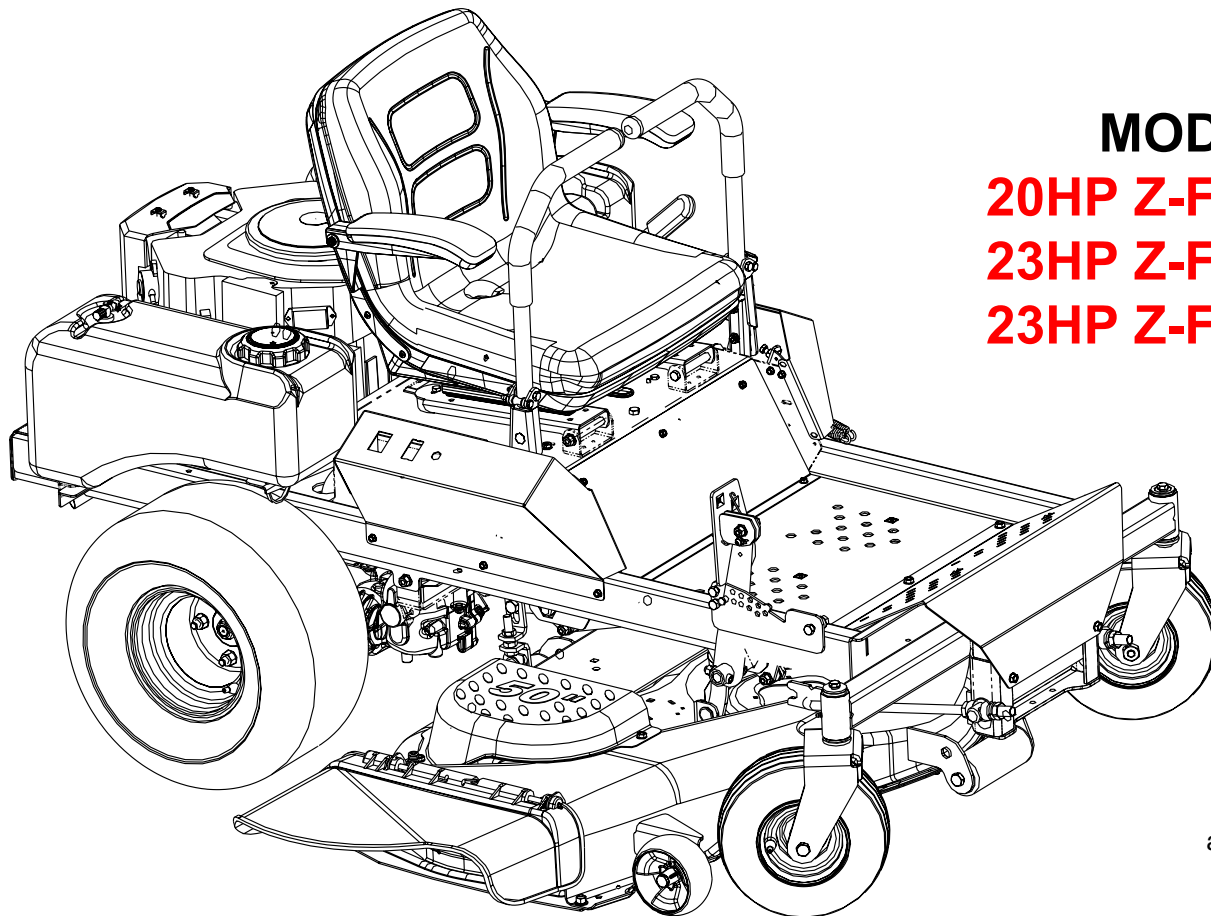




Hydrostatic Zero-Turn Residential Riding Mower

Turf Equipment



MODEL

20HP Z-Force 44
23HP Z-Force 50
23HP Z-Force 60

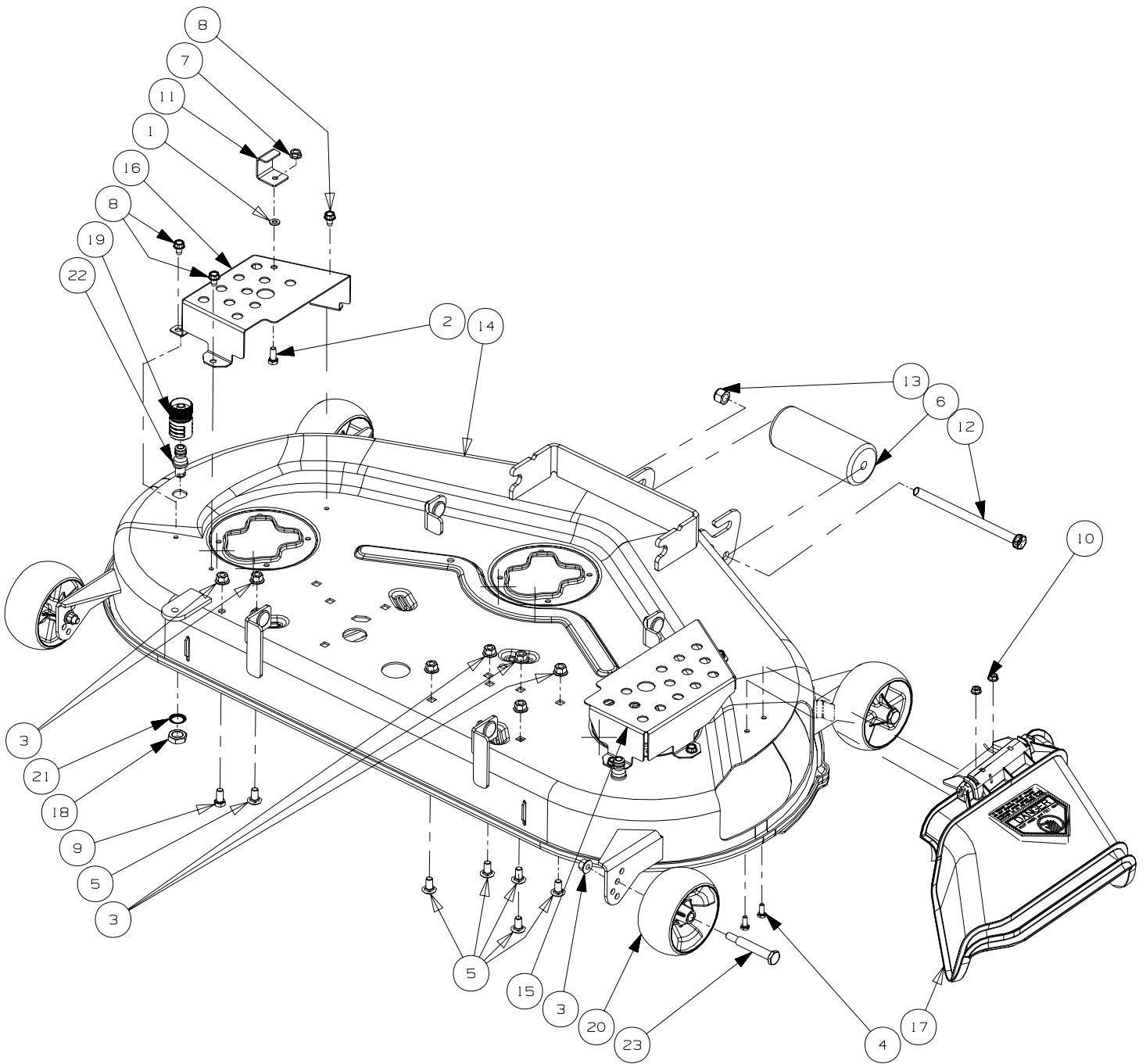
Model Shown is
a 23HP Z-Force 50

ILLUSTRATED PARTS LIST

TABLE OF CONTENTS

Frame Assembly	3
44" Formed Cutter Deck	4 and 5
44" Deck Spindle Assembly	6 and 7
50" Formed Cutter Deck	8 and 9
50" Deck Spindle Assembly	10 and 11
60" Formed Cutter Deck	12 and 13
60" Deck Spindle Assembly	14 and 15
Control Assembly	16
Brake Assembly	17
44" Front Caster & Tire Assembly	18
50" Front Caster & Tire Assembly	19
60" Front Caster & Tire Assembly	20
Steering Assembly	21
Drivetrain Assembly	22
20 HP Kohler Engine Assembly	23
23 HP Kohler Engine Assembly	24
23 HP Kawasaki Engine Assembly	25
Electrical Assembly Kohler	26
Electrical Assembly Kawasaki	27
44" Seat Assembly	28
50" & 60" Seat Assembly	29
Lift Assembly	30
44" Decal Map	31
50" Decal Map	32
60" Decal Map	33

44" Formed Cutter Deck - Figure 2

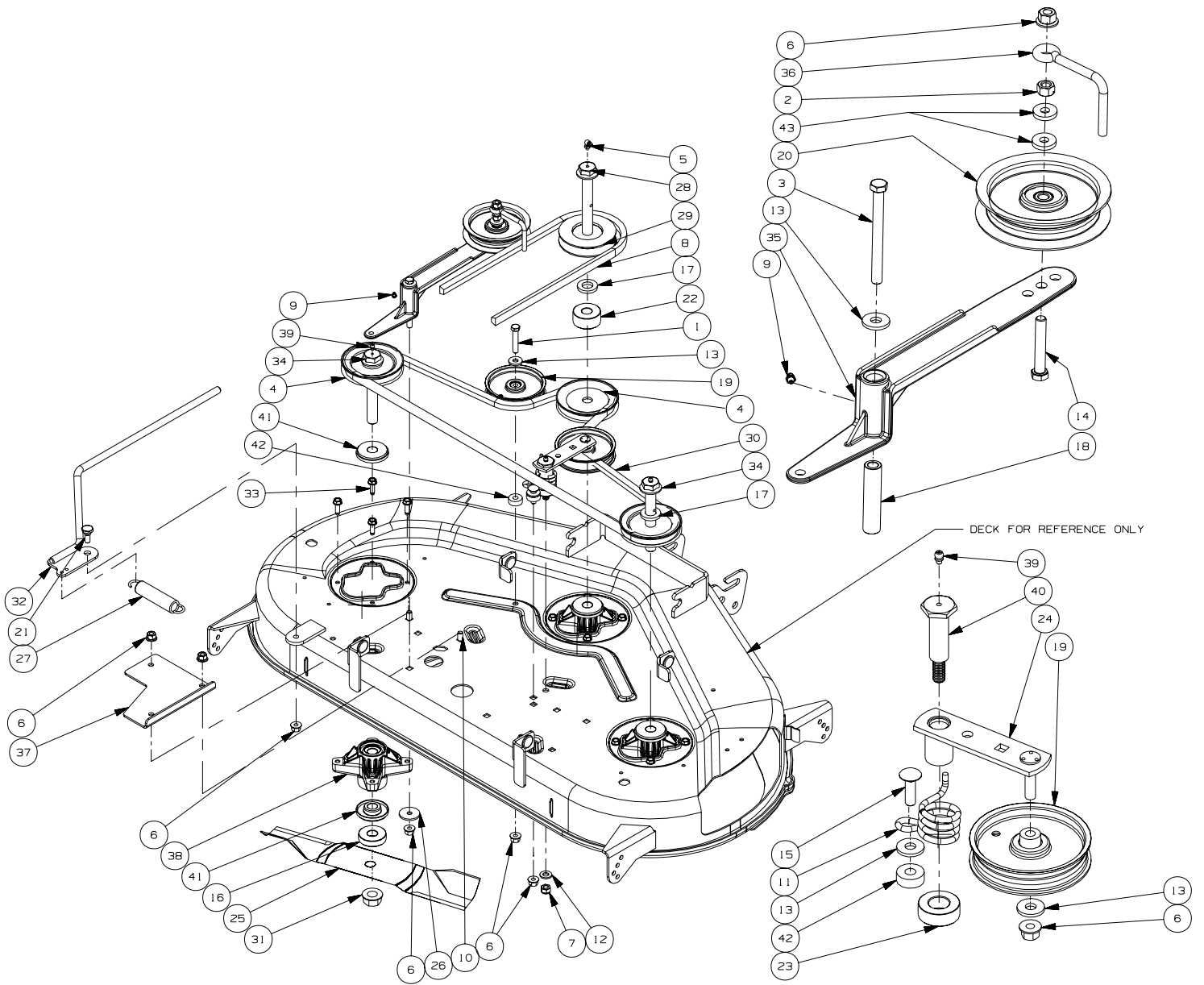


GD: 02003830-03/26/07

44" Formed Cutter Deck - Parts List for Figure 2

Ref. No.	Part No.	Description	Qty.
1	00012169	Flat Washer, 5/16	1
2	00013406	Hex Cap Screw 5/16-18 x .75	1
3	00022560	Hex Nut, 3/8-16, Flange Lock	11
4	01000338	Hex Cap Screw 1/4-20 x .620	2
5	01000372	Carriage Bolt, 3/8-16 x .75	6
6	01000385	Front Roller	1
7	01000635	Lock Nut 5/16-18 Hex Flange	1
8	01008620	Self Tapping Screw 5/16-18 x .750	6
9	01002601	Hex Cap Screw, 3/8-16, .750	1
10	01002766	Nut, 1/4-20, hexflange Lock	2
11	01004109	Tension Rod Stop Bracket	1
12	01006961	HHCS, 1/2-20, 7.50	1
13	02002299	Nut, 1/2-20, Lock	1
14	02003752	Deck Assembly 44"	1
15	02003836	Belt Cover Right Hand	1
16	02003837	Belt Cover Left Hand	1
17	631-0094A	Chute Assembly	1
18	712-0641	Hex Nut, M16-1.5	2
19	721-04041	Water Nozzle Adaptor	1
20	734-04155	Deck Wheel, 5.00 Dia.	4
21	736-0760	Lock Washer, 17 x 23.8 x 1.95	2
22	737-04003B	Deck Water Nozzle	2
23	738-3056	Shoulder Screw .498 x 1.53	4

44" Deck Spindle Assembly - Figure 3

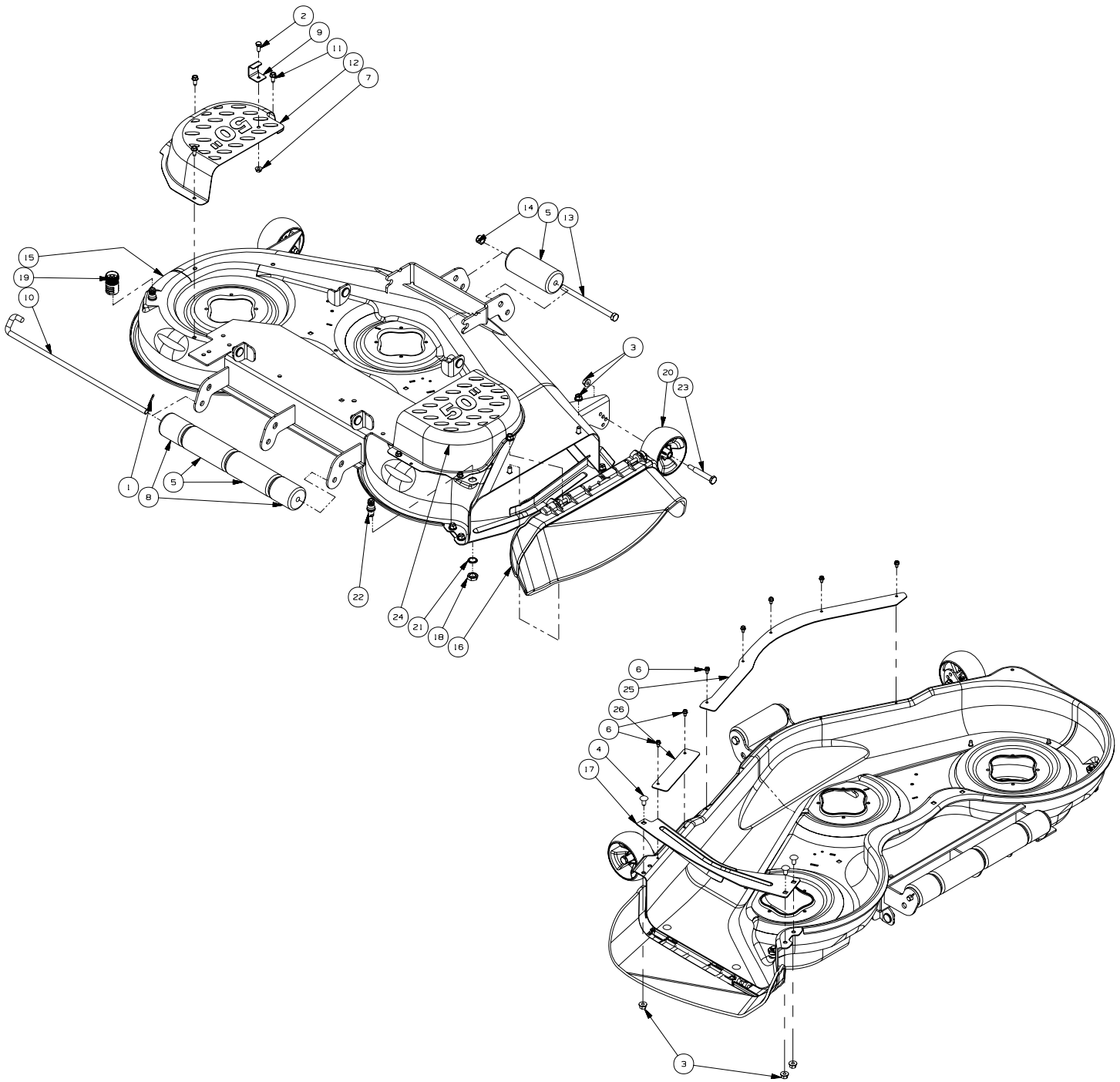


GD: 02003829-04/17/07

44" Deck Spindle Assembly - Parts List for Figure 3

Ref. No.	Part No.	Description	Qty.
1	00002528	Hex Cap Screw 3/8-16 x 2.00	1
2	00006131	Hex Nut 3/8-16	1
3	00011925	Hex Cap Screw, 3/8-16, 4.00	1
4	756-3089	Pulley	3
5	00012226	Grease Fitting, 1/4-28, 90 degree	1
6	00022560	Hex Nut, 3/8-16, Flange Lock	9
7	00027279	Nut 7/16-14, Nylock	1
8	00050441	V-Belt, B-Section	1
9	00060078	Grease Fitting, 1/4-28 x 3/16	1
10	01000372	Carriage Bolt, 3/8-16 x .75	2
11	01000387	Idler Spring	1
12	01000393	Flat Washer, .469 ID x .875 OD x .105	1
13	01000723	Flat Washer, .406 ID x 1.0 OD x .105	4
14	00011861	Hex Cap Screw 3/8-16 x 2.50	1
15	01002010	Carriage Screw, 3/8-16 x 1.25	1
16	01002564	Spacer, .76 ID x 2.00 OD x .477	3
17	01003123	Spacer .812 ID x .218	3
18	01003245	Spacer, .39 ID x .625 OD x 2.75	1
19	01004081	Flat Pulley	2
20	01004101	Idler Pulley, 4.06 OD	1
21	01004118	Shoulder Screw, .50 x .27 Lg., 3/8-16	1
22	01004415	Spacer, .760 ID x 2.000 OD x 1.1	1
23	01008456	Spacer .760 ID x 1.5 OD	1
24	01008593	Idler Arm Assembly	1
25	01008616	Blade	3
26	01009253	Washer, 5/16-18	1
27	01009635	Extension Spring, .98 OD x 5.00	1
28	02000071	Spindle Bolt 3/4-16 x 7.155	1
29	02000079	V-Pulley 4.25 OD Casting	1
30	02000103	V-Belt, A-Section	1
31	02000402	Nut, 3/4-16, Hex Flange	3
32	02000416	Spring Tension Rod Assembly	1
33	02000762	Self Tapping Screw 5/16-18 x 1.0	12
34	02000819	Spindle Bolt 3/4-16 x 5.37	2
35	02001855	Idler Arm Assembly, Top	1
36	02002356	Belt Guide	1
37	02003763	Deck Plate	1
38	618-04426	Spindle Assembly	3
39	737-3000	Grease Fitting	3
40	738-3172	Shoulder Screw .68 x 2.11	1
41	748-3065A	Spindle Spacer	6
42	750-3119	Spacer .406 ID x 1.0 OD	2
43	00083192	Idler Washer	2

50" Formed Cutter Deck - Figure 4



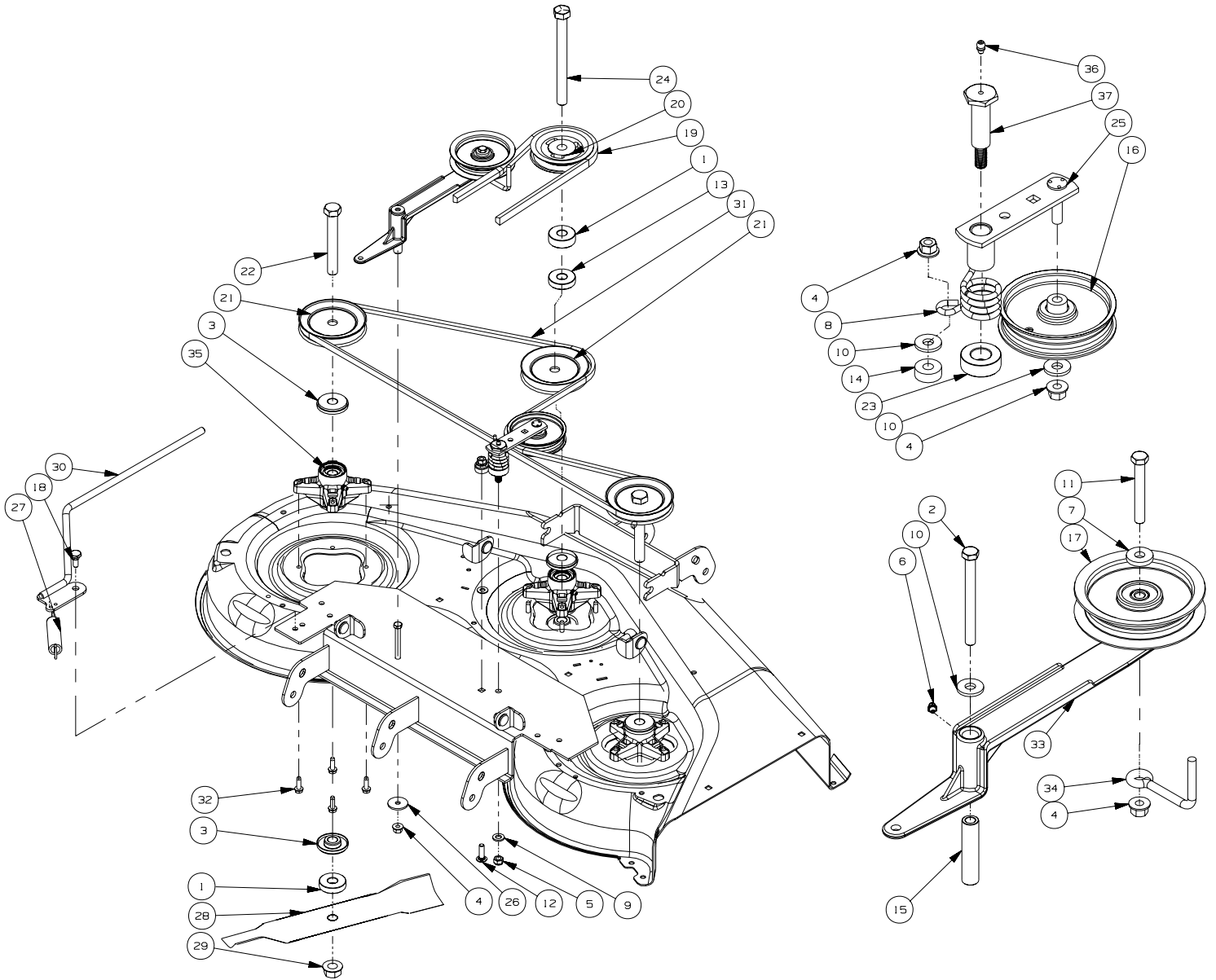
Deck Shown Upside Down

GD: 02002795-03/23/07

50" Formed Cutter Deck - Parts List for Figure 4

Ref. No.	Part No.	Description	Qty.
1	00003107	Cotter Pin .125 Dia x 1.0	1
2	00013406	Hex Cap Screw 5/16-18 x .75	1
3	00022560	Hex Nut, 3/8-16, Flange Lock	7
4	01000372	Carriage Bolt, 3/8-16 x .75	5
5	01000385	Front Roller	3
6	01000628	Screw, 1/4-20 x 1/2	7
7	01000635	Lock Nut 5/16-18 Hex Flange	1
8	01001169	Grass Catcher Roller	2
9	01004109	Tension Rod Stop Bracket	1
10	01004751	Rod, Rear Roller	1
11	01008620	Self Tapping Screw 5/16-18 x .750	6
12	02000465	Belt Cover Left Hand	1
13	01006961	Hex Cap Screw, 1/2-20 x 7.50	1
14	02002299	Nut, 1/2-20, Lock	1
15	02002988	Deck Assembly 50"	1
16	631-0407A	Chute Assembly	1
17	02000831	Finger Guard	1
18	712-0641	Hex Nut, M16-1.5	2
19	721-04041	Water Nozzle Adaptor	1
20	734-04155	Deck Wheel, 5.00 Dia.	2
21	736-0760	Lock Washer, 17 x 23.8 x 1.95	2
22	737-04003B	Deck Water Nozzle	2
23	738-3056	Shoulder Screw .498 x 1.53	2
24	02000467	Belt Cover Right Hand	1
25	02000430	Skirt, Center, 50"	1
26	02000429	Skirt, Right Hand, 50"	1

50" Deck Spindle Assembly - Figure 5

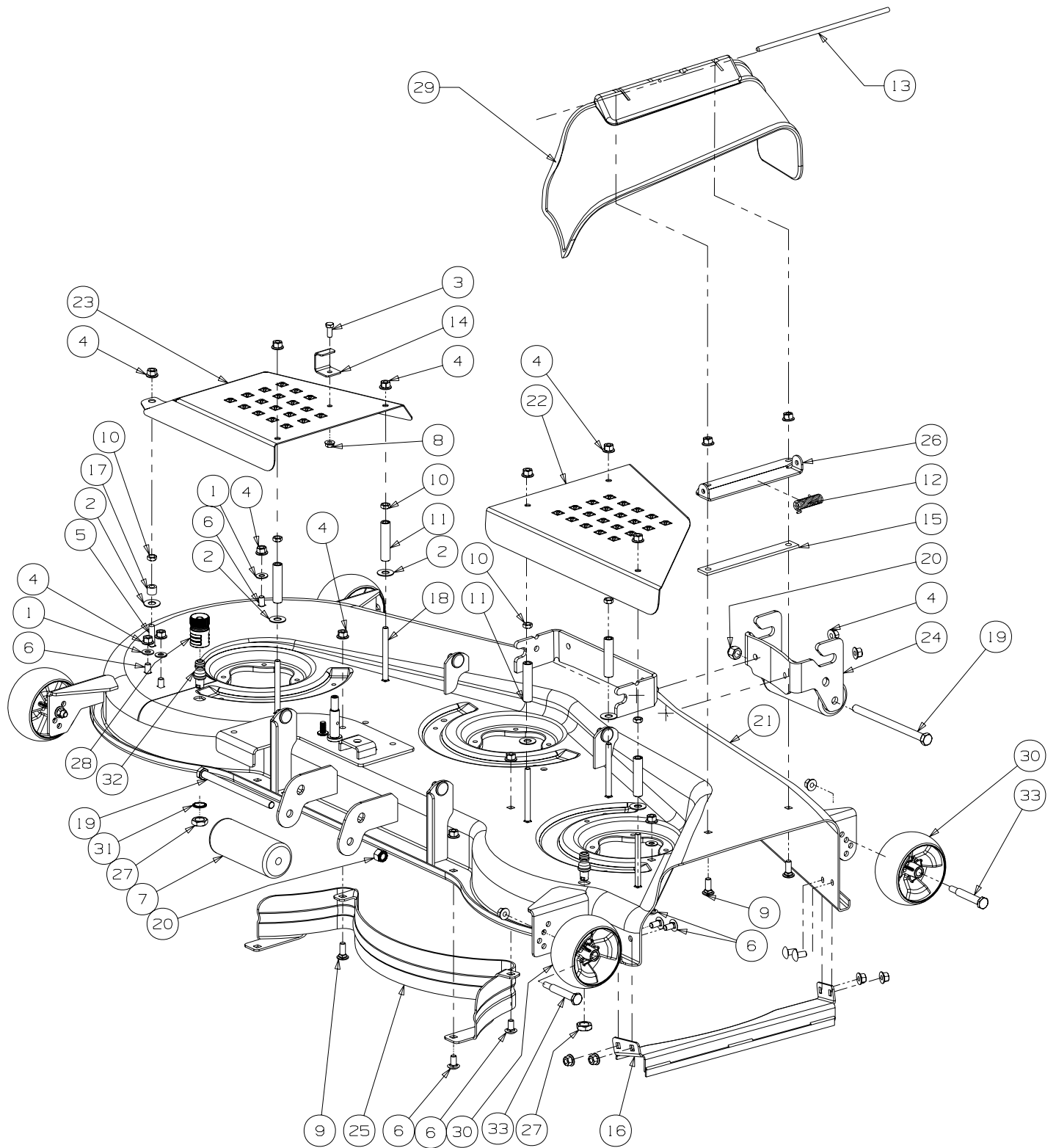


GD: 02002792-03/23/07

50" Deck Spindle Assembly - Parts List for Figure 5

Ref. No.	Part No.	Description	Qty.
1	748-3020	Blade Spacer	4
2	00011925	Hex Cap Screw, 3/8-16, 4.00	1
3	748-3065A	Spindle Spacer	6
4	00022560	Hex Nut, 3/8-16, Flange Lock	5
5	00027279	Nut 7/16-14, Nylock	1
6	00060078	Grease Fitting, 1/4-28 x 3/16	1
7	00083192	Idler Washer	1
8	01000387	Idler Spring	1
9	01000393	Flat Washer, .469 ID x .875 OD x .105	1
10	01000723	Flat Washer, .406 ID x 1.0 OD x .105	3
11	01001366	Hex Cap Screw 3/8-16 x 2.25	1
12	01002010	Carraige Screw, 3/8-16 x 1.25	1
13	01002564	Spacer, .76 ID x 2.00 OD x .477	1
14	750-3119	Spacer .406 ID x 1.0 OD	1
15	01003245	Spacer, .39 ID x .625 OD x 2.75	1
16	01004081	Flat Pulley	1
17	01004101	Idler Pulley, 4.06 OD	1
18	01004118	Shoulder Screw, .50 x .27 Lg., 3/8-16	1
19	01005011	V-Belt, Mower Drive	1
20	01005202	V-Pulley, 4.75 OD	1
21	01006535	V-Pulley, 5.0 OD	3
22	01006590	Hex Cap Screw 3/4-16 x 5.50	2
23	01008456	Spacer .760 ID x 1.5 OD	1
24	01008542	Hex Cap Screw, 3/4-16, 7.50	1
25	01008593	Idler Arm Assembly	1
26	01009253	Washer, 5/16-18	1
27	01009635	Extension Spring, .98 OD x 5.00	1
28	01010168	Hi-Lift Blade, 17.9	3
29	02000402	Nut, 3/4-16, Hex Flange	3
30	02000416	Spring Tension Rod Assembly	1
31	02000653	V-Belt, 1/2 x 90.9 LG	1
32	02000762	Self Tapping Screw 5/16-18 x 1.0	12
33	02001855	Idler Arm Assembly, Top	1
34	02002356	Belt Guide	1
35	618-04426	Spindle Assembly	3
36	737-3000	Grease Fitting	1
37	738-3172	Shoulder Screw .68 x 2.11	1

60" Formed Cutter Deck - Figure 6

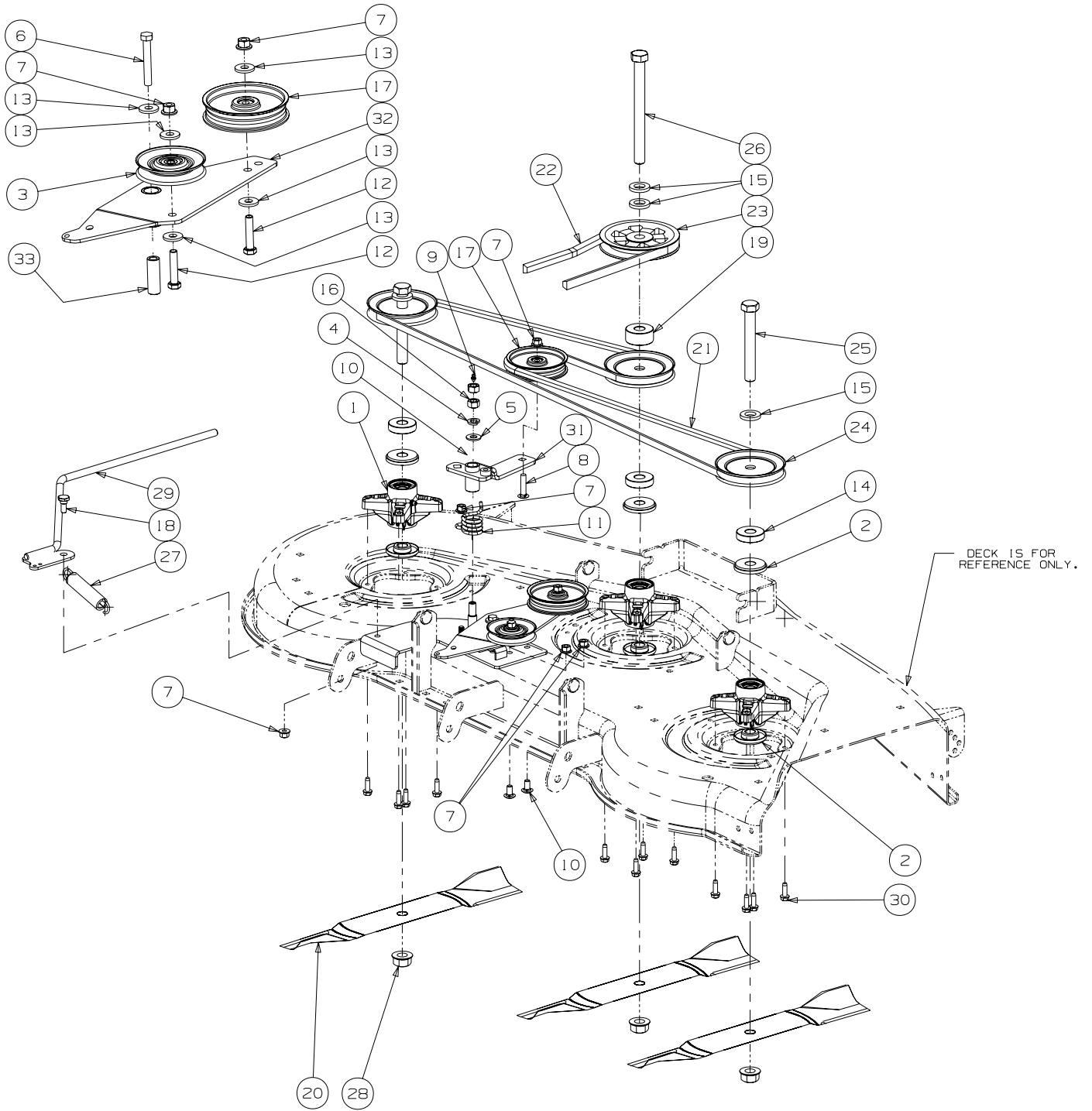


GD: 02003471-03/15/07

60" Formed Cutter Deck - Parts List for Figure 6

Ref. No.	Part No.	Description	Qty.
1	00012158	Flat Washer, 3/8	4
2	00012577	Washer, 1/2 Zinc	6
3	00013406	Hex Cap Screw 5/16-18 x .75	1
4	00022560	Hex Nut, 3/8-16, Flange Lock	25
5	00030276	Hex Carriage Screw, 3/8-16, 1.50	1
6	01000372	Carriage Bolt 3/8-16 x .75	12
7	01000385	Front Roller	2
8	01000635	Lock Nut 5/16-18 Hex Flange	1
9	01000643	Carriage Bolt, 3/8-16 x 1.00	3
10	01002511	Nut, 3/8-16, Jam	6
11	01003245	Spacer, .39 ID x .625 OD x 2.75	5
12	01003253	Torsion Spring	1
13	01003254	Chute Deflector Rod	1
14	01004109	Bracket Stop Tension Rod	1
15	01004864	Strip Spacer, 0.1875 Thick	1
16	01005594	Finger Guard Assembly	1
17	01007312	Spacer, .625 OD x .385 ID x 1/2	1
18	01008049	Carriage Bolt, 3/8-16 x 4.00	5
19	01006961	Hex Cap Screw, 1/2-20 x 7.50	2
20	02002299	Nut, 1/2-20, Lock	2
21	02003090	Deck Assembly 60"	1
22	02003076	Belt Cover 60 Right Hand	1
23	02003078	Belt Cover 60 Left Hand	1
24	01004852	Front Roller Bracket	1
25	01004856	Deck Baffle	1
26	01004857	Chute Deflector Bracket	1
27	712-0641	Hex Nut, M16-1.5	2
28	721-04041	Water Nozzle Adaptor	1
29	731-3257	Chute Deflector	1
30	734-04155	Deck Wheel, 5.00 Dia.	4
31	736-0760	Lock Washer, 17 x 23.8 x 1.9	2
32	737-04003B	Nozzle, Deck Water	2
33	738-3056	Shoulder Screw .498 x 1.53	4

60" Deck Spindle Assembly - Figure 7

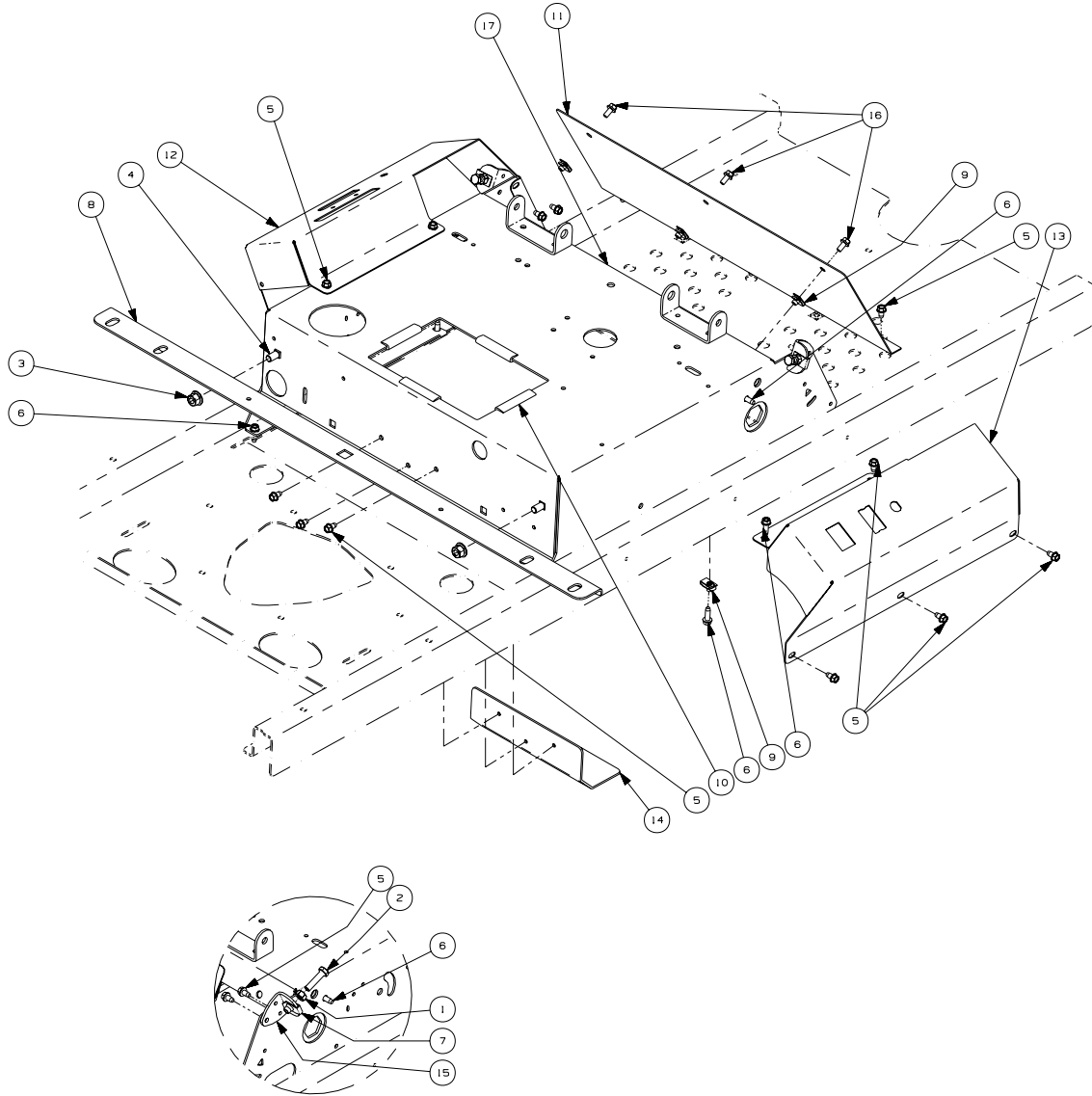


GD: 02003470-03/01/07

60" Deck Spindle Assembly - Parts List for Figure 7

Ref. No.	Part No.	Description	Qty.
1	618-04426	Spindle Assembly	3
2	748-3065A	Spindle Spacer	6
3	756-0399	V-Pulley, 3.50 OD	1
4	00010734	Lock Washer, 1/2	1
5	00010958	Washer, 1/2 Zinc	1
6	00011861	Hex Cap Screw, 3/8-16 x 2.50	1
7	00022560	Hex Nut, 3/8-16, Flange Lock	7
8	00030276	Hex Carriage Screw, 3/8-16, 1.50	1
9	00060078	Grease Fitting, 1/4-28 x 3/16	2
10	01000372	Carriage Bolt 3/8-16 x .75	2
11	01000387	Torsion Idler Spring	1
12	01000512	Hex Cap Screw, 3/8-16 x 1.750	2
13	01000723	Flat Washer, .406 ID, 1.0 OD, .105	5
14	01002564	Spacer, .76 ID x 2.00 OD x .477	3
15	01003123	Spacer .812 ID x .218	4
16	01003607	Hex Nut, 1/2-20	2
17	01004081	Flat Pulley	2
18	01004118	Shoulder Screw, .50x.27 Lg., 3/8-16	1
19	01004415	Spacer, .760 ID x 2.000 OD x 1.1	1
20	01004719	Hi-Lift Blade, 20.5, .756 ID	3
21	01004752	V Belt, A Section x 120.0	1
22	01005011	V Belt, B Section x 83.2	1
23	01005203	V-Pulley, 5.774 OD	1
24	01006535	Pulley, A Sect x 4.90	3
25	01006590	Spindle Bolt 3/4-16 x 5.50	2
26	01008542	Hex Cap Screw, 3/4-16, 7.50	1
27	01009635	Extension Spring, .98 OD x 5.00	1
28	02000402	Flange Hex Nut, 3/4-16	3
29	02000416	Spring Tension Rod Assembly	1
30	02000762	Self Tapping Screw 5/16-18 x 1.00	12
31	02003571	Idler Arm Assembly, Deck Spindle includes:	1
	01000308	Bearing	2
32	02003795	Idler Arm Assembly, Double, includes	1
	01000308	Bearing	2
33	02003640	Spacer, .39 ID x .625 OD x 1.875	1

Control Assembly - Figure 8 and Parts List

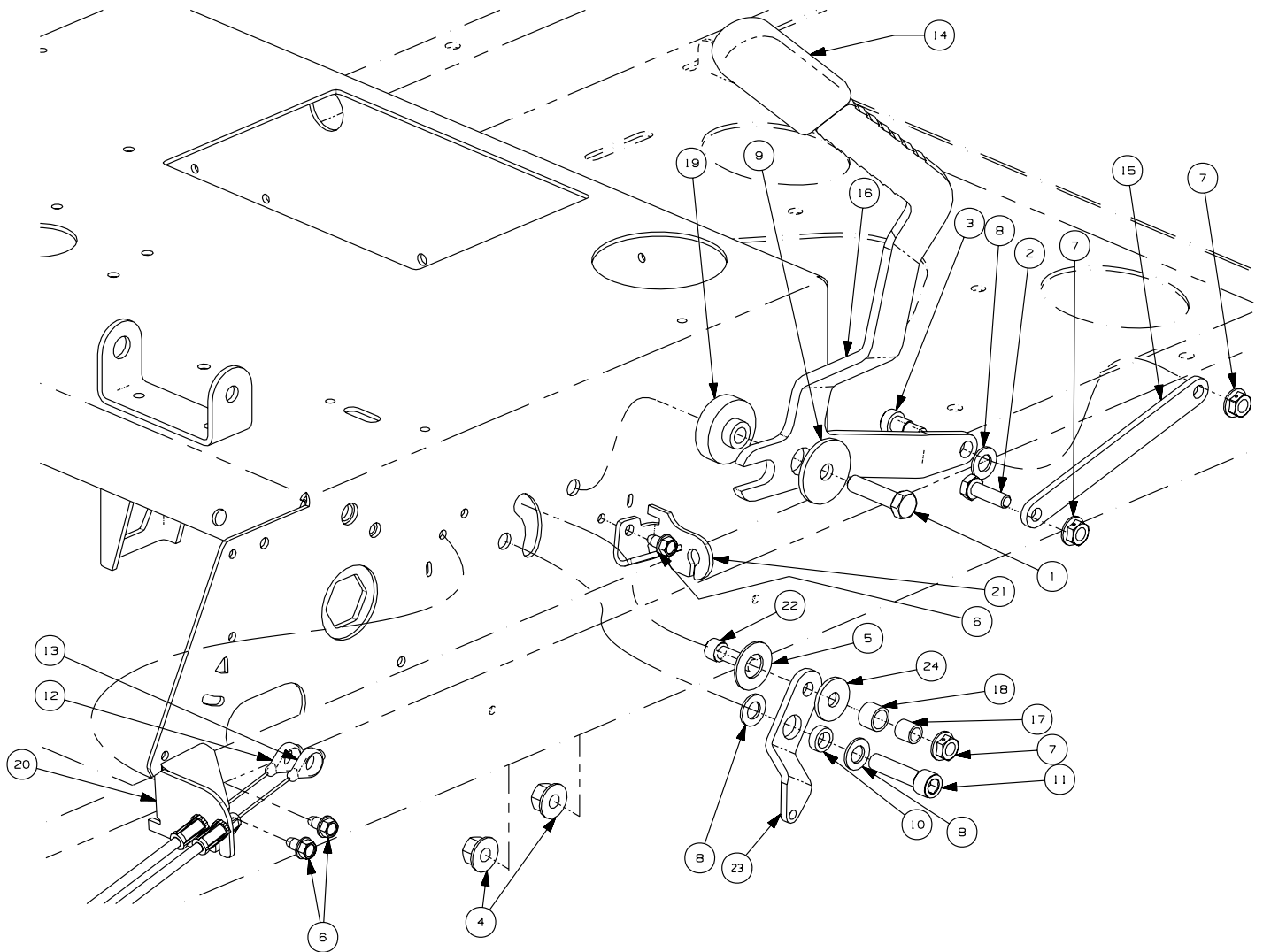


DETAIL A
SCALE 16

GD: 02002756-04/10/07

Ref. No.	Part No.	Description	Qty.
1	00012166	Hex Nut, 5/16-18	2
2	00013116	HHCS, 5/16-18 x 1-1/4	2
3	00022560	Hex Nut, 3/8-16 Flange Lock	2
4	01000372	Carriage Bolt, 3/8-16	2
5	01000628	Screw, 1/4-20 x 1/2	19
6	01000629	Self Tapping Screw, 1/4-20 x .75	7
7	01003563	U-Nut, 5/16-18	2
8	01008491	Front Tank Mounting Bracket	1
9	01008539	U-Nut, 1/4-20	5
10	01008572	Battery Edge Trim	4
11	02002457	Front Panel	1
12	02002741	Left Hand Control Console	1
13	02002742	Right Hand Control Console	1
14	02002745	Battery Bracket	1
15	02002761	Forward/Reverse Stop Bracket	2
	02003812	Screw, 1/4-20 x 1/2	3
17	02004172	Control Housing Weldment	1

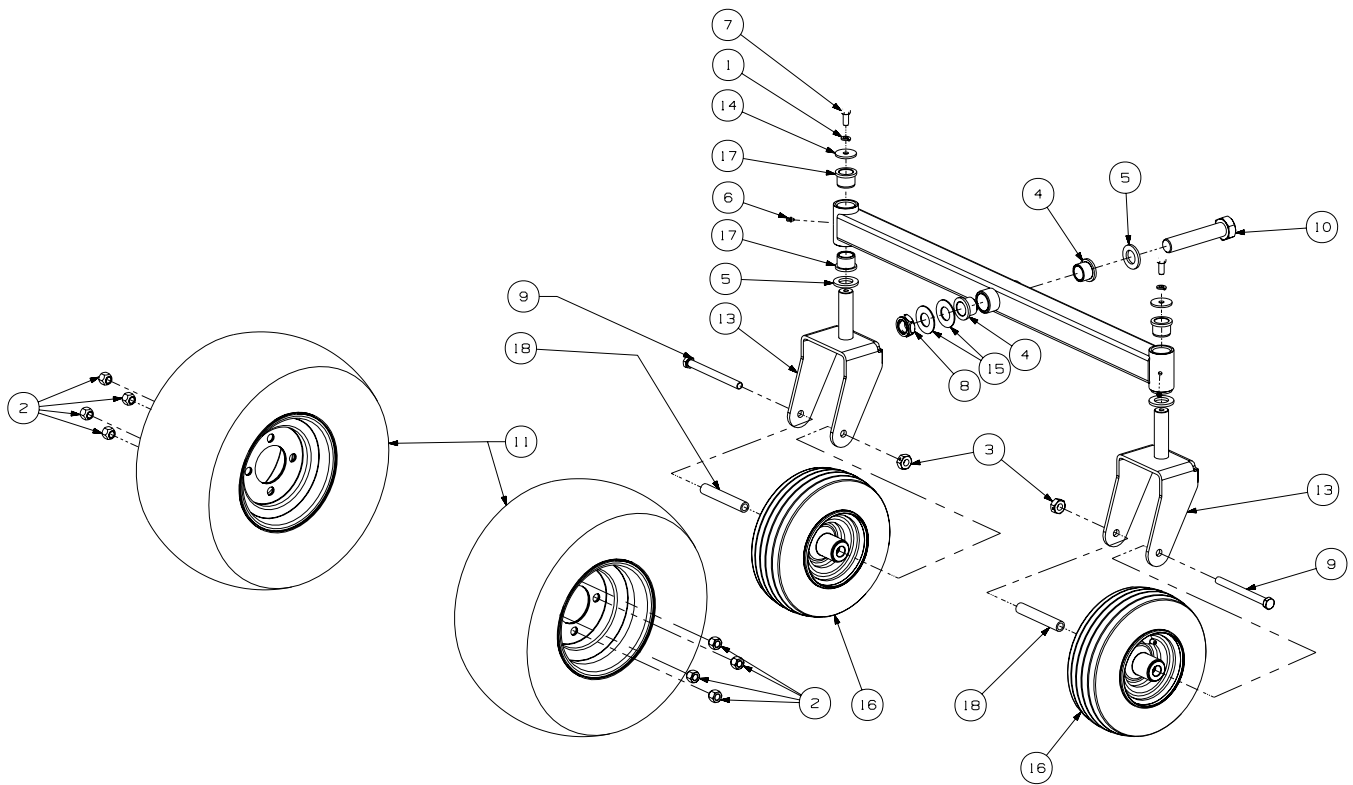
Brake Assembly - Figure 9 and Parts List



GD: 02004047-04/16/07

Ref. No.	Part No.	Description	Qty.	Ref. No.	Part No.	Description	Qty.
1	00010980	Hex Head Cap Screw, 3/8-16 x 1.50	1	13	02003729	Right Hand Brake Cable	1
2	00012180	Hex Head Cap Screw, 5/16-18 x 1.00	1	14	02003740	Parking Brake Grip	1
3	00013733	Shoulder Bolt, 3/8 x 3/8	1	15	02003831	Brake Link Plate	1
4	00022560	Hex Nut, 3/8-16 Flange Lock	2	16	02003832	Brake Handle	1
5	01000101	Slide Washer	1	17	02003839	Spacer, .322 ID x .438 OD x .44	1
6	01000628	Screw, TT, 1/4-20, 0.5, Hex Index Washer	3	18	02003840	Spacer, .442 ID x .563 OD x .405	1
7	01000635	Nut, 5/16-18, Flange Lock	3	19	02004045	Step Hub, .379 x 1.5 x .257/.400	1
8	01002710	Washer, .375 x .738 x .063	3	20	02004122	Brake Cable Mounting Bracket	1
9	01009253	Flat Washer, .390 x 1.5 x .134	1	21	02004123	Brake Cable Mounting Bracket	1
10	02002885	Spacer, .380 x .563 x .196	1	22	02004124	Sockethead Capscrew, 5/16-18 x 1.00	1
11	02003717	Sockethead Capscrew, 3/8-16 x 1.50	1	23	02004174	Lockout Lever Plate	1
12	02003728	Left Hand Brake Cable	1	24	736-3089	Washer, .345 x 1.00 x .100	1

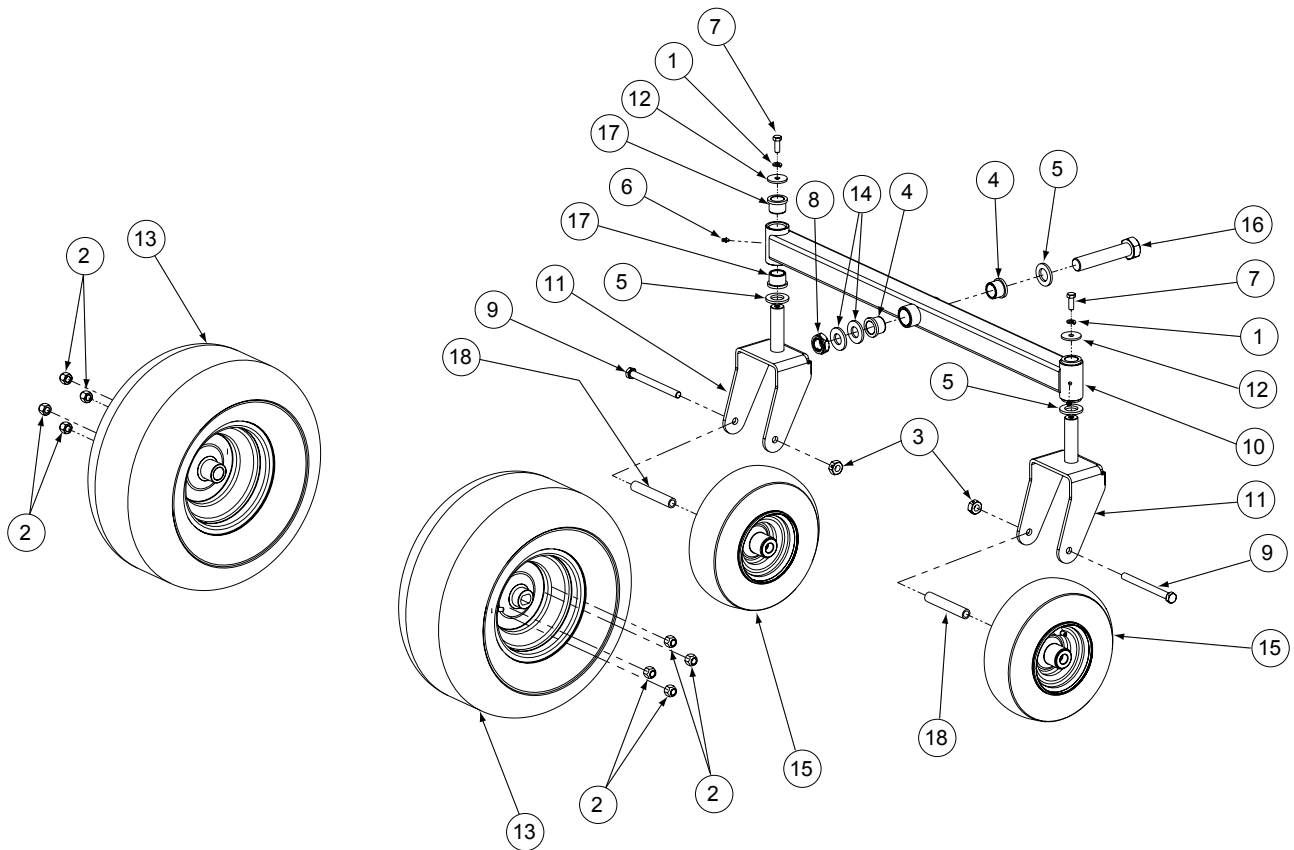
44" Front Caster & Tire Assembly - Figure 10 and Parts List



GD: 02003791-02/19/07

Ref. No.	Part No.	Description	Qty.
1	00012157	Lock Washer, 3/8 Zinc	2
2	00012187	Lug Nut, 1/2-20	8
3	00023287	Nut, 1/2-20, Center Lock	2
4	00023793	Flange Bearing, 1.013 ID	2
5	00023822	Washer Special	3
6	00060078	Grease Fitting, 1/4-28 x 3/16	2
7	01000368	Hex Cap Screw, 3/8-16 x .88	2
8	01000678	Nut Jam, 1.0-14, Nylon Insert	1
9	01000745	Hex Cap Screw, 1/2-20 x 5.50	2
10	01006309	Hex Cap Screw, 1-14 x 5.0	1
11	01008320	Wheel Assembly, 18 x 8.5	2
12	02000616	Front Axle Assembly	1
13	02000613	Castor Wheel Mounting Bracket	2
14	01009253	Flat Washer, .390 x 1.5 x .134	2
15	02000588	Flat Washer, 1.00 ID x 2.25 OD x .075	2
16	02003488	Wheel Assembly, 11 x 4 - 5, Beige	2
17	731-0374	Flange Bearing, 1.0 ID	4
18	750-3197A	Wheel Spacer	2

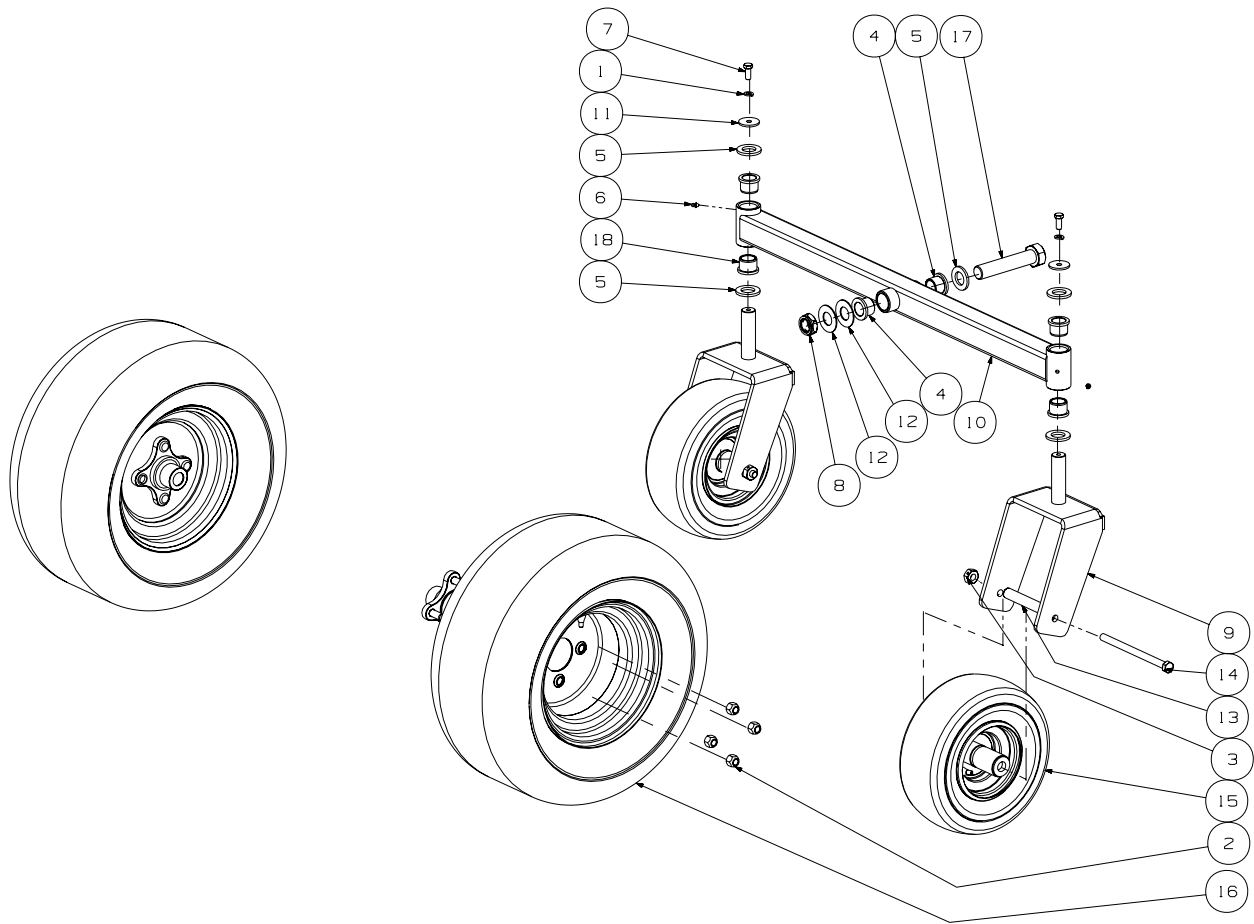
50" Front Caster & Tire Assembly - Figure 11 and Parts List



GD: 02003485-02/19/07

Ref. No.	Part No.	Description	Qty.
1	00012157	Lock Washer, 3/8 Zinc	2
2	00012187	Lug Nut, 1/2-20	8
3	00023287	Nut, 1/2-20, Center Lock	2
4	00023793	Flange Bearing, 1.013 ID	2
5	00023822	Washer Special	3
6	00060078	Grease Fitting, 1/4-28 x 3/16	2
7	01000368	Hex Cap Screw, 3/8-16 x .88	2
8	01000678	Nut Jam, 1.0-14, Nylon Insert	1
9	01000745	Hex Cap Screw, 1/2-20 x 5.50	2
10	02000616	Front Axle Assembly	1
11	02000613	Castor Wheel Mounting Bracket	2
12	01009253	Flat Washer, .390 x 1.5 x .134	2
13	01009828	Wheel Assembly, 18 x 9.5	2
14	02000588	Flat Washer, 1.00 ID x 2.25 OD x .075	2
15	02003488	Wheel Assembly, 11 x 4 - 5, Beige	2
16	02003804	Hex Cap Screw, 1-14 x 5.5	1
17	731-0374	Flange Bearing, 1.0 ID	4
18	750-3197A	Wheel Spacer	2

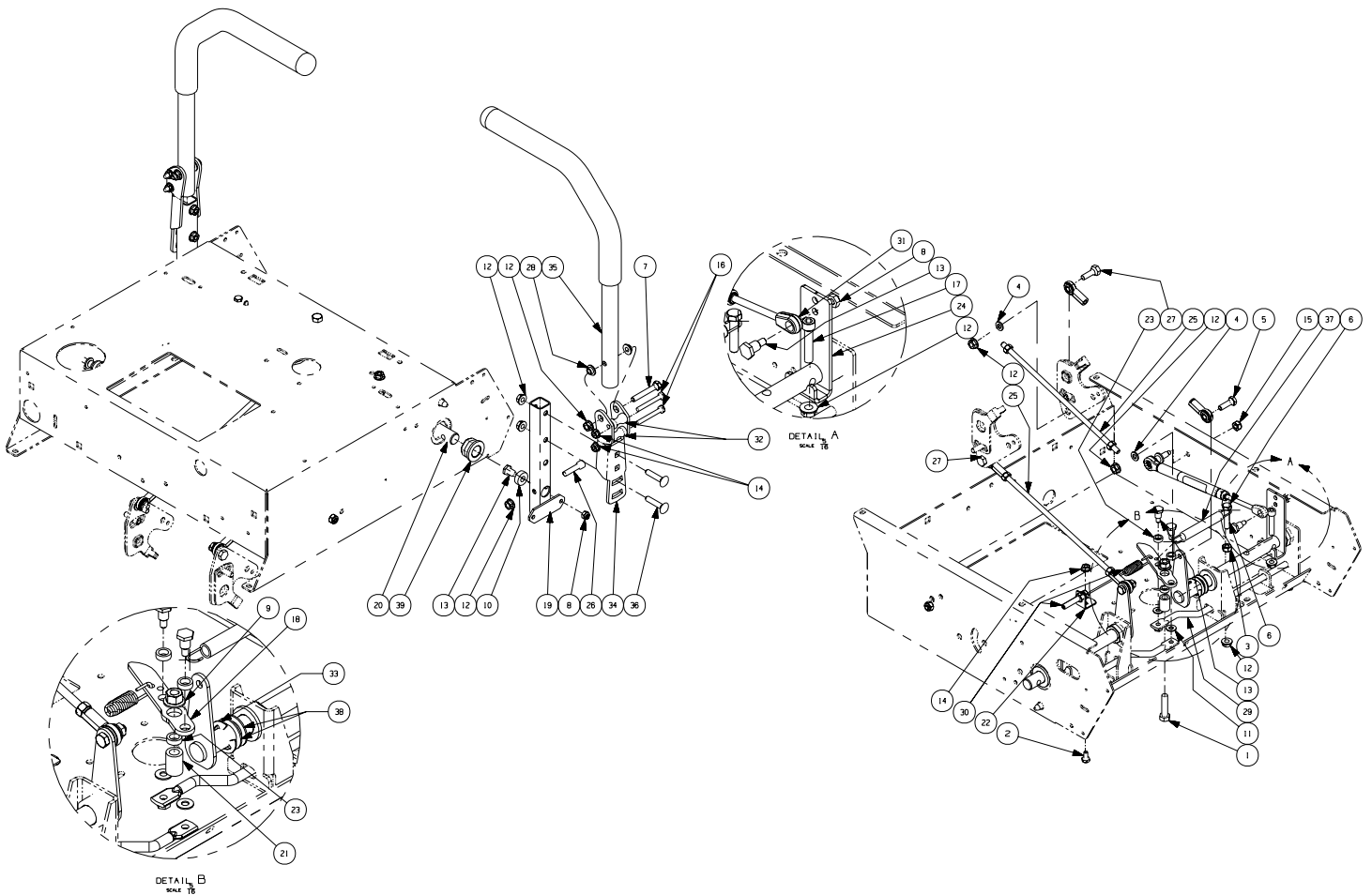
60" Front Caster & Tire Assembly - Figure 12 and Parts List



GD: 02003486-03/19/07

Ref. No.	Part No.	Description	Qty.
1	00012157	Lock Washer, 3/8 Zinc	2
2	00012187	Lug Nut, 1/2-20	8
3	02002299	Lock Nut, Nylon insert, 1/2-20	2
4	00023793	Flange Bearing, 1.013 ID	2
5	00023822	Washer Special	5
6	00060078	Grease Fitting, 1/4-28 x 3/16	2
7	01000368	Hex Cap Screw, 3/8-16 x .88	2
8	01000678	Nut Jam, 1.0-14, Nylon Insert	1
9	01007364	Castor Wheel Mounting Bracket	2
10	02000616	Front Axle Assembly	1
11	01009253	Flat Washer, .390 x 1.5 x .134	2
12	02000588	Flat Washer, 1.00 ID x 2.25 OD x .075	2
13	02002153	Spacer, .54 ID x .75 OD x 5.925 Lg	2
14	01006961	Hex Cap Screw, 1/2-20 x 7.50	2
15	02002956	Wheel Assembly 11 x 6.00 - 5, Beige	2
16	02003490	WHeel Assembly 20 x 10.00 - 10	2
17	02003804	Hex Cap Screw, 1-14 x 5.5	1
18	731-0374	Flange Bearing, 1.0 ID	4

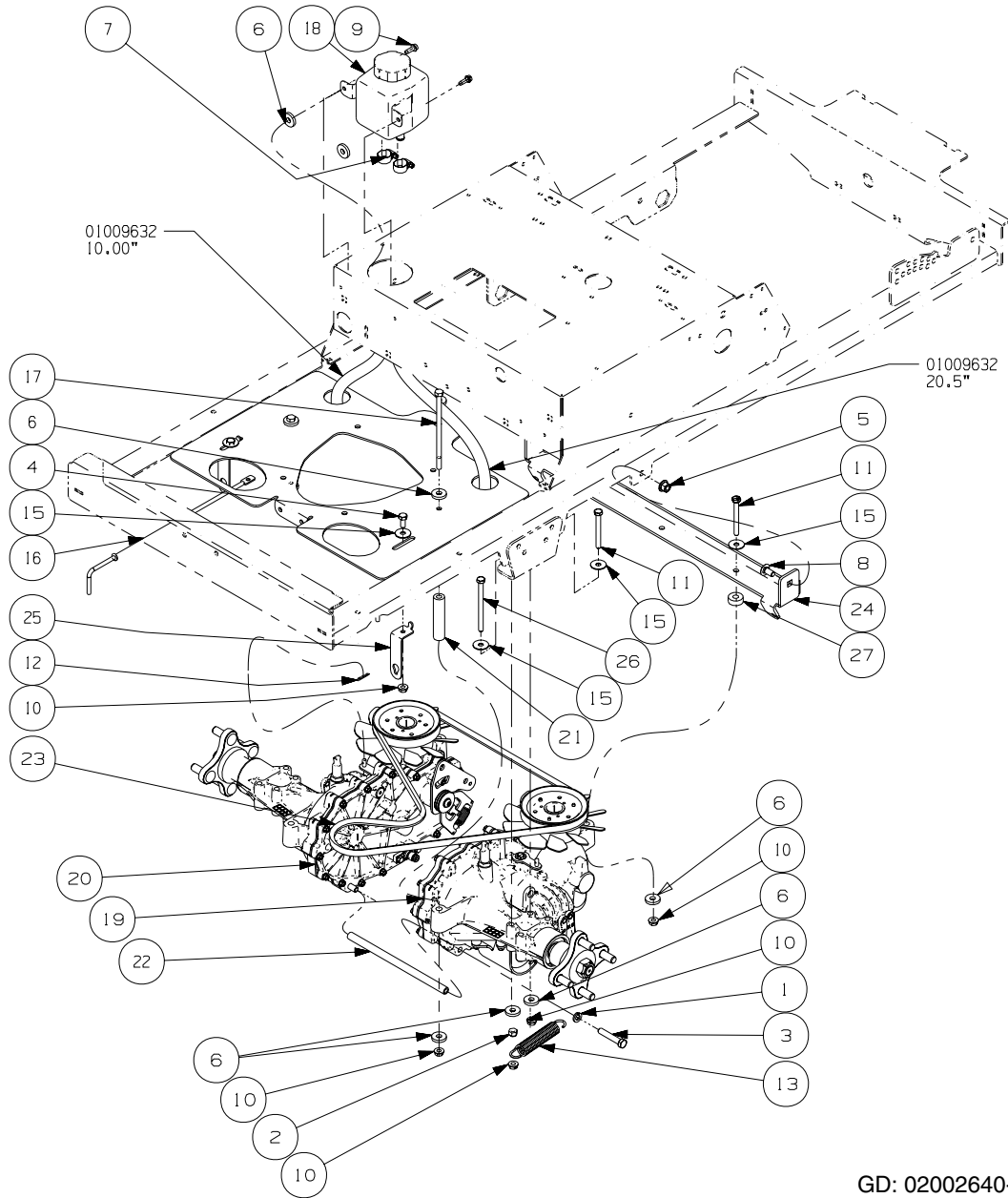
Steering Assembly -Figure 13 and Parts List



GD: 02002680-04/10/07

Ref. No.	Part No.	Description	Qty.	Ref. No.	Part No.	Description	Qty.
1	00011438	Hex Cap Screw, 3/8-16 x 1-1/2	1	22	02002864	Brake Cable Mounting Bracket	1
2	00012133	Hex Cap Screw, 1/4-20 x 1/2	1	23	02002885	Spacer, .380 x .563 x .196	3
3	00012166	Hex Nut, 5/16-18	1	24	02002908	Damper Mounting Bracket	2
4	00012169	Flat Washer, 5/16	4	25	02002992	Steering Link Rod	2
5	00012180	Hex Head Cap Screw, 5/16-18 x 1.00	2	26	02002994	Socket Head Capscrew, 5/16-18 x 1.25	2
6	00012382	Hex Cap Screw, 5/16-18 x 1-1/2	1	27	02003041	Shoulder Bolt, .4375 x .1345 x 1.00	2
7	00013198	Hex Cap Screw, 5/16-18 x 2.00	2	28	02003419	Bushing, .310 x .172 x .688 x .06	4
8	00014081	Nut, 1/4-28, SS, Nylon Insert	4	29	02003560	Control Lock Rod	2
9	00022560	Nut, Flange Lock, 3/8-16	1	30	02003568	Control Cable Lock Out	1
10	00071691	Control Rod Spacer	2	31	02003622	Cylinder Return to Neutral	2
11	01000600	Flat Washer, 1.4 x .630 x .0515	2	32	02003644	Spacer, .25 ID x .38 OD x 1.13	4
12	01000635	Nut, 5/16-18, Lock	15	33	02003716	Retainer Ring, E-Clip	2
13	01001919	Shoulder Screw, 1/4-28	6	34	02003854	Lapbar Pivot Bracket	2
14	01002766	Nut, 1/4-20, Hex Flange Lock Nut	6	35	02003855	Lapbar Assembly includes:	2
15	01003561	Nut, Hex, Center Lock, M8	2		02003857	Control Handle Pivot Tube	
16	01006898	Hex Cap Screw, 1/4-20 x 2.00	4		02002662	Grip, 1.0	
17	01008600	Capscrew, 5/16-18 x 1.50, Socket Head	2	36	710-0262	Carriage Bolt, 5/16-18 x 1.50	4
18	02002684	Brake Lever Plate	1	37	732-0470A	Extension Spring, .53 OD x 4.7	1
19	02002688	Pivot Bracket Weldment	2	38	736-0287	Flat Washer, .793 ID x 1.24 OD x .060	4
20	02002723	Steering Input Shaft Assembly	2	39	741-0598	Hex Flange Bearing, .752 ID	4
21	02002844	Spacer, .385 ID x .625 OD x .869	1				

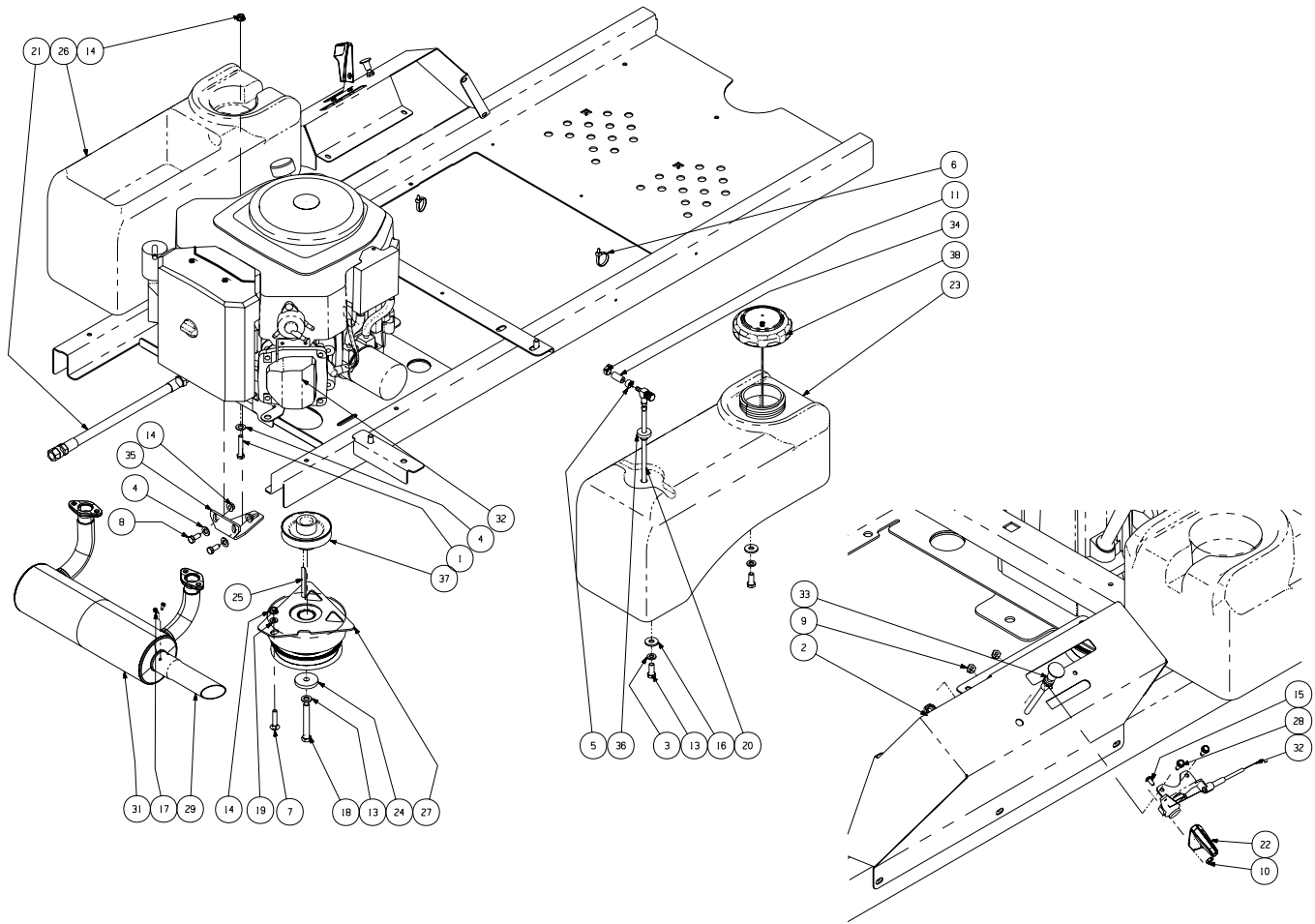
Drive Train Assembly- Figure 14 and Parts List



GD: 02002640-02/05/07

Ref. No.	Part No.	Description	Qty.	Ref. No.	Part No.	Description	Qty.
1	00012157	Lock Washer, 3/8 Zinc	2	16	02001332	Pump Rod	2
2	00012165	Nylock Nut, 5/16-18	2	17	02001556	Hex Cap Screw, 5/16-18 x 6.00	2
3	00012172	Hex Cap Screw, 3/8-16 x 2.00	2	18	02001578	Hydraulic Tank	1
4	00012179	Hex Cap Screw, 5/16-18 x 3/4	2	19	02002175	IZT Transmission, Right Hand	1
5	00022560	Nut, Flange Lock, 3/8-16	2		02002150	Filter	1
6	00083192	Idler Washer	12	20	02002176	IZT Transmission, Left Hand	1
7	02001111	Hose Clamp	4		02002150	Filter	1
8	01000372	Carriage Bolt, 3/8-16	2	21	02002646	Spacer, .375 ID x .75 OD x 3.30	2
9	01000629	Self Tapping Screw, 1/4-20 x .75	2	22	02002647	Transmission Support Tube	1
10	01000635	Nut, Lock, HexFlange, 5/16-18	10	23	02002648	V-Belt, 58.4	1
11	01001972	Hex Cap Screw, 5/16-18 x 2.75	4	24	02002978	Transmission Front Mounting Bracket	1
12	01002771	Cotter Pin, .072 x 1.12 Lg	2	25	02002966	Neutral Bracket	2
13	01002874	Extension Spring, .865 OD x 4.68 Long	2	26	02002974	Bolt, 5/16-18 x 4.00	2
14	--	Fuel Hose, .50 ID x .75 OD (in inches)	30.5	27	750-3119	Spacer .406 ID x 1.0 OD	2
15	01009937	Washer, 5/16 x 1.06	8				

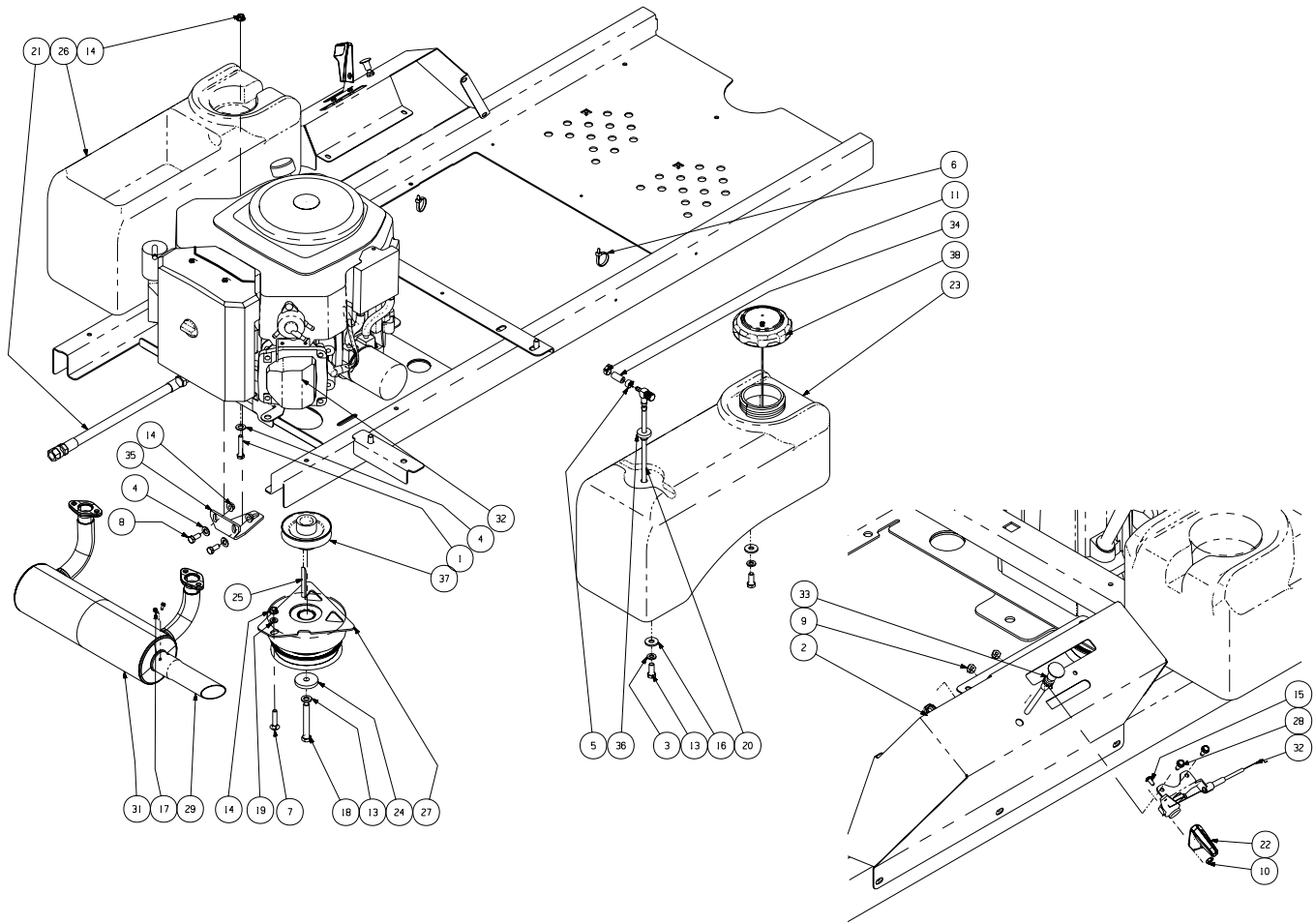
20HP Kohler Engine Assembly - Figure 15 and Parts List



GD: 02003792-03/16/07

Ref No	Part No.	Description	Qty.	Ref No	Part No.	Description	Qty.
1	00006129	Hex Head Cap Screw, 5/16-18 x 1-3/4	4	20	01003116	Fuel Pickup Fitting	1
2	00011453	Hex Jam Nut, 3/8-24	1	21	01003283	Oil Drain Extension Hose	1
3	00012157	Lock Washer, 3/8 Zinc	8	22	01004004	Throttle Control Knob	1
4	00012169	Flat Washer, 5/16	6	23	01004350	Fuel Tank	1
5	00012235	Clamp, Union	1	24	01005314	Flat Washer, 7/16 ID x 1.75 OD x .250	1
6	00012470	Cable Tie, 3/16 x .05 x 7.4	2	25	01007533	Key, 1/4 x 1/4 x 2.75	1
7	710-0262	Carriage Bolt, 5/16-18 x 1.50	1	26	01008138	Utility Bin	1
8	00013406	Hex Cap Screw, 5/16-18 x .75	2	27	01008434	Ogura DX11 Electric Clutch	1
9	00014608	Lock Nut, Nylon Insert, 10-32	2	28	01008531	Screw, #10-32 x 0.500	2
10	00060056	Nut, w/ Star Washer	1	29	01008623	Exhaust Pipe	1
11	01000215	Hose Clam, 1/4-5/8, SS	1	30	02000426	20HP Kohler Engine	1
12	01000368	Hex Cap Screw, 3/8-16 x .88	8	31	02000456	Kohler Muffler	1
13	01000389	Lock Washer, 7/16	1	32	02000477	Throttle Control Cable	1
14	01000635	Lock Nut, Hex Flange, 5/16-18	7	33	02000478	Choke Cable	1
15	01000721	Machine Screw, 8-32 x .375	1	34	--	Hose, 1/4" Fuel Line	1
16	00083192	Flat Washer, .390 ID x 1.0 OD x .180	8	35	02001994	Clutch Retainer Assembly	1
17	01000811	Screw, 8-32 x .375, Hex Washer	2	36	02002253	Fuel Tank Grommet	1
18	01000813	Hex Cap Screw, 7/16-20 x 3.0	1	37	02003417	Transmission Drive Pulley	1
19	01002710	Washer, 3/8 x .738 x .063	1	38	02003809	Fuel Cap	1

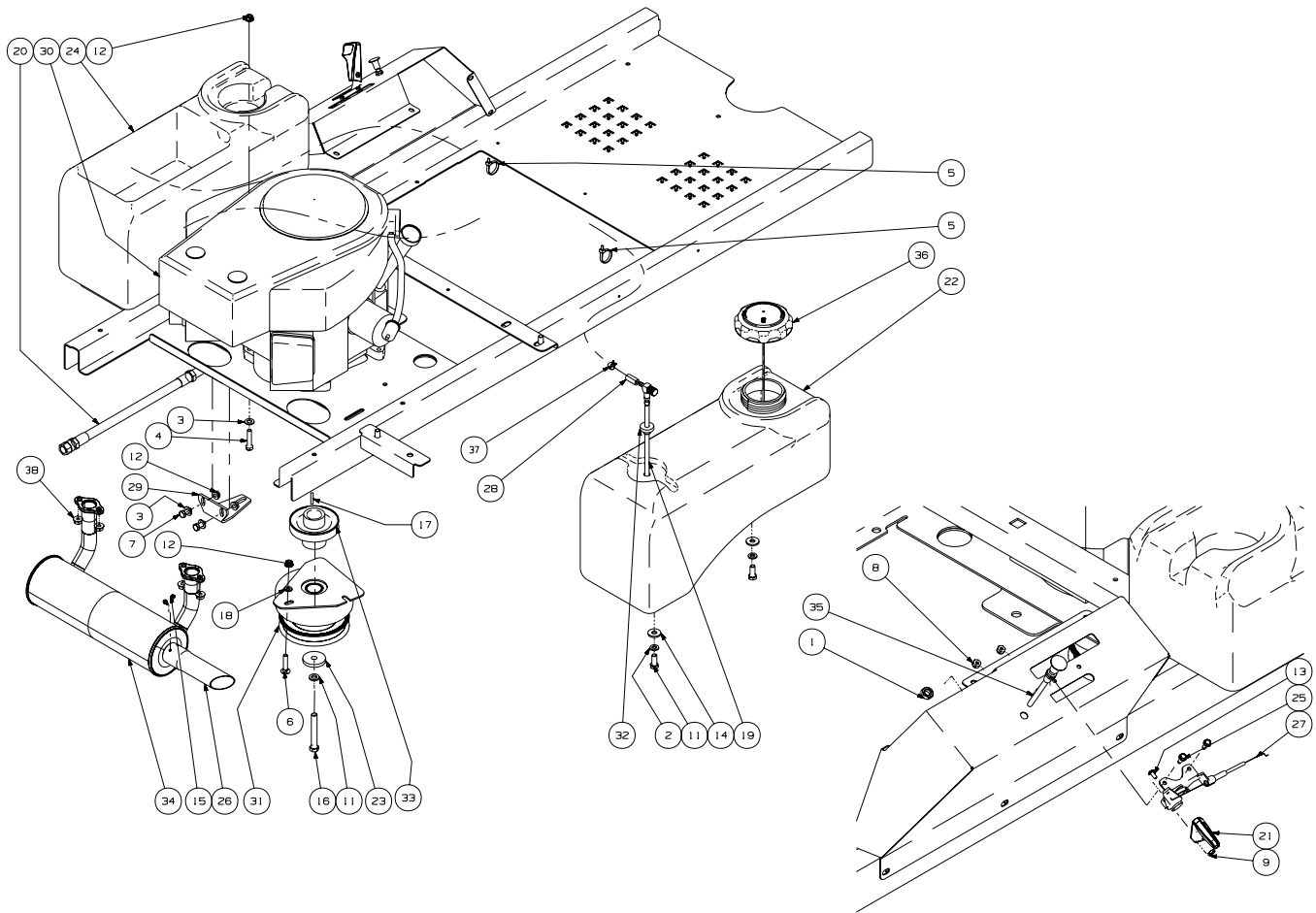
23HP Kohler Engine Assembly - Figure 16 and Parts List



GD: 02002759-03/29/07

Ref No	Part No.	Description	Qty.	Ref No	Part No.	Description	Qty.
1	00006129	Hex Head Cap Screw, 5/16-18 x 1-3/4	4	20	01003116	Fuel Pickup Fitting	1
2	00011453	Hex Jam Nut, 3/8-24	1	21	01003283	Oil Drain Extension Hose	1
3	00012157	Lock Washer, 3/8 Zinc	8	22	01004004	Throttle Control Knob	1
4	00012169	Flat Washer, 5/16	6	23	01004350	Fuel Tank	1
5	00012235	Clamp, Union	1	24	01005314	Flat Washer, 7/16 ID x 1.75 OD x .250	1
6	00012470	Cable Tie, 3/16 x .05 x 7.4	2	25	01007533	Key, 1/4 x 1/4 x 2.75	1
7	710-0262	Carriage Bolt, 5/16-18 x 1.50	1	26	01008138	Utility Bin	1
8	00013406	Hex Cap Screw, 5/16-18 x .75	2	27	01008434	Ogura DX11 Electric Clutch	1
9	00014608	Lock Nut, Nylon Insert, 10-32	2	28	01008531	Screw, #10-32 x 0.500	2
10	00060056	Nut, w/ Star Washer	1	29	01008623	Exhaust Pipe	1
11	01000215	Hose Clam, 1/4-5/8, SS	1	30	02000427	23HP Kohler Engine	1
12	01000368	Hex Cap Screw, 3/8-16 x .88	8	31	02000456	Kohler Muffler	1
13	01000389	Lock Washer, 7/16	1	32	02000477	Throttle Control Cable	1
14	01000635	Lock Nut, Hex Flange, 5/16-18	7	33	02000478	Choke Cable	1
15	01000721	Machine Screw, 8-32 x .375	1	34	--	Hose, 1/4" Fuel Line	1
16	00083192	Flat Washer, .390 ID x 1.0 OD x .180	8	35	02001994	Clutch Retainer Assembly	1
17	01000811	Screw, 8-32 x .375, Hex Washer	2	36	02002253	Fuel Tank Grommet	1
18	01000813	Hex Cap Screw, 7/16-20 x 3.0	1	37	02003417	Transmission Drive Pulley	1
19	01002710	Washer, 3/8 x .738 x .063	1	38	02003809	Fuel Cap	1

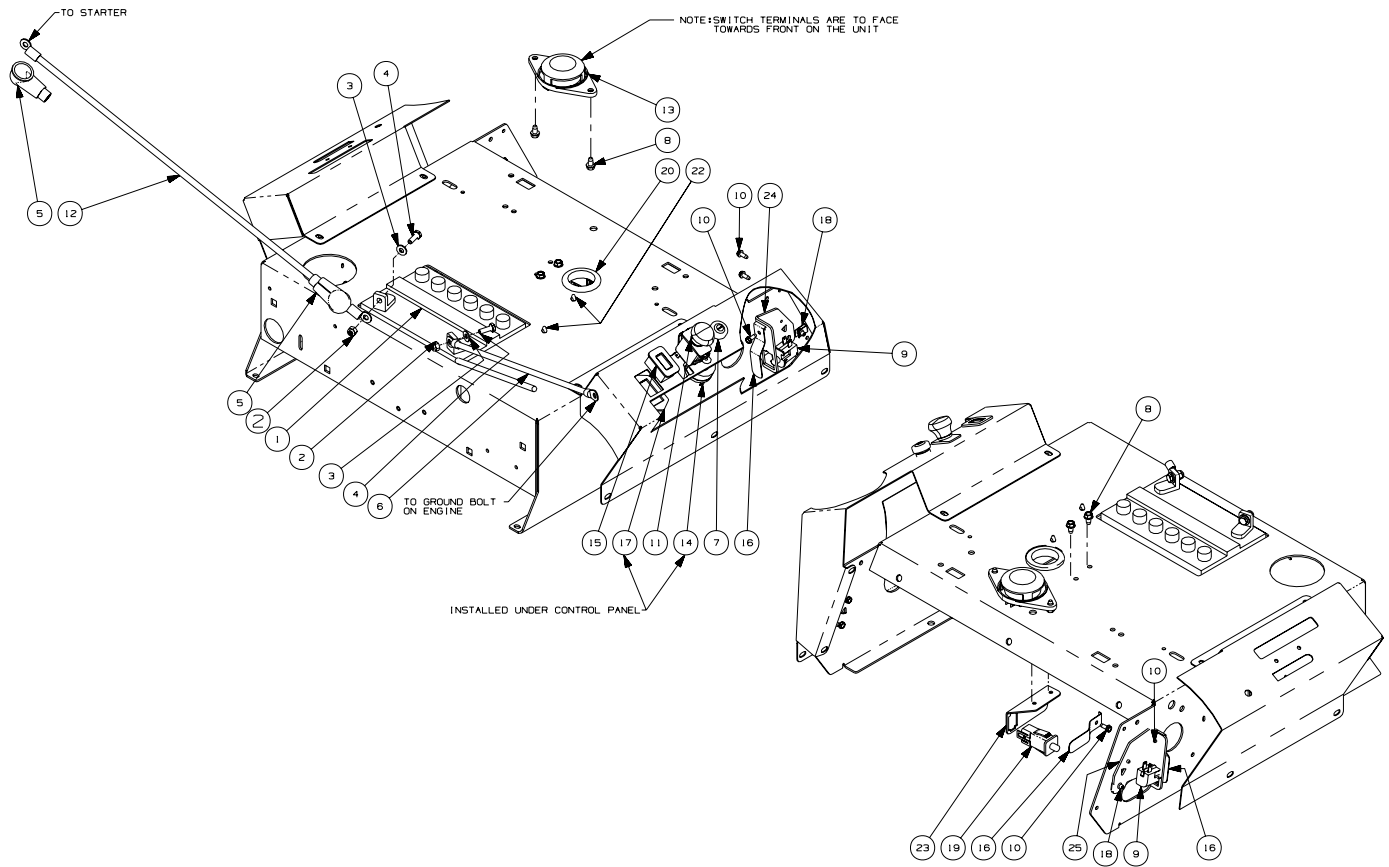
23HP Kawasaki Engine Assembly - Figure 17 and Parts List



GD: 02003769-04/12/07

Ref No	Part No.	Description	Qty.	Ref No	Part No.	Description	Qty.
1	00011453	Hex Jam Nut, 3/8-24	1	20	01003283	Oil Drain Extension Hose	1
2	00012157	Lock Washer, 3/8 Zinc	8	21	01004004	Throttle Control Knob	1
3	00012169	Flat Washer, 5/16	6	22	01004350	Fuel Tank	1
4	00006129	Hex Cap Screw, 5/16-18 x 1-3/4	4	23	01005314	Flat Washer, 7/16 ID x 1.75 OD x .250	1
5	00012470	Cable Tie, 3/16 x .05 x 7.4	2	24	01008138	Utility Bin	1
6	710-0262	Carriage Bolt, 5/16-18 x 1.50	1	25	01008531	Screw, #10-32 x 0.500	2
7	00013406	Hex Cap Screw, 5/16-18 x .75	2	26	01008623	Exhaust Pipe	1
8	00014608	Lock Nut, Nylon Insert, 10-32	2	27	02000477	Throttle Control Cable	1
9	00060056	Nut, w/ Star Washer	1	28	--	Hose, 1/4" Fuel Line	1
10	01000368	Hex Cap Screw, 3/8-16 x .88	8	29	02001994	Clutch Retainer Assembly	1
11	01000389	Lock Washer, 7/16	1	30	02001993	23HP Kawasaki Engine	1
12	01000635	Lock Nut, Hex Flange, 5/16-18	7	31	02002160	Electric Clutch	1
13	01000721	Machine Screw, 8-32 x .375	1	32	02002253	Fuel Tank Grommet	1
14	00083192	Flat Washer, .390 ID x 1.0 OD x .180	8	33	02003418	Transmission Drive Pulley	1
15	01000811	Screw, 8-32 x .375, Hex Washer	2	34	02003472	Kawasaki Muffler	1
16	01000813	Hex Cap Screw, 7/16-20 x 3.00	1	35	02003479	Choke Cable	1
17	00021517	Key, .25 x .25 x 2.00	1	36	02003809	Fuel Cap	1
18	01002710	Washer, 3/8 x .738 x .063	1	37	01000215	Hose Clamp	1
19	01003116	Fuel Pickup Fitting	1	38	02003984	Nut, M8-1.25, Hex Flange	4

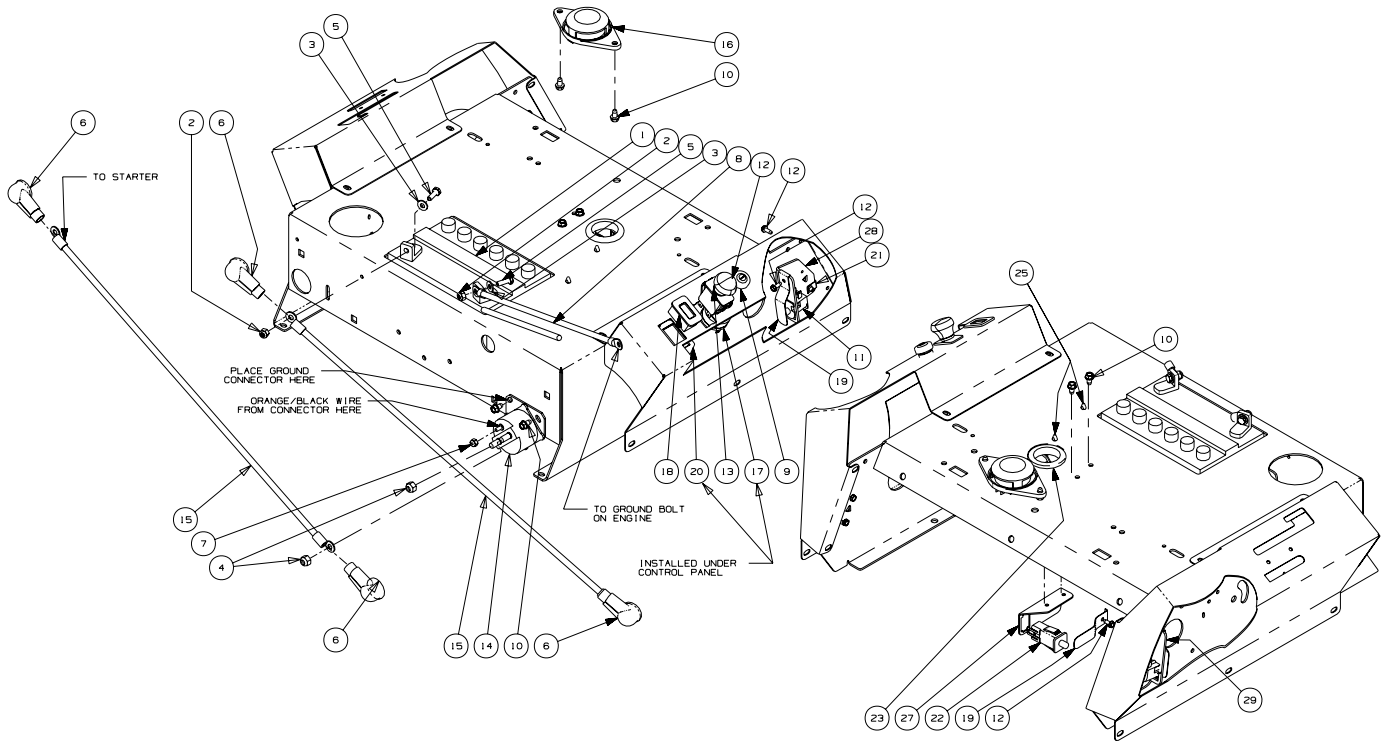
Electrical Assembly Kohler - Figure 18 and Parts List



GD: 02002757-04/11/07

Ref. No.	Part No.	Description	Qty.	Ref. No.	Part No.	Description	Qty.
1	00012032	Battery, 12V 225CCA 30Min	1	14	01003581	Switch, Ignition, 6 Pin	1
2	00012152	Lock Nut, Nylon Insert, 1/4-20	2	15	01007597	Hour Meter	1
3	00012154	Flat Washer, 1/4	2	16	01008042	Safety Switch Retainer Spring	3
4	00013131	Hex Cap Screw, 1/4-20 x .75	2	17	01009905	PTO Switch Bracket	1
5	00013258	Boot, 1" OD Rubber Battery-PST Red	2	18	01009931	U-nut, 10-24	2
6	00024233	Cable, Battery, Black, 17"	1	19	02000024	Switch, Safety N.O./N.C.	1
7	00032097	Nut, 5/8-32, w/Cap	1	20	02001134	Gromment, 1.5 ID x 2.13 OD	1
8	01000628	Self Tapping Screw, 1/4-20 x 1/2	4	21	02002990	Harness Assembly (not shown)	1
9	01001717	Normally Closed Safety Switch	2	22	02003038	Electrical Conduit Clip, 3/8	2
10	01001864	Self Tapping Screw, 10-32 x 1/2	7	23	02003567	Brake Switch Mounting Bracket	1
11	01002111	Electric PTO Switch	1	24	02003926	Bracket, Safety Switch, Right Hand	1
12	01002252	Cable, Battery, Red, 24"	1	25	02003927	Bracket, Safety Switch, Left Hand	1
13	01003277	Normally Closed Seat Switch	1				

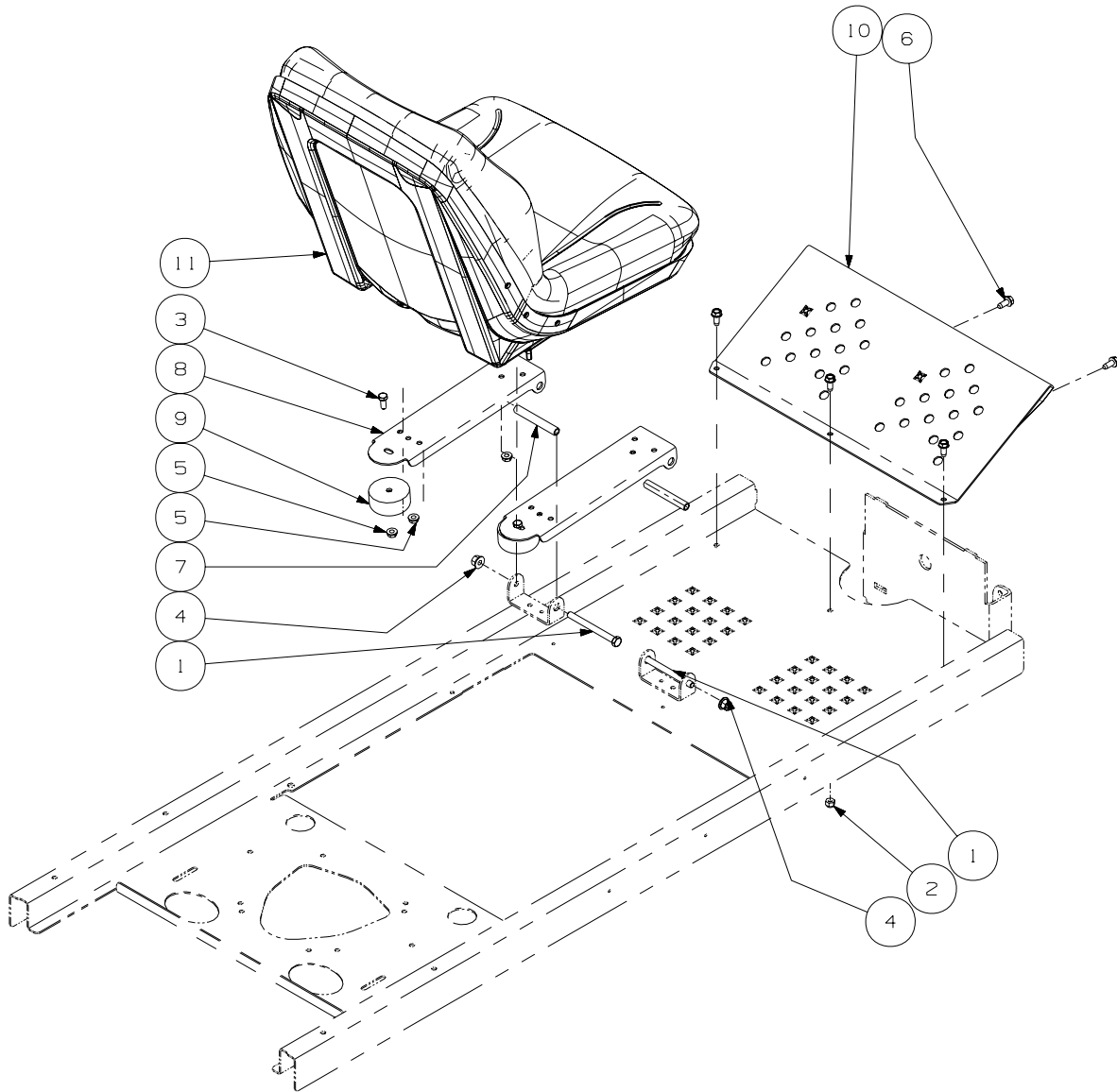
Electrical Assembly Kawasaki - Figure 19 and Parts List



GD: 02002758-04/11/07

Ref. No.	Part No.	Description	Qty.	Ref. No.	Part No.	Description	Qty.
1	00012032	Battery, 12V 225CCA 30Min	1	16	01003277	Normally Closed Seat Switch	1
2	00012152	Lock Nut, Nylon Insert, 1/4-20	2	17	01003581	Switch, Ignition, 6 Pin	1
3	00012154	Flat Washer, 1/4	2	18	01007597	Hour Meter	1
4	00012165	Nylock Nut, 5/16-18	2	19	01008042	Safety Switch Retainer Spring	3
5	00013131	Hex Cap Screw, 1/4-20 x .75	2	20	01009905	PTO Switch Bracket	1
6	00013258	Boot, 1" OD Rubber Battery-PST Red	4	21	01009931	U-nut, 10-24	2
7	00014608	Lock Nut, Nylon Insert, 10-32	1	22	02000024	Switch, Safety N.O./N.C.	1
8	00024233	Cable, Battery, Black, 17"	1	23	02001134	Grommet, 1.5 ID x 2.13 OD	1
9	00032097	Nut, 5/8-32, w/Cap	1	24	02002990	Harness Assembly (not shown)	1
10	01000628	Self Tapping Screw, 1/4-20 x 1/2	6	25	02003038	Electrical Conduit Clip, 3/8	2
11	01001717	Normally Closed Safety Switch	2	26	02003415	Harness Assembly Adaptor	1
12	01001864	Self Tapping Screw, 10-32 x 1/2	7	27	02003567	Brake Switch Mounting Bracket	1
13	01002111	Electric PTO Switch	1	28	02003926	Bracket, Safety Switch, Right Hand	1
14	01002228	Solenoid	1	29	02003927	Bracket, Safety Switch, Left Hand	1
15	01002252	Cable, Battery, Red, 24"	2				

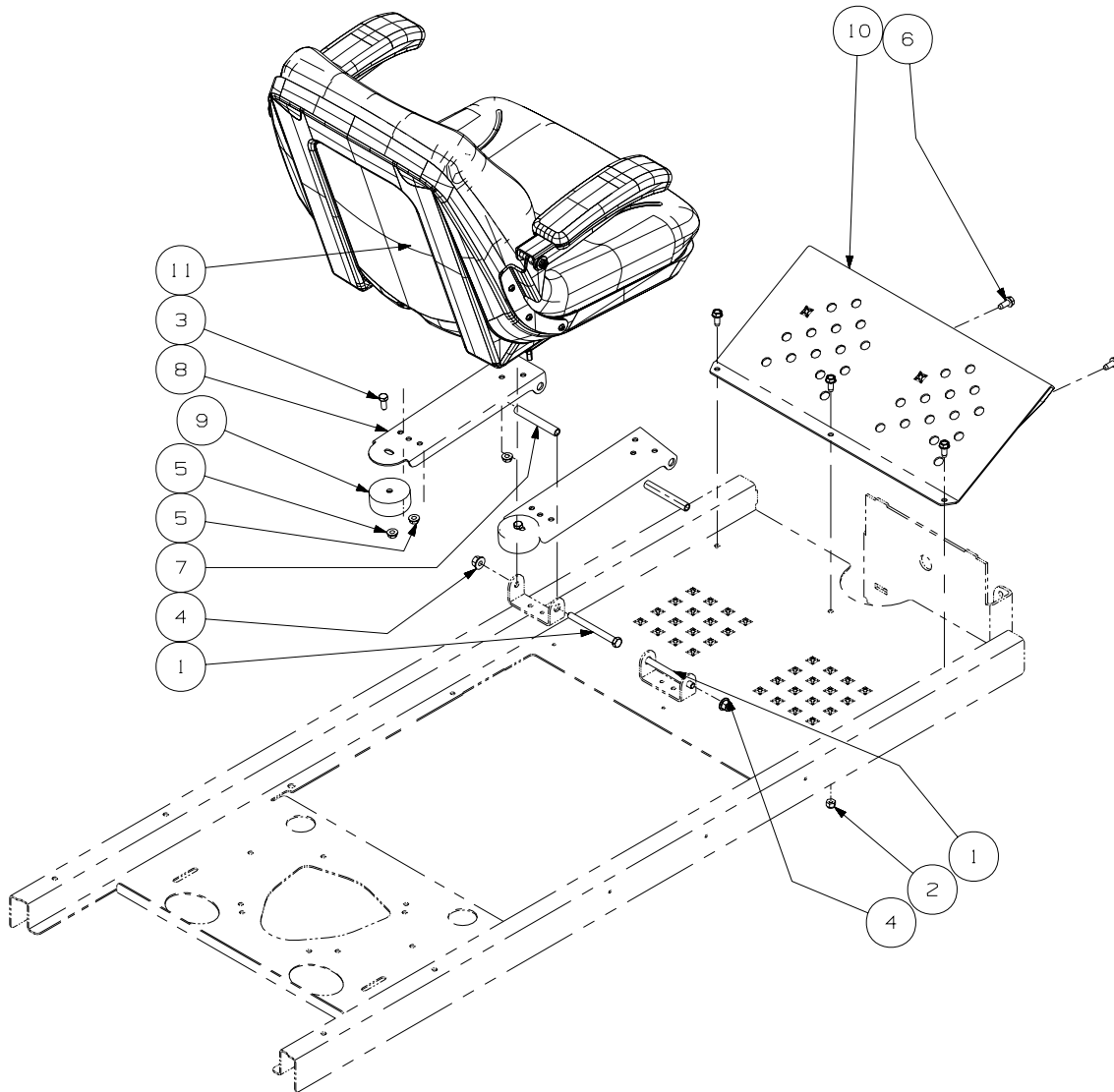
44" Seat Assembly - Figure 20 and Parts List



GD: 02003790-02/21/07

Ref. No.	Part No.	Description	Qty.
1	00011925	Hex Cap Screw, 3/8-16, 4.00	2
2	00012165	Nylock Nut, 5/16-18	3
3	00013406	Hex Cap Screw, 5/16-18 x .75	2
4	00022560	Flange Lock Hex Nut, 3/8-16	2
5	01000635	Nut, 5/16-18, Hex Flange Lock	6
6	01008620	Self Tapping Screw 5/16-18 x .750	5
7	01009872	Spacer, .370 ID x .500 OD x 3.45	2
8	02002747	Seat Mounting Bracket	2
9	02002952	Bumper, 2.50 OD x 1.13 Long	2
10	02002961	Foot Rest Bracket	1
11	02003766	Seat	1

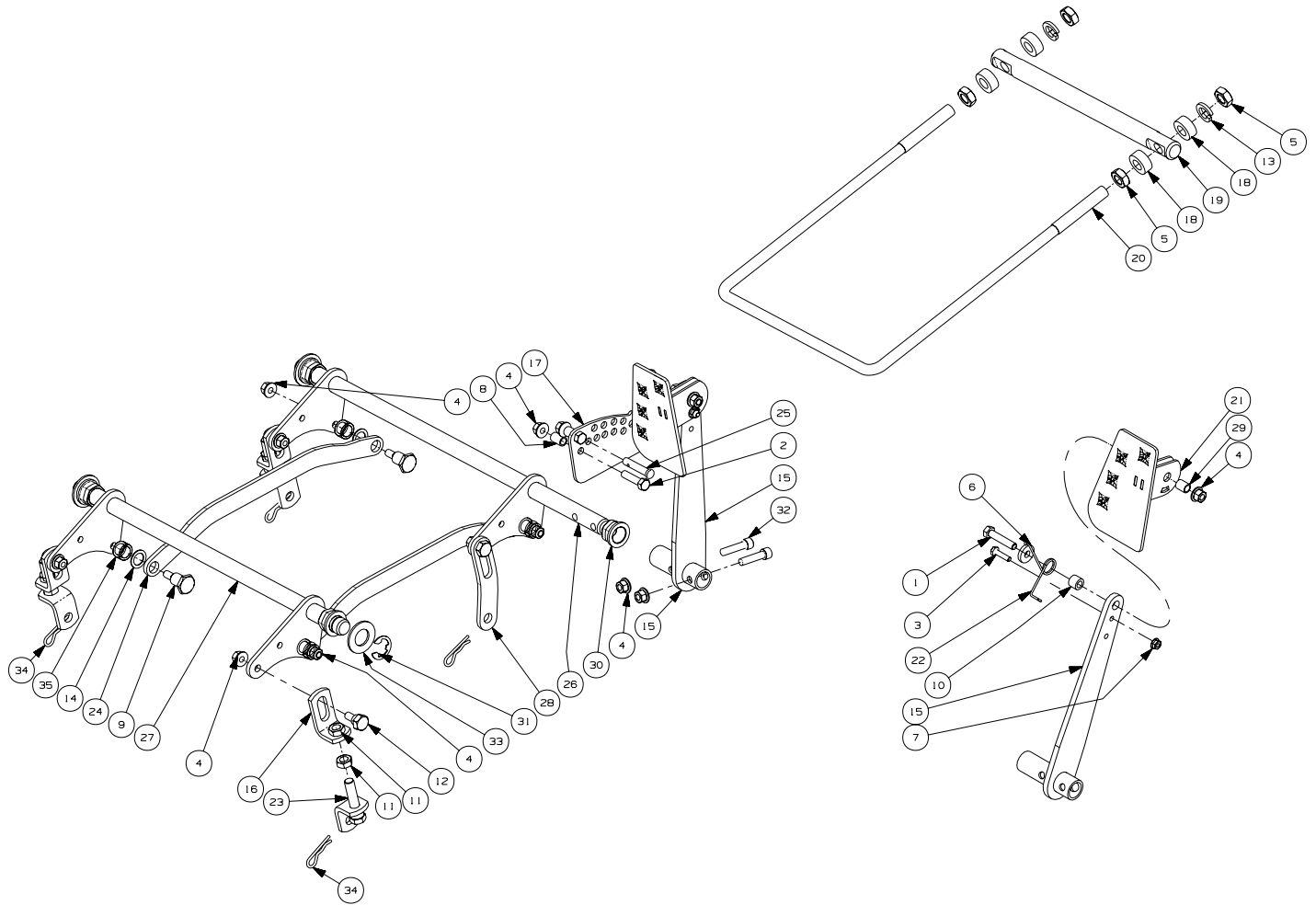
50" & 60" Seat Assembly - Figure 21 and Parts List



GD: 02003443-02/22/07

Ref. No.	Part No.	Description	Qty.
1	00011925	Hex Cap Screw, 3/8-16, 4.00	2
2	00012165	Nylock Nut, 5/16-18	3
3	00013406	Hex Cap Screw, 5/16-18 x .75	2
4	00022560	Flange Lock Hex Nut, 3/8-16	2
5	01000635	Nut, 5/16-18, Hex Flange Lock	6
6	01008620	Self Tapping Screw 5/16-18 x .750	5
7	01009872	Spacer, .370 ID x .500 OD x 3.45	2
8	02002747	Seat Mounting Bracket	2
9	02002952	Bumper, 2.50 OD x 1.13 Long	2
10	02002961	Foot Rest Bracket	1
11	02002975	Seat	1

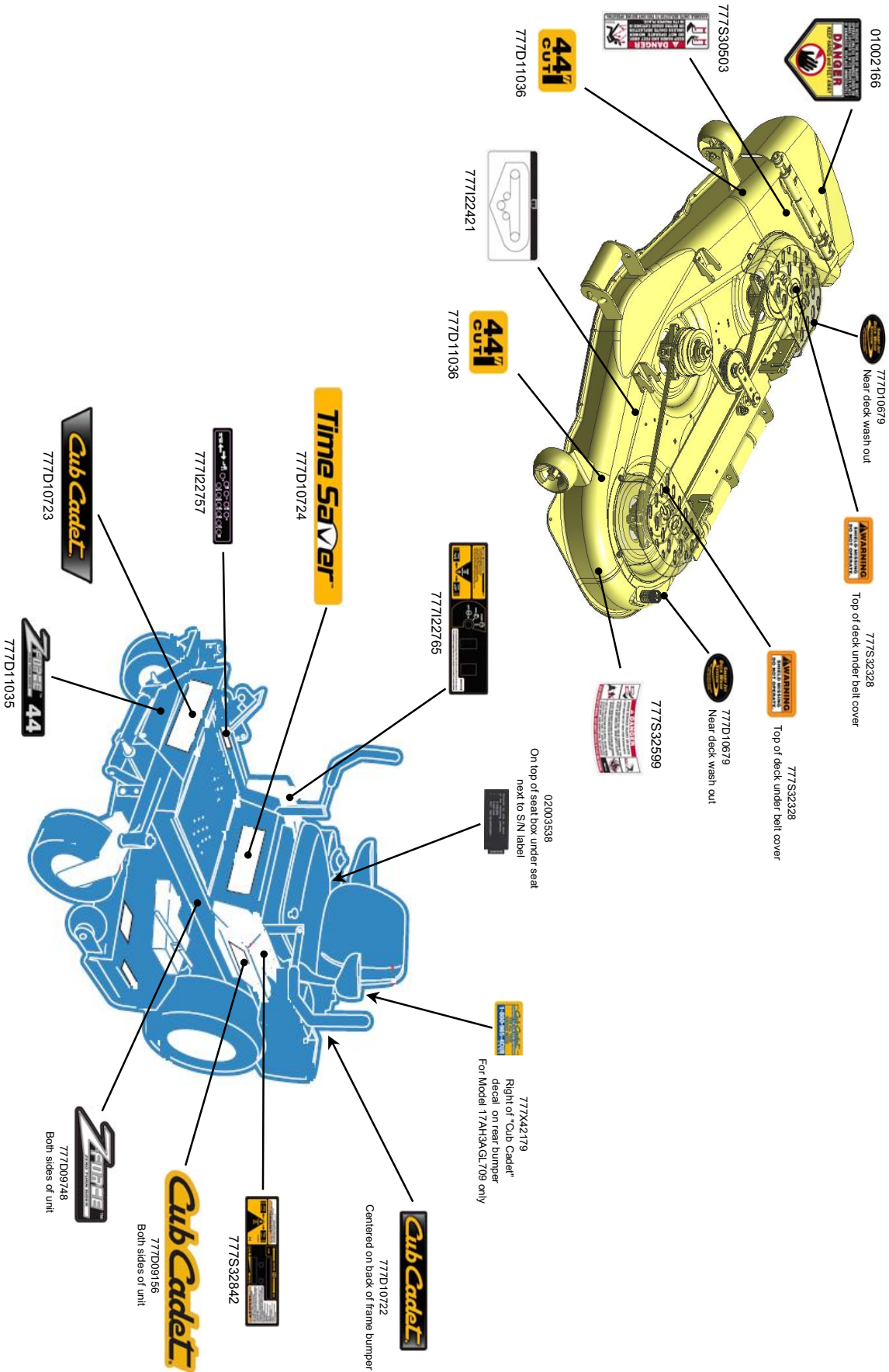
Lift Assembly - Figure 22 and Parts List



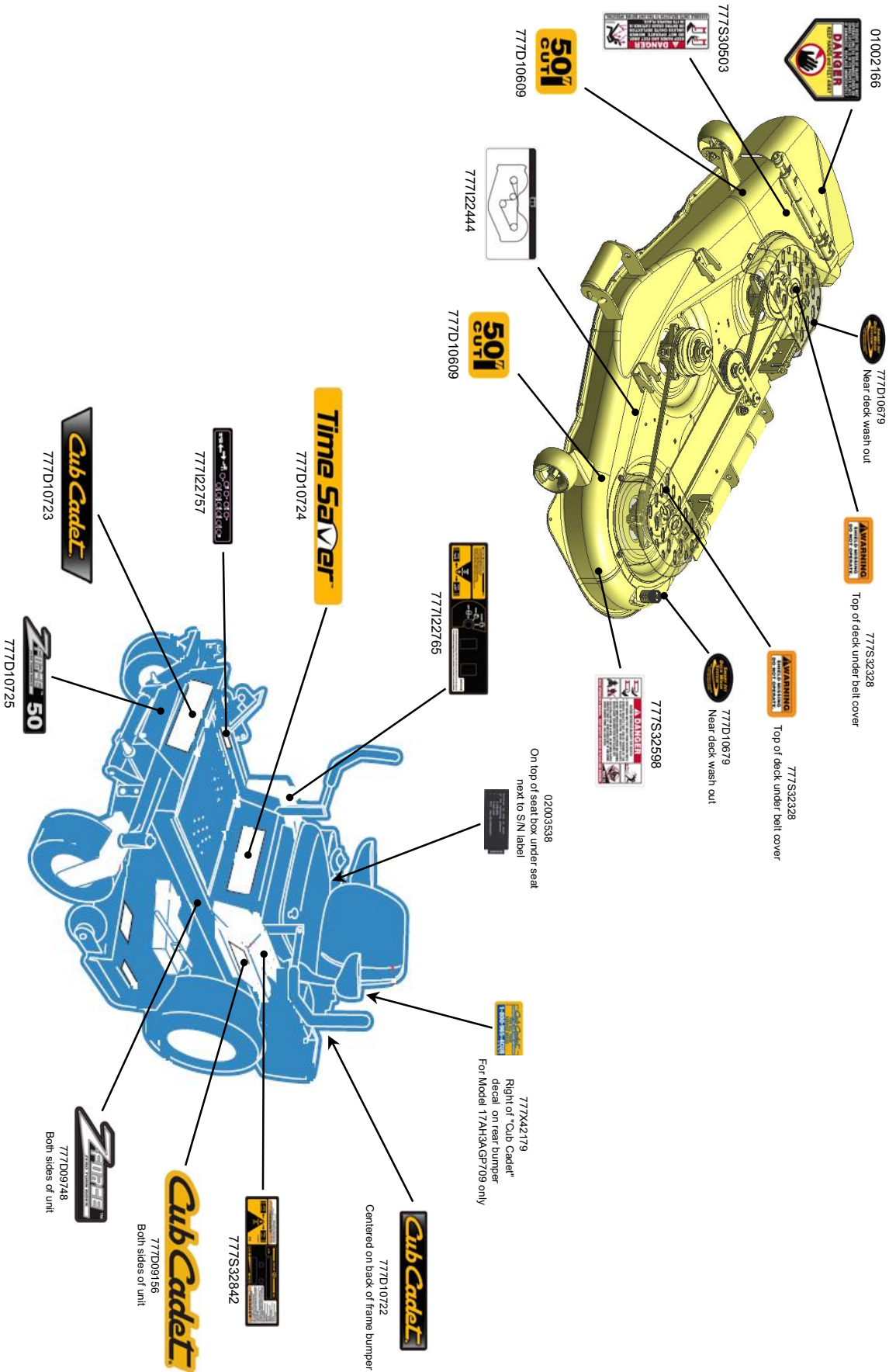
GD: 02002178-03/28/07

Ref. No.	Part No.	Description	Qty.	Ref. No.	Part No.	Description	Qty.
1	00008495	Capscrew, 3/8-16 x 1-3/4	1	19	02002876	Trail Link Pivot Rod	1
2	00011438	Hex Cap Screw, 3/8-16 x 1-1/2	3	20	02002879	Front Lift Rod	1
3	00013416	Hex Cap Screw, 1/4-20 x 1.00	1	21	02002881	Foot Pedal Assembly	1
4	00022560	Nut, 3/8-16, Hex Flange Lock	14	22	02002882	Foot Lift Torsion Spring	1
5	00035632	Jam Nut, 5/8-11	4	23	02002890	Lower Lift Bracket Assembly	3
6	00083192	Idler Washer	1	24	02002893	Lift Link	2
7	01002766	Nut, 1/4-20, Hex Flange Lock Nut	1	25	02002907	Clevis Pin, .375 x 1.89 x 2.125	1
8	01003468	Spacer, .375 x .50 x .75 Lg	3	26	02002915	Front Shaft Assembly	1
9	01003536	Shoulder Screw, 0.625 OD x .830 Lg.	4	27	02002916	Rear Shaft Assembly	1
10	01007312	Spacer, .625 OD x .385 ID x 1/2	1	28	02002979	Link Plate	1
11	01008658	Jam Nut, 1/2-20	6	29	02003436	Spacer, .380 ID x .500 OD x .605	1
12	02000393	Shoulder Screw, 3/8-16, .56 x .27	4	30	02003685	Hex Flange Bearing, .875 ID	4
13	02000671	Lock Washer, 5/8	2	31	02003716	E Clip, .875 Dia.	3
14	02001891	Washer, 1.00 OD x .625 ID x .048	4	32	02003717	Sockethead Capscrew, 3/8-16 x 1.50	2
15	02002377	Foot Lift Pivot Assembly	1	33	02003720	Flat Washer, .94 x 1.75 x .11	3
16	02002382	Deck Lift Bracket	3	34	02000673	Hair Pin	4
17	02002612	Index Plate	1	35	750-0547	Spacer, .628 ID x .875 OD x .500	4
18	02002875	Spacer, .635 ID x 1.188 OD x .500	4				

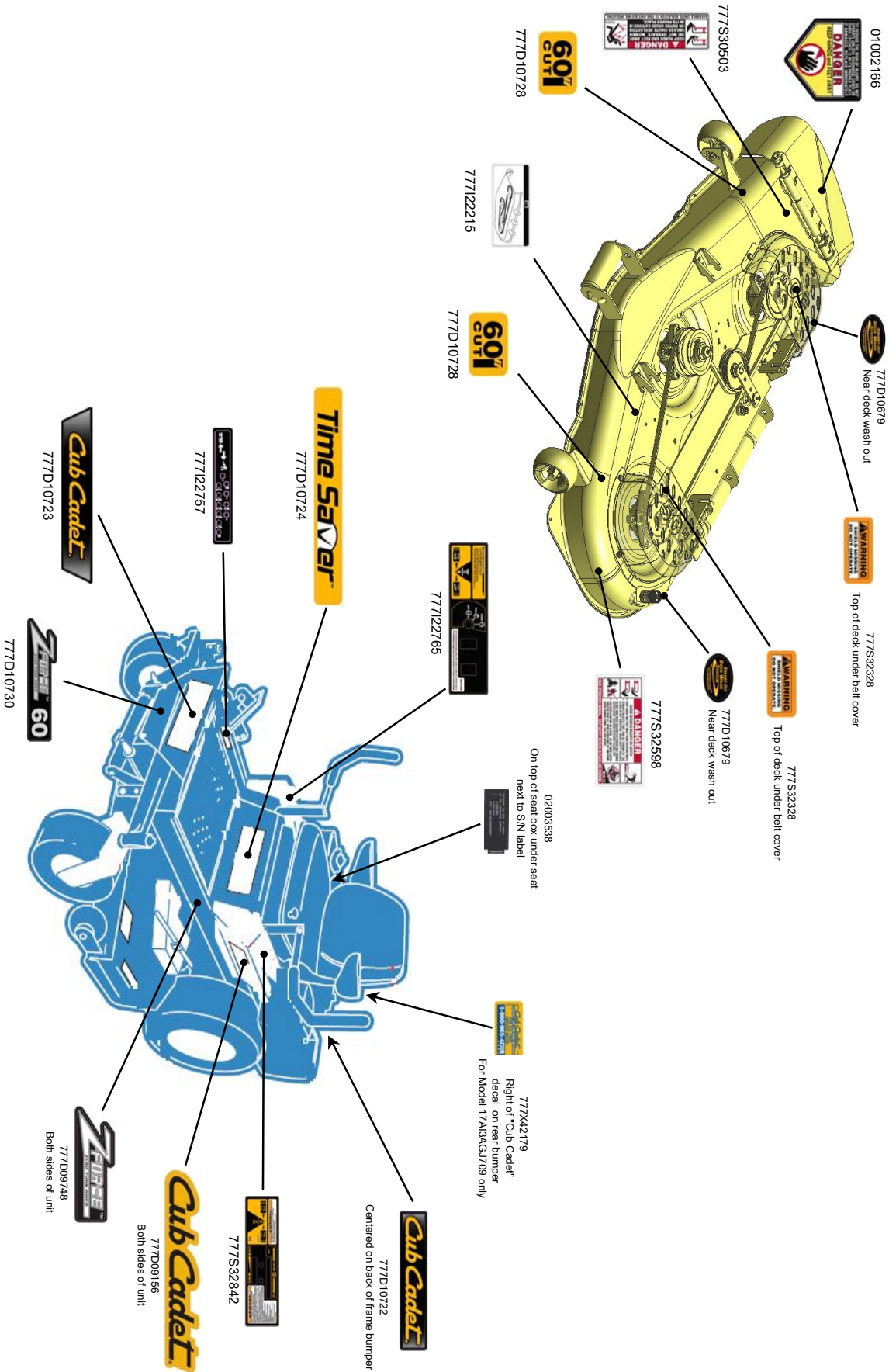
44" Decal Map



50" Decal Map



60" Decal Map





Cub Cadet LLC
P.O. Box 361131
Cleveland, OH 44136