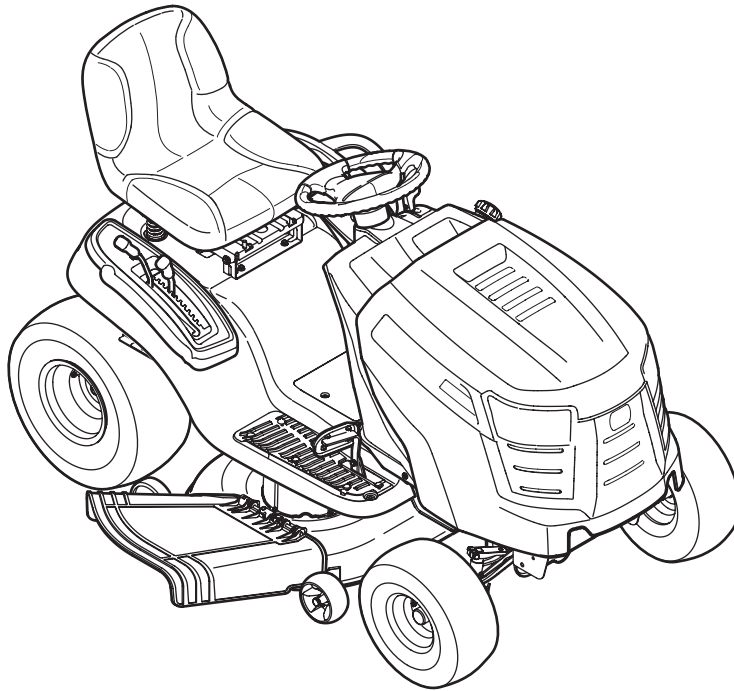

Cub Cadet[®]

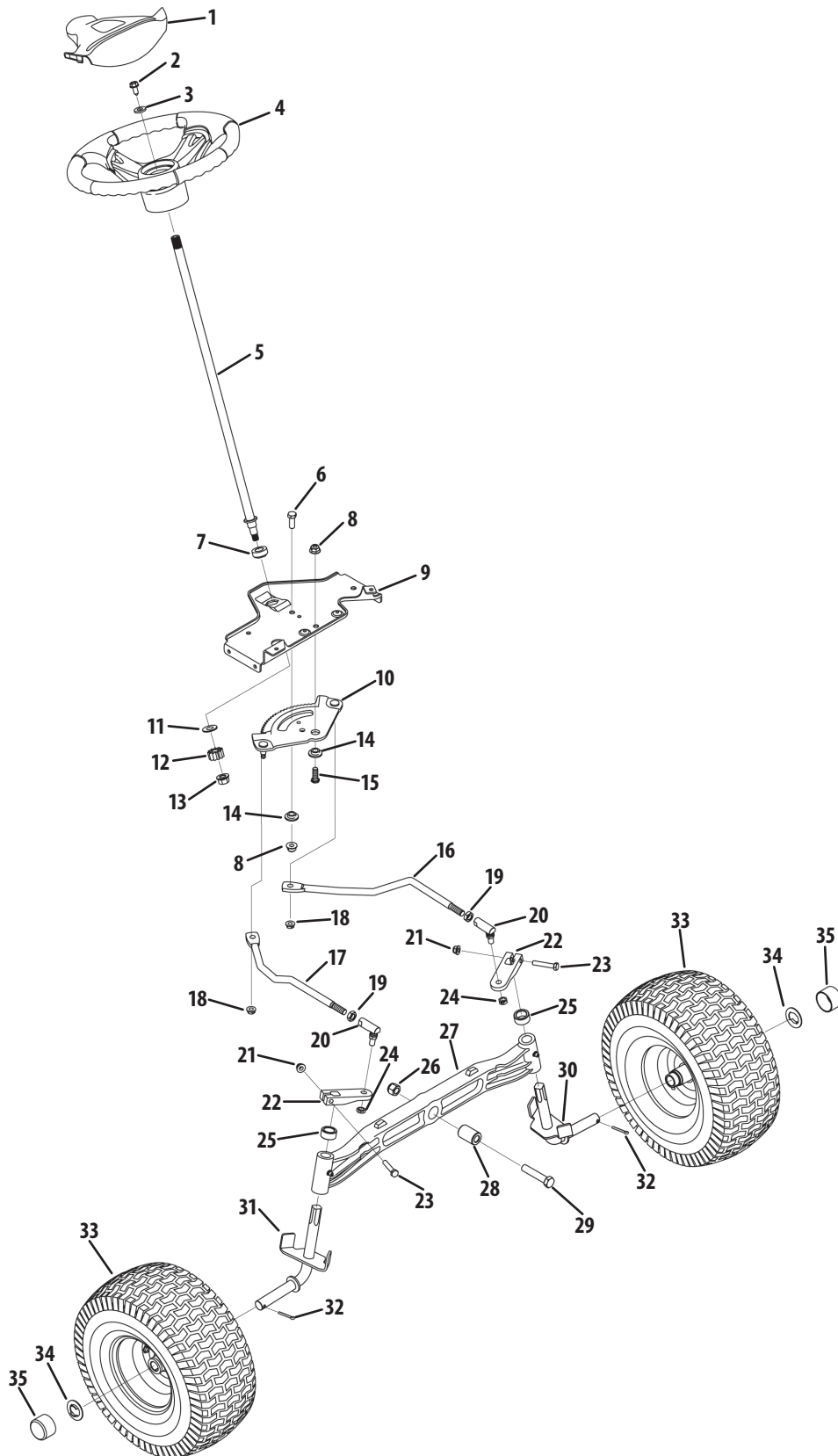
ILLUSTRATED PARTS MANUAL



Lawn Tractor — LTX 1040

CUB CADET LLC, P.O. BOX 361131 CLEVELAND, OHIO 44136-0019

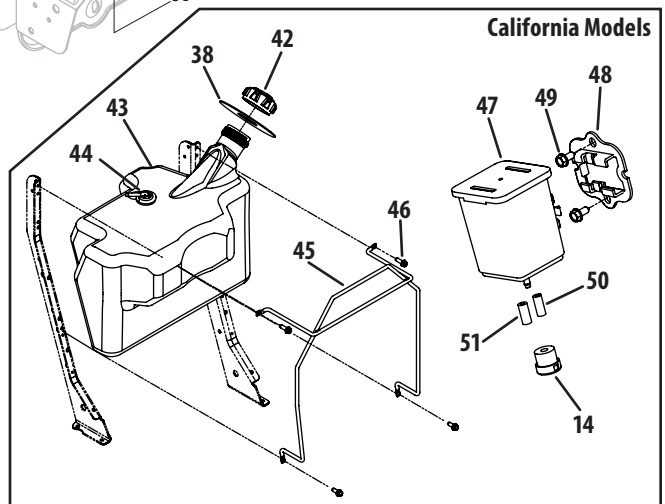
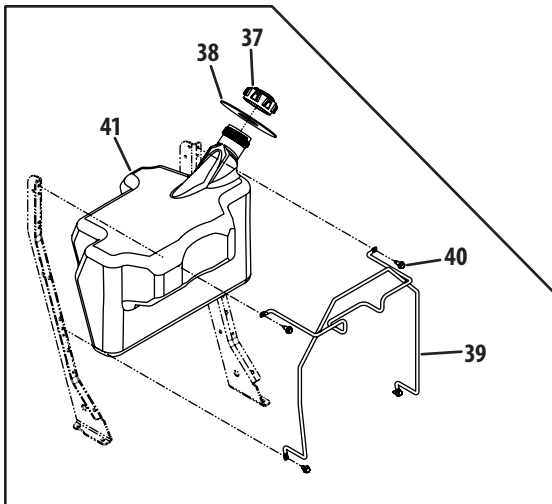
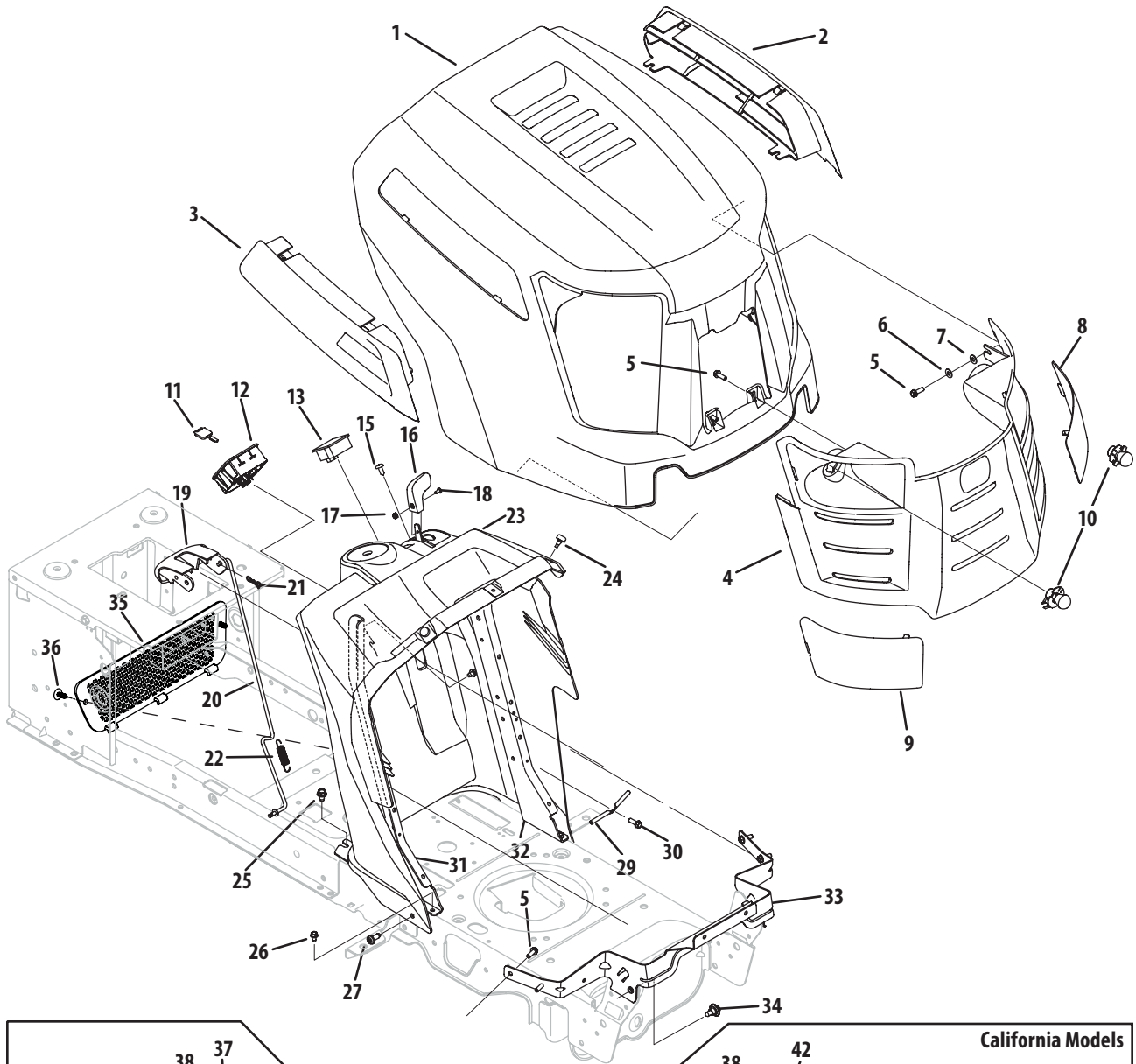
Steering & Front Axle Assembly



Steering & Front Axle Assembly

Ref.	Part Number	Description
1	731-04532B	Steering Wheel Cover
2	710-04484	Hex Washer Screw, 5/16-18 x .750
3	936-3004	Flat Washer, .406 x .875 x .105
4	631-04008A	Steering Wheel
5	738-04262	Steering Wheel Shaft
6	710-0514	Hex Screw, 3/8-16 x 1.00
7	741-04237A	Hex Flange Bearing
8	712-04065	Flange Lock Nut, 3/8-16
9	783-06043-0637	Steering Support Bracket
10	717-1550F	Steering Gear
11	736-3084	Flat Washer, .51 x 1.12 x .06
12	717-1554	Steering Gear
13	712-0459	Flange Lock Nut, 7/16-20
14	738-04363	Shoulder Spacer, .385 x 1.25 x .3025
15	710-04095	Hex Screw, 3/8-16 x 1.00
16	711-04998	LH Drag Link
17	711-04999	RH Drag Link
18	712-3004A	Flange Lock Nut, 5/16-18
19	912-0240	Jam Nut, 7/16-20
20	923-0448A	Lock Joint
21	712-04063	Flange Lock Nut, 5/16-18
22	748-04065-0637	Steering Block
23	710-3180	Hex Screw, 5/16-18 x 1.75
24	912-0214	Hex Lock Nut, 3/8-24
25	748-04068	Spacer, .71 x .125 x .56
26	712-3083	Hex Lock Nut, 1/2-13
27	719-04413	Axle Pivot Bar
28	750-05041	Spacer, .510 x 1.00 x 1.5075
29	710-04824	Hex Screw, 1/2-13 x 2.5
30	638-04021-0637	RH Axle Assembly
31	638-04027-0637	LH Axle Assembly
32	714-0162	Cotter Pin, 5/32 x 1.25
33	N/A	Wheel Assembly (Plastic Flange)
—	634-04405-0499	Rim Assembly
—	734-1731-0901	Tire
—	734-0255	Tubeless Air Valve
—	741-0990B	Flange w/ Fitting Bearing
—	741-0516B	Flange w/o Fitting Bearing
34	736-04228A	Flat Washer, .781 x 1.590
35	731-05674	Bumper Cap

Hood & Dash Assembly

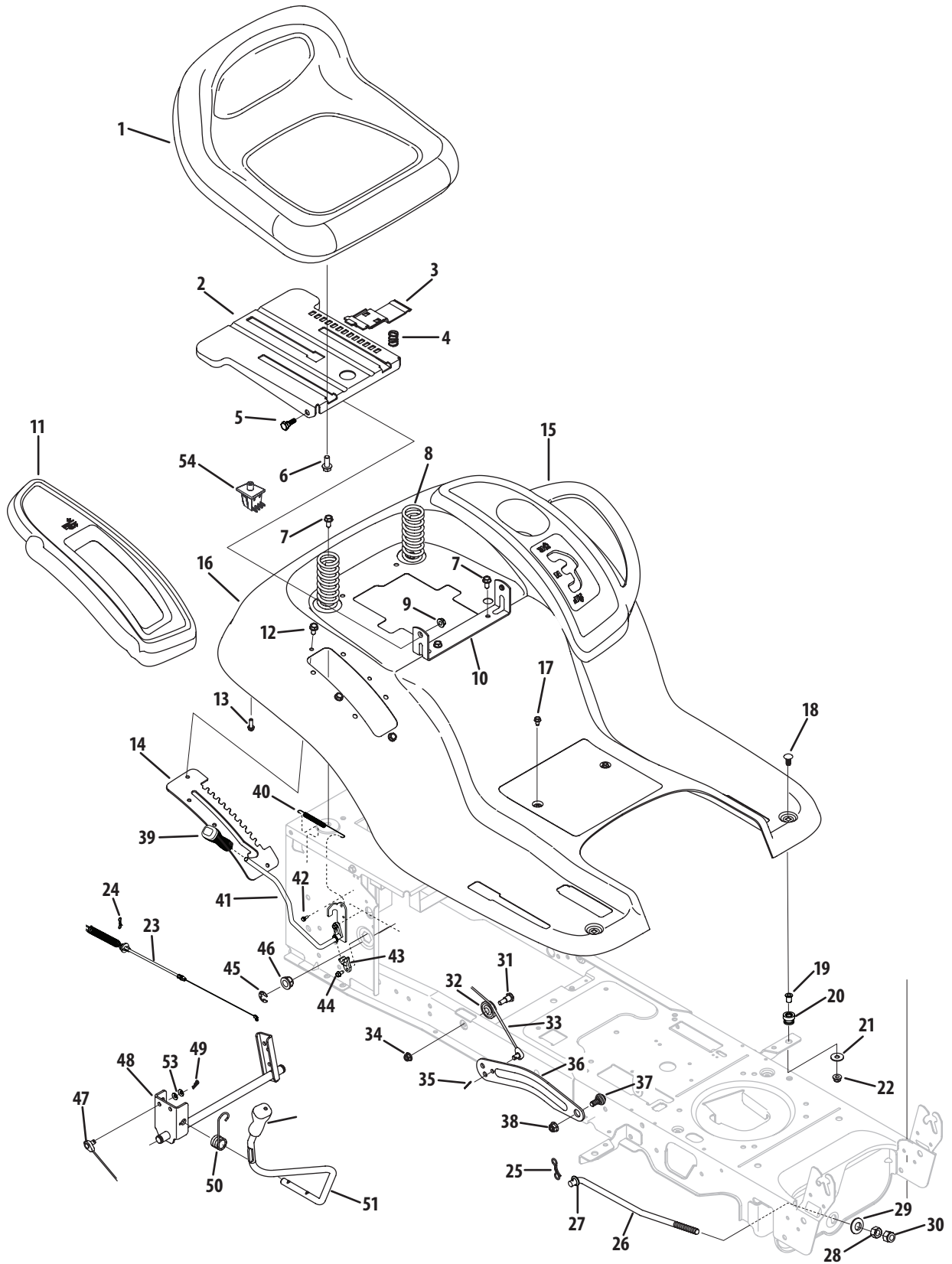


Hood & Dash Assembly

Ref.	Part Number	Description
1	931-06634	Hood
2	731-06543	LH Hood Scoop
3	731-06542	RH Hood Scoop
4	931-04322	Grill
—	777X43335	Reflective Label, LH
—	777X43334	Reflective Label, RH
5	710-0895	Hex Washer Screw, ¼-15 x .750
6	936-3020	Flat Washer, .271 x .630 x .065
7	936-0222	Lock Washer, ¼
8	931-06559	Lens, LH
9	931-06558	Lens, RH
10	925-0963	Lamp, 12V
—	925-1649	Headlight Socket
11	925-2054A	Key
12	925-04227B	Key Switch
13	925-04022B	Indicator Meter
14	951-10590	Canister Vent Filter
15	710-1017	Screw, ¼-14 x .625
16	731-06593	Throttle Knob
17	712-0142	Hex Nut, #8-32
18	710-3217	Screw, #8-32 x .375
19	731-05447A	Parking Brake/Cruise Control Lever
20	747-05009	Control Rod
21	714-04040	Bow-Tie Cotter Pin
22	732-04580	Extension Spring, .500 x 2.733
23	931-06666	Dash Panel
24	735-0271A	Bumper
25	710-04484	Hex Washer Screw, ⅝-18 x .750

Ref.	Part Number	Description
26	710-0599	Hex Washer Screw, ¼-20 x .500
27	710-1611B	Screw, ⅝-18 x .750
28	710-1652	Hex Washer Screw, ¼-20 x .625
29	747-1196	Bent Lever Rod
30	710-0895	Hex Washer Screw, ¼-15 x .750
31	783-06099-0637	Dash Support, RH
32	783-06098-0637	Dash Support, LH
33	783-06114-0637	Hood Pivot Bracket
34	738-04091A	Shoulder Screw, ⅝-18 x .43 x .29
35	735-04076	Net
36	726-3046	Ratchet Clip
37	751-0603A	Fuel Cap
38	735-04170	Fuel Tank Gasket
39	747-05040A	Fuel Tank Support Rod
40	710-1652	Hex Washer Screw, ¼-20 x .625
41	751-10879	Fuel Tank
42	951-10947	Fuel Cap
43	751-10906	Fuel Tank
44	751-10441	Rollover Valve
—	735-04081	Rubber Grommet
45	747-05040A	Fuel Tank Support Rod
46	710-0642	Hex Washer Screw, ¼-20 x .750
47	951-10589	Carbon Canister
48	951-10610	Canister Adapter Bracket
49	710-04484	Hex Washer Screw, ⅝-18 x .750
50	751-10749-30	Fuel Hose, ⅜ White
51	751-10750-28	Fuel Hose, ⅜ Yellow

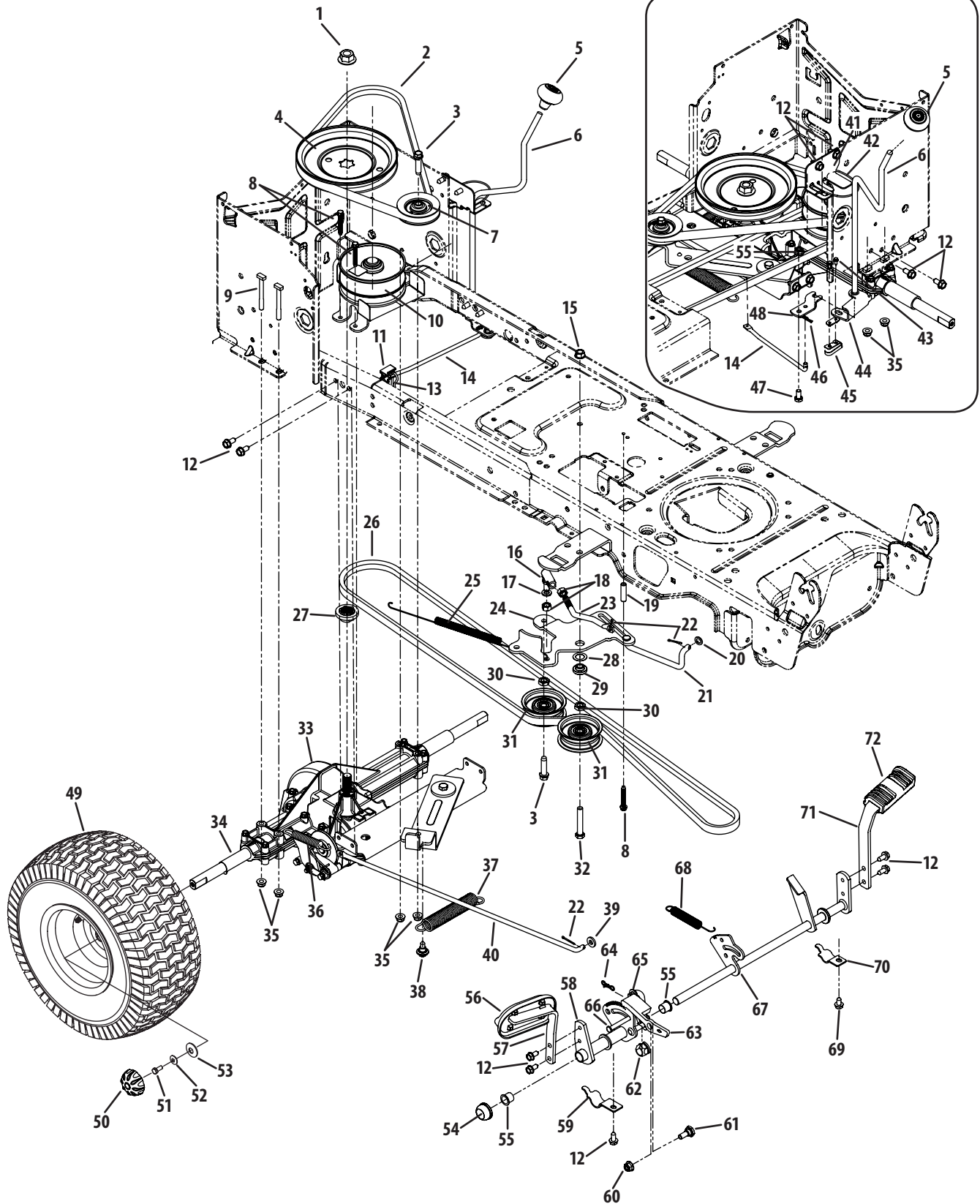
Seat, Fender & Deck Lift



Seat, Fender & Deck Lift

Ref.	Part Number	Description	Ref.	Part Number	Description
1	757-04085	Medium Back Seat	28	736-0317	Bell Washer
2	783-06049-0637	Seat Mounting Bracket	29	912-0206	Hex Nut, 1/2-13
3	783-06050	Seat Adjustment Lever	30	712-3083	Hex Lock Nut, 1/2-13
4	732-04563	Compression Spring, .68 x 1.065 x .055	31	738-0138A	Shoulder Screw, 5/16-18 x .437 x .470
5	938-0296	Shoulder Screw, 5/16-18 x .437 x .268	32	756-04331	Cable Roller Pulley
6	710-04482	Hex Flange Bolt, 3/8-16 x .875	33	746-0968	Lift Cable
7	710-04484	Hex Washer Screw, 5/16-18 x .750	34	712-04063	Flange Lock Nut, 5/16-18
8	732-04561	Compression Spring, 1.71 x 3.735 x .238	35	714-0111	Cotter Pin, 3/32 x 1.0
9	712-3004A	Flange Lock Nut, 5/16-18	36	783-04711B-0637	Lift Arm, LH
10	783-06088-0637	Seat Pivot Bracket	37	738-04130	Shoulder Bolt, 3/8-16 x .625 x .175
11	731-06754	Fender Cover. RH	38	712-04065	Flange Lock Nut, 3/8-16
12	710-04484	Hex Washer Screw, 5/16-18 x .750	39	720-04116	Grip
13	710-0895	Hex Washer Screw, 1/4-15 x .750	40	732-0932	Extension Spring, .38 x 5.6
14	783-06039-0637	Manual PTO Lift Bracket	41	647-04151	PTO Handle
15	731-05515B	Fender Cover, LH	42	738-04237A	Shoulder Screw, #10-32 x .500
16	783-06235-4021	Fender	43	741-04119	PTO Bearing
17	710-0599	Hex Washer Screw, 1/4-20 x .500	44	710-0599	Hex Washer Screw, 1/4-20 x .500
18	710-0528	Screw, 5/16-18 x 1.25	45	716-0106A	E-Type Ring
19	750-3310	Flange Spacer, .3125 x .4375 x .625	46	941-0225	Hex Flange Bearing
20	735-0690	Grommet, .4375 x .750	47	746-0968	Lift Cable
21	736-3078	Flat Washer, .344 x 1.0 x .063	48	683-04223-0637	Lift Shift Assembly
22	712-04063	Flange Lock Nut, 5/16-18	49	914-0104	Cotter Pin, .072 x 1.13
23	946-04618	Deck Engagement Cable	50	732-0874	Torsion Spring
24	714-04040	Bow-Tie Cotter Pin	51	747-04962A	Lift Handle
25	714-3002	Cotter Pin, 3/16 x 1.00	52	720-0311	Handle Grip
26	747-04944A	Deck Lift Rod	53	736-0105	Washer, .401 x .870 x .063
27	936-0179	Flat Washer, 1/2 x 1.25 x .10	54	925-04040	Seat Switch

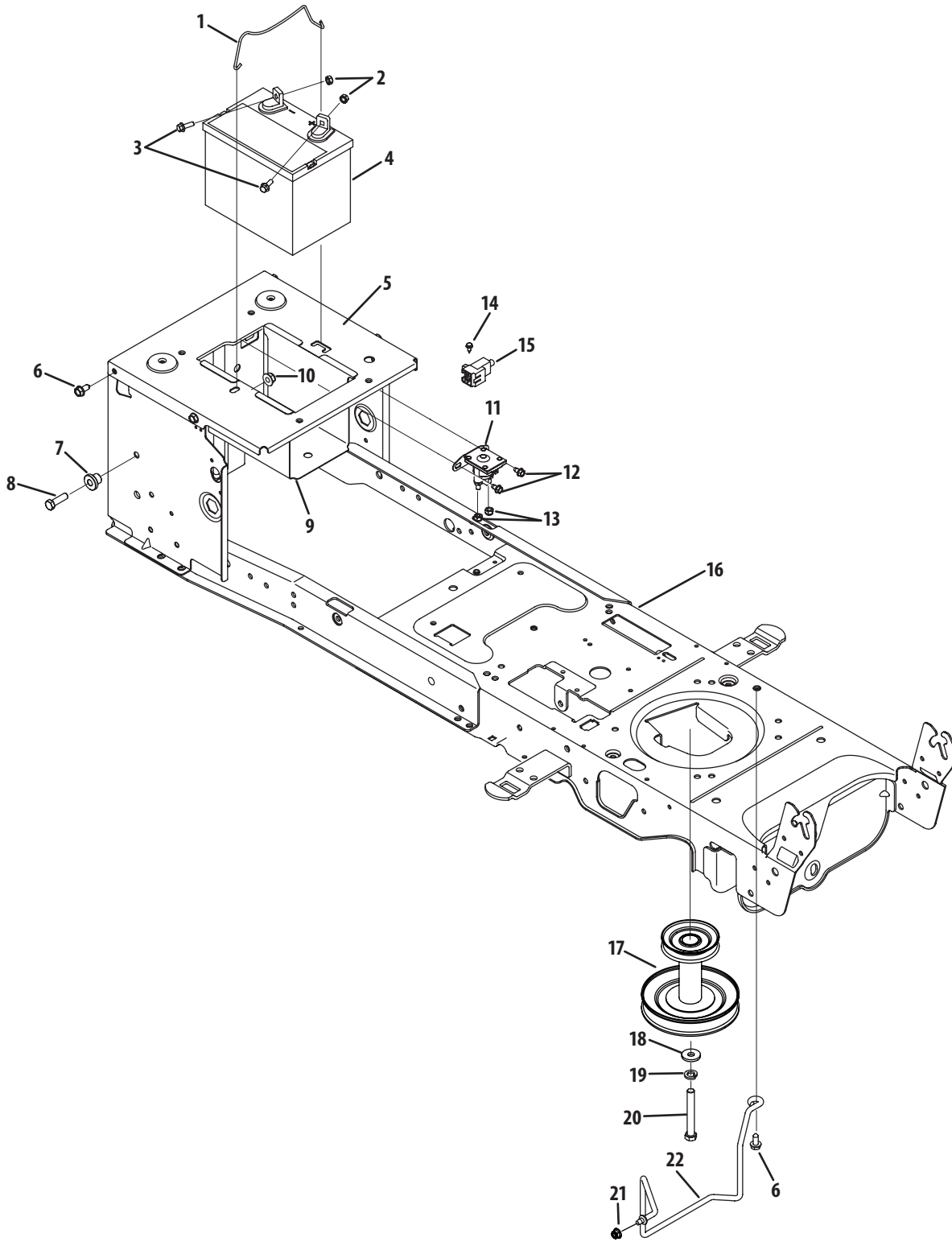
Drive System



Ref.	Part Number	Description
1	712-0700	Flange Nut
2	954-04208	V-Belt
3	710-1007	Hex Washer Screw, 3/8-16 x 1.500
4	956-04002	Pulley
5	720-04028	Shift Knob
6	647-04035	Shift Lever Assembly
7	756-04325	Idler Pulley
8	710-1026	Hex Washer Screw, 1/4-20 x 1.750
9	710-04823	Bolt, 5/16-18 x 2.75
10	N/A	Var. Speed Pulley Ass. w/ Bracket
—	956-04015A	Variable Speed Pulley Assembly
—	683-04522	Variable Speed Belt Guide
—	683-04523	Variable Speed Pulley Bracket
—	710-0627	Screw, 5/16-24 x .750
—	710-0778	Screw, 1/4-20 x 1.500
—	718-04261	Bearing Cup
—	736-0362	Flat Washer
—	741-0124	Ball Bearing
11	731-06894	Shift Plate Bearing
12	710-04484	Hex Washer Screw, 5/16-18 x .750
13	914-0209	Internal Cotter Pin
14	747-05109	Shift Rod
15	912-0431	Flange Lock Nut, 3/8-16
16	723-3018	Joint Ball
17	936-0169	Lock Washer, 3/8
18	712-0241	Hex Nut, 3/8-24
19	750-04456	Spacer, .260 x .372 x 1.420
20	936-0140	Flat Washer, .385 x .62 x .063
21	747-04957A	Foot Pedal Transmission Bypass Rod
22	914-0111	Cotter Pin, 3/32 x 1.0
23	747-04959A	Idler Adjuster Rod
24	783-06027	Idler Bracket
25	732-04612	Extension Spring, .70 x 12.00
26	954-0467	V-Belt
27	718-04407	Pulley Hub
28	736-04337	Shim Washer, 1.00 x .632 x .010
29	738-0372B	Shoulder Spacer, 1.00 x .38 x .38
30	912-0240	Jam Nut, 7/16-20
31	756-04224	Flat Idler Pulley
32	710-3011	Hex Screw, 3/8-16 x 2.25
33	918-04566	Transmatic Drive Assembly

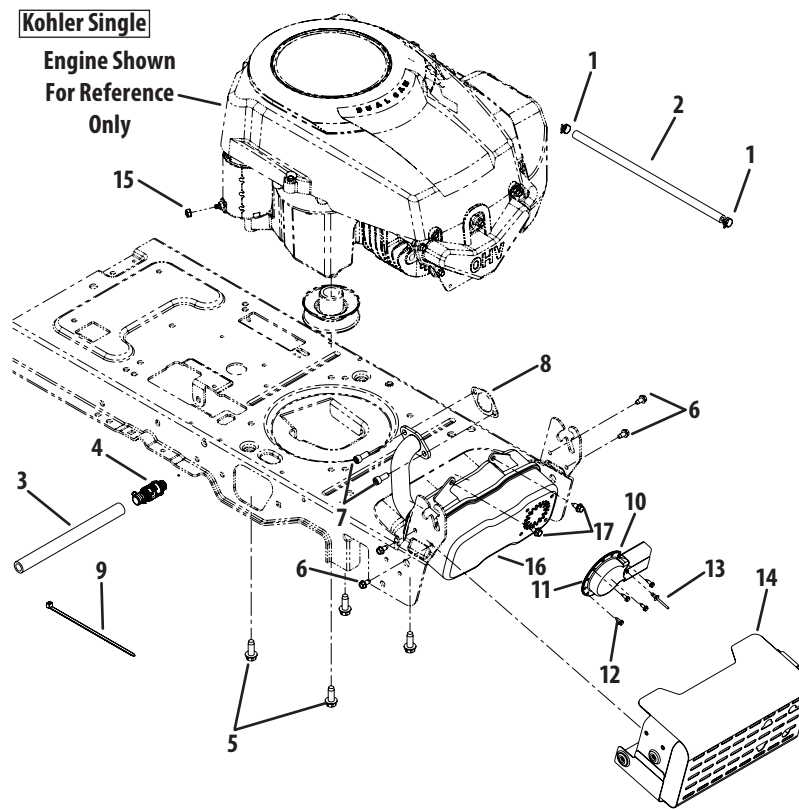
Ref.	Part Number	Description
34	731-04604	Sleeve, .758 x .821 x 2.4375
35	712-04063	Flange Lock Nut, 5/16-18
36	732-0716D	Extension Spring, .59 x 4.00
37	732-04616	Extension Spring, .97 x 6.18
38	738-04091A	Shoulder Screw, 5/16-18 x .43 x .29
39	936-3008	Flat Washer, .344 x .750 x .120
40	747-04984	Brake Rod
41	783-06132	Shift Bracket
42	732-0525	Spring Shifter Clip
43	710-0227	Hex Washer Screw, #8-18 x .500
44	926-0320	Insulator Nut Plate
45	725-1644	Short Spring Switch
46	914-0104	Cotter Pin, .072 x 1.13
47	710-3025	Hex Screw, 5/16-18 x .625
48	783-04595A	Shift Adjustment Bracket
49	634-04639-0499	Rim Assembly, 8.0 x 7.0 x .750
—	934-0255	Tubeless Air Valve
—	734-1730-0901	Tire, 20 x 8 x 8
50	731-2290A	Hub Cap
51	710-0627	Hex Lock Screw, 5/16-24 x .750
52	736-0242	Bell Washer, .340 x .872 x .060
53	736-0430	Flat Washer, .350 x 1.59 x .062
54	726-0214	Push Cap, 5/8
55	741-0495	Flange Bearing, .630 x .695 x .60
56	735-0662	Control Pad
57	683-0266	Auto Drive Control Pedal Assembly
58	683-04489	Transmatic Pedal Bracket Assembly
59	783-05914	Pedal Strap Support Bracket
60	712-04065	Flange Lock Nut, 3/8-16
61	938-0380	Shoulder Bolt, 3/8-16 x .500 x .270
62	741-3065B	Hex Flange Bearing
63	748-04203	Cruise Latch
64	714-04040	Bow-Tie Cotter Pin
65	783-06278	Bracket Reinforcement Plate
66	711-05068	Clevis Pin, 5/16-3.985
67	647-04152	Brake Control Assembly
68	732-04587	Extension Spring, .63 x 4.95
69	710-0604A	Hex Washer Screw, 5/16-18 x .625
70	783-05940	Pedal Strap Support Bracket
71	783-06103A-0637	Brake Pedal Bracket
72	735-04136	Brake Pedal Pad

Frame, Battery & PTO



Ref.	Part Number	Description
1	747-04121A	Battery Hold-Down Rod
2	712-0271	Sems Nut, 1/4-20
3	710-04666	Hex Flange, 1/4-20 x .75
4	925-1707D	Battery
5	783-06089-0637	Seat Frame Bracket
6	710-04484	Hex Washer Screw, 5/16-18 x .750
7	738-04058	Shoulder Spacer, .38 x 1.0 x .70
8	710-3005	Hex Screw, 3/8-16 x 1.25
9	783-0349-0637	Battery Tray
10	712-04065	Flange Lock Nut, 3/8-16
11	725-04439	Solenoid
12	710-0653	Hex Washer Screw, 1/4-20 x .375
13	712-04064	Flange Lock Nut, 1/4-20
14	738-04237A	Shoulder Screw, #10-32 x .500
15	725-04363	Interlock Switch
16	683-04469-0637	Lower Frame Assembly
17	756-04208A	Engine Pulley
18	736-0322	Flat Washer, .450 x 1.250 x .164
19	936-0171	Lock Washer, 7/16
20	710-04607	Hex Screw, 7/16-20 x 2.75
21	712-04063	Flange Lock Nut, 5/16-18
22	747-05065	Keeper Rod

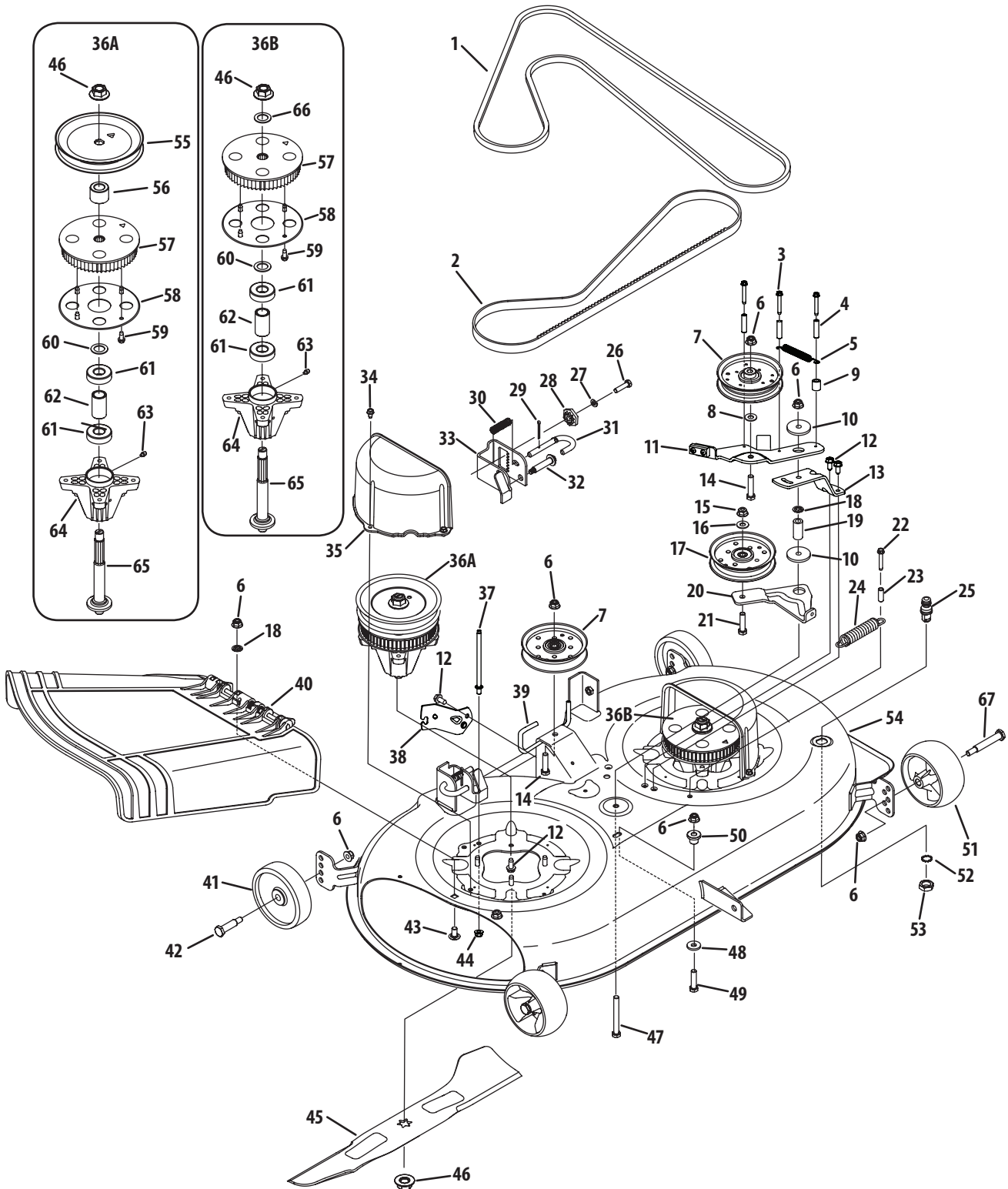
Engine Accessories



Ref.	Part Number	Description
1	726-0205	Hose Clamp
2	751-10349	Fuel Hose
3	751-3141-14	Extension Hose
4	951-10517A	Oil Drain
5	710-04683	Hex Washer Screw, 3/8-16 x 1.00
6	710-0599	Hex Washer Screw, 1/4-20 x .500
7	710-1314A	Screw, 5/16-18 x .750
8	721-0377A	Exhaust Gasket
9	725-0157	Cable Tie, 3/16 x .05 x 7.4

Ref.	Part Number	Description
10	751-0564B	Muffler Deflector
11	751-10353	Long Muffler Deflector
12	710-0227	Hex Washer Screw, #8-18 x .500
13	728-04000	Rivet, .188 x .300
14	683-04549-0637	Muffler Shield Assembly
15	712-0271	Sems Nut, 1/4-20
16	751-11022	Kohler Single Muffler
17	710-1652	Hex Washer Screw, 1/4-20 x .625

42" U.S. Timed Mowing Deck



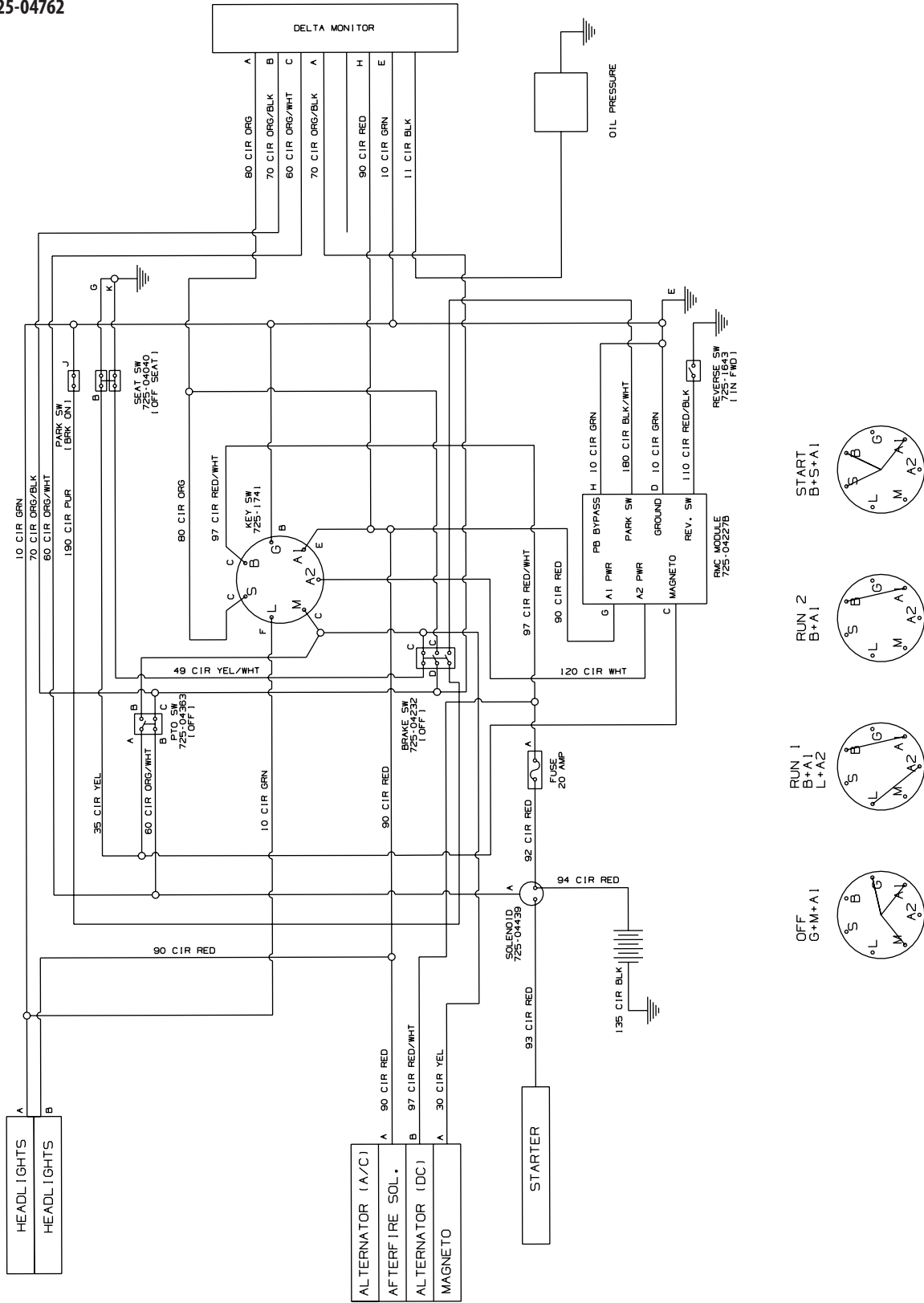
42" U.S. Timed Mowing Deck

Ref.	Part Number	Description
1	954-0266A	Drive Belt
2	954-04167	Timing Belt
3	710-1325	Hex Washer Screw, 1/4-20 x 1.625
4	750-04456	Spacer, .260 x .372 x 1.420
5	932-0428A	Extension Spring, .50 x 4.35
6	712-04065	Flange Lock Nut, 3/8-16
7	756-04129B	Idler Pulley
8	936-3004	Flat Washer, .406 x .875 x .105
9	750-0807	Spacer, .385 x .625 x .700
10	738-04162A	Shoulder Spacer, .8840 x .190
11	983-04524	Brake Assembly
12	710-04484	Hex Washer Screw, 5/16-18 x .750
13	783-06176-0637	Idler Brace Bracket
14	710-0347	Hex Screw, 3/8-16 x 1.75
15	712-0266A	Jam Lock Nut, 3/8-16
16	936-0300	Flat Washer, .406 x .875 x .059
17	756-04280	Idler Pulley
18	712-0229	Push Nut, 3/8
19	750-04446	Spacer, 3/8 x .68 x 1.46
20	783-05802-0637	Tension Bracket
21	710-0520	Hex Screw, 3/8-16 x 1.50
22	710-1325	Hex Washer, 1/4-20 x 1.625
23	750-0566A	Spacer, .260 x .375 x 1.030
24	732-0826A	Extension Spring, .865 x 4.68
25	737-04003D	Deck Water Nozzle
26	710-0528	Hex Screw, 5/16-18 x 1.25
27	936-0119	Lock Washer, 5/16
28	917-04074	Deck Adjustment Gear
29	914-0470	Cotter Pin, 1/8 x 1.25
30	932-0306A	Compression Spring, .531 x 1.75
31	747-1116	Deck Handle Rod
32	738-04316A	Shoulder Bolt, 5/16-24 x .435 x 1.76
33	783-05627-063	Deck Lift Bracket
34	710-0599	Hex Washer Screw, 1/4-20 x .500
35	731-06291A	Belt Cover

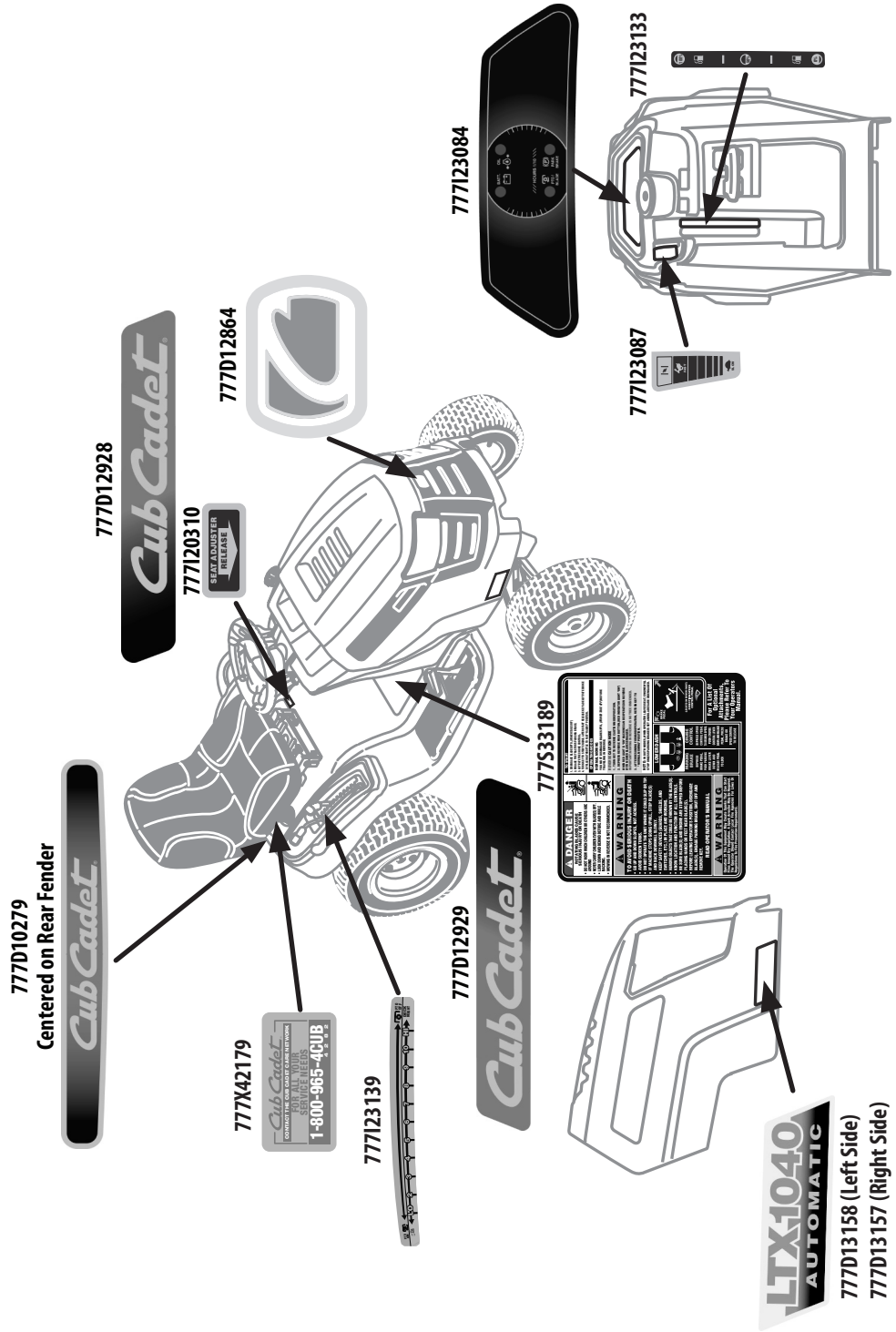
Ref.	Part Number	Description
36A	918-04512A	Spindle Assembly, Drive
36B	918-04516	Spindle Assembly, Driven
37	711-1044A	Belt Guard Pin
38	783-06262-0637	Deck Engage Cable Bracket
39	747-05055	Belt Keeper Rod
40	631-04254	Chute Assembly
41	734-0973	Deck Wheel
42	938-0373	Shoulder Bolt, 3/8-16 x .496 x 1.525
43	710-3178	Carriage Bolt, 3/8-16 x .75
44	712-04063	Flange Lock Nut, 5/16 x 18
45	942-04217	2-in-1 Blade
46	712-0417A	Flange Nut, 5/8-18
47	710-3130	Hex Screw, 3/8-16 x 3.25
48	736-0258	Flat Washer, .385 x 1.0 x .135
49	710-3005	Hex Screw, 3/8-16 x 1.25
50	938-0785	Shoulder Spacer, 1.38 x .445 x .36
51	734-04155	Deck Wheel
52	736-0225	Lock Washer, 5/8
53	912-0641	Hex Nut, M16-1.5
54	683-04492-4021	Deck Assembly
55	756-04372	Pulley (Drive Spindle)
56	750-04724	Spacer, .792 x 1.060 x 1.860 (Drive Spindle)
57	913-04040A	Timing Pulley
58	787-01520	Timing Pulley Plate
59	710-04065	Screw, 1/4-10 x .625
60	936-0287	Flat Washer, .793 x 1.24 x .06
61	941-0919	Ball Bearing, .787 x 1.85 x .551
62	750-04936	Spacer, .792 x 1.060 x 1.860
63	937-3000	Drive Lube Fitting
64	619-04199	Spindle Housing
65	938-04292	Spindle Shaft (Drive Spindle)
—	938-04291	Spindle Shaft (Driven Spindle)
66	736-0315	Flat Washer, .760 x 1.50 x .120
67	938-3056	Shoulder Bolt, 3/8-16 x .50 x 2.5

Wiring Schematic

725-04762



Labels



Deck Labels

777S30018

777S30503

777S32984

777I22914

777D10624

Engine Labels

777D13207/777D13208

777I22679

777X43688

Under Hood

777X43703

MODEL
LTX 1040
REPLACEMENT PARTS

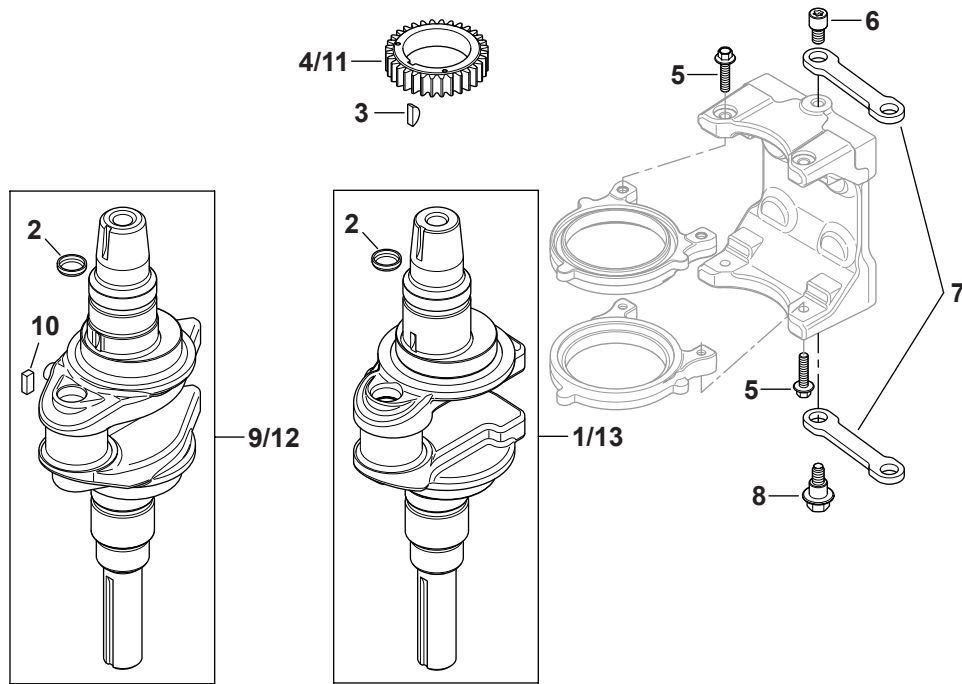
Use only Cub Cadet genuine factory parts

Blades	942-04217 (2)	Ignition Key	725-2054A
Upper Drive Belt	954-04208	Solenoid	725-04439
Lower Drive Belt	954-0467	Oil Filter	KH-12-050-01-S
Deck Spindle Belt (Timing)	954-04167	Air Filter W/ Pre-Cleaner	KH-20-883-02-S1
Engine To Deck Belt	954-04228	Spark Plug	759-3336
Deck Spindles	910-04512A (1) 918-04516 (1)	Fuel Filter	KH-25-050-21-S
		Oil Capacity	51.2 oz

www.cubcadet.com

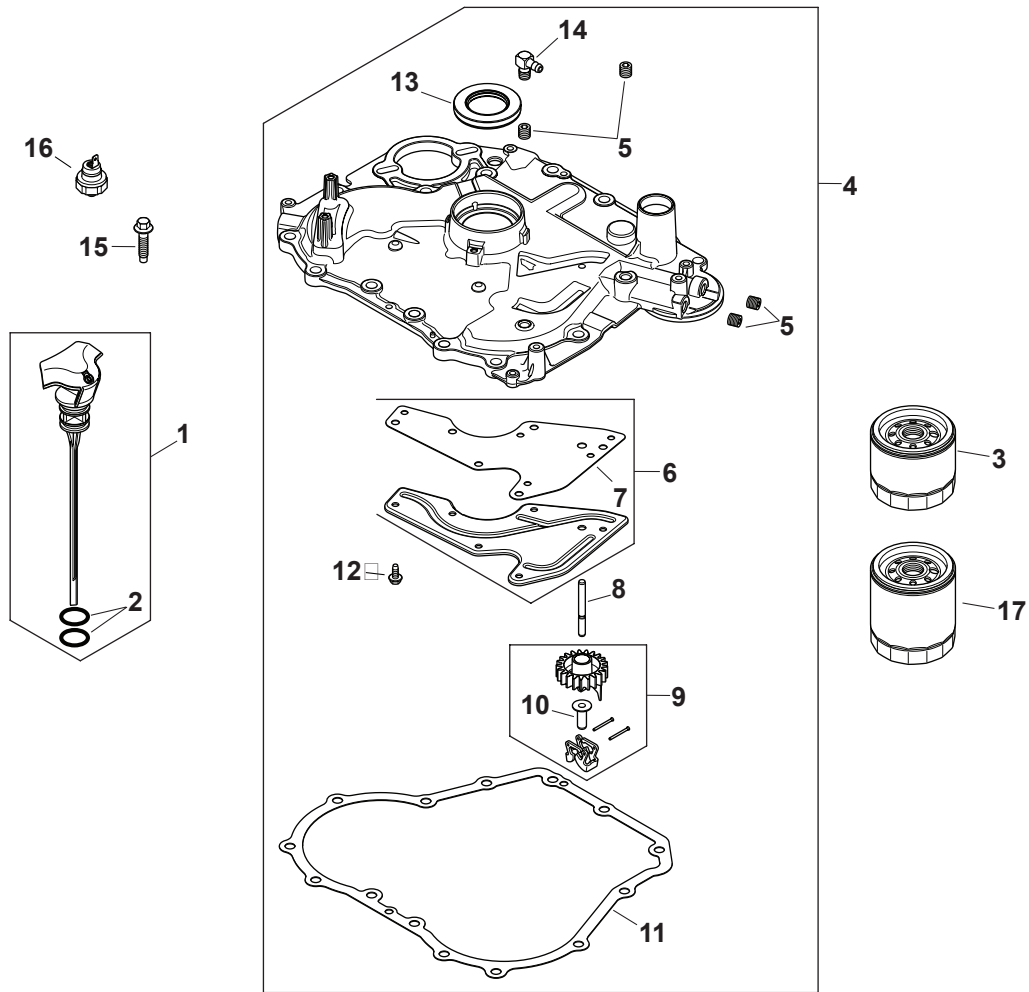
Label is used on all models unless specified, excludes Australian units

Kohler SV590-0220 Crankshaft



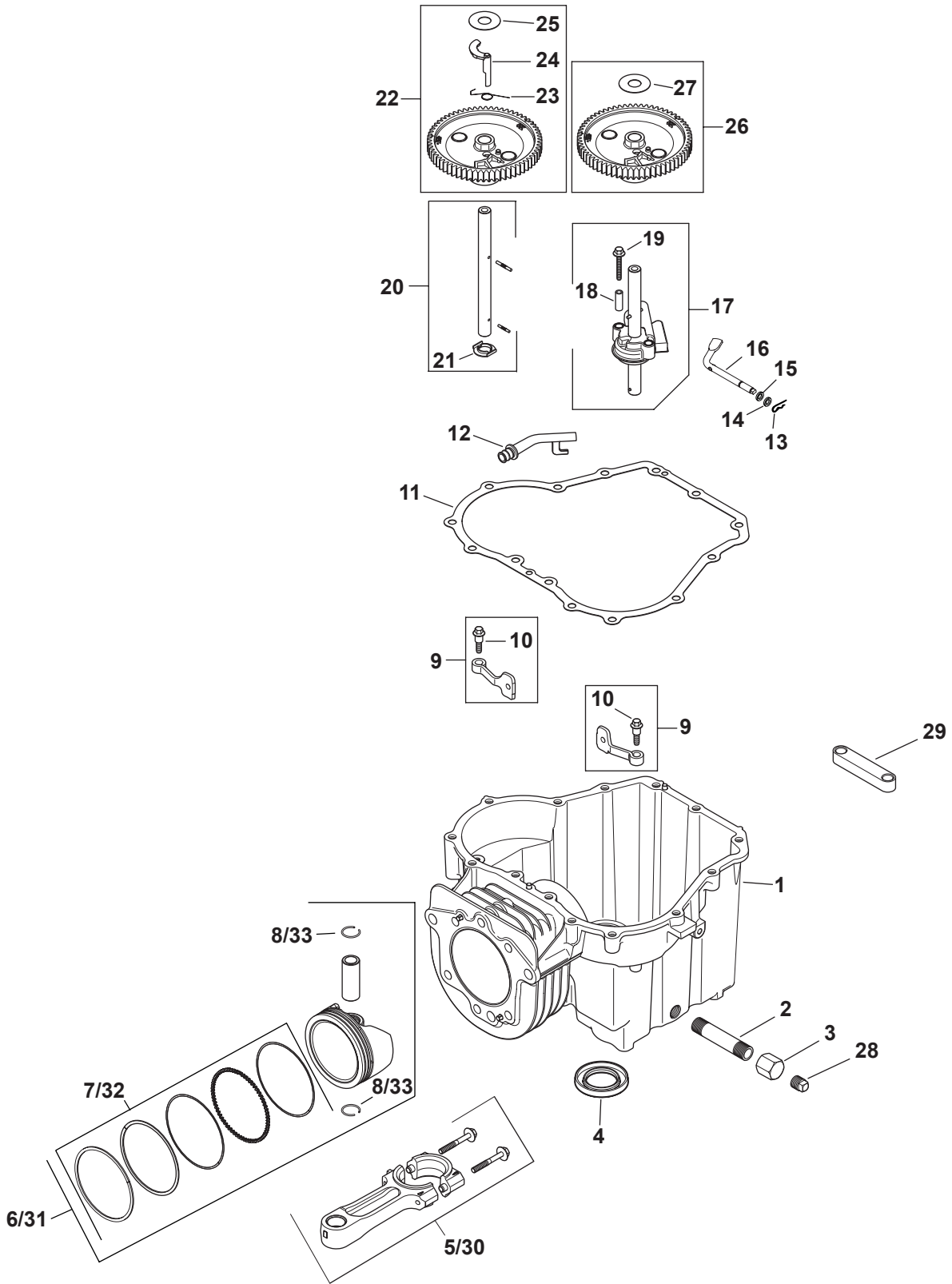
Ref.	Part Number	Description
1	KH-20-014-32-S	Crankshaft Assembly Kit
2	KH-25-139-27-S	Cup Plug
3	KH-X-42-15	Key, $\frac{3}{16}$ X $\frac{5}{8}$
4	KH-20-043-15-S	Crankshaft Gear
5	KH-25-086-137-S	Flange Screw, M6 X 1.0 X 25
6	KH-25-086-214-S	Link Pivot Screw
7	KH-20-186-04-S	Balance Weight Linkage
8	KH-25-086-213-S	Shoulder Screw

Kohler SV590-0220 Oil Pain/Lubrication



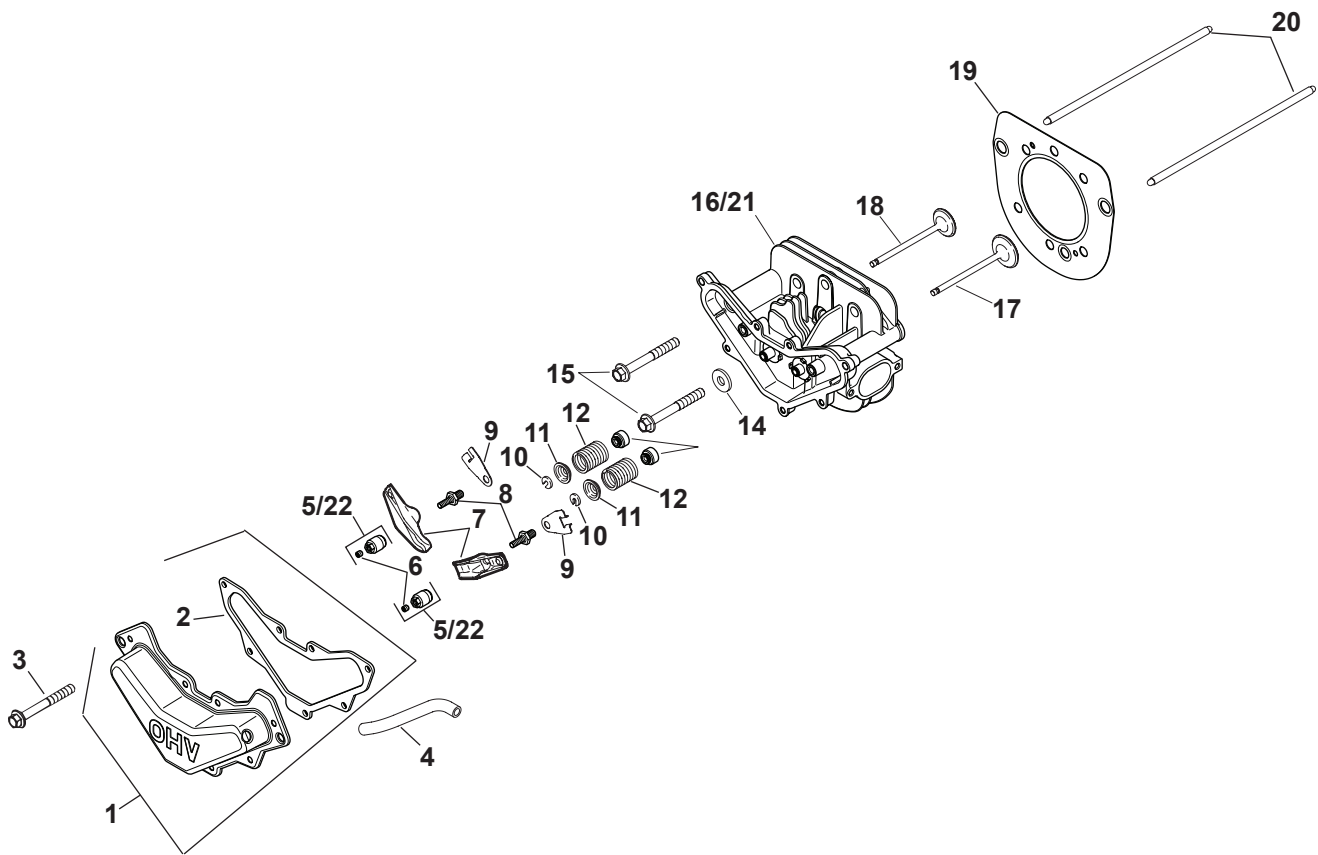
Ref.	Part Number	Description	Ref.	Part Number	Description
1	KH-20-040-06-S	Dipstick Assembly-Std Yellow (Includes 2)	8	KH-20-144-03-S	Governor Cross Shaft
2	KH-20-153-01-S	O-Ring	9	KH-25-310-07-S	Governor Gear Assembly
3	KH-12-050-01-S	Oil Filter	10	KH-12-380-01	Governor Regulating Pin
4	KH-20-009-30-S	Closure Plate Assembly (Includes 5-14)	11	KH-20-041-01-S	Closure Plate Gasket
5	KH-25-139-60-S	Ctsk Pipe Plug, 1/8	12	KH-M-545013-S	Flg. Thd. Frm. Screw, M5 X 0.8 X 13
6	KH-20-096-02-S	Oil Passage Cover Kit (Includes 7)	13	KH-20-032-01-S	Oil Seal
7	KH-20-041-02-S	Oil Passage Gasket	14	KH-25-155-0	90° Hose Connector
			15	KH-25-086-127-S	Hex Flange Screw, 1/2

Kohler SV590-0220 Crankcase



Ref.	Part Number	Description
1	N/A	Crankcase (Use: Short Block)
4	KH-20-032-01-S	Oil Seal
5	KH-20-067-05-S	Connecting Assembly Rod
6	KH-20-874-09-S	Piston W/ Ring Set Kit, 94mm (Includes 7, 8)
7	KH-20-108-04-S	Ring Set (94mm)
8	KH-62-018-04-S	Piston Pin Retainer
9	KH-20-090-01-S	Cam Lever Ass. Kit (Includes 10)
10	KH-20-086-06-S	Shd. Thd. Frm. Screw, M6 X 1 X 26
12	KH-20-123-02-S	Drainback Tube
13	KH-12-154-05	Hitch Pin Clip
14	KH-M-631015	Flat Washer, 6 Mm
15	KH-X-25-102-S	Flat Washer, ¼
16	KH-20-144-02-S	Governor Cross Shaft
17	KH-20-393-02-S	Oil Pump Assembly Kit (Includes 11, 18, 19)
18	KH-20-112-02-S	Oil Pump Screw Spacer
19	KH-20-086-13-S	Oil Pump Screw
20	KH-20-144-11-S	Cam Center Shaft Kit (Includes 21)
21	KH-20-468-08-S	Thrust Washer
22	KH-20-010-04-S	Camshaft Assembly Kit (Includes 23-25)
23	KH-20-089-06-S	Acr. Spring
24	KH-20-044-23-S	Acr. Weight
25	KH-20-468-03-S	Thrust -Acr. Washer
26	KH-20-010-04-S	Camshaft Assembly Kit (Includes 27)
27	KH-20-468-03-S	Thrust -Acr. Washer
28	KH-25-139-57-S	Square Head Pipe Plug, ¾

Kohler SV590-0220 Head/Valve/Breather

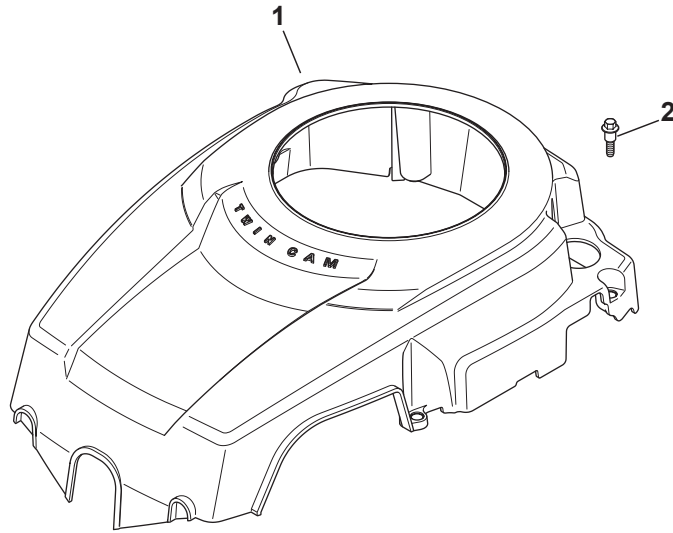


Ref.	Part Number	Description
1	KH-20-096-07-S	Valve Cover Kit (Includes 2)
2	KH-20-041-13-S	Valve Cover Gasket
3	KH-M-645020-S	Flg. Thd. Frm. Screw, M6 X 1.0 X 20
4	KH-20-326-20-S	Breather Hose
5	KH-20-599-04-S	Rocker Pivot Assembly (Includes 6)
6	KH-20-086-04-S	Set Screw
7	KH-20-186-01-S	Rocker Arm
8	KH-20-072-08-S	Rocker Stud
9	KH-20-146-03-S	Push Rod Guide Plate
10	KH-20-062-01-S	Retainer Lock
11	KH-20-173-01-S	Valve Spring Cap
12	KH-20-089-03-S	Valve Spring
14	KH-12-468-05	Flat Washer, ¹³ / ₃₂
15	KH-20-086-02-S	Flange Screw, M10 X 1.5 X 80

Ref.	Part Number	Description
17	KH-20-016-01-S	Exhaust Valve
18	KH-20-017-01-S	Intake Valve
19	KH-20-841-01-S	Cylinder Head Gasket Kit (Includes 2, 13, 14, 23, 24, 25, 26, 27, 28 & 29)
20	KH-20-411-04-S	Rod, Push
21	KH-20-318-11-S	Kit, Cylinder Head (Includes 28 & 29)
22	KH-20-599-03-S	Kit Pivot, Rocker Arm (Includes 6)
23	KH-12-041-01	Carburetor Gasket *
24	KH-12-041-02	Air Cleaner Base Gasket *
25	KH-20-041-12-S	Exhaust Gasket *
26	KH-20-041-18-S	Heat Deflector Gasket *
27	KH-20-041-17-S	Heat Deflector Gasket *
28	KH-25-086-87-S	Hex Socket Head Cap Screw *
29	KH-X-21-1	Spring Lock Washer, ⁵ / ₁₆ *

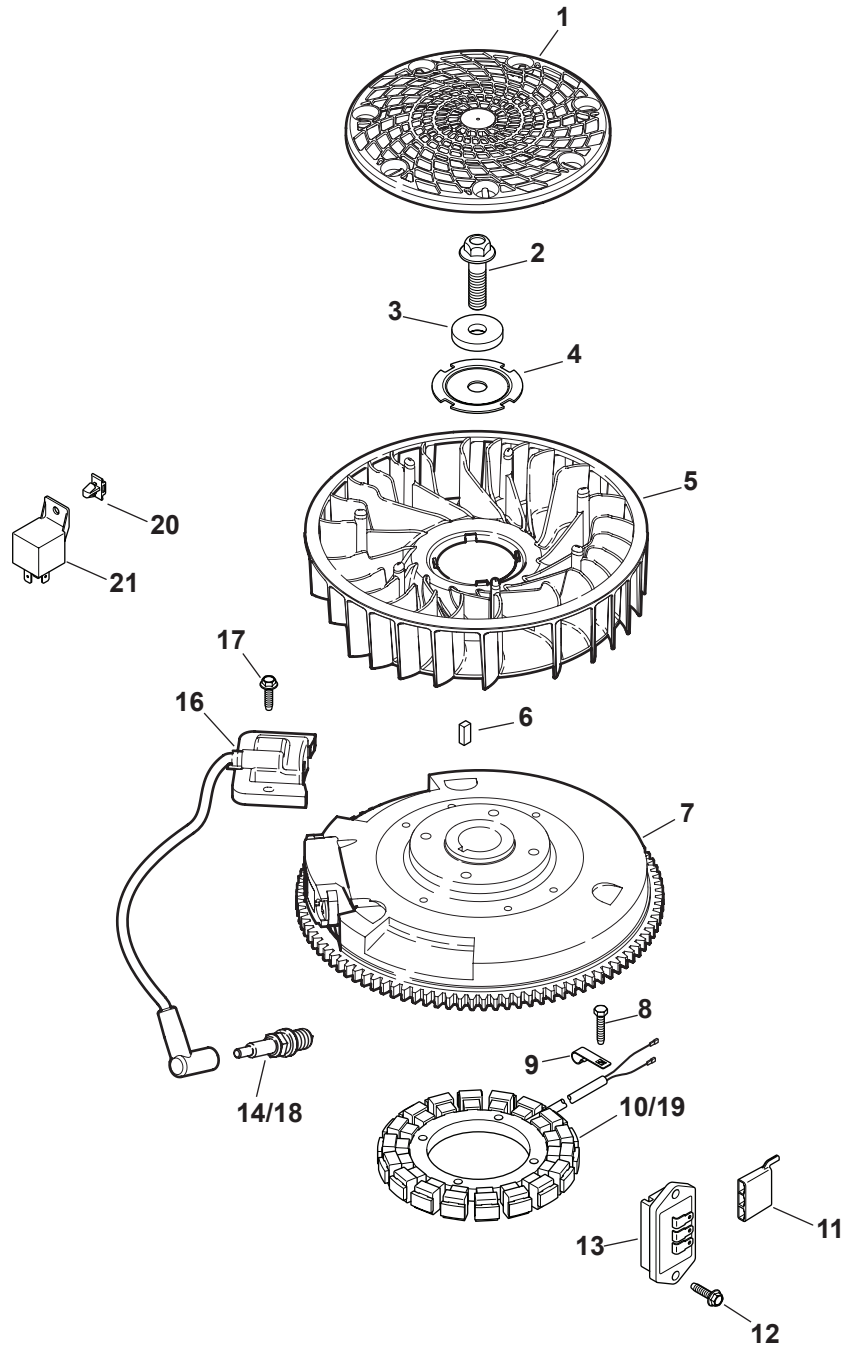
* -- Not Illustrated

Kohler SV590-0220 Blower Housing & Baffles



Ref.	Part Number	Description
1	KH-20-027-07-S	Blower Housing Kit (Inc. 3)
2	KH-20-086-06-S	Shd. Thd. Frm. Screw, M6 X 1 X 26
3	KH-41-037-10-S	Service Nameplate (Not Shown)

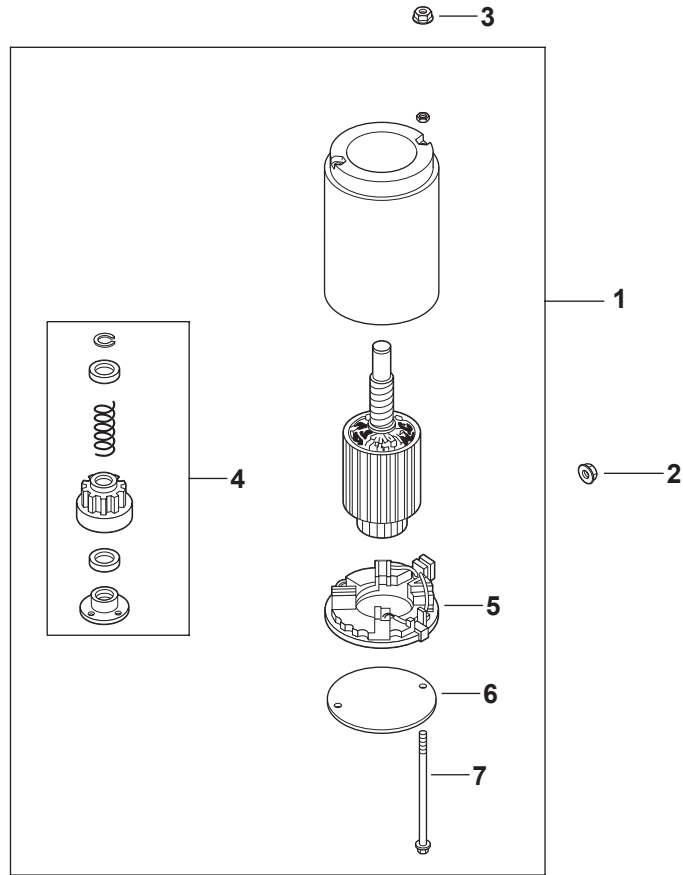
Kohler SV590-0220 Ignition/Electrical



Kohler SV590-0220 Ignition/Electrical

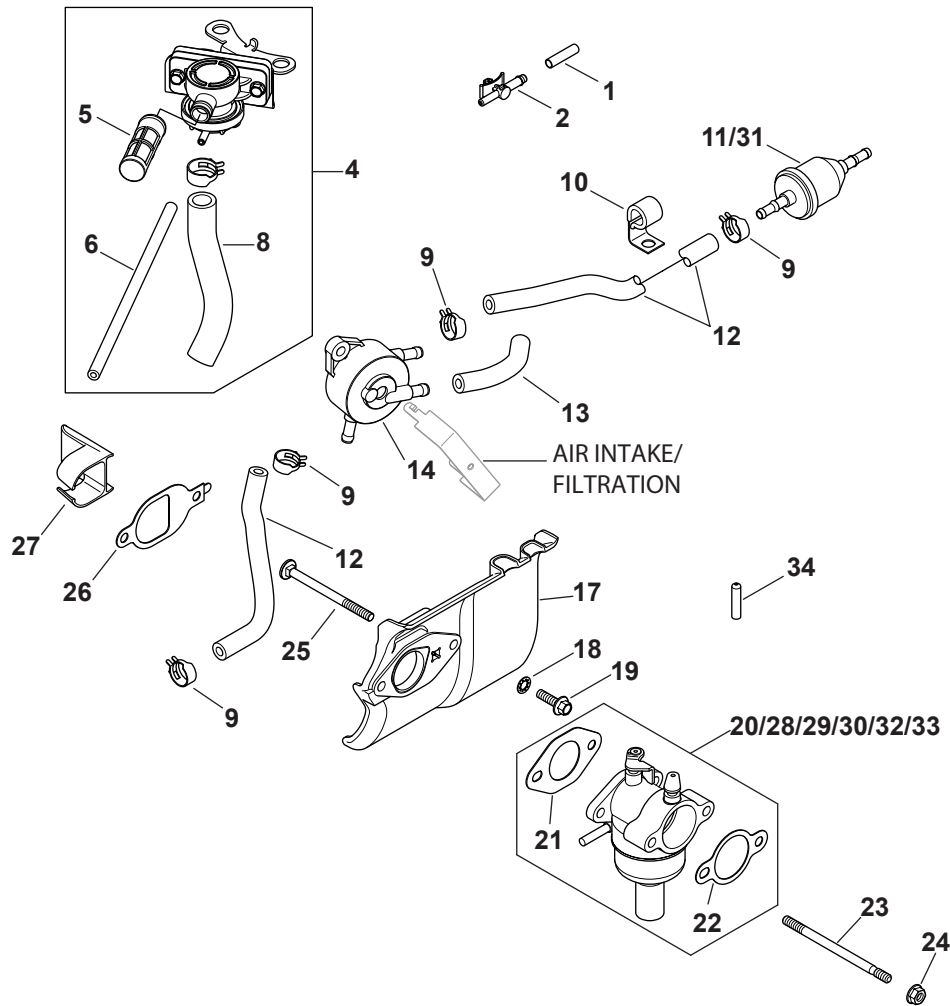
Ref.	Part Number	Description
1	KH-20-162-02-S	Grass Screen
2	KH-25-086-125-S	Hex Flange Screw
3	KH-25-468-09-S	Flat Washer
4	KH-20-146-05-S	Fan Mounting Plate
5	KH-20-157-01-S	Fan
6	KH-25-340-02-S	Straight Flywheel Key
7	KH-20-025-40-S	Flywheel
8	KH-M-548025-S	Thd. Frm. Screw, M5 X 0.8 X 25
9	KH-20-154-04-S	Wire Clip
10	KH-237878	15 Amp Stator Kit (Inc. KH-25-452-01-S)
11	KH-25-155-41-S	Connector
12	KH-M-545020-S	Flg. Thd. Frm. Screw, M5 X .8 X 20
13	KH-41-403-10-S	Regulator/Rectifier
16	KH-20-584-03-S	Ignition Module (CDI Fixed)
17	KH-M-545020-S	Flg. Thd. Frm., M5 X .8 X 20
18	759-3336	Spark Plug (Std)
—	KH-20-176-16-S	Wiring Harness
—	KH-25-454-05-S	Tie

Kohler SV590-0220 Starting System



Ref.	Part Number	Description
1	KH-20-098-05-S	Starter Assembly (Inc. 4-7)
3	KH-25-100-31-S	Free Spinning Flg. Nut, #10-24
4	KH-20-755-12-S	Drive Kit (J.E.)
5	KH-12-221-02-S	Brush Kit
6	KH-20-227-01-S	Drive End Cap (J.E.)
7	KH-20-211-02-S	Thru Bolt

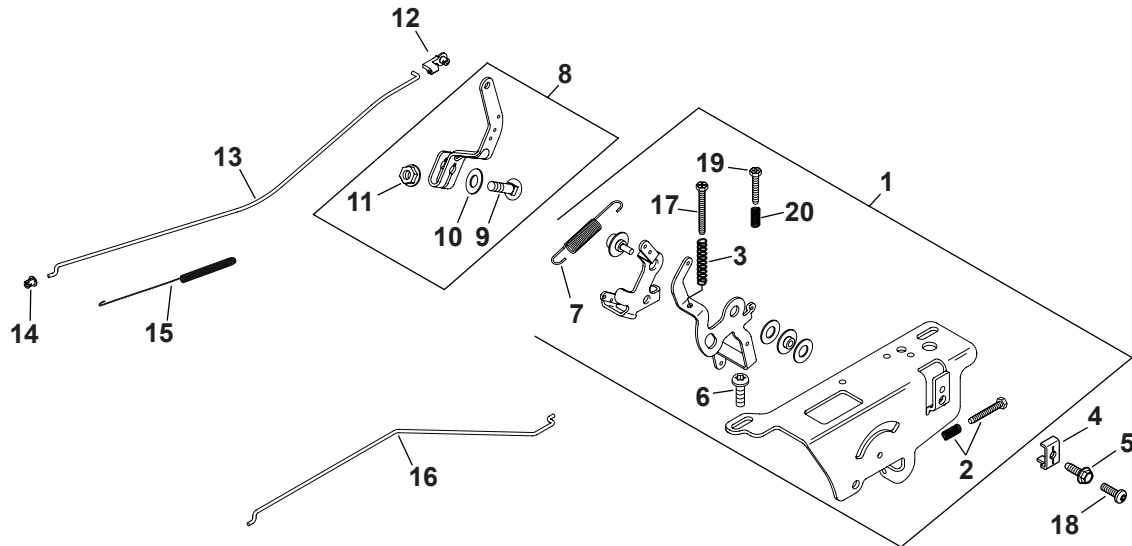
Kohler SV590-0220 Fuel System



Ref.	Part-Number	Description
1	KH-25-173-23-S	Masking Cap
2	KH-25-155-40-S	SAI Connector
9	KH-25-237-14-S	Hose Clamp, ½
12	KH-25-111-34-S	Fuel Line
17	KH-20-265-09-S	Heat Deflector Kit
18	KH-X-22-11	Int. Tooth Lock Washer, ¼
19	KH-M-651020-S	Flange Screw, M6 X 1.0 X 20
23	KH-20-072-05-S	Stud, M6 X 1.0 X 100
24	KH-M-641060-S	Flange Nut, M6 X 1.0
25	KH-20-072-07-S	Carburetor Stud
26	KH-20-041-18-S	Heat Deflector Gasket

Ref.	Part-Number	Description
30	KH-20-853-35-S	Carburetor Kit (Inc. 21 & 22)
31	KH-25-050-21-S	Fuel Filter
—	KH-25-454-05-S	Tie
—	KH-12-755-109-S	High Altitude Kit
—	KH-12-755-110-S	Choke Repair Kit
—	KH-12-757-02	Float Repair Kit
—	KH-12-757-03	Carburetor Repair Kit
—	KH-12-757-33	Solenoid Repair Kit
—	KH-12-757-37-S	Bowl Replacement Repair Kit
—	KH-20-755-07-S	High Altitude Kit

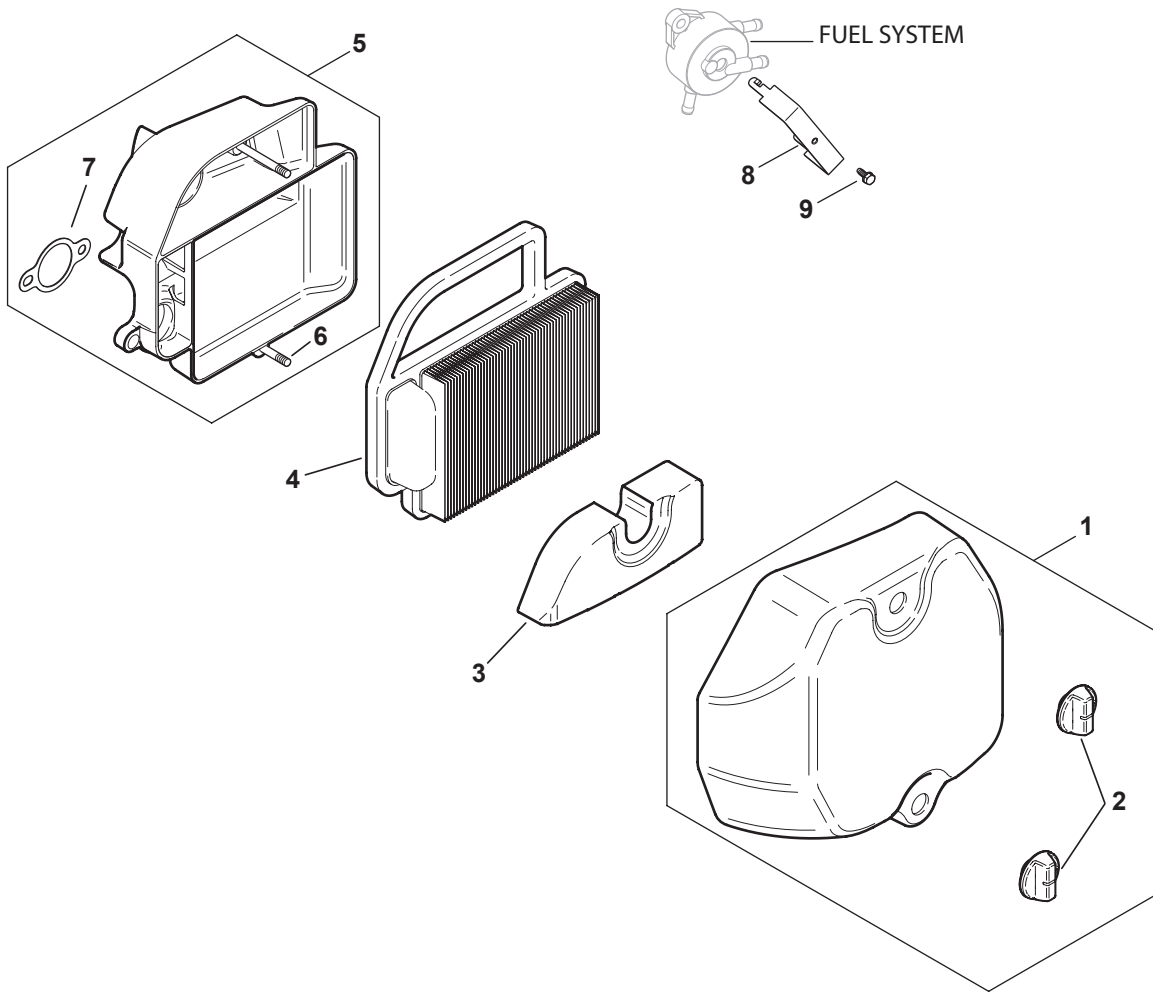
Kohler SV590-0220 Engine Controls



Ref.	Part-Number	Description
1	KH-20-536-06-S	Speed Control Assembly Kit (Inc. 2, 3, 6, 7, 17, 19, 20)
2	KH-25-086-297-S	Idle Adj. Screw & Spring Kit
4	KH-12-237-01	Cable Clamp
5	KH-M-545016-S	Flg. Thd. Frm. Screw, M5 X 0.8 X 16
6	KH-M-664020-S	Lbd. Skt. Screw, M6 X 1.0 X 20
7	KH-20-089-11-S	Governor Spring
8	KH-20-090-11-S	Governor Assembly Lever (Inc. 9-11)
9	KH-52-211-04	Rd. Hd. Sq. Nck. Bolt, 1/4-20 X 1

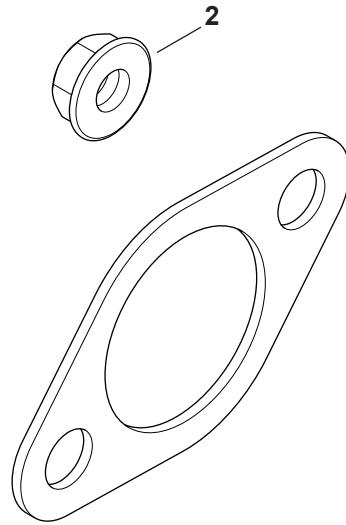
Ref.	Part-Number	Description
10	KH-X-22-11	Int. Tooth Lock Washer, 1/4
11	KH-12-100-07	Hex Flange Nut, 1/4-20
12	KH-25-158-11	Throttle Linkage Bushing
13	KH-20-079-07-S	Throttle Linkage
14	KH-25-158-08	Linkage Retaining Bushing
15	KH-20-089-10-S	Linkage Spring
16	KH-20-079-05-S	Choke Linkage
19	KH-20-086-10-S	Phl. Thd. Frm. Screw, M4 X 0.7 X 25
20	KH-12-089-11	Speed Control Spring (Short)

Kohler SV590-0220 Air Intake/Filtration



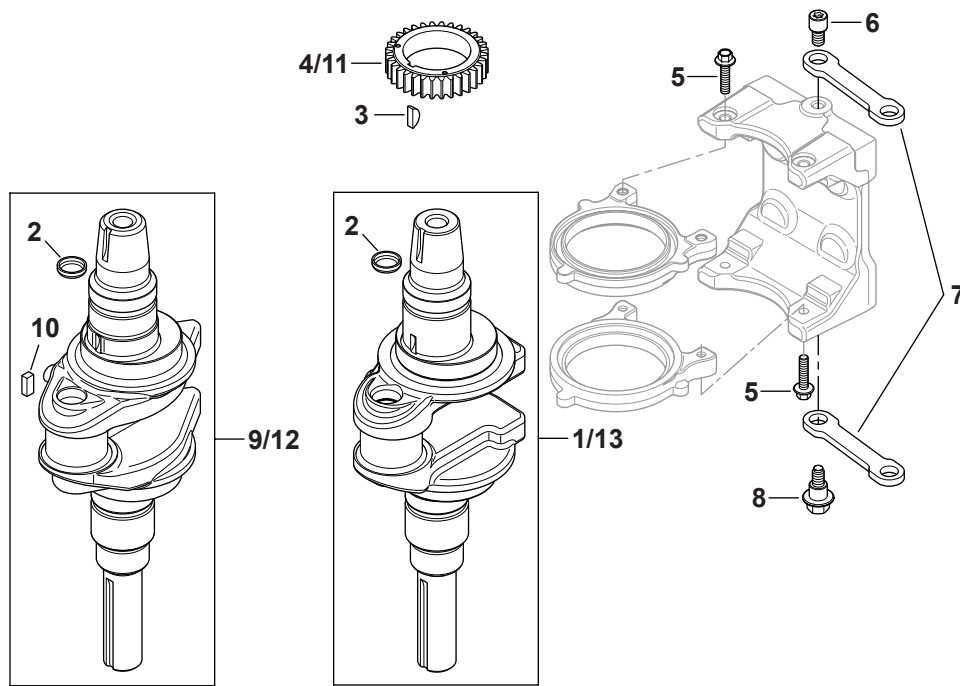
Ref.	Part Number	Description
1	KH-20-096-04-S	Air Cleaner Cover Kit (Inc. 2)
2	KH-25-341-04-S	Cover
3	KH-20-083-03-S	Pre-Cleaner Element (Dry)
4	KH-20-083-02-S	Air Cleaner Element
5	KH-20-094-04-S	Air Cleaner Base Kit (Inc. 6, 7)
6	KH-20-072-04-S	Air Cleaner Base Stud
7	KH-12-041-02	Air Cleaner Base Gasket

Kohler SV590-0220 Miscellaneous

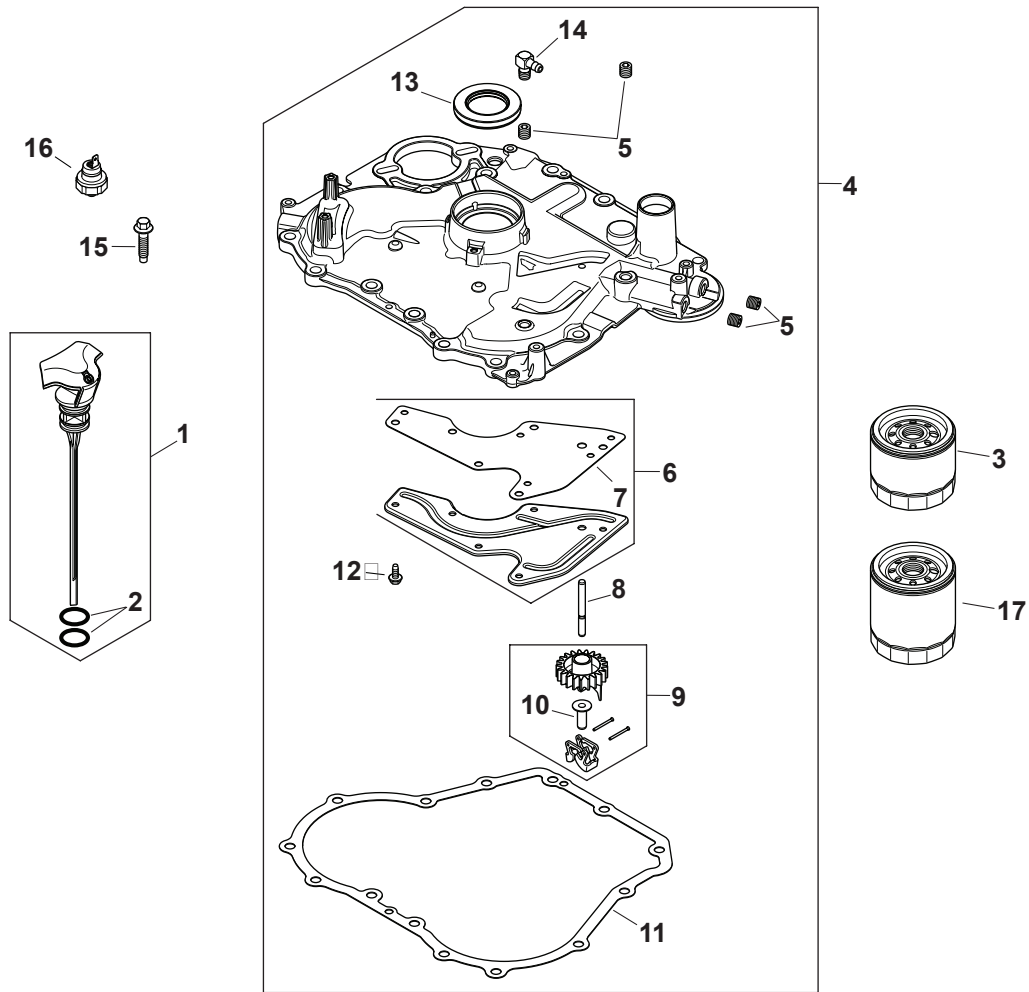


Ref.	Part Number	Description
2	KH-12-100-07	Flange Nut
N/A	Decals	
	KH-25-113-39-S	Clear Laminate Decal
	KH-20-113-13-S	19HP
N/A	KH-20-522-05	SV590/600 Short Block
N/A	KH-20-755-05-S	Gasket Set

Kohler SV590-3222 Crankshaft

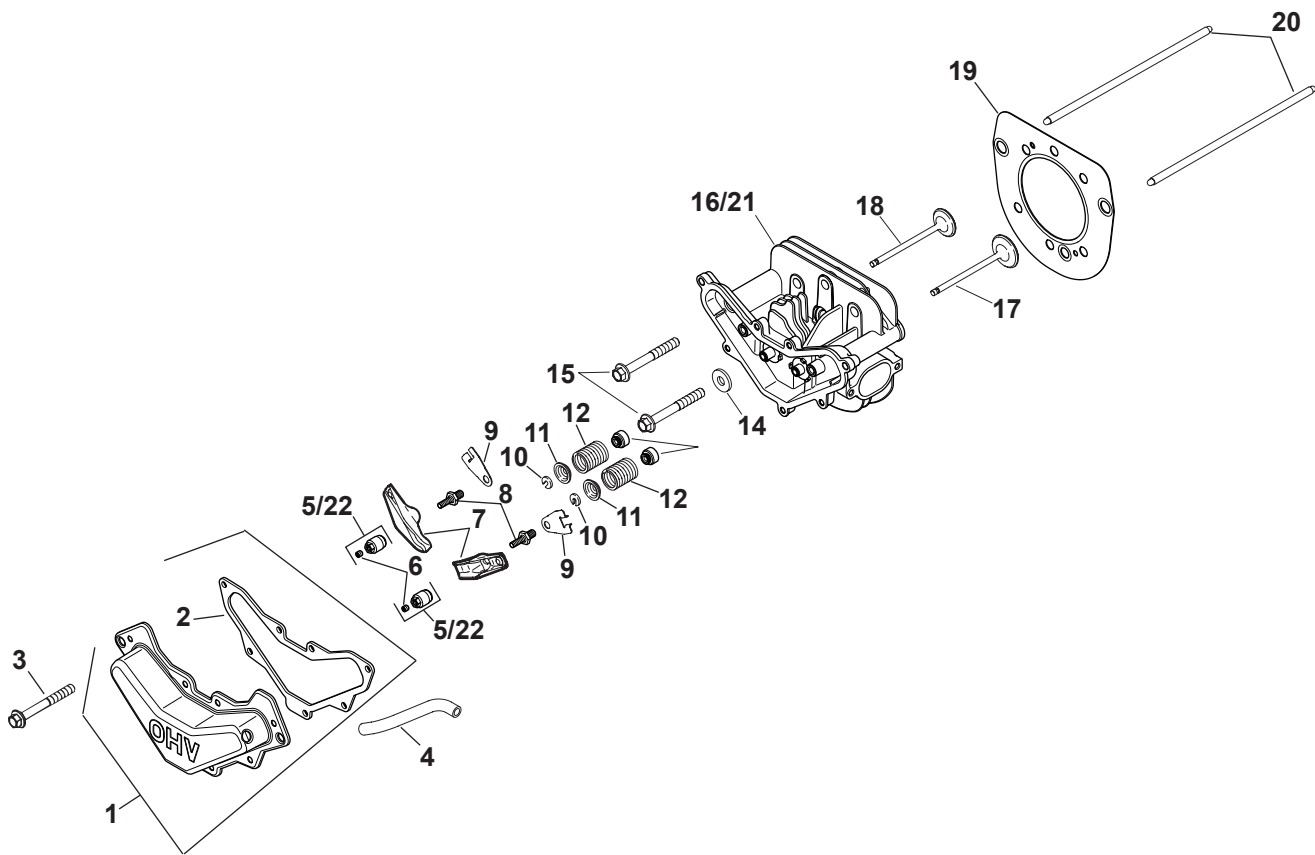


Ref.	Part Number	Description
1	KH-20-014-32-S	Crankshaft Assembly Kit
2	KH-25-139-27-S	Cup Plug
3	KH-X-42-15	Key, $\frac{3}{16} \times \frac{5}{8}$
4	KH-20-043-15-S	Crankshaft Gear
5	KH-25-086-137-S	Flange Screw, M6 X 1.0 X 25
6	KH-25-086-214-S	Link Pivot Screw
7	KH-20-186-04-S	Balance Weight Linkage
8	KH-25-086-213-S	Shoulder Screw



Ref.	Part Number	Description	Ref.	Part Number	Description
1	KH-20-040-06-S	Dipstick Assembly-Std Yellow (Includes 2)	8	KH-20-144-03-S	Governor Cross Shaft
2	KH-20-153-01-S	O-Ring	9	KH-25-310-07-S	Governor Gear Assembly
3	KH-12-050-01-S	Oil Filter	10	KH-12-380-01	Governor Regulating Pin
4	KH-20-009-30-S	Closure Plate Assembly (Includes 5-14)	11	KH-20-041-01-S	Closure Plate Gasket
5	KH-25-139-60-S	Ctsk. Pipe Plug, 1/8	12	KH-M-545013-S	Flg. Thd. Frm. Screw, M5 X 0.8 X 13
6	KH-20-096-02-S	Oil Passage Cover Kit (Includes 7)	13	KH-20-032-01-S	Oil Seal
7	KH-20-041-02-S	Oil Passage Gasket	14	KH-25-155-02	90° Hose Connector
			15	KH-25-086-127-S	Hex Flange Screw, 1/2

Kohler SV590-3222 Head/Valve/Breather

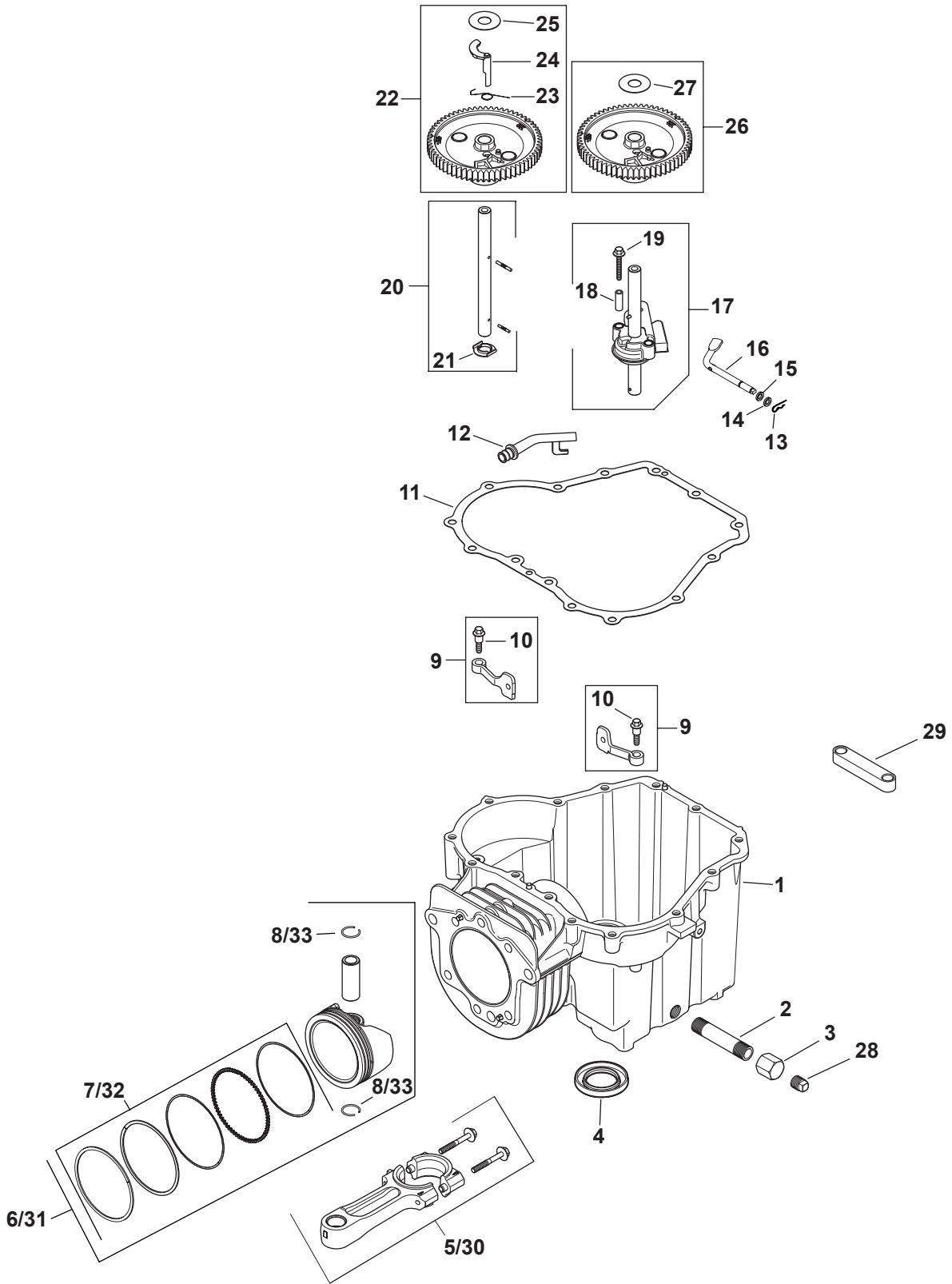


Ref.	Part Number	Description
1	KH-20-041-13-S	Valve Cover Gasket
2	KH-M-645020-S	Flg. Thd. Frm. Screw, M6 X 1.0 X 20
3	KH-20-326-20-S	Breather Hose
4	KH-20-599-04-S	Rocker Pivot Assembly (Inc. 6)
5	KH-20-086-04-S	Set Screw
6	KH-20-186-01-S	Rocker Arm
7	KH-20-072-08-S	Rocker Stud
8	KH-20-146-03-S	Push Rod Guide Plate
9	KH-20-062-01-S	Retainer Lock
10	KH-20-173-01-S	Valve Spring Cap
11	KH-20-089-03-S	Valve Spring
12	KH-28-032-01-S	Valve Stem Seal
14	KH-12-468-05	Flat Washer, 1 ³ / ₃₂
15	KH-20-086-02-S	Flange Screw, M10 X 1.5 X 80

Ref.	Part Number	Description
17	KH-20-016-01-S	Exhaust Valve
18	KH-20-017-01-S	Intake Valve
19	KH-20-841-01-S	Cylinder Head Gasket Kit (Inc. 2, 13, 14, 23, 24, 25, 26, 27, 28 & 29)
20	KH-20-411-04-S	Rod, Push
21	KH-20-318-11-S	Kit, Cylinder Head Kit (Inc. 28 & 29)
22	KH-20-599-03-S	Rocker Arm Pivot Kit(Includes 6)
23	KH-12-041-01	Carburetor Gasket *
24	KH-12-041-02	Air Cleaner Base Gasket *
25	KH-20-041-12-S	Exhaust Gasket *
26	KH-20-041-18-S	Heat Deflector Gasket *
27	KH-20-041-17-S	Heat Deflector Gasket *
28	KH-25-086-87-S	Hex Socket Head Cap Screw *
29	KH-X-21-1	Spring Lock Washer, 5/16 *

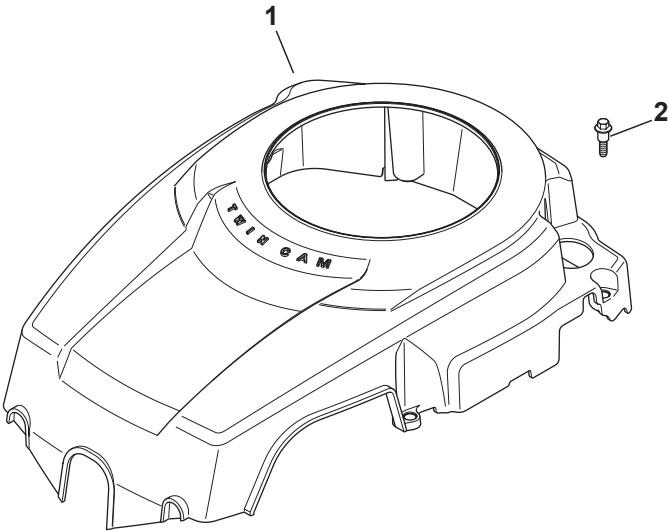
* -- Not Illustrated

Kohler SV590-3222 Crankcase



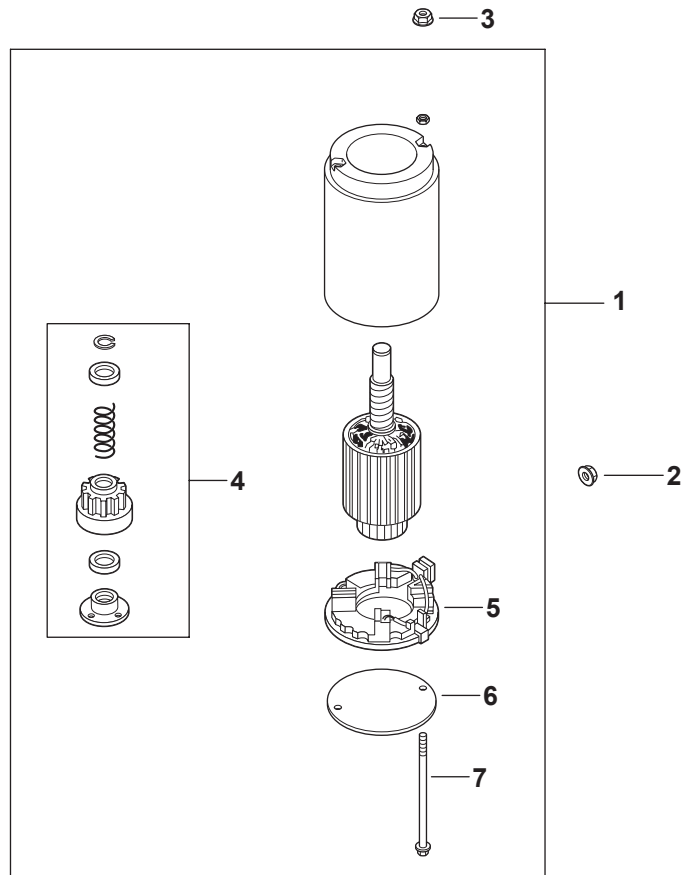
Ref.	Part Number	Description
1	N/A	Crankcase (Use: Short Block)
4	KH-20-032-01-S	Oil Seal
5	KH-20-067-05-S	Connecting Assembly Rod
6	KH-20-874-09-S	Piston W/ Ring Set Kit, 94mm (Includes 7, 8)
7	KH-20-108-04-S	Ring Set (94mm)
8	KH-62-018-04-S	Piston Pin Retainer
9	KH-20-090-01-S	Cam Lever Ass. Kit (Includes 10)
10	KH-20-086-06-S	Shd. Thd. Frm. Screw, M6 X 1 X 26
12	KH-20-123-02-S	Drainback Tube
13	KH-12-154-05	Hitch Pin Clip
14	KH-M-631015	Flat Washer, 6 Mm
15	KH-X-25-102-S	Flat Washer, ¼
16	KH-20-144-02-S	Governor Cross Shaft
17	KH-20-393-02-S	Oil Pump Assembly Kit (Includes 11, 18, 19)
18	KH-20-112-02-S	Oil Pump Screw Spacer
19	KH-20-086-13-S	Oil Pump Screw
20	KH-20-144-11-S	Cam Center Shaft Kit (Includes 21)
21	KH-20-468-08-S	Thrust Washer
22	KH-20-010-04-S	Camshaft Assembly Kit (Includes 23-25)
23	KH-20-089-06-S	Acr. Spring
24	KH-20-044-23-S	Acr. Weight
25	KH-20-468-03-S	Thrust -Acr. Washer
26	KH-20-010-04-S	Camshaft Assembly Kit (Includes 27)
27	KH-20-468-03-S	Thrust -Acr. Washer
28	KH-25-139-57-S	Square Head Pipe Plug, ¾

Kohler SV590-3222 Blower Housing & Baffles



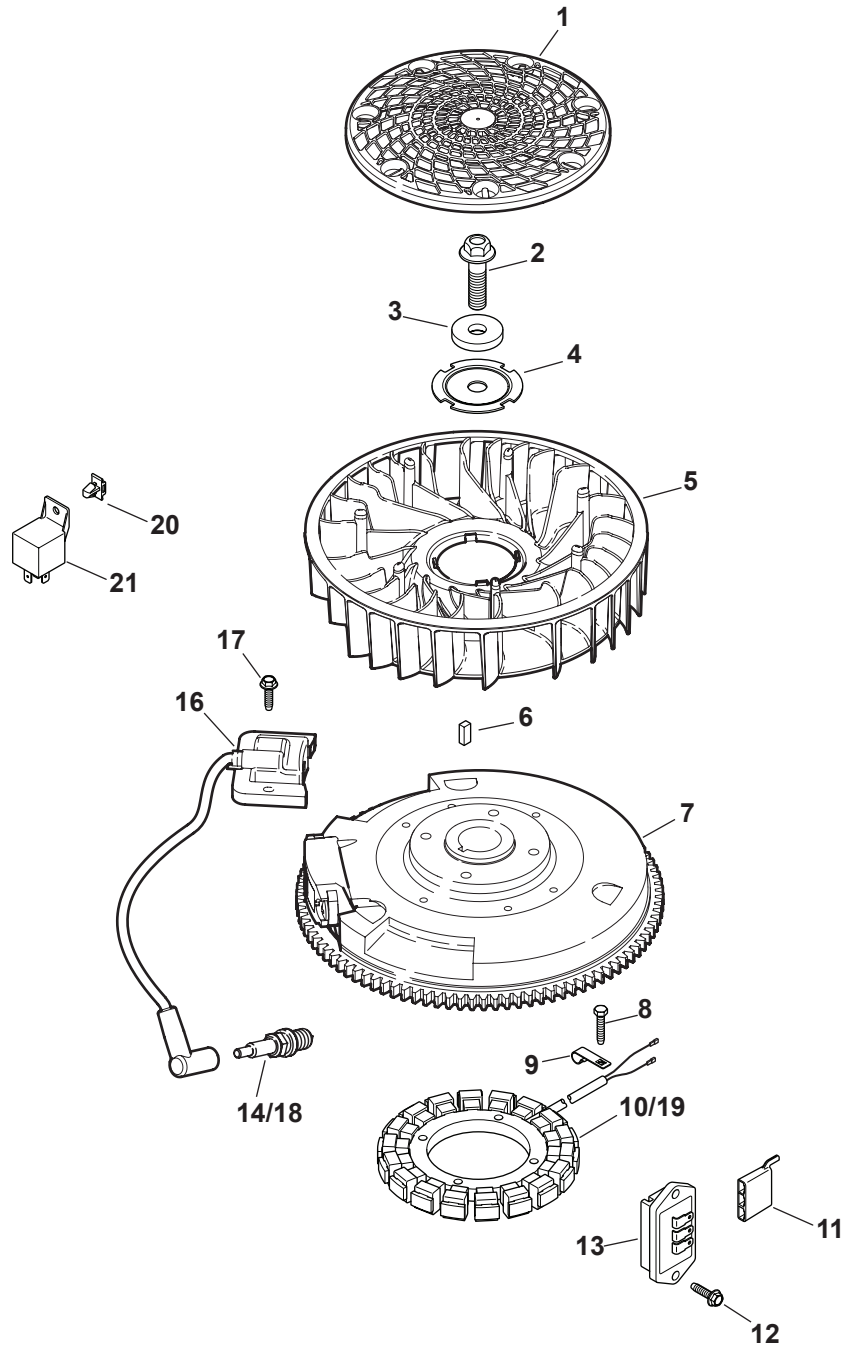
Ref.	Part Number	Description
1	KH-20-027-07-S	Blower Housing Kit (Inc. 3)
2	KH-20-086-06-S	Shd. Thd. Frm. Screw, M6 X 1 X 26
3	KH-41-037-10-S	Service Nameplate (Not Shown)

Kohler SV590-3222 Starting System



Ref.	Part Number	Description
1	KH-20-098-05-S	Starter Assembly (Inc. 4-7)
3	KH-25-100-31-S	Free Spinning Flg. Nut, #10-24
4	KH-20-755-12-S	Drive Kit (J.E.)
5	KH-12-221-02-S	Brush Kit
6	KH-20-227-01-S	Drive End Cap (J.E.)
7	KH-20-211-02-S	Thru Bolt

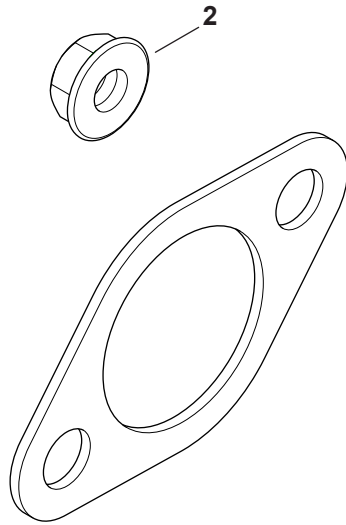
Kohler SV590-3222 Ignition/Electrical



Kohler SV590-3222 Ignition/Electrical

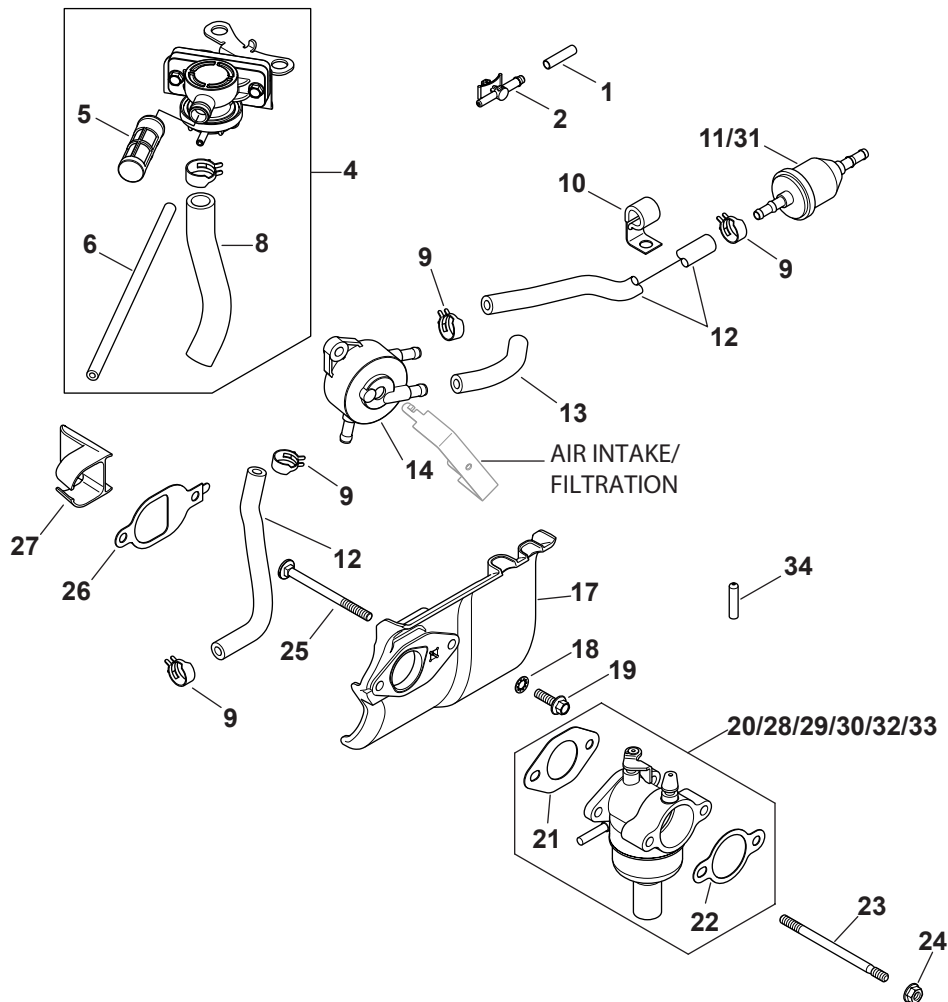
Ref.	Part Number	Description
1	KH-20-162-02-S	Grass Screen
2	KH-25-086-125-S	Hex Flange Screw
3	KH-25-468-09-S	Flat Washer
4	KH-20-146-05-S	Fan Mounting Plate
5	KH-20-157-01-S	Fan
6	KH-25-340-02-S	Straight Flywheel Key
7	KH-20-025-40-S	Flywheel
8	KH-M-548025-S	Thd. Frm. Screw, M5 X 0.8 X 25
9	KH-20-154-04-S	Wire Clip
10	KH-237878	15 Amp Stator Kit (Inc. KH-25-452-01-S)
11	KH-25-155-41-S	Connector
12	KH-M-545020-S	Flg. Thd. Frm. Screw, M5 X .8 X 20
13	KH-41-403-10-S	Regulator/Rectifier
16	KH-20-584-03-S	Ignition Module (CDI Fixed)
17	KH-M-545020-S	Flg. Thd. Frm., M5 X .8 X 20
18	759-3336	Spark Plug
—	KH-20-176-16-S	Wiring Harness
—	KH-25-454-05-S	Tie

Kohler SV590-3222 Miscellaneous



Ref.	Part Number	Description
2	KH-12-100-07	Flange Nut
N/A	Decals	
	KH-25-113-39-S	Clear Laminate Decal
	KH-20-113-13-S	19HP
N/A	KH-20-522-05	SV590/600 Short Block
N/A	KH-20-755-05-S	Gasket Set

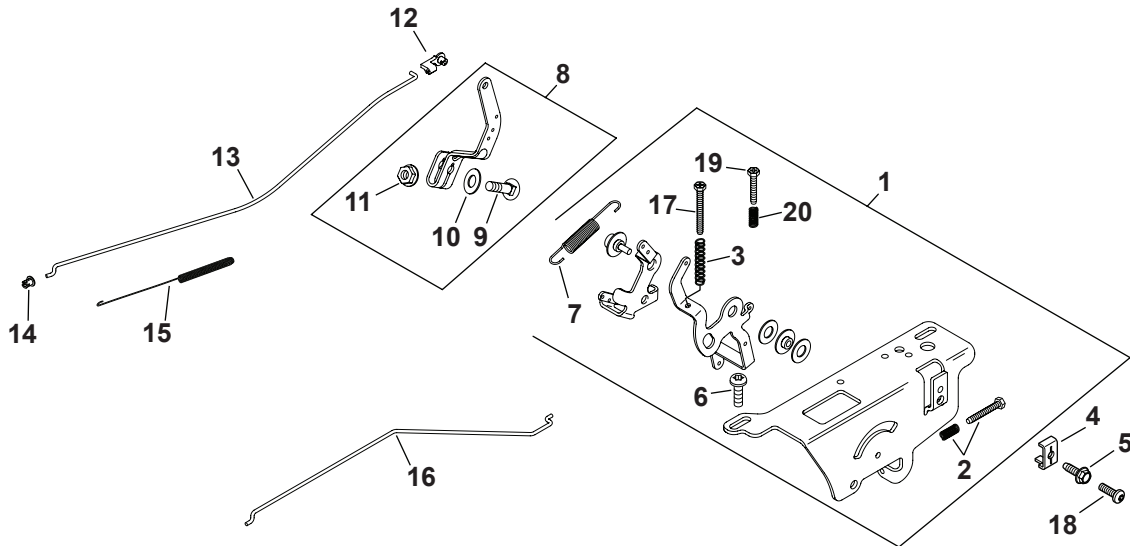
Kohler SV590-3222 Fuel System



Ref.	Part-Number	Description
1	KH-25-173-23-S	Masking Cap
2	KH-25-155-40-S	SAI Connector
9	KH-25-237-14-S	Hose Clamp, ½
10	KH-47-154-01-S	Cable Clip
11	KH-25-050-22-S1	Fuel Filter
12	KH-25-111-34-S	Fuel Line
12	KH-25-111-34-S	Fuel Line
13	KH-12-353-10	Fuel Line
14	KH-24-393-16	Fuel Pump
17	KH-20-265-09-S	Heat Deflector Kit
18	KH-X-22-11	Int. Tooth Lock Washer, ¼
19	KH-M-651020-S	Flange Screw, M6 X 1.0 X 20
23	KH-20-072-05-S	Stud, M6 X 1.0 X 100

Ref.	Part-Number	Description
24	KH-M-641060-S	Flange Nut, M6 X 1.0
25	KH-20-072-07-S	Carburetor Stud
26	KH-20-041-18-S	Heat Deflector Gasket
33	KH-20-853-37-S	Carb Tier III Walbro Kit (Inc. 21, 22)
34	KH-25-173-25-S	Masking Cap
—	KH-25-454-05-S	Tie
—	KH-12-755-109-S	High Altitude Kit
—	KH-12-755-110-S	Choke Repair Kit
—	KH-12-757-02	Float Repair Kit
—	KH-12-757-03	Carburetor Repair Kit
—	KH-12-757-33	Solenoid Repair Kit
—	KH-12-757-37-S	Bowl Replacement Repair Kit
—	KH-20-755-07-S	High Altitude Kit

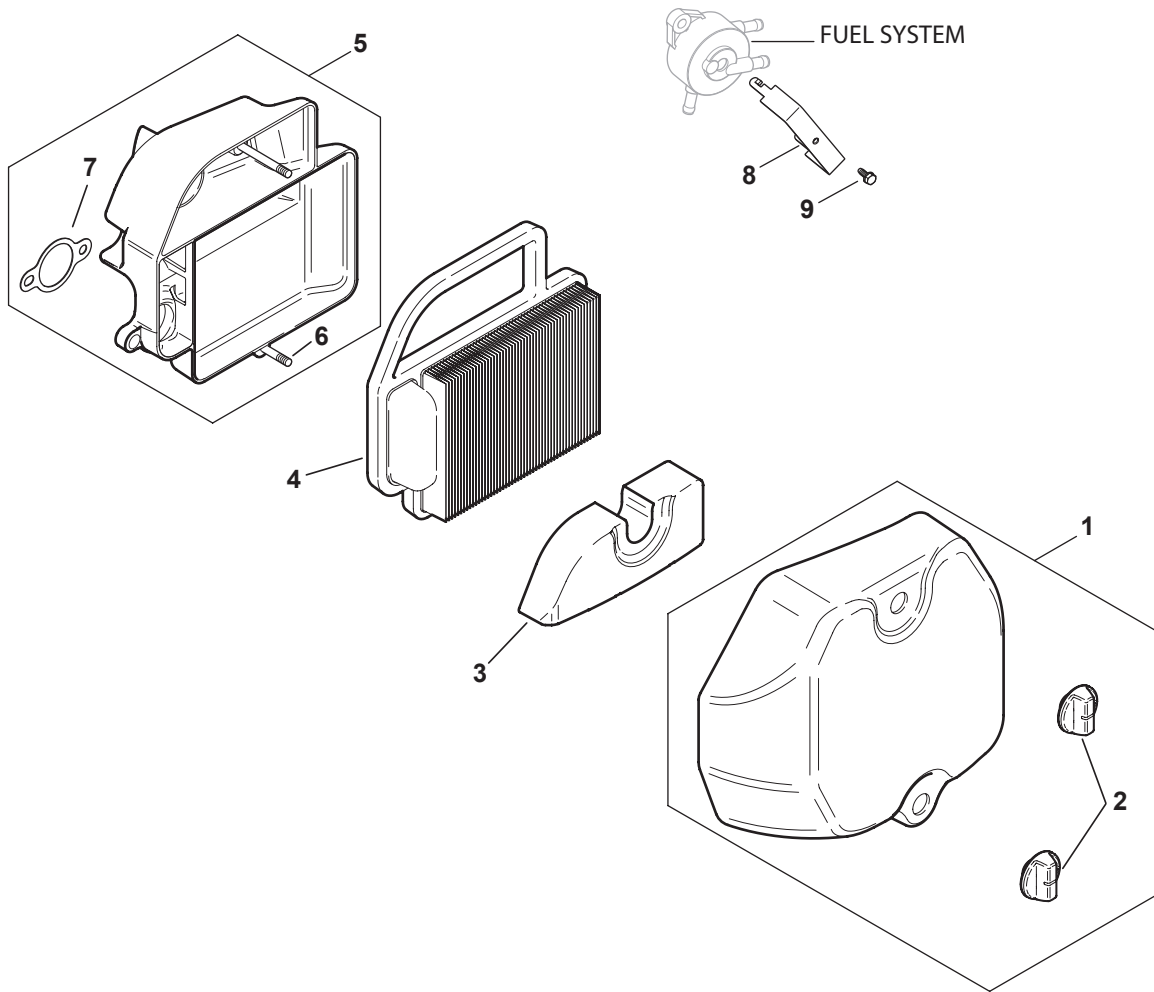
Kohler SV590-3222 Engine Controls



Ref.	Part-Number	Description
1	KH-20-536-06-S	Speed Control Assembly Kit (Inc. 2, 3, 6, 7, 17, 19, 20)
2	KH-25-086-297-S	Idle Adj. Screw & Spring Kit
4	KH-12-237-01	Cable Clamp
5	KH-M-545016-S	Flg. Thd. Frm. Screw, M5 X 0.8 X 16
6	KH-M-664020-S	Lbd. Skt. Screw, M6 X 1.0 X 20
7	KH-20-089-11-S	Governor Spring
8	KH-20-090-11-S	Governor Assembly Lever (Inc. 9-11)
9	KH-52-211-04	Rd. Hd. Sq. Nck. Bolt, ¼-20 X 1

Ref.	Part-Number	Description
10	KH-X-22-11	Int. Tooth Lock Washer, ¼
11	KH-12-100-07	Hex Flange Nut, ¼-20
12	KH-25-158-11	Throttle Linkage Bushing
13	KH-20-079-07-S	Throttle Linkage
14	KH-25-158-08	Linkage Retaining Bushing
15	KH-20-089-10-S	Linkage Spring
16	KH-20-079-05-S	Choke Linkage
19	KH-20-086-10-S	Phl. Thd. Frm. Screw, M4 X 0.7 X 25
20	KH-12-089-11	Speed Control Spring (Short)

Kohler SV590-3222 Air Intake/Filtration



Ref.	Part Number	Description
1	KH-20-096-04-S	Air Cleaner Cover Kit (Inc. 2)
2	KH-25-341-04-S	Cover Knob
3	KH-20-083-03-S	Pre-Cleaner Element (Dry)
4	KH-20-083-02-S	Air Cleaner Element
5	KH-20-094-04-S	Air Cleaner Base Kit (Inc. 6, 7)
6	KH-20-072-04-S	Air Cleaner Base Stud
7	KH-12-041-02	Air Cleaner Base Gasket



To order replacement parts, call a Customer Support Representative at (800) 965-4CUB.
Locate your nearest Cub Cadet dealer at (877) 282-8684
or visit www.cubcadet.com to find the nearest Cub Cadet dealer in your area.

CUB CADET LLC, P.O. BOX 361131 CLEVELAND, OHIO 44136-0019
