

Cub Cadet[®]

Parts Manual

SERIES 1000

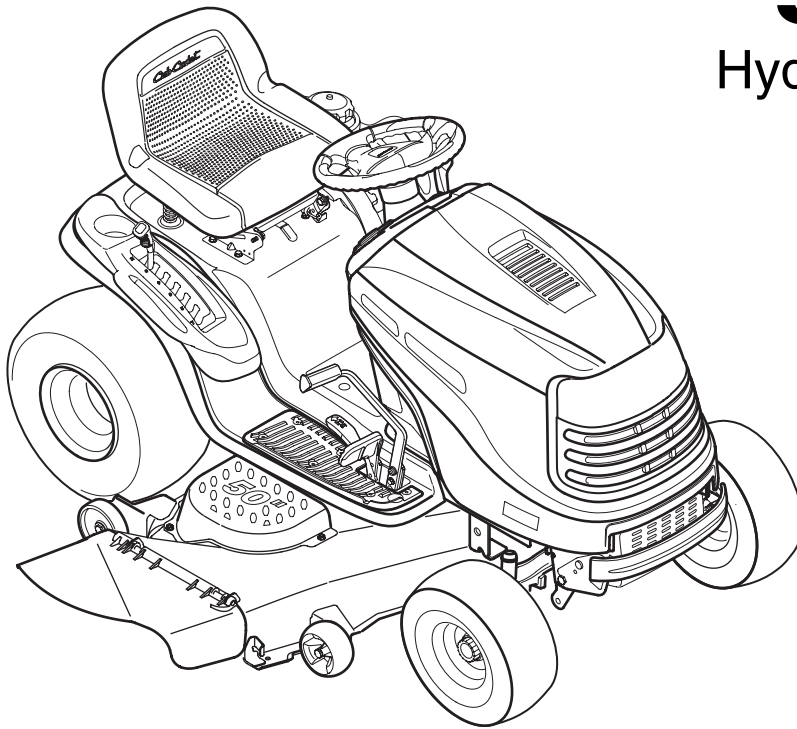
Hydrostatic Lawn Tractor

Models LT1042

LT1045

LT1046

LT1050



CUB CADET LLC, P.O. BOX 361131 CLEVELAND, OHIO 44136-0019

PRINTED IN U.S.A.

FORM NO. 769-00578G

1/2/2006

SERIES 1000 HYDROSTATIC LAWN TRACTORS

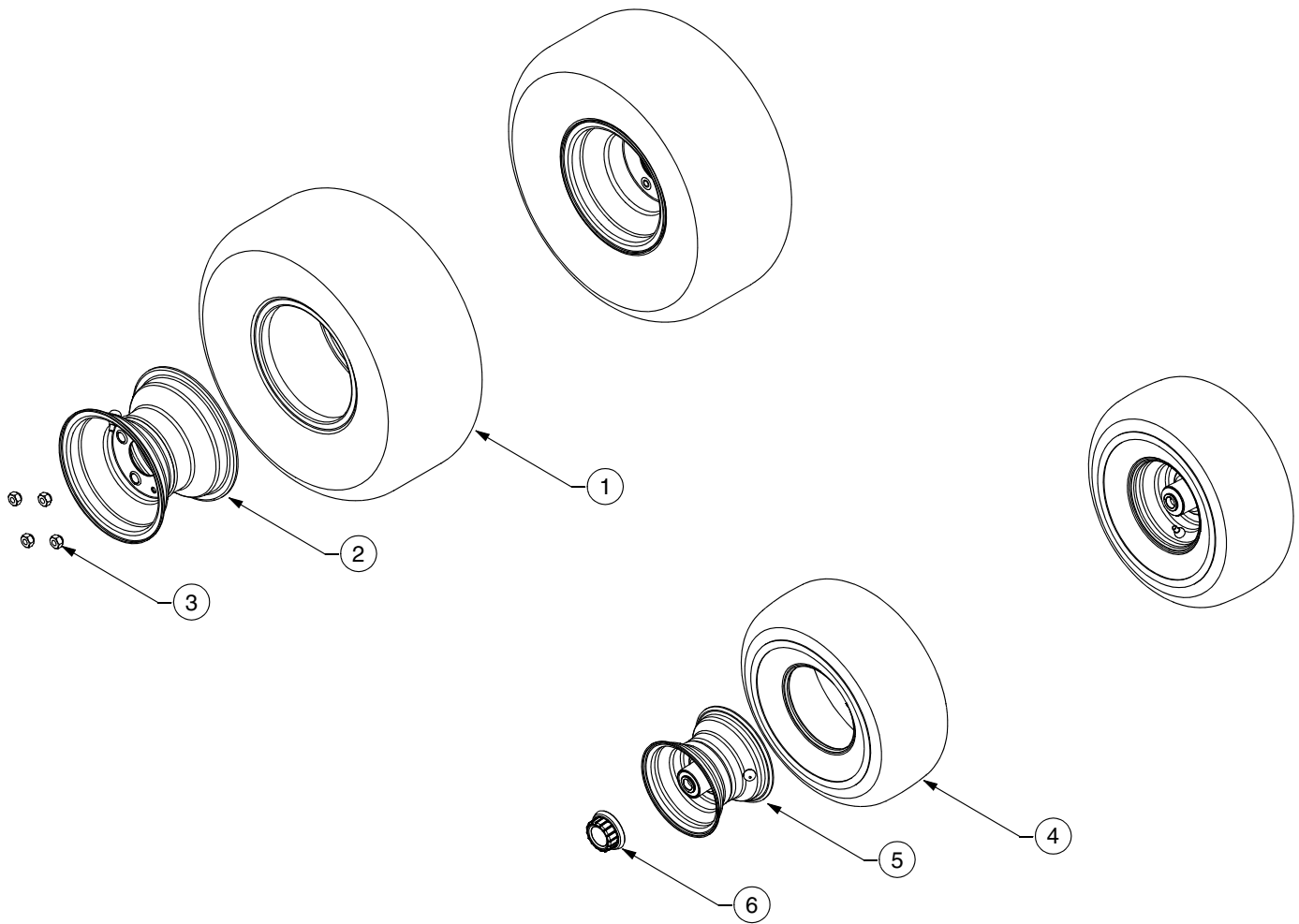
TABLE OF CONTENTS

DESCRIPTION	PAGE	DESCRIPTION	PAGE
Axle, Front	6	Single-Cylinder Engines	
Battery	16	Air Intake/Filtration.....	30
Brake Pedal	12	Blower Housing	34
Deck, 42-inch.....	20	Crankcase	28
Deck, 46-inch.....	22	Cylinder Head.....	31
Deck, 50-inch.....	24	Engine Controls	32
Dash Panel	16	Fuel System.....	33
Drive System	4	Ignition / Electrical	34
Engine Accessories	15	Oil Pan / Lubrication	35
Fender	10	Starting System	34
Frame	8	Twin-Cylinder Engines	
Fuel Tank	10	Air Intake/Filtration.....	36
Head Lamp	18	Blower Housing	37
Hood	18	Crankcase	38
Lift Linkage	11	Cylinder Head.....	40
Muffler	15	Engine Controls	42
PTO	19	Fuel System.....	44
Seat	14	Ignition / Electrical	45
Steering	6	Oil Pan / Lubrication	46
Transmission, Hydrostatic	26	Starting System	47
Wheels, Front & Rear	3		

NOTE, For **painted parts**, please refer to the list of color codes below. Please add the applicable color code, wherever needed, to the part number to order a replacement part. For instance, if a part, numbered 700-xxxx, is painted Cub Yellow, the part number to order would be 700-xxxx-0716.

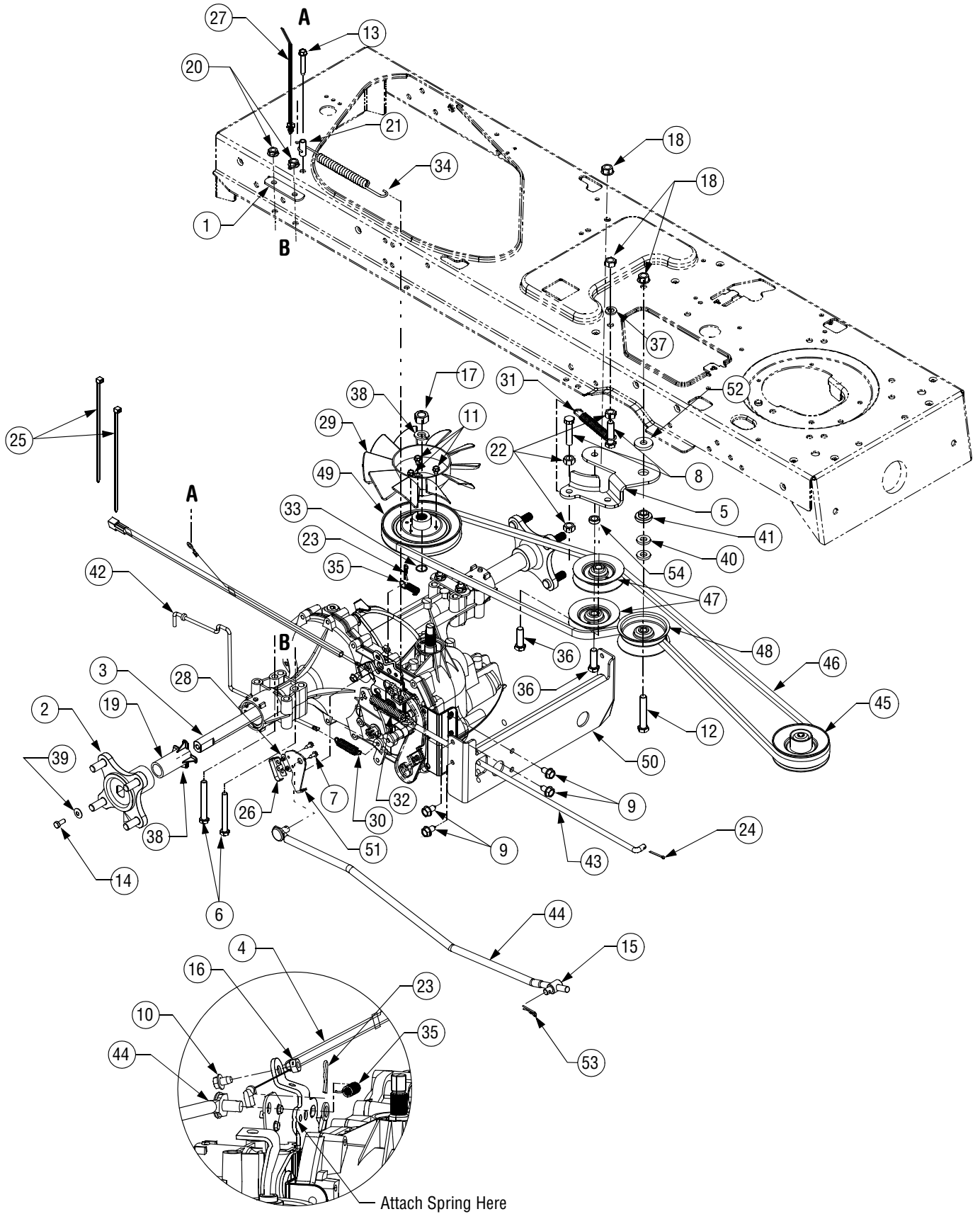
Cub Yellow: 0716
 Cub Beige: 0499
 Powder Black: 0637

WHEELS



REF. NO.	PART NUMBER	DESCRIPTION	QTY.
1	734-04139	Tire, Turf, <i>Cub Cadet</i> 20 x 10 x 8	2
2	634-0246A	Rim Assembly, 8.0 x 6.19 (4-Lug)	2
	734-0255	Valve, Tubeless Air	2
3	712-3050	Lug Nut, 7/16-14	8
4	734-04140	Tire, Turf, <i>Cub Cadet</i> 15 x 6 x 6	2
5	634-04081	Rim Assembly, 6 x 4.5 (Includes Flange Bearings and Valve)	2
	741-04137	Bearing, Flange	4
	734-0255	Valve, Tubeless Air	2
6	731-3020	Hub Cap	2

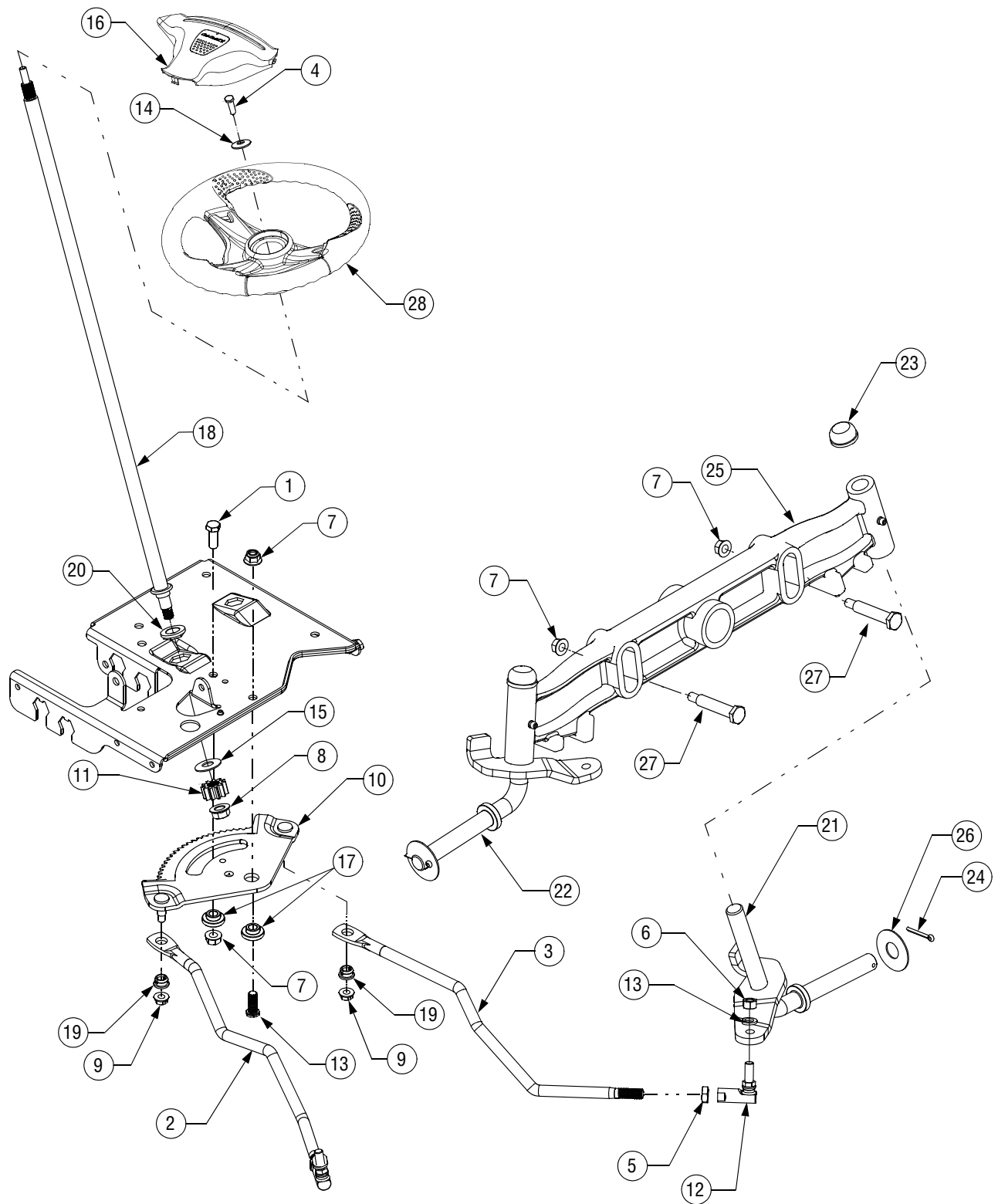
DRIVE SYSTEM



DRIVE SYSTEM

REF. NO.	PART NUMBER	DESCRIPTION	QTY.
1	17840	Bracket, Mounting, Transaxle	2
2	618-04228	Hub Assembly, Wheel	2
3	618-0319	Transmission, Hydrostatic	1
	618-04269A	Transmission, Hydrostatic w/ Drain	1
4	629-04124	Harness Assembly, Ground & Reverse	1
5	783-04442	Bracket Assembly, Idler, Center Dbl	1
6	710-1266	Hex Cap Screw, 5/16-18,3.5, Gr5	4
7	710-0227	Screw, #8-18, 0.500	2
8	710-0344	Hex Cap Screw, 3/8-16, 1.50, Gr5	3
9	710-0726	Screw, 5/16-12, 0.75	6
10	710-0599	Screw, 1/4-20, 0.5	1
11	710-3007	Screw, #12-24, 0.375	3
12	710-3011	Hex Cap Screw, 3/8-16, 2.25, Gr5	1
13	710-0778	Hex Cap Screw, 1/4-20, 1.5, Gr5	1
14	710-0627	Hex Cap Screw, 5/16-24 x .750	2
15	711-0832	Ferrule, 3/8-24 x .375 Dia	1
16	712-04064	Nut, Hex Nylon Lock, 1/4-20	1
17	712-3066	Nut, Hex, 1/2-20, Gr5	1
18	712-04065	Nut, Nylon Lock, 3/8-16	4
19	731-05300	Sleeve, 2.4"	2
20	712-04052	Nut, Nylon Lock, 5/16-18, Gr5	5
21	750-0566A	Spacer, 1"	1
22	712-3017	Nut, Hex, 3/8-16, Gr8	3
23	714-0104	Pin, Cotter, .072 Dia. x 1.13 Lg	2
24	714-0111	Pin, Cotter, 3/32, 1.0	1
25	725-0157	Cable, Tie, 3/16 x .05 x 7.4	2
26	725-1644	Switch, Spring, Short	1
27	726-0154	Tie, Cable, Push Mount 7.5 Lg	2
28	726-0320	Plate, Insulator Nut	1
29	731-1449A	Fan, Blade, 10"	1
30	732-0209	Spring, .48 OD x 2.03 Extension	1
31	732-04323B	Spring, Extension, .563 Dia x 3.72 Lg	1
32	732-0716C	Spring, Extension, .59 OD x 4.00 Lg	1
33	732-0729	Ring, Wire	1
34	732-0994	Spring, Extension, .500 Dia x 7.0	1
35	732-3118	Spring, Extension, 3/8 OD x 1.44	1
36	710-0502A	Screw, 3/8-16, 1.25	1
37	736-0169	Washer, Lock, 3/8, Regular Duty	1
38	736-0921	Washer, Lock, 1/2	1
39	736-0242	Bell Washer	2
40	736-3010	Washer, Flat, .407 x .812 x .135	3
41	738-0372B	Spacer, Shoulder, 1.00 x .38 x .38	1
42	747-1149	Rod, Hydro Bypass	1
43	747-04139	Rod, Brake, Hydro	1
44	747-1151	Rod, Control, Hydro	1
45	756-0978A	Pulley, Engine, 3.56 Dia.	1
46	754-0461	Belt, V Type, Poly	1
47	756-0116A	Pulley, Idler, V Type x 3.06 Dia	2
48	756-04224	Pulley, Idler, Flat 2.75 OD	1
49	756-04111	Pulley, Engine, 4.11Dia.	1
50	783-0810B	Bracket, Transmission, Torque Hydro	1
51	783-1019	Bracket, Actuator, Switch	1
52	736-0320	Washer, Flat, .38 x 1.92 x .060	1
53	714-0507	Pin, Cotter, 3/32, .750	1
54	750-0535	Spacer, .38 x .625 x .21	1

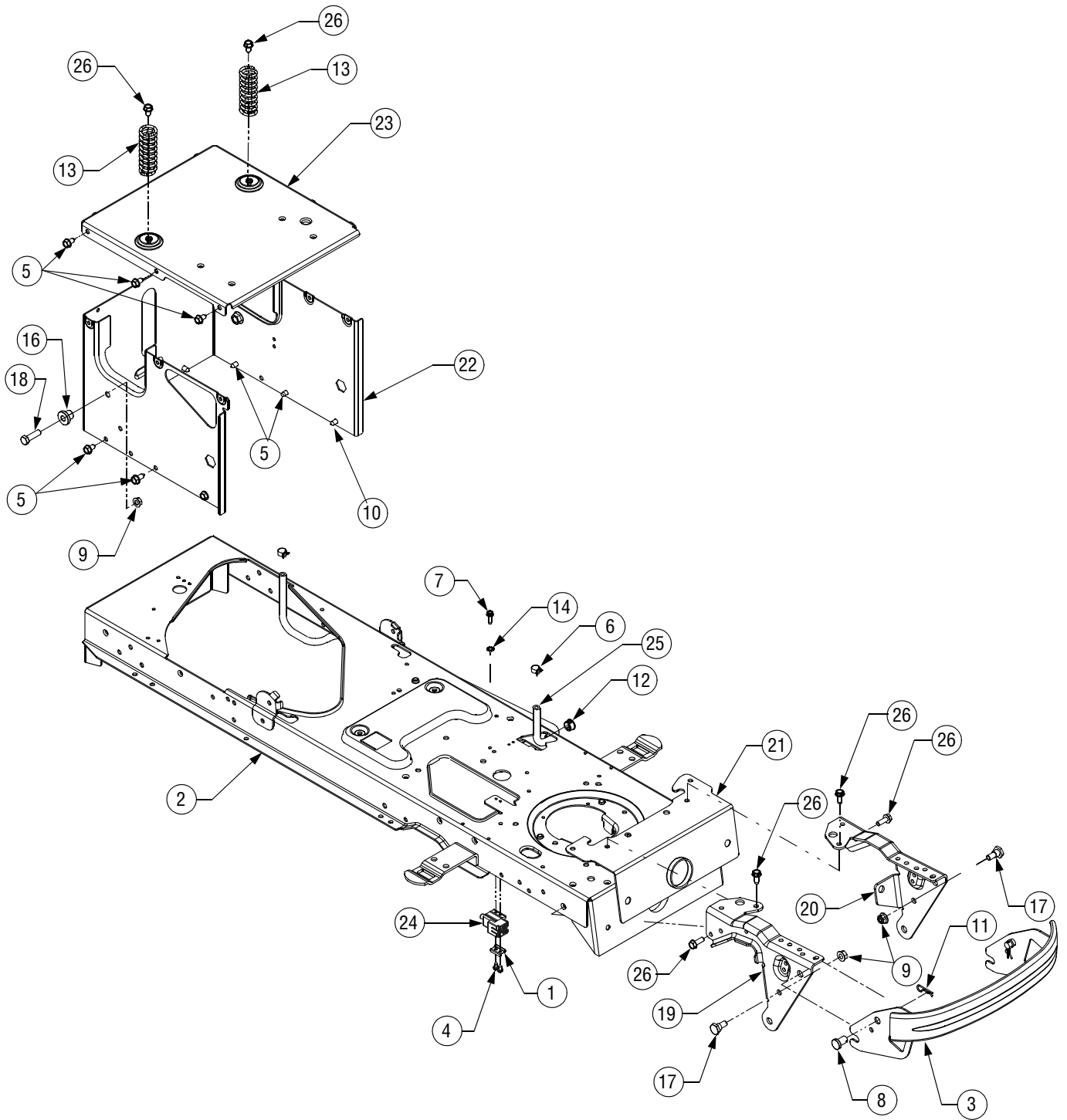
STEERING



STEERING

REF. NO.	PART NUMBER	DESCRIPTION	QTY.
1	710-0514	Hex Cap Screw, 3/8-16, 1.00, Gr5, Std	1
2	711-1408	Link, Drag, RH	1
3	711-1409A	Link, Drag, LH	1
4	710-1260	Self-tapping Screw, 5/16-18 x .75	1
5	712-0240	Nut, Jam, 7/16-20, Gr2	2
6	712-0214	Nut, Hex, 3/8-24, Gr5	2
7	712-04065	Nut, Nylon Lock, 3/8-16	4
8	712-0459	Nut, Flange Lock, 7/16-20	1
9	712-3004A	Nut, Flange Lock, 5/16-18	2
10	717-1550E	Gear, Steering, 11/90 Ratio	1
11	717-1554	Gear, Pinion, Steering	1
12	723-0448A	Ball Joint, 7/16-20	2
13	710-04095	Hex Cap Screw, 3/8-16, 1.00	1
14	736-3004	Washer, Flat, .406 x .875 x .105	1
15	736-3084	Washer, Flat, .510 x 1.120 x .060	1
16	731-04532	Cover, Steering Wheel	1
17	738-04154	Spacer, Shoulder, 1.00 x .38 x .38	2
18	738-04075	Shaft, Steering, .625 OD x 25.00 Lg	1
19	741-0475	Bushing, Plastic, .380 ID	2
20	741-0656A	Bearing, Hex Flange, 5/8	1
21	683-04103	Axle Ass'y, LH .750 Dia (LT1045, LT 1046 & LT 1050)	1
	683-04105	Axle Ass'y, LH .750 Dia (LT1042)	1
22	683-04104	Axle Ass'y, RH .750 Dia (LT1045, LT 1046 & LT 1050)	1
	683-04106	Axle Ass'y, RH .750 Dia (LT1042)	1
23	726-0341	Push Cap, .75	2
24	714-04039	Pin, Cot, 5/32, 1.25	2
25	719-04105	Axle, Pivot, Cast .750 Dia	1
26	736-0866	Washer, Flat, .755 x 1.92 x .060	2
27	738-1011A	Screw, Shoulder, .500 x 2.230, 3/8-16	2
28	631-04008A	Wheel, Steering, Three Spoke	1

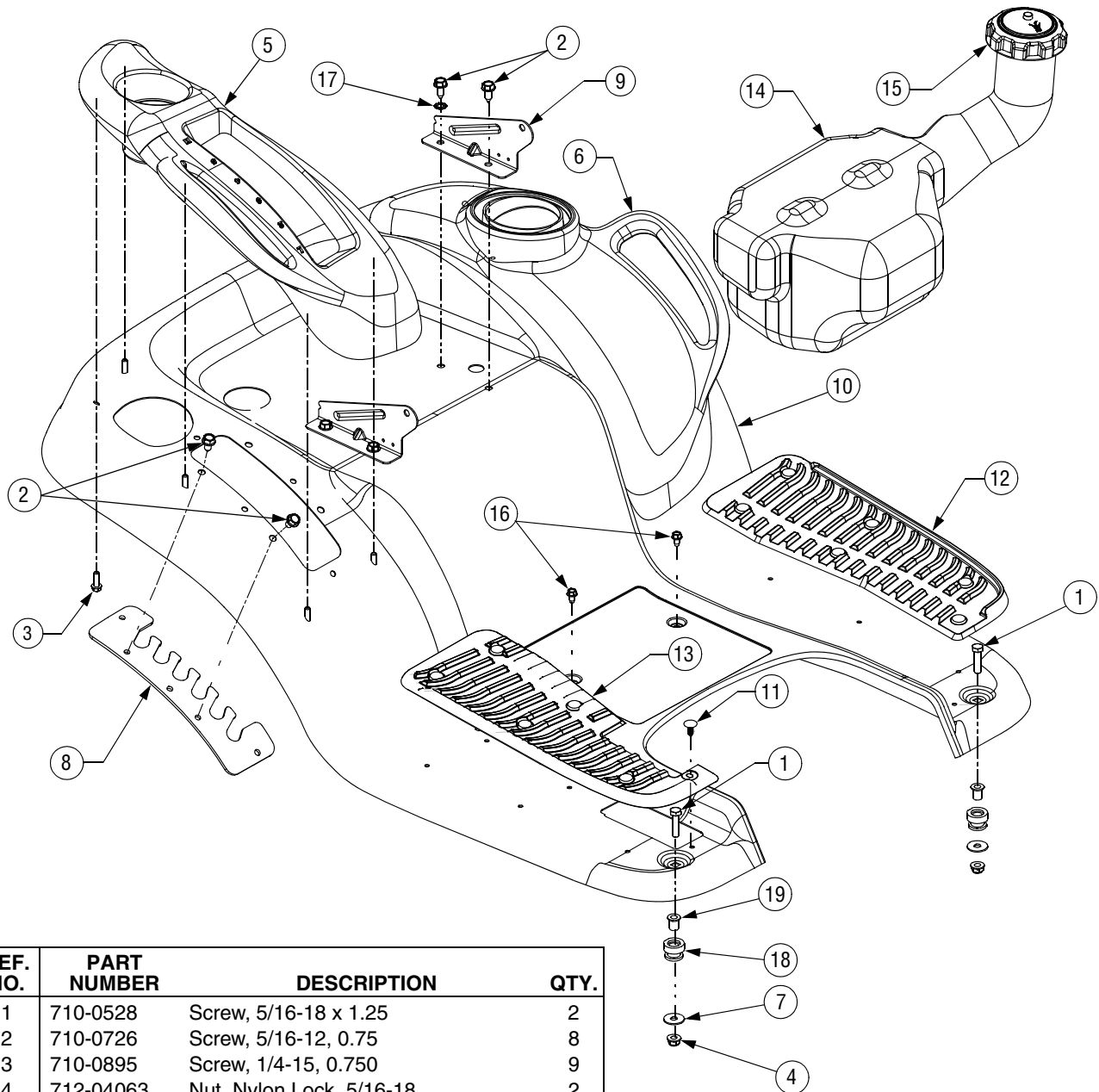
FRAME



FRAME

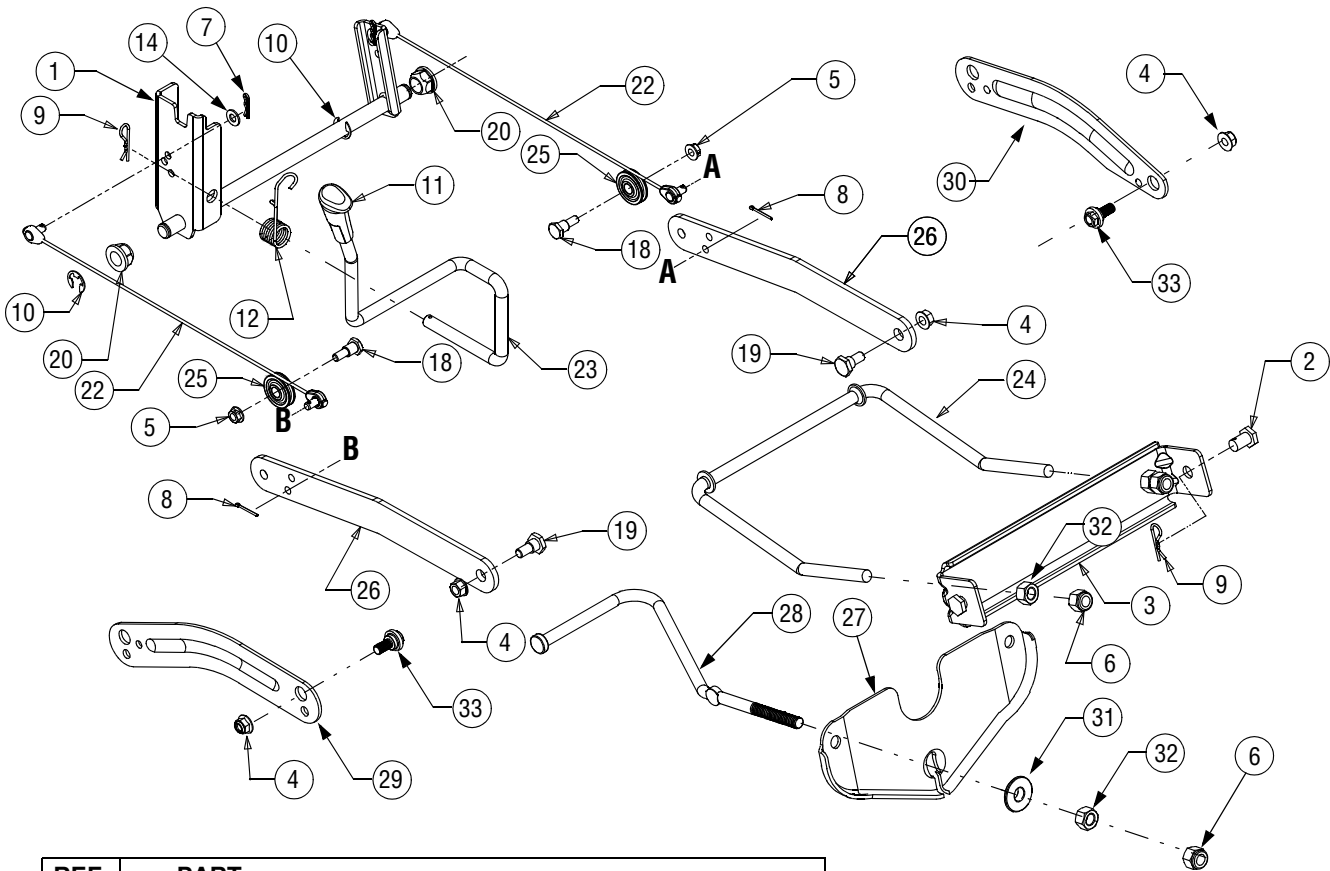
REF. NO.	PART NUMBER	DESCRIPTION	QTY.
1	17962	Plate, Switch	1
2	683-04173	Frame Assembly, Lower	1
3	683-04238	Bumper Assembly	1
4	710-0224	Screw, Hex Wash. Hd. Tapp, 10-16 x .5	2
5	710-0726	Screw, Self-tapping, 5/16-18, 0.75	7
6	726-0205	Clamp, Hose, .490 Dia.	2
7	710-1652	Screw, Hex Wash. Hd. Tapp, 1/4-20 x 0.625	1
8	711-0332	Pin, Clevis, .50 Dia x .78 Lg	2
9	712-04065	Nut, Nylon Lock, 3/8-16	2
10	710-0607	Screw, Hex Wash. Tapp, 5/16-18 x .5	1
11	714-04023	Pin, Internal Cotter	2
12	741-04092	Snap Bushing	1
13	732-04035	Spring, Compression, 1.28 OD x 3.125 Lg	2
14	736-0222	Washer, Lock, Ext 1/4	2
16	738-04058	Shoulder Spacer	2
17	738-0143	Shoulder Screw, 3/8-16	2
18	710-3005	Hex Screw 3/8-16 x 1.25	2
19	783-0726E	Bracket, Pivot, Support RH	1
20	783-0727D	Bracket, Pivot, Support LH	1
21	783-0728	Bracket, Pivot, Bar	1
22	783-04810	Frame, Upper	1
23	783-04746	Bracket, Frame, Seat	1
24	725-04039	Switch, Interlock	1
25	751-10349	Fuel Line, Low Permeation, 29"	1
26	710-1260A	Screw, Self-tapping, 5/16-12, 0.75	6

FENDER & FUEL TANK



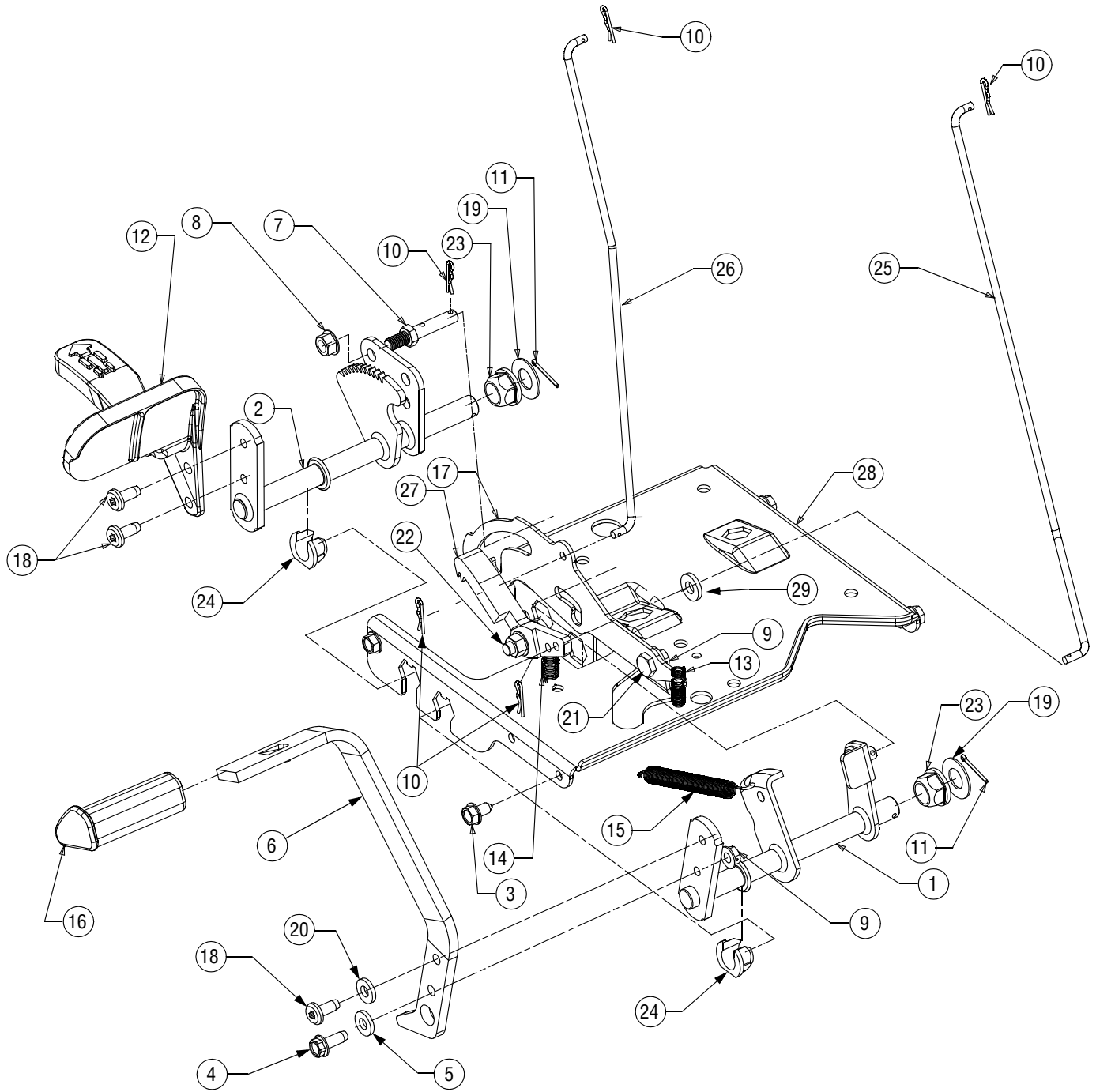
REF. NO.	PART NUMBER	DESCRIPTION	QTY.
1	710-0528	Screw, 5/16-18 x 1.25	2
2	710-0726	Screw, 5/16-12, 0.75	8
3	710-0895	Screw, 1/4-15, 0.750	9
4	712-04063	Nut, Nylon Lock, 5/16-18	2
5	731-2616A	Cover, Fender, RH	1
6	731-2617	Cover, Fender, LH	1
7	736-3078	Washer, Flat, .349 x 1.00 x .063	2
8	783-0677B	Bracket, Lift, Adjustment	1
9	783-1489B	Bracket, Seat, Mount	2
10	783-04477	Fender	1
11	726-3046	Clip, Ratchet, .250 Dia	12
12	735-0697A	Pad, Foot, LH	1
13	735-0698B	Pad, Foot, RH	1
14	751-0819B	Tank, Fuel	1
15	751-3124B	Cap, Fuel	1
16	710-0599	Screw, Self-tapping, 1/4-20, 0.500	2
17	736-0607	Washer, Lock, 5/16 External Tooth	1
18	735-0690	Grommet	2
19	750-3310	Flange Spacer, .3125 x .4375 x .625	2

LIFT ASSEMBLY



REF. NO.	PART NUMBER	DESCRIPTION	QTY.
1	683-04079	Shaft Assembly, Lift	1
2	711-0332	Pin, Clevis, .50 Dia x .78 Lg	2
3	783-0720A	Bracket, Deck (46- and 50-inch Decks)	1
4	712-04065	Nut, Nylon Lock, 3/8-16	2
5	712-04063	Nut, Nylon Lock, 5/16-18, Gr5	2
6	712-3083	Nut, Hex Lock, 1/2-13, Gr8, Nylon	2
7	714-0104	Pin, Cotter, .072 Dia. x 1.13 Lg	2
8	714-0111	Pin, Cotter, 3/32, 1.0	2
9	714-04023	Pin, Click, .092 x 1.64 Lg	2
10	716-0106A	E-ring, .625 Dia. Shaft	2
11	720-0311	Grip, Handle	1
12	732-0874	Spring, Torsion	1
18	738-0138A	Screw, Hex Cap, 5/16-18x.620 Gr2	2
19	738-0143	Shoulder Screw, 3/8-16	2
20	741-0225	Bearing, Hex Flange	2
22	746-0968	Cable, Lift, 16.16 Lg	2
23	747-04155	Handle, Lift	1
24	747-1130B	Rod, Deck .5" Dia. (46- and 50-inch Decks)	1
25	756-1154	Pulley, Roller	2
26	783-0678A	Arm, Lift (46- and 50-inch Decks)	2
27	783-04568	Hanger Bracket, Deck (42-inch Deck)	1
28	747-04269A	Rod, Deck, .448" Dia. (42-inch Deck)	1
29	783-04494	RH Arm, Lift (42-inch Deck)	1
30	783-04711	LH Arm, Lift (42-inch Deck)	1
31	748-04069	Pivot Cup	1
32	712-0206	Nut, Hex, 1/2-13	2
33	738-04130	Shoulder Screw, 3/8-16	2

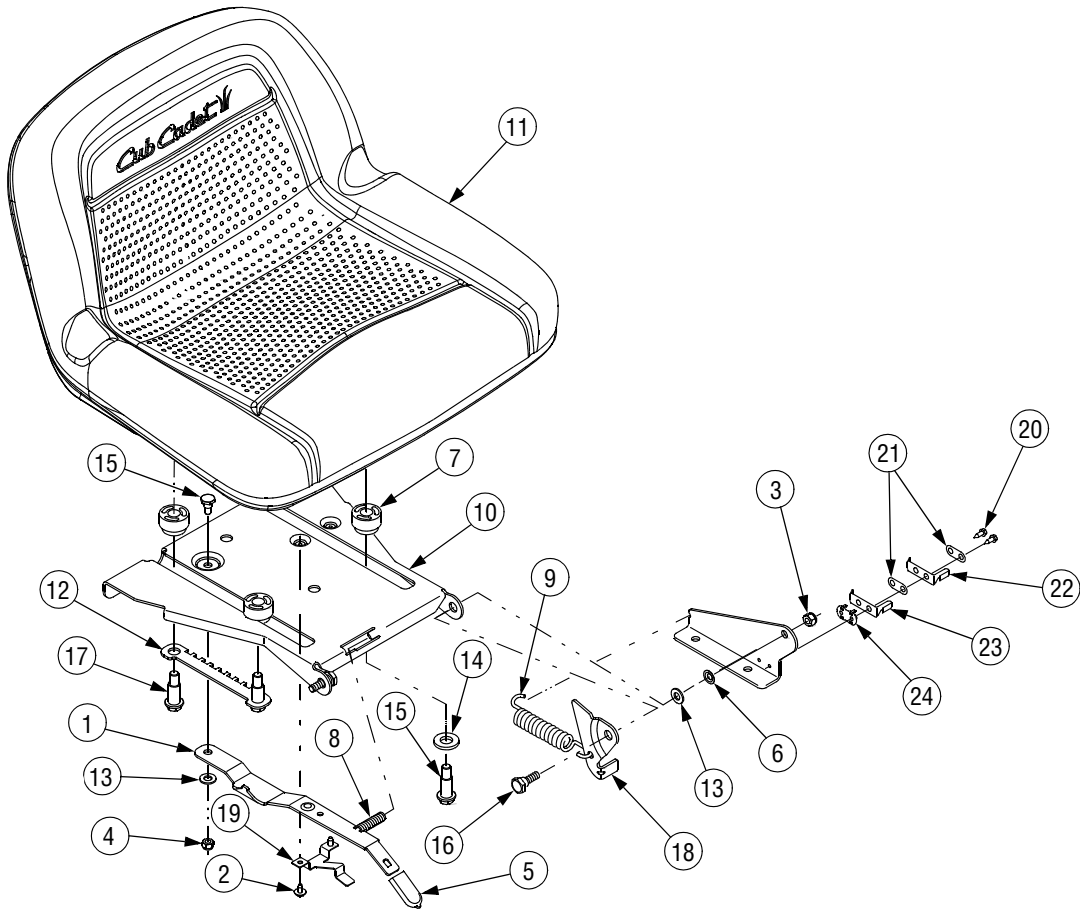
PEDAL ASSEMBLY



PEDAL ASSEMBLY

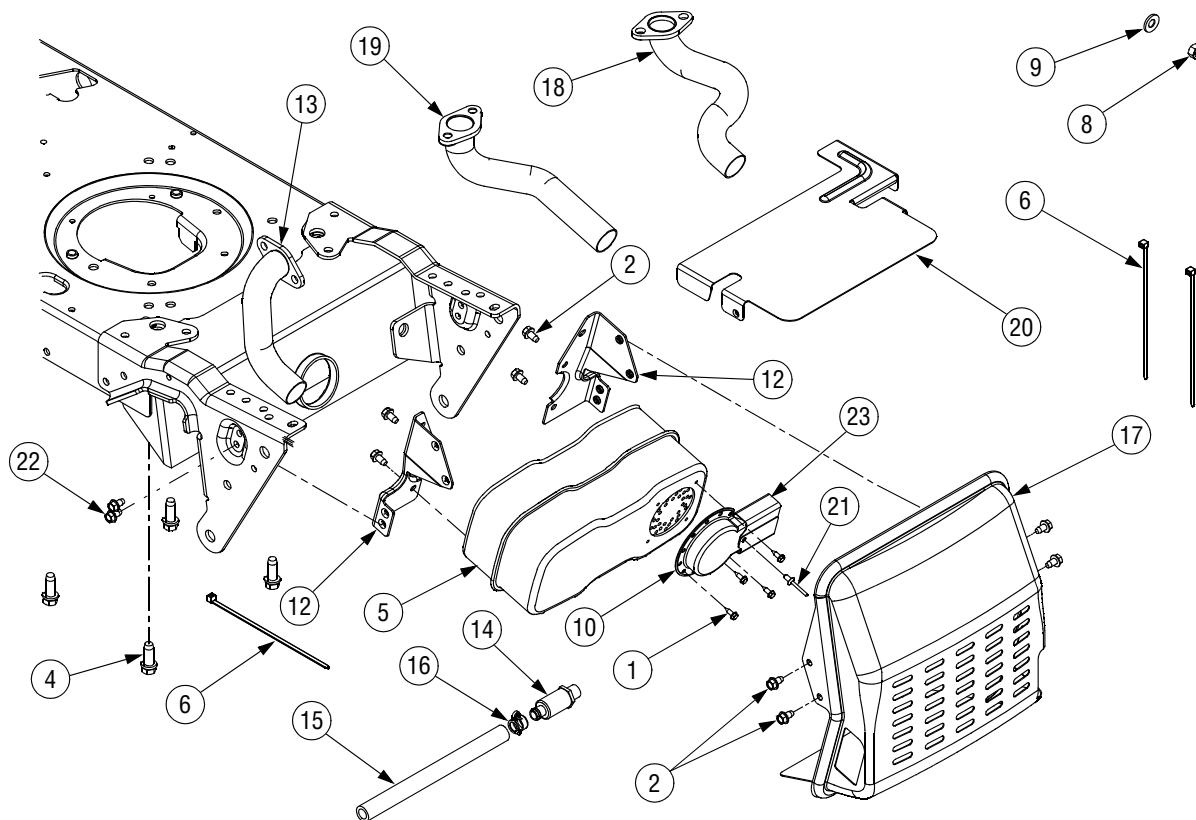
REF. NO.	PART NUMBER	DESCRIPTION	QTY.
1	647-0031B	Control Assembly, Brake	1
2	647-0049A	Control Assembly, Hydro	1
3	710-0726	Screw, Self-tapping, 5/16-12, 0.75	4
4	710-0650	Screw, Self-tapping, 5/16-18, 0.875	1
5	736-0119	Washer, Lock, 5/16	1
6	783-0773A	Pedal, Brake	1
7	711-04159B	Pin, 3/8-16, 3/8 x 2.68	1
8	712-04065	Nut, Nylon Lock, 3/8-16	2
9	712-3004A	Nut, Flange Lock, 5/16-18, Gr5	1
10	714-0104	Pin, Cotter, .072 Dia. x 1.13 Lg	5
11	714-0111	Pin, Cotter, 3/32, 1.0	2
12	719-0584B	Pedal, Hydro Control	1
13	732-0335	Spring, Compression, .405 x 1.17	1
14	732-0955	Spring, Extension, .50 OD x 1.41 Lg	1
15	732-0963	Spring, Extension, .50 Dia x 6.37 Lg	1
16	735-3049	Pad, Brake, Control	1
17	783-0663E	Bracket, Lockout, Hydro	1
18	710-1611B	Screw, Torx Hd. Tapp. 5/16-18 x .75	3
19	736-0187	Washer, Flat .64 ID x 1.24 x .06	2
20	736-3008	Washer, Flat, .344 x .750 x .120	1
21	738-0155	Shoulder, Screw .437	1
22	738-0380	Shoulder, Screw 3/8-16	1
23	741-0225	Bearing, Hex Flange	2
24	741-3065B	Bearing, Hex Flange, .628 ID, Split	2
25	747-04096	Rod, Control, Cruise	1
26	747-04093	Rod, Control, Brake Lock	1
27	748-04039B	Latch, Cruise	1
28	783-04612	Bracket, Support, Stearing	1
29	736-0300	Lock Washer, .406 x .875 x .059	1

ADJUSTABLE SEAT



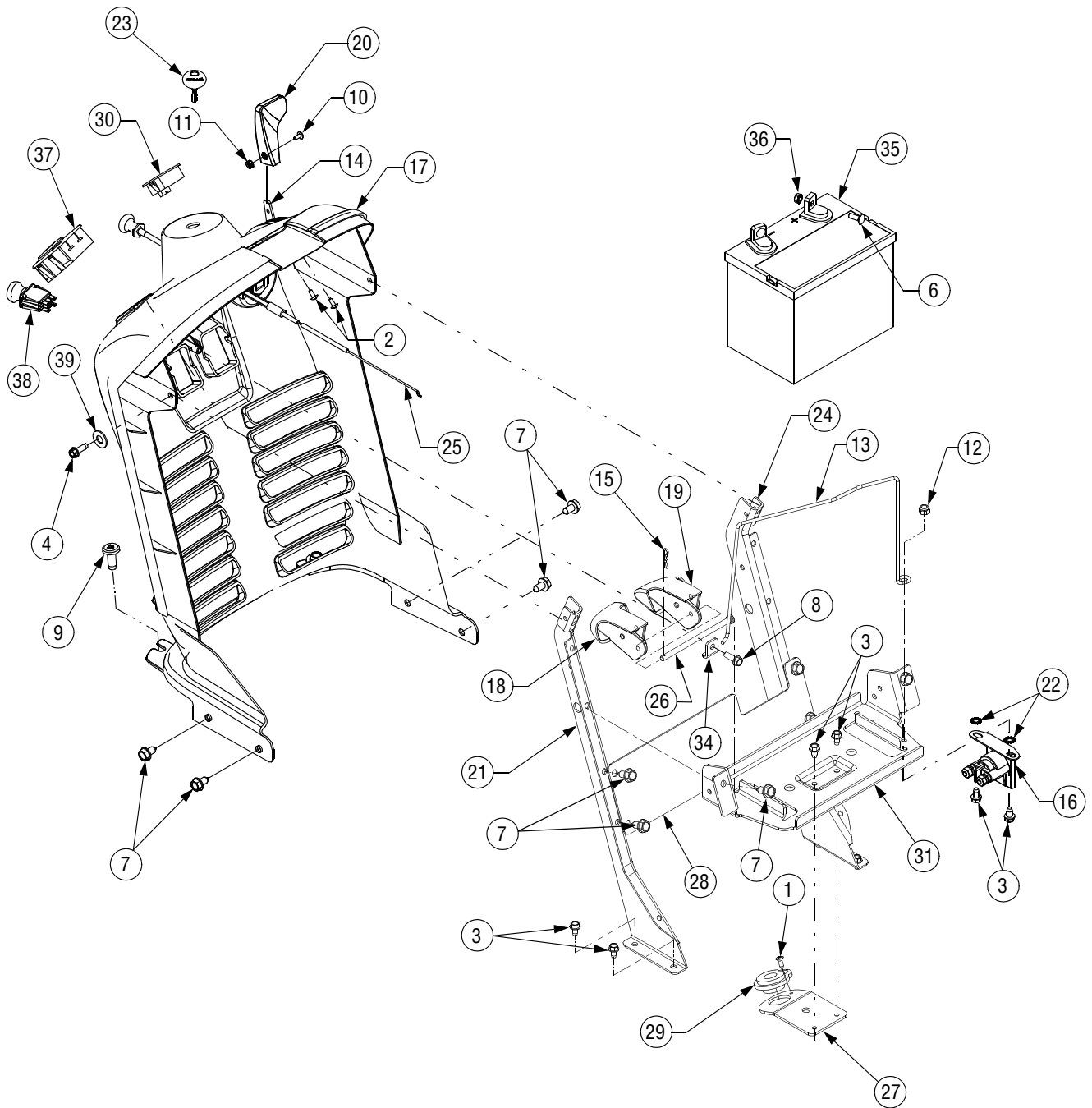
REF. NO.	PART NUMBER	DESCRIPTION	QTY.
1	783-0739A	Lever, Seat, Adjustment	1
2	710-1268	Screw, #10-16, 0.375	2
3	712-04063	Nut, Nylon Lock, 5/16-18, Gr5	2
4	712-04064	Nut, Nylon Lock, 1/4-20 GrF	1
5	720-0433	Grip, Seat, Adjustment (Yellow)	1
6	726-0201	Nut, Speed, .3125 ID	2
7	731-04074	Spacer, Seat, Adjustment	4
8	732-0499	Spring, Compression .41 x 1.50	1
9	732-1184	Spring, Extension, .80 Dia x 4.6	1
10	783-0738C	Bracket, Seat Pivot	1
11	757-04035	Seat, <i>Cub Cadet</i> , High Back	1
12	783-0753	Selector, Seat, Adjustment	1
13	736-0275	Washer, Flat, .344 x .688 x .065	2
14	736-3019	Washer, Flat, .531 x 1.062 x .134	2
15	738-0137A	Screw, Shlder, .340 x .285, 1/4-20	1
16	738-0296	Shoulder, Screw .437 x .286 Lg	2
17	738-0966A	Screw, Shoulder, .50 x.925, 3/8-16	4
18	783-0209D	LH Bracket, Seat Lift	1
19	783-0611	Stop, Seat, Adjustment	1
20	710-0227	Screw, #8-18 x .50	2
21	726-0279	Plate, Insulator	2
22	725-1303	Spring Switch, Outer	1
23	725-1439	Spring Switch, Inner	1
24	726-0278	Plate, Insulator Boss	1

ENGINE ACCESSORIES



REF. NO.	PART NUMBER	DESCRIPTION	QTY.
1	710-0227	Screw, #8-18, 0.500	4
2	710-0599	Screw, Hex, 1/4-20, 0.500	8
3	710-0726	Screw, Hex, 5/16-12 x .75	2
4	710-0654A	Screw, Hex, 3/8-16 x 1.00 (LT1042 & LT1045)	4
	710-1315	Screw, Hex, 3/8-16 x 1.25 (LT1046 & LT1050)	4
5	751-0617A	Muffler, Single Inlet (LT1042 & LT1045)	1
	751-0805	Muffler, Dual Inlet (LT1046 & LT1050)	1
6	725-0157	Cable, Tie, 3/16 x .05 x 7.4	2
7	712-3004A	Nut, Flange Lock, 5/16-18 (LT1046 & LT1050)	2
8	712-3005	Hex Flange Nut, 3/8-16 (LT1046 & LT1050)	1
9	736-0300	Lock Washer, .406 x.875 x.059 (LT1046 & LT1050)	1
10	751-0564A	Deflector, Muffler	1
11	783-04573	Muffler Bracket, LH	1
12	783-04574	Muffler Bracket, RH	1
13	751-10017	Pipe, Exhaust (LT1042 & LT1045)	1
14	751-3140	Drain, Oil	1
15	751-3141	Extension Hose, Oil Drain	1
16	751-3142	Cap, Oil Drain	1
17	783-04256	Shield, Muffler	1
18	751-10007	Pipe, Exhaust, LH (LT1046 & LT1050)	1
19	751-10006	Pipe, Exhaust, RH (LT1046 & LT1050)	1
20	783-04783	Heat Shield (LT1046 & LT1050)	1
21	728-04000	Rivet, Pop, .188 x .325	1
22	710-0642	Screw, Hex, 1/4-20, 0.750	4
23	751-10353	Extension, Deflector	1

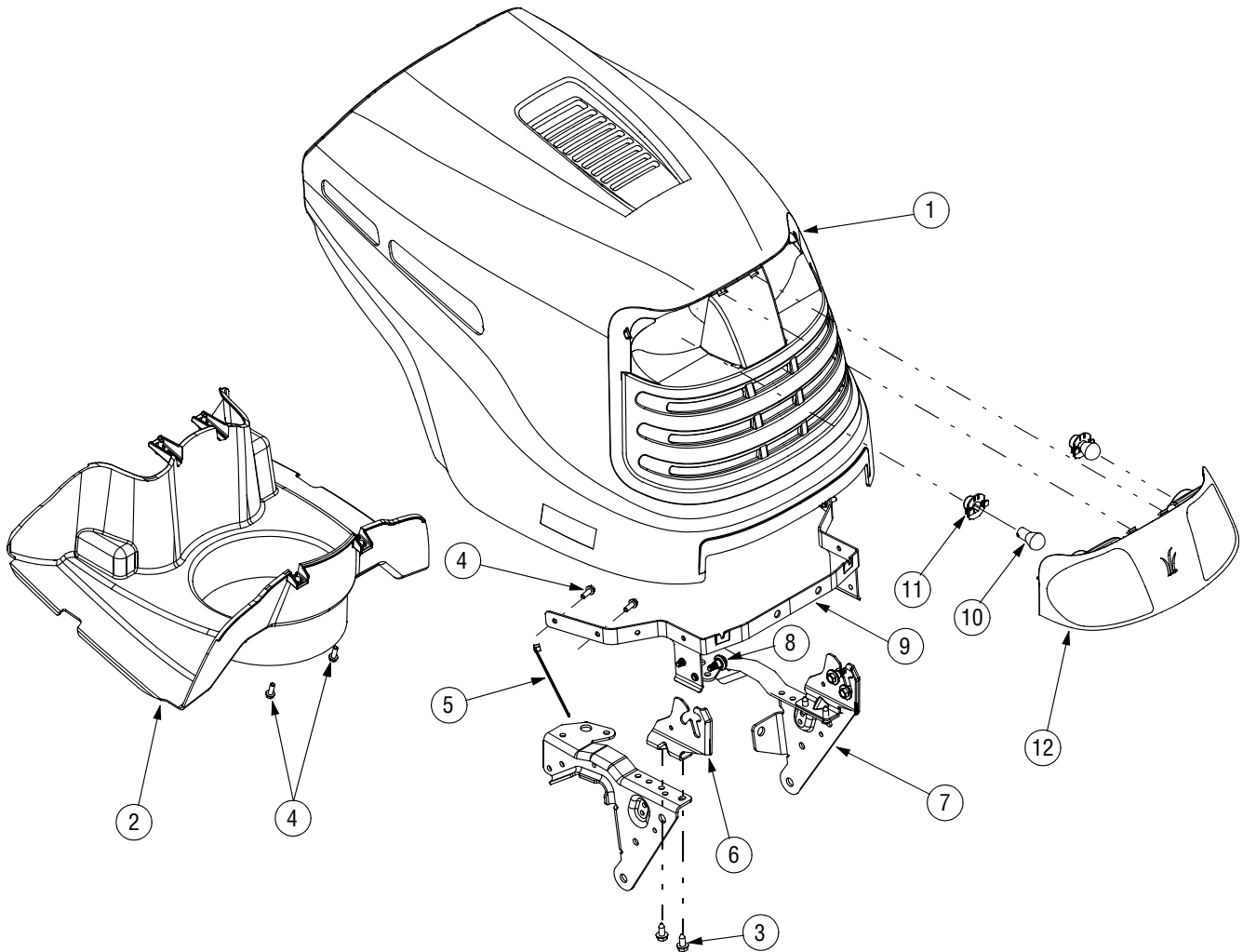
DASH PANEL



DASH PANEL

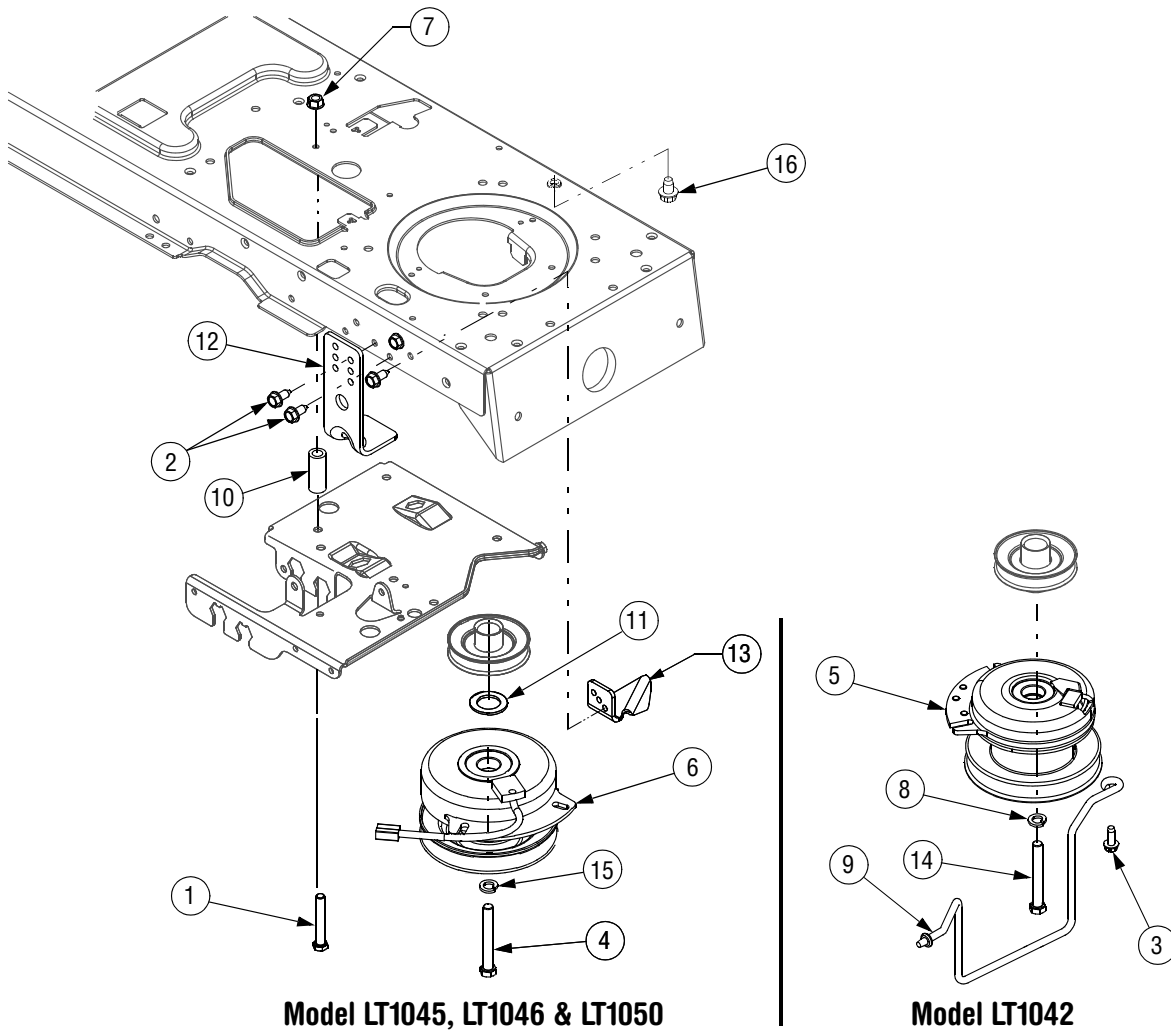
REF. NO.	PART NUMBER	DESCRIPTION	QTY.
1	710-0351	Screw, #10-16 x .5	1
2	710-0192	Screw, #10-24 x .375	2
3	710-0599	Screw, Self-tapping, 1/4-20, 0.500	6
4	710-0642	Screw, Hex. 1/4-20 x .75	2
6	710-0703	Screw, Carriage, 1/4-20, .75,	1
7	710-0726	Screw, Hex, 5/16-12 x .75	10
8	710-0895	Screw, 1/4-15, 0.750	1
9	710-1611B	Screw, Torx Hd. Tapp. 5/16-18 x .75	2
10	710-3217	Screw, Machine, #8-32, 0.375, Trus Phillips	1
11	712-0142	Nut, 8-32	1
12	712-04064	Nut, Nylon Lock, 1/4-20	1
13	747-04215	Hold-down Rod, Battery	1
14	746-1087	Control, Throttle, 27.4 (LT1042 & LT1045)	1
	746-1100	Control, Throttle, 38.0 (LT1046 & LT1050)	1
15	714-0104	Internal Cotter Pin, .072 x 1.13	1
16	725-1426A	Solenoid, 12V, 100 Amp	1
17	731-05004	Dash	1
18	731-04294A	Lever, Dash, Cruise	1
19	731-04293A	Lever, Dash, Brake	1
20	731-3161	Knob, Throttle Control	1
21	783-04908	Dash Support, RH - Mfg. Date K225 & Before	1
	783-04285D	Dash Support, RH - Mfg. Date K235 & After	1
22	736-0222	Washer, External Lock, 1/4	2
23	725-2054	Ignition Key, Plastic	1
	725-1744	Ignition Key, Metal	1
24	783-04909	Dash Support, LH - Mfg. Date K225 & Before	1
	783-04323D	Dash Support, LH - Mfg. Date K235 & After	1
25	746-04121	Control, Choke, 24.0 (LT1042 & LT1045)	1
	746-1085A	Control, Choke, 37.5 (LT1046 & LT1050)	1
26	747-1323A	Rod, .250 Dia x 4.25 Lg.	1
27	783-04475	Bracket, Steering Support	1
28	783-04506A	Plate, Dash Support	1
29	741-0587	Steering Colume Bearing	1
30	725-04022A	Monitor, Systems Indicator / Hour Meter	1
31	783-1447B	Bracket, Support, Battery	1
34	783-1499	Bracket, Rod, Dash	1
35	725-1737A	Battery, 190 CCA (LT1042 & LT1045)	1
	725-1750A	Battery, 235 CCA (LT1046 & LT1050)	1
36	712-0324	Nut, Sems, 1/4-20	1
37	725-04227	Switch Module, Ignition	1
38	725-04258	Switch, PTO, Yellow	1
39	736-0300	Washer, Flat, .406 x .875 x .059	2
—	725-04337	Wire Harness (LT1042 & LT1045)	1
—	629-04136	Wire Harness (LT1046 & LT1050)	1

HOOD & GRILLE



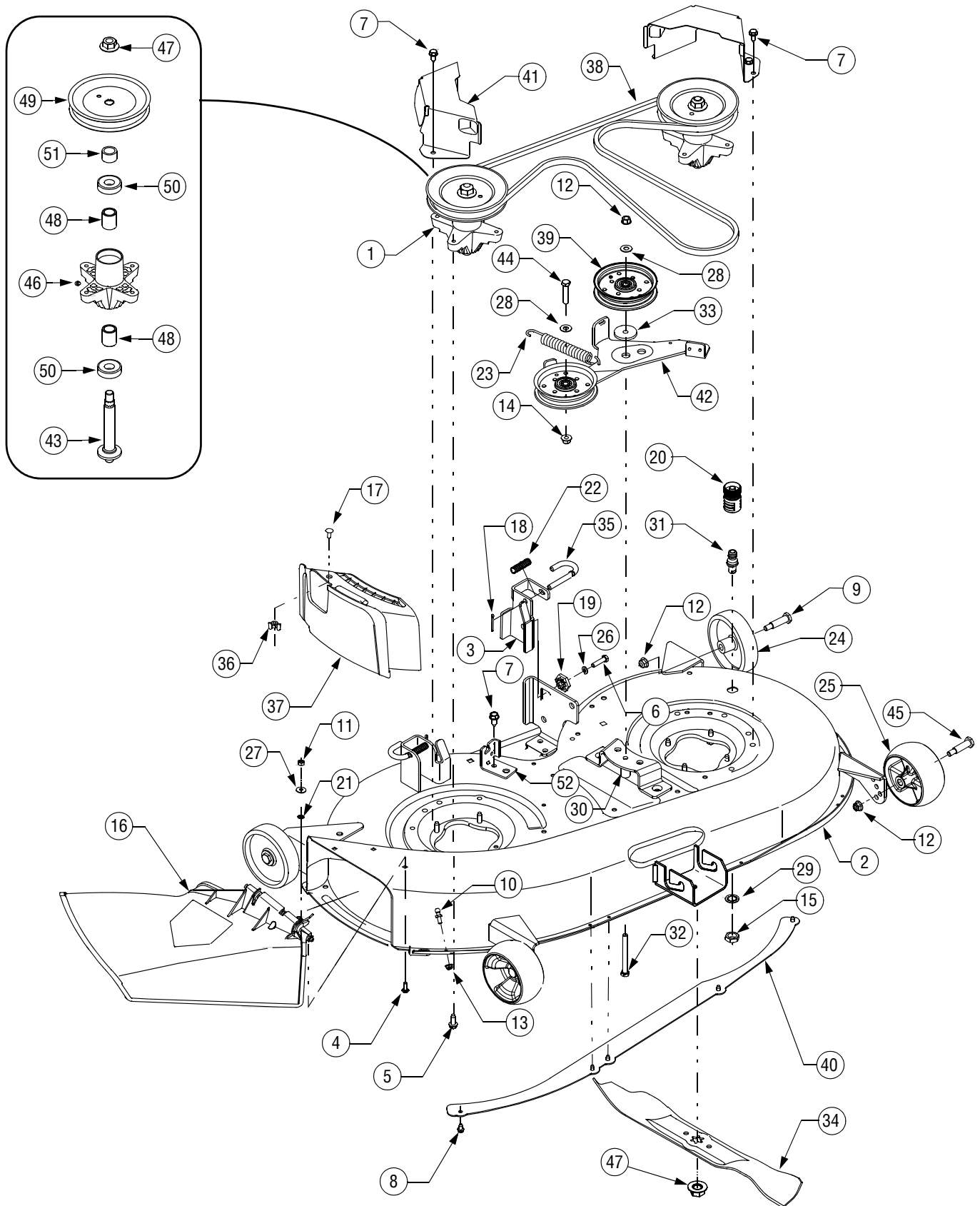
REF. NO.	PART NUMBER	DESCRIPTION	QTY.
1	731-04567A	Hood	1
2	731-04569	Hood Plenum (LT1042 & LT1045)	1
	731-04579A	Hood Plenum (LT1046 & LT1050)	1
3	710-0726	Self-tapping Screw, 5/16-18 x .625	4
4	710-0895	Screw, 1/4-15 x .75	8
5	725-0157	Cable Tie	1
6	783-04840	Pivot Bracket, Hood, RH	1
7	783-04841	Pivot Bracket, Hood, LH	1
8	738-04091	Shoulder Screw, .43 x .29 x 5/16-18	4
9	783-04606A	Pivot Bracket	1
10	725-0963	Miniature Lamp, 12 V	2
11	725-1649	Lamp Socket	2
12	731-04577	Headlight Lens	1
-	777X41562	Headlight Lens Reflector, RH	1
-	777X41563	Headlight Lens Reflector, RH	1
-	629-04083	Headlight Harness	1

POWER TAKE-OFF (PTO) SYSTEM



REF. NO.	PART NUMBER	DESCRIPTION	QTY.
1	710-0859	Screw, 3/8-16 x 2.5 GR5	1
2	710-0726	Screw, 5/16-12, .75	3
3	710-1260A	Screw, 5/16-18, .75 - Mfg. Date K305 & Before	1
4	710-04379A	Screw, Hex Cap , 7/16-20 x 3.5 GR5 (Replaces 710-3157 by also ordering 736-0171lock washer)	1
5	717-04163	Clutch, PTO (Model 1042)	1
6	717-04174	Clutch, PTO (Model 1045, LT1046 & LT1050)	1
7	712-04065	Nut, Hx. Nylon Lock, 3/8-16	1
8	736-0171	Washer, Lock, 7/16, Regular Duty	1
9	747-04307	Rod, Belt Keeper - Mfg. Date K305 & Before	1
10	748-0415B	Spacer, 3/8 x 1.54	1
11	736-0277	Washer, Flat, 1.031 x 1.62 x .095	1
12	783-04467	Deck Stop	1
13	783-04419B	Bracket, Clutch	1
14	710-3157A	Screw, Hex Cap Lock , 7/16-20 x 3.25 GR5	1
15	736-0171	Washer, Lock, 7/16, - Mfg. Date J115 & After	1
16	710-0607	Screw, Hex Tap, 5/16-18 x .5	1

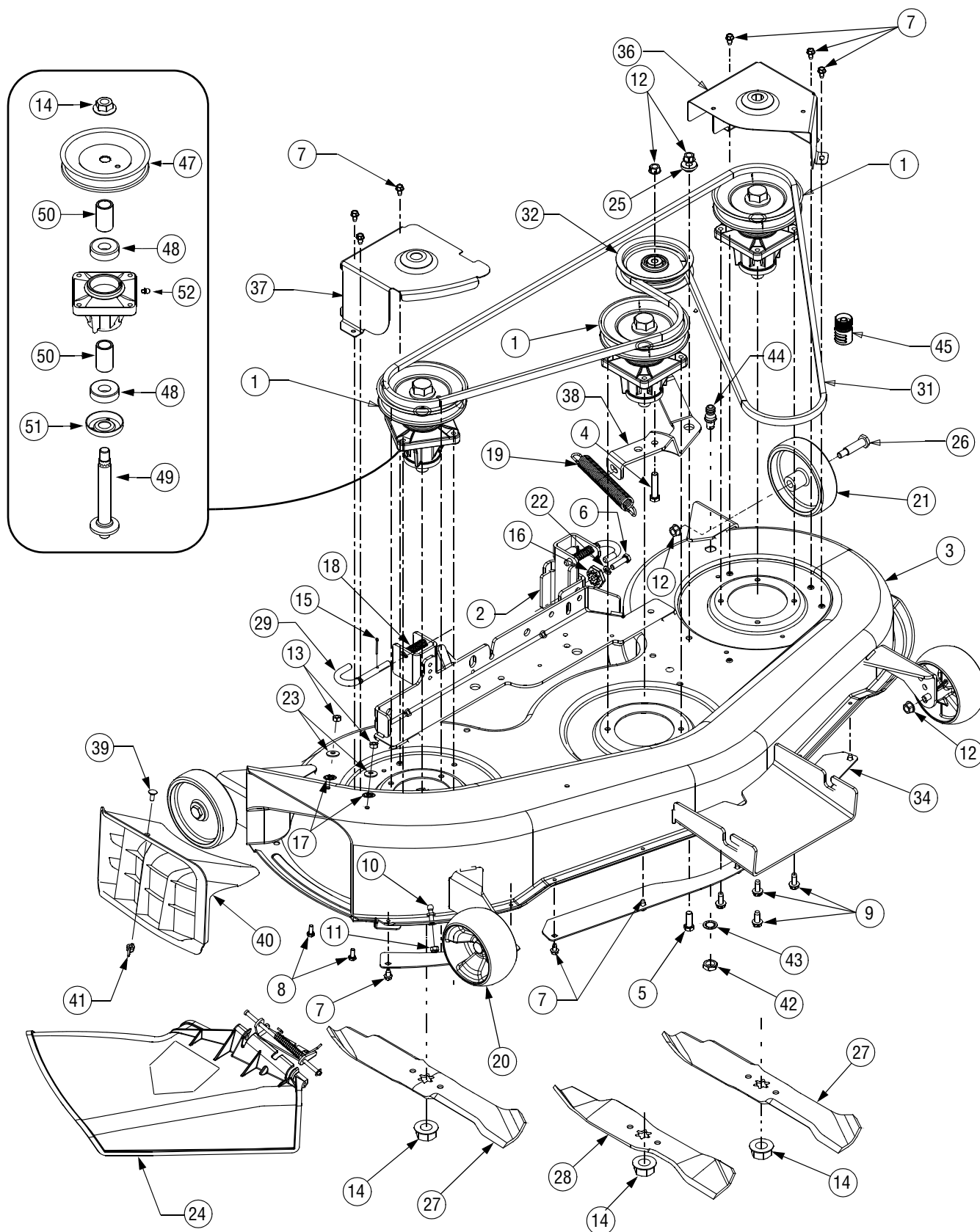
42-INCH MOWER DECK



42-INCH MOWER DECK

REF. NO.	PART NUMBER	DESCRIPTION	QTY.
1	618-0659	Spindle Assembly	2
2	683-04171A	Deck Weldment, 42 inch	1
3	683-0254B	Bracket, Deck Hanger LH	1
4	710-3015	Screw, Hex Cap, 1/4-20, .750, Gr5	2
5	710-0650	Screw, Self-tapping, 5/16-18 x .875	8
6	710-0528	Screw, Self-tapping, 5/16-18 x 1.25	1
7	710-0726	Screw, Self-tapping, 5/16-12 x .75	4
8	710-0599	Screw, Self-tapping, 1/4-20 x .50	5
9	738-0373	Screw, Shoulder, .498 x 1.53, 3/8-16	2
10	711-04069	Pin, Grasscatcher	1
11	712-3006	Nut, Hex, 1/4-20, Gr5	2
12	712-0431	Flange Lock Nut, 3/8-16	5
13	712-04064	Nut, Hx. Nylon Lock, 1/4-20	1
14	712-04065	Nut, Hx. Nylon Lock, 3/8-16	6
15	712-0641	Nut, Hex, M16-1.5	1
16	731-1032B	Chute Assembly, Side Discharge	1
17	710-0134	Carriage Screw, 1/4-20, .62	1
18	714-0470	Pin, Cotter, 1/8 x 1.25	2
19	717-04074	Adjustment Gear, Deck	1
20	721-04041	Coupler, Hose	1
21	726-0233	Nut, Push, .25 ID x .50 OD	2
22	732-0306A	Spring, Extension, .531 x 1.75	1
23	732-04247	Spring, Extension .850 x 6.415	1
24	734-0973	Wheel Deck 5.0 x 1.38	2
25	734-04155	Wheel Deck 5.0	2
26	736-0119	Washer, Lock, 5/16, Regular Duty	1
27	736-0270	Washer, Belleville, .265 x .75 x .062	2
28	736-0300	Washer, Flat, .406 x .875 x .059	2
29	736-0760	Washer, Lock	1
30	750-04446	Spacer, 3/8 x .68 OD x 1.46	1
31	737-04003C	Port, Water	1
32	710-3085	Screw, Hex Cap, 3/8-16, 3.5	1
33	738-04162A	Spacer, Shoulder, .8840 x .190	1
34	742-04126	Blade, 21.20 Lg, 3-in-1	2
35	747-1116	Rod, Handle, Deck Release .375 Dia	2
36	712-3087	Wing Nut, 1/4-20	1
37	731-2363	Baffle, Mulch	1
38	754-04060B	Belt, V-Type	1
39	756-04129	Pulley, Idler, 4.25 Dia.	2
40	783-1146A	Skirt, Deck	1
41	783-04327A	Cover, Belt	2
42	783-04491A	Idler Bracket, Pivot	1
43	738-1010A	Shaft, Spindle, 3/4-18, 5.75	2
44	710-0347	Screw, 3/8-16, 1.75	1
45	738-3056	Screw, Shoulder, .498 x 2.50, 3/8-16	2
46	737-3000	Lube Fitting, 3/16	2
47	712-0417A	Nut, Flange, 5/8-18	4
48	750-1000	Spacer, 1.322	4
49	756-1227	Pulley, 6.3 Dia.	2
50	741-0919	Ball Bearing, .787 x 1.85 x .551	4
51	748-0433	Spacer, .820 x 1.15 x .730	2
52	783-04740	Bracket, PTO Cable	1

46-INCH MOWER DECK



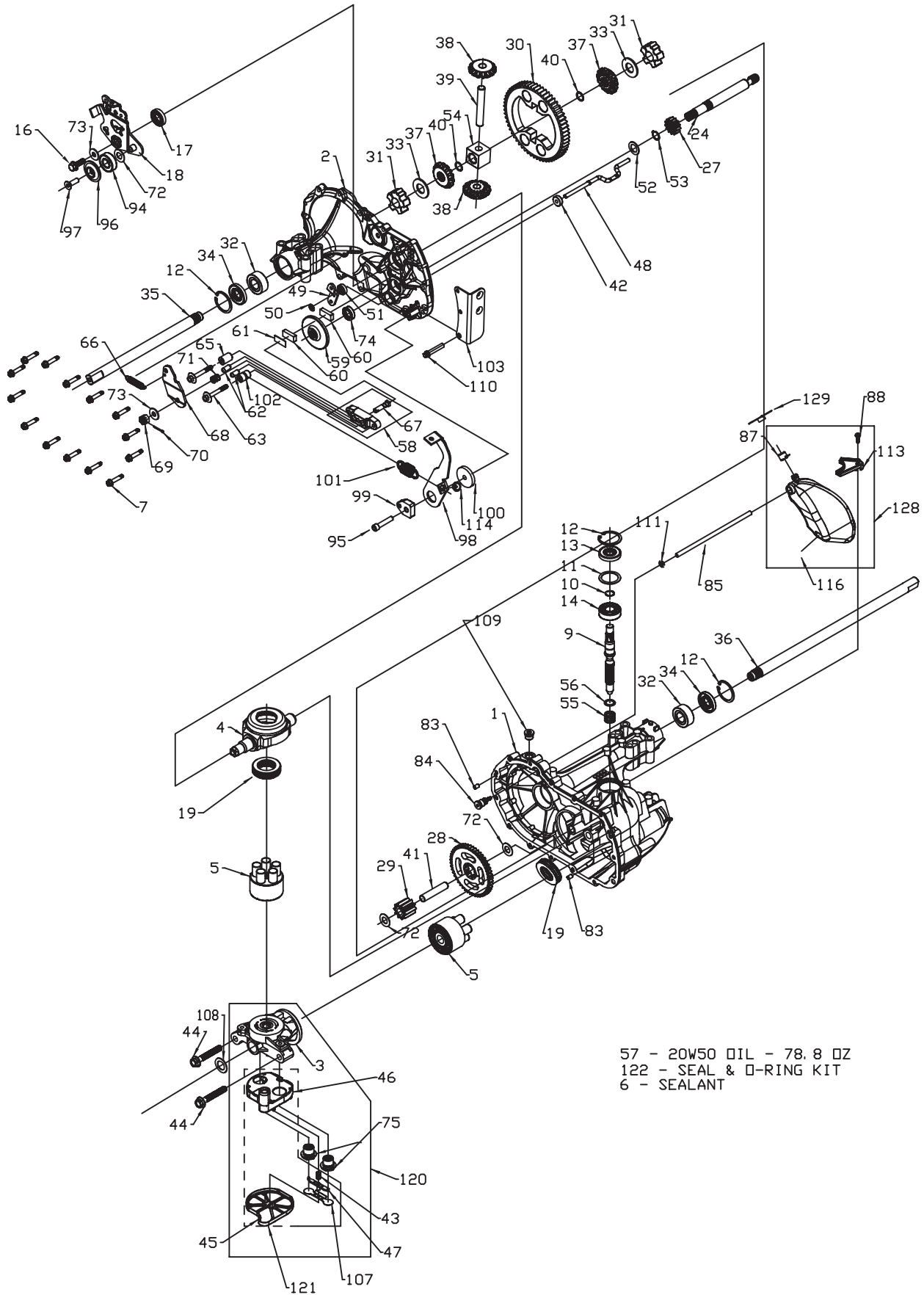
46-INCH MOWER DECK

REF. NO.	PART NUMBER	DESCRIPTION	QTY.
1	618-0660	Spindle Assembly	3
2	683-0254B	Bracket Assembly, Deck Hanger	1
3	683-04172	Deck Weldment, 46-inch	1
4	710-0347	Screw, 3/8-16, 1.75	1
5	710-0514	Hex Cap Screw, 3/8-16, 1.00, Gr5, Std	1
6	710-0528	Screw, 5/16-18, 1.25, Gr5	1
7	710-0599	Screw, Hx. Wash. Hd. Tapp, 1/4-20, 0.5	13
8	710-3015	Screw, Hex Cap, 1/4-20, .750, Gr5	2
9	710-1260A	Self-tapping Screw, 5/16-18 x .75	12
10	711-04069	Pin, Grasscatcher	1
11	712-04064	Nut, Nylon Lock, 1/4-20	1
12	712-0431	Flange Lock Nut, 3/8-16	6
13	712-3006	Nut, Hex, 1/4-20, Gr5	2
14	712-0417A	Nut, Hx. Flange, 5/8-18	3
15	714-0411	Cotter Pin, 1.0	2
16	717-04074	Deck Adjustment Gear	1
17	726-0233	Push Nut	2
18	732-0306A	Compression Spring, 1.75	2
19	732-0594A	Extension Spring, 7.33	1
20	734-04155	Deck Wheel, 5.0	2
21	734-0973	Deck Wheel,	2
22	736-0119	Washer, Lock, 5/16, Regular Duty	1
23	736-0270	Washer, Belleville, .265 x .75 x .062	2
24	731-1032B	Chute Assembly, Side Discharge	1
25	738-0372B	Spacer, Shoulder, 1.00 x .38 x .38	1
26	738-0373	Shoulder Screw	4
27	742-04125	Blade, 16.28	2
28	742-04124	Blade, 14.88	1
29	747-1116	Rod, Handle, Deck Release .375 Dia	2
31	754-04033	Belt, V-Type	1
32	756-04129	Idler Pulley, 4.25	1
34	783-0141	Deck Skirt, Center	1
35	783-0142	Deck Skirt, RH	1
36	783-0747B	Belt Cover, LH	1
37	783-0805C	Belt Cover, RH	1
38	783-1421B	Bracket, Idler	1
39	710-0134	Carriage Screw, 1/4-20, .62	1
40	731-05264	Mulch Plug	1
41	712-3087	Nut, Wing, 1/4-20	1
42	712-0641	Nut, Hex, M16-1.5	2
43	736-0760	Washer, Lock	2
44	737-04003C	Port, Water	2
45	721-04041	Coupler, Hose	1
46	750-3190A	Spacer, Bearing, .780 x 10 x 1.0425	3
47	756-1188	Pulley, 5.75 Dia.	3
48	741-0919	Ball Bearing, .787 x 1.85 x .551	6
49	738-1186	Shaft, Spindle, 5.75	3
50	750-0952	Spacer, 1.8	6
51	17983	Bearing Shield	3
52	737-3000	Lube Fitting, 3/16	3

50-INCH MOWER DECK

REF. NO.	PART NUMBER	DESCRIPTION	QTY.	REF. NO.	PART NUMBER	DESCRIPTION	QTY.
1	16606	Hook, Retainer	1	31	736-0119	Washer, Lock, 5/16	1
2	618-04126	Spindle Assembly	3	32	736-0407	Washer, Bell, .45 x 1.0 x .062	1
3	683-0254B	Hanger Bracket Assembly	1	33	736-0406	Washer, Flat, .442 x 1.38 x .060	1
4	683-04098	Idler Bracket	1	34	737-3000	Fitting, Lube, 3/16	1
5	683-04075	Weldment, 50-inch Deck	1	35	738-0373	Shoulder Screw	4
6	703-3279	Chute Stop	1	36	738-3005	Screw, Shoulder, .68 x 1.59	1
7	710-0347	Screw, 3/8-16, 1.75	2	37	742-04123	Blade, 17.90	3
8	710-3103	Screw, 5/16-18 x 2.00	1	38	747-1116	Rod, Deck Release .375 Dia.	2
9	710-0528	Screw, 5/16-18, 1.25, Gr5	8	39	750-0151	Spacer, .550 x .755 x 1.1	2
10	710-0599	Screw, 1/4-20 x 0.5	6	40	754-04077	Belt, V-Type, Aramid	1
11	710-0726	Screw, 5/16-18 x.625	1	41	756-04129	Pulley, Idler, 3.5"	2
12	710-1260A	Screw, 5/16-18 x .75	12	42	750-0151	Spacer, 1.1"	2
13	710-04095	Screw, 3/8-16 x 1.0	1	43	783-04399	LH Belt Cover	1
14	710-3178	Screw, Carriage, 3/8-16 x .75	1	44	783-04400	RH Belt Cover	1
15	736-0300	Washer, Flat, .406 x .875 x .059	2	45	783-04414A	Deck Skirt, Center	1
16	712-04065	Nut, Nylon Lock, 3/8-16	1	46	783-04415	Deck Skirt, RH	1
17	712-0417A	Nut, Hex, Flange, 5/8-18	2	47	731-3005	Roller	1
18	712-04063	Nut, Nylon Lock, 5/16-18	1	48	731-04651	Baffle, Mulch	1
19	712-0431	Nut, Flange Lock, 3/8-16	5	49	712-0641	Nut, Hex, M16-1.5	2
20	712-3010	Nut, Hex, 5/16-18, Gr5	4	50	736-0760	Washer, Lock	2
21	712-3019	Nut, 7/16-14	2	51	737-04003C	Port, Water	2
22	631-04070	Chute Assembly, Side Discharge	1	52	721-04041	Coupler, Hose	1
23	714-0470	Pin, Cotter, 1/8 x 1.25	1	53	738-1010A	Shaft, Spindle, 5.75	3
24	714-3004	Pin, Cotter, 3/32 x 1.25	2	54	736-0315	Washer, Flat, .760 x 1.5 x .120	3
25	717-04074	Deck Adjustment Gear	1	55	737-3000	Lube Fitting, 3/16	3
26	711-1737	Roller Pin	1	56	750-1000	Spacer, .800 x 1.10 x 1.322	6
27	732-0306A	Spring, Compression, .531 x 1.75	1	57	750-1349	Spacer, 79 x 1.84 x .55	3
28	732-0459B	Spring, Extension, .94 x 6.74	2	58	741-0919	Ball Bearing, .787 x 1.85 x .551	6
29	734-04155	Deck Wheel, 5.0	2	59	756-1171	Pulley, 5.39"	3
30	734-0973	Deck Wheel, 5.0	2	60	726-0233	Push Nut	2

TRANSMISSION



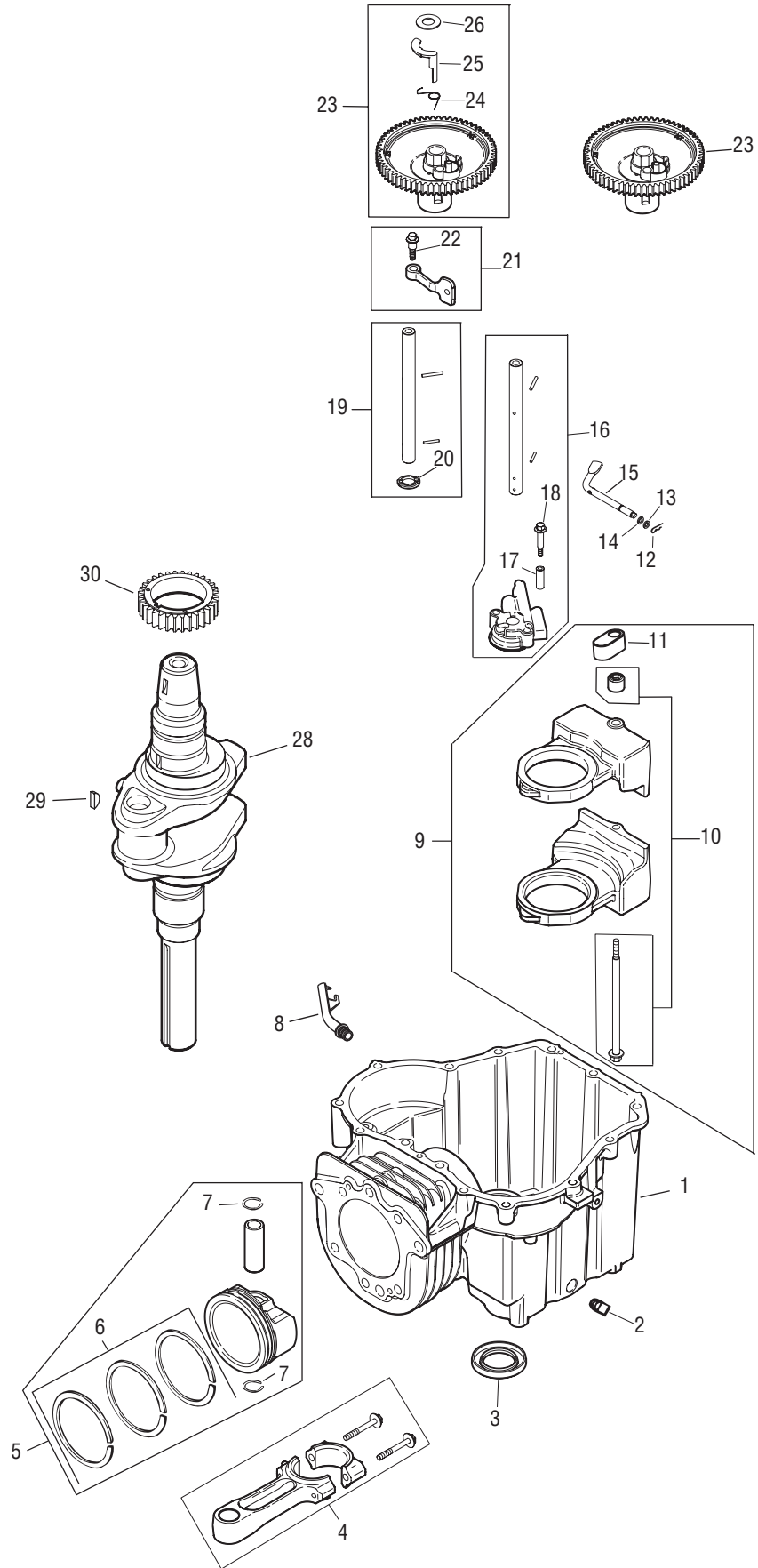
TRANSMISSION

ITEM	PART NUMBER	QTY	DESCRIPTION
1	70467	1	MAIN HOUSING, ASSEMBLY
		1	MAIN HOUSING, MACHINED
		1	BUSHING .865 X .985 X .790
2	70483	1	SIDE HOUSING, ASSEMBLY
		1	SIDE HOUSING, MACHINED
		1	BUSHING .865 X .985 X .790
		1	BUSHING .624 X .719 X .562
3	70477	1	CENTER SECTION, ASSEMBLY
		1	CENTER SECTION, MACHINED
		1	BUSHING .707 X .788 X .591
4	51048	1	SWASHPLATE, TRUNNION MACHINED
5	70331	2	BLOCK - ASSEMBLY
		1	BLOCK - CYLINDER
		5	PISTON
		5	SPRING, COMPRESSION
		5	WASHER - THRUST
6	50928	10.5 0Z	SEALANT
7	51190	14	HEX FLANGE SCREW 1/4-20 X 1.25
9	51062	1	SHAFT, INPUT
10	2000022	1	RING - RETAINING
11	50951	1	SPACER
12	50329	3	RING - RETAINING
13	51161	1	SEAL, LIP .67 X 1.58 X .276
14	50315	1	BALL BRG 17MM ID X 40MM OD X 12MM
16	51064	1	BOLT, HEX FLANGE HEAD 5/16-24 X .94 (PATCH)
17	51140	1	LIP SEAL 18 X 32 X 7
18	51119	1	ARM, CONTROL
19	50551	2	BEARING, 30X52X13 THRUST
24	50966	1	SHAFT, MOTOR
27	51130	1	GEAR - PINNION, 13T
28	51129	1	10T/48T GEAR
29	51043	1	GEAR, 10T JACKSHAFT
30	51044	1	60T BULL GEAR
31	51088	2	SLEEVE BEARING .75 X 1.750 X .625
32	51089	2	SLEEVE BEARING (OUTBOARD) .75 X 1.575 X .625
33	44875	2	WASHER, 3/4 ID X 1-1/2 OD X .13 THK
34	51066	2	LIP SEAL AXLE SEAL
35	51079	1	SHAFT, AXLE .75 X 11.39 (DD, R.H.)
36	51078	1	SHAFT, AXLE .75 X 17.99 (DD, L.H.)
37	44096	2	MITER GEAR (SPLINED)
38	44097	2	MITER GEAR 15T (0.5 ID)
39	50146	1	SHAFT
40	44871	2	RING, SPIRAL RETAINING
41	51083	1	PIN, JACKSHAFT
42	51100	1	MAGNET, RING
43	51136	1	SPRING, BYPASS
44	50016	2	HYDRD MTG SCREW 3/8-24 X 2.5 LONG
45	51581	1	BOTTOM, FILTER
46	51580	1	BASE, FILTER W/ POPPET
47	51091	1	ACTUATOR, BYPASS
48	51098	1	ROD, BYPASS ACTUATOR
49	51135	1	ARM, BYPASS
50	51116	1	RETAINING RING 0.250 EXTERNAL
51	51081	1	SEAL, LIP .741 X .250 X .250 TC
52	44371	1	FLAT WASHER, 5/8 ID X 1.0 OD X .05 THK
53	44145	1	RETAINING RING
54	51071	1	BEARING, CENTER BLOCK
55	2003014	1	SPRING - HELICAL COMPRESSION
56	2003017	1	WASHER
57		78.8 0Z	20W-50 OIL
58	62589	1	KIT, BRAKE YOKE
		1	BRAKE YOKE
		1	SQ. HD. BOLT 5/16-24 RIBBED
59	51072	1	ROTOR, BRAKE
60	44132	2	BRAKE PUCK
61	44134	1	PUCK PLATE
62	44127	2	BRAKE ACTUATING PIN

ITEM	PART NUMBER	QTY	DESCRIPTION
63	51146	2	HFHCS 1/4-20 X 2 W/PATCH, SPECIAL FLANGE
65	23711	1	SPACER
66	70896	1	KIT, SPRING
67	44138	1	SQ. HD. BOLT 5/16-24- RIBBED
68	44094	1	ARM, BRAKE
69	44142	1	SLOTTED HEX NUT 5/16-24
70	44101	1	COTTER PIN 3/32 X 3/4
71	50919	1	COMPRESSION SPRING BRAKE ANTI-DRAG
72	50132	3	WASHER, HT 5 I.D. X 1 O.D. X .032
73	44130	2	FLAT - WASHER 11/32 I.D. X 7/8 O.D.
74	70719	1	KIT, SEAL
		1	OIL SEAL .625 X 1.0 X .25
		1	RING, RET-STAR WASHER
		1	BULLETIN, SHAFT SEAL
75	51084	2	CHECK PLUG ASSEMBLY, .027, WASHER
83	9004800-2506	2	PIN, STANDARD HEADLESS
84	51143	1	FITTING, 5/16 SAE 5/32 TUBE
85	51147	1	HOSE, EXPANSION TANK
87	51251	1	CAP, VENT
88	50653	1	BOLT, SELF TAPPING 10-32 X 1/2
94	44147	1	BALL BEARING .62 ID X 1.38 X .44
95	50837	1	SOCKET HEAD CAP SCREW, 5/16-24 X 1-1/2
96	51200	1	SPACER, LOCATING
97	50870	1	SCREW, SFHCS
98	51120	1	ARM, RETURN
99	51097	1	PUCK, ADJUSTING
100	51122	1	WASHER, .325 OD X 1.60 ID X .150 W
101	51131	1	SPRING, EXTENSION
102	51123	1	SPACER .560 OD X .260 ID X .870
103	51223	1	BRACKET, TORQUE
107	51134	1	DEFLECTOR
108	51069	1	WASHER, MOTOR SHAFT .71 ID X 1.15 OD X .030 THK
109	9005110-5600	1	PLUG, SAE #6
110	50868	1	TORX HEAD SCREW, 5/16-18 T.F.
111	51144	1	O-RING .07 X .301 ID
113	51179	1	BRACKET, SUPPORT EXPANSION TANK
114	51184	1	SPRING GUIDE
116	51196	1	SILICON SPONGE
120	70759	1	CENTER SECTION - FILTER - BYPASS ASSEMBLY
		1	CENTER SECTION MACHINED
		1	BASE FILTER W/ POPPET
		2	CHECK PLUG ASSEMBLY
		1	SPRING, BYPASS
		1	ACTUATOR, BYPASS
		1	DEFLECTOR
		1	BOTTOM, FILTER
		1	BUSHING, .707 X .788 X .591
121	70756	1	FILTER ASSEMBLY
		1	BOTTOM, FILTER
		1	BASE, FILTER W/ POPPET
		1	SPRING, BYPASS
		1	ACTUATOR, BYPASS
		1	DEFLECTOR
122	70463	1	SEAL - O-RING KIT
128	70503	1	KIT, EXPANSION TANK
		1	TANK, EXPANSION
		1	CAP, VENT
		1	BOLT, SELF TAPPING 10-32 X 1/2
		1	BRACKET, SUPPORT EXPANSION TANK
		1	SILICON SPONGE 1/2 X 1/2 X 3/16
129	51252	1	CAP, EXPANSION TANK SHIPPING

NOTE: Include a HG- prefix when ordering replacement transmission parts (i.e. HG-70467).

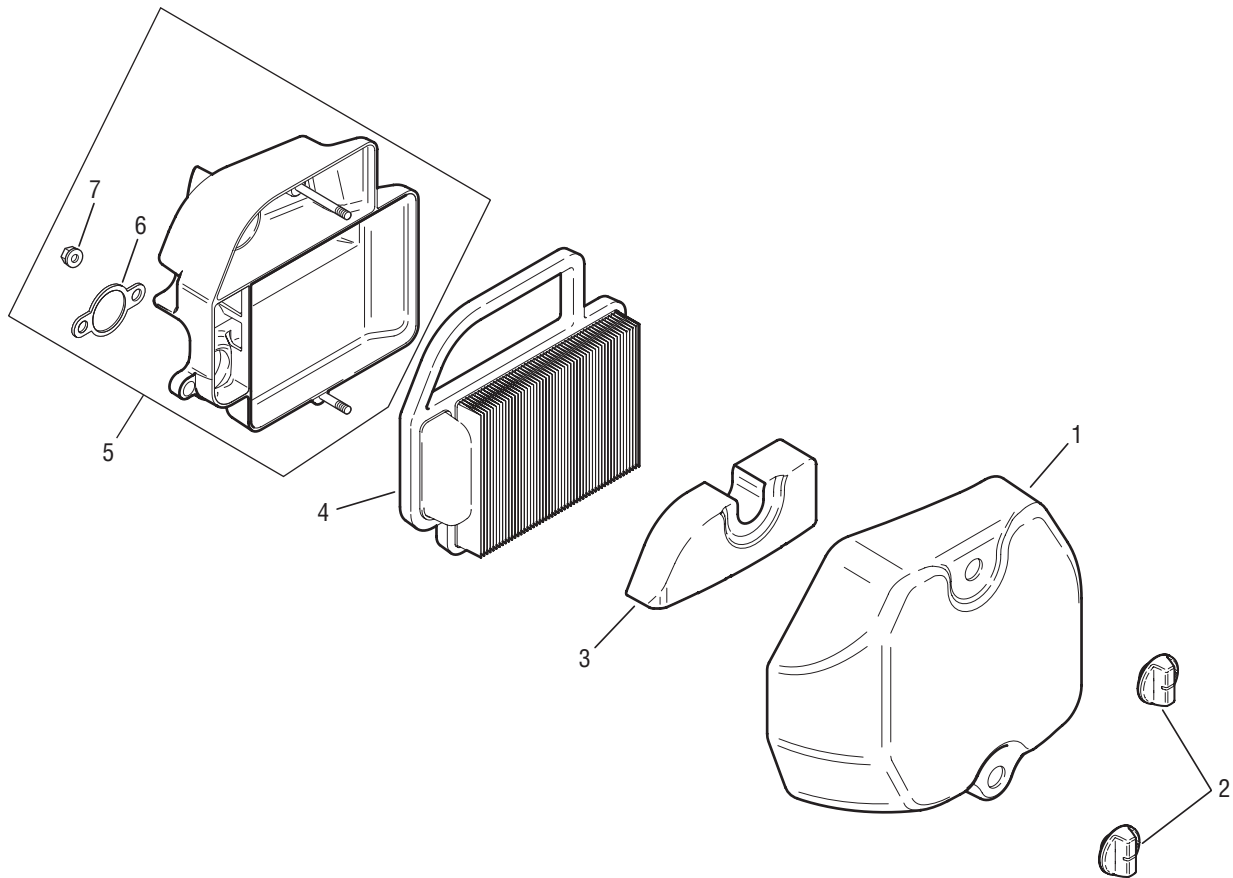
SINGLE-CYLINDER ENGINE — CRANKCASE



SINGLE-CYLINDER ENGINE — CRANKCASE

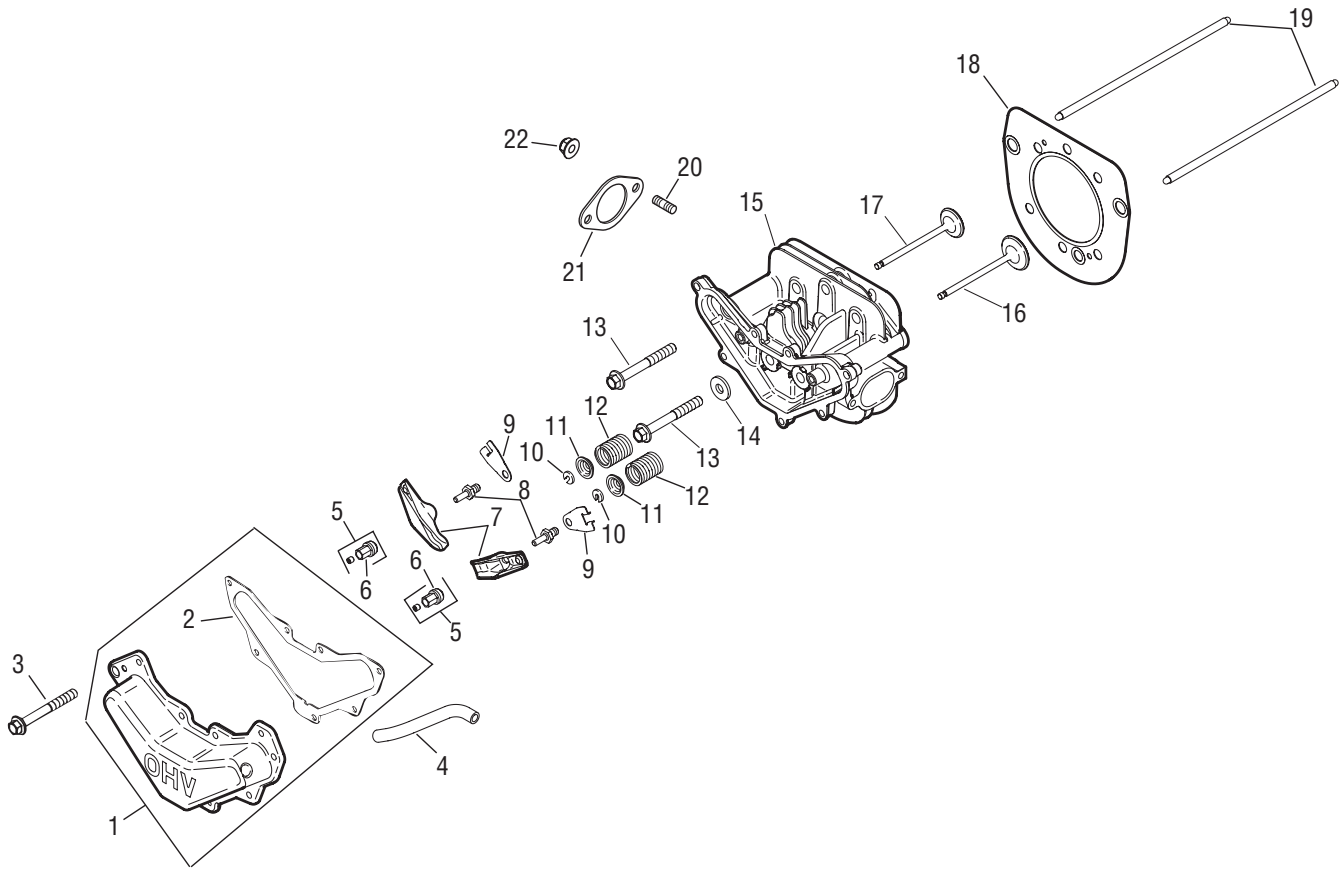
REF. NO.	PART NUMBER	DESCRIPTION	QTY.
1	—	Crankcase (LT1042: Not available) (LT1045: Use Short Block KH-20-522-01)	1
2	KH-25-139-57-S	Plug, sq. hd. pipe 3/8"	1
3	KH-20-032-01-S	Seal, oil	1
4	KH-20-067-04-S	Rod, connecting	1
5	KH-20-874-05-S	Piston w/ Ring Set (Includes 6,7)	1
6	KH-20-108-02-S	Ring Set (89 mm)	1
7	KH-20-018-04-S	Retainer, piston pin	2
8	KH-20-123-02-S	Tube, drainback	1
9	KH-20-755-04-S	Kit, balance weight (Includes 10,11)	1
10	KH-20-380-16-S	Kit, screw/guide pin	1
11	KH-20-423-02-S	Shoe, guide	1
12	KH-12-154-05	Clip, hitch pin	1
13	KH-M-631015	Washer, plain	1
14	KH-X-25-102-S	Washer, plain	1
15	KH-20-144-02-S	Shaft, governor cross	1
16	KH-20-393-02-S	Pump assembly, oil (Includes 17-19)	1
17	KH-20-112-02-S	Spacer, oil pump screw	2
18	KH-20-086-13-S	Screw, oil pump	2
19	KH-20-144-06-S	Shaft center, cam – Exhaust	1
20	KH-20-468-01-S	Washer, thrust	1
21	KH-20-090-01-S	Lever assembly, cam (2) (Includes 22)	1
22	KH-20-086-06-S	Screw, shoulder	1
23	KH-20-010-04-S	Gear assembly, cam (Includes 24-26)	2
24	KH-20-089-06-S	Spring, ACR	1
25	KH-20-044-16-S	Weight, ACR	1
26	KH-20-468-03-S	Washer, thrust – ACR	2
28	KH-20-014-20-S	Crankshaft	1
29	KH-X-42-15	Key 3/16"	1
30	KH-20-043-12-S	Gear, crankshaft	1

SINGLE-CYLINDER ENGINE — AIR INTAKE / FILTRATION



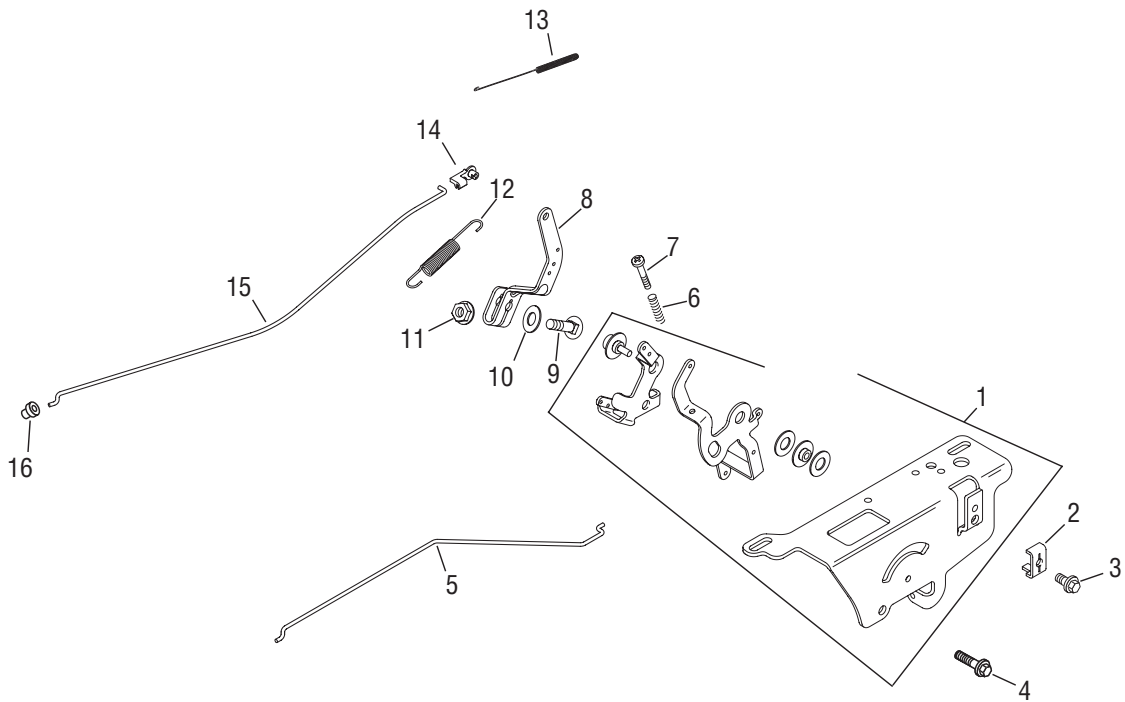
REF. NO.	PART NUMBER	DESCRIPTION	QTY.
1	KH-20-096-04-S	Cover, air cleaner	1
2	KH-25-341-04-S	Knob, cover	2
3	KH-20-083-03-S	Element, precleaner	1
4	KH-20-083-02-S	Element, air cleaner	1
5	KH-20-094-01-S	Kit, air cleaner base (Includes 6)	1
6	KH-12-041-02	Gasket, air cleaner base	1
7	KH-M-641060-S	Nut, hex, flange M6 x 1.0	1

SINGLE-CYLINDER ENGINE — CYLINDER HEAD



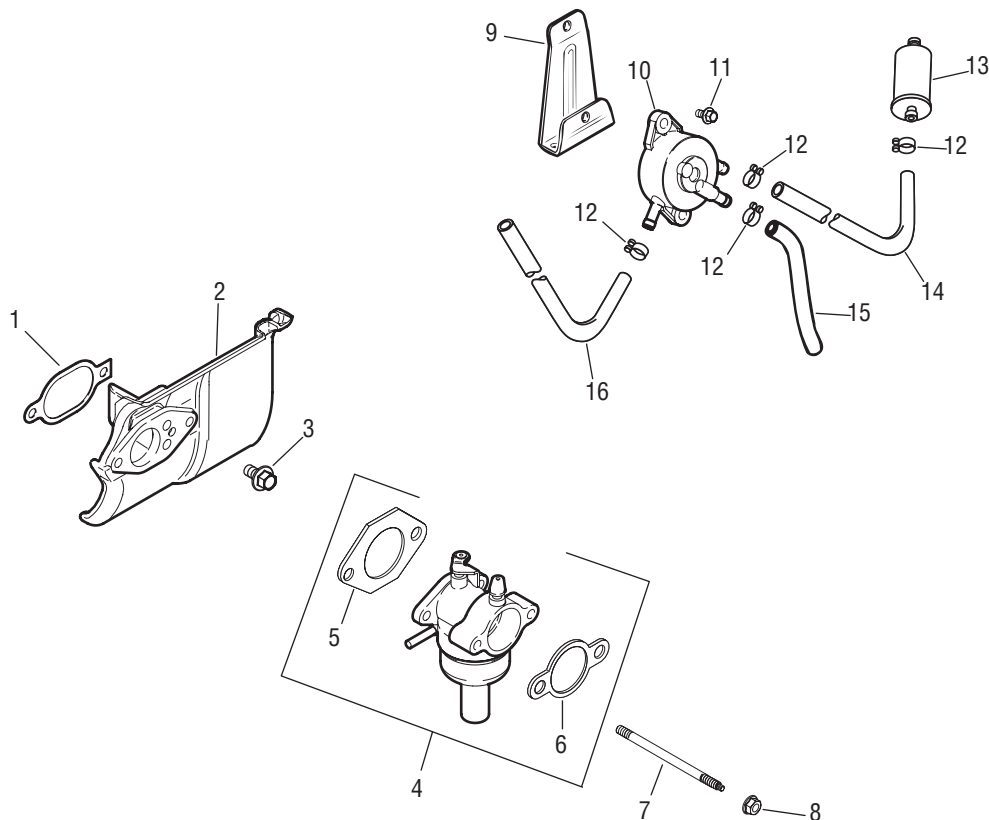
REF. NO.	PART NUMBER	DESCRIPTION	QTY.
1	KH-20-096-07-S	Kit, valve cover (Includes 2)	1
2	KH-20-041-04-S	Gasket, valve cover	1
3	KH-M-645020-S	Screw, hex. flange M6x1.0x20	7
4	KH-20-326-01-S	Hose, breather	1
5	KH-20-086-04-S	Screw, set	2
6	KH-20-599-01-S	Pivot, rocker arm	2
7	KH-20-186-01-S	Arm, rocker	2
8	KH-20-086-03-S	Stud, rocker	2
9	KH-20-146-03-S	Plate, push rod guide	2
10	KH-20-062-01-S	Lock, retainer	2
11	KH-20-173-01-S	Cap, valve spring	2
12	KH-20-089-03-S	Spring, valve	2
13	KH-20-086-02-S	Screw, hex. flange M10x1.5x37	6
14	KH-12-468-05	Washer, flat 1/2"	1
15	KH-20-318-01-S	Head, cylinder	1
16	KH-20-016-01-S	Valve, exhaust	1
17	KH-20-017-01-S	Valve, intake	1
18	KH-20-841-02-S	Kit, head gasket. (Includes 13, 14, KH-12-041-01-S, KH-12-041-02-S & KH-20-041-07-S)	1
19	KH-20-411-04-S	Rod, push	2
20	KH-25-072-04	Stud, exhaust	2
21	KH-20-041-12-S	Gasket	1
22	KH-M-0841080	Nut, hex flange M8x1.25	2

SINGLE-CYLINDER ENGINE — ENGINE CONTROLS



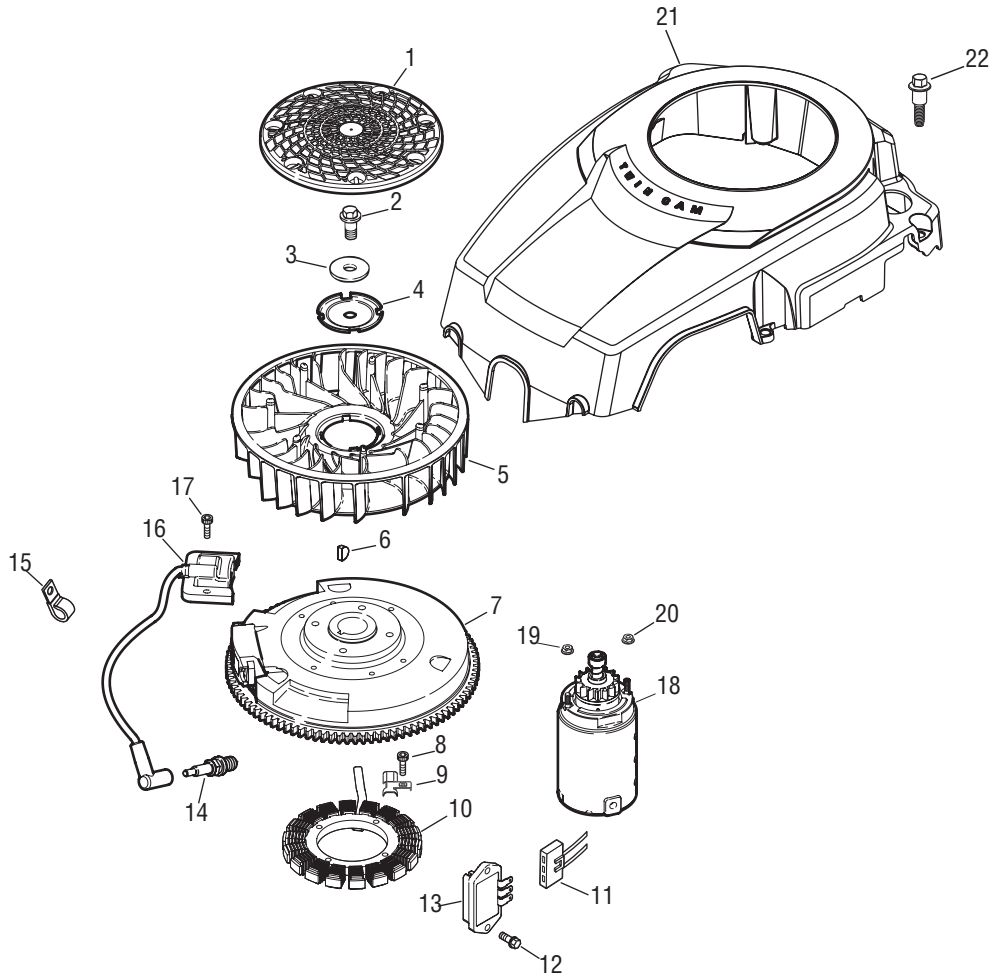
REF. NO.	PART NUMBER	DESCRIPTION	QTY.
1	KH-20-536-05-S	Control assembly, speed (Includes 4,6,7,12)	1
2	KH-12-237-01	Clamp, cable	2
3	KH-M-545016-S	Screw, hex flange thread forming M5x0.8x16	2
4	KH-M-664020-S	Screw, 6 lobed socket thread forming M6x1.0x20	2
5	KH-20-079-05-S	Linkage, choke – single wire	1
6	KH-12-089-11	Spring, speed control	1
7	KH-20-086-10-S	Screw, thread forming M4x0.7x25	1
8	KH-20-090-02-S	Lever, governor	1
9	KH-52-211-04	Bolt, round head square neck 1/4-20 x 1"	1
10	KH-X-22-11	Washer, internal tooth lock 1/4"	1
11	KH-12-100-07	Nut, hex. flange 1/4-20"	1
12	KH-20-089-11-S	Spring, governor	1
13	KH-20-089-10-S	Spring, linkage	1
14	KH-25-158 -11	Bushing, throttle linkage	1
15	KH-20-079-04-S	Linkage, throttle	1
16	KH-25-158-08	Bushing, linkage retaining	1

SINGLE-CYLINDER ENGINE — FUEL SYSTEM



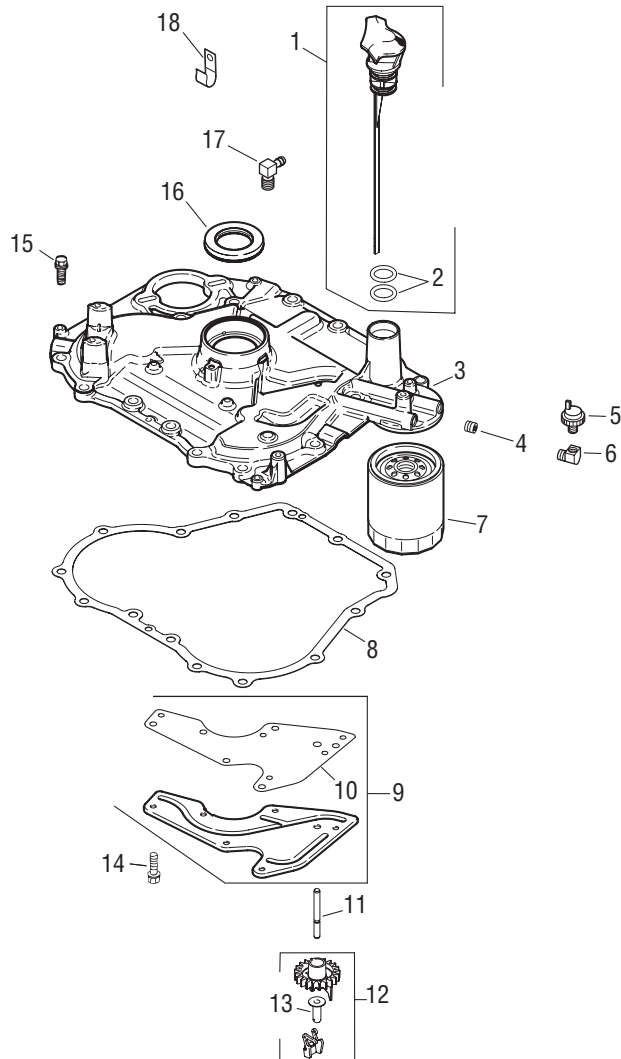
REF. NO.	PART NUMBER	DESCRIPTION	QTY.	REF. NO.	PART NUMBER	DESCRIPTION	QTY.
1	KH-20-041-07-S	Gasket, heat deflector	1	15	KH-41-353-06-S	Line, fuel 4" (pump to carb)	1
2	KH-20-265-01-S	Deflector, heat	1	16	KH-52-353-20	Line, fuel 10" (pump to fitting)	1
3	KH-M-651020-S	Screw, hex. flange	1			NOT ILLUSTRATED	
4	KH-20-853-16-S	Carburetor w/gaskets (Includes 5,6)	1		KH-20-431-01-S	Sleeve, fuel line	1
5	KH-12-041-01	Gasket, carburetor	1		KH-X-22-11	Washer, lock 1/4" (ground)	1
6	KH-12-041-02	Gasket, air cleaner	1		KH-12-755-110-S	Kit, choke shaft	1
7	KH-20-072-05-S	Stud, carburetor mounting	1		KH-12-757-02	Kit, float	1
8	KH-M-641060-S	Nut, hex. flange M6x1.0	2		KH-12-757-03	Kit, carburetor repair	1
9	KH-20-126-02-S	Bracket, fuel pump mounting	1		KH-12-757-33	Kit, solenoid repair	1
10	KH-24-393-16	Pump, fuel	1		KH-12-757-37-S	Kit, bowl replacement w/gaskets	1
11	KH-M-545010	Screw, hex. flange	1		KH-12-454-03-S	Tie, wire	1
12	KH-25-237-14-S	Clamp, hose	6		KH-20-755-06-S	Kit, High Altitude (5K ft) (Includes 5,6)	1
13	KH-25-050-22-S	Filter, fuel	1		KH-20-755-07-S	Kit, High Altitude (10K ft) (Includes 5,6)	1
14	KH-20-353-01-S	Line, fuel 15.75" (pump to filter)	1				

SINGLE-CYLINDER ENGINE — IGNITION / ELECTRICAL & BLOWER HOUSING



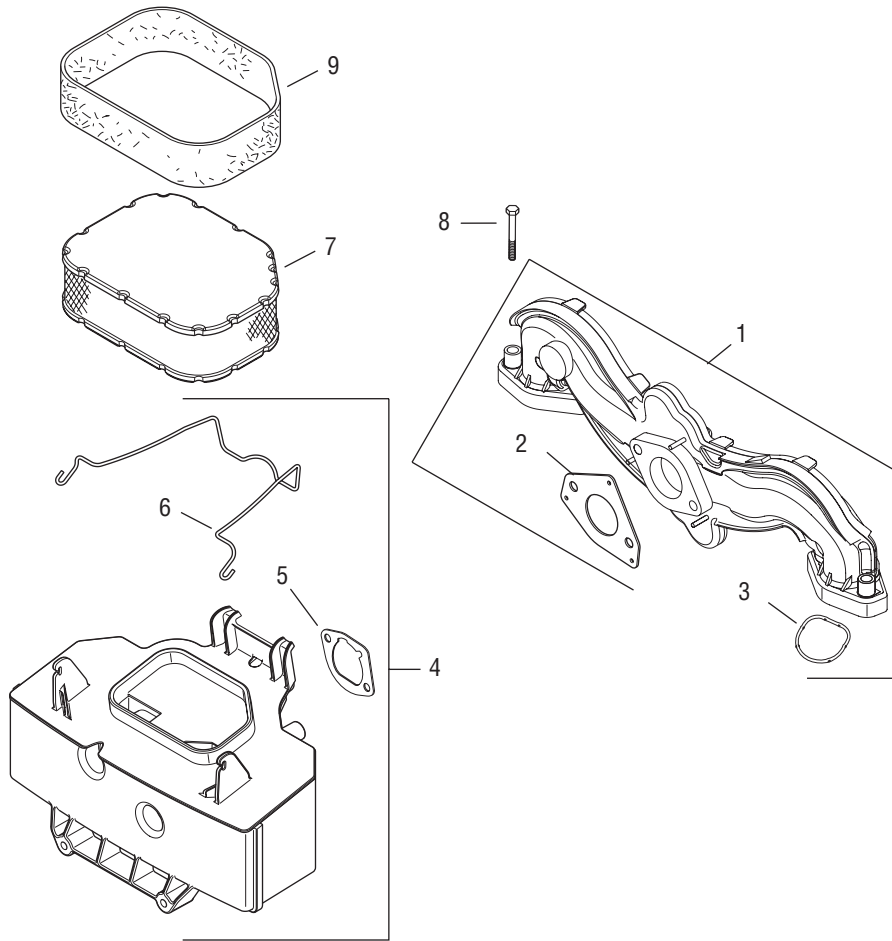
REF. NO.	PART NUMBER	DESCRIPTION	QTY.	REF. NO.	PART NUMBER	DESCRIPTION	QTY.
1	KH-20-162-02-S	Screen, grass	1	14	759-3336	Plug, spark	1
2	KH-12-086-14	Screw, hex. flange M10-1.5 x 46	1	15	KH-231285-S	Clip, cable	2
3	KH-12-468-03	Washer, flat	1	16	KH-20-584-01-S	Module, ignition	1
4	KH-20-146-02-S	Plate, fan mounting	1	17	KH-M-561025-S	Screw, hex socket M5 x 0.8 x 25	2
5	KH-20-157-01-S	Fan	1	18	KH-20-098-06-S	Starter Ass'y, inertia drive	1
6	KH-X-42-15	Key, woodruff	1	19	KH-25-100-31-S	Nut, hex. serrated flange #10-24	2
7	KH-20-025-05-S	Flywheel	1	20	KH-12-100-07	Nut, hex. flange 1/4-20	1
8	KH-20-086-17-S	Screw, hex. socket M5-0.8 x 25	2	21	KH-20-027-06-S	Housing, blower	1
9	KH-20-154-02-S	Clip, wire	1	22	KH-20-086-06-S	Screw, shoulder M5-0.8 x 36	4
10	KH-237878	Kit, stator	1	NOT ILLUSTRATED			
11	KH-236602-S	Connector, body (3 contact)	1		KH-20-027-06-S	Clamp. wire (clamps harness to blower housing)	1
12	KH-M-545020-S	Screw, hex. flange M5-0.8 x 20	2		KH-20-176-02-S	Harness, wiring	1
13	KH-41-403-09	Rectifier-regulator	1				

SINGLE-CYLINDER ENGINE — OIL PAN / LUBRICATION



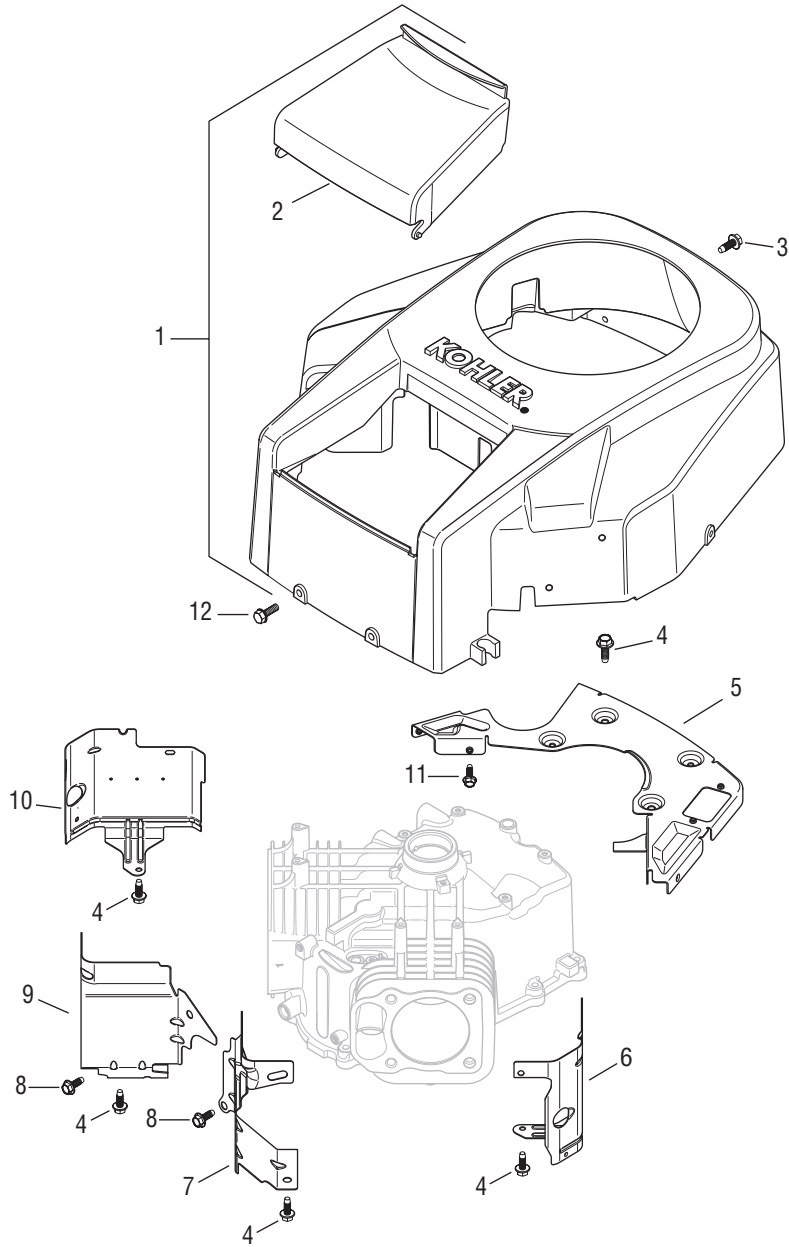
REF. NO.	PART NUMBER	DESCRIPTION	QTY.
1	KH-20-040-03-S	Kit, dipstick assembly (Includes 2)	1
2	KH-20-153-01-S	O-Ring, dipstick	1
3	KH-20-009-03-S	Plate assembly, closure (Includes 4,10,11)	1
4	KH-25-139-60-S	Plug, pipe	2
5	KH-25-099-24-S	Switch, pressure	1
6	KH-25-054-13-S	Elbow, street	1
7	KH-12-050-08	Filter, oil	1
8	KH-20-041-01-S	Gasket, closure plate	1
9	KH-20-096-02-S	Kit, oil passage cover (Includes 8)	1
10	KH-20-041-02-S	Gasket, oil passage	1
11	KH-20-144-03-S	Shaft, governor gear	1
12	KH-20-310-03-S	Kit, gear and weight assembly (Includes 11)	1
13	KH-12-380-01-S	Pin, governor regulating	1
14	KH-M-545013-S	Screw, hex. flange M5x0.8x13	6
15	KH-M-851030-S	Screw, hex. flange M8x1.25x30	14
16	KH-20-032-01-S	Seal, oil	1
17	KH-25-155-02-S	Connector, 90°	1
18	KH-231285-S	Clip, cable	1

TWIN-CYLINDER ENGINE — AIR INTAKE / FILTRATION



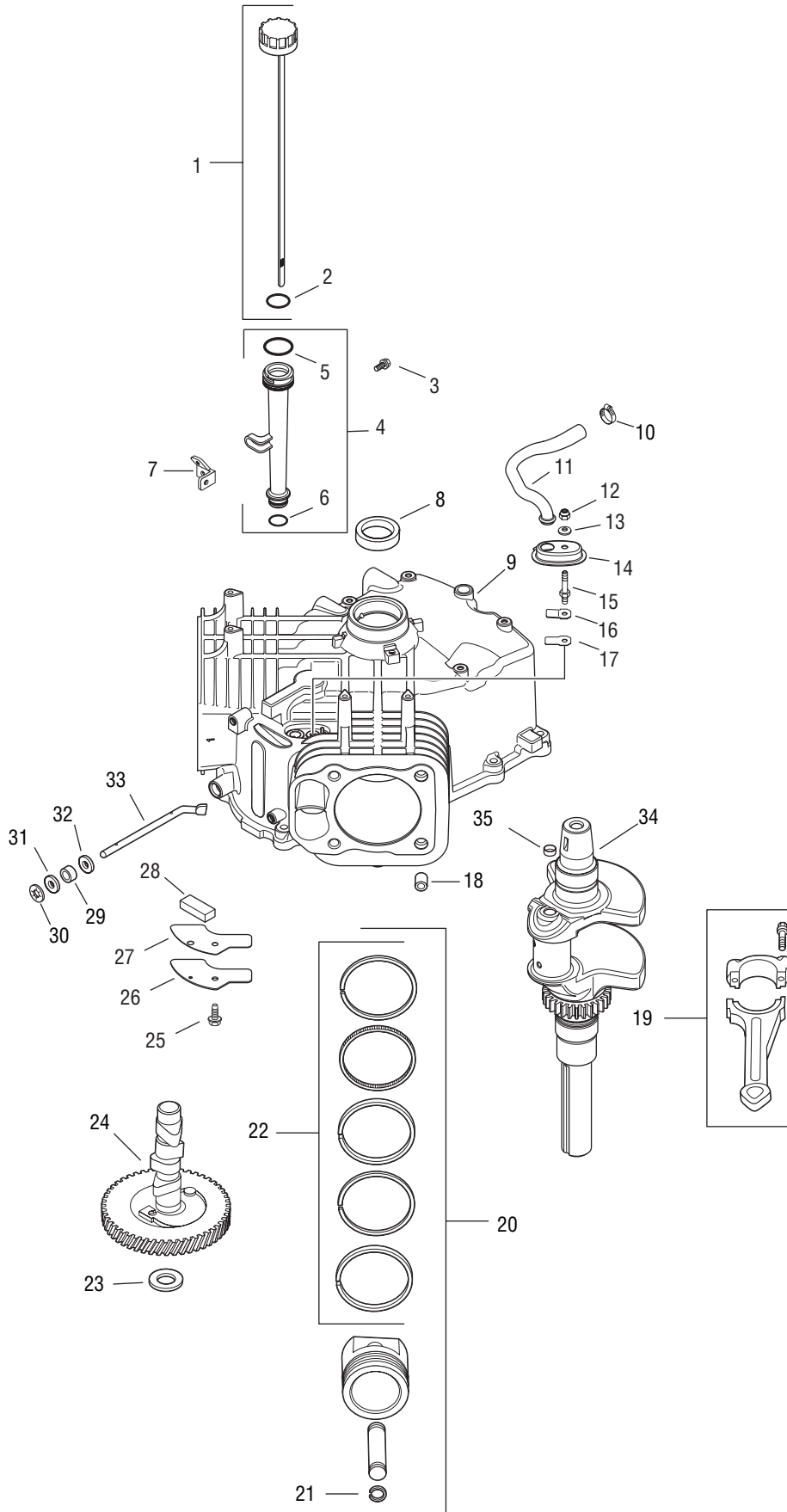
REF. NO.	PART NUMBER	DESCRIPTION	QTY.
1	KH-24-164-51-S	Manifold, intake (Includes 2,3)	1
2	KH-24-041-52-S	Gasket, carburetor	1
3	KH-24-153-27-S	O-Ring, intake port	2
4	KH-32-094-03-S	Base, air cleaner (Includes 5,6)	1
5	KH-24-041-14	Gasket, air cleaner base	1
6	KH-32-344-02-S	Latch, air cleaner element	1
7	KH-32-083-03-S	Element, air cleaner	1
8	KH-M-651040-S	Screw, hex. flange M6x1.0x40	4
9	KH-32-083-05-S	Pre-cleaner, element	1

TWIN-CYLINDER ENGINE — BLOWER HOUSING & BAFFLES



REF. NO.	PART NUMBER	DESCRIPTION	QTY.
1	KH-32-027-03-S	Housing, blower (Includes 2, 41 037 10-S)	1
2	KH-32-096-08-S	Cover, air cleaner	1
3	KH-M-545016-S	Screw, hex. flange M5x0.8x16	4
4	KH-M-645016-S	Screw, hex. flange M6x1.0x16	8
5	KH-32-146-05-S	Plate, backing w/rectifier-regulator opening	1
6	KH-32-063-05-S	Baffle, cylinder barrel - #2 side	1
7	KH-32-063-02-S	Baffle, valley - #2 side	1
8	KH-M-545010	Screw, hex. flange M5x0.8x10	4
9	KH-32-063-03-S	Baffle, valley - #1 side	1
10	KH-32-063-04-S	Baffle, cylinder barrel-#1 side	1
11	KH-M-545020-S	Screw, hex. flange M5x0.8x20	2
12	KH-24-086-12	Screw, hex. cap M6x1.7x18	2

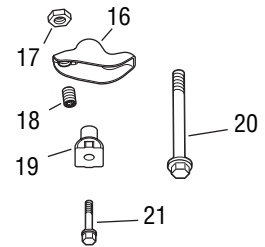
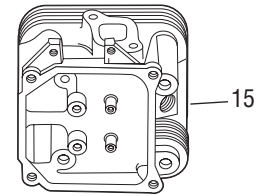
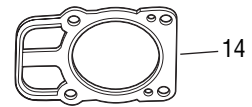
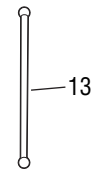
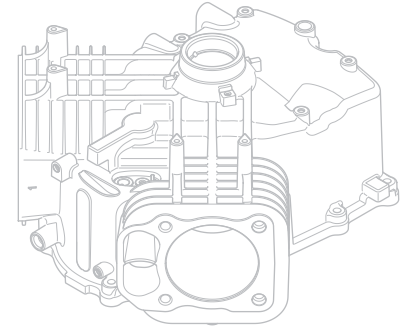
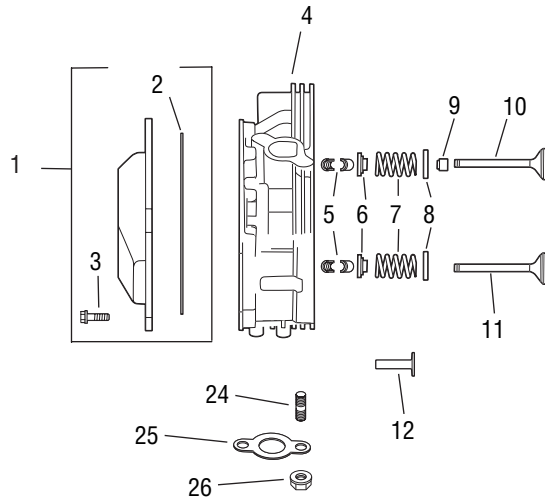
TWIN-CYLINDER ENGINE — CRANKCASE



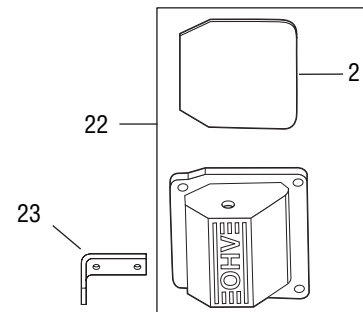
TWIN-CYLINDER ENGINE — CRANKCASE

REF. NO.	PART NUMBER	DESCRIPTION	QTY.
1	KH-32-038-01-S	Kit, dipstick (Includes 2)	1
2	KH-12-153-03	O-Ring	1
3	KH-M-545016-S	Screw, hex. flange thread forming	1
4	KH-12-123-04	Tube, oil fill (Includes 5,6)	1
5	KH-12-153-02-S	O-Ring, upper oil fill tube	1
6	KH-12-153-01-S	O-Ring, lower oil fill tube	1
7	KH-24-126-19	Bracket, oil fill tube	1
8	KH-24-032-01-S	Seal, oil	1
9		Crankcase (USE: Miniblock KH-32-782-01)	1
10	KH-25-237-14-S	Clamp, hose	1
11	KH-32-326-04-S	Hose, breather	1
12	KH-M-547050-S	Nut, hex. lock M5x0.8	1
13	KH-32-468-01-S	Washer, sealing	1
14	KH-32-081-02-S	Housing, breather	1
15	KH-32-072-02-S	Stud, breather cover	2
16	KH-24-018-04	Retainer, breather reed	2
17	KH-24-402-05-S	Reed, breather	2
18	KH-24-380-16-S	Pin, locating	6
19	KH-24-067-13-S	Connecting Rod (Std.)	2
20	KH-32-874-06-S	Piston w/Ring Set (Std.) (Includes 21)	2
	TBD	Piston w/Ring Set (.25)	2
21	KH-24-018-01	Retainer, piston pin	4
22	KH-24-108-05-S	Ring Set (Std.)	2
	KH-24-108-06-S	Ring Set (.25)	2
23	KH-12-422-10	Shim, camshaft (yellow)	A.R.
	KH-12-422-09	Shim, camshaft (red)	A.R.
	KH-12-422-13	Shim, camshaft (black)	A.R.
	KH-12-422-07	Shim, camshaft (white)	A.R.
	KH-12-422-08	Shim, camshaft (blue)	A.R.
	KH-12-422-11	Shim, camshaft (green)	A.R.
	KH-12-422-12	Shim, camshaft (gray)	A.R.
24	KH-32-012-01-S	Kit, camshaft	1
25	KH-M-645016-S	Screw, hex. flange thread forming	1
26	KH-32-096-04-S	Cover, breather	1
27	KH-32-041-01-S	Gasket, breather cover	1
28	KH-32-050-01-S	Filter, breather	1
29	KH-28-032-09-S	Seal, governor cross shaft	1
30	KH-24-018-09-S	Ring, retainer	1
31	KH-M-931010-S	Washer, plain 8 mm	1
32	KH-24-468-15-S	Washer, flat 1/4"	1
33	KH-24-144-38-S	Shaft, governor cross	1
34	KH-32-014-02-S	Crankshaft (Includes 35)	1
35	KH-52-139-09	Plug, cup	1

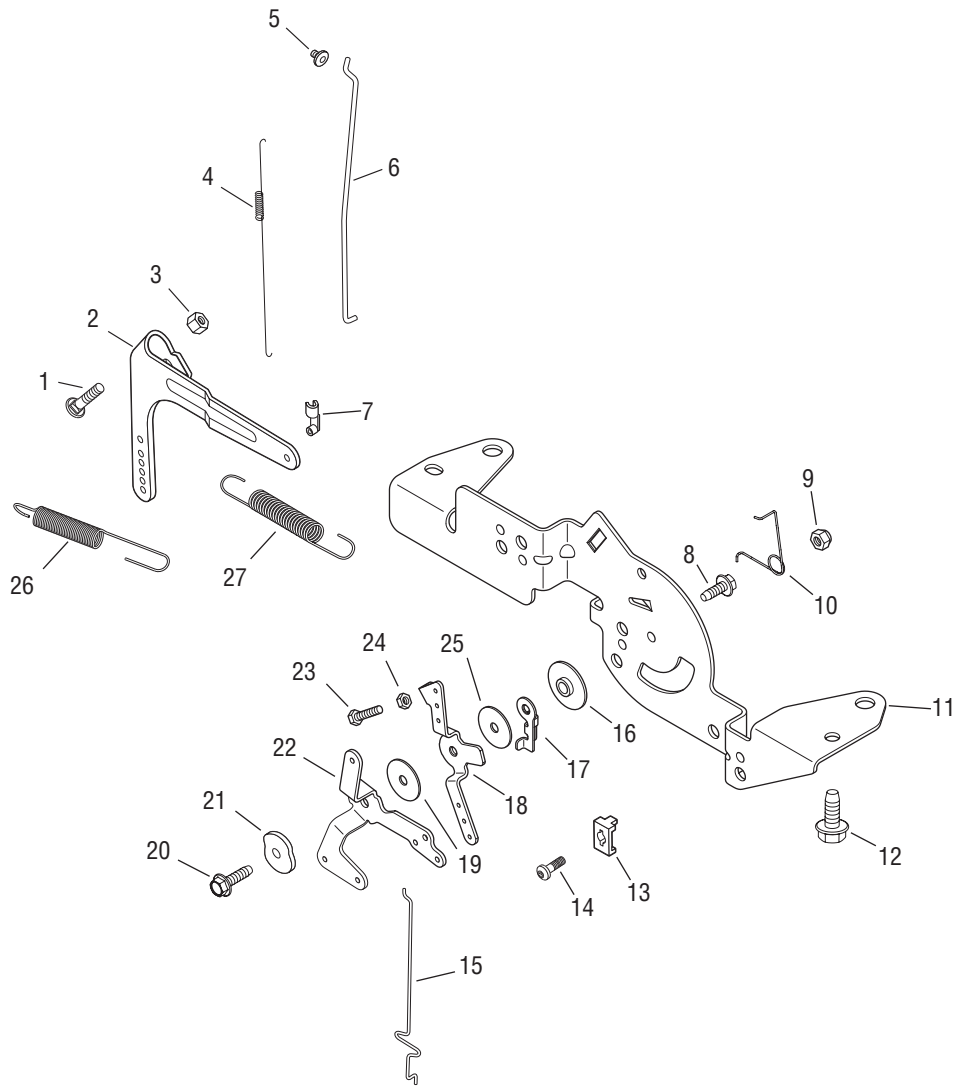
TWIN-CYLINDER ENGINE — CYLINDER HEAD



REF. NO.	PART NUMBER	DESCRIPTION	QTY.
1	KH-24 755 141-S	Kit, valve cover - plain (Includes 2,3)	1
2	KH-24 153 28-S	O-Ring	1
3	KH-M-651030-S	Screw, hex. flange M6x1.0x30	4
4	KH-32 318 01-S	Head assembly, #1 cylinder	1
5	KH-12 755 03	Kit, retainer	4
6	KH-12 173 01	Cap, valve spring	2
7	KH-24 089 02	Spring, valve	2
8	KH-235011-S	Retainer, spring	2
9	KH-66 032 05-S	Seal, valve stem	1
10	KH-24 017 01	Valve, intake (Std.)	1
	KH-24 017 02	Valve, intake (.25)	1
11	KH-24 016 01	Valve, exhaust (Std.)	1
	KH-24 016 02	Valve, exhaust (.25)	1
12	KH-32 019 01-S	Tappet	4
13	KH-32 411 02-S	Rod, push	2
14	KH-24 841 03-S	Kit, cylinder head gasket (Includes head mounting hardware & KH-24 - 041-49-S, KH- 24-153-27-S)	2
15	KH-32 318 02-S	Head assembly, #2 cylinder	1
16	KH-32 186 02-S	Arm, rocker	2
17	KH-32 100 04-S	Nut, hex. M10x0.75	4
18	KH-32 086 03-S	Screw, set	4
19	KH-32 599 02-S	Pivot, rocker arm	2
20	KH-12 086 16	Screw,Hex. flange M10x1.5x90	4
21	KH-32-086-04-S	Screw, hex. flange M6x1.0x45	4
22	KH-32 096 06-S	Kit, valve cover - breather (Includes 2)	1
23	KH-24 445 01	Strap, lifting	1
24	KH-25 072 04	Stud, M8x1.25x33	4
25	KH-24 041 49-S	Gasket, exhaust manifold	1
26	KH-M-841080	Nut, hex. flange M8x1.25	4

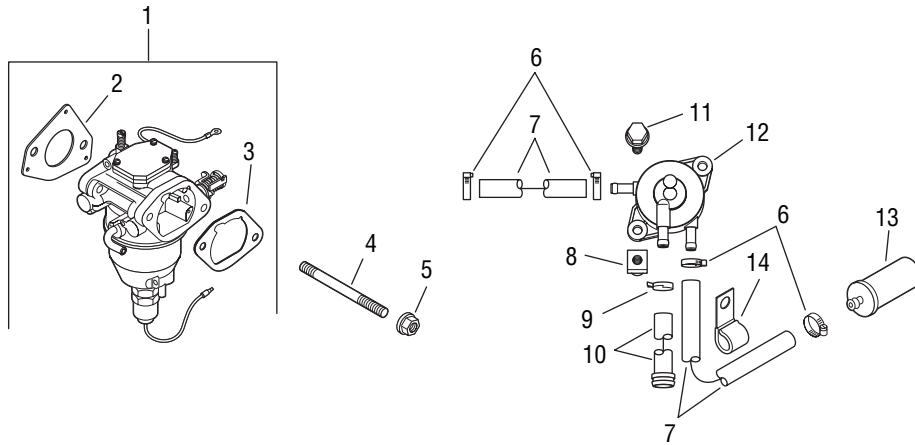


TWIN-CYLINDER ENGINE —ENGINE CONTROLS



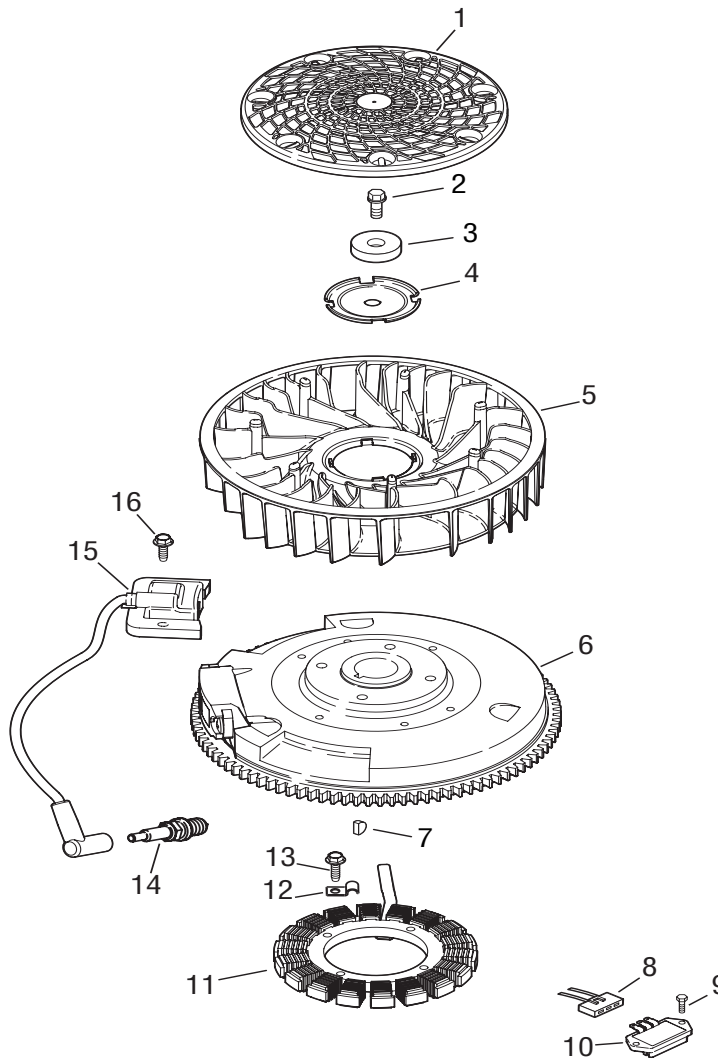
REF. NO.	PART NUMBER	DESCRIPTION	QTY.	REF. NO.	PART NUMBER	DESCRIPTION	QTY.
1	KH-24-211-03-S	Bolt, round hd square neck	1	14	KH-24-086-43-S	Screw, thread forming	1
2	KH-24-090-33-S	Lever, governor	1	15	KH-24-079-22-S	Linkage, choke	1
3	KH-M-641060-S	Nut, hex. flange M6x1.0	1	16	KH-24-112-27-S	Spacer, control assembly	1
4	KH-24-089-01	Spring, linkage	1	17	KH-24-090-47-S	Lever, throttle actuator	1
5	KH-25-158-08	Bushing, linkage retaining	1	18	KH-24-090-13	Lever, throttle control	1
6	KH-24-079-04	Linkage, throttle	1	19	KH-24-468-01	Washer, plain 5.5 mm	1
7	KH-25-158-11	Bushing, throttle linkage	1	20	KH-M-545020-S	Screw, hx. flange M5x0.8x20	1
8	KH-M-545016-S	Screw, hex. flange M5x0.8x16	1	21	KH-41-468-03	Washer, spring 1/4"	1
9	KH-M-547050-S	Nut, hex. lock M5x0.8	1	22	KH-24-090-05	Lever, choke	1
10	KH-24-089-03	Spring, choke return	1	23	KH-M-403025	Screw, hex. head cap	1
11	KH-24-126-161-S	Bracket, control	1	24	KH-M-446030-S	Nut, hex. M4x0.7	1
12	KH-M-645016-S	Screw, hx. flange M6x1.0x16	4	25	KH-24-468-20-S	Washer, plain	1
13	KH-47-237-02	Clamp, dual conduit	1	26	KH-24-089-25-S	Spring, governor	1
				27	KH-24-089-55-S	Spring, governor	1

TWIN-CYLINDER ENGINE — FUEL SYSTEM



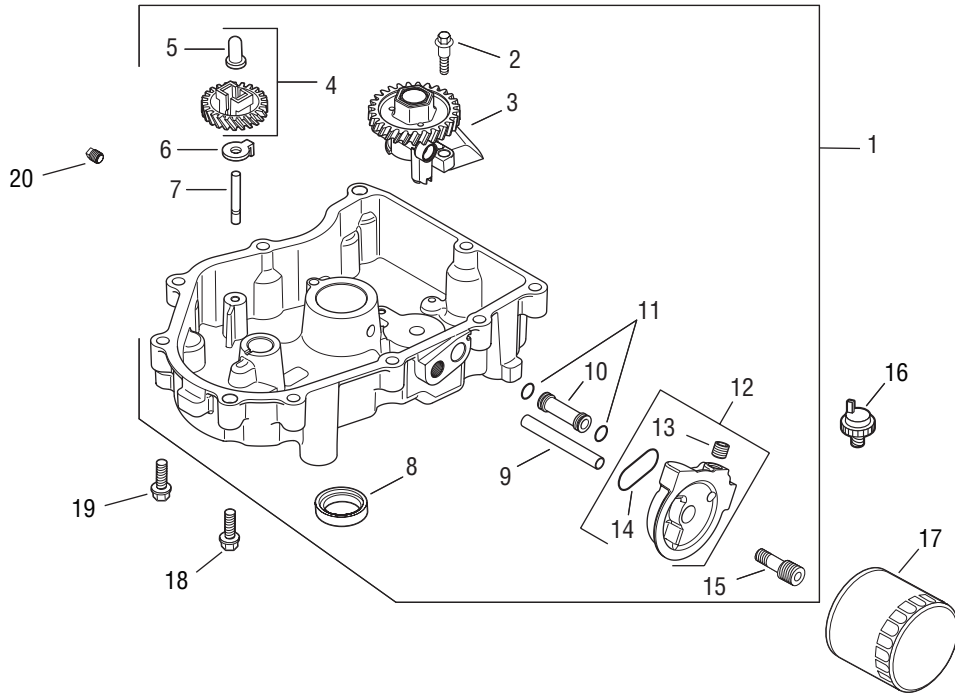
REF. NO.	PART NUMBER	DESCRIPTION	QTY.
1	KH-32-853-04-S	Kit, carburetor w/gaskets (Includes 2,3)	1
2	KH-24-041-52-S	Gasket, carburetor	1
3	KH-24-041-14	Gasket, air cleaner base	1
4	KH-M-629105-S	Stud, carburetor	2
5	KH-M-641060-S	Nut, hex. flange M6x1.0	2
6	KH-25-237-14-S	Clamp, hose	4
7	KH-25-111-34-S	Line, fuel (Fuel line comes in lengths of 24" - Cut to needed length for carburetor connections.)	2
8	KH-24-100-01	Nut, plastic	2
9	KH-25-237-01-S	Clamp, hose	1
10	KH-32-326-02-S	Hose, fuel pump	1
11	KH-24-086-12	Screw, hex. cap M6x1.7x18	2
12	KH-24-393-16	Pump, pulse fuel	1
13	KH-25-050-22-S	Filter, fuel	1
14	KH-47-154-01-S	Clip, cable	1
NOT ILLUSTRATED			
	KH-24-757-36-S	Kit, service choke repair	1
	KH-24-757-38-S	Kit, service gasket repair	1
	KH-24-757-44-S	Kit, float w/gaskets	1
	KH-24-757-45-S	Kit, solenoid valve w/gaskets	1
	KH-24-757-46-S	Kit, overhaul w/gaskets	1

TWIN-CYLINDER ENGINE — IGNITION/ELECTRICAL



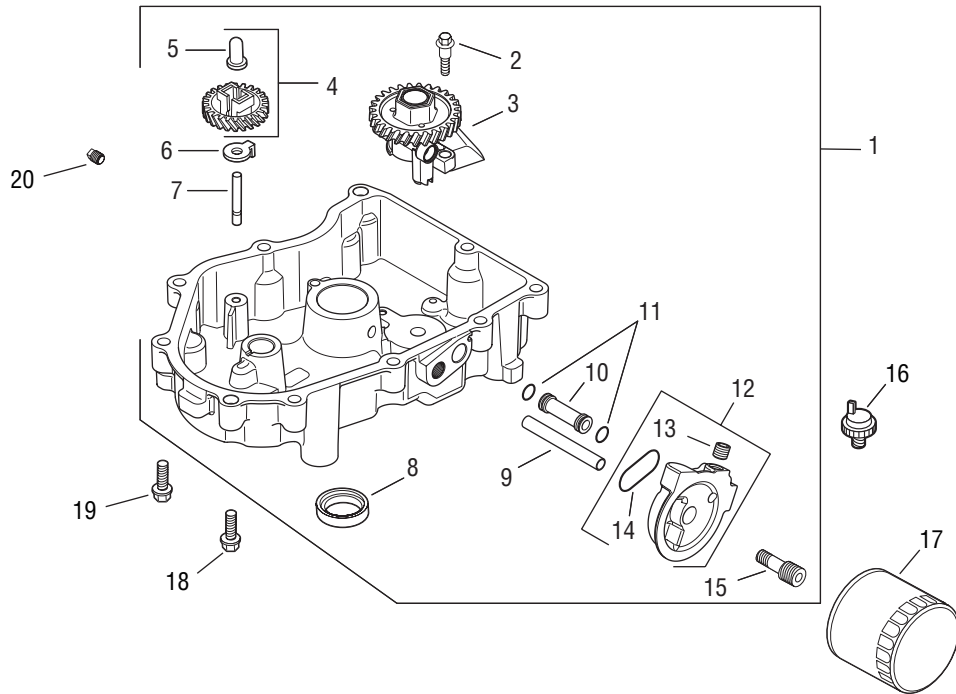
REF. NO.	PART NUMBER	DESCRIPTION	QTY.
1	KH-32-162-03-S	Screen, grass	1
2	KH-12-086-14	Screw, hex. flange M10x1.5x45	1
3	KH-12-468-03	Washer, plain 3/8"	1
4	KH-20-146-02-S	Plate, fan mounting	1
5	KH-32-157-01-S	Fan	1
6	KH-32-025-05-S	Flywheel	1
7	KH-X-42-15	Key	1
8	KH-236602-S	Connector (3 contact)	1
9	KH-M-551016-S	Screw, heavy hex. flange M5x0.8x16	2
10	KH-41-403-09	Rectifier-regulator	1
11	TBD	Kit, 15 amp stator	1
12	KH-235173	Clip, cable	1
13	KH-M-548025-S	Screw, hex. head thread forming	2
14	759-3336	Spark plug	2
15	KH-24-584-36-S	Module, ignition	2
16	KH-M-545020-S	Screw, hex. flange thread forming	4

TWIN-CYLINDER ENGINE — OIL PAN/LUBRICATION



REF. NO.	PART NUMBER	DESCRIPTION	QTY.
1	KH-32-199-02-S	Pan assembly, oil (Includes 2-15)	1
2	KH-32-086-01-S	Screw, hex. flange thread forming shoulder	2
3	KH-32-393-08-S	Oil pump assembly	1
4	KH-24-043-12	Kit, governor gear w/pin (Includes 5)	1
5	KH-12-380-01	Pin, governor regulating	1
6	KH-24-448-02-S	Tab, locking	1
7	KH-12-144-02	Shaft, governor gear	1
8	KH-52-032-08-S	Seal, oil (PTO end)	1
9	KH-32-123-01-S	Tube, oil feed - filter to oil pan	1
10	KH-32-123-03-S	Tube, oil feed - oil pan to filter	1
11	KH-24-153-01	O-Ring	2
12	KH-32-029-10-S	Adapter, oil filter (Includes 13,14)	1
13	KH-25-139-60-S	Plug, hex. ctsk. 1/8"	1
14	KH-32-153-02-S	O-Ring, oil filter adapter	1
15	KH-32-136-03-S	Nipple, oil filter	1
16	KH-25-099-24-S	Switch, pressure	1
17	KH-52-050-02	Filter, oil	1
18	KH-24-086-17-S	Screw, hex. flange M8x1.25x45	1
19	KH-24-086-16-S	Screw, hex. flange M8x1.25x45	9
20	KH-25-139-57-S	Plug, sq. hd. solid 3/8"	1

TWIN-CYLINDER ENGINE — STARTING SYSTEM



REF. NO.	PART NUMBER	DESCRIPTION	QTY.
1	KH-M-839080	Screw, hex. flange M8x1.25x70	2
2	KH-32-098-01-S	Starter assembly (Includes 3-5)	1
3	KH-12-755-39-S	Kit, drive	1
4	KH-12-755-38-S	Kit, drive parts	1
5	KH-12-243-04-S	Commutator, end cap	1