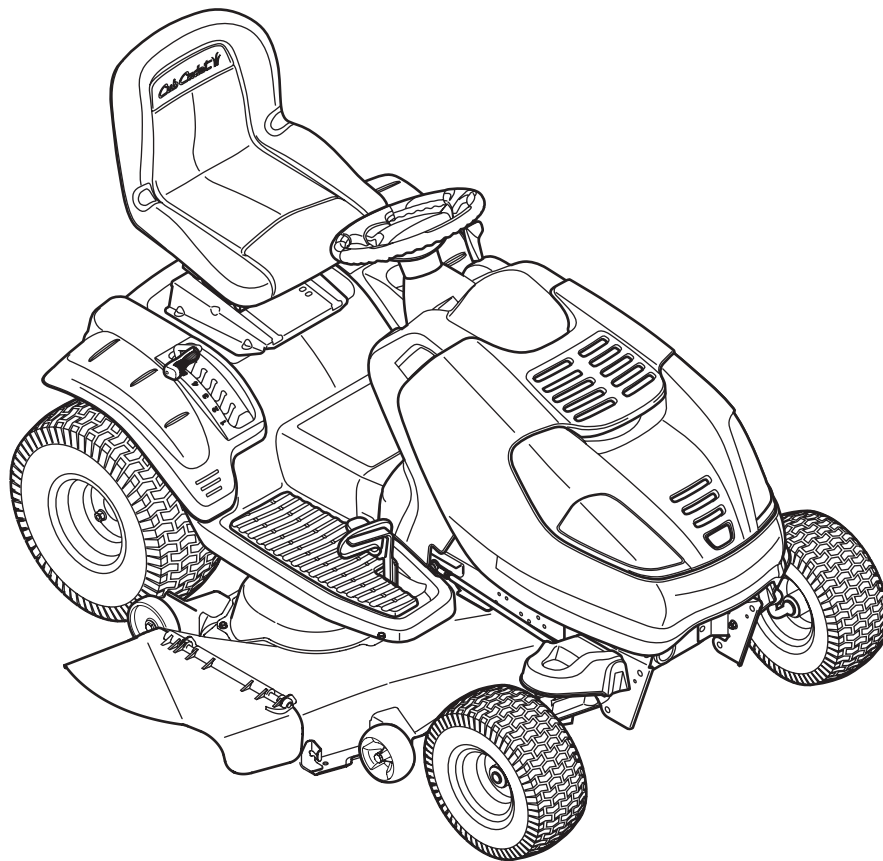


# *Cub Cadet*®

## **PARTS MANUAL**



**Zero Turn Riding Mower**

**Models**

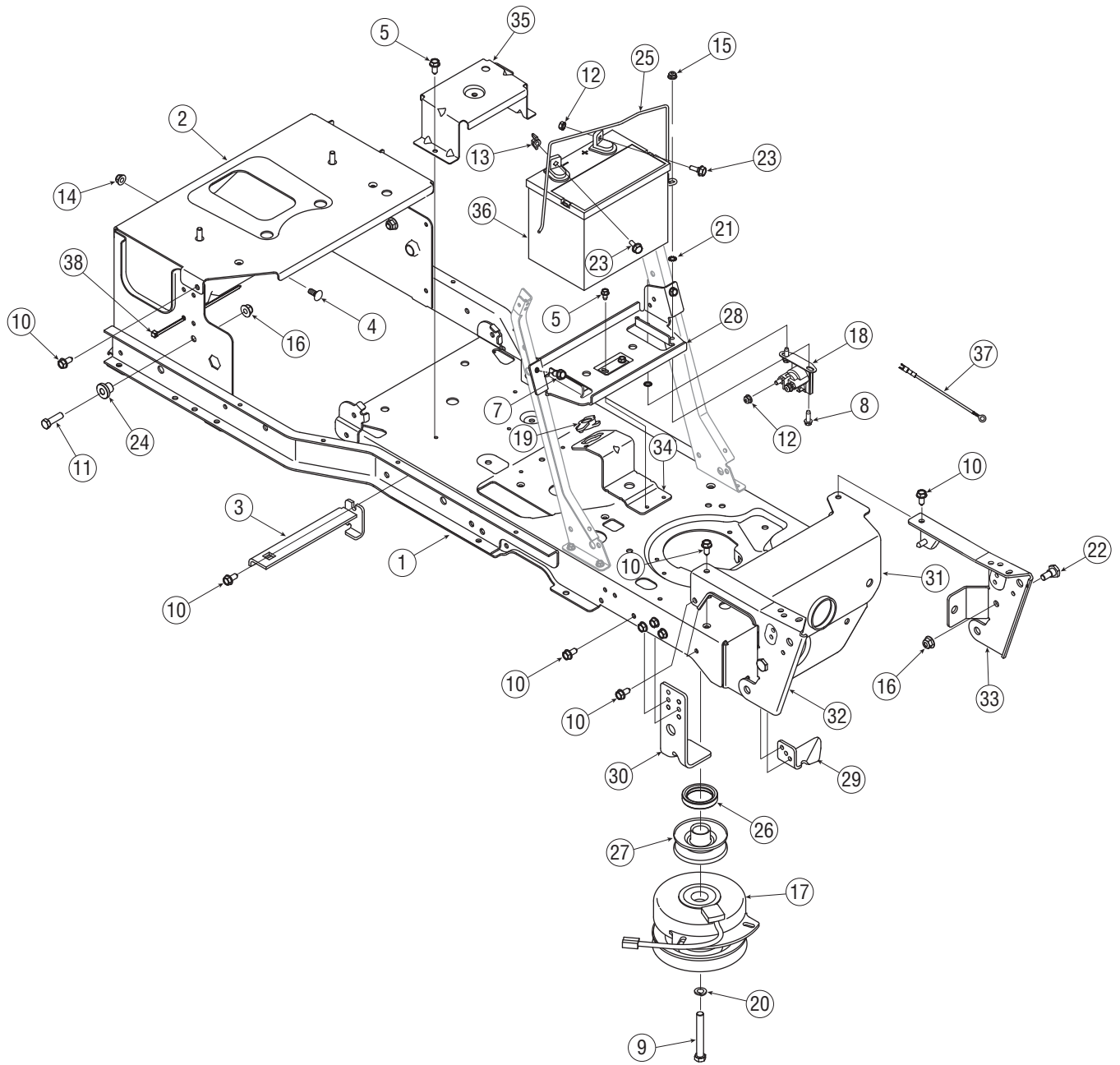
**i1046**

**i1050**

---

**CUB CADET LLC, P.O. BOX 361131 CLEVELAND, OHIO 44136-0019**

### Frame, PTO & Battery

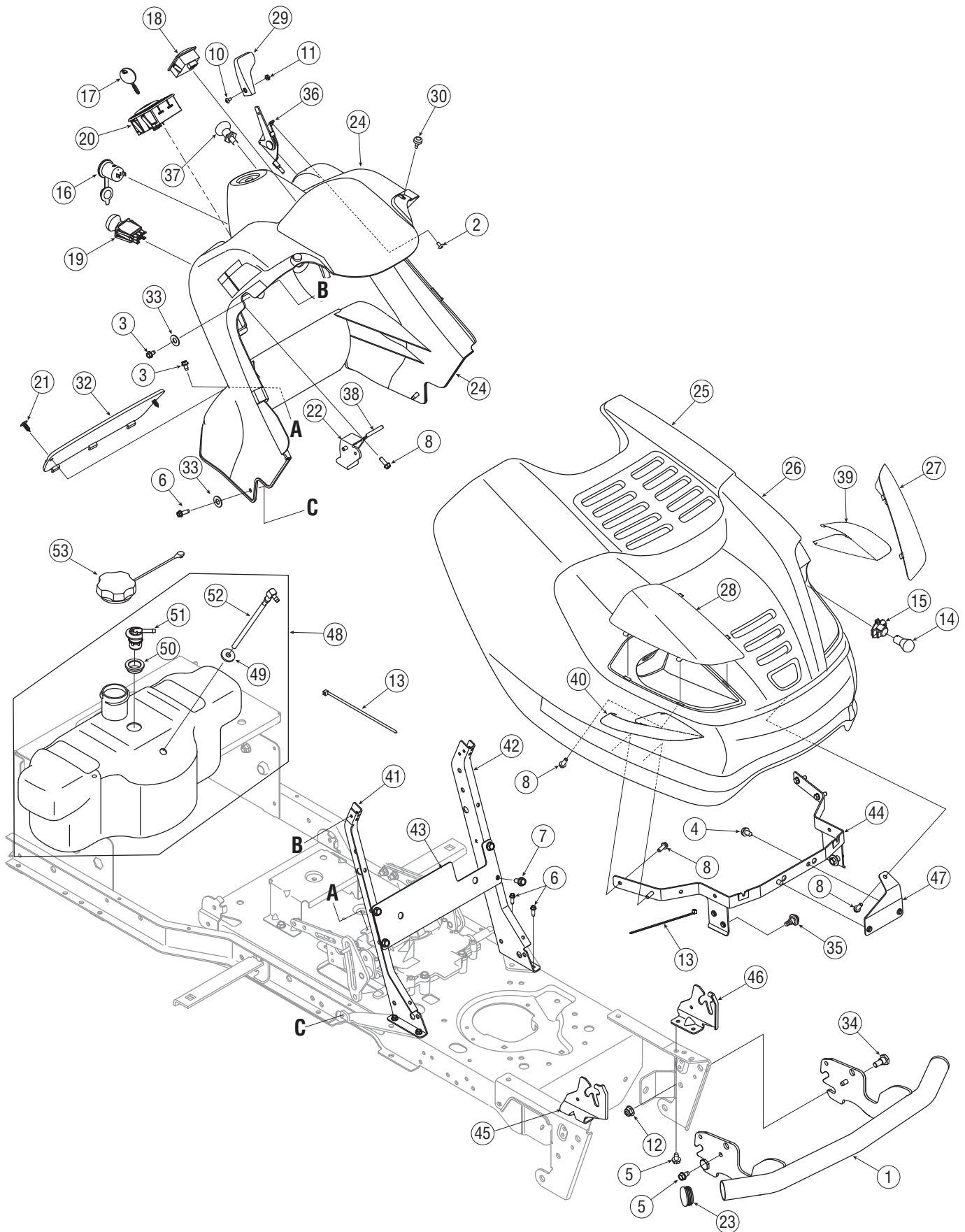


### Frame, PTO & Battery

| Ref. No. | Part No.   | Description                              |
|----------|------------|--|
| 1        | 683-04305A | Frame Assembly                           |
| 2        | 683-04333  | Frame Assembly, Seat                     |
| 3        | 683-04351  | Bracket, Running Board Support           |
| 4        | 710-0451   | Screw, Carriage, 5/16-18 x .75 Gr.1      |
| 5        | 710-0599   | Screw, Hex Wash. Hd. Tapp, 1/4-20 x .5   |
| 7        | 710-0726   | Screw, Hex Wash. Hd. Tapp, 5/16-12 x .75 |
| 8        | 710-0642   | Screw, Hex Wash. Hd. Tapp, 1/4-20 x .75  |
| 9        | 710-04379A | Screw, Hex Cap Lock, 7/16-20 x 3.5 Gr5   |
| 10       | 710-04484  | Screw, TT, 5/16-18 x .75                 |
| 11       | 710-3005   | Screw, Hex Cap, 3/8-16 x 1.25 Gr5        |
| 12       | 712-0271   | Nut, Hex Sems, 1/4-20                    |
| 13       | 712-3087   | Nut, Wing, 1/4-20                        |
| 14       | 712-04063  | Nut, Hex Flange Insert Lock, 5/16-18     |
| 15       | 712-04064  | Nut, Hex Flange Insert Lock, 1/4-20 GrF  |
| 16       | 712-04065  | Nut, Hex Flange Insert Lock, 3/8-16 GrF  |
| 17       | 717-04174A | Clutch, Electric PTO                     |
| 18       | 725-04439  | Solenoid, Start                          |
| 19       | 731-05659  | Bushing, Steering Shaft                  |
| 20       | 736-0171   | Washer, Lock, 7/16                       |

| Ref. No. | Part No.   | Description                        |
|----------|------------|------------------------------------|
| 21       | 736-0222   | Washer, External Lock, 1/4         |
| 22       | 738-0143   | Bolt, Shoulder, .496 x .336:3/8-16 |
| 23       | 738-1132   | Screw, Shoulder, .25 x .15:1/4-20  |
| 24       | 738-04058  | Screw, Shoulder, .38 x 1.0 x .7    |
| 25       | 747-04215  | Strap, Battery                     |
| 26       | 750-04763  | Spacer, 1.37 x 1.00 x .25          |
| 27       | 756-0978B  | Pulley, Engine                     |
| 28       | 783-1447C  | Bracket, Battery Support           |
| 29       | 783-04419B | Bracket, Clutch                    |
| 30       | 783-04467  | Bracket, Deck Up Stop              |
| 31       | 783-04806  | Bracket, Pivot Bar                 |
| 32       | 783-04844  | Bracket, Pivot Support RH          |
| 33       | 783-04845  | Bracket, Pivot Support LH          |
| 34       | 783-04868  | Bracket, Steering Support          |
| 35       | 783-04910A | Bracket, Support Fender            |
| 36       | 925-1707D  | Battery - Dry                      |
| 37       | 725-04513  | Wire, Ground Jumper                |
| 38       | 725-0157   | Cable Tie                          |
|          | 725-04375A | Harness, Main Wire                 |

### Hood, Dash Panel & Fuel Tank



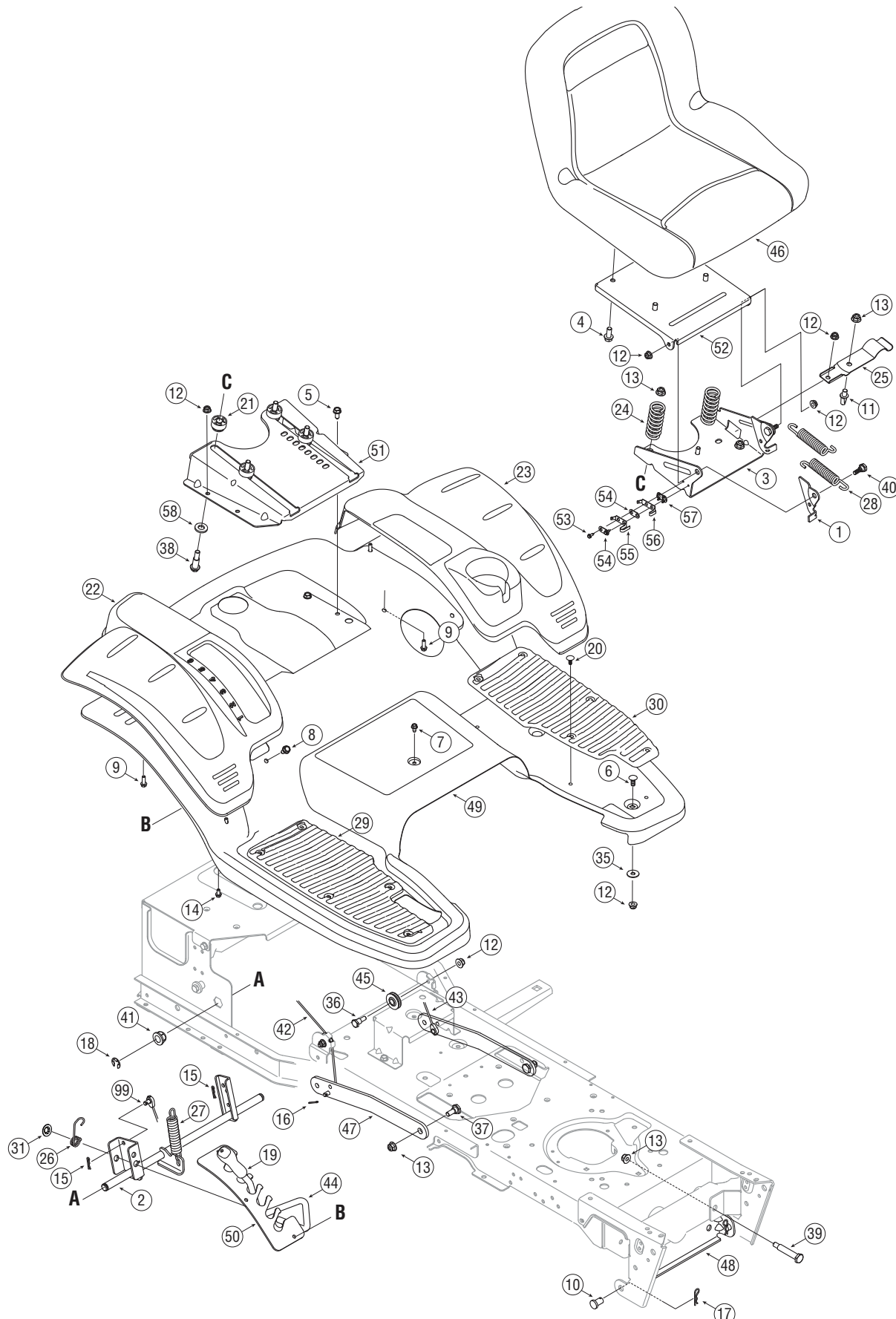


## Hood, Dash Panel &amp; Fuel Tank

| Ref. No. | Part No.   | Description                              |
|----------|------------|--|
| 1        | 683-04219A | Bumper Assembly                          |
| 2        | 710-0192   | Screw, Truss Hd. Mach., 10-24 x .375     |
| 3        | 710-0599   | Screw, Hex Wash Hd. Tapp, 1/4-20 x .5    |
| 4        | 710-0604A  | Screw, Hex Wash Hd. Tapp, 5/16-18 x .625 |
| 5        | 710-0607   | Screw, Hex Wash Hd. Tapp, 5/16-18 x .5   |
| 6        | 710-0642   | Screw, Hex Wash Hd. Tapp, 1/4-20 x .75   |
| 7        | 710-0726   | Screw, Hex Wash Hd. Tapp, 5/16-12 x .75  |
| 8        | 710-0895   | Screw, Hex Wash Hd. Tapp, 1/4-15 x .75   |
| 10       | 710-3217   | Screw, Truss Hd. Mach., #8-32 x .375     |
| 11       | 712-0142   | Nut, Hex, 8-32                           |
| 12       | 712-04065  | Nut, Hex Flange Insert Lock, 3/8-16 GrF  |
| 13       | 725-0157   | Tie, Cable                               |
| 14       | 725-0963   | Bulb, 12V Light                          |
| 15       | 725-1649   | Receptacle, Light                        |
| 16       | 725-2003   | Receptacle, 12V Power                    |
| 17       | 725-2054   | Key, Ignition Switch                     |
| 18       | 725-04022B | Meter, Indicator/Service Monitor         |
| 19       | 725-04258  | Switch, PTO                              |
| 20       | 725-04227B | Switch, Ignition/Module                  |
| 21       | 726-3046   | Clip, Ratchet                            |
| 22       | 731-04213  | Lever, Dash Brake                        |
| 23       | 731-05368  | Cap, Bumper                              |
| 24       | 731-05406  | Panel, Dash                              |
| 25       | 731-05434  | Hood                                     |
| 26       | 731-05435  | Plenum, Hood                             |
| 27       | 731-05525  | Lense, Head Light LH                     |

| Ref. No. | Part No.   | Description                          |
|----------|------------|--------------------------------------|
| 28       | 731-05526  | Lense, Head Light RH                 |
| 29       | 731-3161A  | Knob, Throttle Control               |
| 30       | 735-0271A  | Bumper                               |
| 32       | 735-04076  | Net, Storage                         |
| 33       | 736-0463   | Washer, Flat, .25 x .63 x .0515      |
| 34       | 738-0143   | Bolt, Shoulder, .496 x .336:3/8-16   |
| 35       | 738-04091  | Screw, Shoulder, .43 x .29:TT5/16-18 |
| 36       | 746-1100   | Cable, Throttle Control              |
| 37       | 746-04120  | Cable, Choke Control                 |
| 38       | 747-1155   | Rod, Brake Lock Pivot                |
| 39       | 777X42426  | Label, Reflector                     |
| 40       | 777X42427  | Label, Reflector                     |
| 41       | 783-04285E | Support, Dash, R.H.                  |
| 42       | 783-04323D | Support, Dash, L.H.                  |
| 43       | 783-04506C | Plate, Dash Support                  |
| 44       | 783-04606B | Bracket, Hood Pivot                  |
| 45       | 783-04840  | Bracket, Hood Pivot RH               |
| 46       | 783-04841  | Bracket, Hood Pivot LH               |
| 47       | 783-05162  | Bracket, Hood Support                |
| 48       | 651-04174  | Tank Assembly, Fuel                  |
| 49       | 735-0149   | Bushing, Fuel Tank                   |
| 50       | 735-04081  | Grommet, Rubber                      |
| 51       | 751-10441  | Valve, Rollover                      |
| 52       | 751-10442  | Fitting, Fuel Pick Up                |
| 53       | 751-10447  | Cap, Fuel Tank                       |

### Seat, Fender & Deck Lift

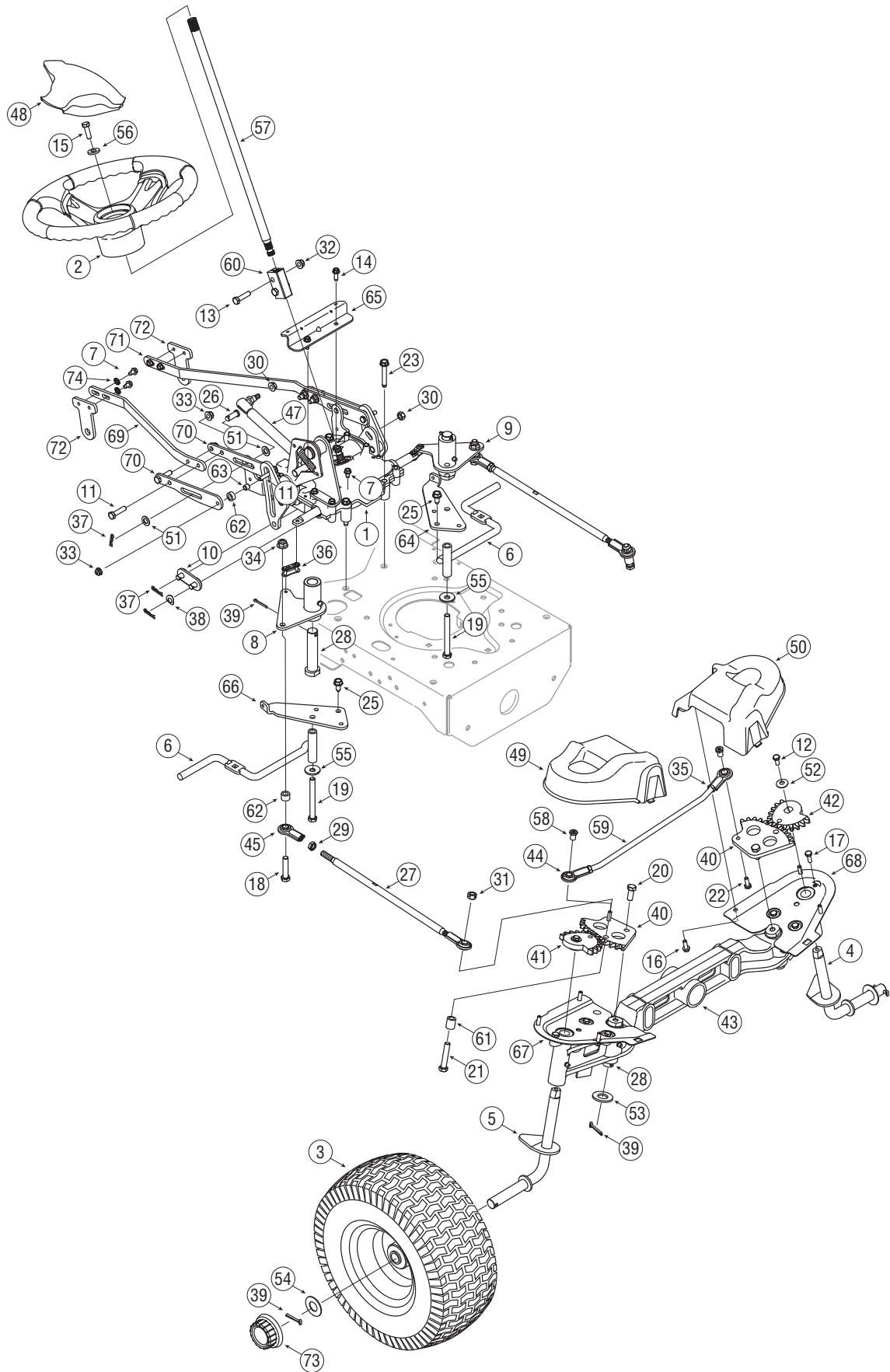


### Seat, Fender & Deck Lift

| Ref. No. | Part No.   | Description                              |
|----------|------------|--|
| 1        | 783-05515  | Bracket, RH Seat Lift                    |
| 2        | 647-04095A | Shaft, Lift                              |
| 3        | 683-04313A | Seat Slide                               |
| 4        | 710-04482  | Screw, Hex Flange, 3/8-16 x .875 Gr5     |
| 5        | 710-04484  | Screw, TT 5/16-18 x .75                  |
| 6        | 710-0451   | Screw, Carriage, 5/16-18 x 75            |
| 7        | 710-0599   | Screw, Hex Wash Hd. Tapp, 1/4-20 x .5    |
| 8        | 710-0726   | Screw, Hex Wash Hd. Tapp, 5/16-12 x .75  |
| 9        | 710-0895   | Screw, Hex Wash Hd. Tapp, 1/4-15 x .75   |
| 10       | 711-0332   | Pin, Clevis, .5 x .78                    |
| 11       | 711-04626  | Pin, Seat Index                          |
| 12       | 712-04063  | Nut, Hex Flange Insert Lock, 5/16-18 GrF |
| 13       | 712-04065  | Nut, Hex Flange Insert Lock, 3/8-16 GrF  |
| 14       | 710-04187  | Screw, Hex Wash Hd. H/L, 1/4-15 x .5     |
| 15       | 714-0104   | Pin, Internal Cotter                     |
| 16       | 714-0111   | Pin, Cotter, 3/32 x 1.0                  |
| 17       | 714-04023  | Pin, Internal Cotter                     |
| 18       | 716-0106A  | E-ring, .625 Shaft                       |
| 19       | 720-0311   | Grip, Handle                             |
| 20       | 726-3046   | Clip, Ratchet                            |
| 21       | 731-04074  | Spacer, Seat Adjustment                  |
| 22       | 731-05477  | Cover, Rear Fender RH                    |
| 23       | 731-05518  | Cover, Rear Fender LH                    |
| 24       | 732-04035  | Spring, Compression                      |
| 25       | 732-04386  | Spring, Seat Adjust                      |
| 26       | 732-04459  | Spring, Lift Torsion                     |
| 27       | 732-0826A  | Spring, Extension, .865 x 4.68           |
| 28       | 732-1184   | Spring, Extension, .84 x 4.6             |

| Ref. No. | Part No.   | Description                          |
|----------|------------|--------------------------------------|
| 29       | 735-04078  | Pad, Foot RH                         |
| 30       | 735-04079  | Pad, Foot LH                         |
| 31       | 726-0221   | Nut, Speed, .5                       |
| 32       | 736-0272   | Washer, Flat, .51 x 1.0 x .06        |
| 34       | 736-0192   | Washer, Flat, .535 x .93 x .09       |
| 35       | 736-3078   | Washer, Flat, .344 x 1.0 x .063 HT   |
| 36       | 738-0138A  | Bolt, Shoulder, .496 x 2.5:3/8-16    |
| 37       | 738-0380   | Bolt, Shoulder, .5 x .27:3/8-16      |
| 38       | 738-0966A  | Bolt, Shoulder, .5 x .925:3/8-16     |
| 39       | 738-1011A  | Bolt, Shoulder, .5 x 2.23:3/8-16     |
| 40       | 738-0296   | Bolt, Shoulder, .447 x .268:5/16-18  |
| 41       | 741-0225   | Bearing, Hex Flange,                 |
| 42       | 746-04369  | Cable, Lift, 16.16 Lg                |
| 43       | 746-0968   | Cable, Lift, 16.16 Lg                |
| 44       | 747-04701  | Handle, Lift                         |
| 45       | 756-1154   | Pulley, Roller                       |
| 46       | 757-04053  | Seat, High Back                      |
| 47       | 783-05546  | Link, Deck Lift                      |
| 48       | 783-0720C  | Bracket, Front Deck Adjust           |
| 49       | 783-04901  | Fender, Rear                         |
| 50       | 783-04977A | Plate, Deck Lift                     |
| 51       | 783-05307  | Pedesta, Seat                        |
| 52       | 783-05272A | Plate, Seat Pivot                    |
| 53       | 710-0227   | Screw, Hex Wash Hd. Tapp, #8-18 x .5 |
| 54       | 726-0279   | Plate, Insulator                     |
| 55       | 725-1303   | Switch, Outer Seat Spring            |
| 56       | 725-1439   | Switch, Inner Seat Spring            |
| 57       | 726-0278   | Plate, Insulator Boss                |
| 58       | 736-0326   | Washer, Flat, .510 x 1 x .125        |

### Steering Controls & Front Axle

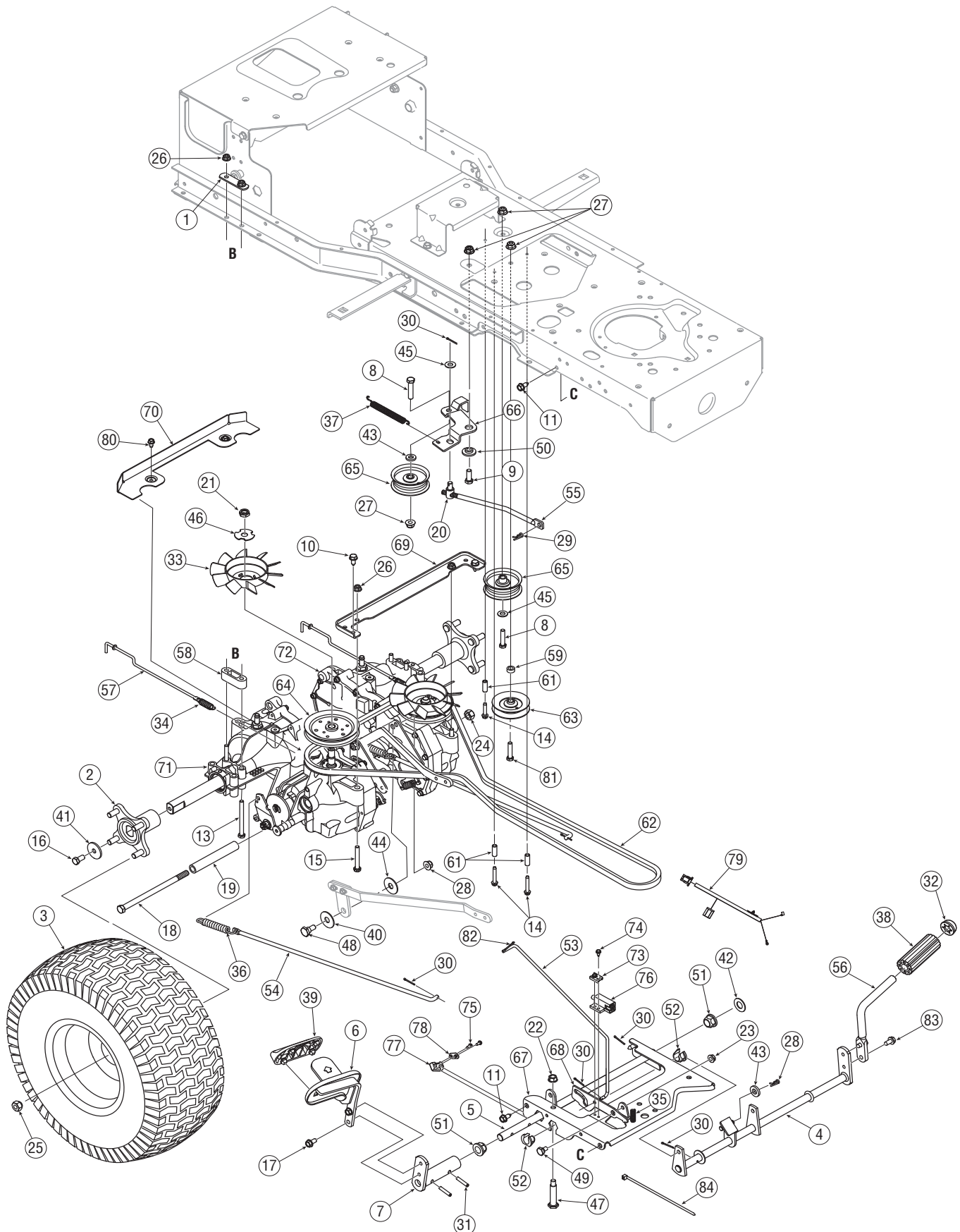


## Steering Controls &amp; Front Axle

| Ref. No. | Part No.   | Description  |
|----------|--|--|
| 1        | 618-04430  | Steering Assembly, Steering/Hydro  |
| 2        | 631-04008A   | Wheel Assembly, Steering   |
| 3        | N/A<br>734-1731<br>737-0224<br>941-04137<br>934-0255<br>634-04104A | Wheel Assembly<br>Tire, 15 x 6 x 6<br>Grease Fitting<br>Bearing, Ball<br>Valve, Tubeless Air<br>Rim Assembly |
| 4        | 647-04062  | Axle Assembly, LH  |
| 5        | 647-04063  | Axle Assembly, RH  |
| 6        | 647-04080A   | Rod, Fender Support  |
| 7        | 710-0599   | Screw, Hex Wash Hd. Tapp, 1/4-20 x .5  |
| 8        | 683-04282A   | Arm, Steering, RH  |
| 9        | 683-04284A   | Arm, Steering, LH  |
| 10       | 683-04332  | Link, Steering Box/Hydro   |
| 11       | 710-0597   | Screw, Hex Cap, 1/4-20 x 1.0 Gr5   |
| 12       | 710-0195   | Screw, Hex Cap, 1/4-28 x .625 Gr5  |
| 13       | 710-0528   | Screw, Hex Cap, 5/16-18 x 1.25 Gr5   |
| 14       | 710-0642   | Screw, Hex Wash Hd. Tapp, 1/4-20 x .75   |
| 15       | 710-0650   | Screw, Hex Wash Hd. Tapp, 5/16-18 x .875   |
| 16       | 710-04187  | Screw, Hex Wash Hd. Hi/Lo, 1/4-15 x .5   |
| 17       | 710-3015   | Screw, Hex Cap, 1/4-20 x .75 Gr5   |
| 18       | 710-0520   | Screw, Hex Cap, 3/8-16 x 1.5 Gr5   |
| 19       | 710-3085   | Screw, Hex Cap, 3/8-16 x 3.5 Gr5   |
| 20       | 710-3119   | Screw, Hex Cap Lock, 3/8-16 x .75 Gr5  |
| 21       | 710-3144   | Screw, Hex Cap, 3/8-16 x 2.0 Gr5   |
| 22       | 710-3296   | Screw, Hex Cap Lock, 1/4-20 x .75 Gr5  |
| 23       | 710-04006  | Screw, Hex Wash Hd. Tapp, 5/16-18 x 2.0  |
| 24       | 710-04389  | Screw, Hex Wash Hd. Tapp, 5/16-18 x 2.25   |
| 25       | 710-04484  | Screw, TT, 5/16-18 x .75   |
| 26       | 711-04722  | Pin, Clevis, .375 x .969 HT  |
| 27       | 711-04472  | Link, Drag   |
| 28       | 711-04562  | Shaft, Steering Pivot Gear   |
| 29       | 712-0312A  | Nut, Jam, 3/8-24 LH Thrd   |
| 30       | 712-0365   | Nut, Hex Lock, M8 x 1.25 Gr9   |
| 31       | 712-0375   | Nut, Hex Lock, 3/8-16  |
| 32       | 712-04063  | Nut, Hex Insert Flange Lock, 5/16-18 GrF   |
| 33       | 712-04064  | Nut, Hex Insert Flange Lock, 1/4-20 GrF  |
| 34       | 712-04065  | Nut, Hex Insert Flange Lock, 3/16-16 GrF   |
| 35       | 712-3001   | Nut, Hex Jam, 3/8-24 Gr2   |

| Ref. No. | Part No.   | Description                        |
|----------|------------|------------------------------------|
| 36       | 713-04037  | Link, Connecting                   |
| 37       | 714-0104   | Pin, Internal Cotter               |
| 38       | 736-0286   | Washer, Sping, .39 x .75 x .010    |
| 39       | 714-04039  | Pin, Cotter, 5/32 x 1.25           |
| 40       | 717-04274  | Gear, Spur, 12T                    |
| 41       | 717-04275  | Gear, Spur, RH 13T                 |
| 42       | 717-04282  | Gear, Spur, LH 13T                 |
| 43       | 719-04170A | Axle, Pivot Bar                    |
| 44       | 723-04035  | End, Ball Joint Rod                |
| 45       | 723-04036  | End, Ball Joint Rod, LH Thrd.      |
| 46       | 737-3000   | Fitting, Grease                    |
| 47       | 727-0626A  | Cylinder, Damper                   |
| 48       | 731-04532A | Cover, Steering Wheel              |
| 49       | 731-05476  | Cover, Steering Gear, RH           |
| 50       | 731-05618  | Cover, Steering Gear, LH           |
| 51       | 736-0185   | Washer, Flat, .375 x .738.063      |
| 52       | 736-0270   | Washer, Bell, .265 x .75 x .062    |
| 53       | 736-0315   | Washer, Flat, .76 x 1.5 x .12      |
| 54       | 736-0866   | Washer, Flat, .755 x 1.92 x .060   |
| 55       | 736-0452   | Washer, Bell, .396 x 1.14 x .095   |
| 56       | 736-3004   | Washer, Flat, .406 x .875 x .105   |
| 57       | 738-04189  | Shaft, Steering, .625 x 17.281     |
| 58       | 738-04240  | Nut, Shoulder, .375 x .5           |
| 59       | 747-04496  | Rod, 3/8-24 x 14.4 Lg              |
| 60       | 748-04139  | Block, Steering Shaft              |
| 61       | 750-04676  | Spacer, .385 x .63 x .75           |
| 62       | 750-04776  | Spacer, .380 x .625 x .265         |
| 63       | 750-04777  | Spacer, .26 x .372 x .33           |
| 64       | 783-04798  | Bracket, Steering Support, LH      |
| 65       | 783-04799  | Bracket, Steering Support, Upper   |
| 66       | 783-05140  | Bracket, Steering Support, RH      |
| 67       | 783-05184  | Plate, Base Cover, RH              |
| 68       | 783-05185  | Plate, Base Cover, LH              |
| 69       | 783-05380  | Link, Steering/Hydro RH            |
| 70       | 783-05381  | Bracket, Hydro/Steering Adjustment |
| 71       | 783-05404  | Link, Steering/Hydro LH            |
| 72       | 783-05446  | Bracket, Steering Link             |
| 73       | 731-3020   | Hub Cap                            |
| 74       | 736-0222   | Washer, Lock                       |

### Transmission Drive & Controls





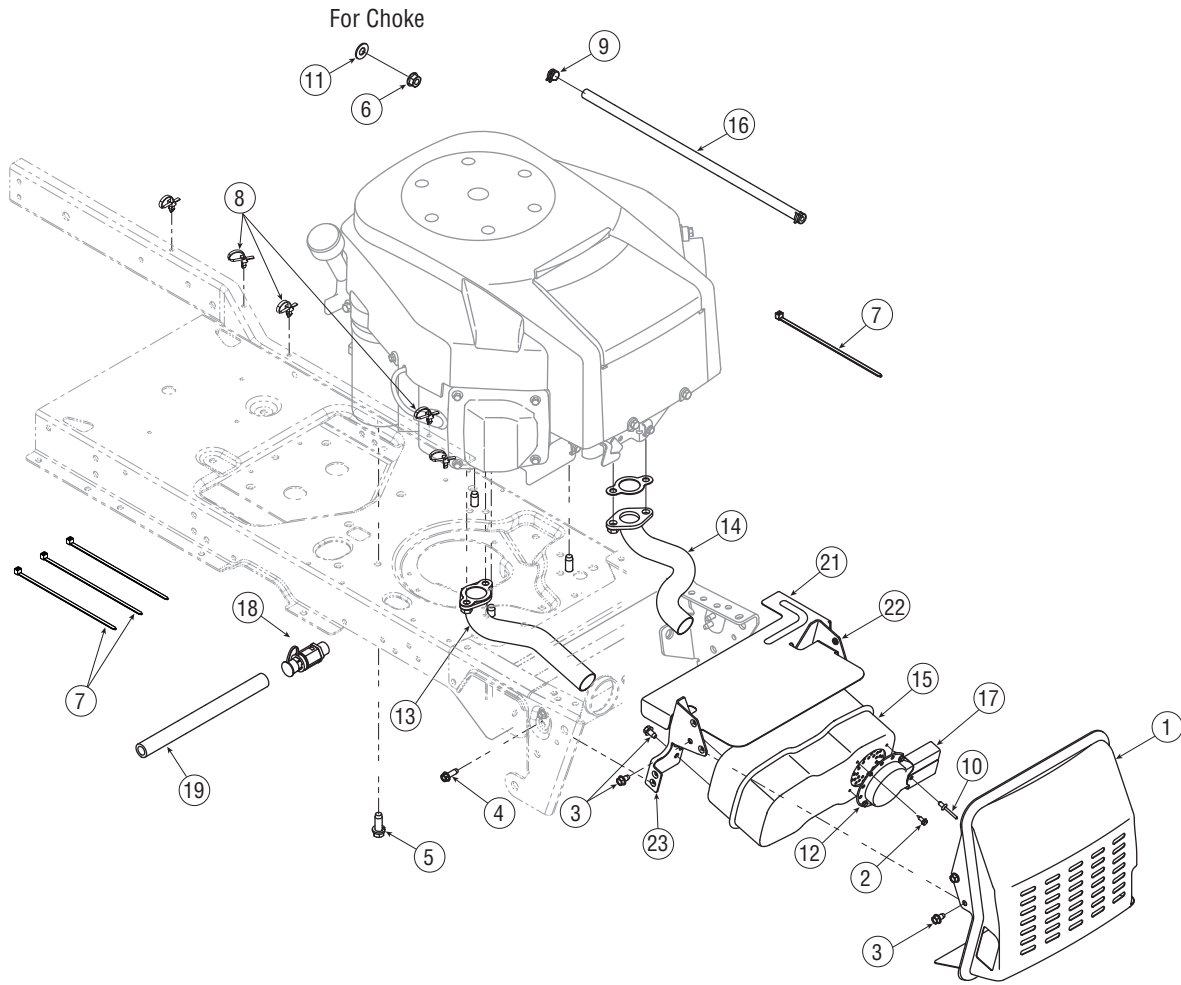
## Transmission Drive &amp; Controls

| Ref. No. | Part No.                                 | Description   |
|----------|--|---|
| 1        | 17840                                    | Bracket, Transmission Mounting  |
| 2        | 618-04317                                | Hub, Wheel  |
| 3        | N/A<br>734-1730<br>934-0255<br>634-0246A | Wheel Assembly<br>Tire, 20 x 8 x 8<br>Valve, Tubeless Air<br>Rim Assembly, Rear |
| 4        | 647-04061                                | Shaft Assembly, Brake Control   |
| 5        | 647-04094                                | Shaft Assembly, Hydro Control Pedal   |
| 6        | 683-0267C                                | Pedal Assembly, Hydro Control   |
| 7        | 683-04314A                               | Bracket, Pedal  |
| 9        | 710-0514                                 | Screw, Hex Cap, 3/8-16 x 1.0 Gr5  |
| 10       | 710-0607                                 | Screw, Hex Wash Hd. Tapp, 5/16-18 x .5  |
| 11       | 710-0726                                 | Screw, Hex Wash Hd. Tapp, 5/16-12 x .75   |
| 13       | 710-1266                                 | Screw, Hex Cap, 5/16-18 x 3.5 Gr5   |
| 14       | 710-1325                                 | Screw, Hex Wash Hd. Tapp, 1/4-20 x 1.625  |
| 15       | 710-3073                                 | Screw, Hex Cap, 5/16-18 x 2.25 Gr5  |
| 16       | 710-3119                                 | Screw, Hex Cap Lock, 3/8-16 x .75 Gr5   |
| 17       | 710-04484                                | Screw, Hex Wash Hd. Tapp, 5/16-18 x .75   |
| 18       | 710-04648                                | Screw, Hex Cap, 7/16-14 x 8.5 Gr5   |
| 19       | 711-04554                                | Spacer, .479 x .75 x 4.97   |
| 20       | 711-0832                                 | Ferrule, 3/8-24 x .375 Dia.   |
| 21       | 712-0346                                 | Nut, Hex Jam Insert Lock, 1/2-20 Gr5  |
| 22       | 712-0431                                 | Nut, Hex Flange Top Lock, 3/8-16 GrF  |
| 23       | 712-3004A                                | Nut, Hex Flange Lock, 5/16-18 Gr5   |
| 24       | 712-0290                                 | Nut, Hex Lock, 7/16-14 GrA  |
| 25       | 712-3050                                 | Nut, Lug, 7/16-14   |
| 26       | 712-04063                                | Nut, Hex Flange Insert Lock, 5/16-18 GrF  |
| 27       | 712-04065                                | Nut, Hex Flange Insert Lock, 3/8-16 GrF   |
| 28       | 712-0375                                 | Nut, Hex Lock, 3/8-16   |
| 29       | 714-0104                                 | Pin, Internal Cotter  |
| 30       | 714-0111                                 | Pin, Cotter, 3/32 x 1/0   |
| 31       | 715-0143                                 | Pin, Spirol, .25 x 1.25   |
| 32       | 726-0214                                 | Cap, Push, 5/8  |
| 33       | 731-05846                                | Fan, Hydro  |
| 34       | 732-0209                                 | Spring, Extension, .48 x 2.03   |
| 35       | 732-0335                                 | Spring, Compression, .405 x 1.17  |
| 36       | 732-0716C                                | Spring, Extension, .59 x 4.0  |
| 37       | 732-0814                                 | Spring, Extension, .56 x 5.52   |
| 38       | 735-0239                                 | Pad, Foot, 4.0 in. Lg   |
| 39       | 735-0662                                 | Pad, Hydro Control Pedal  |
| 40       | 736-3027                                 | Washer, Flat, .531 x 1.75 x .09   |
| 41       | 736-0227                                 | Washer, Flat, .39 x 1.5 x .134  |

| Ref. No. | Part No.   | Description                            |
|----------|------------|--|
| 42       | 736-0290   | Washer, Flat, .625 x 1.0 x .067 HT     |
| 43       | 736-3010   | Washer, Flat, .407 x .812 x .135 HT    |
| 44       | 736-3039   | Washer, Flat, .406 x 1.5 x .105        |
| 45       | 736-3050   | Washer, Flat, .406 x .812 x .051       |
| 46       | 736-04263  | Washer, Hydro Lock                     |
| 47       | 738-0129   | Bolt, Shoulder, 3/8-16: .5 x 2.0       |
| 48       | 738-0143   | Bolt, Shoulder, .496 x .336: 3/8-16    |
| 49       | 738-0155   | Bolt, Shoulder, .435 x .160 : 5/16-18  |
| 50       | 738-0347   | Spacer, Shoulder, .625 ID x .169       |
| 51       | 741-0225   | Bearing, Hex Flange                    |
| 52       | 741-3065B  | Bearing, Hex Flange, .625 ID Split     |
| 53       | 747-04562  | Rod, Park Brake                        |
| 54       | 747-04584A | Rod, Brake                             |
| 55       | 747-04598A | Rod, Drive Engage                      |
| 56       | 747-04629  | Bracket, Brake Pedal                   |
| 57       | 747-04649A | Rod, Hydro Dump                        |
| 58       | 748-04155  | Spacer, T-Axle                         |
| 59       | 750-04776  | Spacer, .38 x .625 x .265              |
| 61       | 750-04456  | Spacer, .26 x .372 x 1.42              |
| 62       | 754-04134  | V-Belt, 88.4                           |
| 63       | 756-04209  | Pulley, V Type Drive, 3.06             |
| 64       | 756-04274  | Pulley, V Type, 4.5                    |
| 65       | 756-0981B  | Pulley, Flat Idler, 2.75               |
| 66       | 783-04570A | Arm, Idler                             |
| 67       | 783-04881A | Bracket, Foot Pedal Support            |
| 68       | 783-04981  | Bracket, Park Brake                    |
| 69       | 783-05330A | Bracket, Support                       |
| 70       | 783-05473  | Bracket, Belt Keeper                   |
| 71       | 918-04339A | Transmission, Hydro RH                 |
| 72       | 918-04342A | Transmission, Hydro LH                 |
| 73       | 17962      | Plate, Switch                          |
| 74       | 710-0224   | Screw, Hex Wash Hd. Tapp, #10-16 x .5  |
| 75       | 710-0227   | Screw, Hex Wash Hd. Tapp, #8-18 x .5   |
| 76       | 725-04039  | Switch, Brake                          |
| 77       | 725-1644   | Switch, Reverse                        |
| 78       | 726-0320   | Plate, Insulator Nut                   |
| 79       | 725-04374  | Harness, Reverse Jumper                |
| 80       | 710-0599   | Screw, Hex Wash. Hd. Tapp, 1/4-20 x .5 |
| 81       | 710-3144   | Screw, Hex Head Cap, 3/8-16 x 2        |
| 82       | 714-04040  | Cotter Pin, Bow Tie                    |
| 83       | 710-1611B  | Screw, TT, 5/16-18 x .750              |
| 84       | 725-0157   | Cable Tie                              |



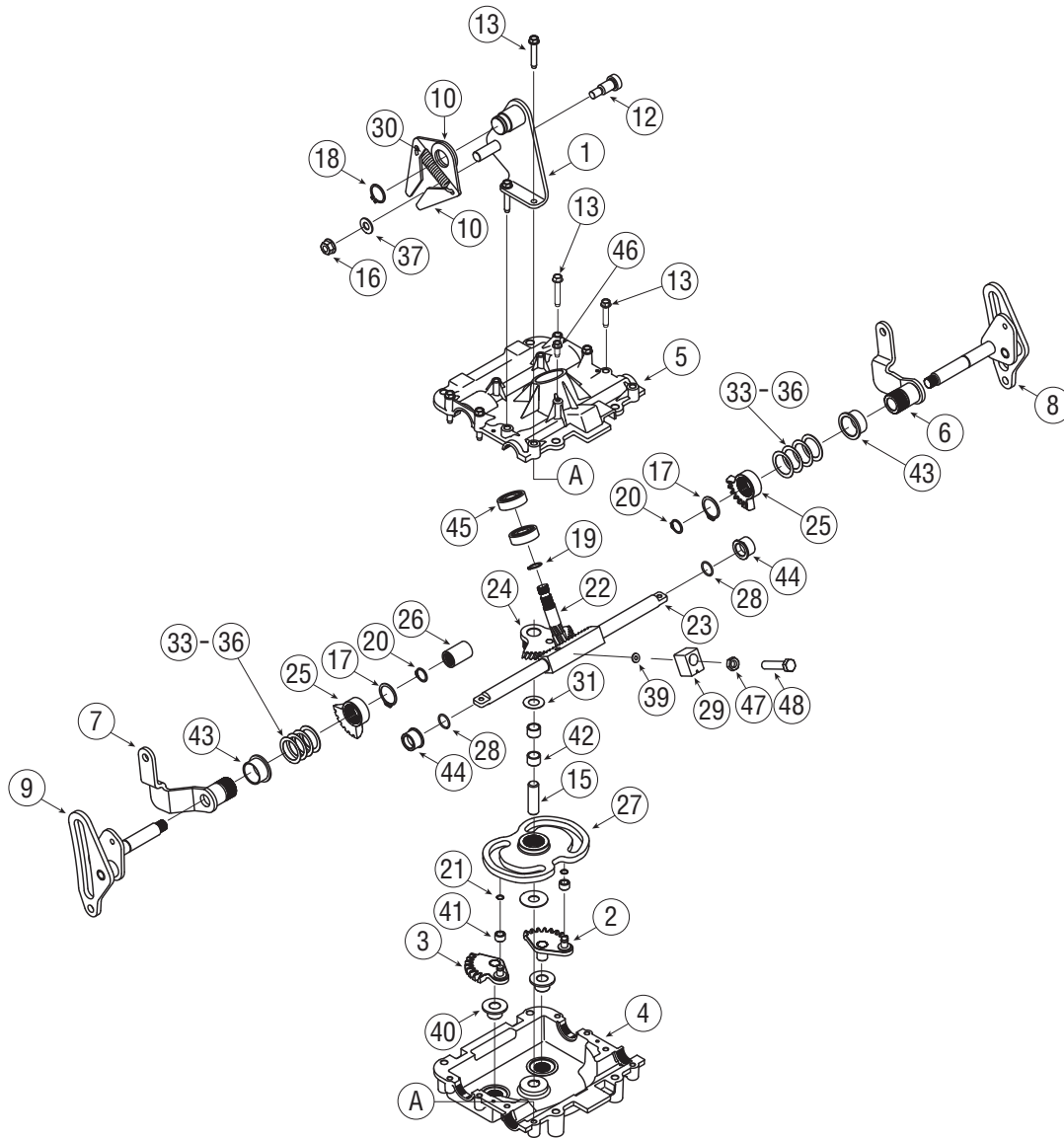
### Engine Mounting & Connections



### Engine Mounting & Connections

| Ref. No. | Part No.   | Description                            |
|----------|------------|--|
| 1        | 683-04256  | Shield, Muffler                        |
| 2        | 710-0227   | Screw, Hex Wash Hd. Tapp, #8-18 x .5   |
| 3        | 710-0599   | Screw, Hex Wash Hd. Tapp, 1/4-20 x .5  |
| 4        | 710-0642   | Screw, Hex Wash Hd. Tapp, 1/4-20 x .75 |
| 5        | 710-0654A  | Screw, Hex Sems Tapp, 3/8-16 x 1.0     |
| 6        | 712-3005   | Nut, Hex Flange Lock, 3/8-16 Gr5       |
| 7        | 725-0157   | Tie, Cable                             |
| 8        | 726-0154   | Tie, Push Mount Cable                  |
| 9        | 726-0205   | Clamp, Hose                            |
| 10       | 728-04000  | Rivet, Pop, .188 x .3                  |
| 11       | 736-0300   | Washer, Flat, .406 x .875 x .059       |
| 12       | 751-0564B  | Deflector, Muffler                     |
| 13       | 751-10006  | Pipe, Exhaust RH                       |
| 14       | 751-10007  | Pipe Exhaust LH                        |
| 15       | 751-10161  | Muffler, Dual Inlet                    |
| 16       | 751-10349  | Hose, Fuel ; Low Permeation, 51 inches |
| 17       | 751-10353  | Deflector, Muffler                     |
| 18       | 751-10517  | Oil Drain                              |
| 19       | 751-3141   | Hose, Oil Drain Extension              |
| 21       | 783-04783A | Shield, Heat                           |
| 22       | 783-04870  | Bracket, Muffler LH                    |
| 23       | 783-04872  | Bracket, Muffler RH                    |
|          | 737-3030A  | Oil, 10W30 Engine                      |

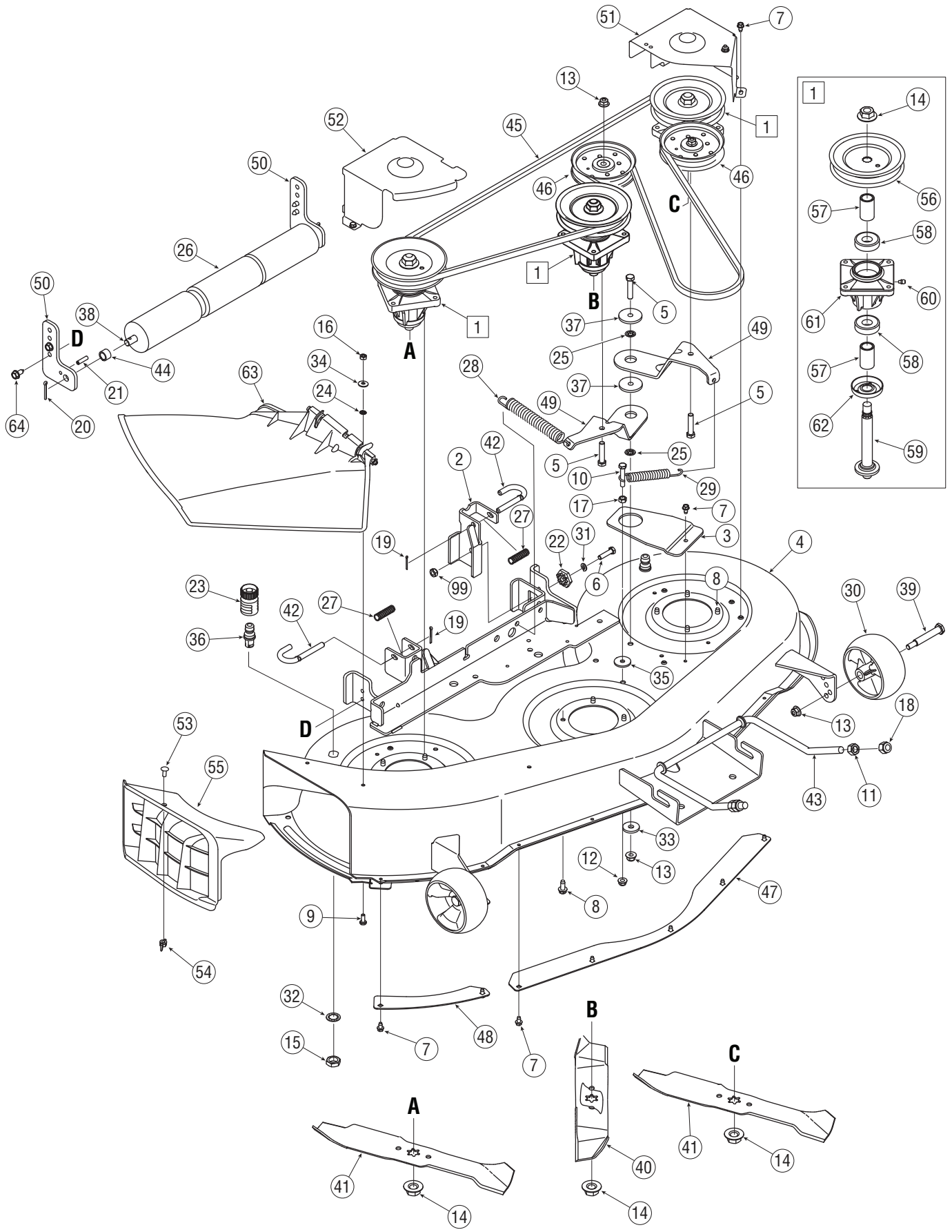
### Steering Gear Box



### Steering Gear Box

| Ref. No. | Part No.              | Description                               |
|----------|-----------------------|---|
| 1        | 607-04243             | Bracket, Steering Box Return              |
| 2        | 617-04036             | Gear, Bevel LH                            |
| 3        | 617-04037             | Gear, Bevel RH                            |
| 4        | 619-04153<br>737-0148 | Housing, Steering Lower<br>Grease, Darina |
| 5        | 619-04154A            | Housing, Steering Upper                   |
| 6        | 647-04083             | Arm, Hydro LH                             |
| 7        | 647-04084             | Arm, Hydro RH                             |
| 8        | 647-04085             | Cam, Hydro LH                             |
| 9        | 647-04086             | Cam, Hydro RH                             |
| 10       | 703-2441              | Arm, Neutral                              |
| 11       | 710-0599              | Screw, Hex Wash Hd. Tapp, 1/4-20 x .5     |
| 12       | 710-04040             | Screw, Shoulder, .497 x .75 : 3/8-16      |
| 13       | 710-0778              | Screw, Hex Wash Hd. Tapp, 1/4-20 x 1.5    |
| 14       | 710-0809              | Screw, Hex Wash Hd. Tapp, 1/4-20 x 1.25   |
| 15       | 711-04587A            | Shaft, Steering                           |
| 16       | 712-3005              | Nut, Hex Flange Lock, 3/8-16 Gr5          |
| 17       | 716-0102              | Ring, Snap, 1.0 Dia. Shaft                |
| 18       | 716-0111              | Ring, External Retaining, .875 Shaft      |
| 19       | 716-0114              | Ring, Retaining, .56 Dia. Shaft           |
| 20       | 716-0115              | Ring, Retaining, .56 Dia. Shaft           |
| 21       | 716-04066             | Ring, Retaining, .31125 Dia. Shaft        |
| 22       | 717-04318             | Gear, Pinion, 7T                          |
| 23       | 717-04319             | Gear, Synchro Rack                        |
| 24       | 717-04328             | Gear, Steering, 17T                       |
| 25       | 717-04330             | Gear, Steering, 26T                       |
| 26       | 718-04229             | Tube, Coupler                             |
| 27       | 718-04269             | Cam, Hydro Steering                       |
| 28       | 721-04186             | O-Ring, .625 x .07                        |
| 29       | 741-04257             | Bearing, Caster                           |
| 30       | 732-1162              | Spring, Extension, .56 x 2.31 x .105      |
| 31       | 736-0369              | Washer, Flat, .508 x 1.0 x .02            |
| 32       | 736-04237             | Washer, Flat, .508 x 1.32 x .04           |
| 33       | 736-04257             | Washer, Flat, 1.015 x 1.375 x .005        |
| 34       | 736-04258             | Washer, Flat, 1.015 x 1.375 x .010        |
| 35       | 736-04259             | Washer, Flat, 1.015 x 1.375 x .015        |
| 36       | 736-04260             | Washer, Flat, 1.015 x 1.375 x .030        |
| 37       | 736-0864              | Washer, Thrust, .375 x .812 x .06         |
| 39       | 736-3067              | Washer, Flat, 1.88 x .437 x .042          |
| 40       | 741-04203             | Bearing, Flange, .5 x .7                  |
| 41       | 741-04204             | Bearing, Sleeve, .437 x .3425             |
| 42       | 741-04206             | Bearing, Sleeve, .623 x .5025 x .25       |
| 43       | 741-04231             | Bearing, Sleeve, 1.2 x 1.0                |
| 44       | 741-04235             | Bearing, Flange, .625 x .875              |
| 45       | 741-0747              | Bearing, Ball, .5625 x 1.375 x .4375      |
| 46       | 710-0642              | Screw, TT: 1/4-20 x .750                  |
| 47       | 712-3001              | Jam Nut, 3/8-24                           |
| 48       | 710-1810              | Screw, HH Cap, 3/8-24 x 1.75              |

### 46" Mowing Deck

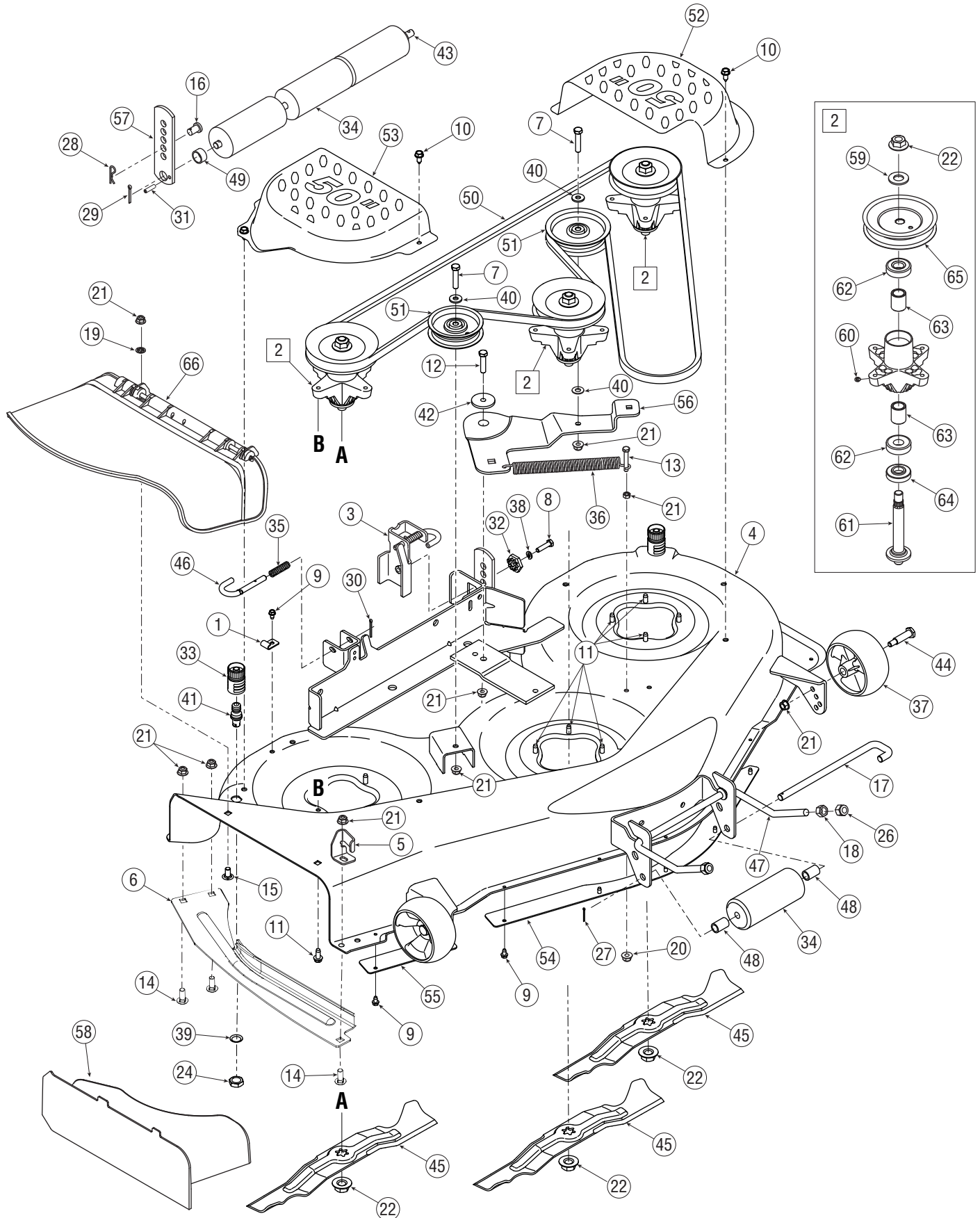


## 46" Mowing Deck

| Ref. No. | Part No.  | Description                              |
|----------|-----------|--|
| 1        | 918-0660  | Spindle Assembly                         |
| 2        | 683-0254B | Bracket, Deck Hanger, LH                 |
| 3        | 783-05463 | Bracket, Support                         |
| 4        | 683-04335 | Deck Assembly                            |
| 5        | 710-0347  | Screw, Hex Cap, 3/8-16 x 1.75 Gr5        |
| 6        | 710-0528  | Screw, Hex Cap, 5/16-18 x 1.25 Gr5       |
| 7        | 710-0599  | Screw, Hex Wash. Hd. Tapp, 1/4-20 x .5   |
| 8        | 710-1260A | Screw, Hex Wash. Hd. Tapp, 5/16-18 x .75 |
| 9        | 710-3015  | Screw, Hex Cap, 1/4-20 x .75 Gr5         |
| 10       | 710-3103  | Screw, Hex Cap, 5/16-18 x 2.0 Gr5        |
| 11       | 712-0206  | Nut, Hex, 1/2-13 Gr5                     |
| 12       | 712-04063 | Nut, Hex Flange Insert Lock, 5/16-18 GrF |
| 13       | 712-04065 | Nut, Hex Flange Insert Lock, 3/8-16 GrF  |
| 14       | 712-0417A | Nut, Hex Flange, 5/8-18                  |
| 15       | 712-0641  | Nut, Hex, M16-1.5                        |
| 16       | 712-3006  | Nut, Hex, 1/4-20 Gr5                     |
| 17       | 712-3010  | Nut, Hex, 5/16-18 Gr5                    |
| 18       | 712-3083  | Nut, Hex Insert Lock, 1/2013             |
| 19       | 714-0111  | Pin, Cotter, 3/32 x 1.0                  |
| 20       | 714-0162  | Pin, Cotter, 5/32 x 1.25                 |
| 21       | 715-0108  | Pin, Spring, 1/4 x 1.0                   |
| 22       | 717-04074 | Gear, Deck Adjust                        |
| 23       | 721-04041 | Adapter, Water Nozzle                    |
| 24       | 726-0233  | Nut, Push, .25 x .5                      |
| 25       | 726-0269  | Nut, Push On Speed, 3/8 Thrd.            |
| 26       | 731-05679 | Roller, Front                            |
| 27       | 732-0306A | Spring, Compression, .531 x 1.75         |
| 28       | 732-0594A | Spring, Extension, .91 x 7.33            |
| 29       | 732-0826A | Spring, Extension, .865 x 4.68           |
| 30       | 734-04155 | Wheel, Deck Ball, 5.0                    |
| 31       | 736-0119  | Washer, Lock, 5/16                       |
| 32       | 736-0225  | Washer, Internal Tooth Lock, 5/8         |
| 33       | 736-0247  | Washer, Flat, .406 x 1.25 x .157 HT      |

| Ref. No. | Part No.  | Description   |
|----------|---|---|
| 34       | 736-0270  | Washer, Belleville, .265 x .75 x .062   |
| 35       | 736-0343  | Washer, Flat, .33 x 1.25 x .12  |
| 36       | 737-04003C  | Nozzle, Deck Wash   |
| 37       | 738-04162A  | Spacer, Shoulder, .884 x .190   |
| 38       | 738-04235   | Shaft, 1/2 Dia x 20.8   |
| 39       | 738-3056  | Bolt, Shoulder, .496 x 2.5:3/8-16   |
| 40       | 942-04124   | Blade, 3 in 1 Star, 14.88   |
| 41       | 942-04125   | Blade, 3 in 1 Star, 16.28   |
| 42       | 747-1116  | Rod, Deck Release   |
| 43       | 747-1130B   | Rod, Deck Front Hanger  |
| 44       | 750-1206  | Spacer, .542 x .75 x .5   |
| 45       | 754-04118   | V-Belt, Type A x 122.5  |
| 46       | 756-04129   | Pulley, Idler, 4.25 Dia   |
| 47       | 783-0141  | Skirt, Deck Center  |
| 48       | 783-0142  | Skirt, Deck RH  |
| 49       | 783-05118   | Bracket, Idler  |
| 50       | 783-05397   | Bracket, Roller Height  |
| 51       | 783-0747B   | Cover, Deck Belt LH   |
| 52       | 783-0805C   | Cover, Deck Belt RH   |
| 53       | 710-0134  | Screw, Carriage, 1/4-20 x .62 Gr2   |
| 54       | 712-3087  | Nut, Wing, 1/4-20   |
| 55       | 731-05264   | Plug, Mulching  |
| 56       | 756-1188  | Pulley, Deck, 5.75 Dia  |
| 57       | 750-0952  | Spacer, .792 x 1.06 x 1.8   |
| 58       | 741-0919  | Bearing, Ball   |
| 59       | 738-1186  | Shaft, Spindle, 6.05 Lg   |
| 60       | 737-3000  | Fitting, Lube   |
| 61       | 619-0042A   | Housing, Spindle  |
| 62       | 17983   | Shield, Bearing   |
| 63       | 931-1032B<br>703-1693A<br>711-0792<br>726-0106<br>732-0602A | Chute Assembly, Discharge<br>Bracket, Hinge Mounting<br>Pin, Hinge, .25 x 6.75<br>Nut, Push Cap Speed, 1/4<br>Spring, Torsion |
| 64       | 710-04484   | Screw, TT, 5/16-18 x .75  |

### 50" Mowing Deck



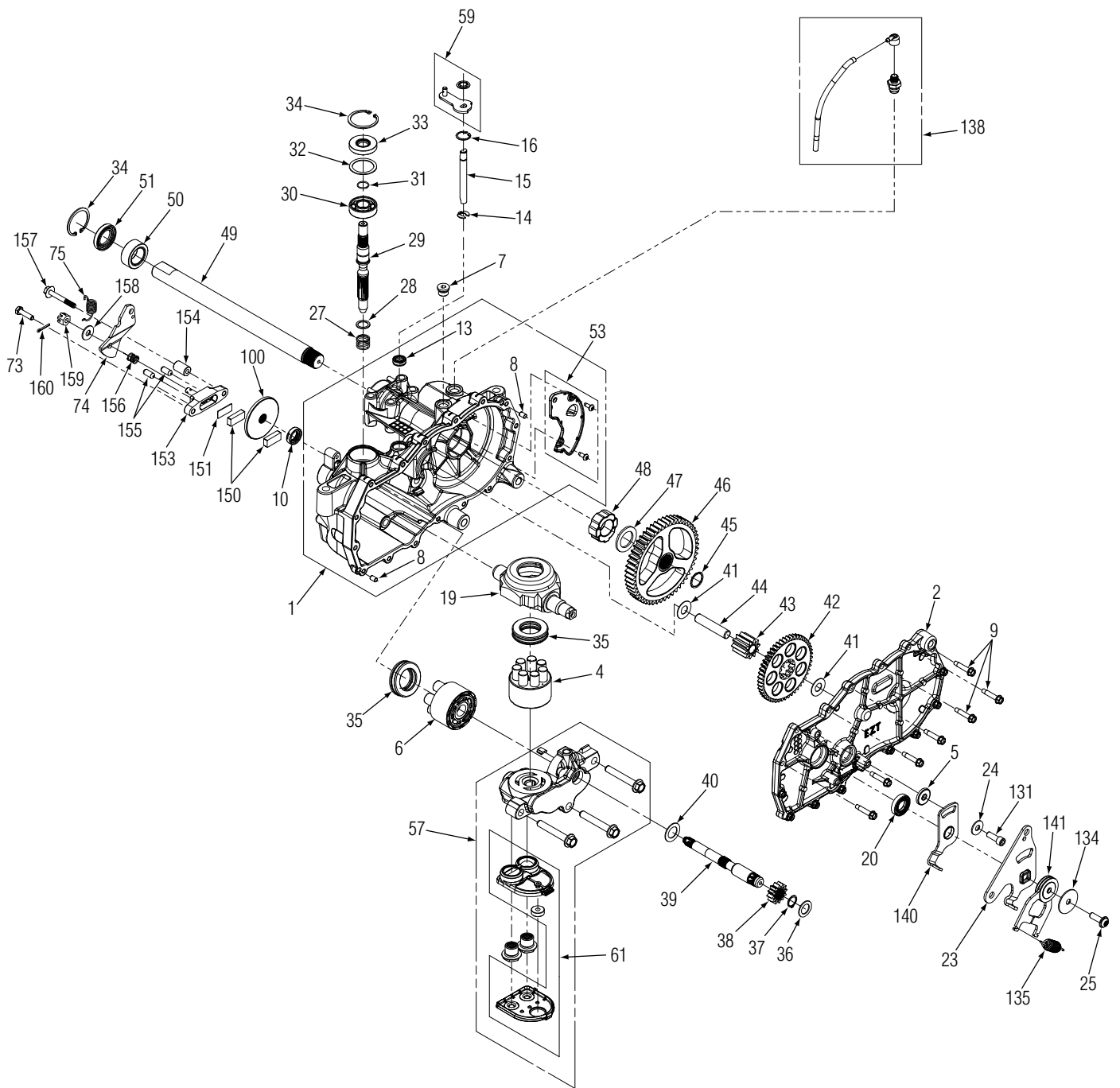


## 50" Mowing Deck

| Ref. No. | Part No.   | Description                              |
|----------|------------|--|
| 1        | 16606      | Bracket, Hook Retainer                   |
| 2        | 618-04126A | Spindle Assembly                         |
| 3        | 683-0254B  | Bracket, Deck Hanger LH                  |
| 4        | 683-04336  | Deck Assembly                            |
| 5        | 703-3279   | Bracket, Chute Stop                      |
| 6        | 703-3511A  | Guard, Finger                            |
| 7        | 710-0347   | Screw, Hex Cap, 3/8-16 x 1.75 Gr5        |
| 8        | 710-0528   | Screw, Hex Cap, 5/16-18 x 1.25 Gr5       |
| 9        | 710-0599   | Screw, Hex Wash. Hd. Tapp, 1/4-20 x .5   |
| 10       | 710-0607   | Screw, Hex Wash. Hd. Tapp, 5/16-18 x .5  |
| 11       | 710-1260A  | Screw, Hex Wash. Hd. Tapp, 5/16-18 x .75 |
| 12       | 710-3005   | Screw, Hex Cap, 3/8-16 x 1.25 Gr5        |
| 13       | 710-3103   | Screw, Hex Cap, 5/16-18 x 2.0 Gr5        |
| 14       | 710-3168   | Screw, Carriage, 3/8-16 x 1.0            |
| 15       | 710-3178   | Screw, Carriage, 3/8-16 x .75            |
| 16       | 711-0332   | Pin, Clevis, .5 x .78                    |
| 17       | 711-1737   | Pin, Roller, .5 x 10.06                  |
| 18       | 712-0206   | Nut, Hex, 1/2-13 Gr5                     |
| 19       | 712-0229   | Nut, Push, 3/8                           |
| 20       | 712-04063  | Nut, Hex Flange Insert Lock, 5/16-18 GrF |
| 21       | 712-04065  | Nut, Hex Flange Insert Lock, 3/8-16 GrF  |
| 22       | 712-0417A  | Nut, Hex Flange, 5/8-18                  |
| 24       | 712-0641   | Nut, Hex, M16-1.5                        |
| 25       | 712-3010   | Nut, Hex, 5/16-18 Gr5                    |
| 26       | 712-3083   | Nut, Hex Insert Lock, 1/2013             |
| 27       | 714-0111   | Pin, Cotter, 3/32 x 1.0                  |
| 28       | 714-0145   | Pin, Click, .092 x 1.64                  |
| 29       | 714-0162   | Pin, Cotter, 5/32 x 1.25                 |
| 30       | 714-0470   | Pin, Cotter, 1/8-1.25                    |
| 31       | 715-0108   | Pin, Spring, 1/4 x 1.0                   |
| 32       | 717-04074  | Gear, Deck Adjust                        |
| 33       | 721-04041  | Adapter, Water Nozzle                    |
| 34       | 731-05679  | Roller, Front                            |
| 35       | 732-0306A  | Spring, Compression, .531 x 1.75         |

| Ref. No. | Part No.  | Description   |
|----------|---|---|
| 36       | 732-0459C   | Spring, Extension, .94 x 6.74   |
| 37       | 734-04155   | Wheel, Deck Ball, 5.0   |
| 38       | 736-0119  | Washer, Lock, 5/16  |
| 39       | 736-0225  | Washer, Internal Tooth Lock, 5/8  |
| 40       | 736-0300  | Washer, Flat, .406 x .875 x .059  |
| 41       | 737-04003C  | Nozzle, Deck Wash   |
| 42       | 738-04162A  | Spacer, Shoulder, .884 x .190   |
| 43       | 738-04235   | Shaft, .5 x 20.8  |
| 44       | 738-3056  | Bolt, Shoulder, .496 x 2.5:3/8-16   |
| 45       | 942-04053B  | Blade, 2 in 1 Star, 17.9  |
| 46       | 747-1116  | Rod, Deck Release   |
| 47       | 747-1324  | Rod, Deck Front Hanger  |
| 48       | 750-0151  | Spacer, .55 x .75 x 1.125   |
| 49       | 750-1206  | Spacer, .542 x .75 x .5   |
| 50       | 754-04077   | V-Belt, B Sec., 134 in.   |
| 51       | 756-04129   | Pulley, Idler, 4.25 Dia.  |
| 52       | 783-04399   | Cover, Belt, LH   |
| 53       | 783-04400   | Cover, Belt, RH   |
| 54       | 783-04414   | Skirt, Deck Center  |
| 55       | 783-04415   | Skirt, Deck RH  |
| 56       | 783-05303   | Bracket, Idler,   |
| 57       | 783-05411   | Bracket, Height Adjust  |
| 58       | 731-04651   | Plug, Mulch   |
| 59       | 736-0315  | Washer, Flat, .76 x 1.5 x .12   |
| 60       | 737-3000  | Fitting, Lube   |
| 61       | 738-1010A   | Shaft, Spindle  |
| 62       | 747-0919  | Bearing, Ball   |
| 63       | 750-1000  | Spacer, .80x 1.10 x 1.322   |
| 64       | 750-1349  | Spacer, .79 x 1.84 x .55  |
| 65       | 756-1171  | Pulley, Deck  |
| 66       | 631-04070A<br>711-04565<br>732-04372<br>783-05030 | Chute Assembly, Discharge<br>Pin, Hinge, .3125 x 14.06<br>Spring, Torsion, .44 x 2.1<br>Bracket, Chute Mounting |

### RH Transmission Assembly



## RH Transmission Assembly

| Ref. No. | Part No.        | Description                   |
|----------|-----------------|-------------------------------|
| 1        | HG-71585        | Housing Assembly, Main RH     |
| 2        | HG-71586        | Side Assembly, RH             |
| 4        | HG-70723        | Block Kit - 7 Piston          |
| 5        | HG-52527        | Spacer, .32 x 1.005 x .179    |
| 6        | HG-70331        | Block Assembly, Cylinder      |
| 7        | HG-9005110-5600 | Plug, Straight Thread         |
| 8        | HG-9004800-2506 | Pin                           |
| 9        | HG-51190        | Screw, Hex Flange             |
| 10       | HG-70719        | Seal, Oil                     |
| 13       | HG-51626        | Seal, Lip                     |
| 14       | HG-51628        | Ring, Retaining, .375 Ext.    |
| 15       | HG-51625        | Rod, Bypass                   |
| 16       | HG-51627        | Ring, Retaining, .75 Int.     |
| 19       | HG-51048        | Swashplate, Trunnion          |
| 20       | HG-51140        | Seal, Lip                     |
| 23       | HG-52682        | Arm, Control                  |
| 24       | 736-0371        | Washer, Flat, .34 x .88 x .06 |
| 25       | HG-51812        | Screw, 5/16-24 x 1.0          |
| 27       | HG-2003014      | Spring, Block                 |
| 28       | HG-2003017      | Washer, Thrust                |
| 29       | HG-51062        | Shaft, Input                  |
| 30       | HG-50315        | Bearing, Ball                 |
| 31       | HG-2000022      | Ring, Retaining               |
| 32       | HG-50951        | Spacer                        |
| 33       | HG-51161        | Seal, Lip                     |
| 34       | HG-50329        | Ring, Retaining               |
| 35       | HG-50551        | Bearing, Thrust               |
| 36       | HG-44371        | Washer, Flat, 5/8 x 1.0 x .05 |
| 37       | HG-44145        | Ring, Retaining               |
| 38       | HG-51767        | Gear, Pinion, 12T             |
| 39       | HG-52579        | Shaft, Motor                  |
| 40       | HG-51069        | Washer, Motor Shaft           |
| 41       | HG-50132        | Washer, HT                    |
| 42       | HG-51766        | Gear, 10T/49T                 |
| 43       | HG-51043        | Gear, 10T Jackshaft           |

| Ref. No. | Part No.  | Description                 |
|----------|-----------|-----------------------------|
| 44       | HG-51083  | Pin, Jackshaft              |
| 45       | HG-52531  | Ring, Retaining             |
| 46       | HG-52541  | Gear, Bull, 52T             |
| 47       | HG-52532  | Washer, 1.018 x 1.57 x .105 |
| 48       | HG-52542  | Bearing, Sleeve             |
| 49       | HG-52683  | Shaft, Axle                 |
| 50       | HG-51517  | Bearing, Sleeve             |
| 51       | HG-51518  | Seal, Lip                   |
| 53       | HG-70868R | Plate Kit, Expansion RH     |
| 57       | HG-71530  | Kit, Center Section RH      |
| 59       | HG-71006  | Kit, Bypass Arm RH          |
| 61       | HG-71497  | Filter Assembly             |
| 73       | HG-44433  | Screw, Hex                  |
| 74       | HG-44094  | Arm, Brake                  |
| 75       | HG-50884  | Spring, Brake               |
| 100      | HG-52473  | Rotor, Brake                |
| 131      | HG-51616  | Screw, Patch, 5/16-24 x 1   |
| 134      | HG-51950  | Washer, .343 x 1.5 x .062   |
| 135      | HG-52401  | Spring, Extension           |
| 138      | HG-71510  | Kit, Breather               |
| 140      | HG-51946  | Arm, Neutral, RH            |
| 141      | HG-52432  | Kit, Scissors Arm           |
| 150      | 917-0678  | Puck, Brake                 |
| 151      | 917-0682  | Plate, Puck                 |
| 153      | HG-62589  | Assembly, Brake Yoke        |
| 154      | HG-23711  | Spacer, Torsion Spring      |
| 155      | 941-0343  | Pin, Actuating              |
| 156      | HG-50919  | Spring, Brake               |
| 157      | HG-51146  | Bolt, Special Flange        |
| 158      | 936-0371  | Washer, Flat                |
| 159      | 712-0335  | Nut, Castle, 5/16-24        |
| 160      | 914-0507  | Pin, Cotter, 3/32 x .75     |
|          | HG-50928  | Sealant                     |
|          | HG-70853  | Seal Kit                    |

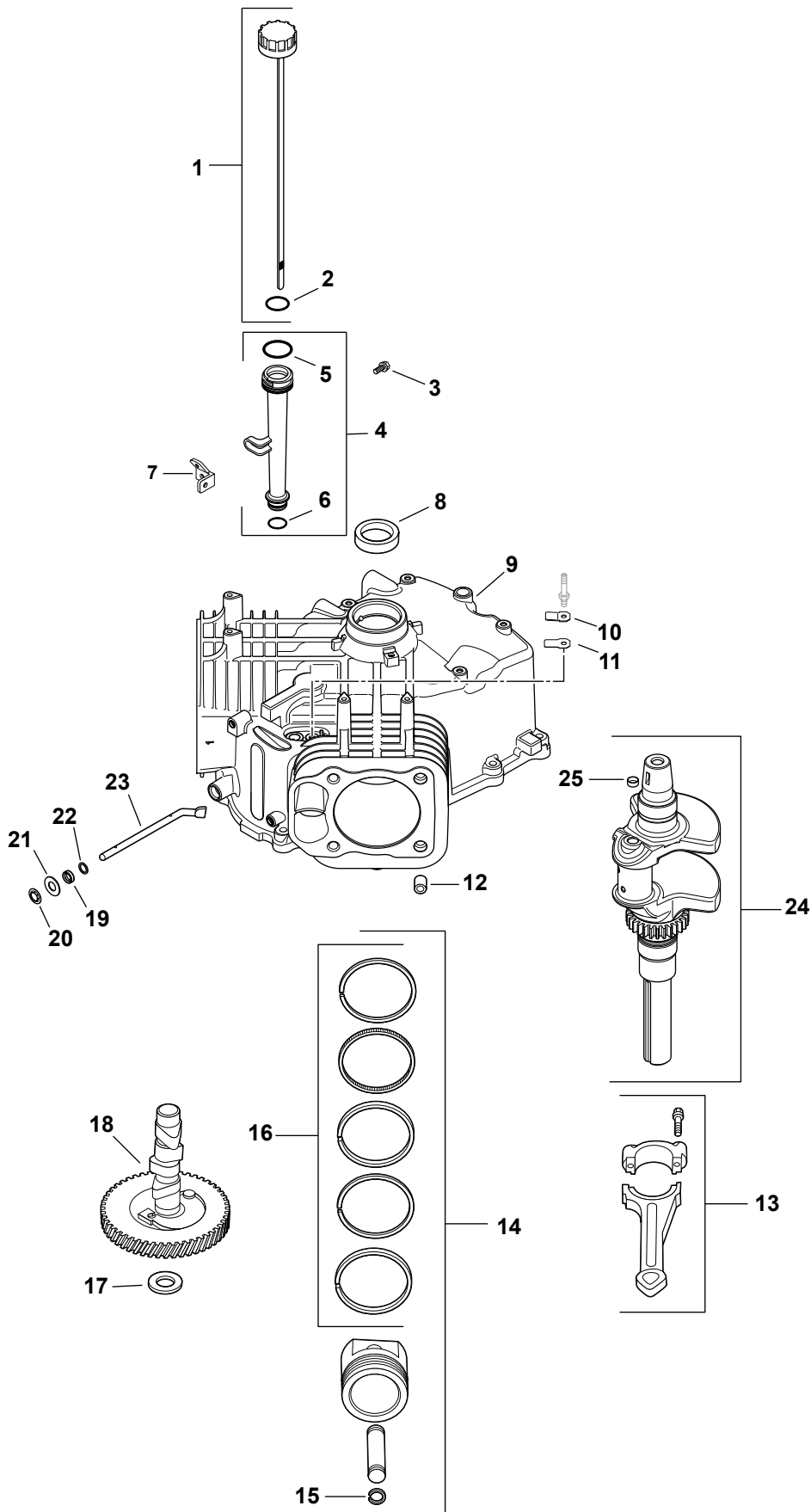


## LH Transmission Assembly

| Ref. No. | Part No.        | Description                   |
|----------|-----------------|-------------------------------|
| 1        | HG-71030L       | Housing Assembly, Main RH     |
| 2        | HG-71031L       | Side Assembly, RH             |
| 4        | HG-70723        | Block Kit - 7 Piston          |
| 5        | HG-51949        | Spacer, .32 x 1.005 x .179    |
| 6        | HG-70331        | Block Assembly, Cylinder      |
| 7        | HG-9005110-5600 | Plug, Straight Thread         |
| 8        | HG-9004800-2506 | Pin                           |
| 9        | HG-51190        | Screw, Hex Flange             |
| 10       | HG-70719        | Seal, Oil                     |
| 13       | HG-51626        | Seal, Lip                     |
| 14       | HG-51628        | Ring, Retaining, .375 Ext.    |
| 15       | HG-51625        | Rod, Bypass                   |
| 16       | HG-51627        | Ring, Retaining, .75 Int.     |
| 19       | HG-51048        | Swashplate, Trunnion          |
| 20       | HG-51140        | Seal, Lip                     |
| 23       | HG-52681        | Arm, Control                  |
| 24       | 736-0371        | Washer, Flat, .34 x .88 x.06  |
| 25       | HG-51812        | Screw, 5/16-24 x 1.0          |
| 27       | HG-2003014      | Spring, Block                 |
| 28       | HG-2003017      | Washer, Thrust                |
| 29       | HG-51062        | Shaft, Input                  |
| 30       | HG-50315        | Bearing, Ball                 |
| 31       | HG-2000022      | Ring, Retaining               |
| 32       | HG-50951        | Spacer                        |
| 33       | HG-51161        | Seal, Lip                     |
| 34       | HG-50329        | Ring, Retaining               |
| 35       | HG-50551        | Bearing, Thrust               |
| 36       | HG-44371        | Washer, Flat, 5/8 x 1.0 x .05 |
| 37       | HG-44145        | Ring, Retaining               |
| 38       | HG-51767        | Gear, Pinion, 12T             |
| 39       | HG-52579        | Shaft, Motor                  |
| 40       | HG-51069        | Washer, Motor Shaft           |
| 41       | HG-50132        | Washer, HT                    |
| 42       | HG-51766        | Gear, 10T/49T                 |
| 43       | HG-51043        | Gear, 10T Jackshaft           |

| Ref. No. | Part No.  | Description                 |
|----------|-----------|-----------------------------|
| 44       | HG-51083  | Pin, Jackshaft              |
| 45       | HG-52531  | Ring, Retaining             |
| 46       | HG-52541  | Gear, Bull, 52T             |
| 47       | HG-52532  | Washer, 1.018 x 1.57 x .105 |
| 48       | HG-52542  | Bearing, Sleeve             |
| 49       | HG-52683  | Shaft, Axle                 |
| 50       | HG-51517  | Bearing, Sleeve             |
| 51       | HG-51518  | Seal, Lip                   |
| 53       | HG-70868L | Plate Kit, Expansion        |
| 57       | HG-71529  | Kit, Center Section         |
| 59       | HG-71357  | Kit, Bypass Arm RH          |
| 61       | HG-71497  | Filter Assembly             |
| 73       | HG-44433  | Screw, Hex                  |
| 74       | HG-44094  | Arm, Brake                  |
| 75       | HG-50884  | Spring, Brake               |
| 100      | HG-52473  | Rotor, Brake                |
| 131      | HG-51616  | Screw, Patch, 5/16-24 x 1   |
| 134      | HG-51950  | Washer, .343 x 1.5 x .062   |
| 135      | HG-52401  | Spring, Extension           |
| 138      | HG-71510  | Kit, Breather               |
| 140      | HG-51945  | Arm, Neutral                |
| 141      | HG-52432  | Kit, Scissors Arm           |
| 150      | 917-0678  | Puck, Brake                 |
| 151      | 917-0682  | Plate, Puck                 |
| 153      | HG-62589  | Assembly, Brake Yoke        |
| 154      | HG-23711  | Spacer, Torsion Spring      |
| 155      | 941-0343  | Pin, Actuating              |
| 156      | HG-50919  | Spring, Brake               |
| 157      | HG-51146  | Bolt, Special Flange        |
| 158      | 936-0371  | Washer, Flat                |
| 159      | 712-0335  | Nut, Castle, 5/16-24        |
| 160      | 914-0507  | Pin, Cotter, 3/32 x .75     |
|          | HG-50928  | Sealant                     |
|          | HG-70853  | Seal Kit                    |

**i1046 & i1050 Crankcase; Crankshaft; and Dipstick**

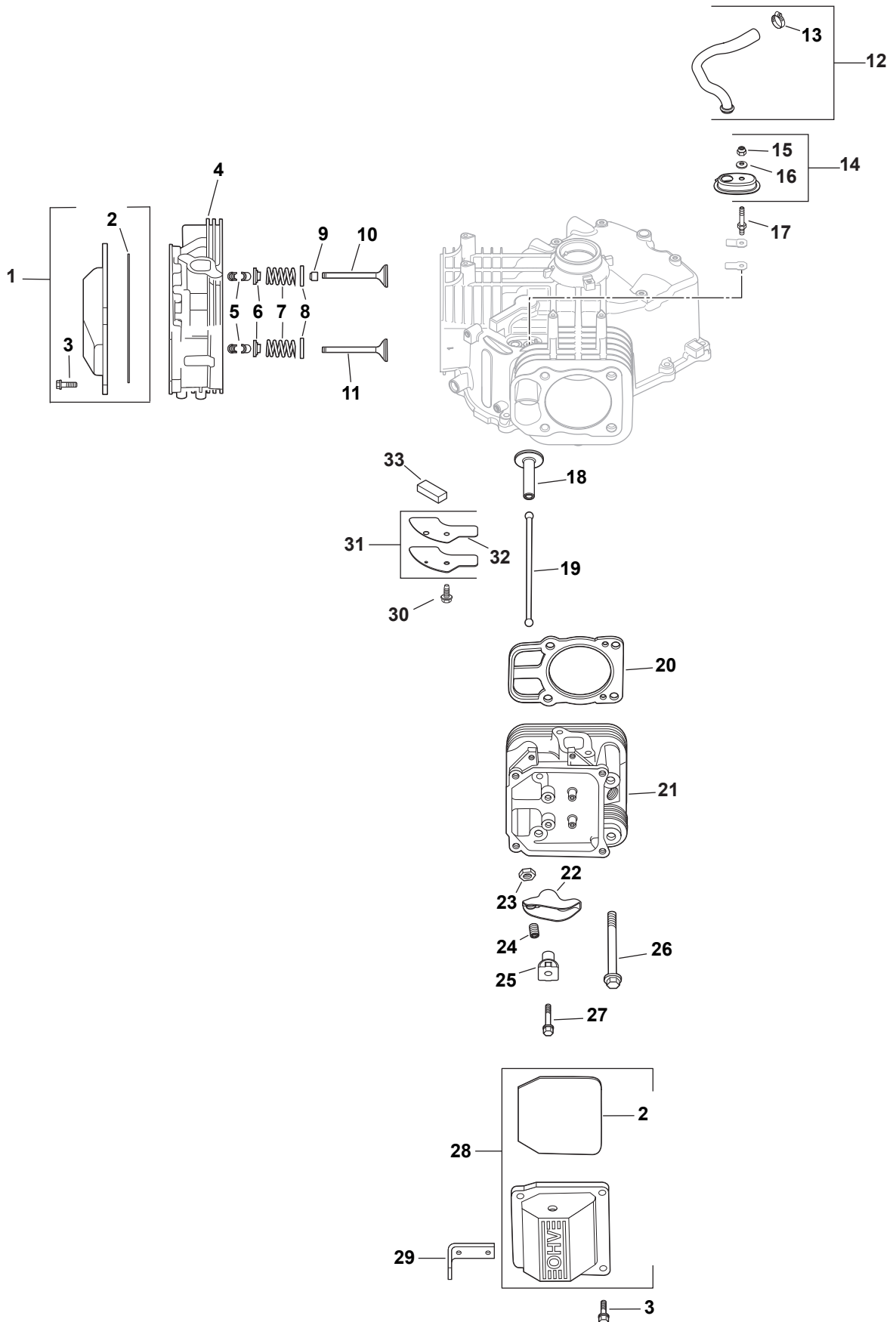


**i1046 & i1050 Crankcase; Crankshaft; and Dipstick**

| Ref. No. | Part No.   | Description  |
|----------|--|--|
| 1        | KH-32-038-01-S   | Dipstick Assembly (Incl. Ref.2)  |
| 2        | KH-25-153-02-S   | O-Ring, Dipstick   |
| 3        | KH-M-545013-S  | Screw, Flnge Thrd. Frmng M5 x .8 x 13  |
| 4        | KH-12-123-04   | Kit, Oil Fill Tube (Incl. Ref. 5,6)  |
| 5        | KH-12-153-02-S   | O-ring, Upper Fill Tube  |
| 6        | KH-12-153-01-S   | O-ring, Lower Fill Tube  |
| 7        | KH-24-126-19   | Bracket, Fill Tube   |
| 8        | KH-24-032-01-S   | Seal, Oil  |
| 9        |  | Crankcase - Use Short Block  |
| 10       | KH-24-018-04   | Retainer, Breather Reed  |
| 11       | KH-12-402-02   | Reed, Breather   |
| 12       | KH-24-380-16-S   | Pin, Locating  |
| 13       | KH-24-067-24-S   | Connecting Rod (Std.)  |
| 14       | KH-32-874-06-S<br>KH-32-874-28-S<br>KH-32-874-09-S   | Kit, Piston w/Ring Set (Std.)<br>Kit, Piston w/Ring Set (.25)<br>Kit, Piston w/Ring Set (.08)  |
| 15       | KH-24-018-01-S   | Retainer, Piston Pin   |
| 16       | KH-24-108-11-S<br>KH-24-108-06-S   | Ring Set (Std. & .08)<br>Ring Set (.25)  |
| 17       | KH-12-422-07-S<br>KH-12-422-08-S<br>KH-12-422-09-S<br>KH-12-422-10-S<br>KH-12-422-11-S<br>KH-12-422-12-S<br>KH-12-422-13-S | Shim, Camshaft (White .028)<br>Shim, Camshaft (Blue .03)<br>Shim, Camshaft (Red .032)<br>Shim, Camshaft (Yellow .034)<br>Shim, Camshaft (Green .036)<br>Shim, Camshaft (Gray .038)<br>Shim, Camshaft (Black .04) |
| 18       | KH-32-012-01-S   | Kit, Camshaft  |
| 19       | KH-28-032-09-S   | Seal, Governor Cross Shaft   |
| 20       | KH-24-018-09-S   | Retaining Ring   |
| 21       | KH-M-931010-S  | Washer, Flat, 9mm  |
| 22       | KH-24-468-15-S   | Washer, Flat, 11/32  |
| 23       | KH-24-144-38-S   | Shaft, Governor Cross  |
| 24       | KH-32-014-04-S   | Crankshaft (Incl. Ref. 25)   |
| 25       | KH-52-139-09-S   | Plug, Cup  |



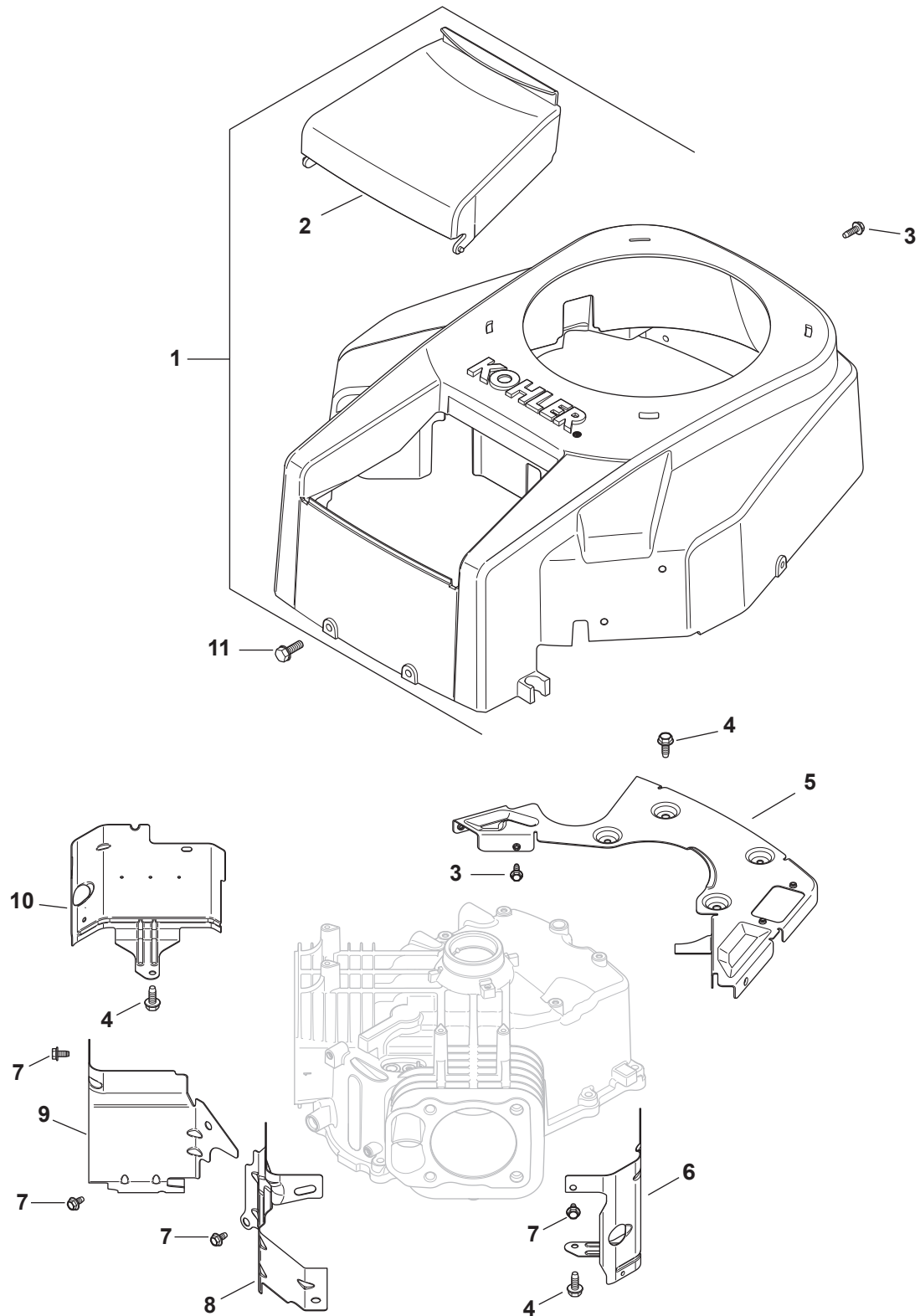
### i1046 & i1050 Cylinder Head/Valves/Breather



**i1046 & i1050 Cylinder Head/Valves/Breather**

| Ref. No.        | Part No.        | Description  |
|-----------------|-----------------|--|
| 1               | KH-24-755-141-S | Kit, Rocker Cover (Incl. Ref.2 & 4pc Ref. 3)   |
| 2               | KH-24-153-28-S  | O-Ring, Valve Cover  |
| 3               | KH-M-651030-S   | Screw, Flnge M6 x 1.0 x 30   |
| 4               | KH-32-318-01-S  | Kit, #1 Cylinder Head (Incl. 4pc Ref. 26 and KH-24-841-03-S)                               |
| 5               | KH-12-755-03    | Kit, Retainer  |
| 6               | KH-12-173-01    | Cap, Valve Spring  |
| 7               | KH-24-089-02    | Spring, Valve  |
| 8               | KH-235011-S     | Retainer, Spring   |
| 9               | KH-66-032-05-S  | Seal, Valve Stem   |
| 10              | KH-24-017-01    | Valve, Intake (Std.)   |
| 11              | KH-24-016-01    | Valve, Exhaust (Std.)  |
| 12              | KH-32-326-04-S  | Kit, Breather Hose, (Incl. 1pc Ref. 13)  |
| 13              | KH-25-237-14-S  | Clamp, Hose  |
| 14              | KH-32-081-02-S  | Kit, Breather Housing (Incl. 15,16)  |
| 15              | KH-M-547050-S   | Nut, Lock, M5 x 0.8  |
| 16              | KH-32-468-01-S  | Washer, Sealing  |
| 17              | KH-32-072-02-S  | Stud, Breather Cover   |
| 18              | KH-32-019-01-S  | Kit, Tappet  |
| 19              | KH-32-411-02-S  | Rod, Push  |
| 20              | KH-24-841-03-S  | Kit, Cylinder Head Gasket (Incl. Head Mtg. Hardware and KH-24-041-49-S and KH-24-153-27-S) |
| 21              | KH-32-318-02-S  | Kit, #2 Cylindre Head (Incl. 4pc Ref. 26 and KH-24-841-03-S)                               |
| 22              | KH-32-186-02-S  | Arm, Rocker  |
| 23              | KH-32-100-04-S  | Nut, M10 x 0.75  |
| 24              | KH-32-086-03-S  | Screw, Set   |
| 25              | KH-24-599-02-S  | Pivot, Rocker Arm  |
| 26              | KH-12-086-16    | Screw, Flange, M10 x 1.5 x 90  |
| 27              | KH-32-086-04-S  | Screw, Flange, M6 x 1.0 x 45   |
| 28              | KH-32-096-06-S  | Kit, Breather Valve Cover (Incl. 1pc Ref.2)  |
| 29              | KH-24-445-01    | Strap, Lifting   |
| 30              | KH-M-645016-S   | Screw, Flnge Thrd. Frmng M6 x 1.0 x 16   |
| 31              | KH-32-096-04-S  | Kit, Breather Cover (Incl. Ref. 32)  |
| 32              | KH-32-041-01-S  | Gasket, Breather Cover   |
| 33              | KH-32-050-01-S  | Filter, Breather   |
| Not Illustrated |                 |  |
|                 | KH-24-041-49-S  | Gasket, Exhaust  |
|                 | KH-24-153-27-S  | O-Ring   |

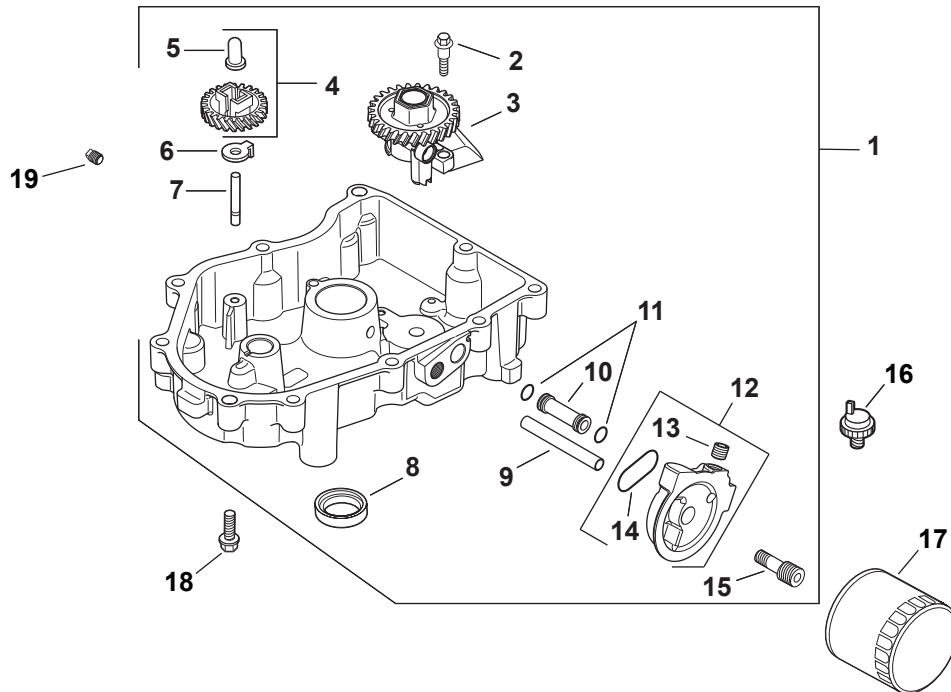
**i1046 & i1050 Blower Housing/Baffles**



**i1046 & i1050 Blower Housing/Baffles**

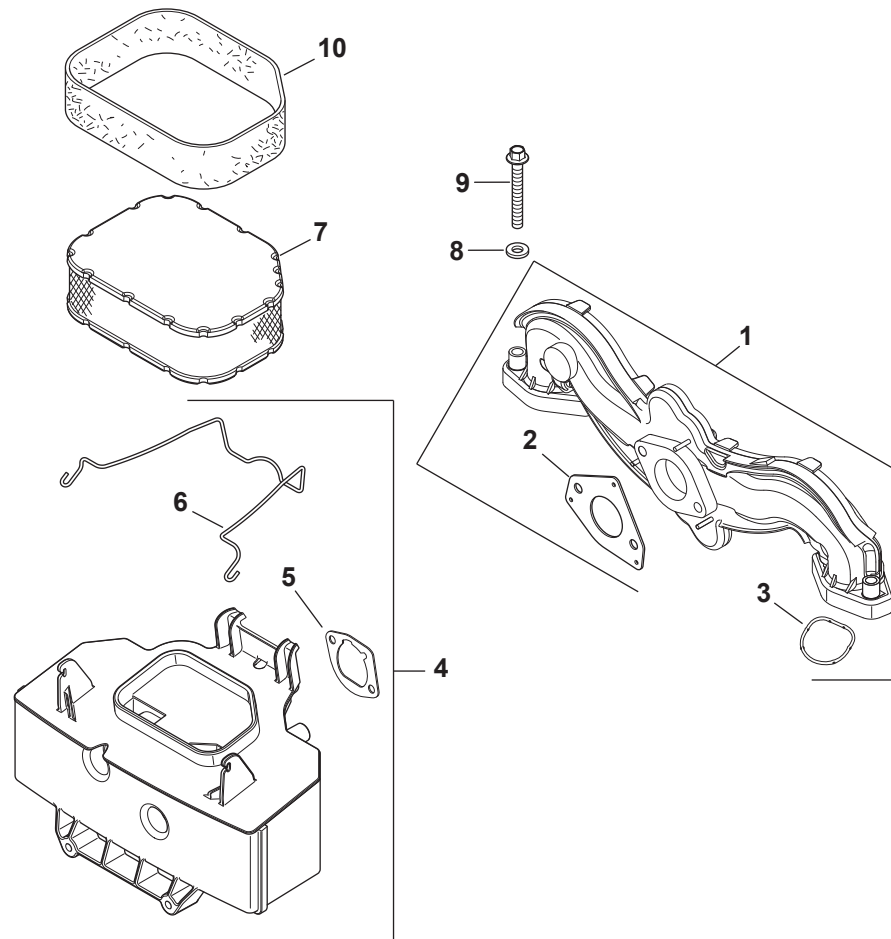
| <b>Ref. No.</b> | <b>Part No.</b> | <b>Description</b>                              |
|-----------------|-----------------|---|
| 1               | KH-32-027-03-S  | Kit, Blower Hsng (Incl. Ref.2 & KH-41-037-10-S) |
| 2               | KH-32-096-08-S  | Cover, Air Cleaner                              |
| 3               | KH-M-545016-S   | Screw, Flng Thrd. Frmng M5 x 0.8x 16            |
| 4               | KH-M-645016-S   | Screw, Flng Thrd. Frmng M6 x 1.0 x 16           |
| 5               | KH-32-146-05-S  | Plate, Backing                                  |
| 6               | KH-32-063-05-S  | Baffle, Cyl. Barrel - #2 Side                   |
| 7               | KH-M-545010     | Screw, Flng Thrd. Frmng M5 x 0.8x 10            |
| 8               | KH-32-063-02-S  | Baffle, Valley #2 Side                          |
| 9               | KH-32-063-03-S  | Baffle, Valley #1 Side                          |
| 10              | KH-32-063-06-S  | Baffle, Cylinder Barrel - #1 Side               |
| 11              | KH-24-086-12    | Screw, Tap, M6 x 1.7 x 18                       |
|                 |                 | Not Illustrated                                 |
|                 | KH-41-037-10-S  | Nameplate, Service                              |
|                 | KH-32-113-20-S  | Decal, Cub                                      |

## i1046 &amp; i1050 Oil Pan/Filter



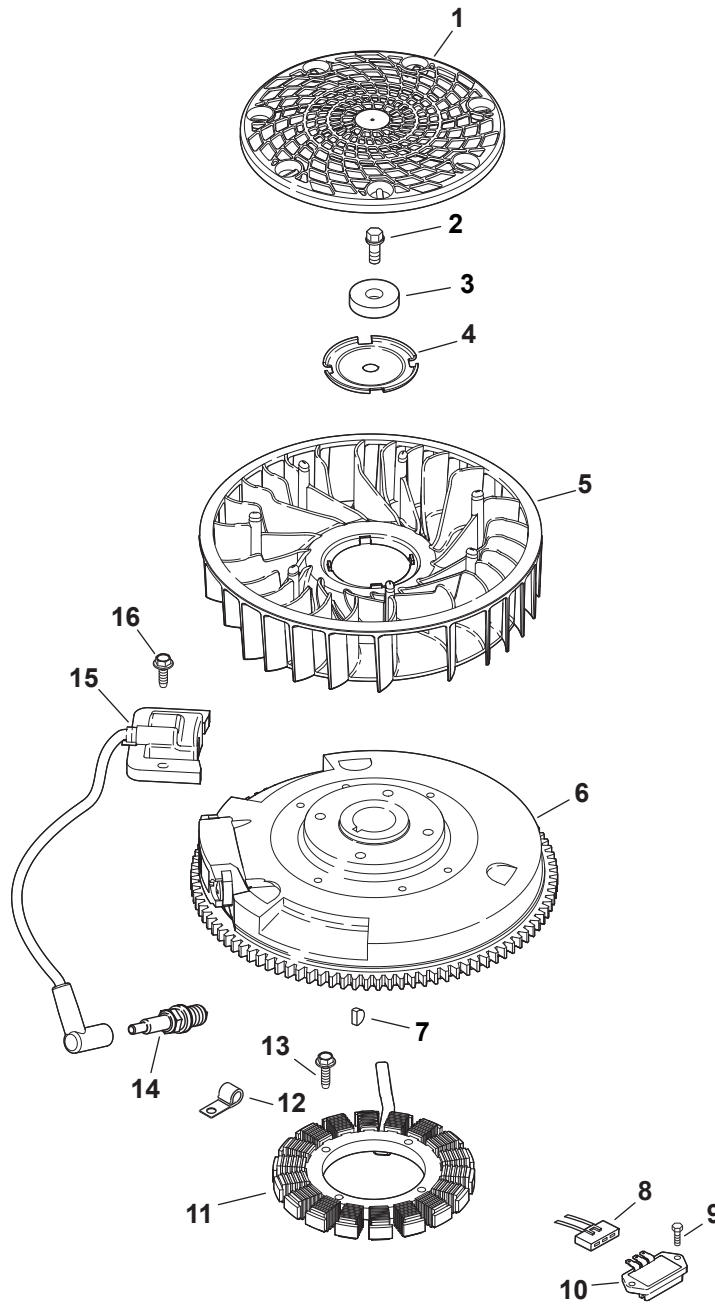
| Ref. No. | Part No.       | Description   |
|----------|----------------|---|
| 1        | KH-32-199-02-S | Pan Assembly, Oil (Incl. Ref. 2-15)                           |
| 2        | KH-32-086-01-S | Screw, Flnge Thrd. Frmng M6 x 1.0 x 26.5                      |
| 3        | KH-32-393-10-S | Pump Assembly, Oil  |
| 4        | KH-24-043-12   | Kit, Governor Gear w/Pin (Incl. Ref. 5)                       |
| 5        | KH-12-380-01   | Pin, Governor Regulating                                      |
| 6        | KH-24-448-02-S | Tab, Locking  |
| 7        | KH-12-144-02   | Shaft, Governor Gear  |
| 8        | KH-52-032-08-S | Seal, Oil (PTO End)   |
| 9        | KH-32-123-01-S | Tube, Oil Feed - Filter to Pan                                |
| 10       | KH-32-123-03-S | Tube, Oil Feed - Pan to Filter                                |
| 11       | KH-24-153-01   | O-Ring, Oil Pick-up   |
| 12       | KH-32-029-07-S | Kit, Oil Filter Adapter                                       |
| 13       | KH-25-139-60-S | Plug, Pipe, 1/8   |
| 14       | KH-32-153-04-S | O-Ring, Oil Filter Adapter                                    |
| 15       | KH-32-136-03-S | Nipple, Oil Filter  |
| 16       | KH-25-099-27-S | Switch, Oil Pressure  |
| 17       | KH-52-050-02-S | Filter, Oil   |
| 18       | KH-24-086-17-S | Screw, Flange, M8 x 1.25 x 45                                 |
| 19       | KH-25-139-57-S | Plug, Sq. Hd. Pipe, 3/8 NOT USED- Replaced by Oil Drain Valve |

## i1046 &amp; i1050 Air Filter/Intake Manifold



| Ref. No. | Part No.        | Description                       |
|----------|-----------------|-----------------------------------|
| 1        | KH-24-164-51-S  | Manifold, Intake                  |
| 2        | KH-24-041-52-S  | Gasket, Carburetor                |
| 3        | KH-24-153-27-S  | O-Ring, Intake Port               |
| 4        | KH-32-094-04-S  | Base, Air Cleaner w/Gasket, Latch |
| 5        | KH-24-041-14    | Gasket, Air Cleaner Base          |
| 6        | KH-32-344-02-S  | Latch, Air Cleaner Element        |
| 7        | KH-32-083-03-S1 | Element, Air Filter               |
| 8        | KH-X-25-63      | Washer, Flat, 1/4                 |
| 9        | KH-M-651040-S   | Screw, Flange, M6 x 1.0 x 40      |
| 10       | KH-32-083-05-S  | Pre-Cleaner, Element              |

**i1046 & i1050 Flywheel/Electrical**

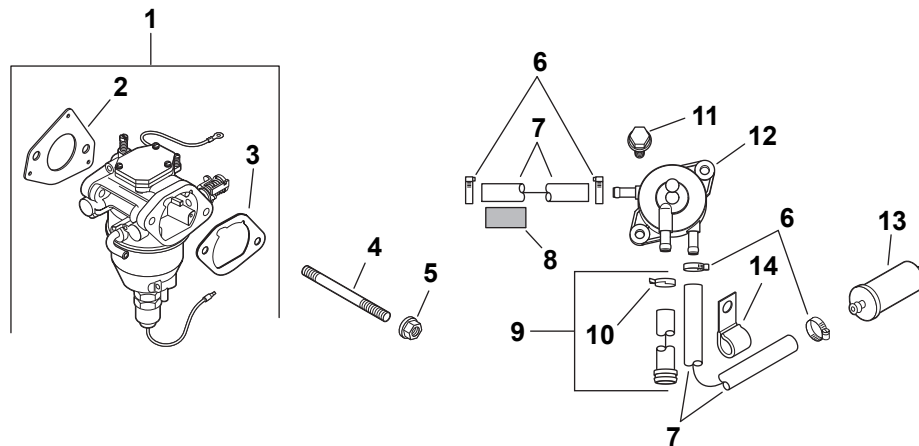




**i1046 & i1050 Flywheel/Electrical**

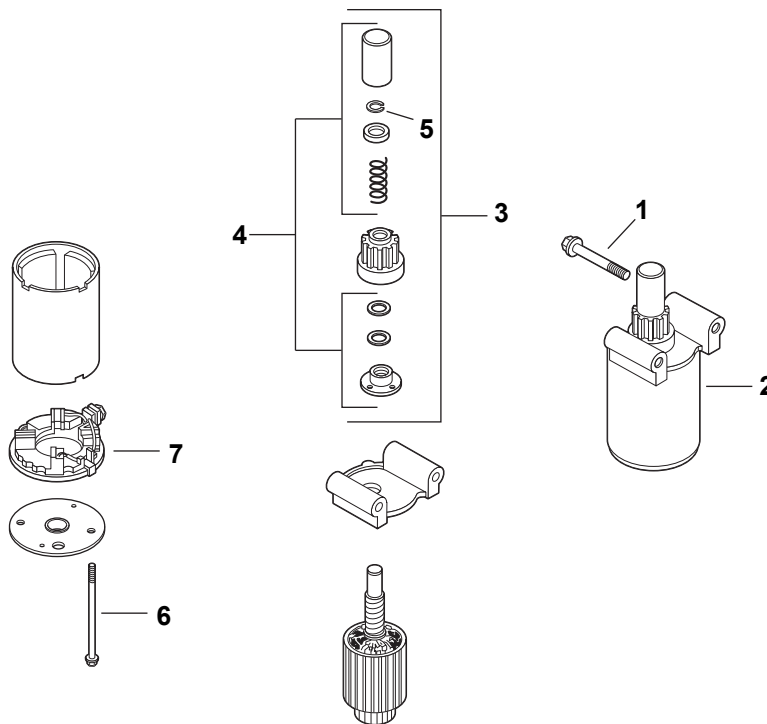
| Ref. No. | Part No.       | Description                          |
|----------|----------------|--------------------------------------|
| 1        | KH-32-162-03-S | Screen, Grass                        |
| 2        | KH-12-086-14   | Screw, Flange, M10 x 1.5 x 45        |
| 3        | KH-12-468-03   | Washer, Flat 13/32                   |
| 4        | KH-20-146-02-S | Plate, Fan Mounting                  |
| 5        | KH-32-157-01-S | Fan                                  |
| 6        | KH-32-025-08-S | Flywheel                             |
| 7        | KH-X-42-15     | Key, 3/16 x 5/8                      |
| 8        | KH-236602-S    | Connector (3 Contact)                |
| 9        | KH-M-551016-S  | Screw, Flange, M5 x 0.8 x 16         |
| 10       | KH-41-403-09   | Rectifier-Regulator                  |
| 11       | KH-237878      | Kit, 15 Amp Stator                   |
| 12       | KH-235173      | Clip, Cable                          |
| 13       | KH-M-548025-S  | Screw, Thrd. Frmng M5 x 0.8x 25      |
| 14       | 759-3336       | Plug, Spark                          |
| 15       | KH-24-584-45-S | Module, Ignition                     |
| 16       | KH-M-545020-S  | Screw, Flng Thrd. Frmng M5 x 0.8x 20 |
|          |                | Not Illustrated                      |
|          | KH-25-454-03-S | Tie, Wire                            |
|          | KH-32-176-02-S | Harness, Wiring                      |

## i1046 &amp; i1050 Fuel System/Carburetor



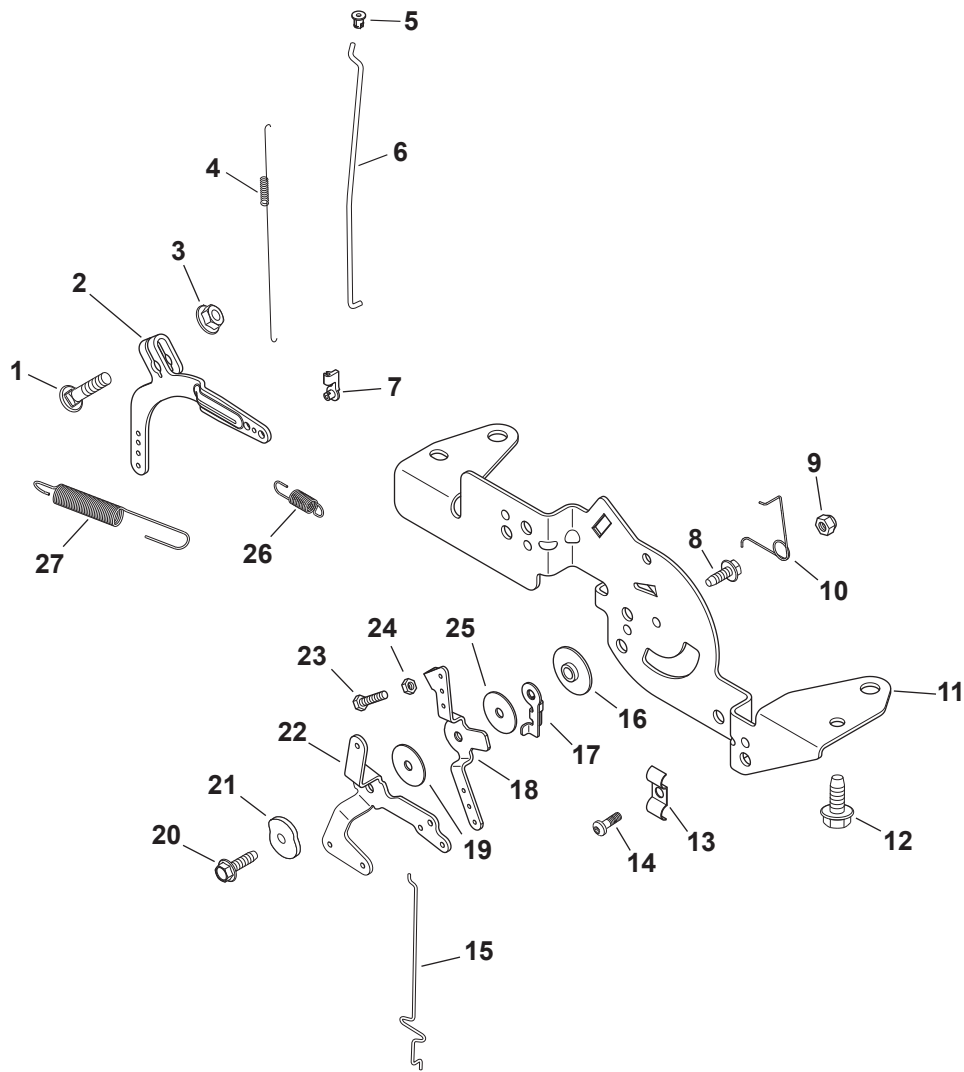
| Ref. No. | Part No.                         | Description  |
|----------|----------------------------------|--|
| 1        | KH-32-853-03-S<br>KH-32-853-04-S | Kit, Carburetor (Incl. 2-3) Model i1046 ONLY<br>Kit, Carburetor (Incl. 2-3) Model i1050 ONLY |
| 2        | KH- 24-041-52-S                  | Gasket, Carburetor   |
| 3        | KH-24-041-14                     | Gasket, Air Cleaner Base   |
| 4        | KH-M-629105-S                    | Stud, M6 x 1.0 x 106   |
| 5        | KH-M-641060-S                    | Nut, Flange, M6 x 1.0  |
| 6        | KH-25-237-14-S                   | Clamp, Spring Hose 1/2   |
| 7        | KH-25-111-34-S                   | Line, Fuel (24"- Cut to Length)  |
| 8        | KH-25-431-10-S                   | Sleeve, Anti Abrasion  |
| 9        | KH-32-326-02-S                   | Kit, Fuel Pump Hose w/Clamp (Incl. 10)   |
| 10       | KH-25-237-01-S                   | Clamp, Hose  |
| 11       | KH-24-086-12                     | Screw, Tap, M6 x 1.7 x 18  |
| 12       | KH-24-393-16                     | Pump, Fuel   |
| 13       | KH-25-050-22-S1                  | Filter, Fuel   |
| 14       | KH-47-154-01-S                   | Clip, Cable  |
|          |                                  | Not Illustrated  |
|          | KH-24-086-05                     | Screw, Throttle Stop - Model i1046 ONLY  |
|          | KH-X-25-63                       | Washer, Flat, 1/4  |
|          | KH-24-757-36-S                   | Service Kit, Choke Repair  |
|          | KH-24-757-38-S                   | Service Kit, Gasket  |
|          | KH-24-757-44-S                   | Kit, Float Repair  |
|          | KH-24-757-45-S                   | Kit, Solenoid Valve Repair   |
|          | KH-24-757-46-S                   | Kit, Carburetor Overhaul Repair  |

## i1046 &amp; i1050 Starter Motor



| Ref. No. | Part No.       | Description                     |
|----------|----------------|---------------------------------|
| 1        | KH-M-839080    | Screw, Flange, M8 x 1.25 x 80   |
| 2        | KH-32-098-01-S | Starter Assembly                |
| 3        | KH-12-755-39-S | Kit, Drive                      |
| 4        | KH-12-755-38-S | Kit, Drive Parts (Incl. Ref. 5) |
| 5        | KH-32-141-01-S | Ring, Retaining Ring            |
| 6        | KH-32-211-01-S | Bolt, Thru                      |
| 7        | KH-12-243-04-S | Commutator, End Cap             |

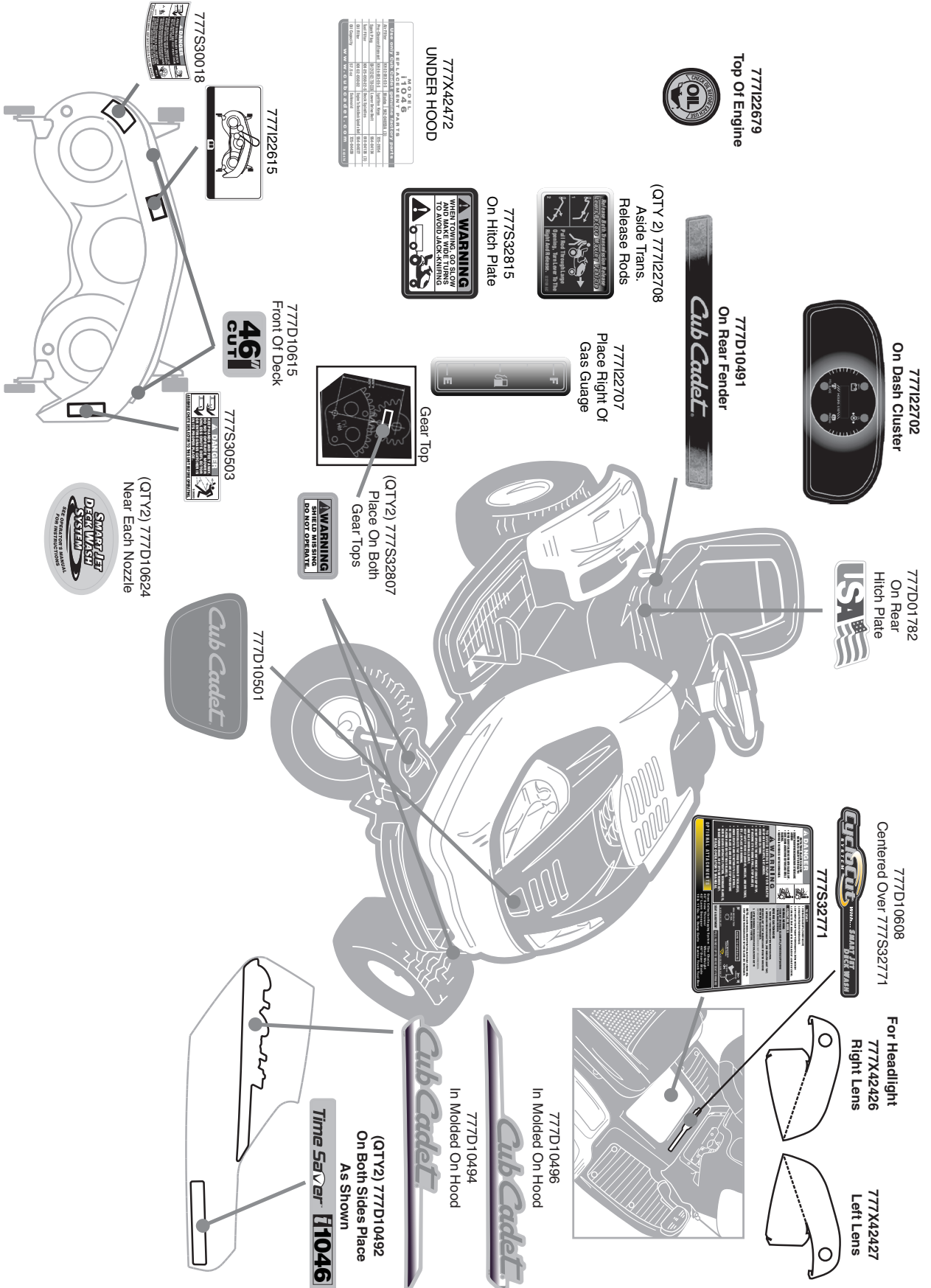
**i1046 & i1050 Engine Controls**



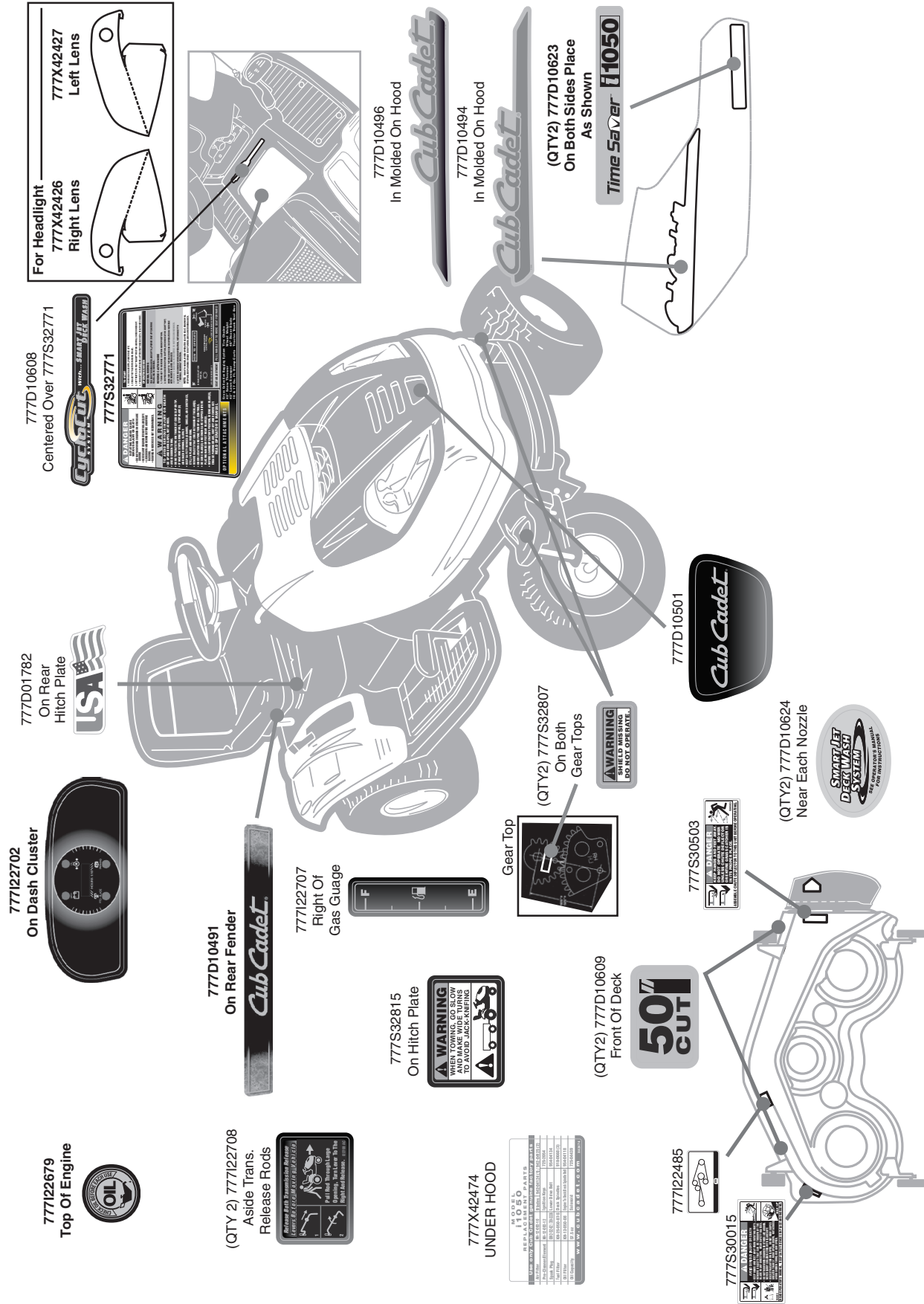
### i1046 & i1050 Engine Controls

| Ref.<br>No. | Part No.                       | Description  |
|-------------|--------------------------------|--|
| 1           | KH-24-211-03-S                 | Bolt, Carriage, M6 X 1.0 X 25  |
| 2           | KH-24-090-33-S                 | Lever, Governor  |
| 3           | KH-M-641060-S                  | Nut, Flange, M6 x 1.0  |
| 4           | KH-24-089-01                   | Spring, Linkage  |
| 5           | KH-25-158-08                   | Bushing, Linkage Retainer  |
| 6           | KH-24-079-04                   | Linkage, Throttle  |
| 7           | KH-25-158-11                   | Bushing, Throttle Linkage  |
| 8           | KH-M-545016-S                  | Screw, Flng. Thrd. Frmng, M5 x 0.8 x 16                                  |
| 9           | KH-M-547050-S                  | Nut, Lock, M5 x 0.8  |
| 10          | KH-24-089-03                   | Spring, Choke Return   |
| 11          | KH-24-126-161-S                | Bracket, Control   |
| 12          | KH-M-645016-S                  | Screw, Flng. Thrd. Frmng M6 x 1.0 x 16                                   |
| 13          | KH-47-237-02                   | Clamp, Dual Conduit  |
| 14          | KH-24-086-43-S                 | Screw, Torx Hd. Ctsk, M5 x 0.8 x 16                                      |
| 15          | KH-24-079-22-S                 | Linkage, Choke   |
| 16          | KH-24-112-27-S                 | Spacer, Control Assembly   |
| 17          | KH-24-090-47-S                 | Lever, Throttle Actuator   |
| 18          | KH-24-090-13                   | Lever, Throttle Control  |
| 19          | KH-24-468-01                   | Washer, Flat, 5.5mm  |
| 20          | KH-M-545020-S                  | Screw, Flng. Thrd. Frmng, M5 x 0.8 x 20                                  |
| 21          | KH-41-468-03                   | Washer, Spring, 1/4  |
| 22          | KH-24-090-05                   | Lever, Choke   |
| 23          | KH-M-403025                    | Screw, Hex Cap, M4 x 0.7 x 25  |
| 24          | KH-M-446030-S                  | Nut, M4 x 0.7  |
| 25          | KH-24-468-20-S                 | Washer, Flat, 5mm  |
| 26          | KH-24-089-55-S                 | Spring, Governor   |
| 27          | KH-24-089-18<br>KH-24-089-25-S | Spring, Governor, Model i1046 ONLY<br>Spring, Governor, Model i1050 ONLY |

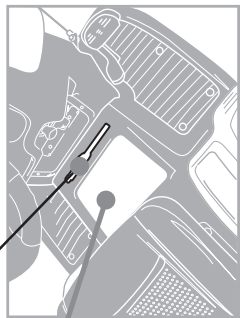
### Model i1046 Labels



### Model i1050 Labels



For Headlight  
 777X42426 Right Lens  
 777X42427 Left Lens



777D10496  
 In Molded On Hood

**Cub Cadet**

777D10494  
 In Molded On Hood

**Cub Cadet**

(QTY) 2 777D10623  
 On Both Sides Place  
 As Shown

**Time Saver i1050**

777D10608  
 Centered Over 777S32771

777S32771

777D01782  
 On Rear  
 Hitch Plate

777122702  
 On Dash Cluster

777D10491  
 On Rear Fender

**Cub Cadet**

777122707  
 Right Of  
 Gas Gauge

777S32815  
 On Hitch Plate

(QTY) 2 777S32807  
 On Both  
 Gear Tops

Gear Top

**WARNING**  
 SHIELD MISSING  
 REPLACE IMMEDIATELY

777D10501

777S30503

(QTY) 2 777D10624  
 Near Each Nozzle

777122679  
 Top Of Engine

(QTY) 2 777122708  
 Aside Trans.  
 Release Rods

777X42474  
 UNDER HOOD

**1050**

SAFETY OIL CAPACITY TABLE

| Model | Oil Capacity (Liters) | Oil Capacity (Quarts) |
|-------|-----------------------|-----------------------|
| i1050 | 11.5                  | 12.1                  |

www.cubcadet.com

(QTY) 2 777D10609  
 Front Of Deck

777122485

777S30015