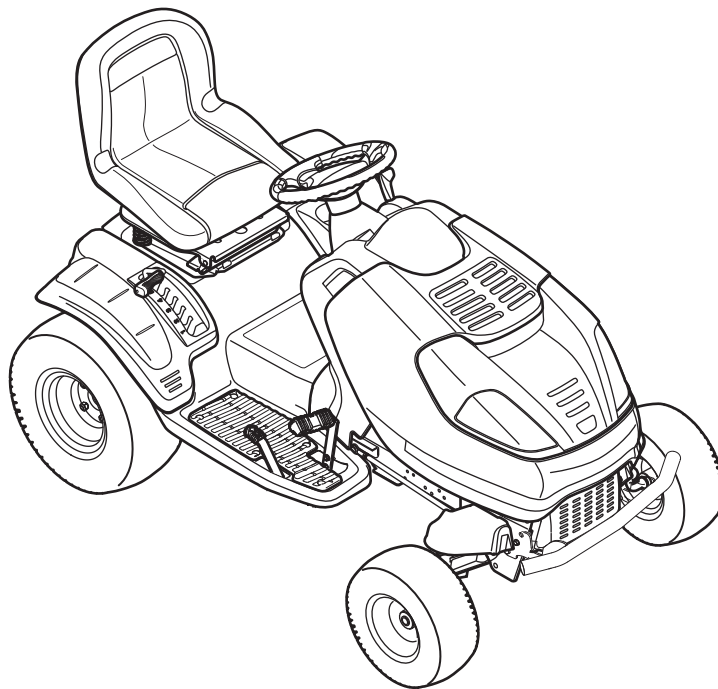

Cub Cadet®

PARTS MANUAL



Zero Turn Riding Mower

Models

i1046

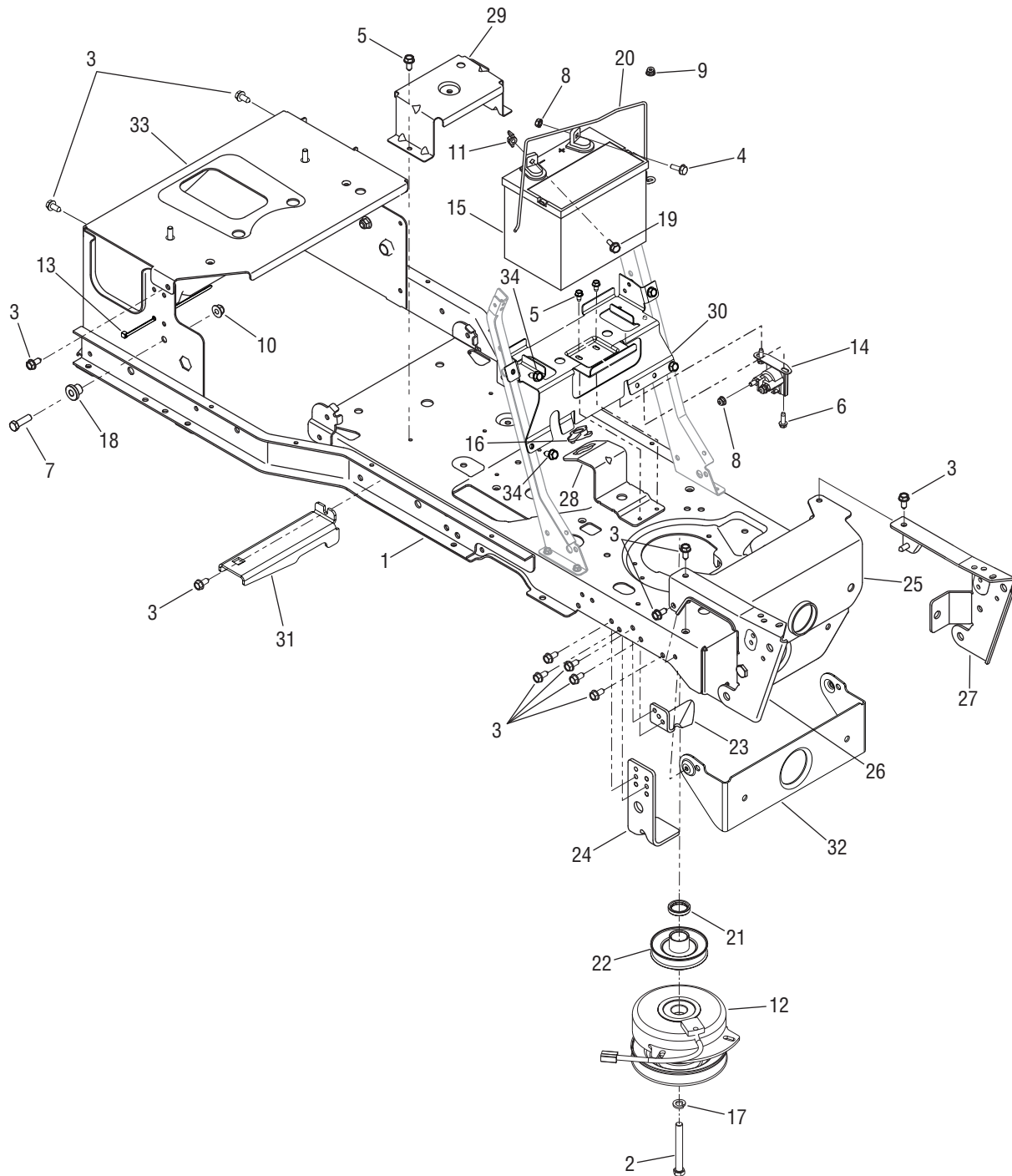
i1050

CUB CADET LLC, P.O. BOX 361131 CLEVELAND, OHIO 44136-0019

PRINTED IN U.S.A.

769-03739
1/2008

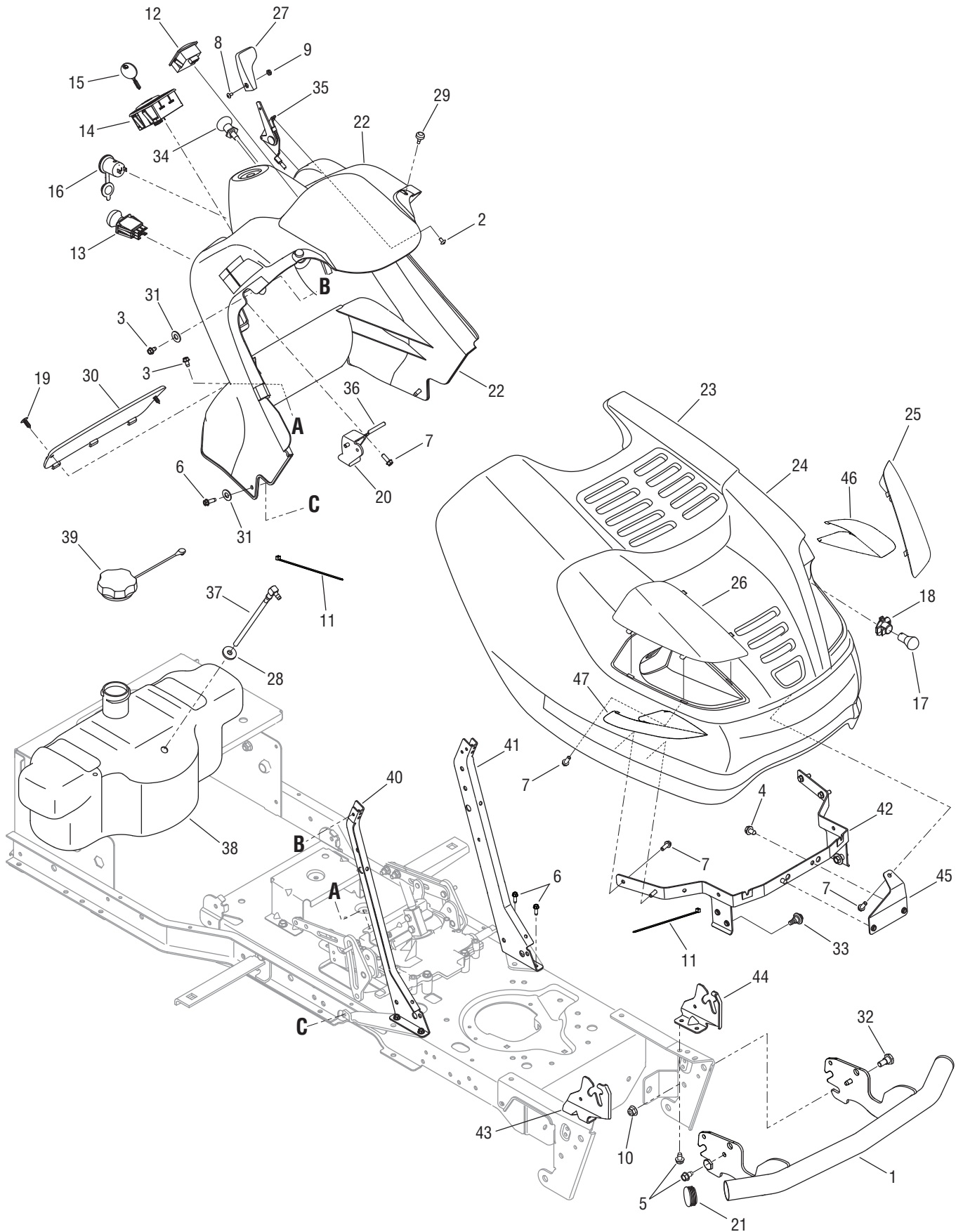
Frame, PTO & Battery



Frame, PTO & Battery

Ref. No.	Part No.	Description
1	683-04305B	Frame Assembly
2	710-04379A	Screw, Hex Cap Lock, 7/16-20 x 3.5 Gr5
3	710-04484	Screw, Hex Wash. Hd. Tapp, 5/16-18 x .75
4	710-04666	Screw, Hex Flange Hd. , 1/4-20 x .75 Gr5
5	710-0599	Screw, Hex Wash. Hd. Tapp, 1/4-20 x .5
6	710-0642	Screw, Hex Wash. Hd. Tapp, 1/4-20 x .75
7	710-3005	Screw, Hex Cap, 3/8-16 x 1.25 Gr5
8	712-0271	Nut, Hex Sems, 1/4-20
9	712-04064	Nut, Hex Flange Insert Lock, 1/4-20 GrF
10	712-04065	Nut, Hex Flange Insert Lock, 3/8-16 GrF
11	712-3087	Nut, Wing, 1/4-20
12	717-04174A	Clutch, Electric PTO
13	725-0157	Cable Tie
14	725-04439	Solenoid, Start
15	925-1707D	Battery - Dry
16	731-05659	Bushing, Steering Shaft
17	736-0171	Washer, Lock, 7/16
18	738-04058	Screw, Shoulder, .38 x 1.0 x .7
19	738-1132	Screw, Shoulder, .25 x .15:1/4-20
20	747-04215	Strap, Battery
21	750-04763	Spacer, 1.37 x 1.00 x .25
22	756-0978B	Pulley, Engine
23	783-04419B	Bracket, Clutch
24	783-04467	Bracket, Deck Up-Stop
25	783-04806	Bracket, Pivot Bar
26	783-04844	Bracket, Pivot Support RH
27	783-04845	Bracket, Pivot Support LH
28	783-04868	Bracket, Steering Support
29	783-04910A	Bracket, Support Fender
30	783-05469	Bracket, Battery Support
31	783-05617	Bracket, Running Board Support
32	783-05760	Bracket, Pivot Bar Support
33	783-05850	Plate, Seat Frame
34	710-0726	Screw, Hex Wash. Hd. Tapp, 5/16-12 x .75
	725-04375A	Harness, Main Wire

Hood, Dash Panel & Fuel Tank

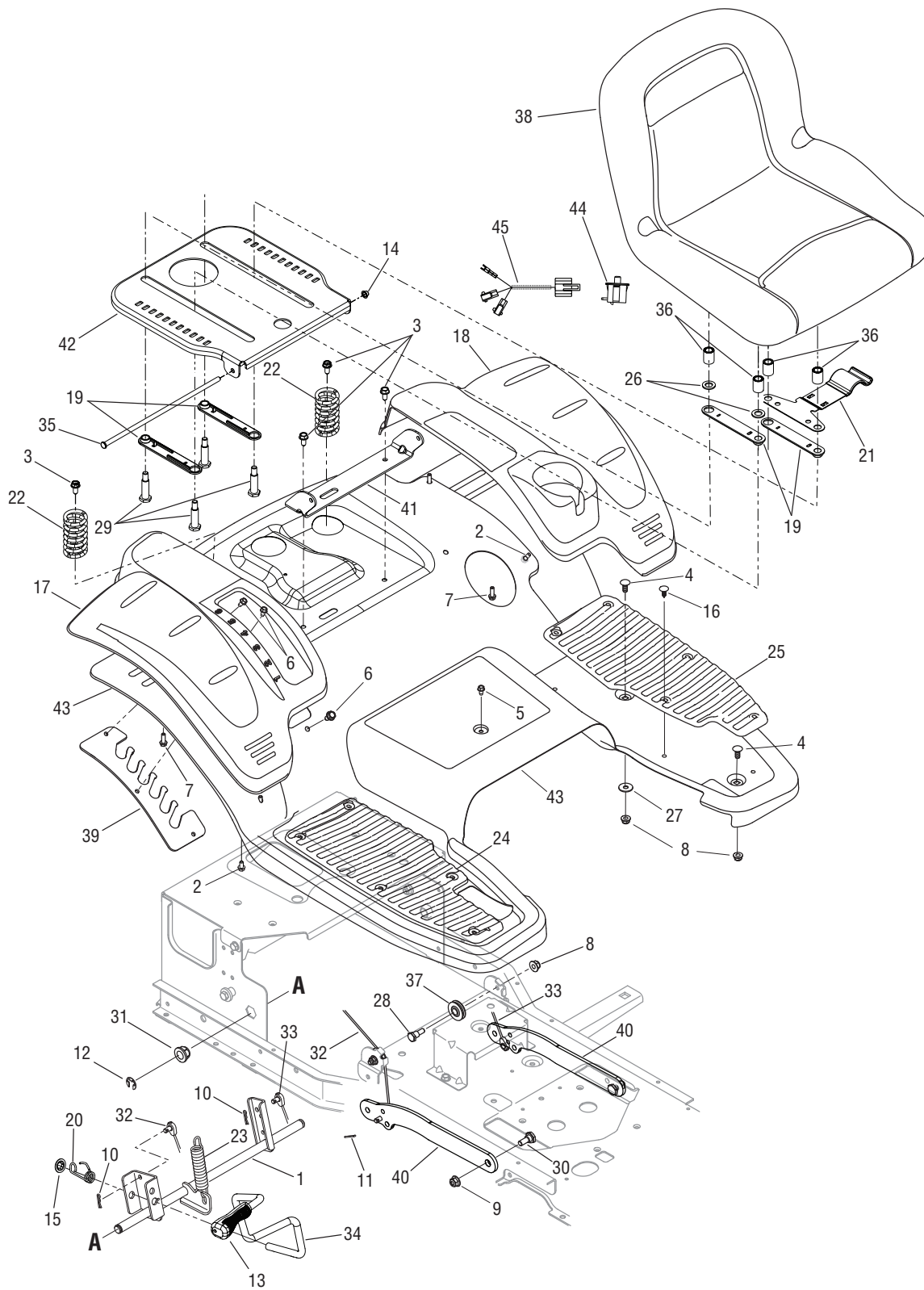


Hood, Dash Panel & Fuel Tank

Ref. No.	Part No.	Description
1	683-04219A	Bumper Assembly
2	710-0192	Screw, Truss Hd. Mach., 10-24 x .375
3	710-0599	Screw, Hex Wash Hd. Tapp, 1/4-20 x .5
4	710-0604A	Screw, Hex Wash Hd. Tapp, 5/16-18 x .625
5	710-0607	Screw, Hex Wash Hd. Tapp, 5/16-18 x .5
6	710-0642	Screw, Hex Wash Hd. Tapp, 1/4-20 x .75
7	710-0895	Screw, Hex Wash Hd. Tapp, 1/4-15 x .75
8	710-3217	Screw, Truss Hd. Mach., #8-32 x .375
9	712-0142	Nut, Hex, 8-32
10	712-04065	Nut, Hex Flange Insert Lock, 3/8-16 GrF
11	725-0157	Tie, Cable
12	725-04022B	Meter, Indicator/Service Monitor
13	725-04258	Switch, PTO
14	725-04227B	Switch, Ignition/Module
15	725-2054A	Key, Ignition Switch
16	725-2003	Receptacle, 12V Power
17	725-0963	Bulb, 12V Light
18	725-1649	Receptacle, Light
19	726-3046	Clip, Ratchet
20	731-04213	Lever, Dash Brake
21	731-05368	Cap, Bumper
22	731-05406	Panel, Dash
23	731-05434	Hood
24	731-05435	Plenum, Hood

Ref. No.	Part No.	Description
25	731-05525	Lense, Head Light LH
26	731-05526	Lense, Head Light RH
27	731-3161A	Knob, Throttle Control
28	735-0149	Bushing, Fuel Tank
29	735-0271A	Bumper
30	735-04076	Net, Storage
31	736-0463	Washer, Flat, .25 x .63 x .0515
32	738-0143	Bolt, Shoulder, .496 x .336:3/8-16
33	738-04091A	Screw, Shoulder, .43 x .29:TT5/16-18
34	746-04120	Cable, Choke Control
35	746-1100	Cable, Throttle Control
36	747-1155	Rod, Brake Lock Pivot
37	751-10442	Fitting, Fuel Pick Up
38	751-10692	Tank, Fuel
39	751-10703	Cap, Fuel Tank
40	783-04285F	Support, Dash, R.H.
41	783-04323F	Support, Dash, L.H.
42	783-04606B	Bracket, Hood Pivot
43	783-04840	Bracket, Hood Pivot RH
44	783-04841	Bracket, Hood Pivot LH
45	783-05162	Bracket, Hood Support
46	777X42426	Label, Reflector
47	777X42427	Label, Reflector

Seat, Fender & Deck Lift

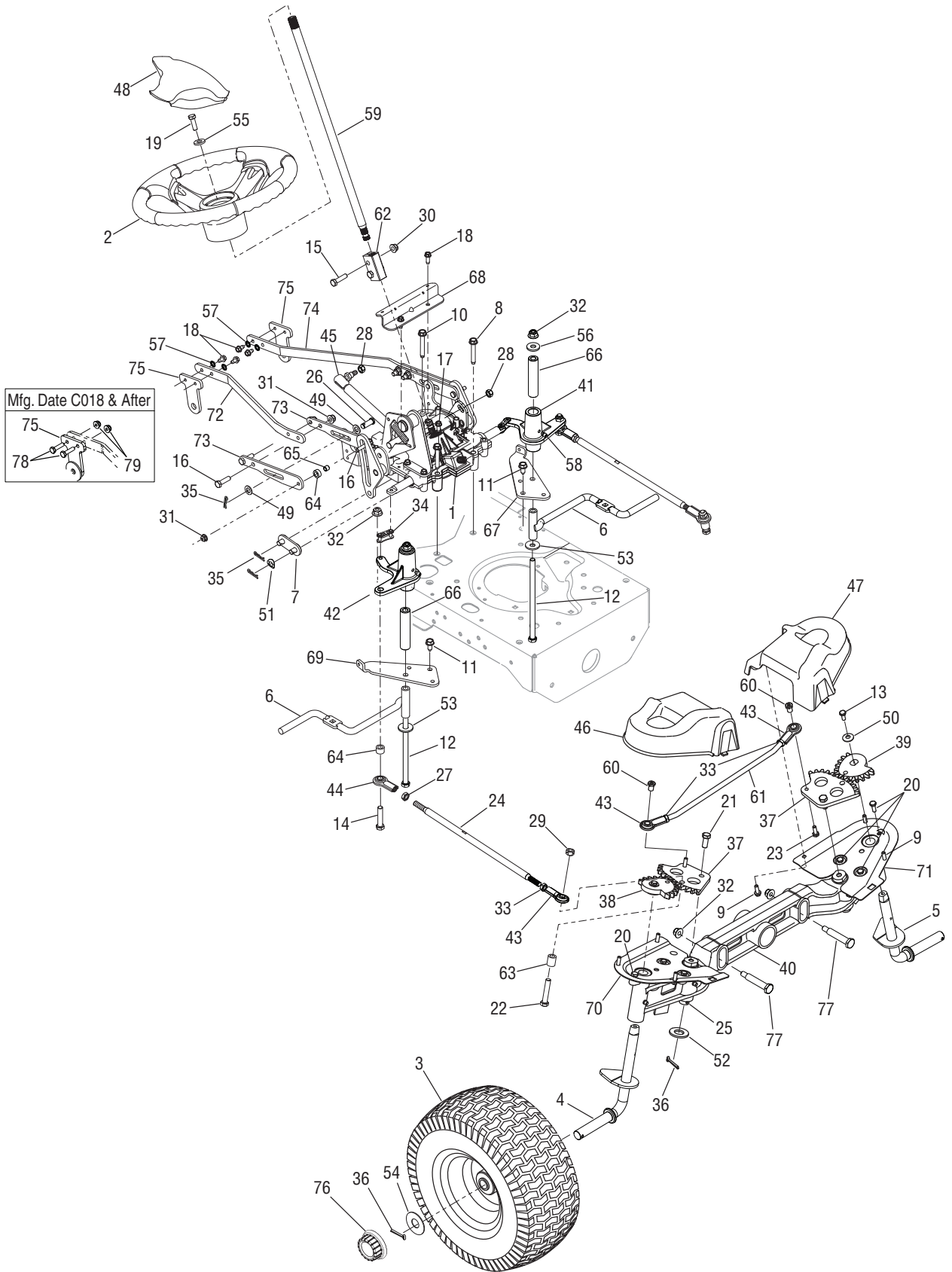


Seat, Fender & Deck Lift

Ref. No.	Part No.	Description
1	647-04095A	Shaft, Lift
2	710-04187	Screw, Hex Wash Hd. H/L, 1/4-15 x .5
3	710-04484	Screw, Hex Wash Hd. Tapp, 5/16-18 x .75
4	710-0451	Screw, Carriage, 5/16-18 x 75
5	710-0599	Screw, Hex Wash Hd. Tapp, 1/4-20 x .5
6	710-0726	Screw, Hex Wash Hd. Tapp, 5/16-12 x .75
7	710-0895	Screw, Hex Wash Hd. Tapp, 1/4-15 x .75
8	712-04063	Nut, Hex Flange Insert Lock, 5/16-18 GrF
9	712-04065	Nut, Hex Flange Insert Lock, 3/8-16 GrF
10	714-0104	Pin, Internal Cotter
11	714-0111	Pin, Cotter, 3/32 x 1.0
12	716-0106A	E-ring, .625 Shaft
13	720-0311	Grip, Handle
14	726-0135	Nut, Speed, .3125 Dia.
15	726-0221	Nut, Speed, .5
16	726-3046	Clip, Ratchet
17	731-05477	Cover, Rear Fender RH
18	731-05518	Cover, Rear Fender LH
19	731-06208	Spacer, Seat Adjust
20	732-04459	Spring, Lift Handle Torsion
21	732-04491	Spring, Seat Adjust
22	732-04508	Spring, Compression, 1.71 x 3.25 x .23
23	732-0826A	Spring, Extension, .865 x 4.68

Ref. No.	Part No.	Description
24	735-04078A	Pad, Foot RH
25	735-04109	Pad, Foot LH
26	736-0192	Washer, Flat, .535 x .93 x .09
27	736-3078	Washer, Flat, .344 x 1.0 x .063 HT
28	738-0138A	Bolt, Shoulder, .496 x 2.5:3/8-16
29	738-0373	Bolt, Shoulder, .496 x 1.525:3/8-16
30	738-0380	Bolt, Shoulder, .5 x .27:3/8-16
31	741-0225	Bearing, Hex Flange,
32	746-04369	Cable, Lift, 16.16 Lg
33	746-0968	Cable, Lift, 16.16 Lg
34	747-04701	Handle, Lift
35	747-04821	Rod, Seat, 5/16 x 11.62
36	750-04945	Spacer, .51 x .75 x 1.0
37	756-1154	Pulley, Roller
38	757-04030A	Seat, High Back
39	783-04977A	Plate, Deck Lift Index
40	783-05546	Arm, Deck Lift
41	783-05816	Bracket, Seat Pivot
42	783-05817	Plate, Seat Mounting
43	783-05865	Fender, Rear
44	725-04040	Switch, Seat
45	725-04658	Harness, Seat Switch Jumper

Steering Controls & Front Axle

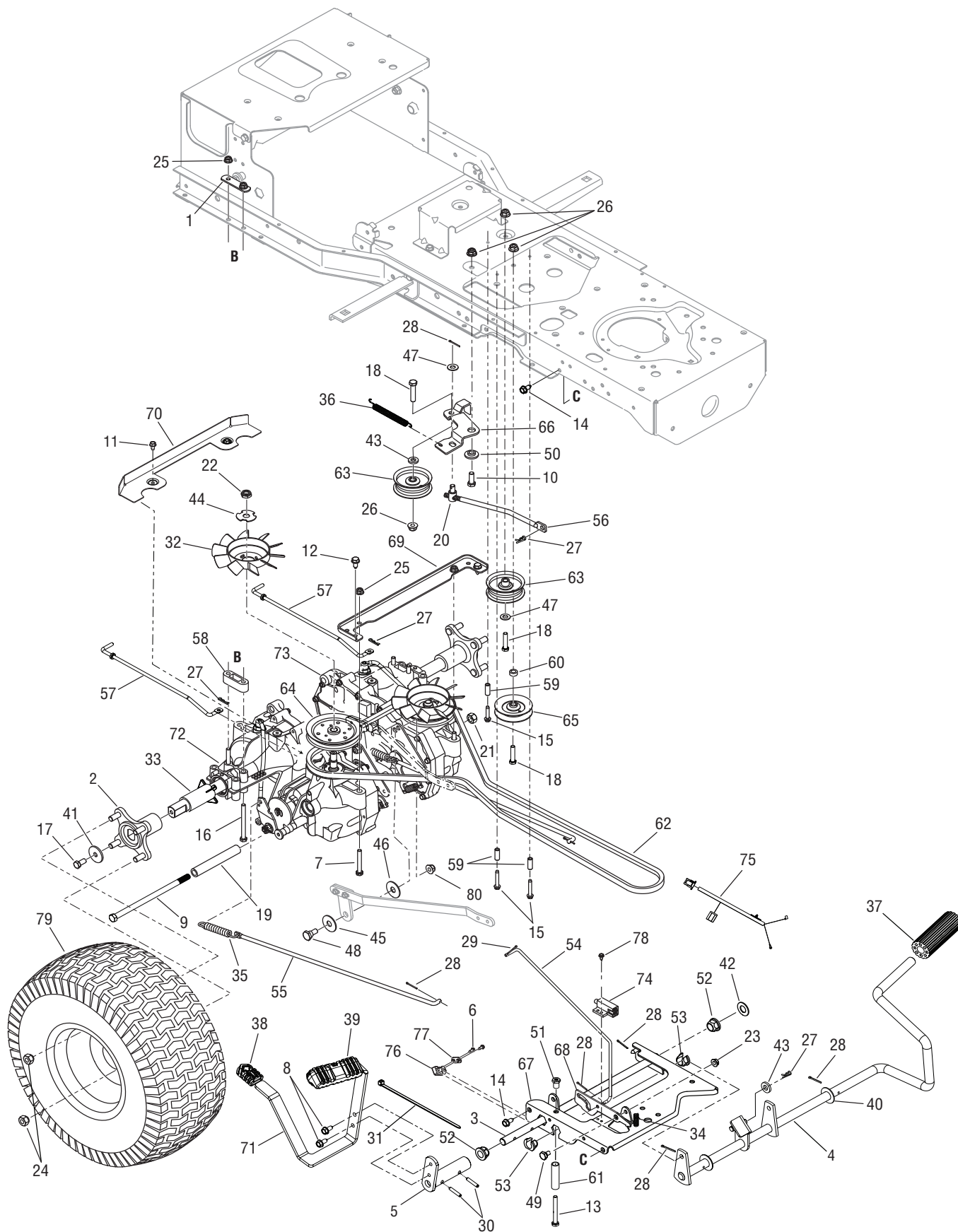


Steering Controls & Front Axle

Ref. No.	Part No.	Description
1	618-04634	Steering Assembly, Steering/Hydro
2	631-04008A	Wheel Assembly, Steering
3	N/A 734-1731 737-0224 941-04137 934-0255 634-04104A	Wheel Assembly Tire, 15 x 6 x 6 Grease Fitting Bearing, Ball Valve, Tubeless Air Rim Assembly
4	647-04062	Axle Assembly, LH
5	647-04063	Axle Assembly, RH
6	647-04080A	Rod, Fender Support
7	683-04332	Link, Steering Box/Hydro
8	710-04006	Screw, Hex Wash Hd. Tapp, 5/16-18 x 2.0
9	710-04187	Screw, Hex Wash Hd. Hi/Lo, 1/4-15 x .5
10	710-04389	Screw, Hex Wash Hd. Tapp, 5/16-18 x 2.25
11	710-04484	Screw, Hex Wash Hd. Tapp, 5/16-18 x .75
12	710-04692	Screw, Hex Cap, 3/8-16 x 7.25 Gr5
13	710-0513	Screw, Hex Cap Lock, 1/4-28 x .625 Gr5
14	710-0520	Screw, Hex Cap, 3/8-16 x 1.5 Gr5
15	710-0528	Screw, Hex Cap, 5/16-18 x 1.25 Gr5
16	710-0597	Screw, Hex Cap, 1/4-20 x 1.0 Gr5
17	710-0599	Screw, Hex Wash Hd. Tapp, 1/4-20 x .5
18	710-0642	Screw, Hex Wash Hd. Tapp, 1/4-20 x .75
19	710-0650	Screw, Hex Wash Hd. Tapp, 5/16-18 x .875
20	710-3015	Screw, Hex Cap, 1/4-20 x .75 Gr5
21	710-3119	Screw, Hex Cap Lock, 3/8-16 x .75 Gr5
22	710-3144	Screw, Hex Cap, 3/8-16 x 2.0 Gr5
23	710-3296	Screw, Hex Cap Lock, 1/4-20 x .75 Gr5
24	711-04472	Link, Drag
25	711-04562	Shaft, Steering Pivot Gear
26	711-04722	Pin, Clevis, .375 x .969 HT
27	712-0312A	Nut, Jam, 3/8-24 LH Thrd
28	712-0365	Nut, Hex Lock, M8 x 1.25 Gr9
29	712-0375	Nut, Hex Lock, 3/8-16
30	712-04063	Nut, Hex Insert Flange Lock, 5/16-18 GrF
31	712-04064	Nut, Hex Insert Flange Lock, 1/4-20 GrF
32	712-04065	Nut, Hex Insert Flange Lock, 3/16-16 GrF
33	712-3001	Nut, Hex Jam, 3/8-24 Gr2
34	713-04037	Link, Connecting
35	714-0104	Pin, Internal Cotter
36	714-04039	Pin, Cotter, 5/32 x 1.25
37	717-04274A	Gear, Spur, 12T
38	717-04275A	Gear, Spur, RH 13T
39	717-04282A	Gear, Spur, LH 13T
40	719-04170	Axle, Pivot Bar

Ref. No.	Part No.	Description
41	719-04287	Arm, Steering, LH
42	719-04288	Arm, Steering, RH
43	723-04035	End, Ball Joint Rod
44	723-04036	End, Ball Joint Rod, LH Thrd.
45	727-0626A	Cylinder, Damper
46	731-05476	Cover, Steering Gear, RH
47	731-05618	Cover, Steering Gear, LH
48	731-04532A	Cover, Steering Wheel
49	736-0185	Washer, Flat, .375 x .738.063
50	736-0270	Washer, Bell, .265 x .75 x .062
51	736-0286	Washer, Spring, .39 x .75 x .010
52	736-0315	Washer, Flat, .76 x 1.5 x .12
53	736-0452	Washer, Bell, .396 x 1.14 x .095
54	736-0866	Washer, Flat, .755 x 1.92 x .060
55	736-3004	Washer, Flat, .406 x .875 x .105
56	736-3052	Washer, Flat, .406 x 1.0 x .105
57	736-0222	Washer, External Lock, 1/4
58	737-3000	Fitting, Grease
59	738-04189	Shaft, Steering, .625 x 17.281
60	738-04240	Nut, Shoulder, .375 x .5
61	747-04496	Rod, 3/8-24 x 14.4 Lg
62	748-04139	Block, Steering Shaft
63	750-04676	Spacer, .385 x .63 x .75
64	750-04776	Spacer, .380 x .625 x .265
65	750-04777	Spacer, .26 x .372 x .33
66	750-04855	Spacer, .385 x .75 x 3.47
67	783-04798	Bracket, Steering Support, LH
68	783-04799	Bracket, Steering Support, Upper
69	783-05140	Bracket, Steering Support, RH
70	783-05184	Plate, Base Cover, RH
71	783-05185	Plate, Base Cover, LH
72	783-05380	Link, Steering/Hydro RH
73	783-05381	Bracket, Hydro/Steering Adjustment
74	783-05404	Link, Steering/Hydro LH
75	783-05446 783-05446A	Bracket, Steering Link - Mfg. Date B298 & before Bracket, Steering Link - Mfg. Date C018 & After
76	731-3020	Hub Cap
77	738-1011A	Bolt, Shoulder, .5 x 2.23:3/8-16
78	710-0597	Screw, Hex Cap, 1/4-20 x 1.0 Gr5 - Mfg. Date C018 & After
79	712-04064	Nut, Hex Insert Flange Lock, 1/4-20 - Mfg. Date C018 & After

Transmission Drive & Controls

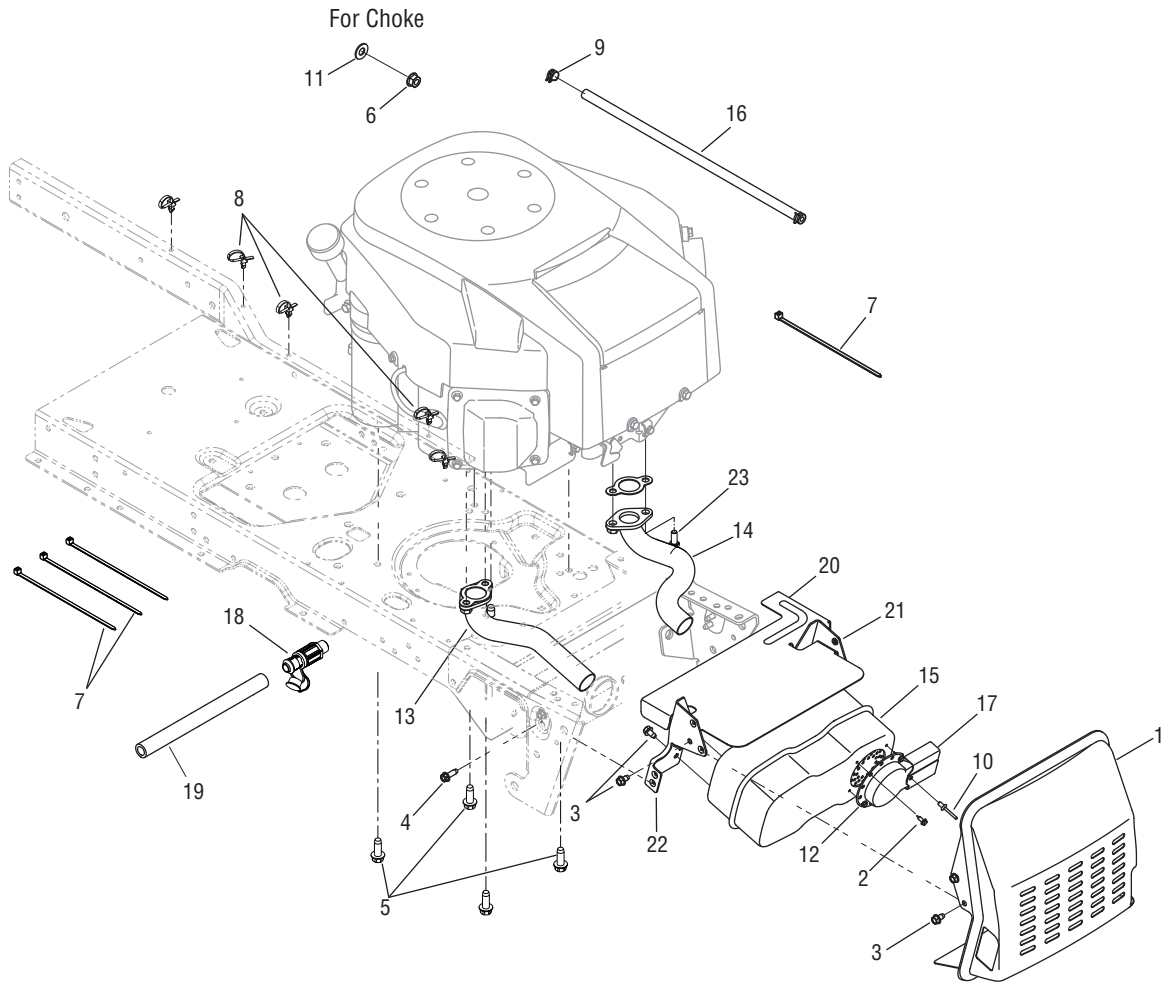


Transmission Drive & Controls

Ref. No.	Part No.	Description
1	17840	Bracket, Transmission Mounting
2	618-04317	Hub, Wheel
3	647-04094	Shaft Assembly, Hydro Control Pedal
4	647-04141	Shaft Assembly, Brake Control
5	683-04314A	Bracket, Pedal
6	710-0227	Screw, Hex Wash Hd. Tapp, #8-18 x .5
7	710-0395	Screw, Hex Cap, 5/16-18 x 2.25 Gr5
8	710-04484	Screw, Hex Wash Hd. Tapp, 5/16-12 x .75
9	710-04648	Screw, Hex Cap, 7/16-14 x 8.5 Gr5
10	710-0514	Screw, Hex Cap, 3/8-16 x 1.0 Gr5
11	710-0599	Screw, Hex Wash. Hd. Tapp, 1/4-20 x .5
12	710-0607	Screw, Hex Wash Hd. Tapp, 5/16-18 x .5
13	710-0641	Screw, Hex Cap, 1/4-20 x 2.25 Gr5
14	710-0726	Screw, Hex Wash Hd. Tapp, 5/16-12 x .75
15	710-1026	Screw, Hex Wash Hd. Tapp, 1/4-20 x .75
16	710-1266	Screw, Hex Cap, 5/16-18 x 3.5 Gr5
17	710-3119	Screw, Hex Cap Lock, 3/8-16 x .75 Gr5
18	710-3144	Screw, Hex Cap, 3/8-16 x 2.0 Gr5
19	711-04554	Spacer, .479 x .75 x 4.97
20	711-0832	Ferrule, 3/8-24 x .375 Dia.
21	712-0290	Nut, Hex Lock, 7/16-14 GrA
22	712-0346	Nut, Hex Jam Insert Lock, 1/2-20 Gr5
23	712-3004A	Nut, Hex Flange Lock, 5/16-18 Gr5
24	712-3050	Nut, Lug, 7/16-14
25	712-04063	Nut, Hex Flange Insert Lock, 5/16-18 GrF
26	712-04065	Nut, Hex Flange Insert Lock, 3/8-16 GrF
27	714-0104	Pin, Internal Cotter
28	714-0111	Pin, Cotter, 3/32 x 1/0
29	714-04040	Pin, Bowtie Cotter
30	715-0143	Pin, Spirol, .25 x 1.25
31	725-0157	Tie, Cable
32	731-05846	Fan, Hydro
33	731-06274	Sleeve, 1.015 x 2.6
34	732-0335	Spring, Compression, .405 x 1.17
35	732-0716C	Spring, Extension, .59 x 4.0
36	732-0814	Spring, Extension, .56 x 5.52
37	735-0239	Pad, Foot, 4.0 in. Lg
38	735-04117	Pad, Reverse Pedal
39	735-04118	Pad, Forward Pedal
40	736-0187	Washer, Flat, .64 x 1.24 x .06 HT
41	736-0227	Washer, Flat, .39 x 1.5 x .134
42	736-0290	Washer, Flat, .625 x 1.0 x .067 HT

Ref. No.	Part No.	Description
43	736-3010	Washer, Flat, .407 x .812 x .135 HT
44	736-04263	Washer, Hydro Lock
45	736-3027	Washer, Flat, .531 x 1.75 x .09
46	736-3039	Washer, Flat, .406 x 1.5 x .105
47	736-3050	Washer, Flat, .406 x .812 x .051
48	738-0143	Bolt, Shoulder, .496 x .336: 3/8-16
49	738-0155	Bolt, Shoulder, .435 x .160 : 5/16-18
50	738-0347	Spacer, Shoulder, .625 ID x .169
51	738-04240	Nut, Shoulder, .375 Dia x .5
52	741-0225	Bearing, Hex Flange
53	741-3065B	Bearing, Hex Flange, .625 ID Split
54	747-04562A	Rod, Park Brake
55	747-04584A	Rod, Brake
56	747-04598	Rod, Drive Engage
57	747-04729	Rod, Hydro Bypass
58	748-04155	Spacer, T-Axle
59	750-04456	Spacer, .26 x .372 x 1.42
60	750-04776	Spacer, .38 x .625 x .265
61	750-05026	Spacer, .375 x .5 x 2.0
62	754-04134	V-Belt, 88.4
63	756-04224	Pulley, Flat Idler, 2.75
64	756-04274	Pulley, V Type, 4.5
65	756-04325	Pulley, V Type Idler, 3.06
66	783-04570A	Arm, Idler
67	783-04881A	Bracket, Foot Pedal Support
68	783-04981	Bracket, Park Brake
69	783-05330A	Bracket, Support
70	783-05473	Bracket, Belt Keeper
71	783-05880	Pedal, Hydro Drive
72	918-04339A	Transmission, Hydro RH
73	918-04342A	Transmission, Hydro LH
74	725-04363	Switch, Interlock (Brake)
75	725-04374	Harness, Reverse Jumper
76	725-1644	Switch, Reverse
77	726-0320	Plate, Insulator Nut
78	738-04237A	Screw, Shoulder, #10-32 : .5
79	N/A 734-1730 934-0255 634-0246A	Wheel Assembly Tire, 20 x 8 x 8 Valve, Tubeless Air Rim Assembly, Rear
80	712-0375	Nut, Hex Lock, 3/8-16

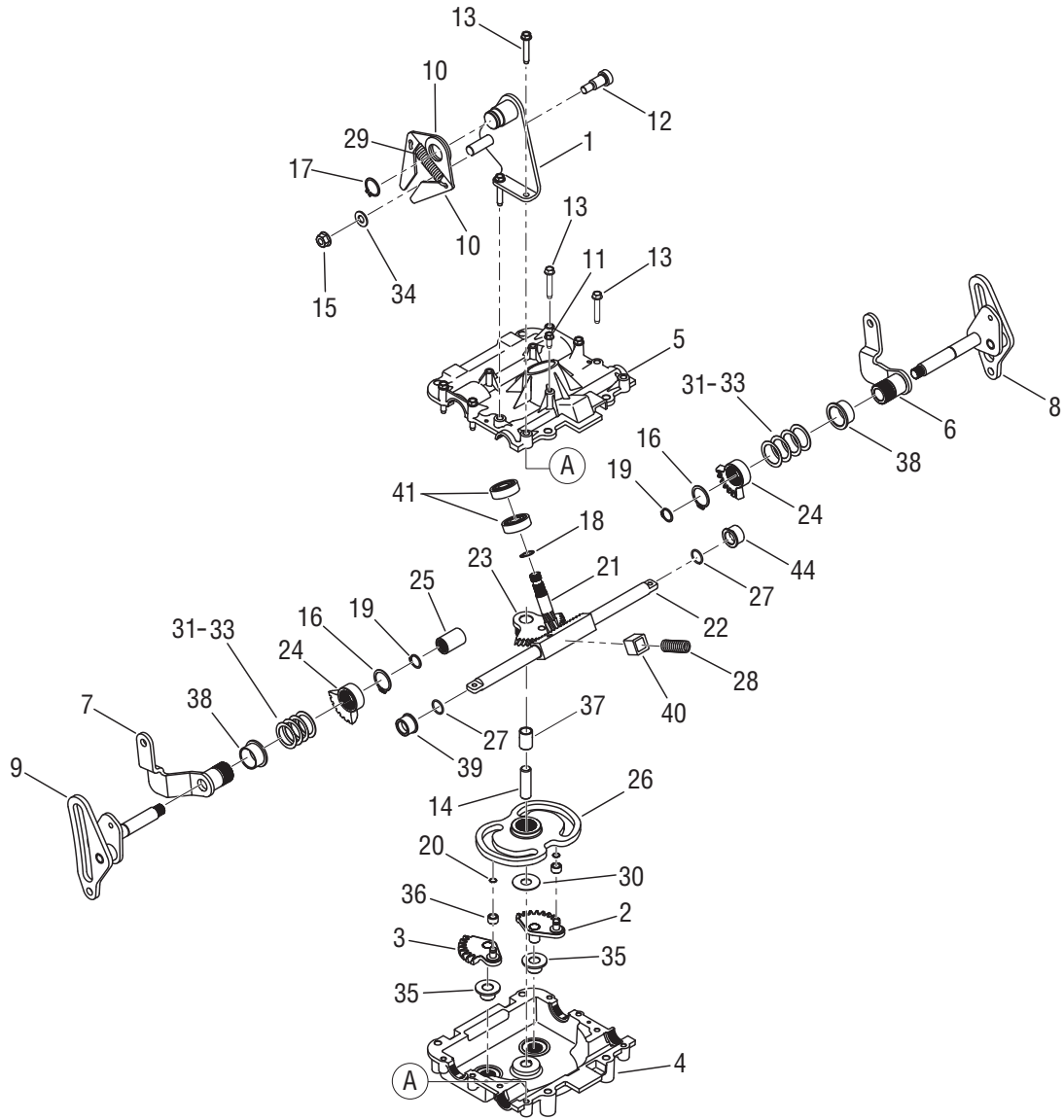
Engine Mounting & Connections



Engine Mounting & Connections

Ref. No.	Part No.	Description
1	683-04256	Shield, Muffler
2	710-0227	Screw, Hex Wash Hd. Tapp, #8-18 x .5
3	710-0599	Screw, Hex Wash Hd. Tapp, 1/4-20 x .5
4	710-0642	Screw, Hex Wash Hd. Tapp, 1/4-20 x .75
5	710-04683	Screw, Hex Sems Tapp, 3/8-16 x 1.0
6	712-3005	Nut, Hex Flange Lock, 3/8-16 Gr5
7	725-0157	Tie, Cable
8	726-0154	Tie, Push Mount Cable
9	726-0205	Clamp, Hose
10	728-04000	Rivet, Pop, .188 x .3
11	736-0300	Washer, Flat, .406 x .875 x .059
12	751-0564B	Deflector, Muffler
13	751-10006	Pipe, Exhaust RH
14	751-10007	Pipe Exhaust LH
15	751-10161	Muffler, Dual Inlet
16	751-10349	Hose, Fuel ; Low Permeation, 51 inches
17	751-10353	Deflector, Muffler
18	751-10517	Valve, Oil Drain
19	751-3141	Hose, Oil Drain Extension
20	783-04783A	Shield, Heat
21	783-04870	Bracket, Muffler LH
22	783-04872	Bracket, Muffler RH
23	710-3008	Screw, Hex Cap, 5/16-18 x .75 Gr5
	737-3030A	Oil, 10W30 Engine

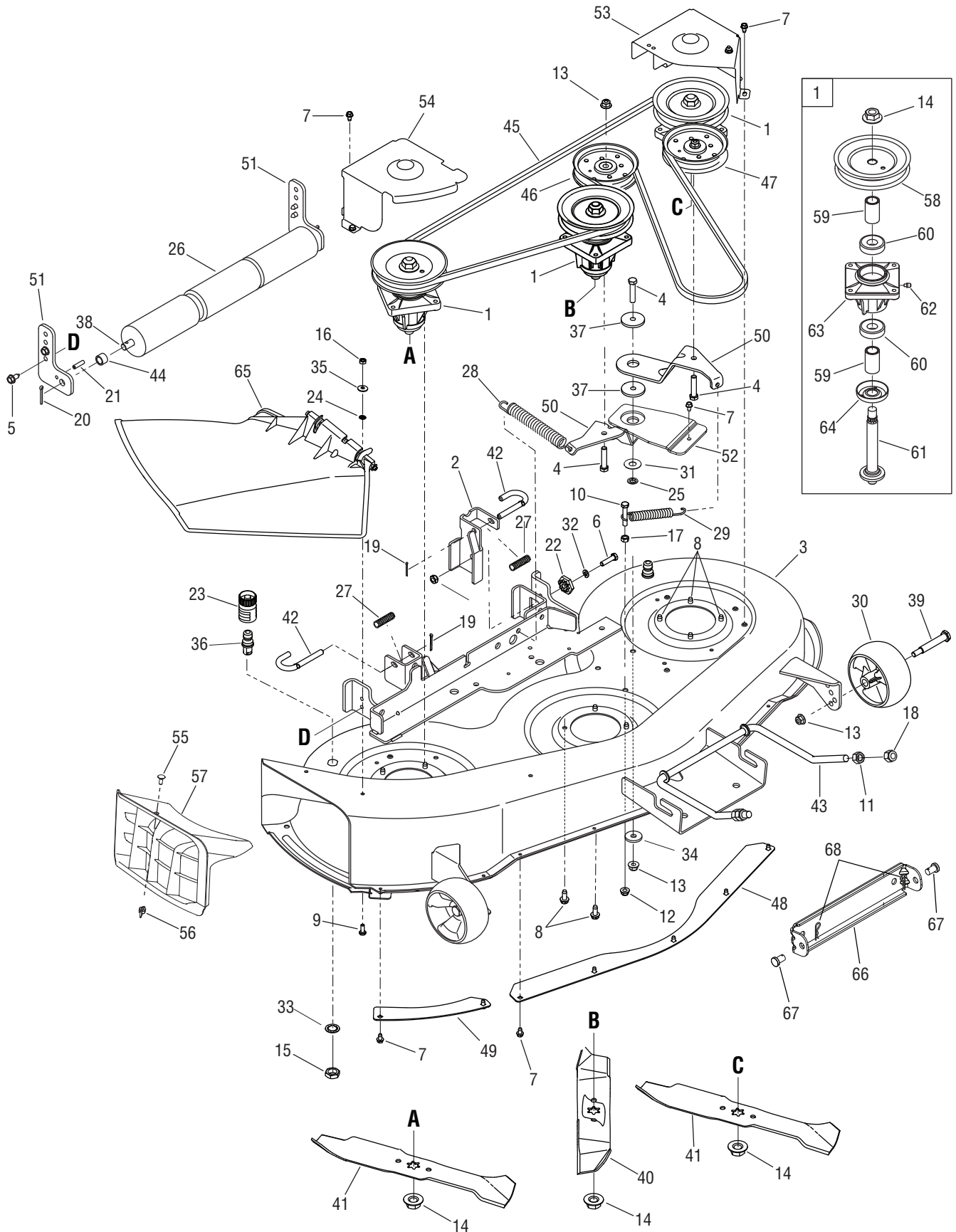
Steering Gear Box



Steering Gear Box

Ref. No.	Part No.	Description
1	607-04243	Bracket, Steering Box Return
2	617-04036	Gear, Bevel LH
3	617-04037	Gear, Bevel RH
4	619-04153 737-0148	Housing, Steering Lower Grease, Darina
5	619-04206	Housing, Steering Upper
6	647-04083	Arm, Hydro LH
7	647-04084	Arm, Hydro RH
8	647-04085	Cam, Hydro LH
9	647-04086	Cam, Hydro RH
10	703-2441	Arm, Neutral
11	710-0642	Screw, Hex Wash Hd. Tapp, 1/4-20 x .5
12	710-04040	Screw, Shoulder, .497 x .75 : 3/8-16
13	710-0778	Screw, Hex Wash Hd. Tapp, 1/4-20 x 1.5
14	711-04587	Shaft, Steering
15	712-3005	Nut, Hex Flange Lock, 3/8-16 Gr5
16	716-0102	Ring, Snap, 1.0 Dia. Shaft
17	716-0111	Ring, External Retaining, .875 Shaft
18	716-0114	Ring, Retaining, .56 Dia. Shaft
19	716-0115	Ring, Retaining, .56 Dia. Shaft
20	716-04066	Ring, Retaining, .31125 Dia. Shaft
21	717-04318	Gear, Pinion, 7T
22	717-04319	Gear, Synchro Rack
23	717-04328	Gear, Steering, 17T
24	717-04330	Gear, Steering, 26T
25	718-04229	Tube, Coupler
26	718-04269	Cam, Hydro Steering
27	721-04186	O-Ring, .625 x .07
28	732-04523	Spring, Compression, .531 x 1.25
29	732-1162	Spring, Extension, .56 x 2.31 x .105
30	736-04237	Washer, Flat, .508 x 1.32 x .04
31	736-04257	Washer, Flat, 1.015 x 1.375 x .005
32	736-04258	Washer, Flat, 1.015 x 1.375 x .010
33	736-04259	Washer, Flat, 1.015 x 1.375 x .015
34	736-0864	Washer, Thrust, .375 x .812 x .06
35	741-04203	Bearing, Flange, .5 x .7
36	741-04204	Bearing, Sleeve, .437 x .3425
37	741-04206	Bearing, Sleeve, .623 x .5025 x .25
38	741-04231	Bearing, Sleeve, 1.2 x 1.0
39	741-04235	Bearing, Flange, .625 x .875
40	741-04257	Bearing, Caster Rack
41	741-0747	Bearing, Ball, .5625 x 1.375 x .4375

46" Mowing Deck

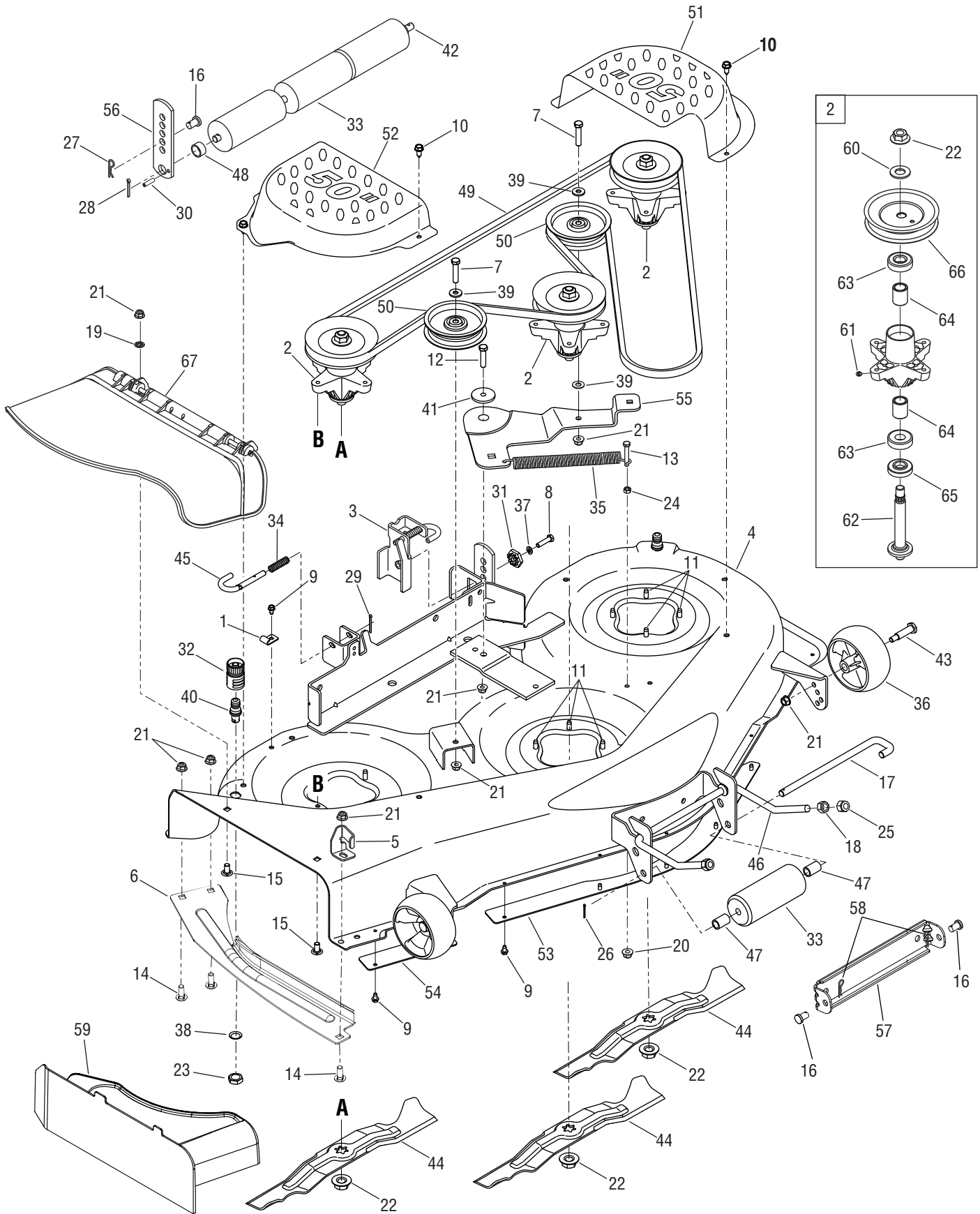


46" Mowing Deck

Ref. No.	Part No.	Description
1	918-0660	Spindle Assembly
2	683-0254B	Bracket, Deck Hanger, LH
3	683-04335	Deck Assembly
4	710-0347	Screw, Hex Cap, 3/8-16 x 1.75 Gr5
5	710-04484	Screw, Hex Wash. Hd. Tapp, 5/16-18 x .75
6	710-0528	Screw, Hex Cap, 5/16-18 x 1.25 Gr5
7	710-0599	Screw, Hex Wash. Hd. Tapp, 1/4-20 x .5
8	710-1260A	Screw, Hex Wash. Hd. Tapp, 5/16-18 x .75
9	710-3015	Screw, Hex Cap, 1/4-20 x .75 Gr5
10	710-3103	Screw, Hex Cap, 5/16-18 x 2.0 Gr5
11	712-0206	Nut, Hex, 1/2-13 Gr5
12	712-04063	Nut, Hex Flange Insert Lock, 5/16-18 GrF
13	712-04065	Nut, Hex Flange Insert Lock, 3/8-16 GrF
14	712-0417A	Nut, Hex Flange, 5/8-18
15	712-0641	Nut, Hex, M16-1.5
16	712-3006	Nut, Hex, 1/4-20 Gr5
17	712-3010	Nut, Hex, 5/16-18 Gr5
18	712-3083	Nut, Hex Insert Lock, 1/2013
19	714-0111	Pin, Cotter, 3/32 x 1.0
20	714-0162	Pin, Cotter, 5/32 x 1.25
21	715-0108	Pin, Spring, 1/4 x 1.0
22	717-04074	Gear, Deck Adjust
23	721-04041	Adapter, Water Nozzle
24	726-0233	Nut, Push, .25 x .5
25	726-0269	Nut, Push On Speed, 3/8 Thrd.
26	731-05679	Roller, Front
27	732-0306A	Spring, Compression, .531 x 1.75
28	732-0594A	Spring, Extension, .91 x 7.33
29	732-0826A	Spring, Extension, .865 x 4.68
30	734-04155	Wheel, Deck Ball, 5.0
31	736-0100	Washer, Flat, .531 x 1.25 x .036
32	736-0119	Washer, Lock, 5/16
33	736-0225	Washer, Internal Tooth Lock, 5/8
34	736-0247	Washer, Flat, .406 x 1.25 x .157 HT
35	736-0270	Washer, Belleville, .265 x .75 x .062
36	737-04003C	Nozzle, Deck Wash

Ref. No.	Part No.	Description
37	738-04162a	Spacer, Shoulder, .884 x .190
38	738-04235	Shaft, 1/2 Dia x 20.8
39	738-3056	Bolt, Shoulder, .496 x 2.5:3/8-16
40	942-04124	Blade, 3 in 1 Star, 14.88
41	942-04125	Blade, 3 in 1 Star, 16.28
42	747-1116	Rod, Deck Release
43	747-1130B	Rod, Deck Front Hanger
44	750-1206	Spacer, .542 x .75 x .5
45	754-04153	V-Belt, Type A x 122
46	756-04129	Pulley, Idler, 4.25 Dia
47	756-0627D	Pulley, Idler, 3.5 Dia.
48	783-0141	Skirt, Deck Center
49	783-0142	Skirt, Deck RH
50	783-05118	Bracket, Idler
51	783-05397	Bracket, Roller Height
52	783-05463	Bracket, Idler Support
53	783-0747B	Cover, Deck Belt LH
54	783-0805C	Cover, Deck Belt RH
55	710-0134	Screw, Carriage, 1/4-20 x .62 Gr2
56	712-3087	Nut, Wing, 1/4-20
57	731-05264	Plug, Mulching
58	756-1188	Pulley, Deck, 5.75 Dia
59	750-0952	Spacer, .792 x 1.06 x 1.8
60	741-0919	Bearing, Ball
61	738-1186	Shaft, Spindle, 6.05 Lg
62	737-3000	Fitting, Lube
63	619-0042A	Housing, Spindle
64	17983	Shield, Bearing
65	931-1032B 703-1693A 711-0792 726-0106 732-0602A	Chute Assembly, Discharge Bracket, Hinge Mounting Pin, Hinge, .25 x 6.75 Nut, Push Cap Speed, 1/4 Spring, Torsion
66	783-0720C	Bracket, Front Deck Rod
67	711-0332	Pin, Clevis, .5 x .78
68	714-04023	Pin, Internal Cotter

50" Mowing Deck

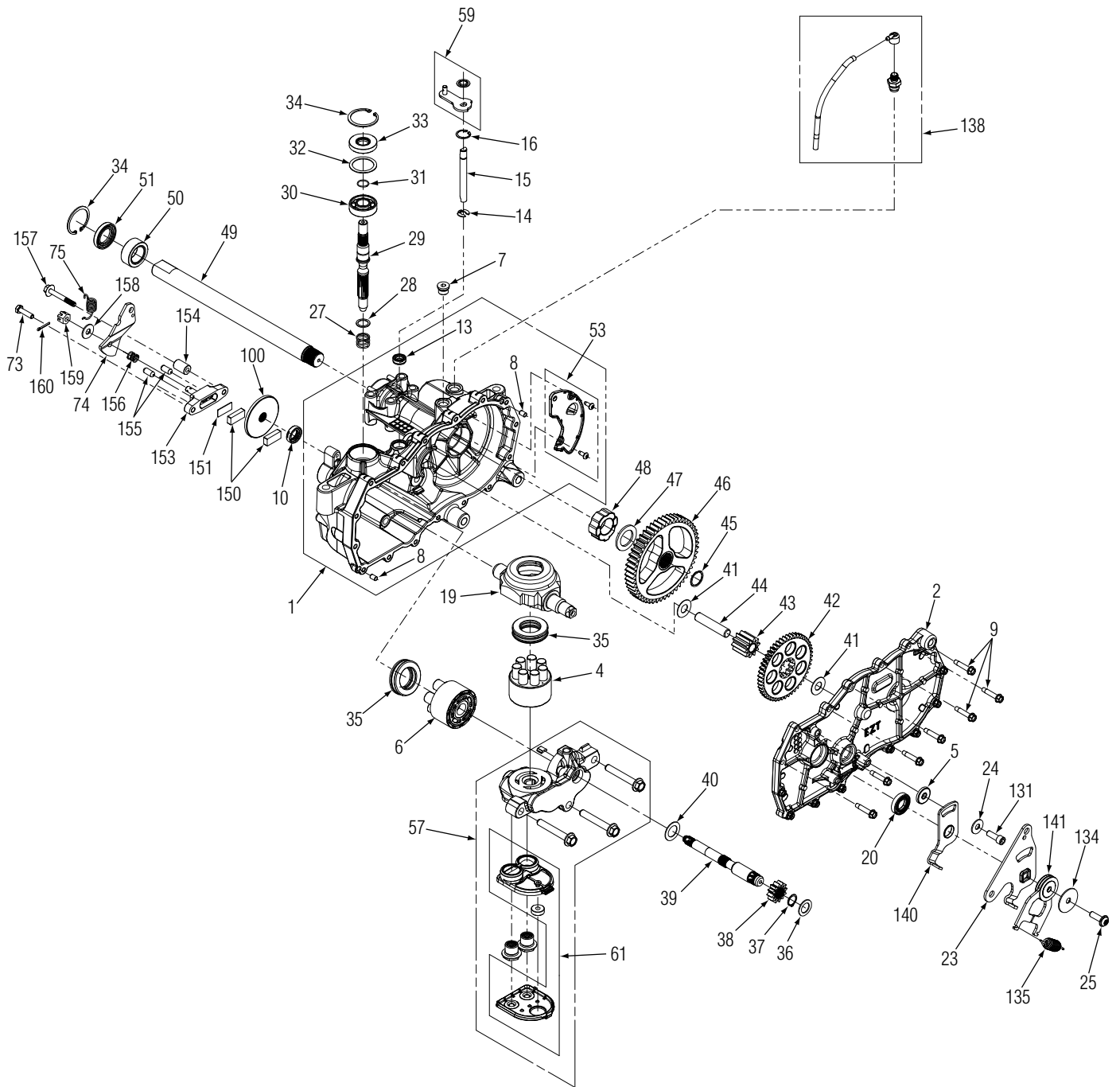


50" Mowing Deck

Ref. No.	Part No.	Description
1	16606	Bracket, Hook Retainer
2	618-04126A	Spindle Assembly
3	683-0254B	Bracket, Deck Hanger LH
4	683-04336A	Deck Assembly
5	703-3279	Bracket, Chute Stop
6	703-3511A	Guard, Finger
7	710-0347	Screw, Hex Cap, 3/8-16 x 1.75 Gr5
8	710-0528	Screw, Hex Cap, 5/16-18 x 1.25 Gr5
9	710-0599	Screw, Hex Wash. Hd. Tapp, 1/4-20 x .5
10	710-0607	Screw, Hex Wash. Hd. Tapp, 5/16-18 x .5
11	710-1260A	Screw, Hex Wash. Hd. Tapp, 5/16-18 x .75
12	710-3005	Screw, Hex Cap, 3/8-16 x 1.25 Gr5
13	710-3103	Screw, Hex Cap, 5/16-18 x 2.0 Gr5
14	710-3168	Screw, Carriage, 3/8-16 x 1.0
15	710-3178	Screw, Carriage, 3/8-16 x .75
16	711-0332	Pin, Clevis, .5 x .78
17	711-1737	Pin, Roller, .5 x 10.06
18	712-0206	Nut, Hex, 1/2-13 Gr5
19	712-0229	Nut, Push, 3/8
20	712-04063	Nut, Hex Flange Insert Lock, 5/16-18 GrF
21	712-04065	Nut, Hex Flange Insert Lock, 3/8-16 GrF
22	712-0417A	Nut, Hex Flange, 5/8-18
23	712-0641	Nut, Hex, M16-1.5
24	712-3010	Nut, Hex, 5/16-18 Gr5
25	712-3083	Nut, Hex Insert Lock, 1/2013
26	714-0111	Pin, Cotter, 3/32 x 1.0
27	714-0145	Pin, Click, .092 x 1.64
28	714-0162	Pin, Cotter, 5/32 x 1.25
29	714-0470	Pin, Cotter, 1/8-1.25
30	715-0108	Pin, Spring, 1/4 x 1.0
31	717-04074	Gear, Deck Adjust
32	721-04041	Adapter, Water Nozzle
33	731-05679	Roller, Front
34	732-0306A	Spring, Compression, .531 x 1.75
35	732-0459C	Spring, Extension, .94 x 6.74

Ref. No.	Part No.	Description
36	734-04155	Wheel, Deck Ball, 5.0
37	736-0119	Washer, Lock, 5/16
38	736-0225	Washer, Internal Tooth Lock, 5/8
39	736-0300	Washer, Flat, .406 x .875 x .059
40	737-04003C	Nozzle, Deck Wash
41	738-04162A	Spacer, Shoulder, .884 x .190
42	738-04235	Shaft, .5 x 20.8
43	738-3056	Bolt, Shoulder, .496 x 2.5:3/8-16
44	942-04053C	Blade, 2 in 1 Star, 17.9
45	747-1116	Rod, Deck Release
46	747-1324	Rod, Deck Front Hanger
47	750-0151	Spacer, .55 x .75 x 1.125
48	750-1206	Spacer, .542 x .75 x .5
49	754-04077	V-Belt, B Sec., 134 in.
50	756-04129	Pulley, Idler, 4.25 Dia.
51	783-04399	Cover, Belt, LH
52	783-04400	Cover, Belt, RH
53	783-04414	Skirt, Deck Center
54	783-04415	Skirt, Deck RH
55	783-05303	Bracket, Idler,
56	783-05411A	Bracket, Height Adjust
57	783-0720C	Bracket, Front Deck Rod
58	714-04023	Pin, Internal Cotter
59	731-04651	Plug, Mulch
60	736-0315	Washer, Flat, .76 x 1.5 x .12
61	737-3000	Fitting, Lube
62	738-1010A	Shaft, Spindle
63	747-0919	Bearing, Ball
64	750-1000	Spacer, .80x 1.10 x 1.322
65	750-1349	Spacer, .79 x 1.84 x .55
66	756-1171	Pulley, Deck
67	631-04070A 711-04565 732-04372 783-05030	Chute Assembly, Discharge Pin, Hinge, .3125 x 14.06 Spring, Torsion, .44 x 2.1 Bracket, Chute Mounting

RH Transmission Assembly

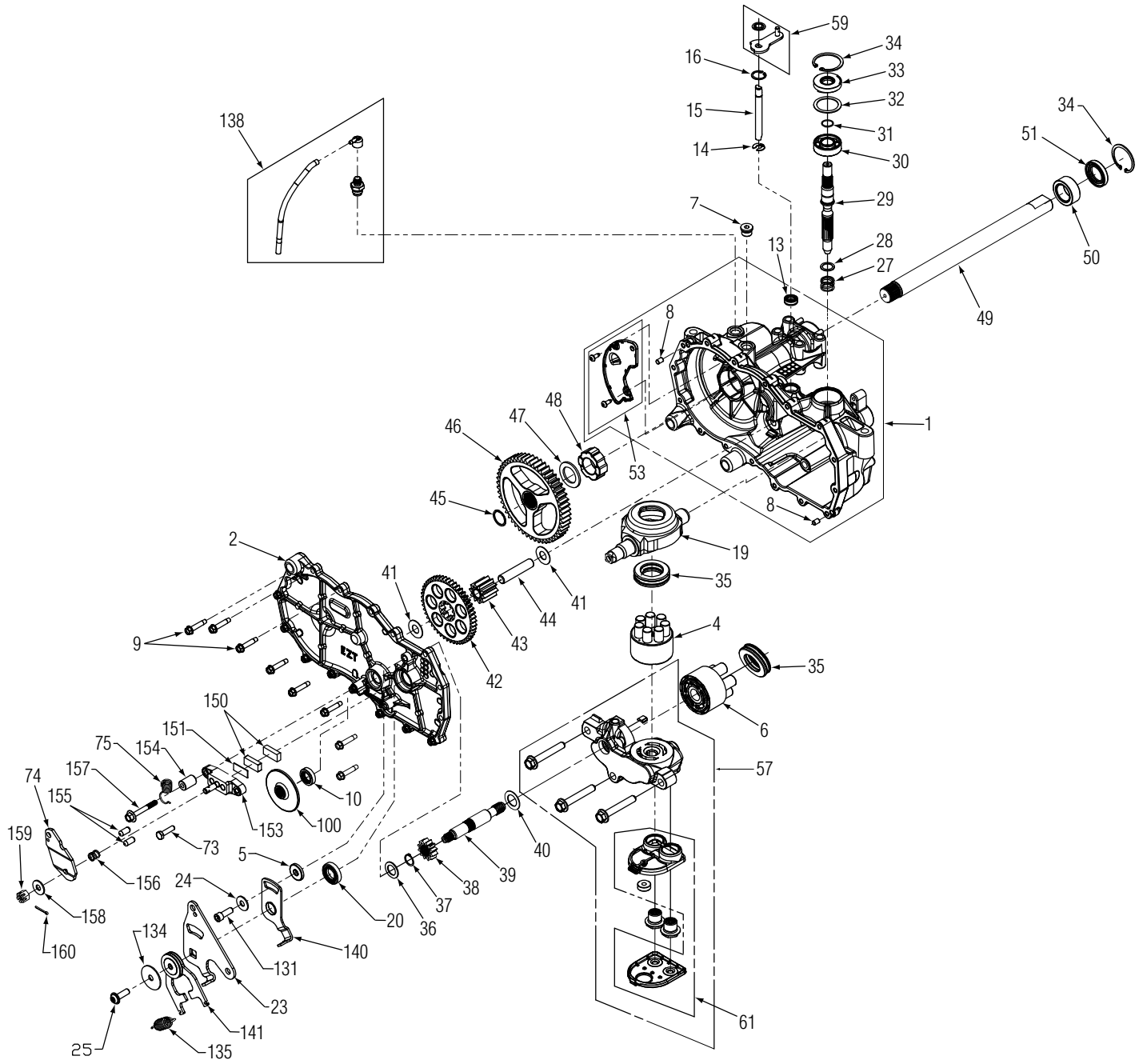


RH Transmission Assembly

Ref. No.	Part No.	Description
1	HG-71585	Housing Assembly, Main RH
2	HG-71586	Side Assembly, RH
4	HG-70723	Block Kit - 7 Piston
5	HG-52527	Spacer, .32 x 1.005 x .179
6	HG-70331	Block Assembly, Cylinder
7	HG-9005110-5600	Plug, Straight Thread
8	HG-9004800-2506	Pin
9	HG-51190	Screw, Hex Flange
10	HG-70719	Seal, Oil
13	HG-51626	Seal, Lip
14	HG-51628	Ring, Retaining, .375 Ext.
15	HG-51625	Rod, Bypass
16	HG-51627	Ring, Retaining, .75 Int.
19	HG-51048	Swashplate, Trunnion
20	HG-51140	Seal, Lip
23	HG-52682	Arm, Control
24	736-0371	Washer, Flat, .34 x .88 x.06
25	HG-51812	Screw, 5/16-24 x 1.0
27	HG-2003014	Spring, Block
28	HG-2003017	Washer, Thrust
29	HG-51062	Shaft, Input
30	HG-50315	Bearing, Ball
31	HG-2000022	Ring, Retaining
32	HG-50951	Spacer
33	HG-51161	Seal, Lip
34	HG-50329	Ring, Retaining
35	HG-50551	Bearing, Thrust
36	HG-44371	Washer, Flat, 5/8 x 1.0 x .05
37	HG-44145	Ring, Retaining
38	HG-51767	Gear, Pinion, 12T
39	HG-52579	Shaft, Motor
40	HG-51069	Washer, Motor Shaft
41	HG-50132	Washer, HT
42	HG-51766	Gear, 10T/49T
43	HG-51043	Gear, 10T Jackshaft

Ref. No.	Part No.	Description
44	HG-51083	Pin, Jackshaft
45	HG-52531	Ring, Retaining
46	HG-52541	Gear, Bull, 52T
47	HG-52532	Washer, 1.018 x 1.57 x .105
48	HG-52542	Bearing, Sleeve
49	HG-52683	Shaft, Axle
50	HG-51517	Bearing, Sleeve
51	HG-51518	Seal, Lip
53	HG-70868R	Plate Kit, Expansion RH
57	HG-71530	Kit, Center Section RH
59	HG-71006	Kit, Bypass Arm RH
61	HG-71497	Filter Assembly
73	HG-44433	Screw, Hex
74	HG-44094	Arm, Brake
75	HG-50884	Spring, Brake
100	HG-52473	Rotor, Brake
131	HG-51616	Screw, Patch, 5/16-24 x 1
134	HG-51950	Washer, .343 x 1.5 x .062
135	HG-52401	Spring, Extension
138	HG-71510	Kit, Breather
140	HG-51946	Arm, Neutral, RH
141	HG-52432	Kit, Scissors Arm
150	917-0678	Puck, Brake
151	917-0682	Plate, Puck
153	HG-62589	Assembly, Brake Yoke
154	HG-23711	Spacer, Torsion Spring
155	941-0343	Pin, Actuating
156	HG-50919	Spring, Brake
157	HG-51146	Bolt, Special Flange
158	936-0371	Washer, Flat
159	712-0335	Nut, Castle, 5/16-24
160	914-0507	Pin, Cotter, 3/32 x .75
	HG-50928	Sealant
	HG-70853	Seal Kit

LH Transmission Assembly

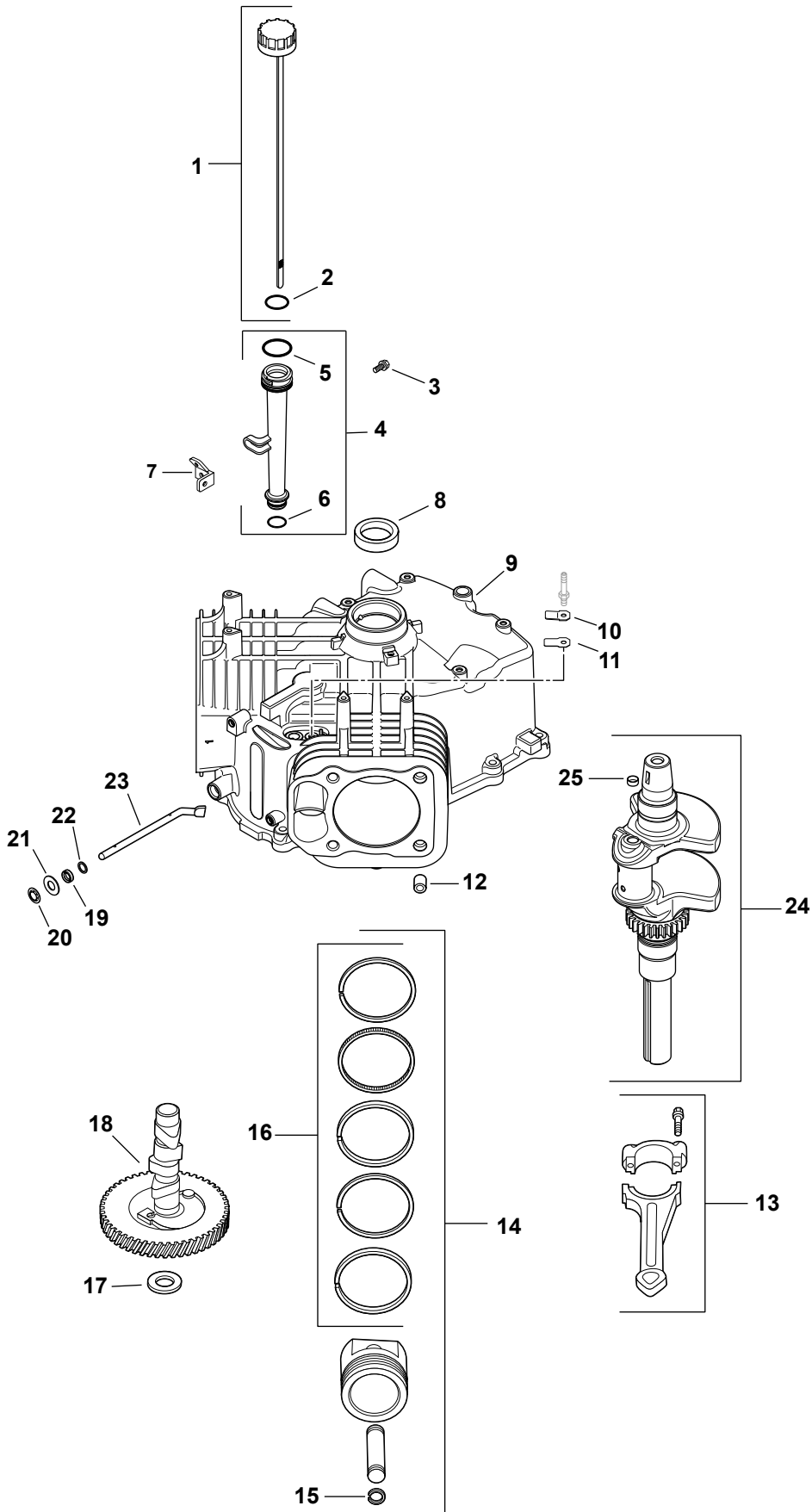


LH Transmission Assembly

Ref. No.	Part No.	Description
1	HG-71030L	Housing Assembly, Main RH
2	HG-71031L	Side Assembly, RH
4	HG-70723	Block Kit - 7 Piston
5	HG-51949	Spacer, .32 x 1.005 x .179
6	HG-70331	Block Assembly, Cylinder
7	HG-9005110-5600	Plug, Straight Thread
8	HG-9004800-2506	Pin
9	HG-51190	Screw, Hex Flange
10	HG-70719	Seal, Oil
13	HG-51626	Seal, Lip
14	HG-51628	Ring, Retaining, .375 Ext.
15	HG-51625	Rod, Bypass
16	HG-51627	Ring, Retaining, .75 Int.
19	HG-51048	Swashplate, Trunnion
20	HG-51140	Seal, Lip
23	HG-52681	Arm, Control
24	736-0371	Washer, Flat, .34 x .88 x .06
25	HG-51812	Screw, 5/16-24 x 1.0
27	HG-2003014	Spring, Block
28	HG-2003017	Washer, Thrust
29	HG-51062	Shaft, Input
30	HG-50315	Bearing, Ball
31	HG-2000022	Ring, Retaining
32	HG-50951	Spacer
33	HG-51161	Seal, Lip
34	HG-50329	Ring, Retaining
35	HG-50551	Bearing, Thrust
36	HG-44371	Washer, Flat, 5/8 x 1.0 x .05
37	HG-44145	Ring, Retaining
38	HG-51767	Gear, Pinion, 12T
39	HG-52579	Shaft, Motor
40	HG-51069	Washer, Motor Shaft
41	HG-50132	Washer, HT
42	HG-51766	Gear, 10T/49T
43	HG-51043	Gear, 10T Jackshaft

Ref. No.	Part No.	Description
44	HG-51083	Pin, Jackshaft
45	HG-52531	Ring, Retaining
46	HG-52541	Gear, Bull, 52T
47	HG-52532	Washer, 1.018 x 1.57 x .105
48	HG-52542	Bearing, Sleeve
49	HG-52683	Shaft, Axle
50	HG-51517	Bearing, Sleeve
51	HG-51518	Seal, Lip
53	HG-70868L	Plate Kit, Expansion
57	HG-71529	Kit, Center Section
59	HG-71357	Kit, Bypass Arm RH
61	HG-71497	Filter Assembly
73	HG-44433	Screw, Hex
74	HG-44094	Arm, Brake
75	HG-50884	Spring, Brake
100	HG-52473	Rotor, Brake
131	HG-51616	Screw, Patch, 5/16-24 x 1
134	HG-51950	Washer, .343 x 1.5 x .062
135	HG-52401	Spring, Extension
138	HG-71510	Kit, Breather
140	HG-51945	Arm, Neutral
141	HG-52432	Kit, Scissors Arm
150	917-0678	Puck, Brake
151	917-0682	Plate, Puck
153	HG-62589	Assembly, Brake Yoke
154	HG-23711	Spacer, Torsion Spring
155	941-0343	Pin, Actuating
156	HG-50919	Spring, Brake
157	HG-51146	Bolt, Special Flange
158	936-0371	Washer, Flat
159	712-0335	Nut, Castle, 5/16-24
160	914-0507	Pin, Cotter, 3/32 x .75
	HG-50928	Sealant
	HG-70853	Seal Kit

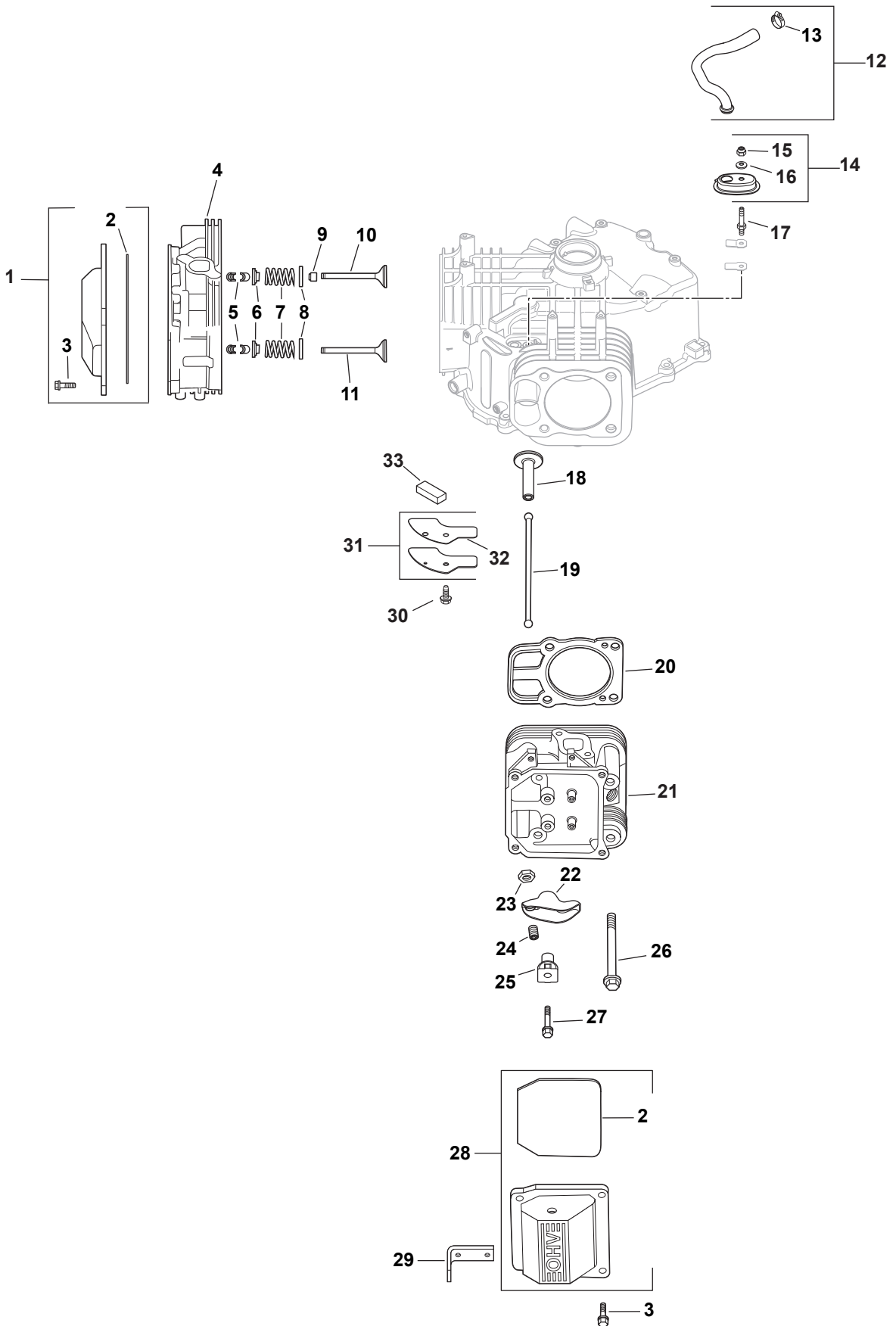
i1046 & i1050 Crankcase; Crankshaft; and Dipstick



i1046 & i1050 Crankcase; Crankshaft; and Dipstick

Ref. No.	Part No.	Description
1	KH-32-038-01-S	Dipstick Assembly (Incl. Ref.2)
2	KH-25-153-02-S	O-Ring, Dipstick
3	KH-M-545013-S	Screw, Flnge Thrd. Frmng M5 x .8 x 13
4	KH-12-123-04	Kit, Oil Fill Tube (Incl. Ref. 5,6)
5	KH-12-153-02-S	O-ring, Upper Fill Tube
6	KH-12-153-01-S	O-ring, Lower Fill Tube
7	KH-24-126-19	Bracket, Fill Tube
8	KH-24-032-01-S	Seal, Oil
9		Crankcase - Use Short Block
10	KH-24-018-04	Retainer, Breather Reed
11	KH-12-402-02	Reed, Breather
12	KH-24-380-16-S	Pin, Locating
13	KH-24-067-16-S	Connecting Rod (Std.)
14	KH-32-874-06-S KH-32-874-08-S KH-32-874-09-S	Kit, Piston w/Ring Set (Std.) Kit, Piston w/Ring Set (.25) Kit, Piston w/Ring Set (.08)
15	KH-24-018-01-S	Retainer, Piston Pin
16	KH-24-108-11-S KH-24-108-06-S	Ring Set (Std. & .08) Ring Set (.25)
17	KH-12-422-07-S KH-12-422-08-S KH-12-422-09-S KH-12-422-10-S KH-12-422-11-S KH-12-422-12-S KH-12-422-13-S	Shim, Camshaft (White .028) Shim, Camshaft (Blue .03) Shim, Camshaft (Red .032) Shim, Camshaft (Yellow .034) Shim, Camshaft (Green .036) Shim, Camshaft (Gray .038) Shim, Camshaft (Black .04)
18	KH-32-012-01-S	Kit, Camshaft
19	KH-28-032-09-S	Seal, Governor Cross Shaft
20	KH-24-018-09-S	Retaining Ring
21	KH-M-931010-S	Washer, Flat, 9mm
22	KH-24-468-15-S	Washer, Flat, 11/32
23	KH-24-144-38-S	Shaft, Governor Cross
24	KH-32-014-04-S	Crankshaft (Incl. Ref. 25)
25	KH-52-139-09-S	Plug, Cup

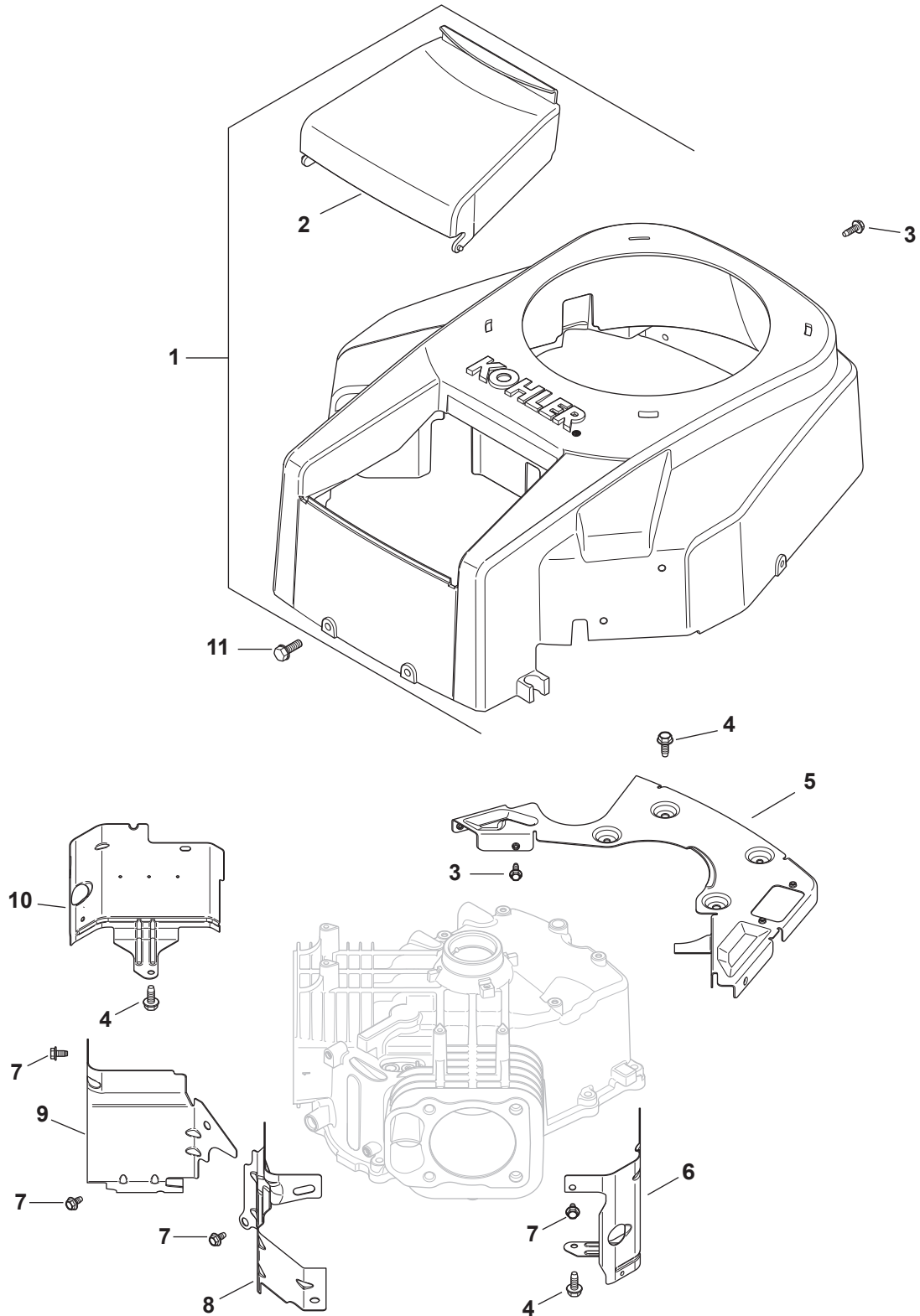
i1046 & i1050 Cylinder Head/Valves/Breather



i1046 & i1050 Cylinder Head/Valves/Breather

Ref. No.	Part No.	Description
1	KH-24-755-141-S	Kit, Rocker Cover (Incl. Ref.2 & 4pc Ref. 3)
2	KH-24-153-28-S	O-Ring, Valve Cover
3	KH-M-651030-S	Screw, Flnge M6 x 1.0 x 30
4	KH-32-318-01-S	Kit, #1 Cylinder Head (Incl. 4pc Ref. 26 and KH-24-841-03-S)
5	KH-12-755-03	Kit, Retainer
6	KH-12-173-01	Cap, Valve Spring
7	KH-24-089-02	Spring, Valve
8	KH-235011-S	Retainer, Spring
9	KH-66-032-05-S	Seal, Valve Stem
10	KH-24-017-01	Valve, Intake (Std.)
11	KH-24-016-01	Valve, Exhaust (Std.)
12	KH-32-326-04-S	Kit, Breather Hose, (Incl. 1pc Ref. 13)
13	KH-25-237-14-S	Clamp, Hose
14	KH-32-081-02-S	Kit, Breather Housing (Incl. 15,16)
15	KH-M-547050-S	Nut, Lock, M5 x 0.8
16	KH-32-468-01-S	Washer, Sealing
17	KH-32-072-02-S	Stud, Breather Cover
18	KH-32-019-01-S	Kit, Tappet
19	KH-32-411-02-S	Rod, Push
20	KH-24-841-03-S	Kit, Cylinder Head Gasket (Incl. Head Mtg. Hardware and KH-24-041-49-S and KH-24-153-27-S)
21	KH-32-318-02-S	Kit, #2 Cylindre Head (Incl. 4pc Ref. 26 and KH-24-841-03-S)
22	KH-32-186-02-S	Arm, Rocker
23	KH-32-100-04-S	Nut, M10 x 0.75
24	KH-32-086-03-S	Screw, Set
25	KH-24-599-02-S	Pivot, Rocker Arm
26	KH-12-086-16	Screw, Flange, M10 x 1.5 x 90
27	KH-32-086-04-S	Screw, Flange, M6 x 1.0 x 45
28	KH-32-096-06-S	Kit, Breather Valve Cover (Incl. 1pc Ref.2)
29	KH-24-445-01	Strap, Lifting
30	KH-M-645016-S	Screw, Flnge Thrd. Frmng M6 x 1.0 x 16
31	KH-32-096-04-S	Kit, Breather Cover (Incl. Ref. 32)
32	KH-32-041-01-S	Gasket, Breather Cover
33	KH-32-050-01-S	Filter, Breather
Not Illustrated		
	KH-24-041-49-S	Gasket, Exhaust
	KH-24-153-27-S	O-Ring

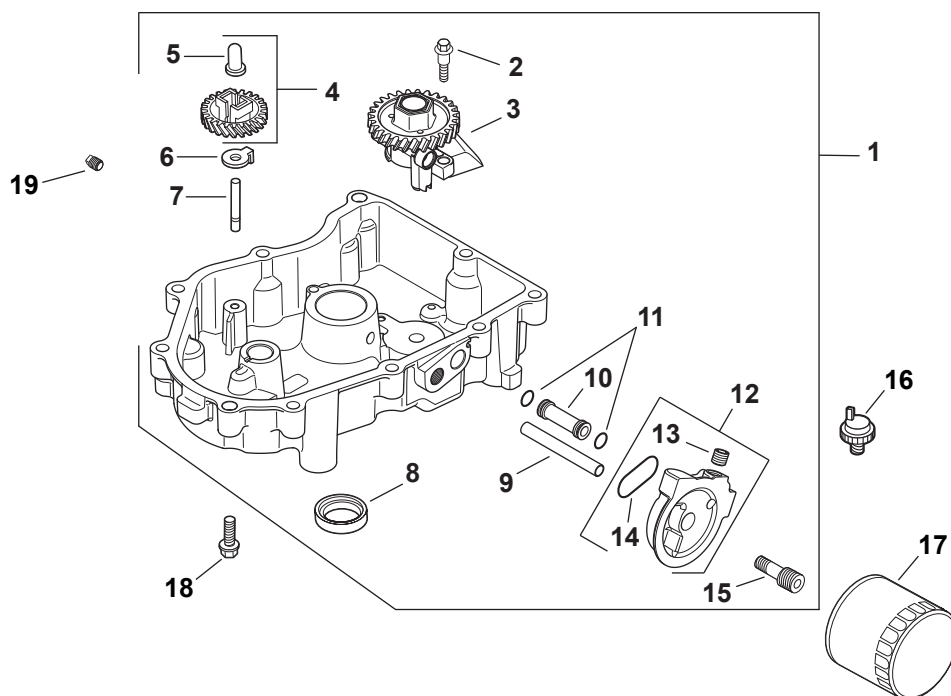
i1046 & i1050 Blower Housing/Baffles



i1046 & i1050 Blower Housing/Baffles

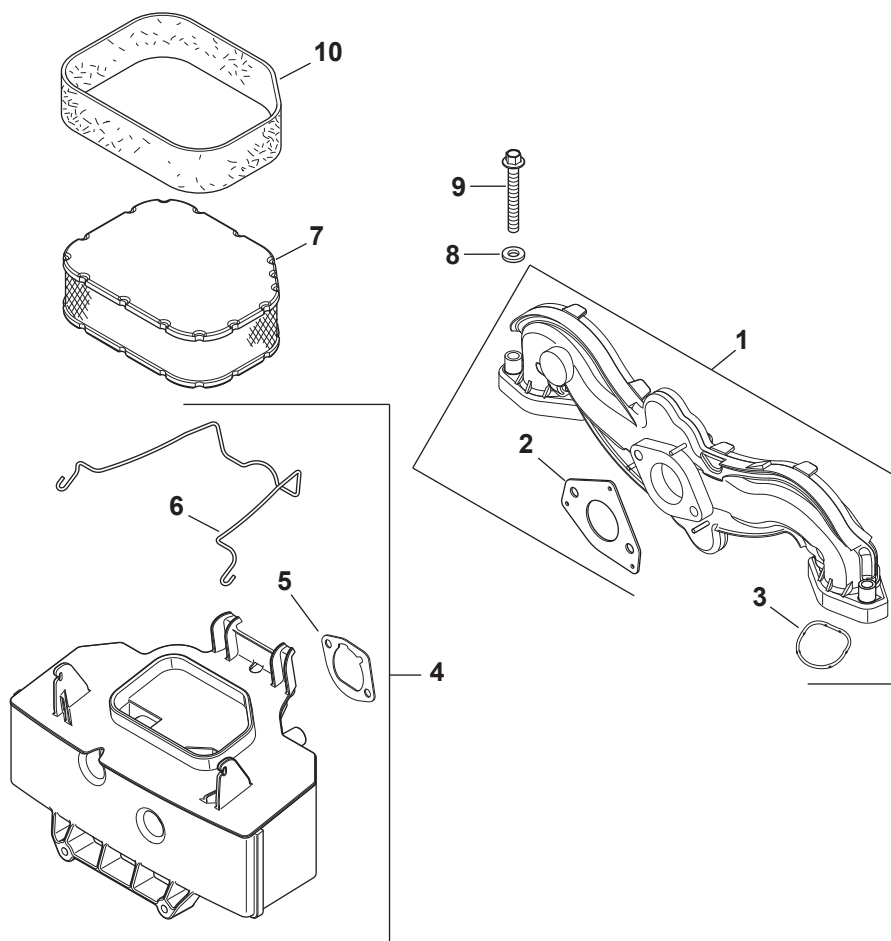
Ref. No.	Part No.	Description
1	KH-32-027-03-S	Kit, Blower Hsng (Incl. Ref.2 & KH-41-037-10-S)
2	KH-32-096-08-S	Cover, Air Cleaner
3	KH-M-545016-S	Screw, Flng Thrd. Frmng M5 x 0.8x 16
4	KH-M-645016-S	Screw, Flng Thrd. Frmng M6 x 1.0 x 16
5	KH-32-146-05-S	Plate, Backing
6	KH-32-063-05-S	Baffle, Cyl. Barrel - #2 Side
7	KH-M-545010	Screw, Flng Thrd. Frmng M5 x 0.8x 10
8	KH-32-063-02-S	Baffle, Valley #2 Side
9	KH-32-063-03-S	Baffle, Valley #1 Side
10	KH-32-063-06-S	Baffle, Cylinder Barrel - #1 Side
11	KH-24-086-12	Screw, Tap, M6 x 1.7 x 18
		Not Illustrated
	KH-41-037-10-S	Nameplate, Service
	KH-32-113-20-S	Decal, Cub

i1046 & i1050 Oil Pan/Filter



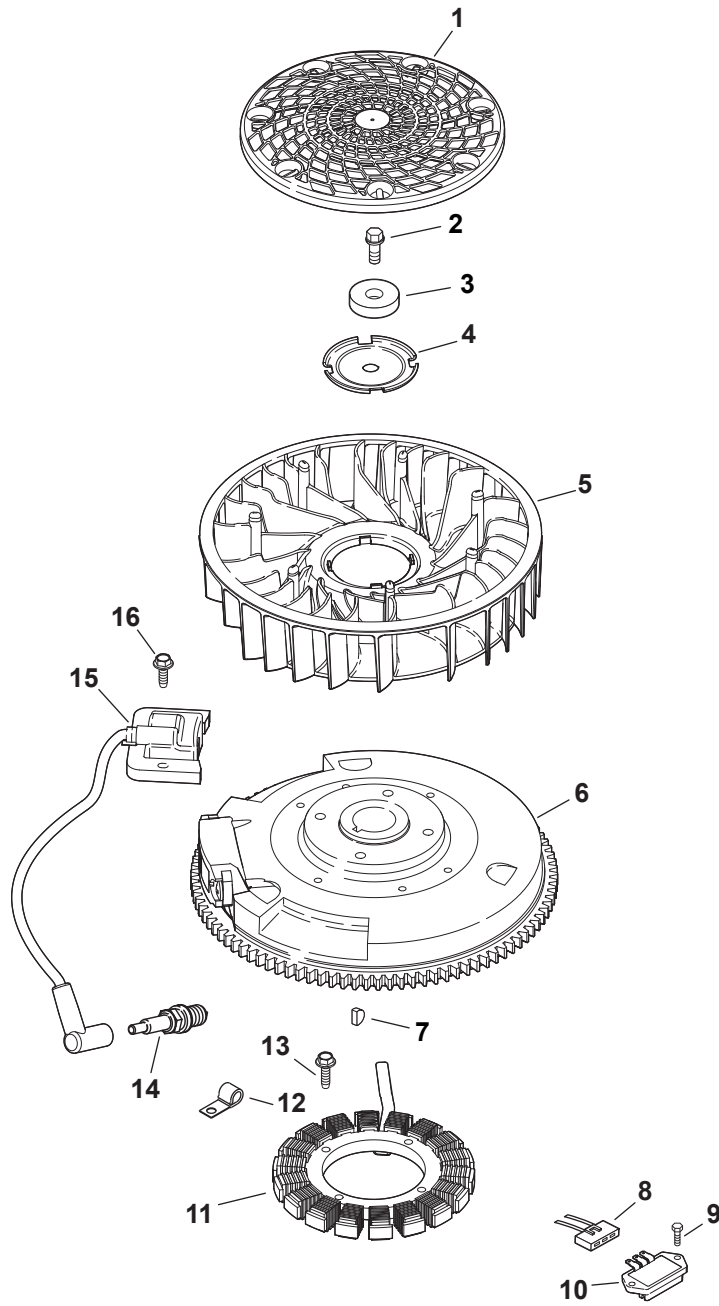
Ref. No.	Part No.	Description
1	KH-32-199-02-S	Pan Assembly, Oil (Incl. Ref. 2-15)
2	KH-32-086-01-S	Screw, Flnge Thrd. Frmng M6 x 1.0 x 26.5
3	KH-32-393-10-S	Pump Assembly, Oil
4	KH-24-043-12	Kit, Governor Gear w/Pin (Incl. Ref. 5)
5	KH-12-380-01	Pin, Governor Regulating
6	KH-24-448-02-S	Tab, Locking
7	KH-12-144-02	Shaft, Governor Gear
8	KH-52-032-08-S	Seal, Oil (PTO End)
9	KH-32-123-01-S	Tube, Oil Feed - Filter to Pan
10	KH-32-123-03-S	Tube, Oil Feed - Pan to Filter
11	KH-24-153-01	O-Ring, Oil Pick-up
12	KH-32-029-07-S	Kit, Oil Filter Adapter
13	KH-25-139-60-S	Plug, Pipe, 1/8
14	KH-32-153-04-S	O-Ring, Oil Filter Adapter
15	KH-32-136-03-S	Nipple, Oil Filter
16	KH-25-099-27-S	Switch, Oil Pressure
17	KH-52-050-02-S	Filter, Oil
18	KH-24-086-17-S	Screw, Flange, M8 x 1.25 x 45
19	KH-25-139-57-S	Plug, Sq. Hd. Pipe, 3/8 NOT USED- Replaced by Oil Drain Valve

i1046 & i1050 Air Filter/Intake Manifold



Ref. No.	Part No.	Description
1	KH-24-164-51-S	Manifold, Intake
2	KH-24-041-52-S	Gasket, Carburetor
3	KH-24-153-27-S	O-Ring, Intake Port
4	KH-32-094-04-S	Base, Air Cleaner w/Gasket, Latch
5	KH-24-041-14	Gasket, Air Cleaner Base
6	KH-32-344-02-S	Latch, Air Cleaner Element
7	KH-32-083-03-S	Element, Air Filter
8	KH-X-25-63	Washer, Flat, 1/4
9	KH-M-651040-S	Screw, Flange, M6 x 1.0 x 40
10	KH-32-083-05-S	Pre-Cleaner, Element

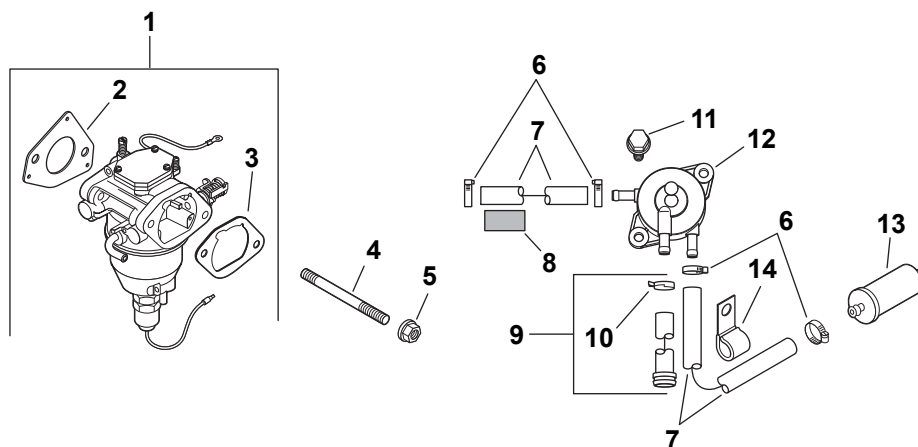
i1046 & i1050 Flywheel/Electrical



i1046 & i1050 Flywheel/Electrical

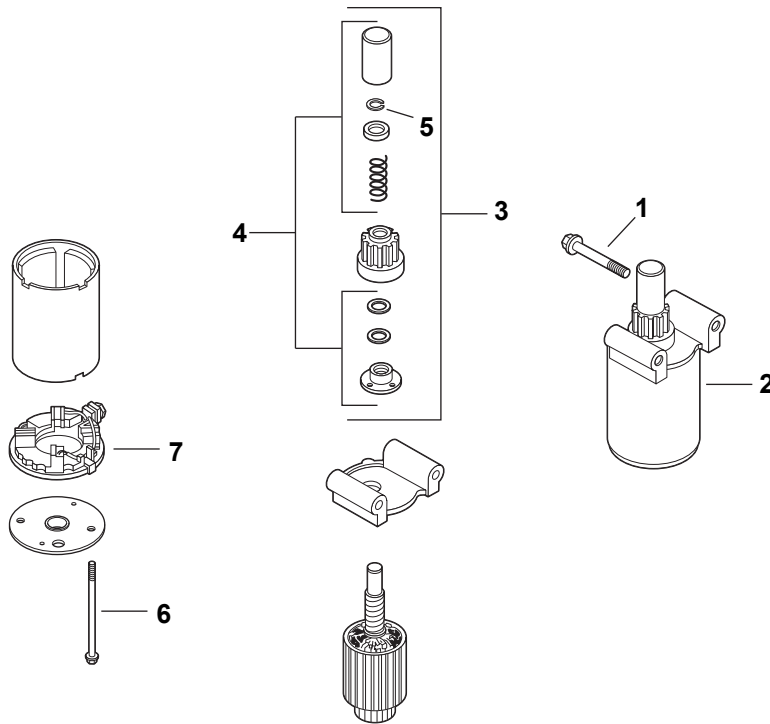
Ref. No.	Part No.	Description
1	KH-32-162-03-S	Screen, Grass
2	KH-12-086-14	Screw, Flange, M10 x 1.5 x 45
3	KH-12-468-03	Washer, Flat 13/32
4	KH-20-146-02-S	Plate, Fan Mounting
5	KH-32-157-01-S	Fan
6	KH-32-025-08-S	Flywheel
7	KH-X-42-15	Key, 3/16 x 5/8
8	KH-236602-S	Connector (3 Contact)
9	KH-M-551016-S	Screw, Flange, M5 x 0.8 x 16
10	KH-41-403-09	Rectifier-Regulator
11	KH-237878	Kit, 15 Amp Stator
12	KH-235173	Clip, Cable
13	KH-M-548025-S	Screw, Thrd. Frmng M5 x 0.8x 25
14	759-3336	Plug, Spark
15	KH-24-584-45-S	Module, Ignition
16	KH-M-545020-S	Screw, Flng Thrd. Frmng M5 x 0.8x 20
		Not Illustrated
	KH-25-454-03-S	Tie, Wire
	KH-32-176-02-S	Harness, Wiring

i1046 & i1050 Fuel System/Carburetor



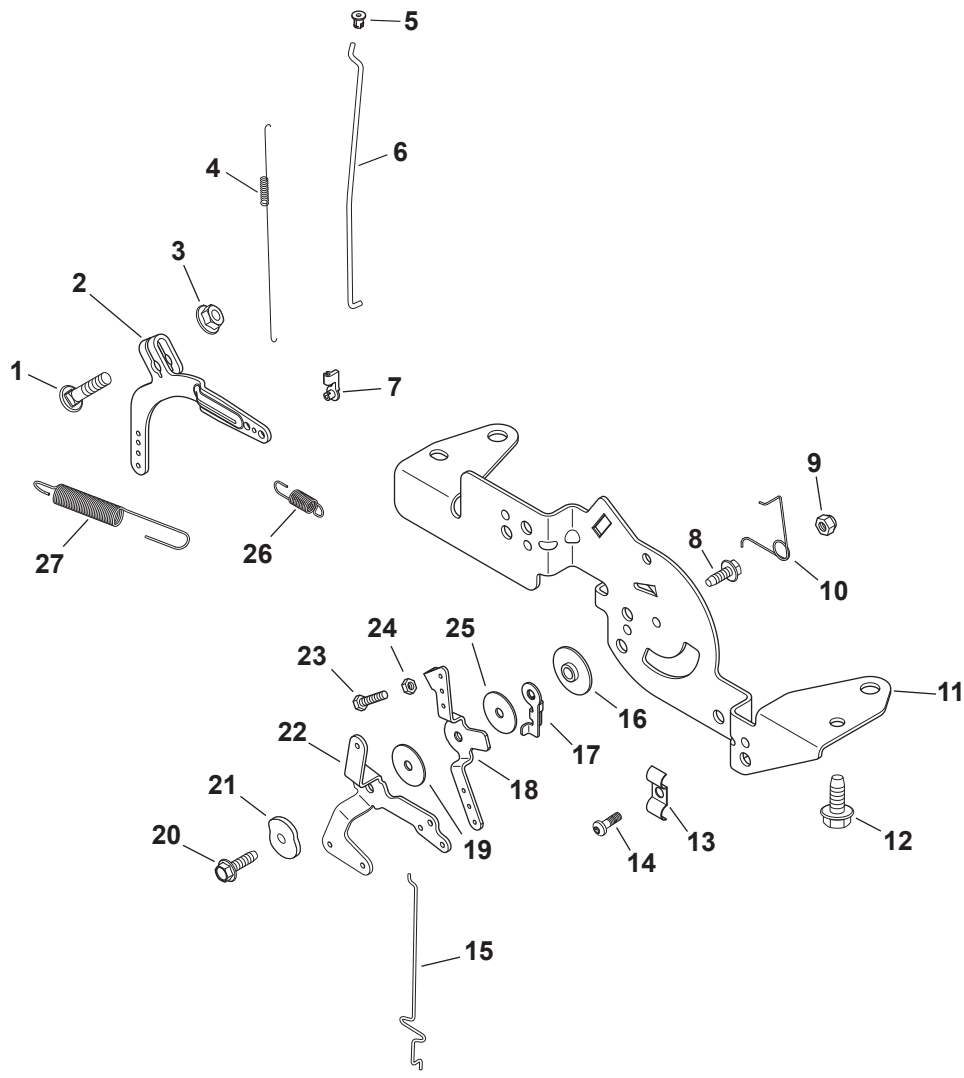
Ref. No.	Part No.	Description
1	KH-32-853-03-S KH-32-853-04-S	Kit, Carburetor (Incl. 2-3) Model i1046 ONLY Kit, Carburetor (Incl. 2-3) Model i1050 ONLY
2	KH- 24-041-52-S	Gasket, Carburetor
3	KH-24-041-14	Gasket, Air Cleaner Base
4	KHM-629105-S	Stud, M6 x 1.0 x 106
5	KH-M-641060-S	Nut, Flange, M6 x 1.0
6	KH-25-237-14-S	Clamp, Spring Hose 1/2
7	KH-25-111-34-S	Line, Fuel (24"- Cut to Length)
8	KH-25-431-10-S	Sleeve, Anti Abrasion
9	KH-32-326-02-S	Kit, Fuel Pump Hose w/Clamp (Incl. 10)
10	KH-25-237-01-S	Clamp, Hose
11	KH-24-086-12	Screw, Tap, M6 x 1.7 x 18
12	KH-24-393-16	Pump, Fuel
13	KH-25-050-22-S	Filter, Fuel
14	KH-47-154-01-S	Clip, Cable
		Not Illustrated
	KH-24-086-05	Screw, Throttle Stop - Model i1046 ONLY
	KH-X-25-63	Washer, Flat, 1/4
	KH-24-757-36-S	Service Kit, Choke Repair
	KH-24-757-38-S	Service Kit, Gasket
	KH-24-757-44-S	Kit, Float Repair
	KH-24-757-45-S	Kit, Solenoid Valve Repair
	KH-24-757-46-S	Kit, Carburetor Overhaul Repair

i1046 & i1050 Starter Motor



Ref. No.	Part No.	Description
1	KH-M-839080	Screw, Flange, M8 x 1.25 x 80
2	KH-32-098-01-S	Starter Assembly
3	KH-12-755-39-S	Kit, Drive
4	KH-12-755-38-S	Kit, Drive Parts (Incl. Ref. 5)
5	KH-32-141-01-S	Ring, Retaining Ring
6	KH-32-211-01-S	Bolt, Thru
7	KH-12-243-04-S	Commutator, End Cap

i1046 & i1050 Engine Controls



i1046 & i1050 Engine Controls

Ref. No.	Part No.	Description
1	KH-24-211-03-S	Bolt, Carriage, M6 X 1.0 X 25
2	KH-24-090-33-S	Lever, Governor
3	KH-M-641060-S	Nut, Flange, M6 x 1.0
4	KH-24-089-01	Spring, Linkage
5	KH-25-158-08	Bushing, Linkage Retainer
6	KH-24-079-04	Linkage, Throttle
7	KH-25-158-11	Bushing, Throttle Linkage
8	KH-M-545016-S	Screw, Flng. Thrd. Frmng, M5 x 0.8 x 16
9	KH-M-547050-S	Nut, Lock, M5 x 0.8
10	KH-24-089-03	Spring, Choke Return
11	KH24-126-161-S	Bracket, Control
12	KH-M-645016-S	Screw, Flng. Thrd. Frmng M6 x 1.0 x 16
13	KH-47-237-02	Clamp, Dual Conduit
14	KH-24-086-43-S	Screw, Torx Hd. Ctsk, M5 x 0.8 x 16
15	KH-24-079-22-S	Linkage, Choke
16	KH-24-112-27-S	Spacer, Control Assembly
17	KH-24-090-47-S	Lever, Throttle Actuator
18	KH-24-090-13	Lever, Throttle Control
19	KH-24-468-01	Washer, Flat, 5.5mm
20	KH-M-545020-S	Screw, Flng. Thrd. Frmng, M5 x 0.8 x 20
21	KH-41-468-03	Washer, Spring, 1/4
22	KH-24-090-05	Lever, Choke
23	KH-M-403025	Screw, Hex Cap, M4 x 0.7 x 25
24	KH-M-446030-S	Nut, M4 x 0.7
25	KH-24-468-20-S	Washer, Flat, 5mm
26	KH-24-089-55-S	Spring, Governor
27	KH-24-089-18 KH-24-089-25-S	Spring, Governor, Model i1046 ONLY Spring, Governor, Model i1050 ONLY

Model i1046 Labels

77722679
Top Of Engine

777X43045
UNDER HOOD

777S32959
Between Trans.
Release Rods
On Hitch Plate

777D10491
On Rear Fender
Cub Cadet

777D10496
In Molded On Hood
Cub Cadet

777D10494
In Molded On Hood
Cub Cadet

777D12249 (LEFT)
ZERO TURN TRACTOR i1046

777D12250 (RIGHT)
i1046 ZERO TURN TRACTOR

777D12284
ZERO TURN TRACTOR

777S30018

777I22615

777D11620

777S30503

777S32807
Place On Both
Gear Tops

777D10624
(QTY2) 777D10624
Near Each Nozzle

777D10501
Cub Cadet

777I22702
On Dash Cluster

777S33037

777X42426
Right Lens

777X42427
Left Lens

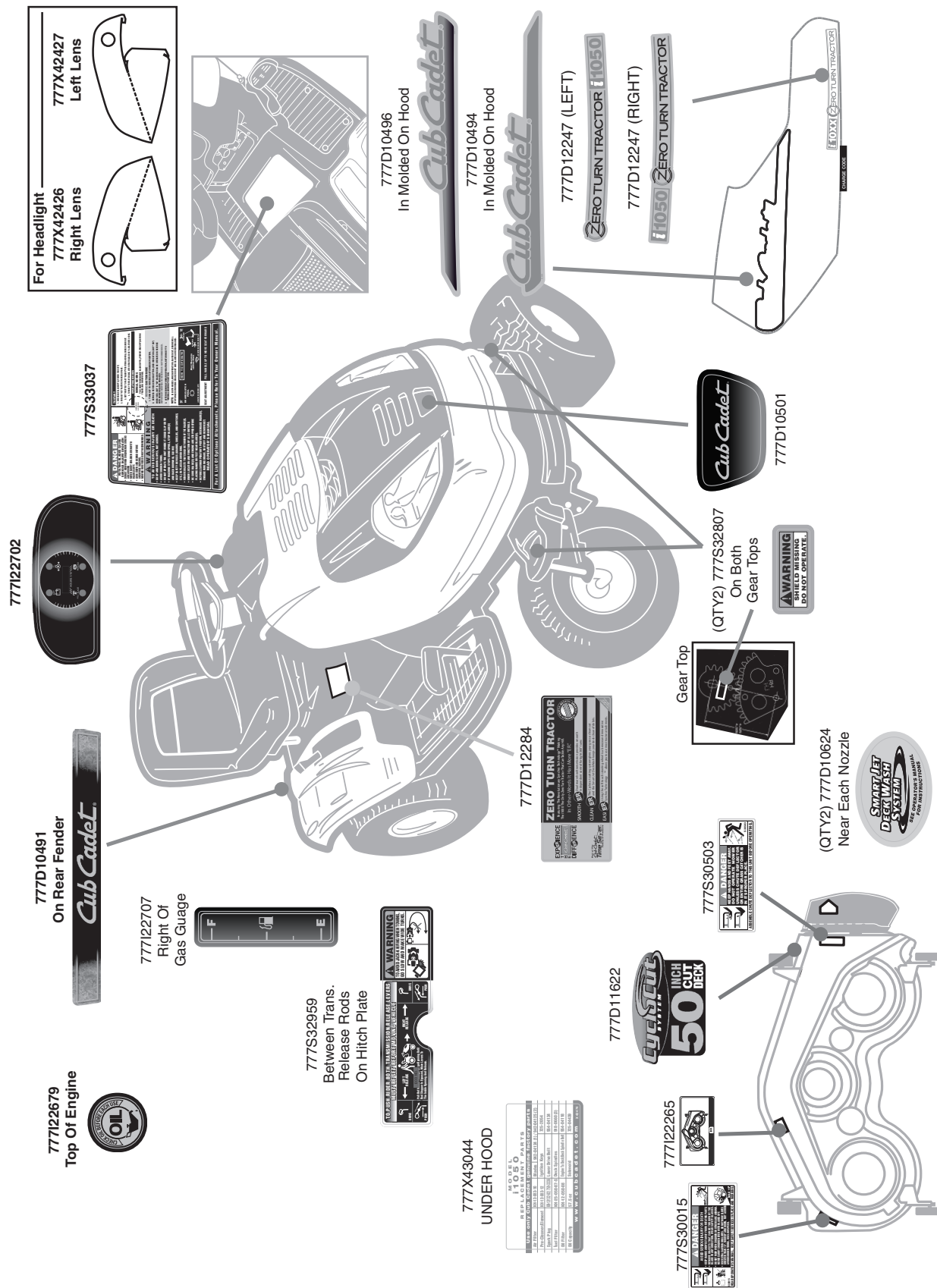
For Headlight

777S30503
SPONGE/LET
DESIGNER
SYSTEM
FOR SPALLS, CRACKS & HOLES
IN PAVEMENT SURFACES

WARNING
SHIELD MISSING
DO NOT OPERATE

WARNING
FLAMMABLE
READ INSTRUCTIONS
5. NEVER OPERATE WITH FUEL SYSTEM COMPONENTS
6. NEVER OPERATE WITH FUEL SYSTEM COMPONENTS
7. NEVER OPERATE WITH FUEL SYSTEM COMPONENTS

Model i1050 Labels



For Headlight
777X42426
Right Lens

777X42427
Left Lens



Cub Cadet
777D10496
In Molded On Hood

Cub Cadet
777D10494
In Molded On Hood

ZERO TURN TRACTOR i1050
777D12247 (LEFT)

i1050 ZERO TURN TRACTOR
777D12247 (RIGHT)

