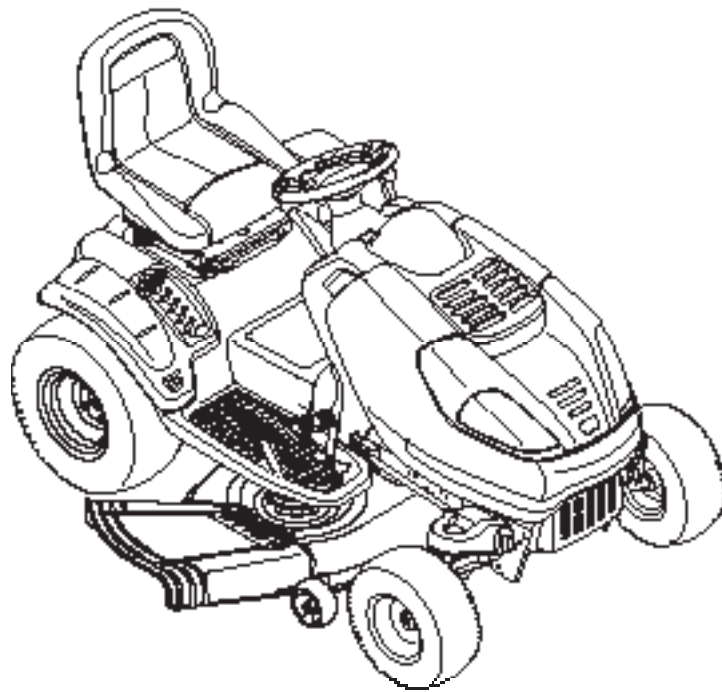

Cub Cadet[®]

PARTS MANUAL



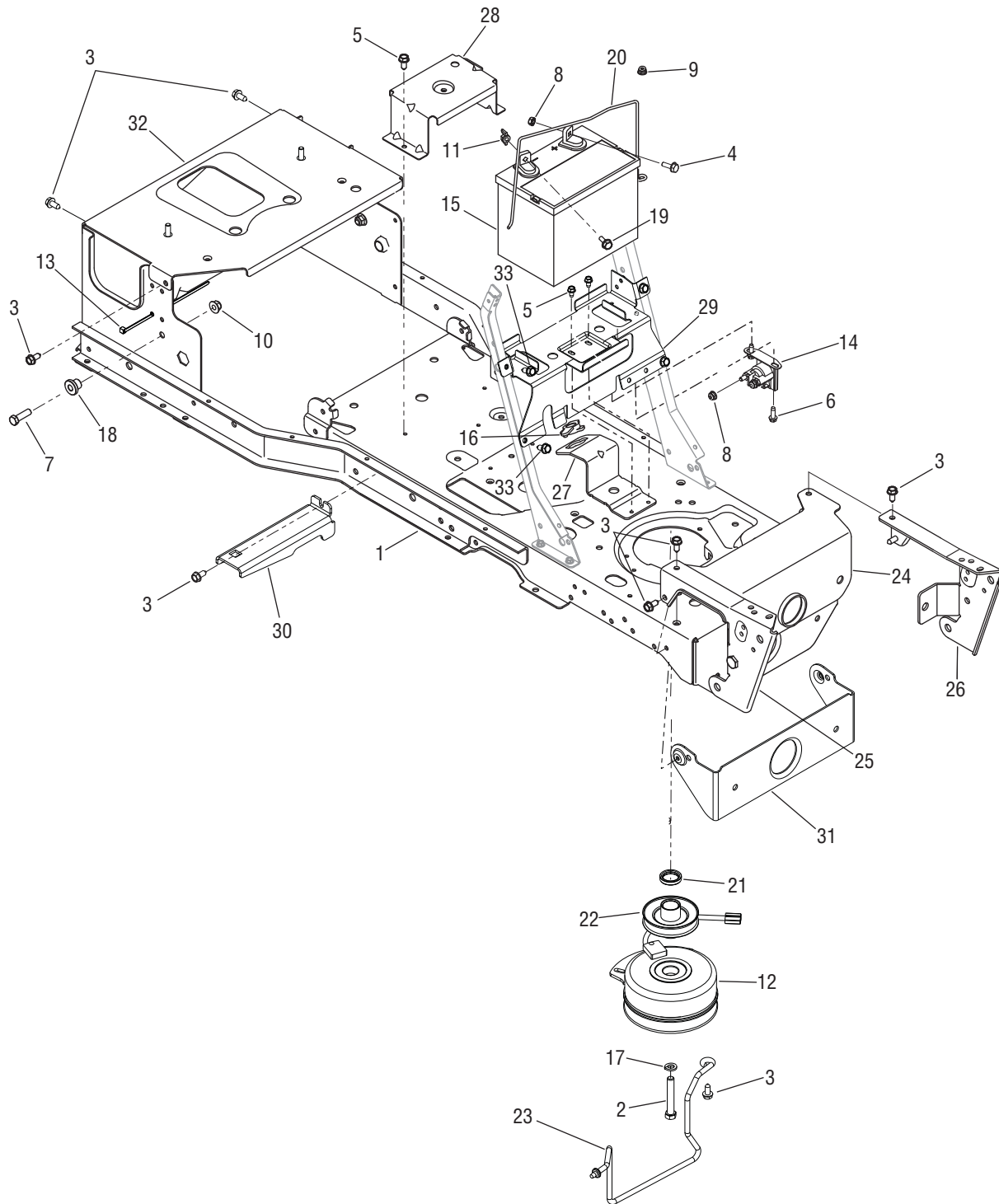
Zero Turn Riding Mower Models i1042

CUB CADET LLC, P.O. BOX 361131 CLEVELAND, OHIO 44136-0019

PRINTED IN U.S.A.

769-03655
2/2008

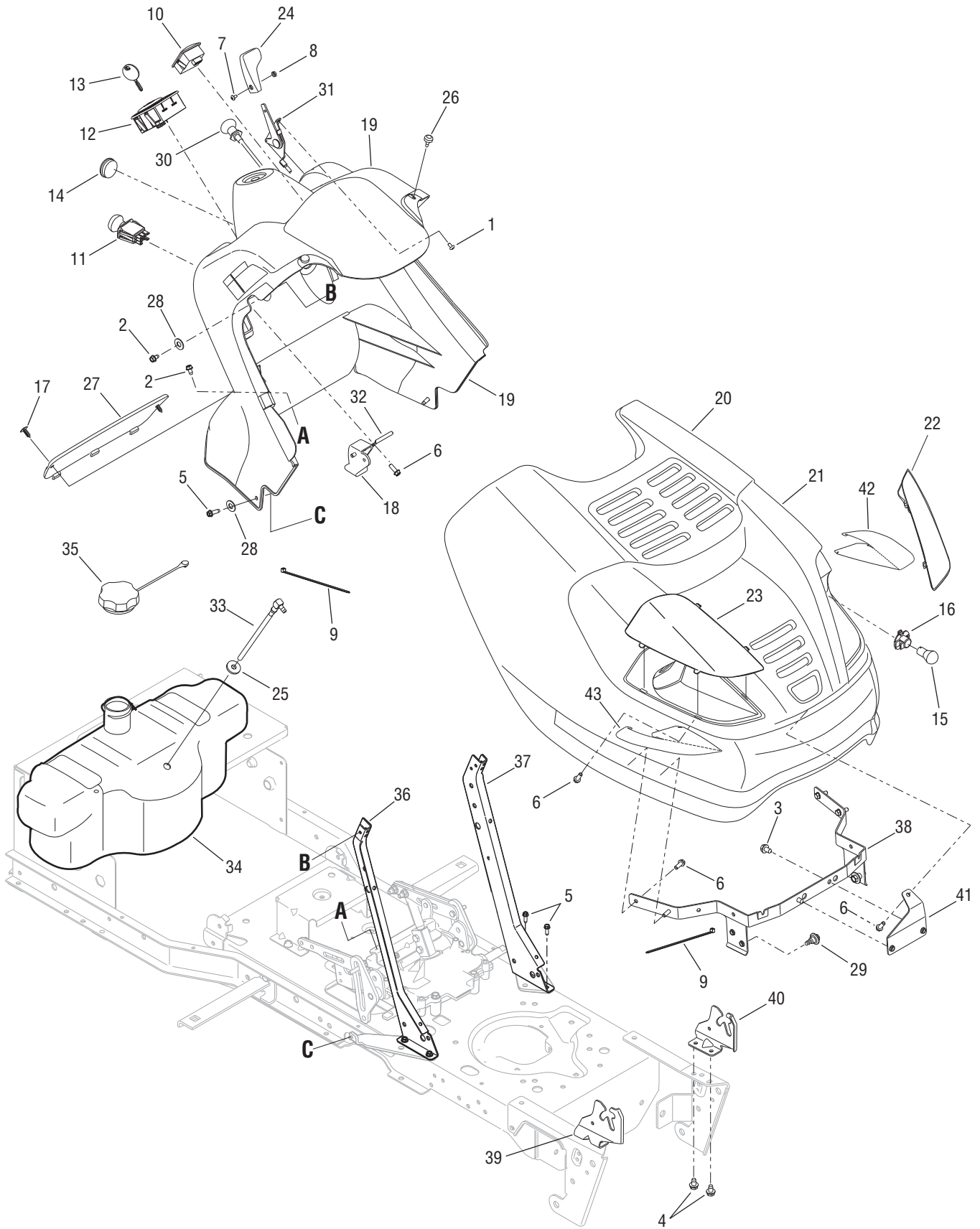
Frame, PTO & Battery



Frame, PTO & Battery

Ref. No.	Part No.	Description
1	683-04305B	Frame Assembly
2	710-04377	Screw, Hex Cap Lock, 7/16-20 x 2.75 Gr5
3	710-04484	Screw, Hex Wash. Hd. Tapp, 5/16-18 x .75
4	710-04666	Screw, Hex Flange Hd. , 1/4-20 x .75 Gr5
5	710-0599	Screw, Hex Wash. Hd. Tapp, 1/4-20 x .5
6	710-0642	Screw, Hex Wash. Hd. Tapp, 1/4-20 x .75
7	710-3005	Screw, Hex Cap, 3/8-16 x 1.25 Gr5
8	712-0271	Nut, Hex Sems, 1/4-20
9	712-04064	Nut, Hex Flange Insert Lock, 1/4-20 GrF
10	712-04065	Nut, Hex Flange Insert Lock, 3/8-16 GrF
11	712-3087	Nut, Wing, 1/4-20
12	717-04526	Clutch, Electric PTO
13	725-0157	Cable Tie
14	725-04439	Solenoid, Start
15	925-1707D	Battery - Dry
16	731-05659	Bushing, Steering Shaft
17	736-0171	Washer, Lock, 7/16
18	738-04058	Spacer, Shoulder, .38 x 1.0 x .7
19	738-1132	Screw, Shoulder, .25 x .15:1/4-20
20	747-04215	Strap, Battery
21	750-04763	Spacer, 1.37 x 1.00 x .25
22	756-0978B	Pulley, Engine
23	747-04685A	Rod, Belt Keeper
24	783-04806	Bracket, Pivot Bar
25	783-04844	Bracket, Pivot Support RH
26	783-04845	Bracket, Pivot Support LH
27	783-04868	Bracket, Steering Support
28	783-04910A	Bracket, Support Fender
29	783-05469	Bracket, Battery Support
30	783-05617	Bracket, Running Board Support
31	783-05760	Bracket, Pivot Bar Support
32	783-05850	Plate, Seat Frame
33	710-0726	Screw, Hex Wash. Hd. Tapp, 5/16-12 x .75
	725-04375A	Harness, Main Wire

Hood, Dash Panel & Fuel Tank

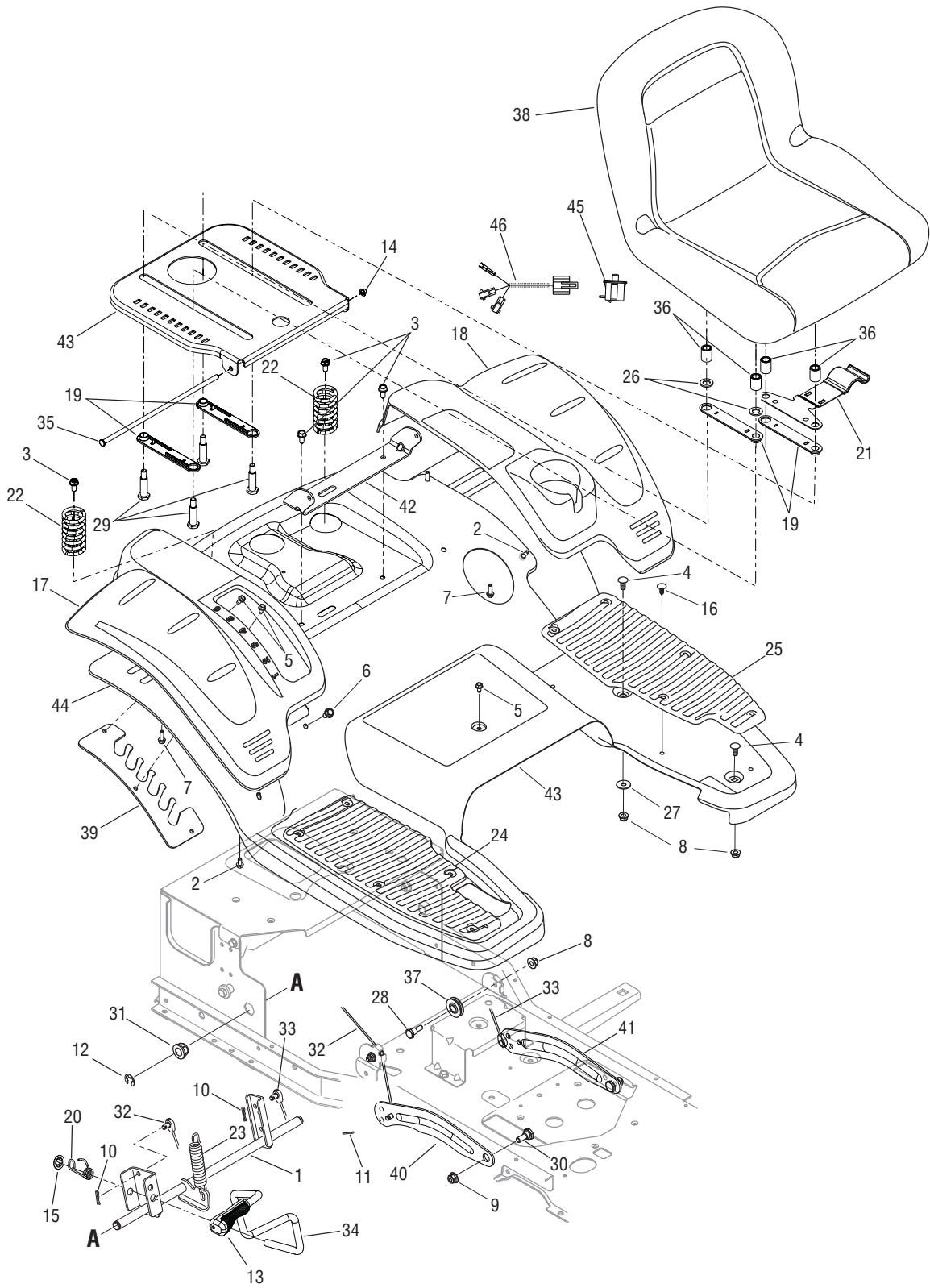


Hood, Dash Panel & Fuel Tank

Ref. No.	Part No.	Description
1	710-0192	Screw, Truss Hd. Mach., 10-24 x .375
2	710-0599	Screw, Hex Wash Hd. Tapp, 1/4-20 x .5
3	710-0604A	Screw, Hex Wash Hd. Tapp, 5/16-18 x .625
4	710-0607	Screw, Hex Wash Hd. Tapp, 5/16-18 x .5
5	710-0642	Screw, Hex Wash Hd. Tapp, 1/4-20 x .75
6	710-0895	Screw, Hex Wash Hd. Tapp, 1/4-15 x .75
7	710-3217	Screw, Truss Hd. Mach., #8-32 x .375
8	712-0142	Nut, Hex, 8-32
9	725-0157	Tie, Cable
10	725-04022B	Meter, Indicator/Service Monitor
11	725-04258	Switch, PTO
12	725-04227B	Switch, Ignition/Module
13	725-2054A	Key, Ignition Switch
14	720-3025	Plug
15	725-0963	Bulb, 12V Light
16	725-1649	Receptacle, Light
17	726-3046	Clip, Ratchet
18	731-04213	Lever, Dash Brake
19	731-05406	Panel, Dash
20	731-05434	Hood
21	731-05435	Plenum, Hood
22	731-05525	Lense, Head Light LH

Ref. No.	Part No.	Description
23	731-05526	Lense, Head Light RH
24	731-3161A	Knob, Throttle Control
25	735-0149	Bushing, Fuel Tank
26	735-0271A	Bumper
27	735-04076	Net, Storage
28	736-0463	Washer, Flat, .25 x .63 x .0515
29	738-04091A	Screw, Shoulder, .43 x .29:TT5/16-18
30	746-04120	Cable, Choke Control
31	746-1100	Cable, Throttle Control
32	747-1155	Rod, Brake Lock Pivot
33	751-10442	Fitting, Fuel Pick Up
34	751-10692	Tank, Fuel
35	751-10703	Cap, Fuel Tank
36	783-04285F	Support, Dash, R.H.
37	783-04323F	Support, Dash, L.H.
38	783-04606B	Bracket, Hood Pivot
39	783-04840	Bracket, Hood Pivot RH
40	783-04841	Bracket, Hood Pivot LH
41	783-05162	Bracket, Hood Support
42	777X42426	Label, Reflector
43	777X42427	Label, Reflector

Seat, Fender & Deck Lift

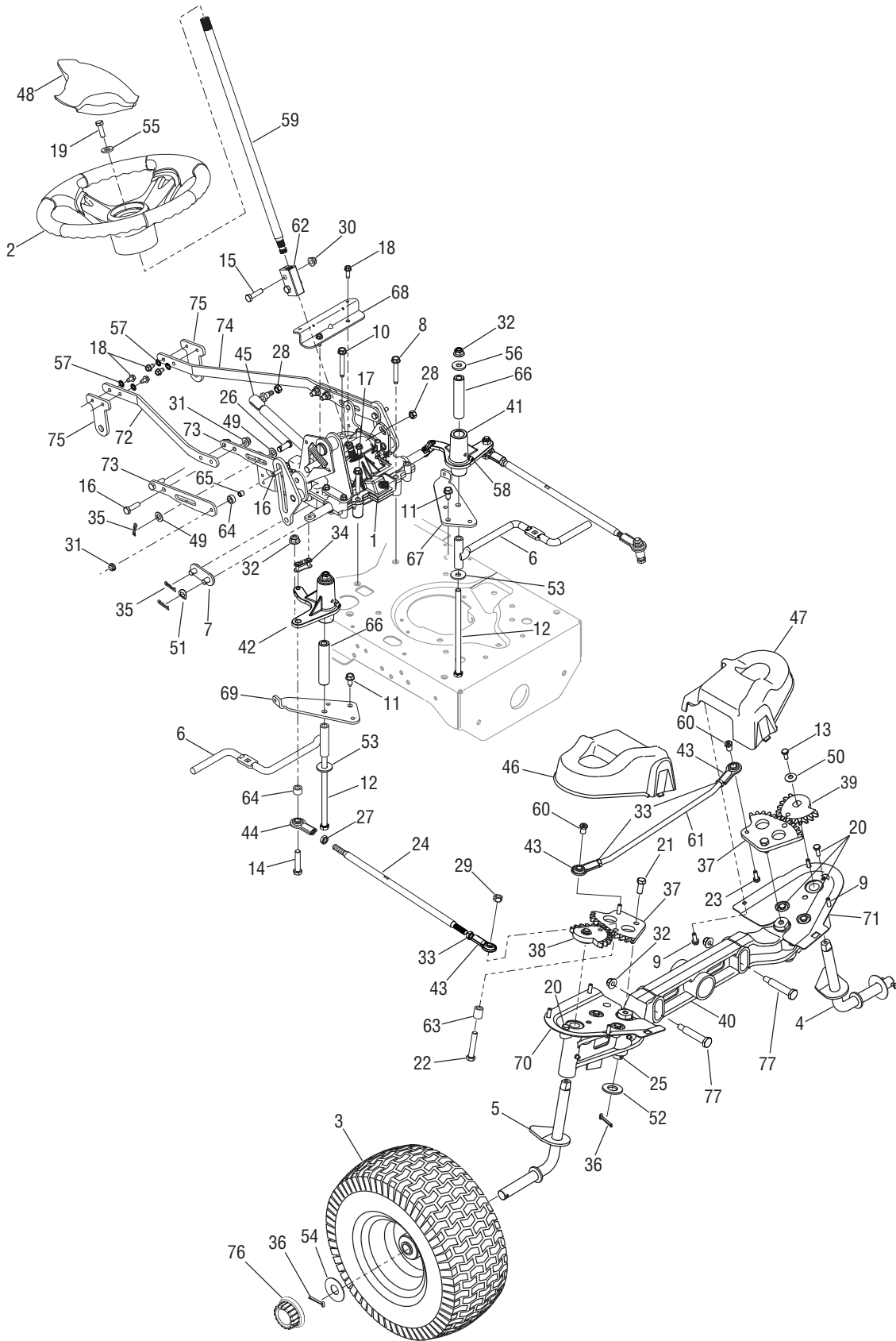


Seat, Fender & Deck Lift

Ref. No.	Part No.	Description
1	647-04095A	Shaft, Lift
2	710-04187	Screw, Hex Wash Hd. H/L, 1/4-15 x .5
3	710-1260A	Screw, Hex Wash Hd. Tapp, 5/16-18 x .75
4	710-0451	Screw, Carriage, 5/16-18 x 75
5	710-0599	Screw, Hex Wash Hd. Tapp, 1/4-20 x .5
6	710-0726	Screw, Hex Wash Hd. Tapp, 5/16-12 x .75
7	710-0895	Screw, Hex Wash Hd. Tapp, 1/4-15 x .75
8	712-04063	Nut, Hex Flange Insert Lock, 5/16-18 GrF
9	712-04065	Nut, Hex Flange Insert Lock, 3/8-16 GrF
10	714-0104	Pin, Internal Cotter
11	714-0111	Pin, Cotter, 3/32 x 1.0
12	716-0106A	E-ring, .625 Shaft
13	720-0311	Grip, Handle
14	726-0135	Nut, Speed, .3125 Dia.
15	726-0221	Nut, Speed, .5
16	726-3046	Clip, Ratchet
17	731-05477	Cover, Rear Fender RH
18	731-05518	Cover, Rear Fender LH
19	731-06208	Spacer, Seat Adjust
20	732-04459	Spring, Lift Handle Torsion
21	732-04491	Spring, Seat Adjust
22	732-04508	Spring, Compression, 1.71 x 3.25 x .23
23	732-0826A	Spring, Extension, .865 x 4.68

Ref. No.	Part No.	Description
24	735-04078A	Pad, Foot RH
25	735-04109	Pad, Foot LH
26	736-0192	Washer, Flat, .535 x .93 x .09
27	736-3078	Washer, Flat, .344 x 1.0 x .063 HT
28	738-0138A	Bolt, Shoulder, .496 x 2.5:3/8-16
29	738-0373	Bolt, Shoulder, .496 x 1.525:3/8-16
30	738-04130	Bolt, Shoulder, .625 x .175:3/8-16
31	741-0225	Bearing, Hex Flange,
32	746-04369	Cable, Lift, 16.16 Lg
33	746-0968	Cable, Lift, 16.16 Lg
34	747-04701	Handle, Lift
35	747-04821	Rod, Seat, 5/16 x 11.62
36	750-04945	Spacer, .51 x .75 x 1.0
37	756-1154	Pulley, Roller
38	757-04030A	Seat, High Back
39	783-04977A	Plate, Deck Lift Index
40	783-04494B	Arm, Deck Lift RH
41	783-04711B	Arm, Deck Lift LH
42	783-05816	Bracket, Seat Pivot
43	783-05817	Plate, Seat Mounting
44	783-05865	Fender, Rear
45	725-04040	Switch, Seat
46	725-04658	Harness, Seat Switch Jumper

Steering Controls & Front Axle

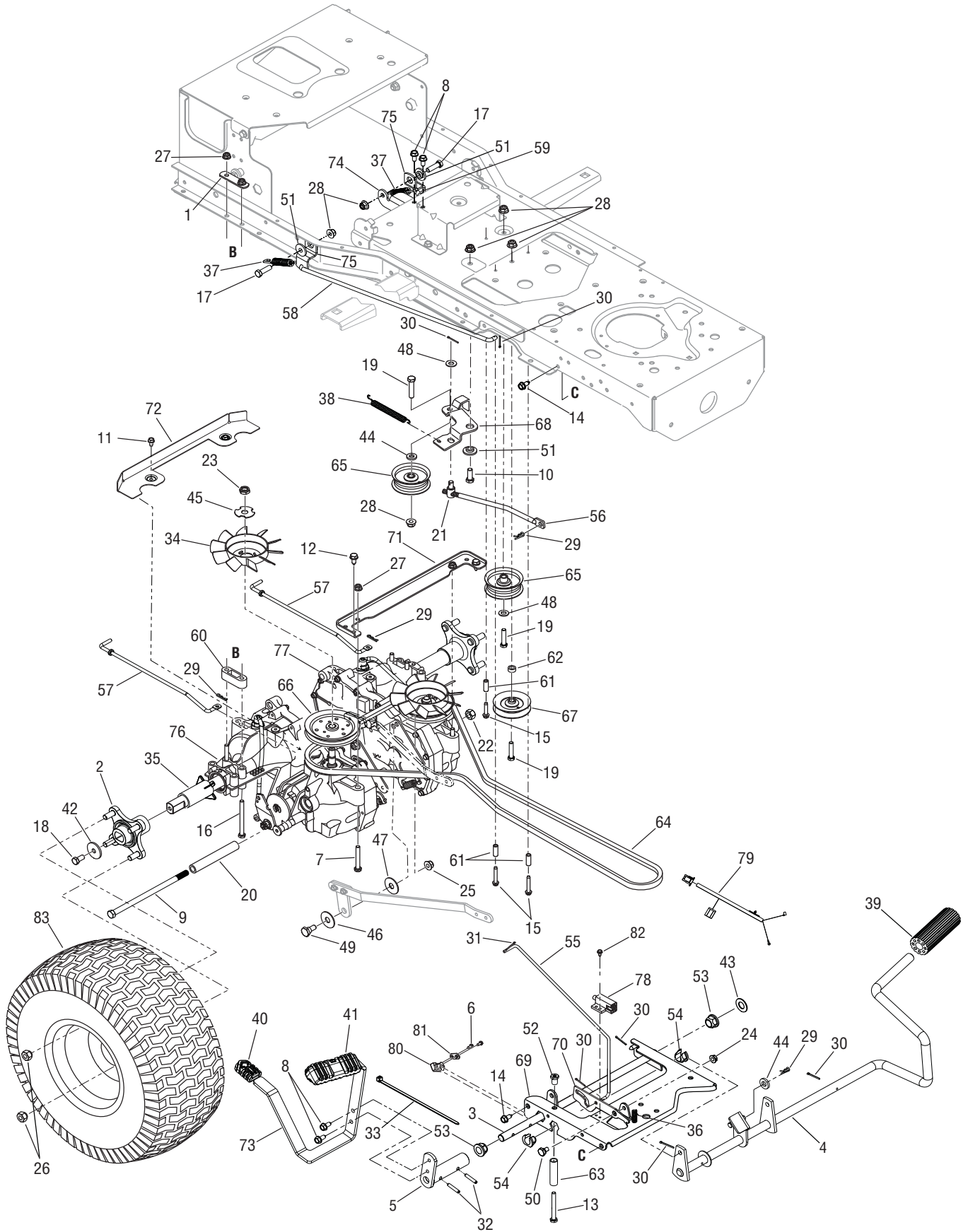


Steering Controls & Front Axle

Ref. No.	Part No.	Description
1	618-04634	Steering Assembly, Steering/Hydro
2	631-04008A	Wheel Assembly, Steering
3	N/A 734-04347 634-04104A 737-0224 941-04137 934-0255	Wheel Assembly Tire, 15 x 5 x 6 Rim Assembly Grease Fitting Bearing, Ball Valve, Tubeless Air
4	683-04439	Axle Assembly, RH
5	647-04440	Axle Assembly, LH
6	647-04080A	Rod, Fender Support
7	683-04332	Link, Steering Box/Hydro
8	710-04006	Screw, Hex Wash Hd. Tapp, 5/16-18 x 2.0
9	710-04187	Screw, Hex Wash Hd. Hi/Lo, 1/4-15 x .5
10	710-04389	Screw, Hex Wash Hd. Tapp, 5/16-18 x 2.25
11	710-04484	Screw, Hex Wash Hd. Tapp, 5/16-18 x .75
12	710-04692	Screw, Hex Cap, 3/8-16 x 7.25 Gr5
13	710-0513	Screw, Hex Cap Lock, 1/4-28 x .625 Gr5
14	710-0520	Screw, Hex Cap, 3/8-16 x 1.5 Gr5
15	710-0528	Screw, Hex Cap, 5/16-18 x 1.25 Gr5
16	710-0597	Screw, Hex Cap, 1/4-20 x 1.0 Gr5
17	710-0599	Screw, Hex Wash Hd. Tapp, 1/4-20 x .5
18	710-0642	Screw, Hex Wash Hd. Tapp, 1/4-20 x .75
19	710-0650	Screw, Hex Wash Hd. Tapp, 5/16-18 x .875
20	710-3015	Screw, Hex Cap, 1/4-20 x .75 Gr5
21	710-3119	Screw, Hex Cap Lock, 3/8-16 x .75 Gr5
22	710-3144	Screw, Hex Cap, 3/8-16 x 2.0 Gr5
23	710-3296	Screw, Hex Cap Lock, 1/4-20 x .75 Gr5
24	711-04472	Link, Drag
25	711-04562	Shaft, Steering Pivot Gear
26	711-04722	Pin, Clevis, .375 x .969 HT
27	712-0312A	Nut, Jam, 3/8-24 LH Thrd
28	712-0365	Nut, Hex Lock, M8 x 1.25 Gr9
29	712-0375	Nut, Hex Lock, 3/8-16
30	712-04063	Nut, Hex Insert Flange Lock, 5/16-18 GrF
31	712-04064	Nut, Hex Insert Flange Lock, 1/4-20 GrF
32	712-04065	Nut, Hex Insert Flange Lock, 3/16-16 GrF
33	712-3001	Nut, Hex Jam, 3/8-24 Gr2
34	713-04037	Link, Connecting
35	714-0104	Pin, Internal Cotter
36	714-04039	Pin, Cotter, 5/32 x 1.25
37	717-04274A	Gear, Spur, 12T
38	717-04275A	Gear, Spur, RH 13T
39	717-04282A	Gear, Spur, LH 13T
40	719-04170A	Axle, Pivot Bar

Ref. No.	Part No.	Description
41	719-04287	Arm, Steering, LH
42	719-04288	Arm, Steering, RH
43	723-04035	End, Ball Joint Rod
44	723-04036	End, Ball Joint Rod, LH Thrd.
45	727-0626A	Cylinder, Damper
46	731-05476	Cover, Steering Gear, RH
47	731-05618	Cover, Steering Gear, LH
48	731-04532A	Cover, Steering Wheel
49	736-0185	Washer, Flat, .375 x .738.063
50	736-0270	Washer, Bell, .265 x .75 x .062
51	736-0286	Washer, Spring, .39 x .75 x .010
52	736-0315	Washer, Flat, .76 x 1.5 x .12
53	736-0452	Washer, Bell, .396 x 1.14 x .095
54	736-0866	Washer, Flat, .755 x 1.92 x .060
55	736-3004	Washer, Flat, .406 x .875 x .105
56	736-3052	Washer, Flat, .406 x 1.0 x .105
57	736-0222	Washer, External Lock, 1/4
58	737-3000	Fitting, Grease
59	738-04189	Shaft, Steering, .625 x 17.281
60	738-04240	Nut, Shoulder, .375 x .5
61	747-04496	Rod, 3/8-24 x 14.4 Lg
62	748-04139	Block, Steering Shaft
63	750-04676	Spacer, .385 x .63 x .75
64	750-04776	Spacer, .380 x .625 x .265
65	750-04777	Spacer, .26 x .372 x .33
66	750-04855	Spacer, .385 x .75 x 3.47
67	783-04798	Bracket, Steering Support, LH
68	783-04799	Bracket, Steering Support, Upper
69	783-05140	Bracket, Steering Support, RH
70	783-05184	Plate, Base Cover, RH
71	783-05185	Plate, Base Cover, LH
72	783-05380	Link, Steering/Hydro RH
73	783-05381	Bracket, Hydro/Steering Adjustment
74	783-05404	Link, Steering/Hydro LH
75	783-05446 783-05446A	Bracket, Steering Link - Mfg. Date B298 & before Bracket, Steering Link - Mfg. Date C018 & After
76	731-3020	Hub Cap
77	738-1011A	Bolt, Shoulder, .5 x 2.23/3/8-16
78	710-0597	Screw, Hex Cap, 1/4-20 x 1.0 Gr5 - Mfg. Date C018 & After
79	712-04064	Nut, Hex Insert Flange Lock, 1/4-20 - Mfg. Date C018 & After

Transmission Drive & Controls

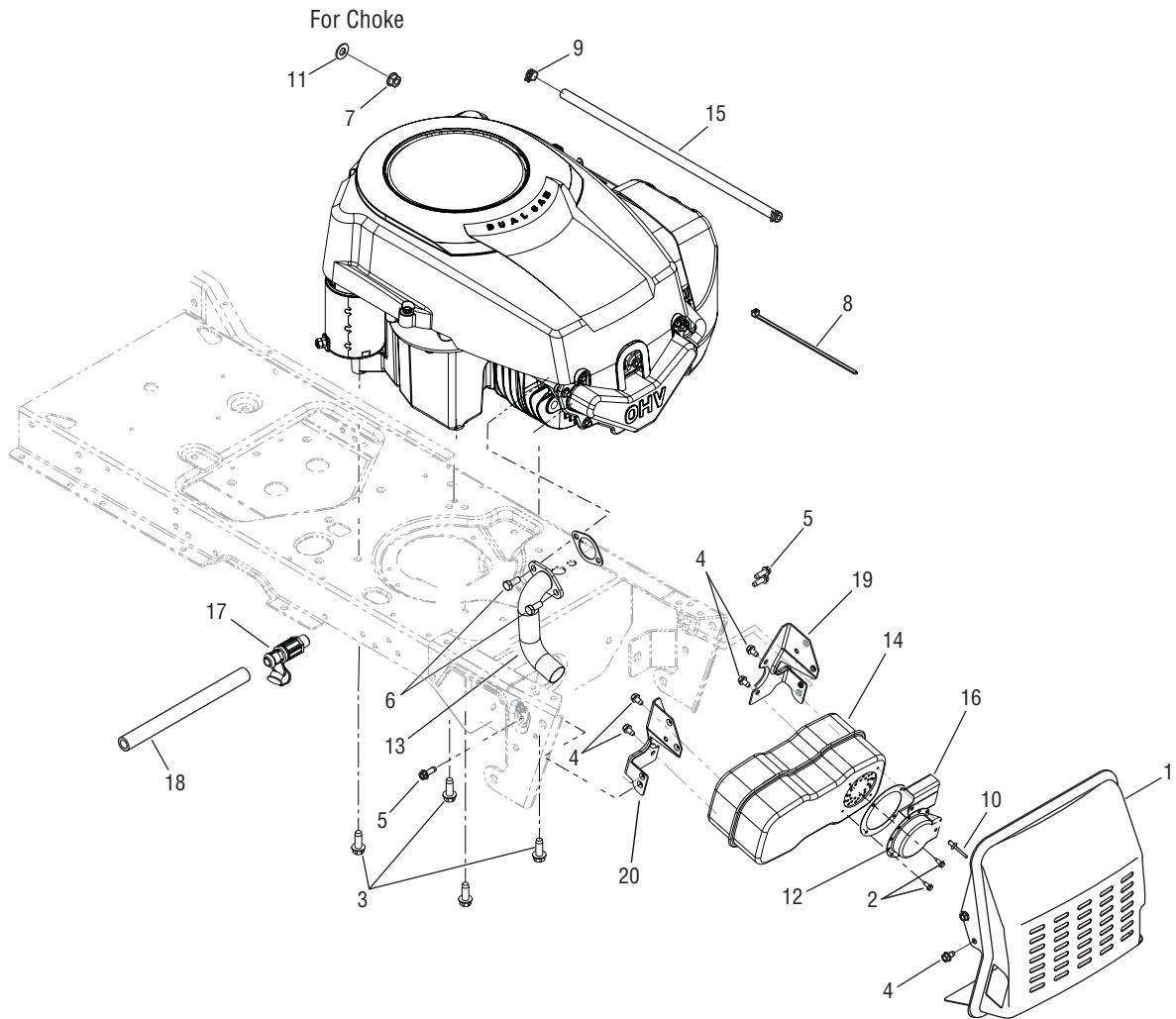


Transmission Drive & Controls

Ref. No.	Part No.	Description
1	17840	Bracket, Transmission Mounting
2	618-04612	Hub, Wheel
3	647-04094	Shaft Assembly, Hydro Control Pedal
4	647-04141	Shaft Assembly, Brake Control
5	683-04314A	Bracket, Pedal
6	710-0227	Screw, Hex Wash Hd. Tapp, #8-18 x .5
7	710-0395	Screw, Hex Cap, 5/16-18 x 2.25 Gr5
8	710-04484	Screw, Hex Wash Hd. Tapp, 5/16-12 x .75
9	710-04648	Screw, Hex Cap, 7/16-14 x 8.5 Gr5
10	710-0514	Screw, Hex Cap, 3/8-16 x 1.0 Gr5
11	710-0599	Screw, Hex Wash. Hd. Tapp, 1/4-20 x .5
12	710-0607	Screw, Hex Wash Hd. Tapp, 5/16-18 x .5
13	710-0641	Screw, Hex Cap, 1/4-20 x 2.25 Gr5
14	710-0726	Screw, Hex Wash Hd. Tapp, 5/16-12 x .75
15	710-1026	Screw, Hex Wash Hd. Tapp, 1/4-20 x .75
16	710-1266	Screw, Hex Cap, 5/16-18 x 3.5 Gr5
17	710-3005	Screw, Hex Cap, 3/8-16 x 1.25 Gr5
18	710-3119	Screw, Hex Cap Lock, 3/8-16 x .75 Gr5
19	710-3144	Screw, Hex Cap, 3/8-16 x 2.0 Gr5
20	711-04554	Spacer, .479 x .75 x 4.97
21	711-0832	Ferrule, 3/8-24 x .375 Dia.
22	712-0290	Nut, Hex Lock, 7/16-14 GrA
23	712-0346	Nut, Hex Jam Insert Lock, 1/2-20 Gr5
24	712-3004A	Nut, Hex Flange Lock, 5/16-18 Gr5
25	712-0375	Nut, Hex Lock, 3/8-16
26	712-3050	Nut, Lug, 7/16-14
27	712-04063	Nut, Hex Flange Insert Lock, 5/16-18 GrF
28	712-04065	Nut, Hex Flange Insert Lock, 3/8-16 GrF
29	714-0104	Pin, Internal Cotter
30	714-0111	Pin, Cotter, 3/32 x 1/0
31	714-04040	Pin, Bowtie Cotter
32	715-0143	Pin, Spirol, .25 x 1.25
33	725-0157	Tie, Cable
34	731-05846	Fan, Hydro
35	731-06274	Sleeve, 1.015 x 2.6
36	732-0335	Spring, Compression, .405 x 1.17
37	732-04495	Spring, Extension, .59 x 5.4
38	732-0814	Spring, Extension, .56 x 5.52
39	735-0239	Pad, Foot, 4.0 in. Lg
40	735-04117	Pad, Reverse Pedal
41	735-04118	Pad, Forward Pedal
42	736-0227	Washer, Flat, .39 x 1.5 x .134
43	736-0290	Washer, Flat, .625 x 1.0 x .067 HT

Ref. No.	Part No.	Description
44	736-3010	Washer, Flat, .407 x .812 x .135 HT
45	736-04263	Washer, Hydro Lock
46	736-3027	Washer, Flat, .531 x 1.75 x .09
47	736-3039	Washer, Flat, .406 x 1.5 x .105
48	736-3050	Washer, Flat, .406 x .812 x .051
49	738-0143	Bolt, Shoulder, .496 x .336: 3/8-16
50	738-0155	Bolt, Shoulder, .435 x .160 : 5/16-18
51	738-0347	Spacer, Shoulder, .625 ID x .169
52	738-04240	Nut, Shoulder, .375 Dia x .5
53	741-0225	Bearing, Hex Flange
54	741-3065B	Bearing, Hex Flange, .625 ID Split
55	747-04562A	Rod, Park Brake
56	747-04598A	Rod, Drive Engage
57	747-04729	Rod, Hydro Bypass
58	747-04833	Rod, Brake RH
59	747-04834	Rod, Brake LH
60	748-04155	Spacer, T-Axle
61	750-04456	Spacer, .26 x .372 x 1.42
62	750-04776	Spacer, .38 x .625 x .265
63	750-05026	Spacer, .375 x .5 x 2.0
64	754-04134	V-Belt, 88.4
65	756-04224	Pulley, Flat Idler, 2.75
66	756-04274	Pulley, V Type, 4.5
67	756-04325	Pulley, V Type Idler, 3.06
68	783-04570A	Arm, Idler
69	783-04881A	Bracket, Foot Pedal Support
70	783-04981	Bracket, Park Brake
71	783-05330A	Bracket, Support
72	783-05473	Bracket, Belt Keeper
73	783-05880	Pedal, Hydro Drive
74	783-05836	Bracket, Brake Pivot LH
75	783-05839	Bracket, Brake Pivot
76	918-04339A	Transmission, Hydro RH
77	918-04342A	Transmission, Hydro LH
78	725-04363	Switch, Interlock (Brake)
79	725-04374	Harness, Reverse Jumper
80	725-1644	Switch, Reverse
81	726-0320	Plate, Insulator Nut
82	738-04237A	Screw, Shoulder, #10-32 : .5
83	N/A 734-1730 934-0255 634-0246A	Wheel Assembly Tire, 20 x 8 x 8 Valve, Tubeless Air Rim Assembly, Rear

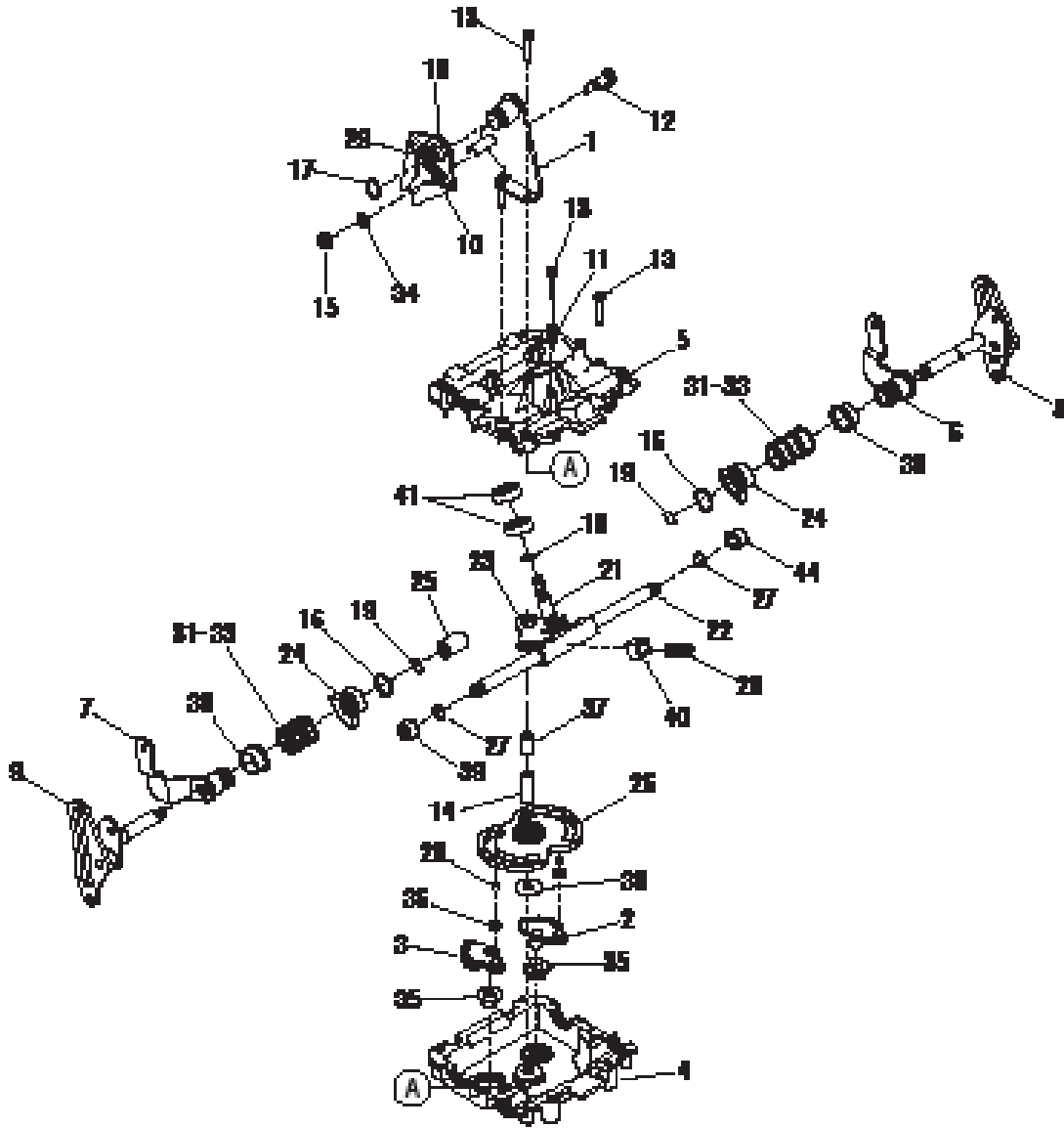
Engine Mounting & Connections



Engine Mounting & Connections

Ref. No.	Part No.	Description
1	683-04256	Shield, Muffler
2	710-0227	Screw, Hex Wash Hd. Tapp, #8-18 x .5
3	710-04683	Screw, Hex Sems Tapp, 3/8-16 x 1.0
4	710-0599	Screw, Hex Wash Hd. Tapp, 1/4-20 x .5
5	710-0642	Screw, Hex Wash Hd. Tapp, 1/4-20 x .75
6	710-3008	Screw, Hex Cap, 5/16-18 x .75 Gr5
7	712-3005	Nut, Hex Flange Lock, 3/8-16 Gr5
8	725-0157	Tie, Cable
9	726-0205	Clamp, Hose
10	728-04000	Rivet, Pop, .188 x .3
11	736-0300	Washer, Flat, .406 x .875 x .059
12	751-0564B	Deflector, Muffler
13	751-10017	Pipe Exhaust
14	751-10162	Muffler, Single Inlet
15	751-10349	Hose, Fuel ; Low Permeation, 51 inches
16	751-10353	Deflector, Muffler
17	751-10517	Valve, Oil Drain
18	751-3141	Hose, Oil Drain Extension
19	783-04870	Bracket, Muffler LH
20	783-04872	Bracket, Muffler RH
	737-3030A	Oil, 10W30 Engine

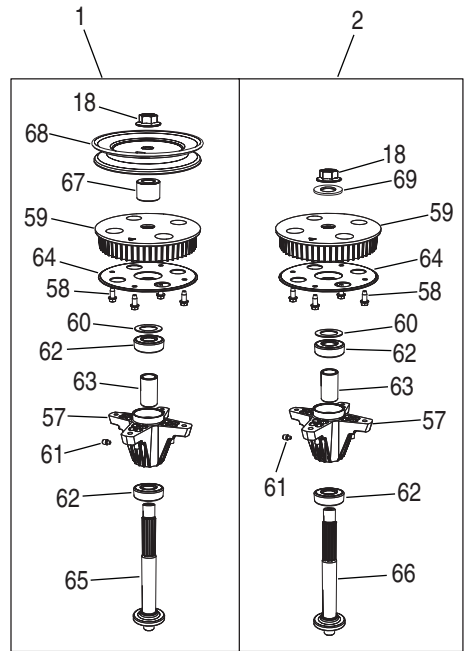
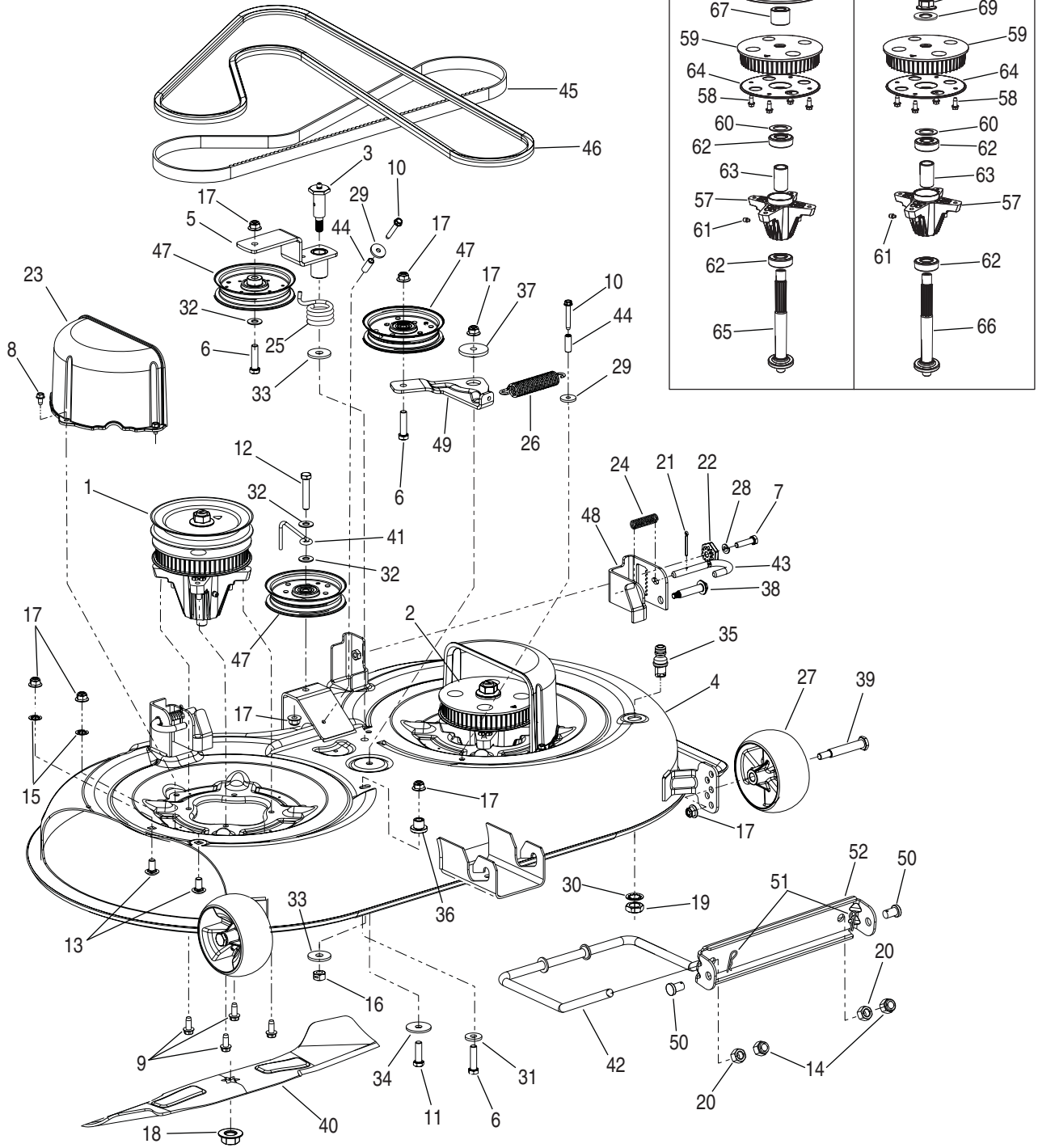
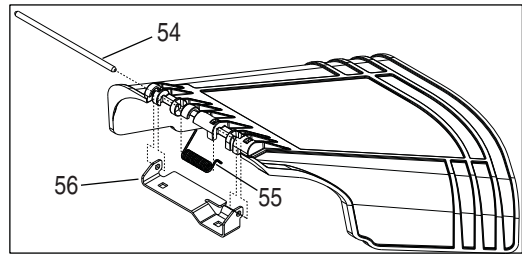
Steering Gear Box



Steering Gear Box

Ref. No.	Part No.	Description
1	607-04243	Bracket, Steering Box Return
2	617-04036	Gear, Bevel LH
3	617-04037	Gear, Bevel RH
4	619-04153 737-0148	Housing, Steering Lower Grease, Darina
5	619-04206	Housing, Steering Upper
6	647-04083	Arm, Hydro LH
7	647-04084	Arm, Hydro RH
8	647-04085	Cam, Hydro LH
9	647-04086	Cam, Hydro RH
10	703-2441	Arm, Neutral
11	710-0642	Screw, Hex Wash Hd. Tapp, 1/4-20 x .5
12	710-04040	Screw, Shoulder, .497 x .75 : 3/8-16
13	710-0778	Screw, Hex Wash Hd. Tapp, 1/4-20 x 1.5
14	711-04587	Shaft, Steering
15	712-3005	Nut, Hex Flange Lock, 3/8-16 Gr5
16	716-0102	Ring, Snap, 1.0 Dia. Shaft
17	716-0111	Ring, External Retaining, .875 Shaft
18	716-0114	Ring, Retaining, .56 Dia. Shaft
19	716-0115	Ring, Retaining, .56 Dia. Shaft
20	716-04066	Ring, Retaining, .31125 Dia. Shaft
21	717-04318	Gear, Pinion, 7T
22	717-04319	Gear, Synchro Rack
23	717-04328	Gear, Steering, 17T
24	717-04330	Gear, Steering, 26T
25	718-04229	Tube, Coupler
26	718-04269	Cam, Hydro Steering
27	721-04186	O-Ring, .625 x .07
28	732-04523	Spring, Compression, .531 x 1.25
29	732-1162	Spring, Extension, .56 x 2.31 x .105
30	736-04237	Washer, Flat, .508 x 1.32 x .04
31	736-04257	Washer, Flat, 1.015 x 1.375 x .005
32	736-04258	Washer, Flat, 1.015 x 1.375 x .010
33	736-04259	Washer, Flat, 1.015 x 1.375 x .015
34	736-0864	Washer, Thrust, .375 x .812 x .06
35	741-04203	Bearing, Flange, .5 x .7
36	741-04204	Bearing, Sleeve, .437 x .3425
37	741-04206	Bearing, Sleeve, .623 x .5025 x .25
38	741-04231	Bearing, Sleeve, 1.2 x 1.0
39	741-04235	Bearing, Flange, .625 x .875
40	741-04257	Bearing, Caster Rack
41	741-0747	Bearing, Ball, .5625 x 1.375 x .4375

42" Mowing Deck

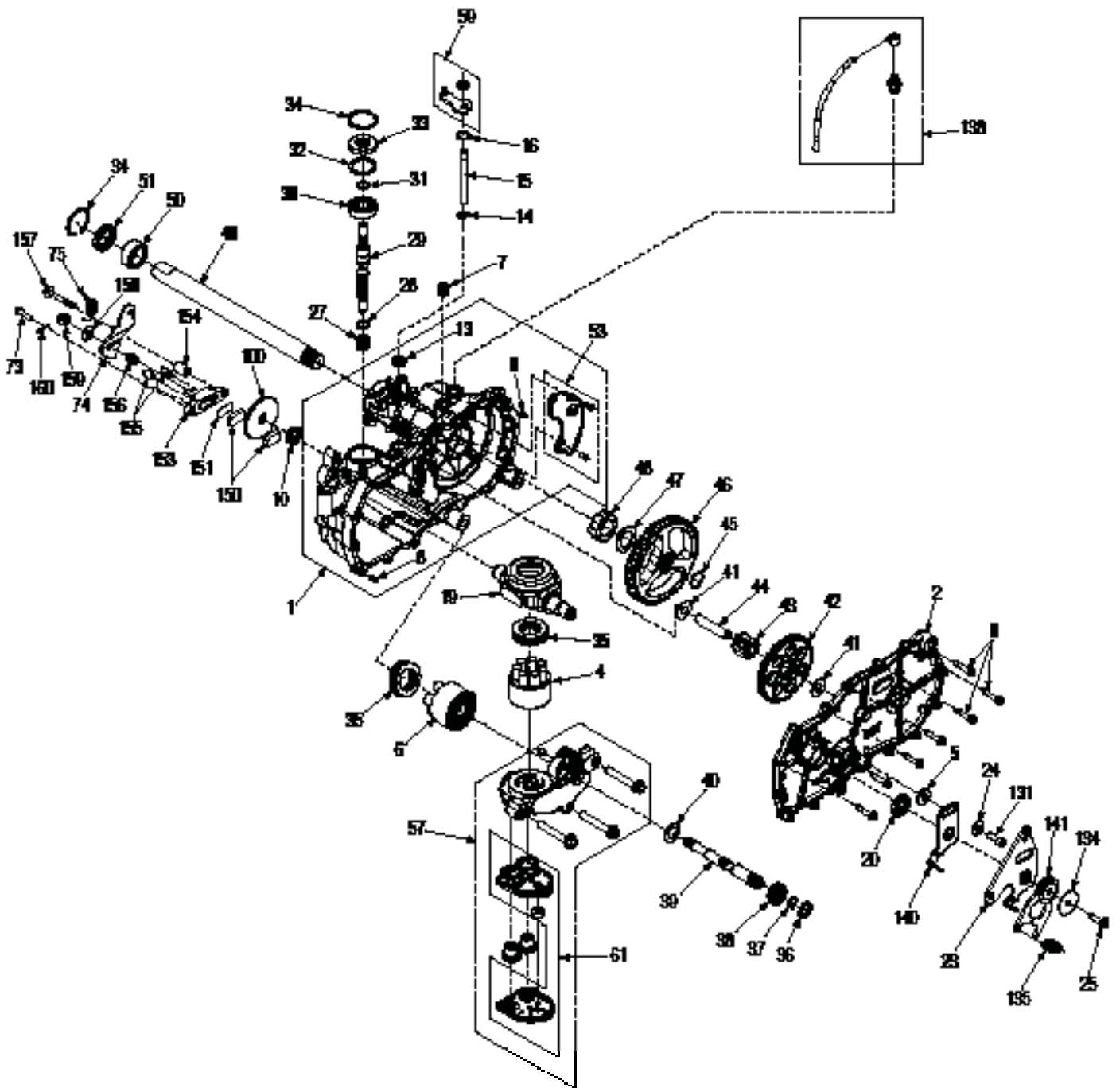


42" Mowing Deck

Ref. No.	Part No.	Description
1	918-04512	Spindle Assembly - Drive
2	618-04516	Spindle Assembly - Driven
3	638-04012A	Bolt Assembly, Shoulder
4	983-04379	Deck Assembly
5	683-04425	Bracket, Idler
6	710-0520	Screw, Hex Cap, 3/16-18 x 1.5 Gr5
7	710-0528	Screw, Hex Cap, 5/16-18 x 1.25 Gr5
8	710-0599	Screw, Hex Wash. Hd. Tapp, 1/4-20 x .5
9	710-1260A	Screw, Hex Wash. Hd. Tapp, 5/16-18 x .75
10	710-1325	Screw, Hex Wash. Hd Tapp, 1/4-20 x 1.625
11	710-3005	Screw, Hex Cap, 3/8-16 x 1.25 Gr5
12	710-3144	Screw, Hex Cap, 3/8-16 x 2.0 Gr5
13	710-3178	Screw, Carriage, 3/8-16 x .75
14	712-0206	Nut, Hex, 1/2-13 Gr5
15	712-0229	Nut, Push, 3/8
16	712-0290	Nut, Hex Lock, 7/16-14
17	712-04065	Nut, Hex Flange Insert Lock, 3/8-16 GrF
18	712-0417A	Nut, Hex Flange, 5/8-18
19	712-0641	Nut, Hex M16-1.5
20	712-3083	Nut, Hex Insert Lock, 1/2013
21	714-0470	Pin, Cotter, 1/8 x 1.25
22	717-04074	Gear, Deck Adjust
23	731-06291	Cover, Belt
24	732-0306A	Spring, Compression, .531 x 1.75
25	732-04469	Spring, Torsion, 1.10 x 1.3
26	732-0826A	Spring, Extension, .865 x 4.68
27	734-04155	Wheel, Deck Ball, 5.0
28	736-0119	Washer, Lock, 5/16
29	736-0176	Washer, Flat, .265 x .938 x .12
30	736-0225	Washer, Internal Tooth Lock, 5/8
31	736-0258	Washer, Flat, .385 x 1.0 x .135
32	736-0300	Washer, Flat, .406 x .875 x .059
33	736-0319	Washer, Flat, .45 x 1.38 x .134
34	736-3039	Washer, Flat, .406 x 1.5 x .105
35	737-04003C 721-04041	Nozzle, Deck Wash Adapter, Water Nozzle

Ref. No.	Part No.	Description
36	738-04058	Spacer, Shoulder, .38 x 1.0 x .7
37	738-04162A	Spacer, Shoulder, .884 x .190
38	738-04316	Bolt, Shoulder, .435 x 1.76:5/16 -24
39	738-3056	Bolt, Shoulder, .496 x 2.5:3/8-16
40	942-04217	Blade, Timing 2 in 1, 22.0
41	747-04530	Rod, Belt Keeper
42	747-04863	Rod, Deck Front Hanger
43	747-1116	Rod, Deck Release
44	750-0566A	Spacer, .26 x .372 x 1.03
45	754-04167	Belt, Timing, .189T
46	754-04185	V-Belt, Type A x 89.24
47	756-04129	Pulley, Idler, 4.25 Dia
48	783-05627	Bracket, Deck Hanger/Adjust LH
49	783-05802	Bracket, Idler
50	711-0332	Pin, Clevis, .5 x .78
51	714-04023	Pin, Internal Cotter
52	783-0720C	Bracket, Front Deck Rod
53	631-04254	Deflector Assembly, Chute
54	711-04847	Pin, Hinge
55	732-04372	Spring, Torsion, .44 x 2.0
56	783-05823	Bracket, Chute Mounting
57	619-04199	Housing, Spindle
58	710-04065	Screw, Tri-Plask, 1/4-10 x .625
59	913-04040A	Pulley, Timing, 56T
60	736-0287	Washer, Flat, .793 x 1.24 x .06 HT
61	737-3000	Fitting, Lube
62	741-0919	Bearing, Ball
63	750-04936	Spacer, .792 x 1.06 x 1.86
64	787-01520	Plate, Timing Pulley
65	938-04292	Shaft, Spindle, 5.46 Long
66	938-04291	Shaft, Spindle, 4.44 Long
67	750-04724	Spacer, .735 x 1.375 x 1.066
68	756-04344	V-Pulley, Drive, 6.3 Dia
69	736-0315	Washer, Flat, .76 x 1.5 x .12

RH Transmission Assembly

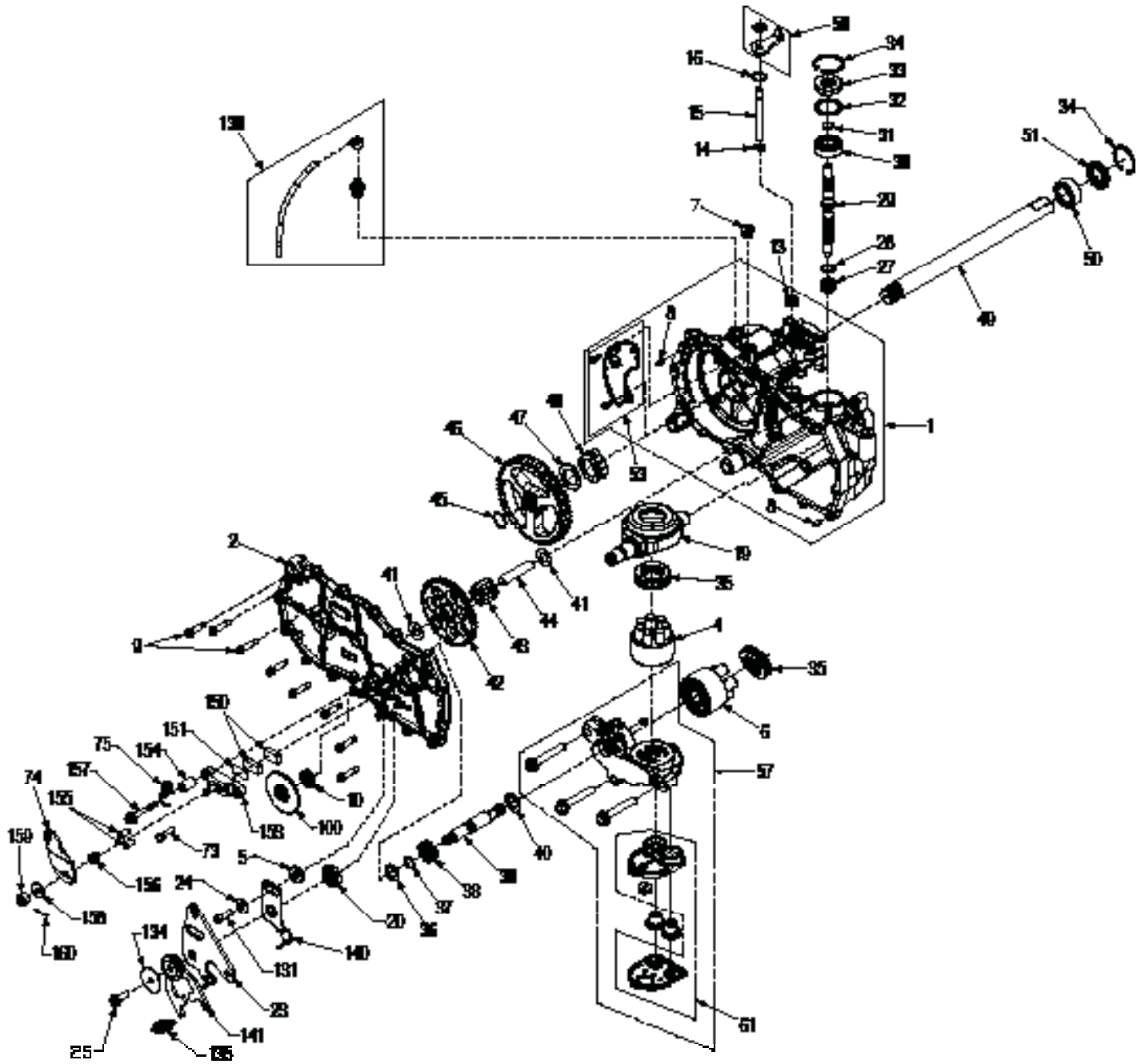


RH Transmission Assembly

Ref. No.	Part No.	Description
1	HG-71585	Housing Assembly, Main RH
2	HG-71586	Side Assembly, RH
4	HG-70723	Block Kit - 7 Piston
5	HG-52527	Spacer, .32 x 1.005 x .179
6	HG-70331	Block Assembly, Cylinder
7	HG-9005110-5600	Plug, Straight Thread
8	HG-9004800-2506	Pin
9	HG-51190	Screw, Hex Flange
10	HG-70719	Seal, Oil
13	HG-51626	Seal, Lip
14	HG-51628	Ring, Retaining, .375 Ext.
15	HG-51625	Rod, Bypass
16	HG-51627	Ring, Retaining, .75 Int.
19	HG-51048	Swashplate, Trunnion
20	HG-51140	Seal, Lip
23	HG-52682	Arm, Control
24	736-0371	Washer, Flat, .34 x .88 x .06
25	HG-51812	Screw, 5/16-24 x 1.0
27	HG-2003014	Spring, Block
28	HG-2003017	Washer, Thrust
29	HG-51062	Shaft, Input
30	HG-50315	Bearing, Ball
31	HG-2000022	Ring, Retaining
32	HG-50951	Spacer
33	HG-51161	Seal, Lip
34	HG-50329	Ring, Retaining
35	HG-50551	Bearing, Thrust
36	HG-44371	Washer, Flat, 5/8 x 1.0 x .05
37	HG-44145	Ring, Retaining
38	HG-51767	Gear, Pinion, 12T
39	HG-52579	Shaft, Motor
40	HG-51069	Washer, Motor Shaft
41	HG-50132	Washer, HT
42	HG-51766	Gear, 10T/49T
43	HG-51043	Gear, 10T Jackshaft

Ref. No.	Part No.	Description
44	HG-51083	Pin, Jackshaft
45	HG-52531	Ring, Retaining
46	HG-52541	Gear, Bull, 52T
47	HG-52532	Washer, 1.018 x 1.57 x .105
48	HG-52542	Bearing, Sleeve
49	HG-52683	Shaft, Axle
50	HG-51517	Bearing, Sleeve
51	HG-51518	Seal, Lip
53	HG-70868R	Plate Kit, Expansion RH
57	HG-71530	Kit, Center Section RH
59	HG-71006	Kit, Bypass Arm RH
61	HG-71497	Filter Assembly
73	HG-44433	Screw, Hex
74	HG-44094	Arm, Brake
75	HG-50884	Spring, Brake
100	HG-52473	Rotor, Brake
131	HG-51616	Screw, Patch, 5/16-24 x 1
134	HG-51950	Washer, .343 x 1.5 x .062
135	HG-52401	Spring, Extension
138	HG-71510	Kit, Breather
140	HG-51946	Arm, Neutral, RH
141	HG-52432	Kit, Scissors Arm
150	917-0678	Puck, Brake
151	917-0682	Plate, Puck
153	HG-62589	Assembly, Brake Yoke
154	HG-23711	Spacer, Torsion Spring
155	941-0343	Pin, Actuating
156	HG-50919	Spring, Brake
157	HG-51146	Bolt, Special Flange
158	936-0371	Washer, Flat
159	712-0335	Nut, Castle, 5/16-24
160	914-0507	Pin, Cotter, 3/32 x .75
	HG-50928	Sealant
	HG-70853	Seal Kit

LH Transmission Assembly

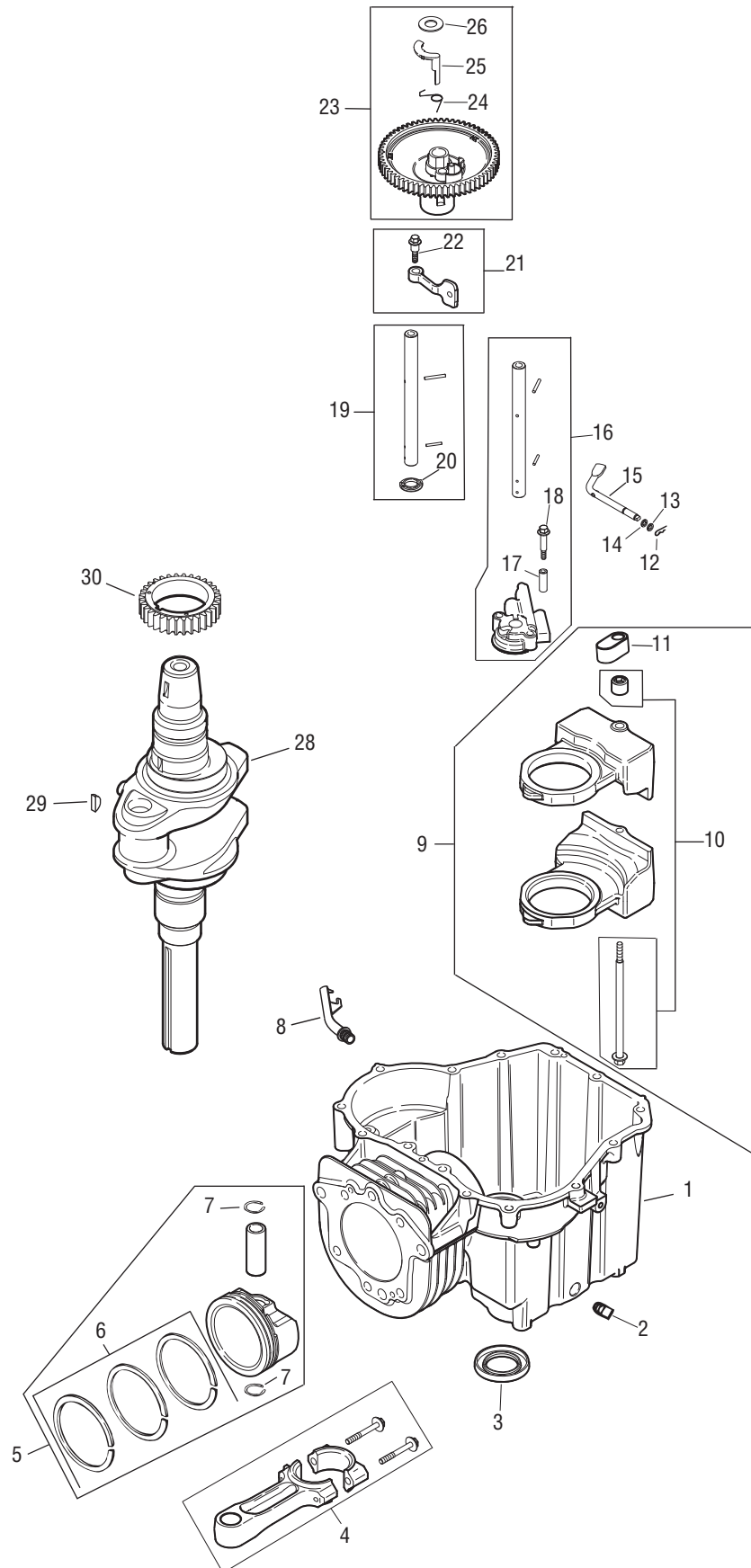


LH Transmission Assembly

Ref. No.	Part No.	Description
1	HG-71030L	Housing Assembly, Main RH
2	HG-71031L	Side Assembly, RH
4	HG-70723	Block Kit - 7 Piston
5	HG-51949	Spacer, .32 x 1.005 x .179
6	HG-70331	Block Assembly, Cylinder
7	HG-9005110-5600	Plug, Straight Thread
8	HG-9004800-2506	Pin
9	HG-51190	Screw, Hex Flange
10	HG-70719	Seal, Oil
13	HG-51626	Seal, Lip
14	HG-51628	Ring, Retaining, .375 Ext.
15	HG-51625	Rod, Bypass
16	HG-51627	Ring, Retaining, .75 Int.
19	HG-51048	Swashplate, Trunnion
20	HG-51140	Seal, Lip
23	HG-52681	Arm, Control
24	736-0371	Washer, Flat, .34 x .88 x .06
25	HG-51812	Screw, 5/16-24 x 1.0
27	HG-2003014	Spring, Block
28	HG-2003017	Washer, Thrust
29	HG-51062	Shaft, Input
30	HG-50315	Bearing, Ball
31	HG-2000022	Ring, Retaining
32	HG-50951	Spacer
33	HG-51161	Seal, Lip
34	HG-50329	Ring, Retaining
35	HG-50551	Bearing, Thrust
36	HG-44371	Washer, Flat, 5/8 x 1.0 x .05
37	HG-44145	Ring, Retaining
38	HG-51767	Gear, Pinion, 12T
39	HG-52579	Shaft, Motor
40	HG-51069	Washer, Motor Shaft
41	HG-50132	Washer, HT
42	HG-51766	Gear, 10T/49T
43	HG-51043	Gear, 10T Jackshaft

Ref. No.	Part No.	Description
44	HG-51083	Pin, Jackshaft
45	HG-52531	Ring, Retaining
46	HG-52541	Gear, Bull, 52T
47	HG-52532	Washer, 1.018 x 1.57 x .105
48	HG-52542	Bearing, Sleeve
49	HG-52683	Shaft, Axle
50	HG-51517	Bearing, Sleeve
51	HG-51518	Seal, Lip
53	HG-70868L	Plate Kit, Expansion
57	HG-71529	Kit, Center Section
59	HG-71357	Kit, Bypass Arm RH
61	HG-71497	Filter Assembly
73	HG-44433	Screw, Hex
74	HG-44094	Arm, Brake
75	HG-50884	Spring, Brake
100	HG-52473	Rotor, Brake
131	HG-51616	Screw, Patch, 5/16-24 x 1
134	HG-51950	Washer, .343 x 1.5 x .062
135	HG-52401	Spring, Extension
138	HG-71510	Kit, Breather
140	HG-51945	Arm, Neutral
141	HG-52432	Kit, Scissors Arm
150	917-0678	Puck, Brake
151	917-0682	Plate, Puck
153	HG-62589	Assembly, Brake Yoke
154	HG-23711	Spacer, Torsion Spring
155	941-0343	Pin, Actuating
156	HG-50919	Spring, Brake
157	HG-51146	Bolt, Special Flange
158	936-0371	Washer, Flat
159	712-0335	Nut, Castle, 5/16-24
160	914-0507	Pin, Cotter, 3/32 x .75
	HG-50928	Sealant
	HG-70853	Seal Kit

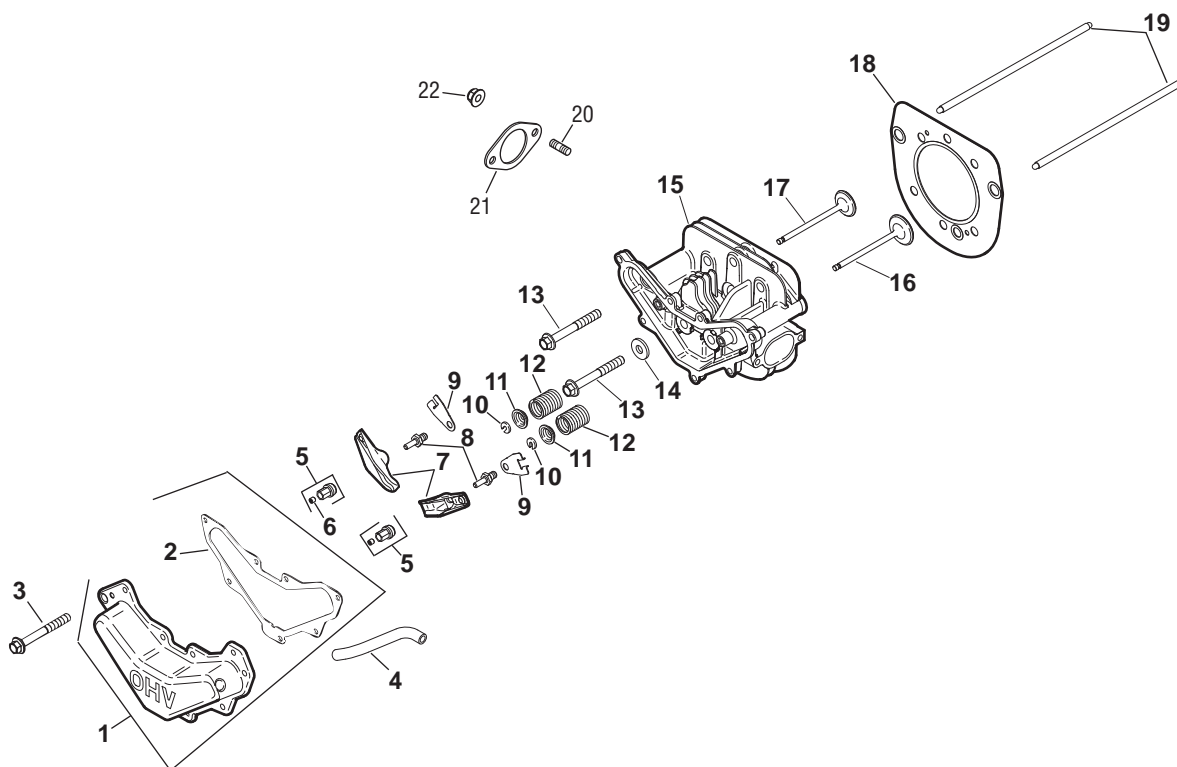
Crankcase and Crankshaft



Crankcase and Crankshaft

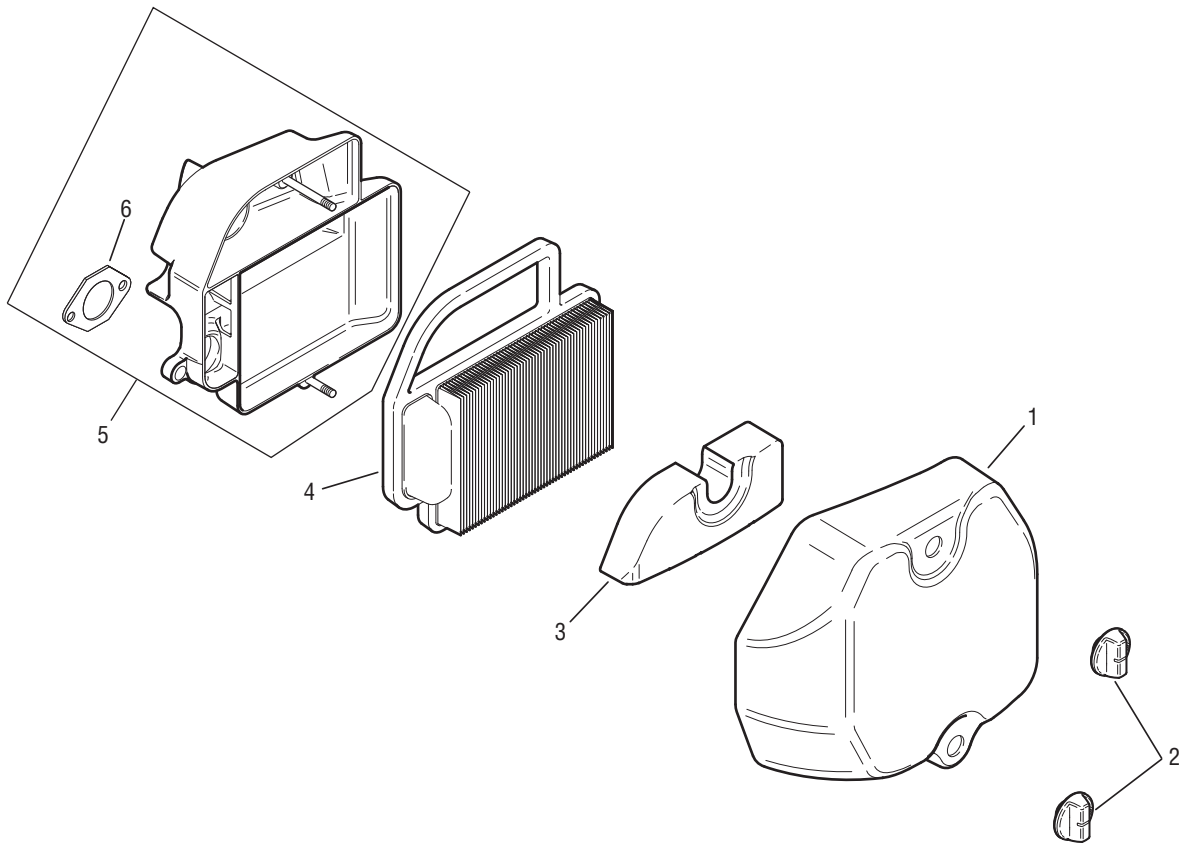
Ref. No.	Part No.	Description
1	—	Crankcase, Use Short Block KH-20-522-02
2	KH-25-139-57-S	Plug, sq. hd. pipe 3/8"
3	KH-20-032-01-S	Seal, oil
4	KH-20-067-04-S	Rod, connecting
5	KH-20-874-05-S	Piston w/ Ring Set (Includes 6,7)
6	KH-20-108-02-S	Ring Set (89 mm)
7	KH-20-018-04-S	Retainer, piston pin
8	KH-20-123-02-S	Tube, drainback
9	KH-20-755-04-S	Kit, balance weight (Includes 10,11)
10	KH-20-086-16-S	Kit, screw/guide pin
11	KH-20-423-02-S	Shoe, guide
12	KH-12-154-05	Clip, hitch pin
13	KH-M-631015	Washer, plain
14	KH-X-25-102-S	Washer, plain
15	KH-20-144-02-S	Shaft, governor cross
16	KH-20-393-02-S	Pump assembly, oil (Includes 17-19)
17	KH-20-112-02-S	Spacer, oil pump screw
18	KH-20-086-13-S	Screw, oil pump
19	KH-20-144-06-S	Shaft center, cam – Exhaust
20	KH-20-468-01-S	Washer, thrust
21	KH-20-090-01-S	Lever assembly, cam (2) (Includes 22)
22	KH-20-086-06-S	Screw, shoulder
23	KH-20-010-04-S	Gear assembly, cam (Includes 24-26)
24	KH-20-089-06-S	Spring, ACR
25	KH-20-044-16-S	Weight, ACR
26	KH-20-468-03-S	Washer, thrust – ACR
28	KH-20-014-20-S	Crankshaft
29	KH-X-42-15	Key 3/16"
30	KH-20-043-12-S	Gear, crankshaft
Not Illustrated		
	KH-20-755-05-S	Gasket Set

Cylinder Head/Valves/Breather



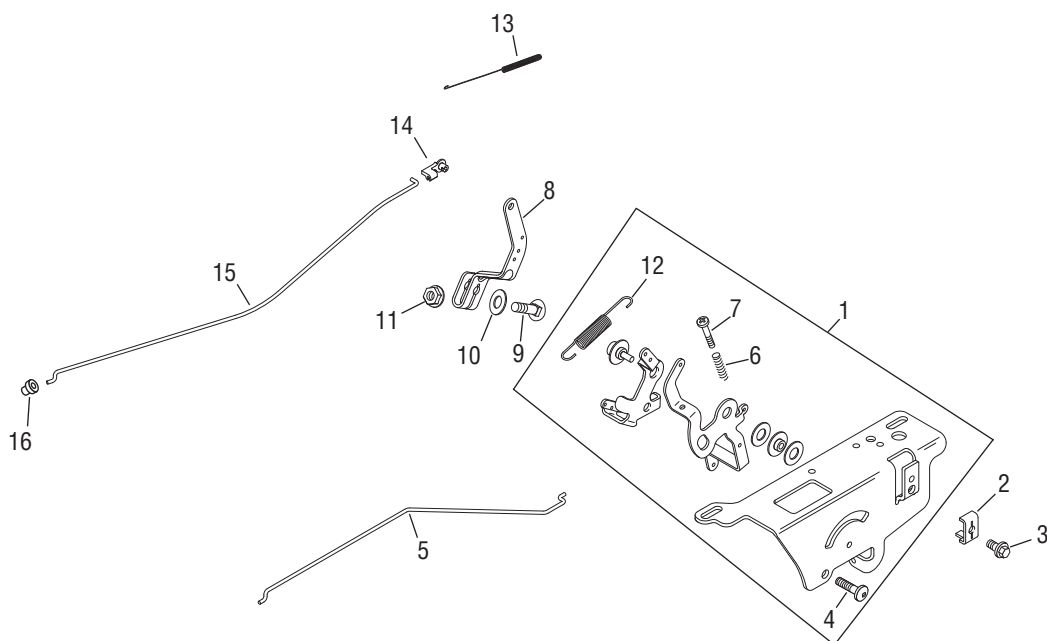
Ref. No.	Part No.	Description
1	KH-20-096-07-S	Kit, Valve Cover (Includes 2)
2	KH-20-041-04-S	Gasket, Valve Cover
3	KH-M-645020-S	Screw, Hex. Flange M6x1.0x20
4	KH-20-326-01-S	Hose, Breather
5	KH-20-599-01-S	Pivot, Rocker Arm
6	KH-20-086-04-S	Screw, Set
7	KH-20-186-01-S	Arm, Rocker
8	KH-20-086-03-S	Stud, Rocker
9	KH-20-146-03-S	Plate, Push Rod Guide
10	KH-20-062-01-S	Lock, Retainer
11	KH-20-173-01-S	Cap, Valve Spring
12	KH-20-089-03-S	Spring, Valve
13	KH-20-086-02-S	Screw, Hex. Flange M10x1.5x37
14	KH-12-468-05	Washer, Flat 1/2"
15	KH-20-318-01-S	Head, Cylinder
16	KH-20-016-01-S	Valve, Exhaust
17	KH-20-017-01-S	Valve, Intake
18	KH-20-841-02-S	Kit, Head Gasket, (Includes 13, 14, KH-12-041-01-S, KH-12-041-02-S & KH-20-041-07-S)
19	KH-20-411-04-S	Rod, Push
20	KH-25-072-04	Stud, Exhaust
21	KH-20-041-12-S	Gasket
22	KH-M-0841080	Nut, Hex Flange M8x1.25

Air Intake/Filtration



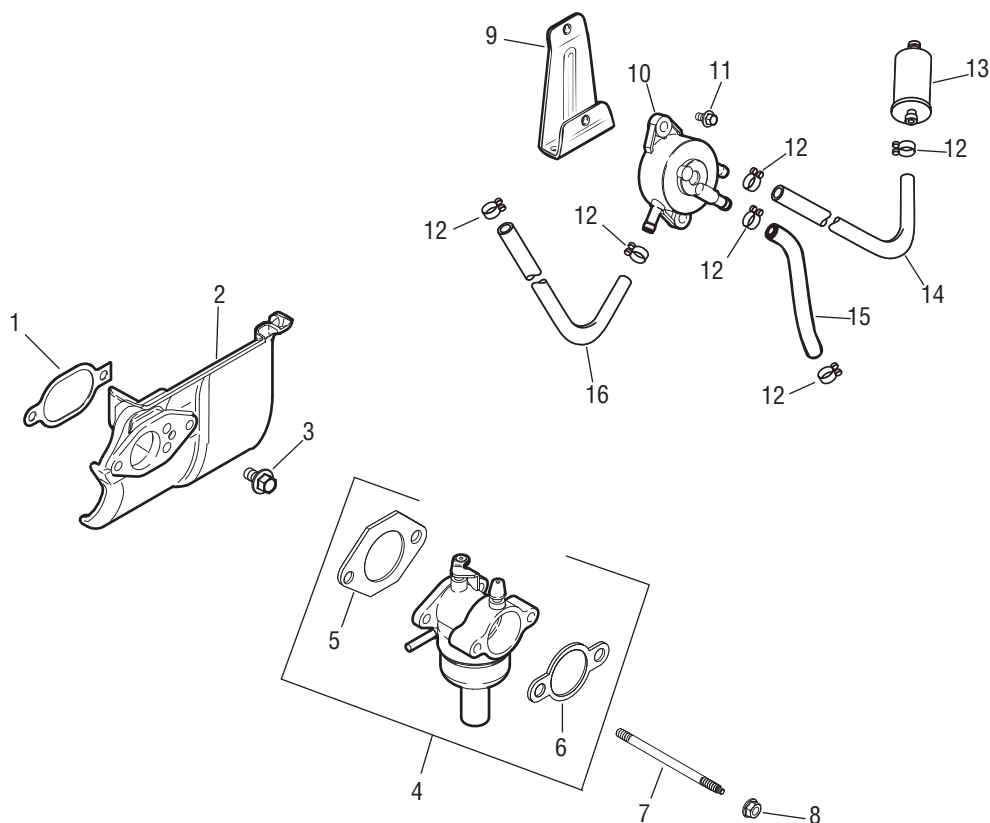
Ref. No.	Part No.	Description
1	KH-20-096-04-S	Cover, air cleaner
2	KH-25-341-04-S	Knob, cover
3	KH-20-083-03-S	Element, precleaner
4	KH-20-083-02-S	Element, air cleaner
5	KH-20-094-01-S	Kit, air cleaner base (Includes 6)
6	KH-12-041-02	Gasket, air cleaner base

Engine Controls



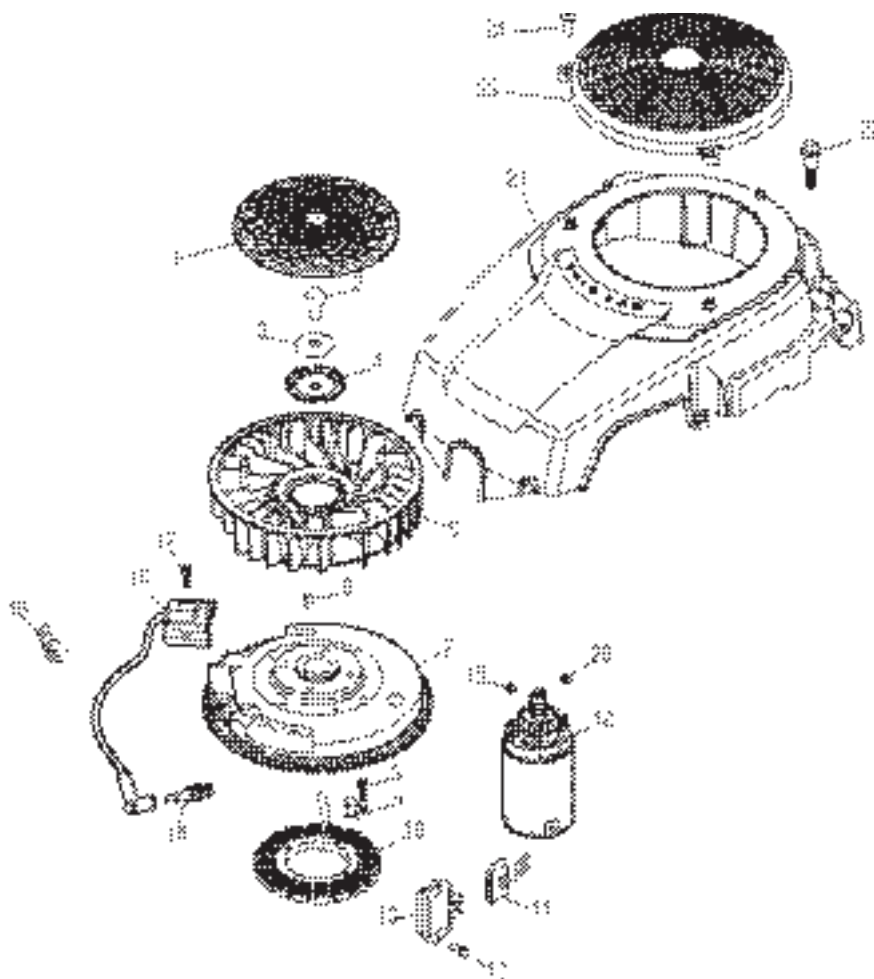
Ref. No.	Part No.	Description
1	KH-20-536-05-S	Control Assembly, Speed (Includes 4,6,7 & 12)
2	KH-12-237-01	Clamp, cable
3	KH-M-545016-S	Screw, hex flange thread forming M5 x 0.8 x 16
4	KH-M-664020-S	Screw, 6 lobed socket thread forming M6 x 1.0 x 20
5	KH-20-079-05-S	Linkage, choke
6	KH-12-089-11	Spring, speed control
7	KH-20-086-10-S	Screw, hex flange thread forming M4 x 0.7 x 25
8	KH-20-090-02-S	Lever, governor
9	KH-52-211-04	Bolt, round head square neck 1/4-20 x 1"
10	KH-X-22-11	Washer, internal tooth lock 1/4"
11	KH-12-100-07	Nut, hex. flange 1/4-20"
12	KH-20-089-11-S	Spring, governor
13	KH-20-089-10-S	Spring, linkage
14	KH-25-158-11	Bushing, throttle linkage
15	KH-20-079-04-S	Linkage, throttle
16	KH-25-158-08	Bushing, linkage retaining

Fuel System



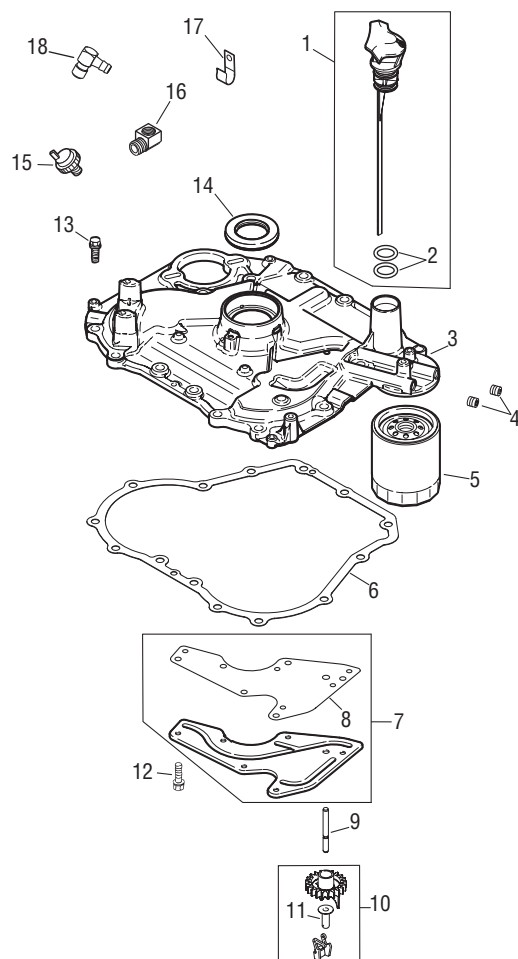
Ref. No.	Part No.	Description	Ref. No.	Part No.	Description
1	KH-20-041-07-S	Gasket, heat deflector	13	KH-25-050-22-S	Filter, fuel
2	KH-20-265-05-S	Deflector, heat	14	KH-20-353-01-S	Line, fuel 15.75" (Pump to Filter)
3	KH-M-651020-S	Screw, hex. flange M6x1.0x20	15	KH-41-353-15-S	Line, fuel 2" (Pump to Carburetor)
4	KH-20-853-16-S	Carburetor w/gaskets (Includes 5,6)	16	KH-52-353-20	Line, fuel 10" (pump to fitting)
5	KH-12-041-01	Gasket, carburetor			NOT ILLUSTRATED
6	KH-12-041-02	Gasket, air cleaner		KH-20-431-01-S	Sleeve, fuel line
7	KH-20-072-05-S	Stud, carburetor mounting		KH-X-22-11	Washer, lock 1/4" (ground)
8	KH-M-641060-S	Nut, hex. flange M6x1.0		KH-12-757-02	Kit, float
9	KH-20-126-02-S	Bracket, fuel pump mounting		KH-12-757-03	Kit, carburetor repair
10	KH-24-393-16	Pump, fuel		KH-12-757-33	Kit, solenoid repair
11	KH-M-545010	Screw, hex. flange		KH-12-757-37-S	Kit, bowl replacement w/gaskets
12	KH-25-237-14-S	Clamp, hose		KH-12-454-03-S	Tie, wire

Starter/Ignition-Electrical/ Blower Housing



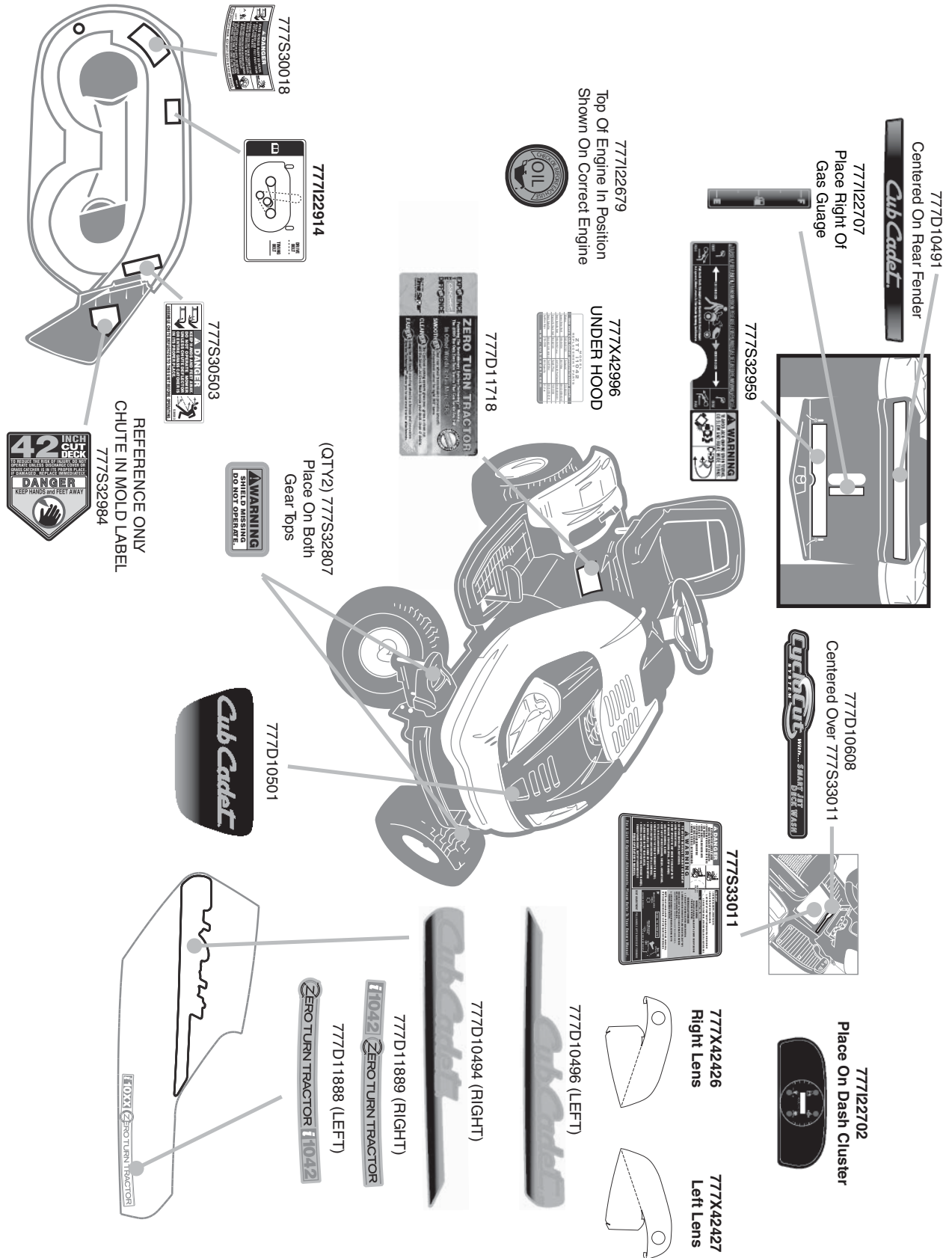
Ref. No.	Part No.	Description	Ref. No.	Part No.	Description
1	KH-20-162-02-S	Screen, Grass	15	KH-231285-S	Clip, Cable
2	KH-12-086-14	Screw, Hex Flange, M10-1.5 x 46	16	KH-20-584-01-S	Module, ignition
3	KH-12-468-03	Washer, Flat	17	KH-M-561025-S	Screw, Hex Socket
4	KH-20-146-02-S	Plate, Fan Mounting	18	KH-20-098-06-S	Starter Ass'y, Inertia Drive
5	KH-20-157-01-S	Fan	19	KH-25-100-31-S	Nut, Hex Serrated Flange
6	KH-X-42-15	Key, Woodruff	20	KH-12-100-07	Nut, Hex Flange 1/4-20
7	KH-20-025-05-S	Flywheel	21	KH-20-755-11-S	Housing, Blower
8	KH-20-086-17-S	Screw, Hex Socket	22	KH-20-086-06-S	Screw, Shoulder M5-0.8 x 36
9	KH-20-154-02-S	Clip, Wire	23	KH-20-314-06-S	Guard, Fixed
10	KH-237878	Kit, Stator	24	KH-24-086-41	Screw, Tapping
11	KH-236602-S	Connector, Body (3 Contact)			NOT ILLUSTRATED
12	KH-M-545020-S	Screw, Hex Flange		KH-20-237-01-S	Clamp, Wire (clamps harness to blower)
13	KH-41-403-09	Rectifier-Regulator		KH-20-176-01-S	Harness, Wiring
14	759-3336	Plug, Spark			

Oil Pan/Lubrication



Ref. No.	Part No.	Description
1	KH-20-040-03-S	Kit, dipstick assembly (Includes 2)
2	KH-20-153-01-S	O-Ring, dipstick
3	KH-20-009-03-S	Plate assembly, closure (Includes 4,10,11)
4	KH-25-139-60-S	Plug, pipe
5	KH-12-050-01-S	Filter, oil
6	KH-20-041-01-S	Gasket, closure plate
7	KH-20-096-02-S	Kit, oil passage cover (Includes 8)
8	KH-20-041-02-S	Gasket, oil passage
9	KH-20-144-03-S	Shaft, governor gear
10	KH-20-310-03-S	Kit, gear and weight assembly (Includes 11)
11	KH-12-380-01	Pin, governor regulating
12	KH-M-545013-S	Screw, hex. flange M5x0.8x13
13	KH-M-851030-S	Screw, hex. flange M8x1.25x30
14	KH-20-032-01-S	Seal, oil
15	KH-25-099-24-S	Switch, pressure
16	KH-25-054-13-S	Elbow, street
17	KH-231285-S	Clip, cable
18	KH-25-155-02	Connector, 90°

Model i1046 Labels



NOTES