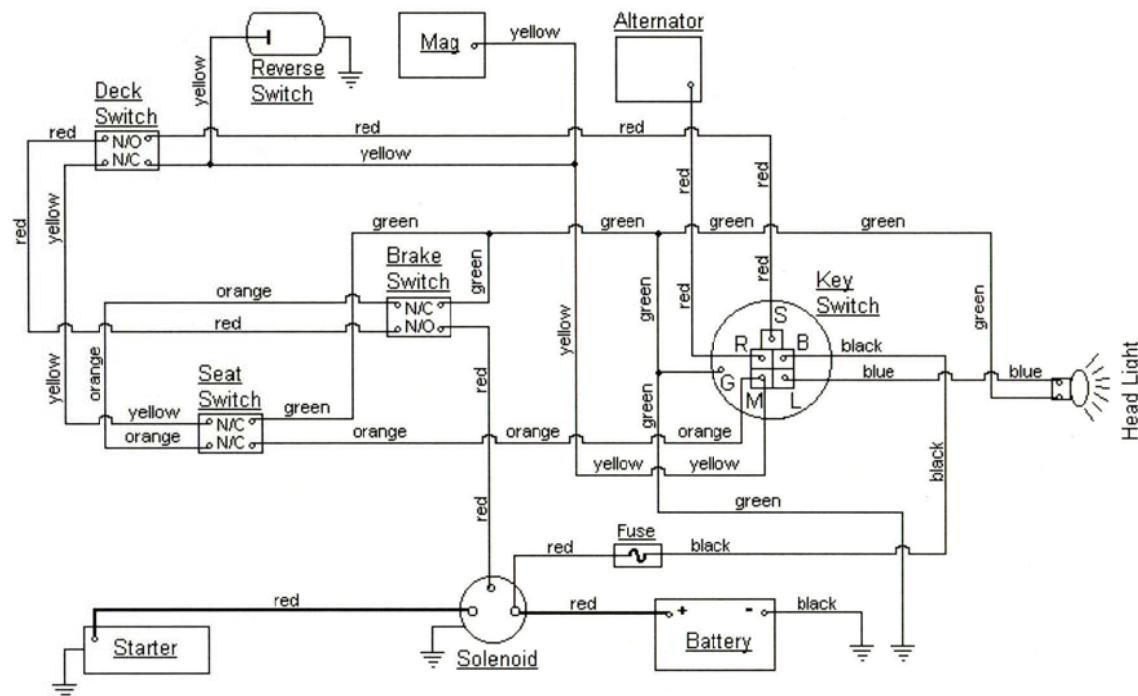


# CUBCADETPARTSNMORE.COM

## 515-266-7944



KEY SWITCH	
OFF	M+G
RUN w/LIGHTS	B+L+R
RUN	B+R
START	B+S

**MODEL 1002**  
**(1990-1991)**