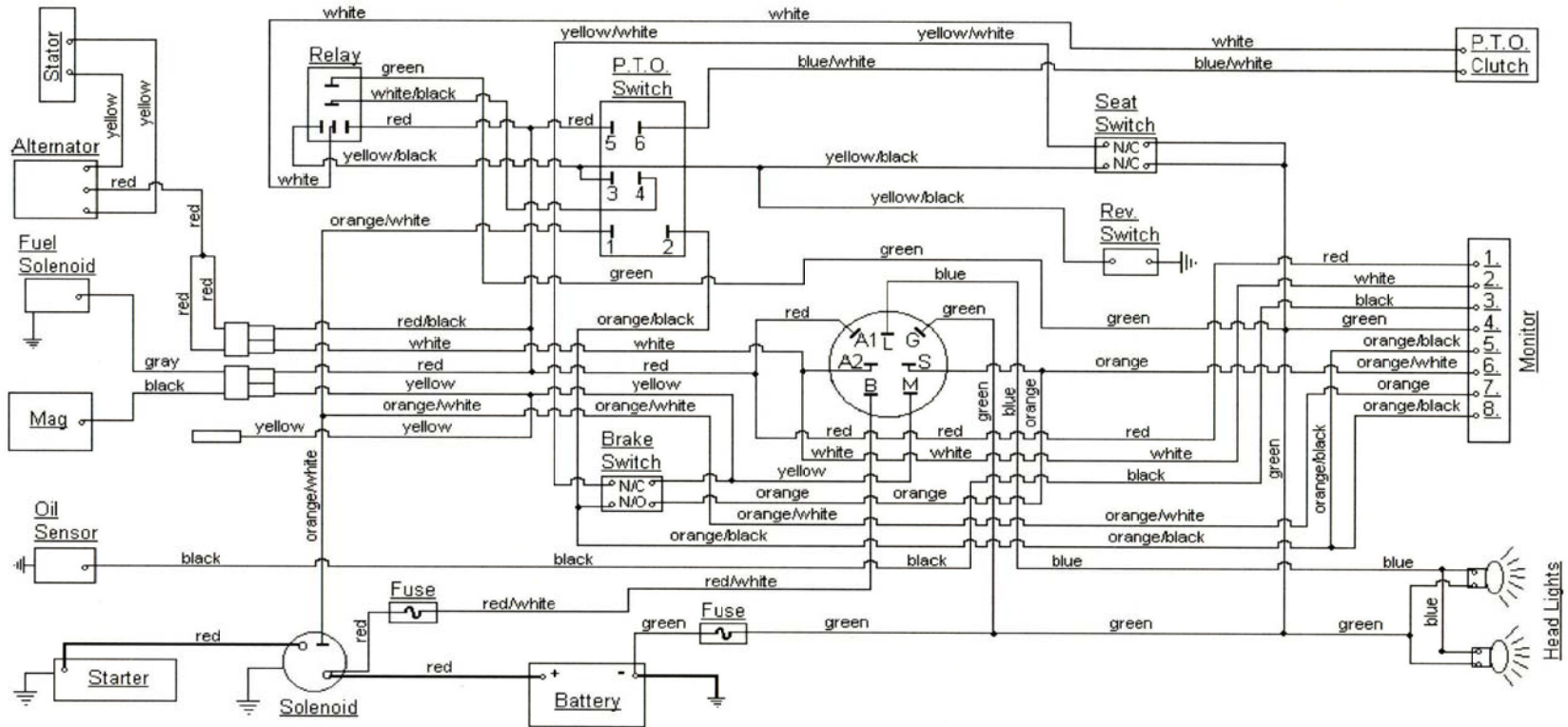


CUBCADETPARTSNMORE.COM 515-266-7944



KEY SWITCH

OFF	M+G+A1
RUN w/LIGHTS	B+A1 / L+A2
RUN	B+A1
START	B+S+A1

DASH MONITOR

1:	HOUR METER	5:	BRAKE +
2:	BATTERY	6:	BRAKE -
3:	LOW OIL	7:	P.T.O. -
4:	GROUND	8:	P.T.O. +

**MODEL 1800
HARNESS NUMBER (629-0928)
MONITOR NUMBER (725-1743)**