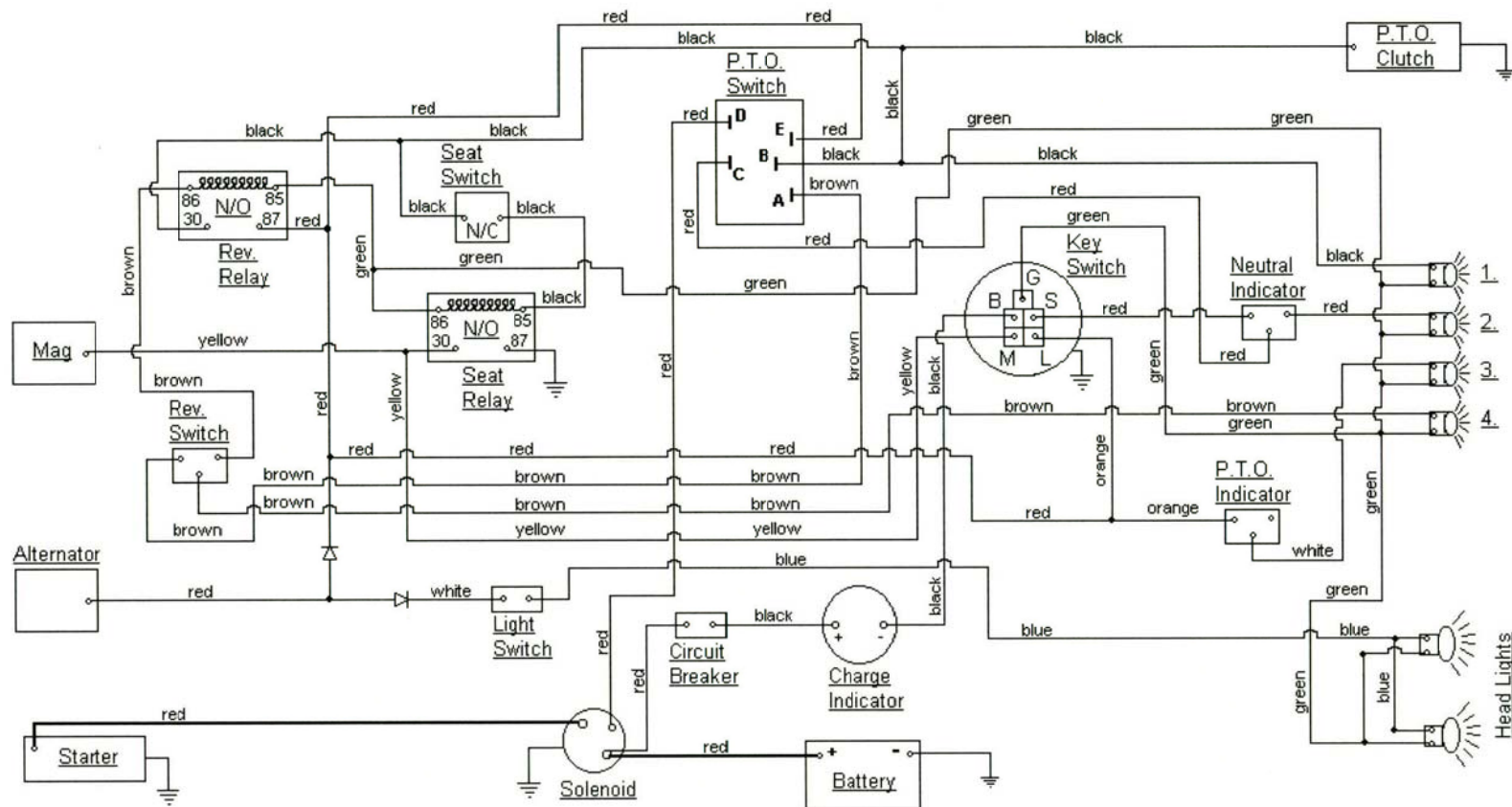


MODEL 1110

B19.

CUBCADETPARTSNMORE.COM

515-266-7944



PTO SWITCH

OFF	D+C
ON	B+A
START	B+A+E

KEY SWITCH

OFF	M+G
RUN	B+L
START	B+S

DASH LIGHTS

- | |
|-------------------------|
| 1: P.T.O. ON |
| 2: PLACE IN NEUTRAL |
| 3: IN REVERSE GEAR |
| 4: DO NOT ENGAGE P.T.O. |