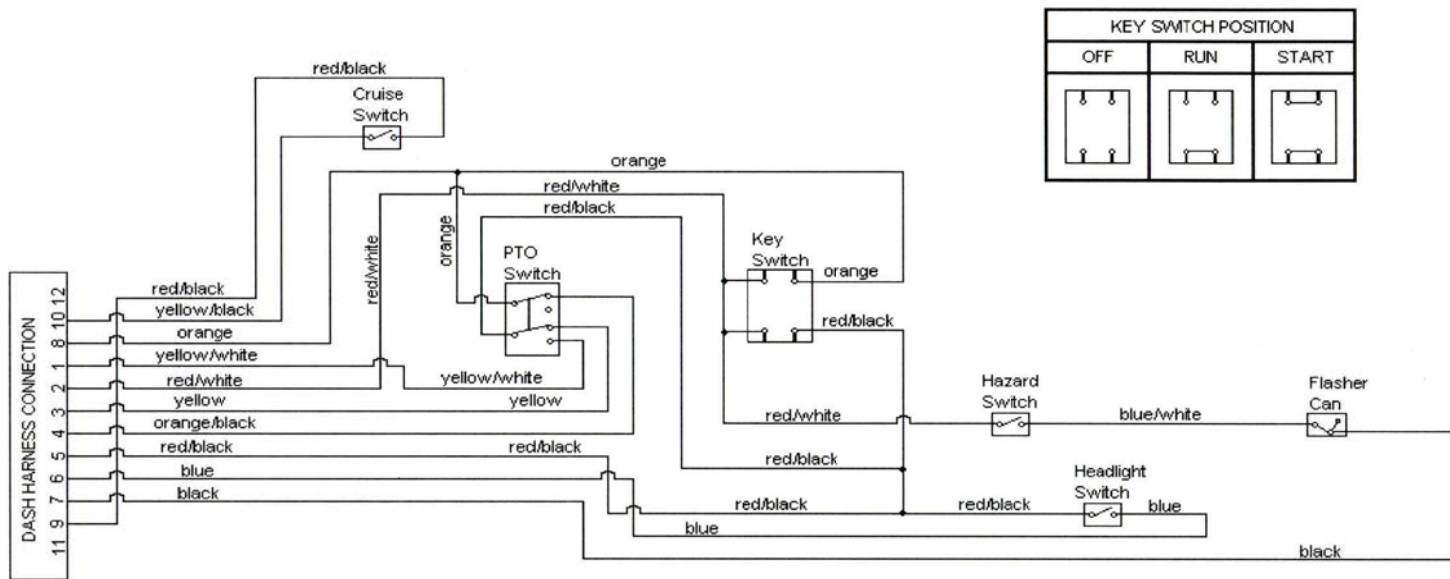


INSTRUMENT CLUSTER CONNECTION

1.-- Cruise Contol Input	8.-- Ground	15.-- +12 Volts	22.-- Open
2.-- Oil Pressure	9.-- Reverse	16.-- Start Input	23.-- Open
3.-- Headlights	10.-- LeftArrow	17.-- Temp Send Unit	
4.-- Reverse Override	11.-- Glow Plugs	18.-- Run Input	
5.-- PTO On	12.-- Tach Sending Unit	19.-- Open	
6.-- PTO Relay	13.-- Magneto	20.-- Brake On	
7.-- Fuel Gauge Unit	14.-- Cruise Control Mag.	21.-- Right Arrow	

NOTE: (A). Fuse Supplied By Operator.



KEY SWITCH POSITION		
OFF	RUN	START

MODEL 5252 ENGINE HARNESS

629-04066

