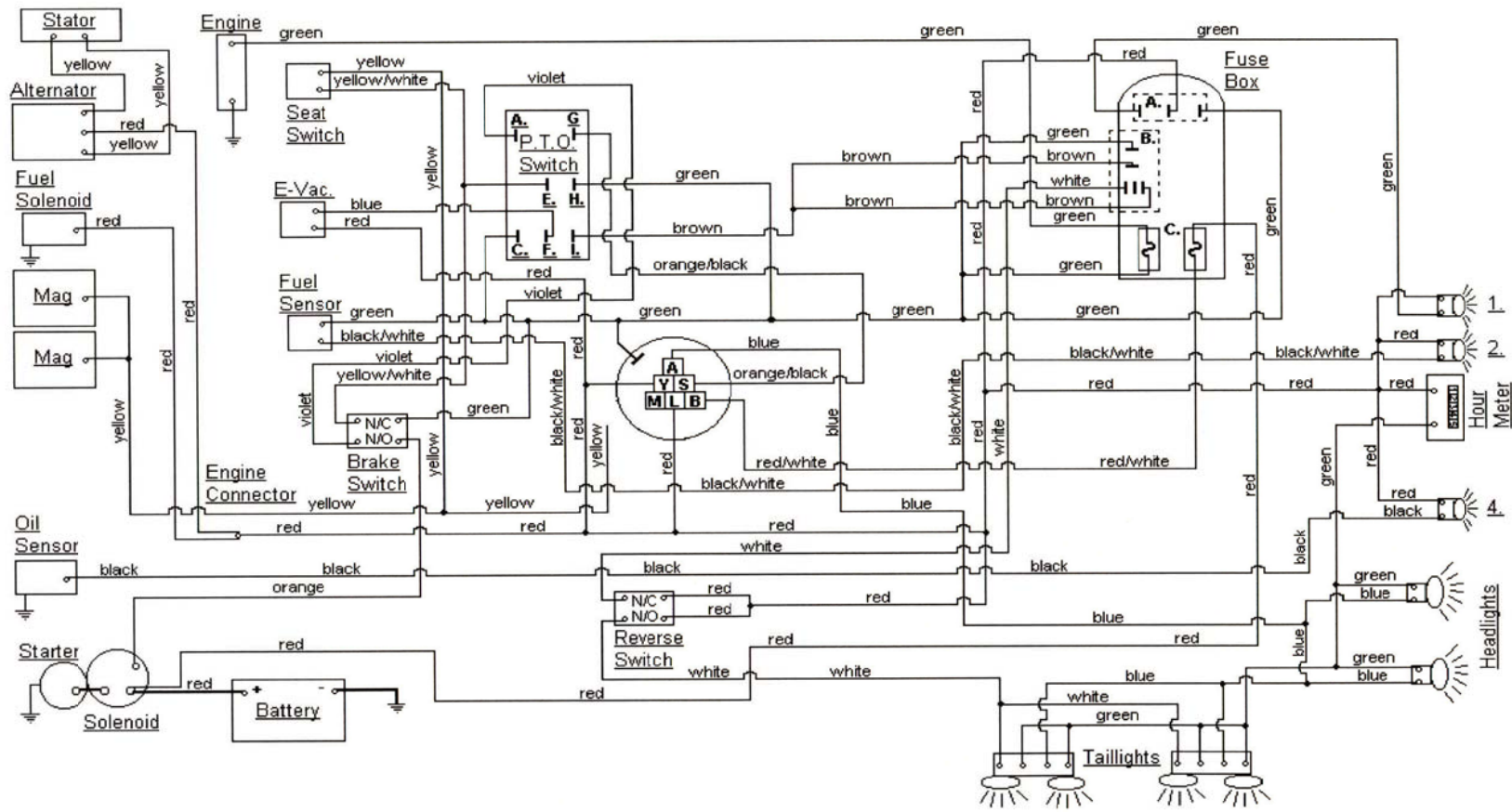


MODEL 3165 (1998-1999)



KEY SWITCH

OFF	M+G
RUN w/LIGHTS	B+A+L+Y
RUN	B+L
START	B+L+S

DASH LIGHTS

1:	LOW VOLTAGE
2:	LOW FUEL
4:	LOW OIL

FUSE BOX

A:	VOLTAGE SENSOR
B:	RELAY
C:	FUSES