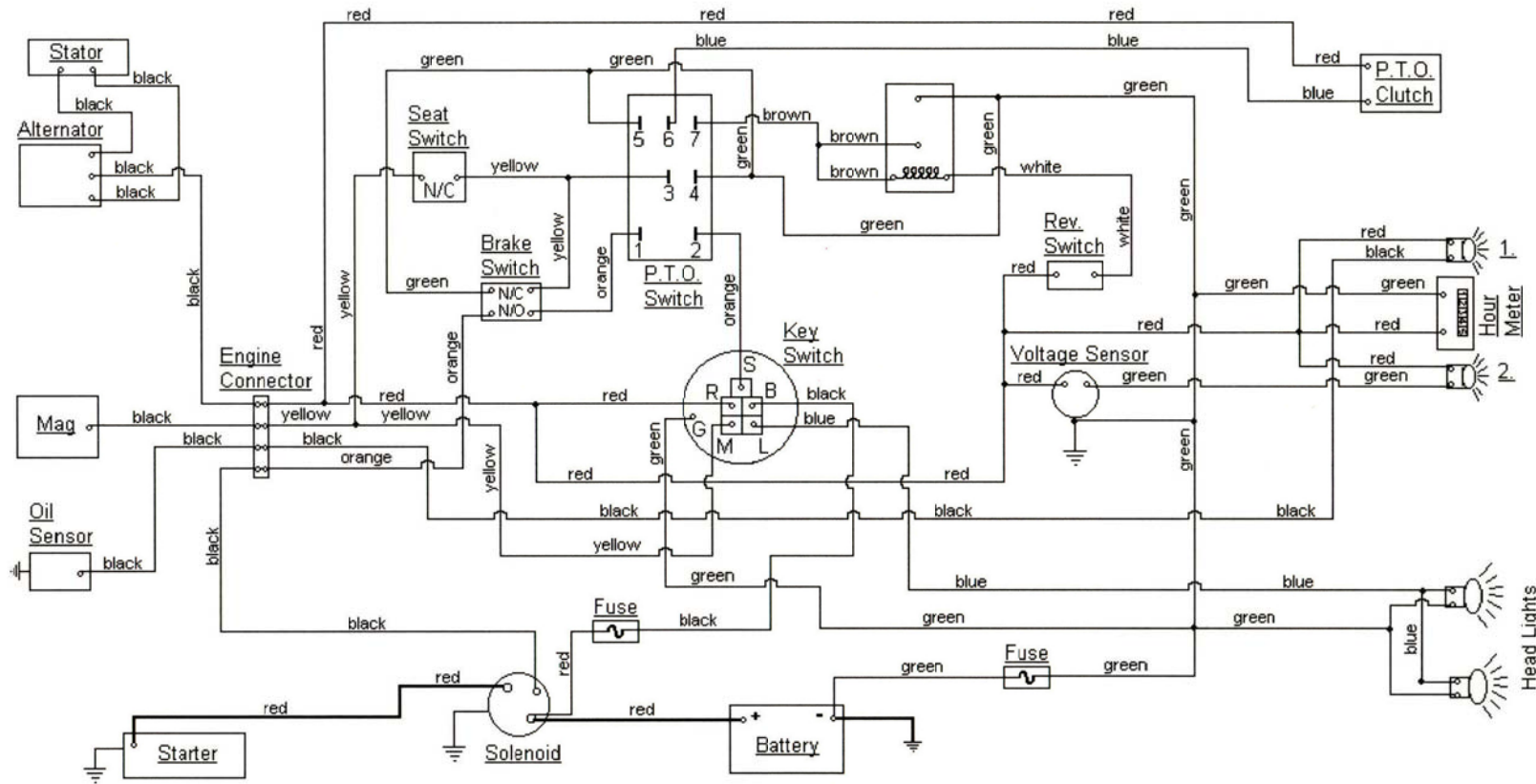


**MODEL 2140 (1994-1995)
SERIAL NUMBERS (239,001 - 326,000)**

HARNESS 629-3011



KEY SWITCH

OFF	M+G
RUN w/LIGHTS	B+R+L
RUN	B+R
START	B+S

DASH LIGHTS

1:	LOW OIL
2:	AMP

CUBCADETPARTSNMORE.COM
515-266-7944