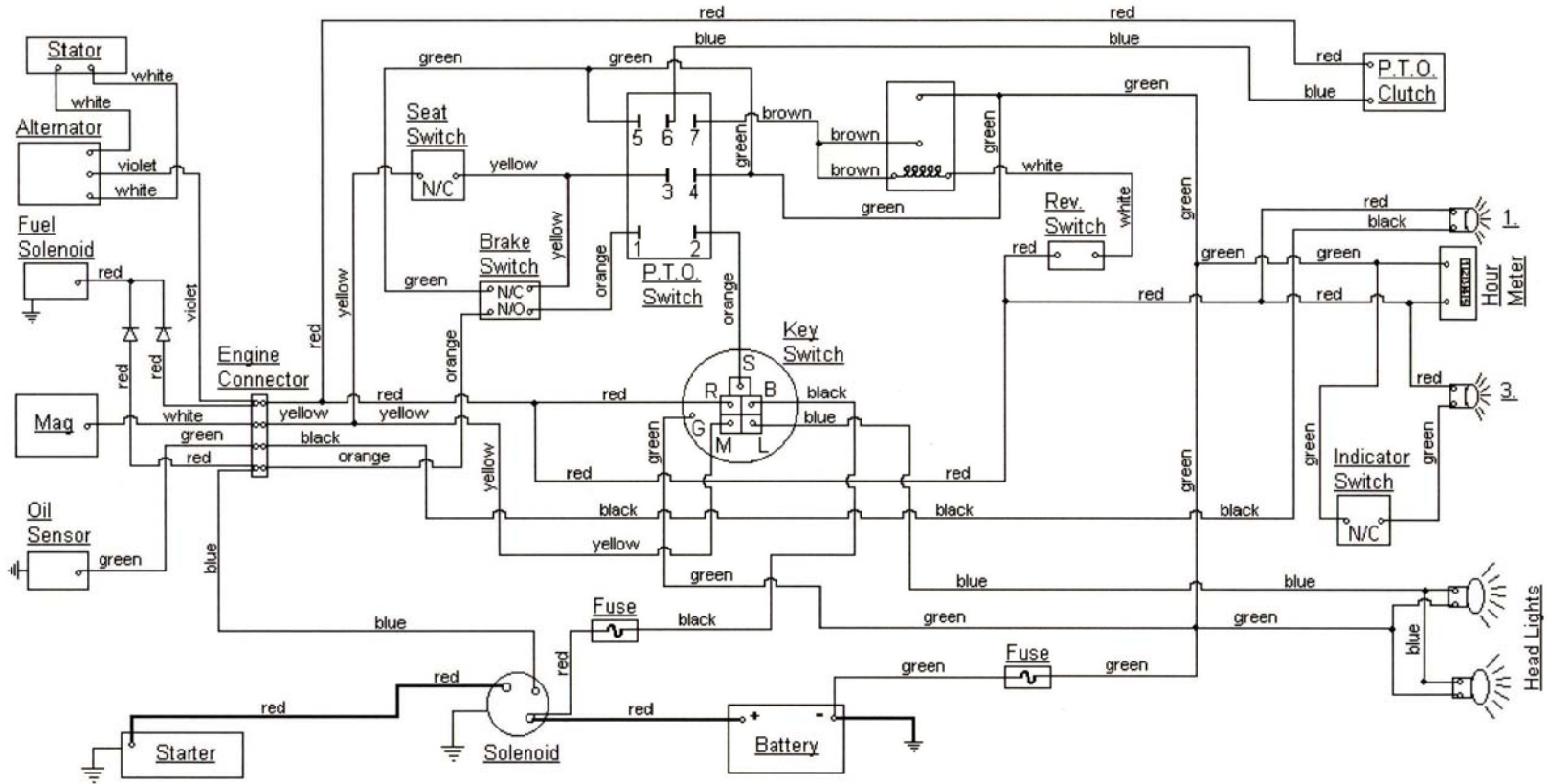


MODEL 2130 (1999-2000)
SERIAL NUMBERS (I018G3 - Above)



KEY SWITCH

OFF	M+G
RUN w/LIGHTS	B+R+L
RUN	B+R
START	B+S

DASH LIGHTS

1:	LOW OIL
3:	DEPRESS PEDAL