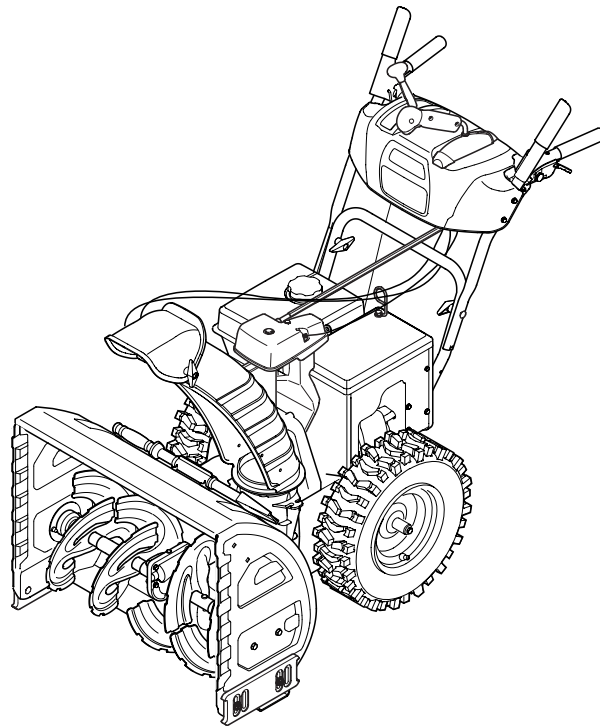

Cub Cadet.

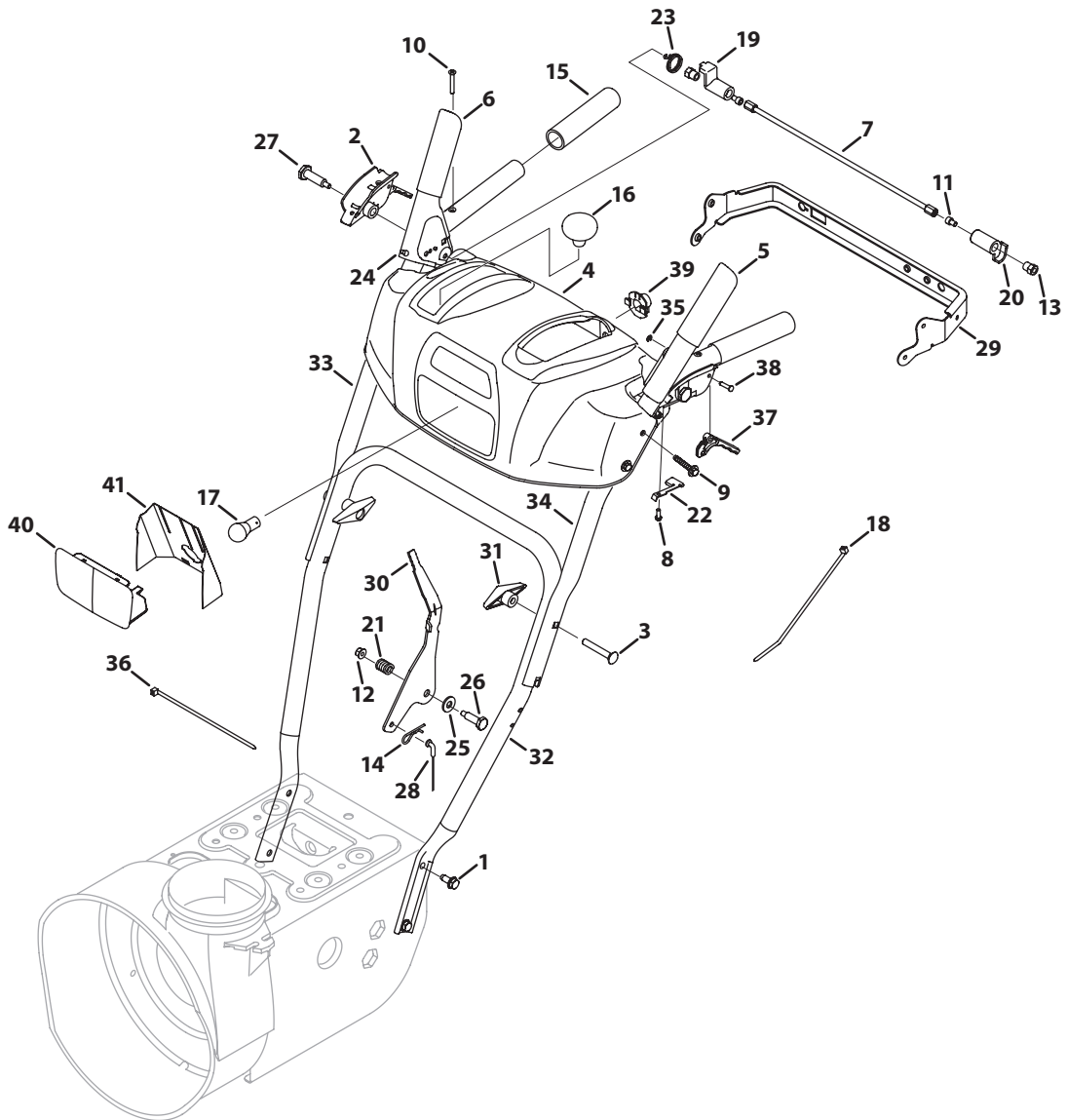
ILLUSTRATED PARTS MANUAL



500 Series Snow Thrower — 524 SWE & 528 SWE

CUB CADET LLC, P.O. BOX 361131 CLEVELAND, OHIO 44136-0019

T-Style Handle, Frame & Discharge Chute

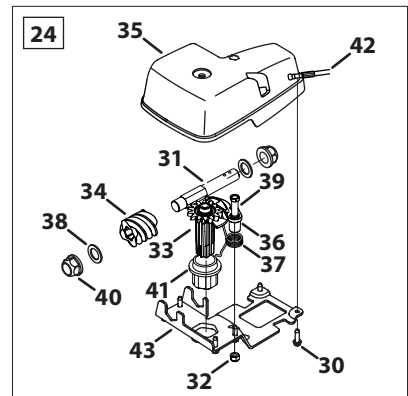
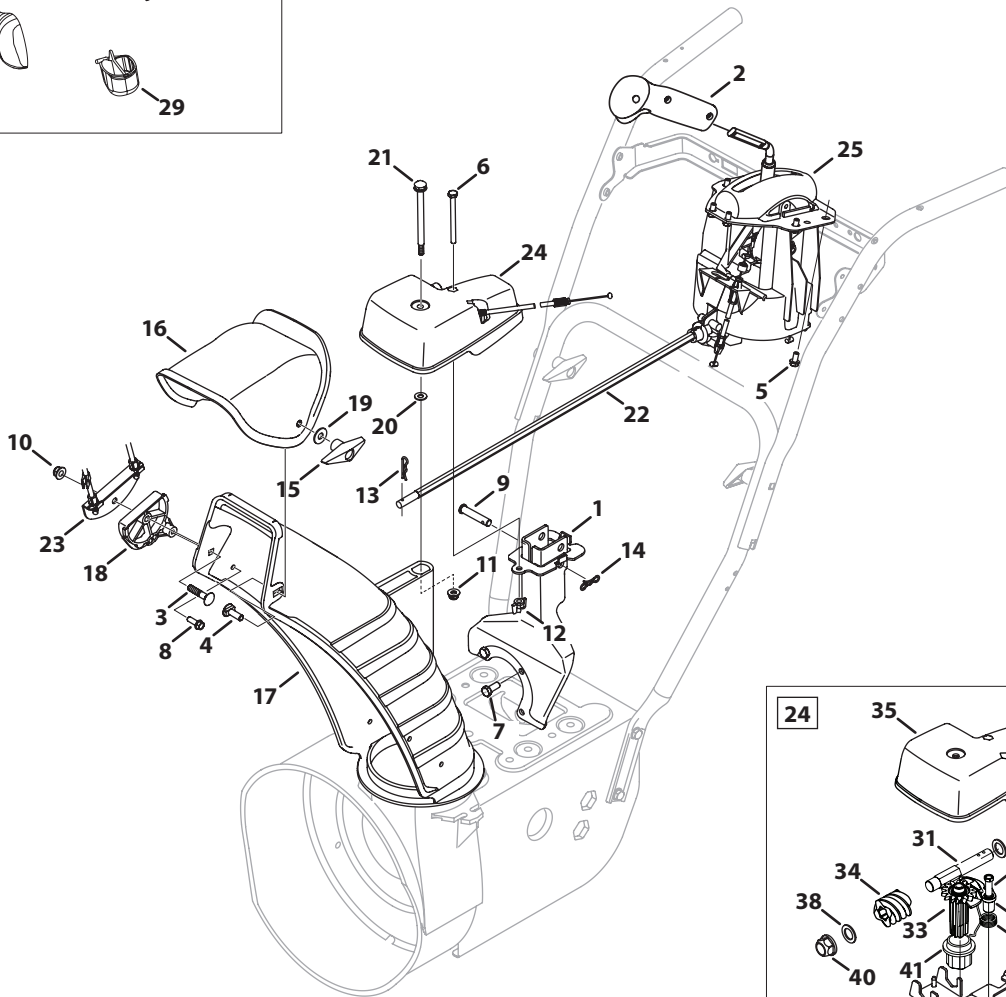
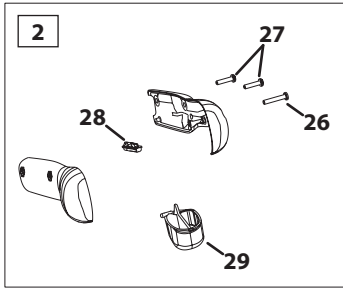


T-Style Handle, Frame & Discharge Chute

Ref.	Part Number	Description
1	710-04484	Hex Screw, 5/16-18 x .750
2	631-04133A	Handle Clutch Lock LH Assy
—	631-04134B	Handle Clutch Lock RH Assy
3	710-0572	Carriage Screw, 5/16-18 x 2.25
4	931-04187A	Handle Panel, includes Ref. 40 & 41
5	684-04105B	Handle Engagement Assembly LH
6	684-04106B	Handle Engagement Assembly RH
7	684-04250	Pivot Rod
8	710-04326	Screw, 8-16 x 0.50
9	710-04586	Screw, 1/4-20 x 1.625
10	710-1233	Screw, 10-24 x 1.375
11	710-3069	Socket Screw, 1/4-20 x .50
12	712-04064	Flange Lock Nut, 1/4-20
13	712-04081A	Shoulder Nut, 1/4-20
14	914-0145	Click Pin, .092 x 1.64
15	720-0274	Handle Grip
16	720-04039	Shift Knob
17	925-0963	Lamp (28")
—	725-1629	Lamp (24")
18	926-0154	Cable Tie
19	731-04894D	Lock Plate
20	731-04896B	Clutch Lock Cam

Ref.	Part Number	Description
21	732-0193	Compression Spring
22	732-04219C	Clutch Lock Spring
23	732-04238	Torsion Spring
24	935-0199A	Rubber Bumper
25	936-0267	Flat Washer, .385 x .87 x .06
26	738-04125	Shoulder Screw, .374 x 1.05
27	738-04348	Shoulder Screw, 1/4-20 x 1.345
28	946-04396A	Speed Cable Selector
29	790-00248B-0637	Panel Bracket
30	790-00311A-0637	Shift Lever
31	720-04072A	Wing Knob
32	749-04138A-0637	Lower Handle
33	749-04190A-0637	Upper Handle RH
34	749-04191A-0637	Upper Handle LH
35	716-04036	E-Ring
36	725-0157	Cable Tie
37	731-04954	Clutch Trigger
38	738-04126	Pin, 3/16
39	925-1649	Light Socket
40	731-05324	Lens
41	777X41804	Lens Label
NS	725-04314	Snow Harness

Chute Control

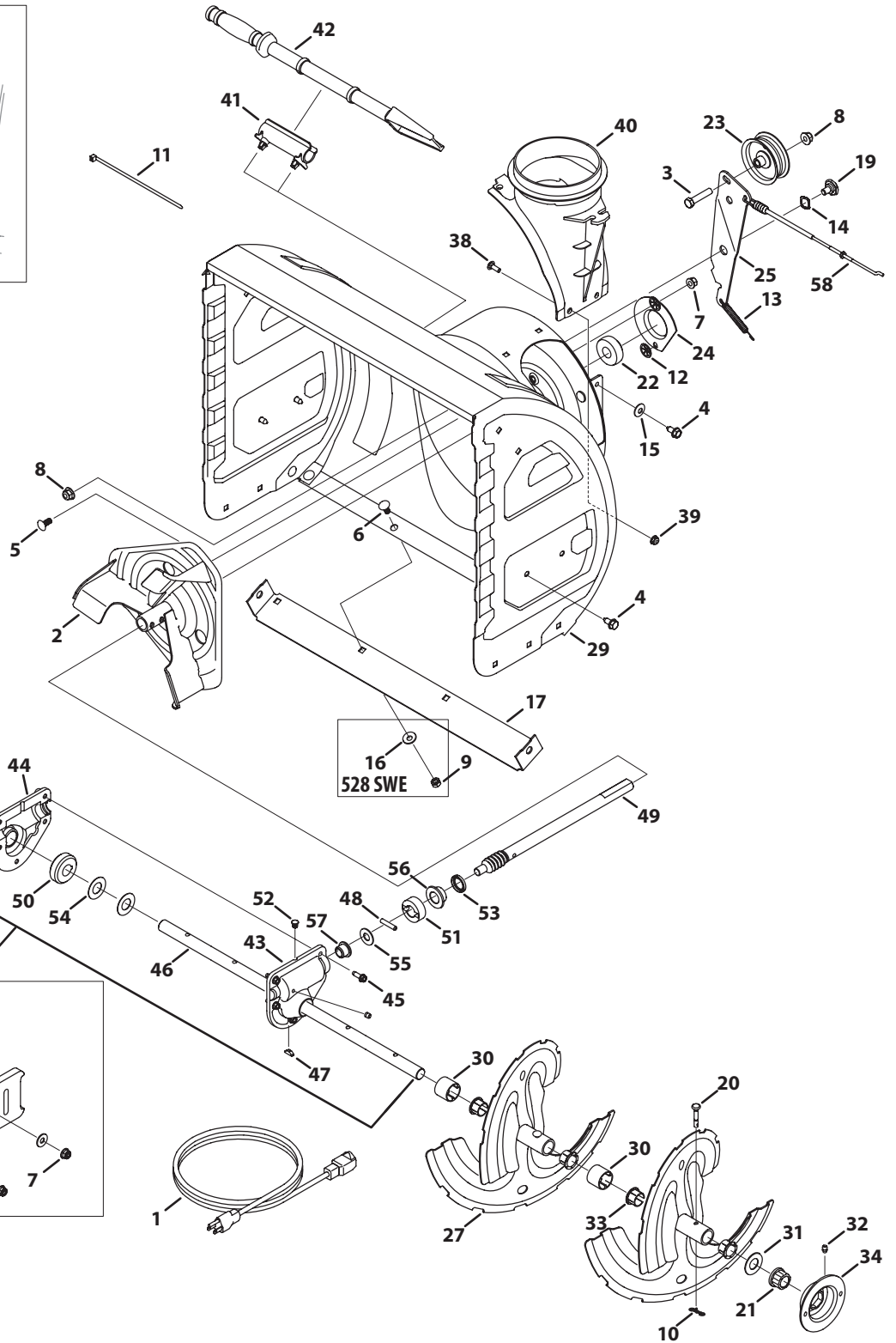
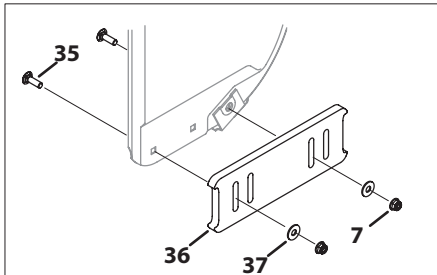
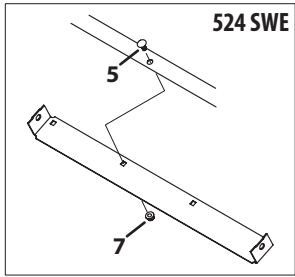
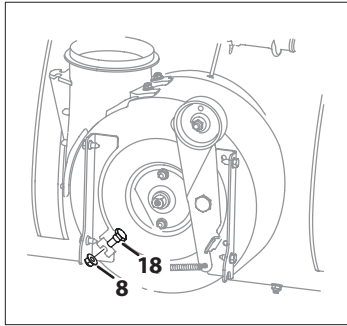


Chute Control

Ref.	Part Number	Description
1	684-04311A-0637	Chute Support Bracket
2	753-06151	Handle Assembly
3	710-0262	Bolt, Carriage, 5/16-18 x 1.50
4	710-04071	Bolt, Carrier, 5/16-18 x 1.00
5	710-04187	Screw, HL, 1/4-15 x 0.50
6	710-04370	Hex Head Screw, 1/4-20 x 3.00
7	710-0627	Hex Head Screw, 5/16-24 x .750
8	710-0895	Screw, HL, 1/4-15 x 0.750
9	711-04469A	Clevis Pin, 3/8 x 1.87
10	712-04063	Nut, Flangelock, 5/16-18
11	712-04064	Nut, Flangelock, 1/4-20
12	712-3087	Wing Nut, 1/4-20
13	914-0101	Internal Cotter Pin
14	714-04040	Bow-Tie Cotter Pin
15	720-04072A	Star Knob, 5/16-18
16	731-04427A	Chute, Upper
17	731-06440A	Chute, Lower
18	731-06451	Cable Guide, Chute Tilt
19	936-0159	Washer, Flat, .349 x .879
20	736-04446	Washer, Flat, .25 x .630
21	738-04367	Screw, Shoulder, .312 x 3.5 x 1/4-20
22	747-05116	Chute Rod, 3/8 Hex

Ref.	Part Number	Description
23	784-5594-0637	Cable Bracket
24	918-04801	Gearbox Assembly, Chute Rotation
25	984-04338	Chute Control, 4-Way
26	710-04353	Screw, #8 x 1.00
27	710-04879	Screw, 8-32 x .750
28	731-04893A	Joystick Plug
29	731-07031	Joystick Trigger
30	710-04373A	Screw, 12-16 x .75
31	711-05186	Hex Shaft
32	712-0896	Hexlock Nut, 1/4-28
33	717-04667	Gear, 14 T
34	717-04672	Worm
35	731-06906	Gear Cover
36	731-06943	Pawl Lock
37	732-04638B	Torsion Spring, .721 ID x .474
38	736-0290	Washer, Flat, .625 x 1.0 x .067
39	738-04391	Screw, Shoulder, .340 x .950 x 1/4-28
40	941-0225	Hex Bearing
41	741-04388	Flange Bearing
42	946-04619A	Cable Lock
43	790-00342A-0637	Gear Bracket

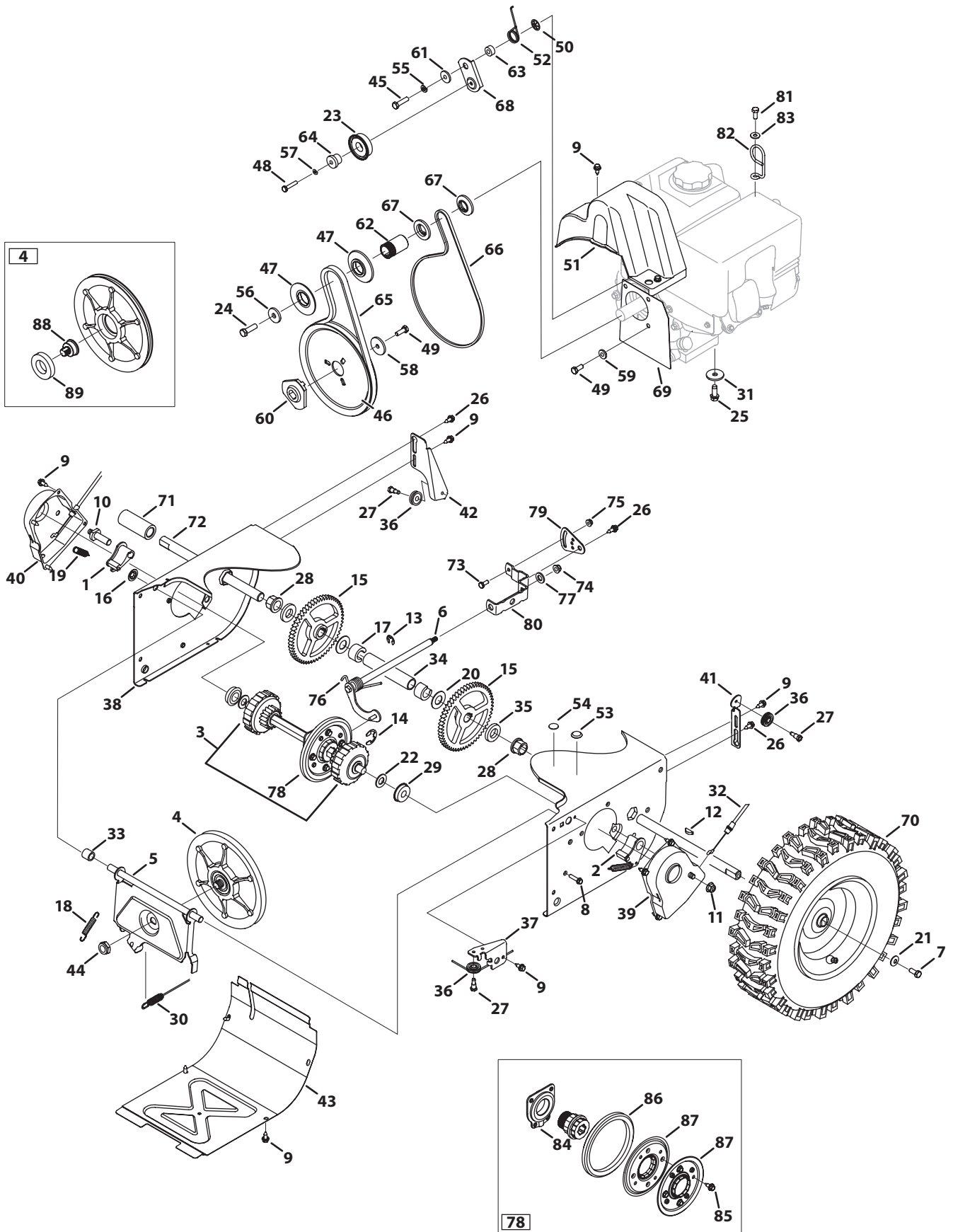
Auger & Auger Housing



Auger & Auger Housing

Ref.	Part Number	Description	Ref.	Part Number	Description
1	929-0071	Extension Cord	30	731-04870	Spacer, 1.25 x .75 x 1.00
2	684-04057A-0637	Impeller Assembly	31	736-0188	Flat Washer, .76 x 1.49 x .06
3	710-0347	Hex Bolt, 3/8-16 x 1.75	32	937-3000	Drive Lube Fitting
4	710-04484	Taptite Screw, 5/16-18 x .750	33	741-0493A	Flange Bushing, .800 x .910
5	710-0451	Carriage Bolt, 5/16-18 x .750, Grade 5	34	790-00138A-0637	Bearing Housing
6	710-04525	Carriage Bolt, 5/16-18 x .750, Steel	35	710-0276	Spacer, Carriage, 5/16-18 x 1.00
7	712-04063	Flange Lock Nut, 5/16-18	36	731-06931	Deluxe Slide Shoe
8	712-04065	Flange Lock Nut, 3/8-16	37	936-0159	Washer, Flat, .349 x .879 x .063
9	712-04103	Hex Nut, 5/16-18	38	710-0703	Carriage Screw, 1/4-20 x 0.75
10	714-04040	Bow Tie Cotter Pin	39	712-04064	Flange Lock Nut, 1/4-20
11	725-0157	Cable Tie	40	731-04705C	Chute Adapter
12	926-04012	Push-On Nut, .25 Dia.	41	731-2635	Clean-out Tool Mtg. Bracket
13	732-04460	Extension Spring, .38 OD x 4.59	42	731-2643	Clean-Out Tool
14	736-0174	Wave Washer, .625 x .885 x .0175	43	918-0123A	Housing Assembly - RH
15	736-0242	Bell Washer, .340 x .872 x .060	44	918-0418A	Housing Assembly - LH
16	736-04216	Bell Washer, .340 x .872 x .060, Steel	45	710-0642	Taptite Screw, 1/4-20 x 0.75
17	790-00145	Stainless Steel, Shave Plate, 28"	46	711-04283	Axle, Auger, 28"
—	790-00120-4021	Stainless Steel, Shave Plate, 24"	—	711-04285	Axle, Auger, 24"
18	738-0143	Shoulder Screw, 3/8-16 x .496 x .336	47	914-0161	Hi-Pro Key
19	938-0281	Shoulder Screw, 3/8-16 x .625 x .17	48	715-04021	Dowel Pin, .25OD x 1.25
20	738-04124A	Shear Pin	49	917-04126	Worm Shaft
21	941-0245	Hex Flange Bearing	50	917-0528A	Worm Gear, 20T, 28"
22	941-0309	Flange Ball Bearing, .75 x 1.85	—	717-04449	Worm Gear, 20T, 24"
23	756-04224	Flat Idler Pulley	51	718-04071	Thrust Collar
24	790-00075	Bearing Housing	52	721-0325	Plug, 1/4 x .437
25	790-00080A-0637	Auger Idler Bracket	53	721-0327	Oil Seal, .75 x 1.131 x .188
26	918-04193A	Gearbox Assembly, Auger, 28"; includes Ref. 44 - 57	54	936-0351	Flat Washer, .76 x 1.5
—	918-04191A	Gearbox Assembly, Auger, 24"; includes Ref. 44 - 57	55	736-3084	Flat Washer, .51 x 1.12 x .06
27	684-04107-0637	Spiral Assembly - LH	56	741-0662	Flange Bearing, .75 x 1.00 x .59
28	684-04108-0637	Spiral Assembly - RH	57	741-0663	Flange Bearing, .50 x .75 x .59
29	984-04257-4021	Auger Housing, 28"	58	746-04230	Auger Clutch Cable
—	684-04259-4021	Auger Housing, 24"			

Drive System



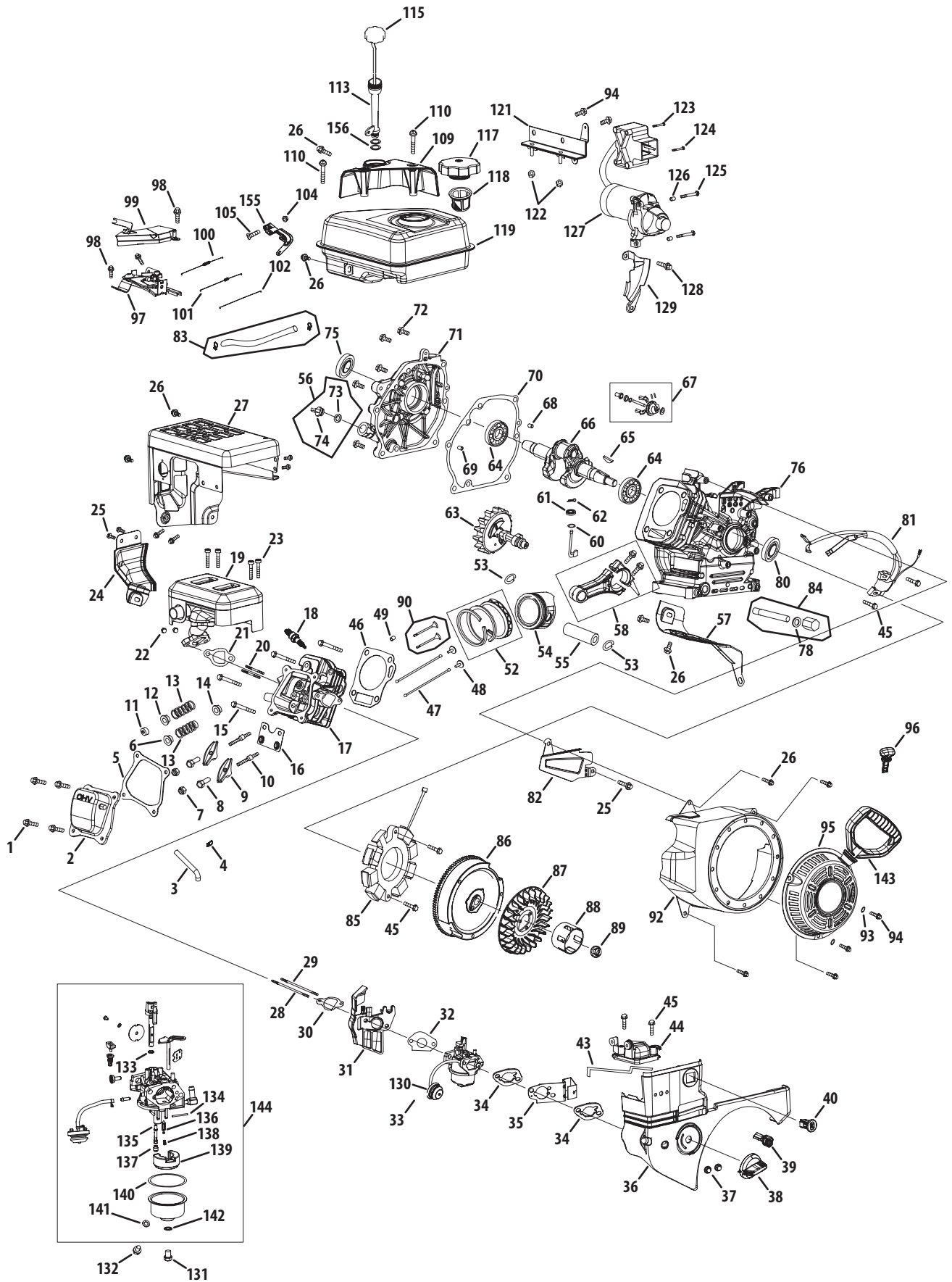
Ref.	Part Number	Description
1	618-04287	Dogg Assembly, RH
2	618-04288	Dogg Assembly, LH
3	918-04322A	Drive Shaft Assembly
4	656-04025A	Friction Wheel Disc Assembly
5	684-04154-0637	Friction Wheel Support Bracket
6	684-04156A	Rod Shift Assembly
7	710-0627	Hex Head Screw, 5/16-24 x .750
8	710-0788	Screw, 1/4-20 x 1.000
9	710-1652	Screw, 1/4-20 x .625
10	711-1268B	Actuator Shaft
11	712-04065	Nut, Flangelock, 3/8-16
12	914-0126	Hi-Pro Key, 3/16 x 3/4 DIA
13	916-0104	E-Ring
14	716-0136	Retainer Ring
15	917-04210	Gear, 56T
16	726-0221	Nut, Speed, .500
17	731-05297	Spacer, .76 x .75
18	932-0264	Extension Spring, .380 x 2.500
19	732-04345	Extension Spring, .500 x 1.71
20	736-0188	Washer, Flat, .76 x 1.49
21	736-0242	Washer, Bell, .340 x .872
22	736-0626	Washer, Flat, .58 x 1.125
23	684-04169	Idler Pulley Assembly
24	710-0191	Hex Head Screw, 3/8-24 x 1.25
25	710-0654A	Taptite Sems Screw, 3/8-16 x 1.000
26	738-04184A	Screw, Shoulder, .368 x .113 x 1/4-20
27	738-0924A	Screw, Shoulder, .340 x .335 x 1/4-28
28	941-0245	Hex Flange Bearing, .75 ID
29	741-04076	Ball Bearing, .5625 x 1.375 x .4375
30	746-04229	Drive Clutch Cable
31	736-0320	Washer, Flat, .38 x 1.38
32	946-0956B	Steering Cable
33	748-0190	Spacer, .508 x .75
34	750-04474	Axle Support Tube
35	750-0767	Spacer, Axle
36	756-0625	Cable Roller
37	790-00096-0637	Auger Cable Guide Bracket
38	790-00183B-4021	Wheel Drive Frame
39	790-00185-4021	Shaft Retainer, LH
40	790-00186-4021	Shaft Retainer, RH
41	790-00206A-0637	Auger Clutch Cable Guide Bracket
42	790-00207B	Drive Clutch Cable Guide Bracket

Ref.	Part Number	Description
43	790-00316-4021	Frame Cover
44	712-0417A	Nut, Flange, 5/8-18
45	710-0672	Hex Head Screw, 5/16-24 x 1.25
46	756-04109	Auger Pulley, 8.1 x .5
47	756-04113	Pulley, Half, 2.600
48	710-0809	Taptite Screw, 1/4-20 x 1.250
49	710-1245B	Hex Head Screw, 5/16-24 x .875
50	926-04012	Nut, Push-On, .25 DIA
51	731-06401	Belt Cover, 4-Way (528)
—	731-05353	Belt Cover (524)
52	732-04308A	Spring, Torsion, .850 x .333
53	735-04099	Plug, 3/8 ID
54	735-04100	Plug, 1/2 ID
55	936-0119	Washer, Lock, 5/16
56	736-0247	Washer, Flat, .406 x 1.25
57	936-0329	Washer, Lock, 1/4
58	736-0505	Washer, Flat, .34 x 1.50
59	748-0234	Shoulder Spacer
60	748-04053A	Pulley Adapter, .75 DIA
61	748-04112B	Spacer, Shoulder, .3175 x .500
62	750-04303	Spacer, .875 x 1.185
63	750-04477A	Spacer, .340 x .750
64	750-04571	Spacer, Shoulder, .260 x .785
65	954-04195	Belt, .500 x 37.00 (528)
—	954-04050	Belt, .500 x 35.06" (524)
66	954-04201	V Belt, 3/8 x 35.68" (528)
—	954-0367	V Belt, 3/8 x 34.4" (524)
67	756-04252	Pulley, Half, 3/8 x 1.7160
68	790-00208C	Drive Idler Bracket
69	790-00332-0637	Cover Plate (528)
—	790-00289A-0637	Cover Plate (524)
70	634-04136-0931	Wheel, LH (528)
—	634-04137-0931	Wheel, RH (528)
—	634-04147A-0931	Wheel, LH (524)
—	634-04148A-0931	Wheel, RH (524)
71	731-04873	Spacer, 1.25 x .75 x 3.00
72	938-04180	Axle, .75 x 11.12
73	710-0751	Hex Head Screw, 1/4-20 x .620
74	712-04063	Nut, Flangelock, 5/16-18
75	712-04064	Nut, Flangelock, 1/4-20
76	732-04311	Spring, Torsion, .750 x .968
77	936-3015	Washer, Flat, .469 x .875 x .105

Drive System

Ref.	Part Number	Description
78	684-04159	Friction Wheel Assembly
79	790-00217A-0637	Speed Selector Pivot Bracket
80	790-00218A-0637	Speed Selector Shift Bracket
81	710-04022	Hex Head Screw, 1.25 x 20
82	732-0705	Cable Guide
83	936-0264	Washer, Flat, .330 x .630
84	618-0063A	Bearing Assembly, Friction Wheel
85	710-0896	Screw, 1/4-14 x .625
86	935-04054	Friction Wheel, 5.5 OD
87	790-00174	Friction Wheel Plate
88	738-04164A	Friction Pin, Disc Bearing
89	741-04098	Ball Bearing, 30 x 55 x 13

208 cc ZS 370-SUB Engine



208 cc ZS 370-SUB Engine

Ref. No.	Part No.	Description	Ref. No.	Part No.	Description
1	951-11012	Bolt	72	710-04932	Bolt
2	951-11054	Valve Cover	75	951-11368	Oil Seal
3	731-07059	Breather Hose	78	736-04440	Washer
4	726-04101	Hose Clamp	80	951-11370	Oil Seal
7	751-11124	Pivot Locking Nut	81	951-10646	Ignition Coil
8	751-11123	Valve Adjusting Nut	82	951-11110	Air Flow Shield
10	710-04902	Pivot Bolt	83	951-10650	Fuel Line Kit
15	710-04933	Bolt	84	951-10641	Oil Drain Assembly
18	951-10292	Spark Plug	85	951-10719	Stator
19	951-11282	Muffler Assembly	86	951-10805	Flywheel
20	710-05001	Stud	87	951-10909	Cooling Fan
21	951-11289	Muffler Gasket	88	951-10911	Starter Cup
22	712-04214	Nut	89	712-04209	Nut
23	710-05002	Bolt	90	951-10647	Valve Kit
24	951-11111	Exhaust Pipe Shield	92	951-10663A	Blower Housing
25	710-04940	Bolt	93	736-04455	Washer
26	710-04915	Bolt	94	710-04914	Bolt
27	951-10642A	Muffler Shroud	95	951-10658	Recoil Starter Assembly
28	710-04939	Stud, M6 x117	96	731-05632	Key
29	710-04910	Stud, M6 x 105	97	951-10758	Throttle Control Assembly
33	951-10638	Carburetor Assembly	98	710-04928	Bolt
35	951-11112	Choke Control Bracket	99	951-11108	Governor Shield
36	951-10634	Engine Shroud	100	951-10654	Governor Spring
37	712-04213	Nut	101	951-10664	Throttle Return Spring
38	951-11284	Choke Knob	102	951-10665	Governor Rod
39	951-10757	Throttle Control Knob	104	712-04216	Nut
40	951-10637	Ignition Switch	105	710-04929	Bolt
43	951-10640	Choke Push Rod	109	951-10662	Engine/Dipstick Cover
44	951-10635	Heater Box	110	710-04905	Bolt
45	710-04919	Bolt	113	951-10656	Dipstick Tube
47	951-10648	Push Rod Kit	115	951-10655	Dipstick
49	715-04090	Dowel Pin	117	951-10649	Fuel Cap Assembly
56	951-11283	Oil Fill Plug Assembly	118	951-10652	Fuel Filter
57	951-11113	Air Shield	119	951-10653A	Fuel Tank
59	951-11356	Governor Arm Shaft	121	951-11114	Switch Housing Mounting Bracket
60	736-04461	Washer	122	712-04212	Nut
62	714-04078	Cotter Pin	123	710-04934	Bolt, M4 x 55
64	751-11369	Radial Ball Bearing	124	710-04935	Bolt, M4 x 60
65	951-10307	Flywheel Key	125	710-04943	Bolt
68	715-04092	Dowel Pin, 7 x 14	126	715-04088	Dowel Pin
69	715-04089	Dowel Pin, 9 x 14	127	951-10645A	Electric Starter
70	951-11371	Crankcase Cover Gasket	128	710-05003	Bolt

208 cc ZS 370-SUB Engine

Ref. No.	Part No.	Description
129	951-11109	Blower Housing Shield
130	951-10639	Primer
131	710-04945	Bolt
132	710-04938	Drain Bolt
143	731-05696	Starter Handle
155	951-11106	Governor Arm Bracket
156	951-11380	O-Ring
—	951-11176	Starter Pinion Shaft (Not Shown)
—	951-10651	Fuel Tank Nipple (Not Shown)
—	952Z370-SUB	Engine, Complete
20	951-10657	Muffler Stud Assembly
20	710-05001	Stud
33	951-10638	Carburetor Assembly
130	951-10639	Primer
56	951-11283	Oil Fill Plug Assembly
73	—	O-Ring
74	—	Oil Filler Plug
144	951-11021	Carburetor Kit, Major
133	—	Gasket, Throttle Plate
134	—	Float Pin
135	—	Emulsion Tube
136	—	Needle Valve
137	—	Main Jet
138	—	Needle Valve Spring
139	—	Float
140	—	Fuel Bowl Gasket
141	—	Fuel Drain Plug Gasket
142	—	Fuel Bowl Gasket
—	951-10661B	Gasket Kit, External
5	—	Head Cover Gasket
21	951-11289	Muffler Gasket
30	—	Carburetor Insulator Gasket
31	—	Carburetor Insulator Plate
32	—	Carburetor Gasket
34	—	Carburetor Gasket Plate
78	751-04440	Washer
—	951-11247	Crankshaft Kit
64	951-11369	Radial Ball Bearing
65	951-10307	Flywheel Key
66	—	Crankshaft
75	951-11368	Oil Seal
80	951-11370	Oil Seal

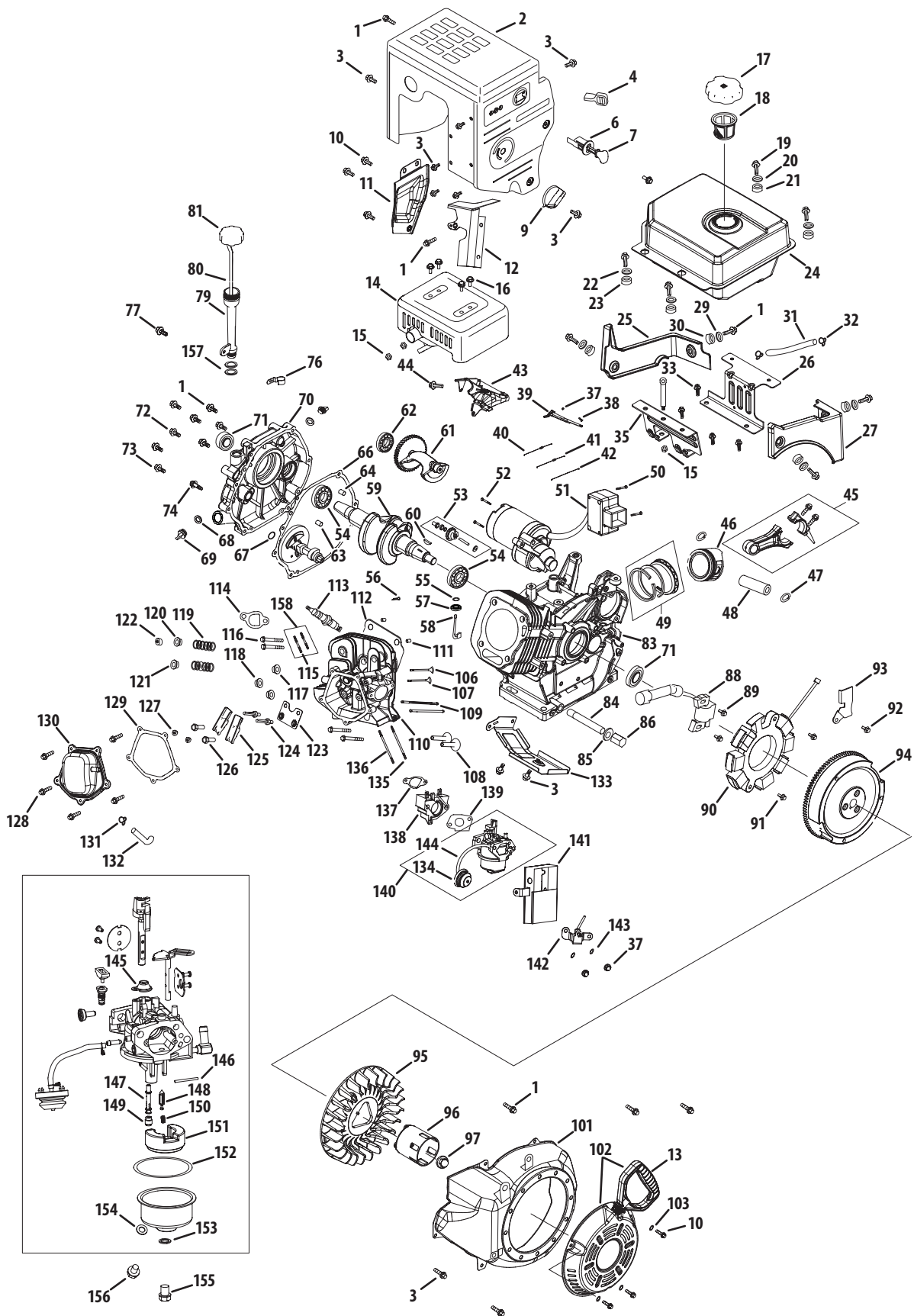
Ref. No.	Part No.	Description
—	951-11249	Crankcase Kit
61	—	Governor Seal
64	951-11369	Radial Ball Bearing
70	951-11371	Crankcase Gasket
76	—	Crankcase
80	951-11370	Oil Seal
—	951-11060A	Short Block Assembly
5	—	Head Cover Gasket
21	951-11289	Muffler Gasket
30	—	Carburetor Insulator Gasket
31	—	Carburetor Insulator Plate
46	—	Cylinder Head Gasket
48	—	Tappet
49	715-04090	Dowel Pin
52	—	Piston Ring Set
53	—	Piston Pin Snap Ring
54	—	Piston
55	—	Piston Pin
58	—	Connecting Rod Assembly
59	951-11356	Governor Arm Shaft
60	736-04461	Washer
61	—	Governor Seal
62	714-04078	Cotter Pin
63	—	Camshaft Assembly
64	951-11369	Radial Ball Bearing
65	951-10307	Flywheel Key
66	—	Crankshaft Assembly
67	—	Governor Gear/Shaft Assembly
68	715-04092	Dowel Pin, 7 x 14
69	715-04089	Dowel Pin, 9 x 14
70	951-11371	Crankcase Cover Gasket
71	—	Case Cover
72	710-04932	Bolt
73	—	O-Ring
74	—	Oil Fill Plug
75	951-11368	Oil Seal
76	—	Crankcase
77	—	Oil Drain Pipe
78	736-04440	Washer
79	—	Oil Drain Plug Washer
80	951-11370	Oil Seal

208 cc ZS 370-SUB Engine

Ref. No.	Part No.	Description
—	951-10668A	Cylinder Head Assembly
5	—	Head Cover Gasket
6	—	Intake Valve Spring Seat
7	751-11124	Pivot Locking Nut
8	751-11123	Valve Adjusting Nut
9	—	Rocker Arm
10	710-04902	Pivot Bolt
11	—	Exhaust Valve Adjuster
12	—	Exhaust Valve Spring Seat
13	—	Valve Spring
14	—	Intake Valve Seal
16	—	Push Rod Guide Plate
17	—	Cylinder Head - Complete
21	951-11289	Muffler Gasket
30	—	Carburetor Insulator Gasket
31	—	Carburetor Insulator Plate
46	—	Cylinder Head Gasket
90	951-10647	Valve Kit
—	951-11063	Valve Cover Kit
2	951-11054	Valve Cover
5	—	Head Cover Gasket

Ref. No.	Part No.	Description
—	951-11059A	Gasket Kit, Complete
5	—	Head Cover Gasket
21	951-11289	Muffler Gasket
30	—	Carburetor Insulator Gasket
31	—	Carburetor Insulator Plate
32	—	Carburetor Gasket
34	—	Carburetor Gasket Plate
46	—	Cylinder Head Gasket
60	736-04461	Washer
61	—	Governor Seal
62	714-04078	Cotter Pin
70	951-11371	Crankcase Cover Gasket
75	951-11368	Oil Seal
78	736-04440	Washer
80	951-11370	Oil Seal
—	951-11246	Crankcase Cover Kit
64	951-11369	Radial Ball Bearing
70	951-11371	Crankcase Cover Gasket
71	—	Case Cover
72	—	Cover Bolts
73	—	O-Ring
74	—	Oil Fill Plug
75	951-11368	Oil Seal

357cc ZS 483-SU Engine



357cc ZS 483-SU Engine

Ref.	Part Number	Description	Ref.	Part Number	Description
1	951-11012	Bolt, M6 X 16	54	751-11373	Bearing
2	951-11339	Muffler Shield	55	736-04453	Governor Shaft Washer
3	710-04915	Bolt, M6x12, Zinc Coating	56	714-04077	Governor Shaft Clip
4	951-11224	Throttle Control Knob	58	751-11365	Governor Arm Shaft
6	951-10637	Ignition Switch Assembly	60	951-10307	Flywheel Key
7	731-05632	Key	63	715-04102	Dowel Pin
9	951-11302	Choke Knob	64	715-04096	Dowel Pin, 7 X 14
10	710-04914	Bolt, Flange, M6x10	66	751-11376	Crankcase Cover Gasket
11	951-11181	Muffler Baffle	67	736-04476	Washer
12	951-11321	Carburetor Heat Shield	71	751-11375	Oil Seal
13	731-05696	Starter Handle	72	710-04971	Flange Bolt, M8 X 38
14	951-11338	Muffler Assembly	73	710-04972	Bolt, M8 X 45
15	712-04219	Nut, M8 - 1.25	74	710-05052	Bolt, M8 X 35
16	710-05051	Bolt	76	951-11320	Oil Tube Support Bracket
17	951-10649	Fuel Cap	77	710-04968	Flange Bolt M6 X 16
18	951-10652	Fuel Filter	79	951-11206	Dipstick Tube
19	710-04970	Flange Bolt, M8 X 20	84	951-11350	Oil Drain Pipe
20	736-04450	Flat Washer	85	736-04440	Oil Drain Washer
21	750-05312	Bushing	86	710-04906	Oil Drain Plug
22	736-04451	Flat Washer	88	951-11305	Ignition Coil
23	750-05313	Bushing	89	710-04920	Bolt, Flange, M6x28
24	951-11201	Fuel Tank	90	951-11216	Stator
25	951-11319	Fuel Tank Shroud	91	710-04969	Flange Bolt, M6 X 30
26	951-11318	Fuel Tank Mounting Bracket	92	710-04966	Flange Bolt, M6 X 8
27	951-11189	Engine Shroud	93	951-11186	Alternator Wire Clamp Bracket
29	736-04452	Flat Washer	94	951-11312	Flywheel
30	750-05314	Bushing	95	951-11313	Cooling Fan
33	710-04921	Bolt, Flange, M8x14	96	951-11314	Starter Cup
35	951-11182	Fuel Tank Mounting Bracket	97	712-04220	Nut, M16 - 1.5
37	712-04211	Nut, Flange, M6	101	951-11211	Blower Housing
38	710-04908	Bolt, M6x21, Governor Arm	102	951-11310	Recoil Starter Assembly
39	951-11307	Governor Arm Bracket	103	736-04455	Flat Washer Recoil
40	951-11306	Governor Spring	111	715-04097	Dowel Pin, 12 X 20
41	951-11203	Throttle Return Spring	113	951-10292	Spark Plug
42	951-11309	Governor Rod	114	951-11212	Muffler Gasket
43	951-11311	Throttle Control Assembly	115	710-04964	Exhaust Stud
44	710-04916	Bolt, Flange, M6 x 14	116	710-05053	Flange Bolt, M10-1.25 X 87
50	710-04965	Screw, M4 X 55	124	710-04962	Rocker Stud Bolt
51	951-11196	Electric Starter	126	751-11123	Pivot Adjusting Nut
52	710-04967	Flange Bolt, M8 X 55	127	751-11124	Pivot Locking Nut

357cc ZS 483-SU Engine

Ref.	Part Number	Description
128	710-05054	Bolt - Valve Cover, M6 X 16
130	951-11220	Valve Cover
131	726-04101	Breather Hose Clip
132	951-11221	Breather Hose
133	951-11317	Cylinder Baffle
134	951-10639	Primer
135	710-05055	Carburetor Stud, M6 X 8 X 98
136	710-05056	Carburetor Stud, M6 X 8 X 118
137	951-11315	Intake Gasket
138	951-11316	Carburetor Insulator
139	951-11223	Carburetor Gasket
140	951-11303	Carburetor Assembly
141	951-11304	Heater Box
142	951-11192	Choke Assembly
143	736-04477	Lock Washer
144	951-10324	Primer Hose
153	951-11348	Fuel Bowl Gasket
154	951-11349	Fuel Drain Plug Gasket
155	710-04945	Fuel Bowl Mounting Bolt
156	710-04903	Fuel Drain Plug
157	951-11381	O-Ring
	951-10651	Fuel Tank Nipple (Not Shown)
	752Z483-SU	Engine Complete
—	951-11340	Crankcase Cover Kit
54	951-11373	Bearing
66	951-11376	Crankcase Cover Gasket
67	736-04476	Washer
70	—	Crankcase Cover
71	751-11375	Oil Seal
72	710-04971	Flange Bolt, M8 X 38
73	710-04972	Bolt, M8 X 45
—	951-11342	Crankshaft Kit
54	951-11373	Bearing
59	—	Crankshaft Assembly
60	951-10307	Flywheel Key
71	951-11375	Oil Seal
—	951-11341	Crankcase Kit
54	951-11373	Bearing
57	—	Oil Seal -Governor Shaft
71	951-11375	Oil Seal
83	—	Crankcase

Ref.	Part Number	Description
—	951-11328	Shortblock Assembly
45	—	Connecting Rod Ass'y Complete
46	—	Piston
47	—	Piston Pin Clip
48	—	Piston Pin
49	—	Piston Ring Set - Complete
53	—	Governor Assembly
54	951-11373	Bearing
55	736-04453	Governor Shaft Washer
56	714-04077	Governor Shaft Clip
57	—	Oil Seal -Governor Shaft
58	951-11365	Governor Arm Shaft
59	—	Crankshaft Assembly
60	951-10307	Flywheel Key
61	—	Camshaft Assembly
62	—	Bearing
63	715-04102	Dowel Pin
64	715-04096	Dowel Pin, 7 x 14
66	951-11376	Crankcase Cover Gasket
67	736-04476	Washer
70	—	Crankcase Cover
71	951-11375	Oil Seal
72	710-04971	Bolt
73	710-04972	Bolt, M8 X 45
74	710-05052	Bolt, M8 X 35
83	—	Crankcase
84	951-11350	Oil Drain Pipe
85	736-04440	Oil Drain Washer
86	710-04906	Oil Drain Plug
108	—	Valve Lifter (Tappet)
111	715-04097	Dowel Pin
112	—	Cylinder Head Gasket
114	951-11212	Muffler Gasket
116	710-05053	Flange Bolt, M10-1.25 X 87
129	—	Valve Cover Gasket
137	951-11315	Intake Gasket
138	951-11316	Carburetor Insulator
—	951-11335	Push Rod Kit
109	—	Push Rod
158	951-11207	Muffler Stud Assembly
115	710-04964	Exhaust Stud

357cc ZS 483-SU Engine

Ref.	Part Number	Description
—	951-10641	Oil Drain Assembly
84	951-11350	Oil Drain Pipe
85	736-04440	Drain Plug Washer
86	710-04906	Drain Plug
—	951-11329	Cylinder Head Ass'y
106	—	Exhaust Valve
107	—	Intake Valve
110	—	Cylinder Head
112	—	Cylinder Head Gasket
114	951-11212	Muffler Gasket
115	710-04964	Exhaust Stud
116	710-05053	Flange Bolt, M10-1.25 X 87
117	—	Intake Valve Seal
118	—	Valve Spring Retainer
119	—	Valve Spring
120	—	Valve Spring Retainers - Exhaust
121	—	Valve Spring Retainer- Intake
122	—	Exhaust Valve Cap
123	—	Push Rod Guide
124	710-04962	Rocker Stud Bolt
125	—	Rocker Arm
126	751-11123	Pivot Adjusting Nut
127	751-11124	Pivot Locking Nut
129	—	Valve Cover Gasket
135	710-05055	Carburetor Stud, M6 X 8 X 98
136	710-05056	Carburetor Stud, M6 X 8 X 118
137	951-11315	Intake Gasket
138	951-11316	Carburetor Insulator
—	951-11330	Gasket Kit - Complete
57	—	Oil Seal -Governor Shaft
66	951-11376	Crankcase Cover Gasket
71	951-11375	Oil Seal
85	736-04440	Oil Drain Washer
112	—	Cylinder Head Gasket
114	951-11212	Muffler Gasket
129	—	Valve Cover Gasket
137	951-11315	Intake Gasket
138	951-11316	Carburetor Insulator
139	951-11223	Carburetor Gasket

Ref.	Part Number	Description
—	951-11205	Dipstick Assembly
80	—	Dipstick
81	—	Oil Cap
—	951-11331	Gasket Kit - External
85	736-04440	Oil Drain Washer
114	951-11212	Muffler Gasket
129	—	Valve Cover Gasket
137	951-11315	Intake Gasket
138	951-11316	Carburetor Insulator
139	951-11223	Carburetor Gasket
—	951-11336	Fuel Line Kit
31	—	Fuel Line
32	—	Fuel Line Clamp
—	951-11345	Oil Filler Plug Assembly
68	—	O-Ring
69	—	Oil Fill Plug
—	951-11332	Carburetor Kit - Major
145	—	Throttle Pressure Plate
146	—	Float Pin
147	—	Main Nozzle
148	—	Needle Valve
149	—	Main Jet
150	—	Needle Valve Spring
151	—	Float
152	—	Bowl Gasket
153	951-11348	Fuel Bowl Gasket
154	951-11349	Fuel Drain Plug Gasket
—	951-11334	Cylinder Head Kit
112	—	Cylinder Head Gasket
116	710-05053	Flange Bolt, M10-1.25 X 87
117	—	Intake Valve Seal
129	—	Valve Cover Gasket
—	951-11333	Valve Cover Kit
129	—	Valve Cover Gasket
130	951-11220	Valve Cover
—	951-11337	Valve Kit
106	—	Exhaust Valve
107	—	Intake Valve



To order replacement parts, call a Customer Support Representative at (800) 965-4CUB.
Locate your nearest Cub Cadet dealer at (877) 282-8684
or visit www.cubcadet.com to find the nearest Cub Cadet dealer in your area.

CUB CADET LLC, P.O. BOX 361131 CLEVELAND, OHIO 44136-0019
