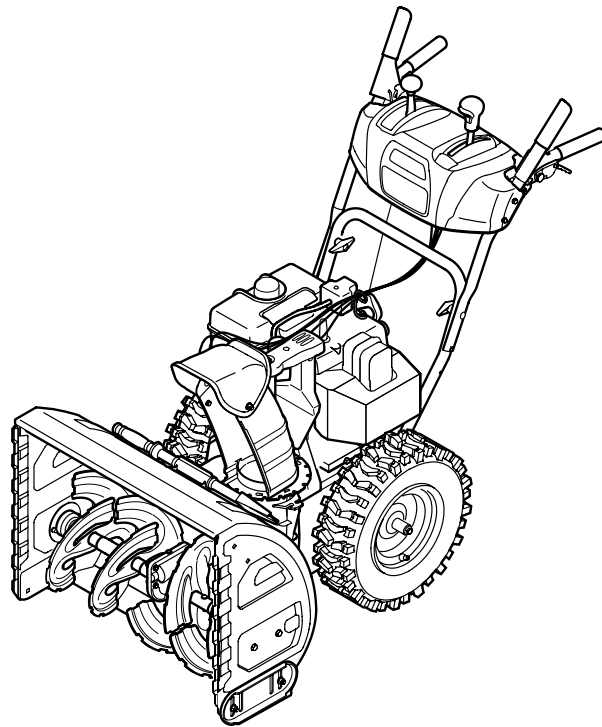

Cub Cadet.

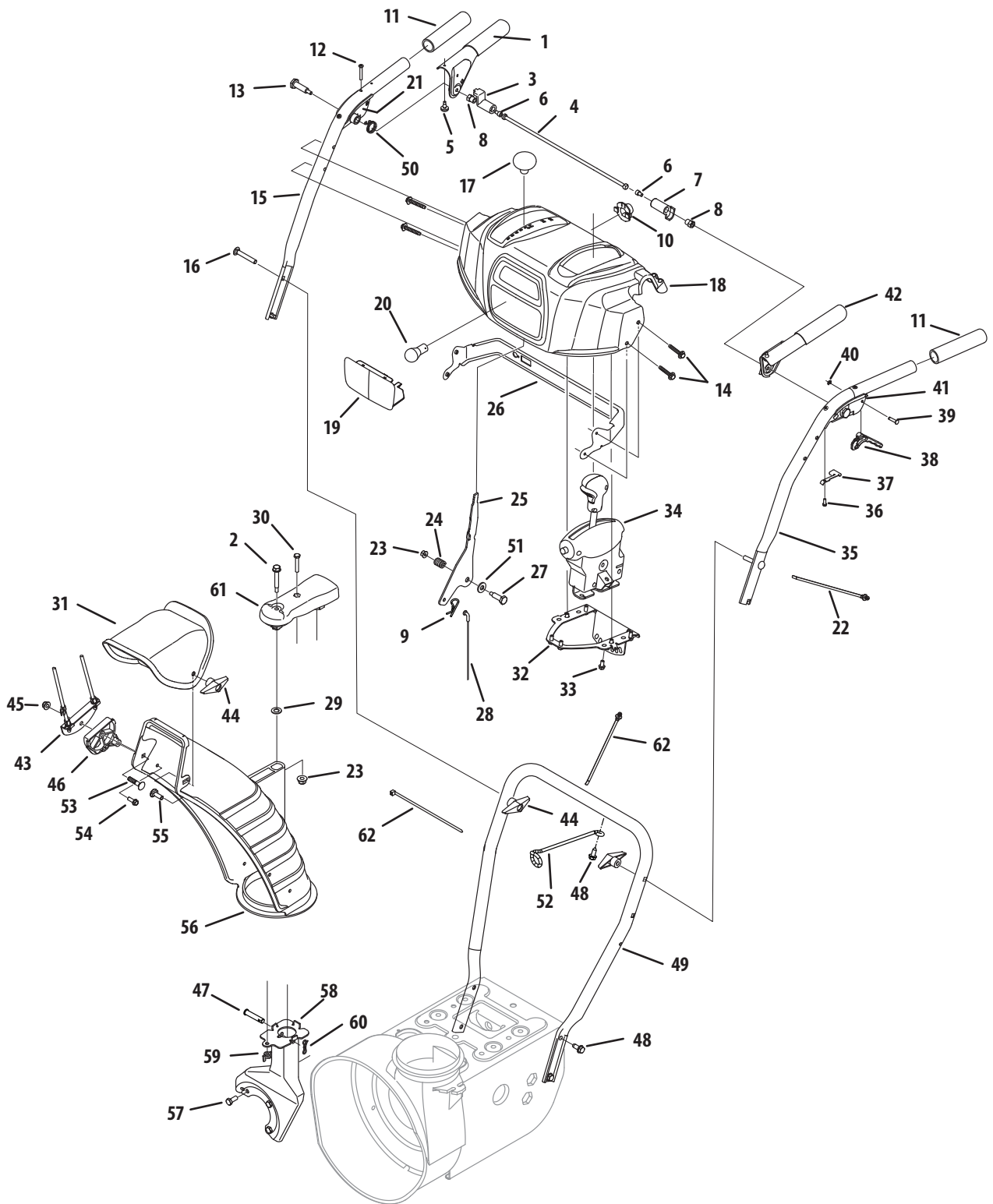
ILLUSTRATED PARTS MANUAL



500 Series Snow Thrower —524 SWE & 528 SWE

CUB CADET LLC, P.O. BOX 361131 CLEVELAND, OHIO 44136-0019

T-Style Handle, Frame & Discharge Chute

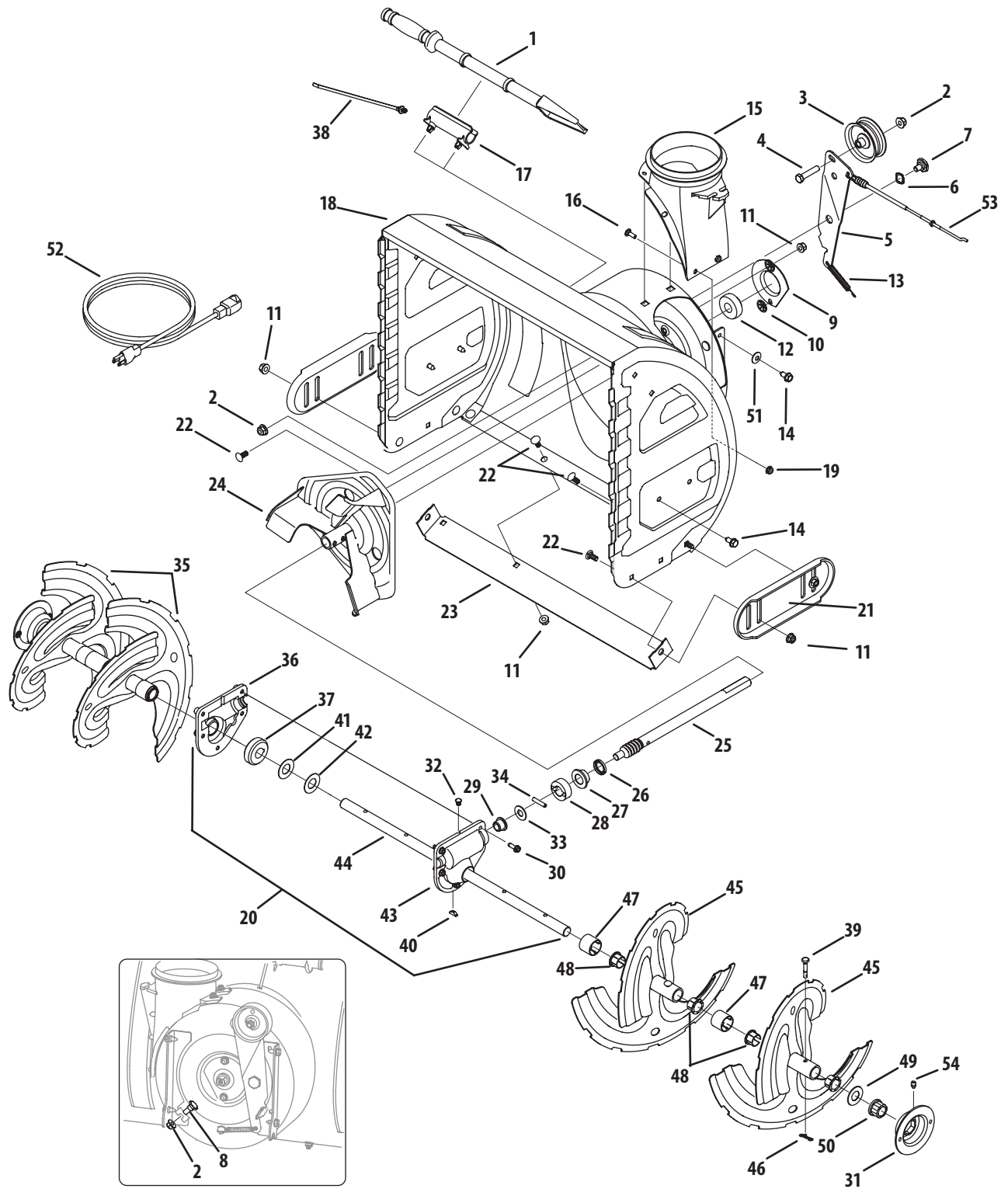


T-Style Handle, Frame & Discharge Chute

Ref.	Part Number	Description
1.	684-04106B	Handle Engagement Assembly RH
2.	738-04194	Flange Shoulder Screw
3.	731-04894D	Lock Plate
4.	684-04250	Pivot Rod
5.	735-0199A	Rubber Bumper
6.	710-3069	Socket Screw, 1/4-20 x .50
7.	731-04896B	Clutch Lock Cam
8.	712-04081A	Shoulder Nut, 1/4-20
9.	714-0145	Click Pin, .092 x 1.64
10.	725-1649	Light Socket
11.	720-0274	Handle Grip
12.	710-1233	Screw, #10-24 x 0.375
13.	738-04348	Shoulder Screw, 1/4-20 x 1.345
14.	710-04586	Screw, 1/4-20 x 1.625
15.	749-04190A	Upper Handle RH
16.	710-0449	Carriage Screw, 5/16-18 x 2.25
17.	720-04039	Shift Knob
18.	631-04187A	Handle Panel (Includes Ref. #19)
19.	731-05324	Lens
20.	725-1629	Lamp (24")
20A	725-04123	Lamp (28")
21.	631-04134B	Handle Clutch Lock RH Assy
22.	725-0157	Cable Tie
23.	712-04064	Flange Lock Nut, 1/4-20
24.	732-0193	Compression Spring
25.	790-00311	Shift Lever
26.	790-00248B	Panel Bracket
27.	738-04125	Shoulder Screw
28.	746-04227B	Speed Selector Cable
29.	736-0463	Flat Washer, .25 x .630 x .0515
30.	710-0606	Hex Screw, 1/4-20 x 1.50
31.	731-04427A	Upper Chute

Ref.	Part Number	Description
32.	790-00155A	Joystick Bracket (24")
32A	790-00131A	Joystick Bracket (28")
33.	710-04187	Hi-Lo Screw, 1/4-15 x 0.5
34.	684-04311	4-Way Tall Chute Control™ Assembly
35.	749-04191A	Upper Handle LH
36.	710-04326	Screw, #8-16 x 0.50
37.	732-04219C	Clutch Lock Spring
38.	731-04954	Steering Control
39.	738-04126	Pin, 3/16
40.	716-04036	E Ring
41.	631-04133A	Handle Clutch Lock LH Assy
42.	684-04105B	Handle Engagement Assembly LH
43.	784-5594	Cable Bracket
44.	720-0284	Wing Knob
45.	712-04063	Flange Lock Nut, 5/16-18
46.	731-06451	Chute Tilt Cable Guide
47.	711-04469A	Clevis Pin
48.	710-04484	Hex Screw, 5/16-18 x .750
49.	749-04138A	Lower Handle
50.	732-04238	Torsion Spring
51.	736-0267	Flat Washer
52.	747-04784	Cable Guide- 28" model
53.	710-0262	Carriage Bolt, 5/16-18 x 1.50
54.	710-0895	Hi-Lo Screw, 1/4-15 x .75
55.	710-04071	Carriage Bolt, 5/16-18 x 1.0
56.	731-06440	Lower Chute
57.	710-0627	Hex Screw, 5/16-24 x .750
58.	684-04311	Chute Support Bracket, Briggs
59.	712-3087	Wing Nut, 1/4-20
60.	714-04040	Bow Tie Cotter Pin
61.	731-04890A	Joystick Pulley Cover
62.	726-0154	Cable Tie

24" Auger & Auger Housing

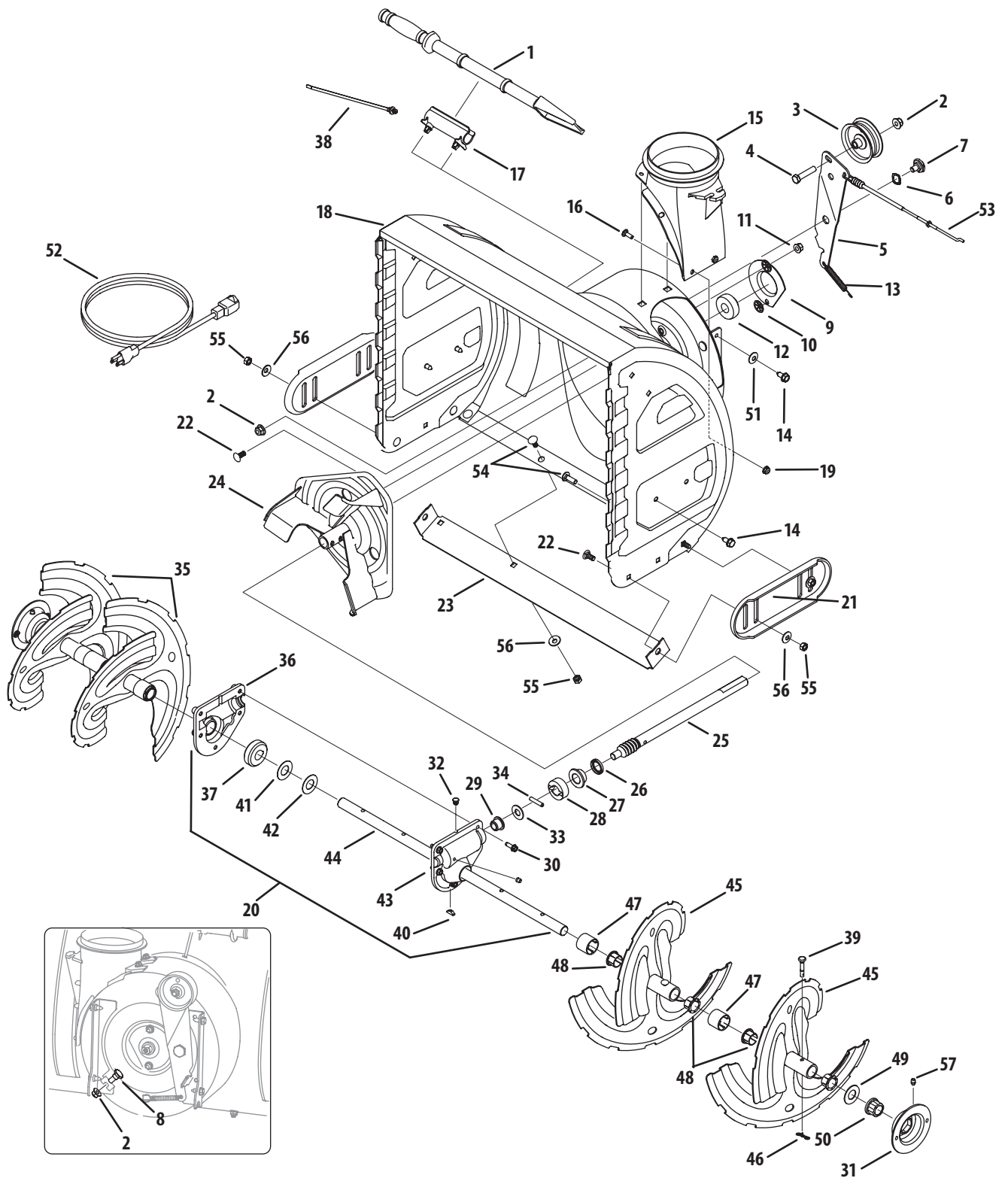


24" Auger & Auger Housing

Ref.	Part Number	Description
1.	731-2643	Clean-Out Tool
2.	712-04065	Flange Lock Nut
3.	756-0981B	Flat Idler Pulley
4.	710-0347	Hex Bolt, 3/8-16 x 1.75
5.	790-00080A	Auger Idler Bracket
6.	736-0174	Wave Washer
7.	738-0281	Shoulder Screw
8.	738-0143	Shoulder Screw
9.	790-00075	Bearing Housing
10.	726-04012	Push Nut
11.	712-04063	Flange Lock Nut, 5/16-18
12.	741-0309	Ball Bearing
13.	732-04460	Extension Spring
14.	710-04484	Hex Screw
15.	731-04705	Chute Adapter
16.	710-0703	Carriage Screw, 1/4-20 x 0.75
17.	731-2635	Clean-out Tool Mtg. Bracket
18.	684-04259	Housing Assembly, Auger, 24"
19.	712-04064	Flange Lock Nut, 1/4-20
20.	618-04191A	Gearbox Assembly, Auger, 24"
21.	790-00091	Skid Shoe, Deluxe
22.	710-0451	Carriage Bolt
23.	790-00120	Shave Plate, 24"
24.	684-04057A	Impeller Assembly
25.	717-04126	Worm Shaft
26.	721-0327	Oil Seal
27.	741-0662	Flange Bearing

Ref.	Part Number	Description
28.	718-04071	Thrust Collar
29.	741-0663	Flange Bearing
30.	710-0642	TT Screw, 1/4-20 x 0.75
31.	790-00138A	Bearing Housing
32.	721-0325	Plug
33.	736-3084	Flat Washer
34.	715-04021	Dowel Pin
35.	684-04108	Spiral Assembly - RH
36.	618-0123A	Reducer Hsg. - RH
37.	717-04449	Worm Gear, 20T
38.	725-0157	Cable Tie
39.	738-04124A	Shear Pin
40.	714-0161	Hi-Pro Key
41.	736-0351	Flat Washer
42.	731-04871	Spacer, 1.25 x .75 x 3/16
43.	618-0418A	Reducer Hsg. - LH
44.	711-04285	Axle, Auger, 24"
45.	684-04107	Spiral Assembly - LH
46.	714-04040	Bow Tie Cotter Pin
47.	731-04870	Spacer
48.	741-0493A	Flange Bushing
49.	736-0188	Flat Washer
50.	741-0245	Hex Flange Bearing
51.	736-0242	Bell Washer
52.	629-0071	Extension Cord. 3-Prong
53.	746-04230	Auger Clutch Cable
54.	737-3000	Drive Lube Fitting

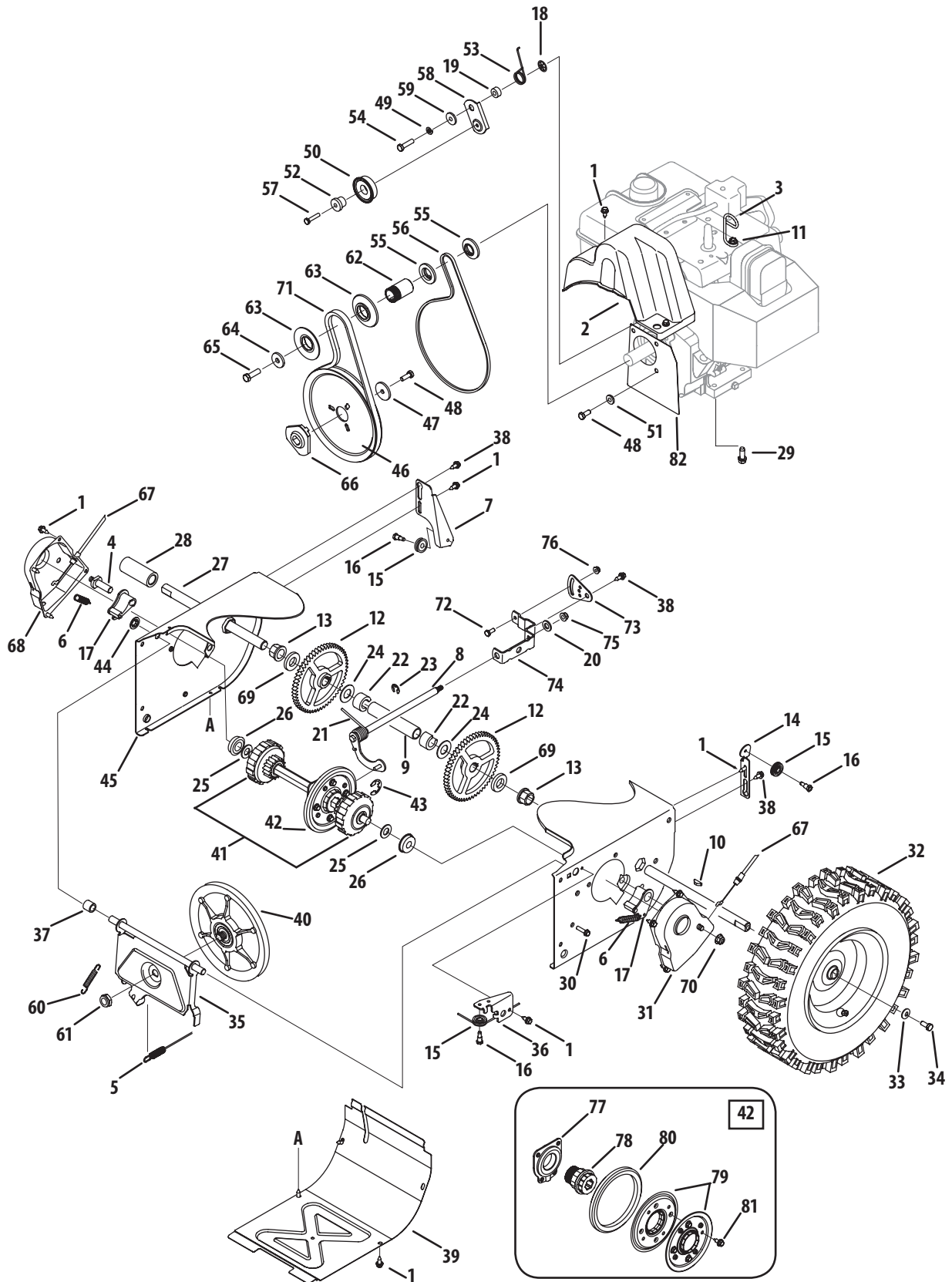
28" Auger & Auger Housing



28" Auger & Auger Housing

Ref.	Part Number	Description	Ref.	Part Number	Description
1.	731-2643	Clean-Out Tool	29.	741-0663	Flange Bearing
2.	712-04065	Flange Lock Nut	30.	710-0642	TT Screw, 1/4-20 x 0.75
3.	756-0981B	Flat Idler Pulley	31.	790-00138A	Bearing Housing
4.	710-0347	Hex Bolt, 3/8-16 x 1.75	32.	721-0325	Plug
5.	790-00080A	Auger Idler Bracket	33.	736-3084	Flat Washer
6.	736-0174	Wave Washer	34.	715-04021	Dowel Pin
7.	738-0281	Shoulder Screw	35.	684-04108	Spiral Assembly - RH
8.	738-0143	Shoulder Screw	36.	618-0123A	Reducer Hsg. - RH
9.	790-00075	Bearing Housing	37.	717-04449	Worm Gear, 20T
10.	726-04012	Push Nut	38.	725-0157	Cable Tie
11.	712-04063	Flange Lock Nut, 5/16-18	39.	738-04124A	Shear Pin
12.	741-0309	Ball Bearing	40.	714-0161	Hi-Pro Key
13.	732-04460	Extension Spring	41.	736-0351	Flat Washer
14.	710-04484	Hex Screw	42.	731-04871	Spacer, 1.25 x .75 x 3/16
15.	731-04705	Chute Adapter	43.	618-0418A	Reducer Hsg. - LH
16.	710-0703	Carriage Screw, 1/4-20 x 0.75	44.	711-04283	Axle, Auger, 28"
17.	731-2635	Clean-out Tool Mtg. Bracket	45.	684-04107	Spiral Assembly - LH
18.	684-04257	Housing Assembly, Auger, 28"	46.	714-04040	Bow Tie Cotter Pin
19.	712-04064	Flange Lock Nut, 1/4-20	47.	731-04870	Spacer
20.	618-04193A	Gearbox Assembly, Auger, 28"	48.	741-0493A	Flange Bushing
21.	790-00141	Skid Shoe, Stainless	49.	736-0188	Flat Washer
22.	710-0451	Carriage Bolt	50.	741-0245	Hex Flange Bearing
23.	790-00118	Shave Plate, 28"	51.	736-0242	Bell Washer
—	790-00145	Stainless Steel, Shave Plate, 28	52.	629-0071	Extension Cord. 3-Prong
24.	684-04057A	Impeller Assembly	53.	746-04230	Auger Clutch Cable
25.	717-04126	Worm Shaft	54.	710-04525	Carriage Bolt, 5/16-18 x .750
26.	721-0327	Oil Seal	55.	712-04103	Hex Nut, 5/16-18
27.	741-0662	Flange Bearing	56.	736-04216	Bell Washer, .340 x .872 x .060
28.	718-04071	Thrust Collar	57.	737-3000	Drive Lube Fitting

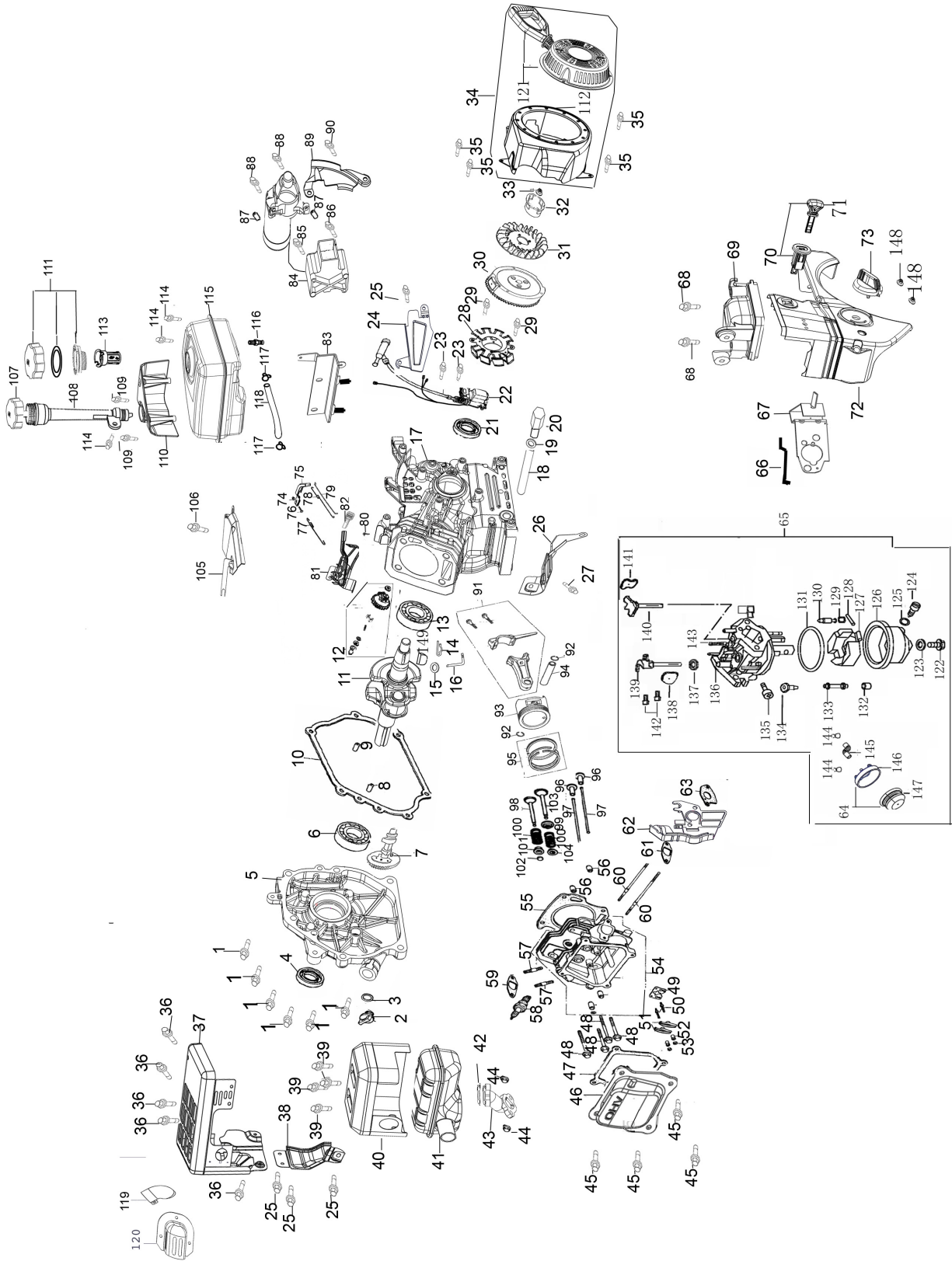
Drive System



Ref.	Part Number	Description
1.	710-1652	AB Screw, 1/4-20 x 0.625
2.	731-05353	Belt Cover
3.	732-0705	Cable Guide
4.	711-1268B	Actuator Shaft
5.	746-04229	Drive Clutch Cable
6.	732-04345	Extension Spring
7.	790-00207B	Drive Clutch Cable Guide Bracket
8.	684-04156A	Shift Rod Assembly
9.	750-04474	Axle Support Tube
10.	714-0126	Hi-pro Key
11.	710-04022	Screw
12.	717-04210	Gear, 56T
13.	741-0245	Hex Flange Bearing
14.	790-00206A	Auger Clutch Cable Guide Bracket
15.	756-0625	Cable Roller
16.	738-0924A	C Screw, 1/4-28 x 0.375
17.	618-04288	Dogg Assembly - LH
—	618-04287	Dogg Assembly - RH
18.	726-04012	Speed nut
19.	750-04477	Spacer
20.	736-3015	Flat Washer, .469 x .875 x .105
21.	732-04311	Torsion Spring, .750ID x .968 Lg.
22.	731-05297	Spacer
23.	716-0104	E Ring
24.	736-0188	Flat Washer, .76 x 1.49 x .06
25.	736-0626	Flat Washer
26.	741-04076	Ball Bearing
27.	738-04180	Axle
28.	731-04873	Spacer
29.	710-0654A	TT Sems Screw, 3/8-16 x 1.0
30.	710-0788	TT Screw, 1/4-20 x 1.0
31.	790-00185	Shaft Retainer - LH
32.	634-04136	Wheel Complete - LH (16 x 6.5 x 8); 28"
—	634-04137	Wheel Complete - RH (16 x 6.5 x 8); 28"
—	634-04147A	Wheel Complete - LH (15x5x6); 24"
—	634-04148A	Wheel Complete - RH (15x5x6); 24"
33.	736-0242	Bell Washer
34.	710-0627	Hex Bolt, 5/16-24 x .75
35.	684-04154	Friction Wheel Support Brkt. Assy.
36.	790-00096	Auger Cable Guide Bracket
37.	748-0190	Spacer
38.	738-04184A	Shoulder Screw
39.	790-00316	Frame Cover

Ref.	Part Number	Description
40.	656-04025A	Friction Wheel Disc Assembly
41.	618-04322A	Drive Shaft Assembly
42.	684-04159	Friction Wheel Assembly
43.	716-0136	Retainer Ring
44.	726-0221	Speed Nut
45.	790-00183B	Wheel Drive Frame
46.	756-04109	Auger Pulley
47.	736-0505	Flat Washer
48.	710-1245B	Hex Bolt, 5/16-24 x 0.875
49.	736-0119	Lock Washer
50.	684-04169	Pulley Assembly
51.	748-0234	Shoulder Spacer
52.	750-04571	Spacer
53.	732-04308A	Torsion Spring
54.	710-0672	Hex Screw, 5/16-24 x 1.25
55.	756-04252	Pulley Half
56.	754-0367	V-Belt, 3/8 x 34
57.	710-0809	TT Screw, 1/4-20 x 1.25
58.	790-00208C	Drive Clutch Idler Bracket
59.	748-04112B	Shoulder Spacer
60.	732-0264	Extension Spring
61.	712-0417A	Flange Nut, 5/8-18
62.	750-04303	Spacer
63.	756-04113	Pulley Half
64.	736-0247	Flat Washer
65.	710-0191	Hex Bolt, 3/8-24 x 1.25
66.	748-04053A	Pulley Adapter
67.	746-0956B	Steering Cable
68.	790-00186	Shaft Retainer - RH
69.	750-0767	Axle Spacer
70.	712-04065	Flange Lock Nut, 3/8-16
71.	754-04050	V-Belt,.500 x 35.00 Lg
72.	710-0751	Hex Screw, 1/4-20 x .620
73.	790-00217A	Speed Selector Pivot Bracket
74.	790-00218A	Speed Selector Shift Bracket
75.	712-04063	Flange Lock Nut, 5/16-18
76.	712-04064	Flange Lock Nut, 1/4-20
77.	618-0063A	Friction Wheel Bearing Assembly
78.	718-04144	Friction Wheel Hub
79.	790-00174	Friction Wheel Plate
80.	735-04054	Friction Wheel Rubber
81.	710-0896	AB Screw
82.	790-00298A	Cover Plate

ZS 370-SU Engine



ZS 370-SU Engine

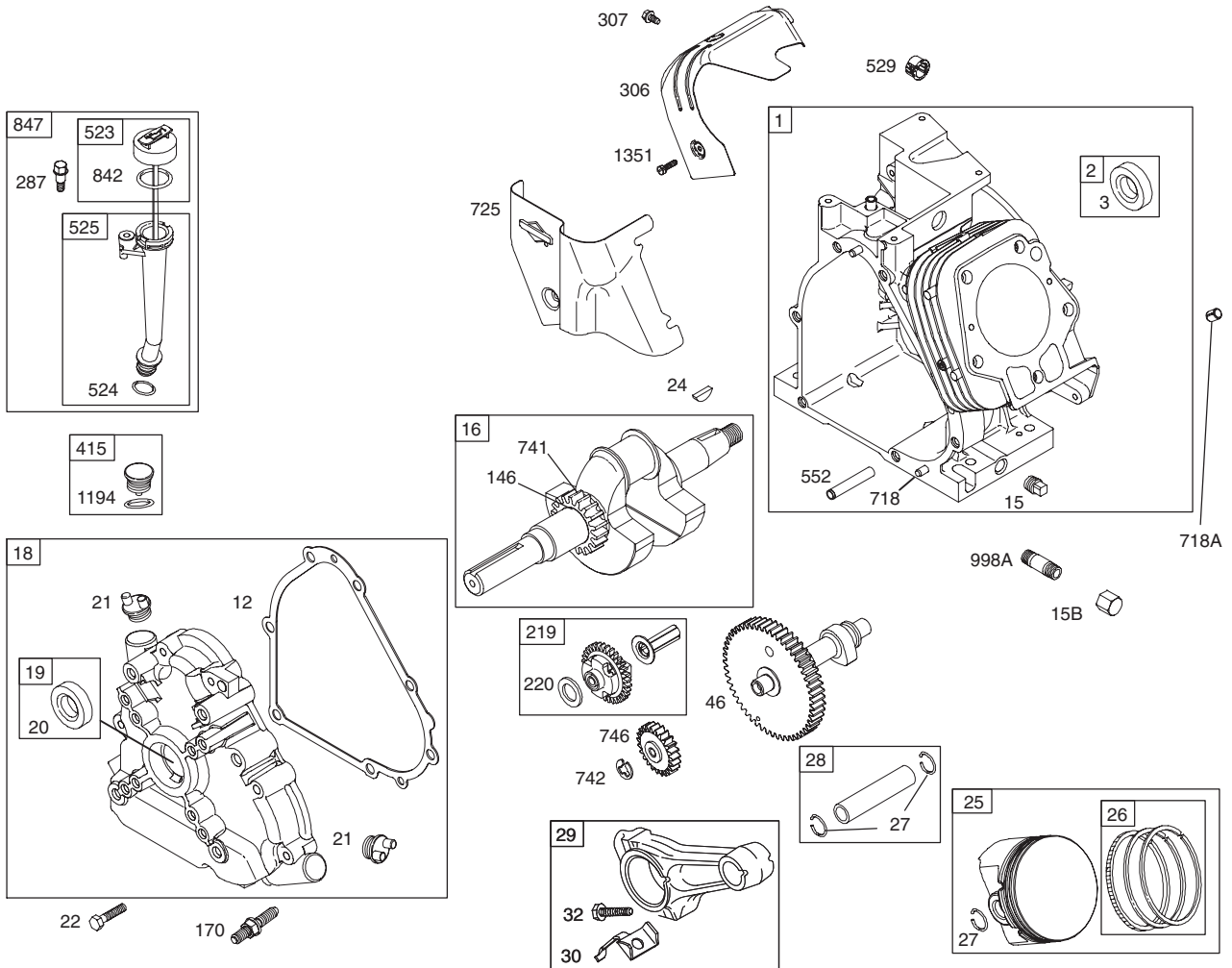
Part No.	Description	Ref. No.
751-10724	Short Block Assembly	—
	Bolt	1
	Oil Filler Plug	2
	O-ring	3
	Oil seal, 25 × 41.25 × 6	4
	Crankcase cover	5
	Radial Ball Bearing	6
	Camshaft Assembly	7
	Dowel Pin, 9 × 14	8
	Dowel Pin, 7 × 14	9
	Crankcase Cover Gasket	10
	Crankshaft Complete	11
	Governor Kit	12
	Radial Ball Bearing	13
	Pin Lock	14
	O-ring, 5.2 × 1.9	15
	Governor Arm	16
	Crankcase	17
	Oil-Draining Pipe	18
	Washer, 10 × 16 × 1.5	19
	Drain Bolt, 10 × 1.25	20
	Oil Seal, 25 × 41.25 × 6	21
	Cylinder Head Gasket	55
	Dowel Pin, 10 × 16	56
	Gasket Muffler	59
	Insulator Gasket Carburetor	61
	Insulator Carburetor	62
	Connecting Rod Assembly	91
	Piston Pin Clip	92
	Piston	93
	Pin Piston	94

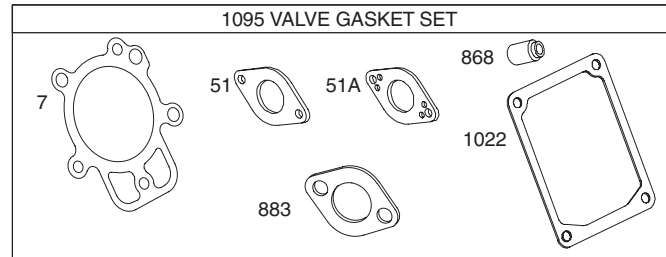
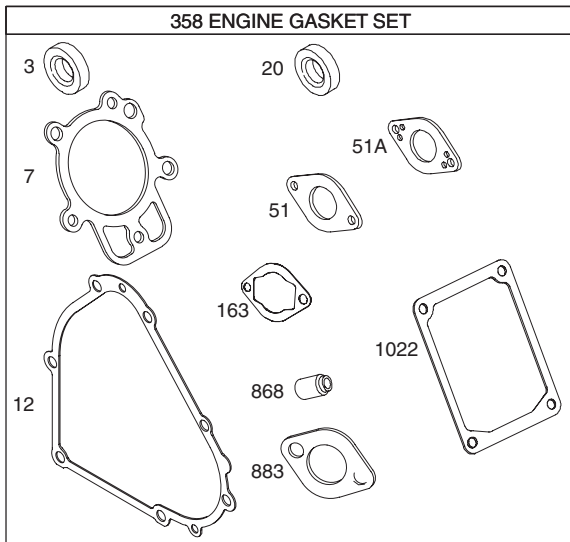
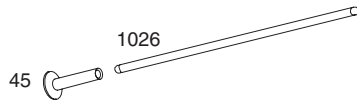
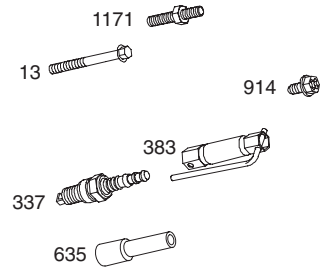
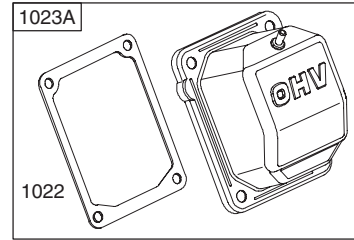
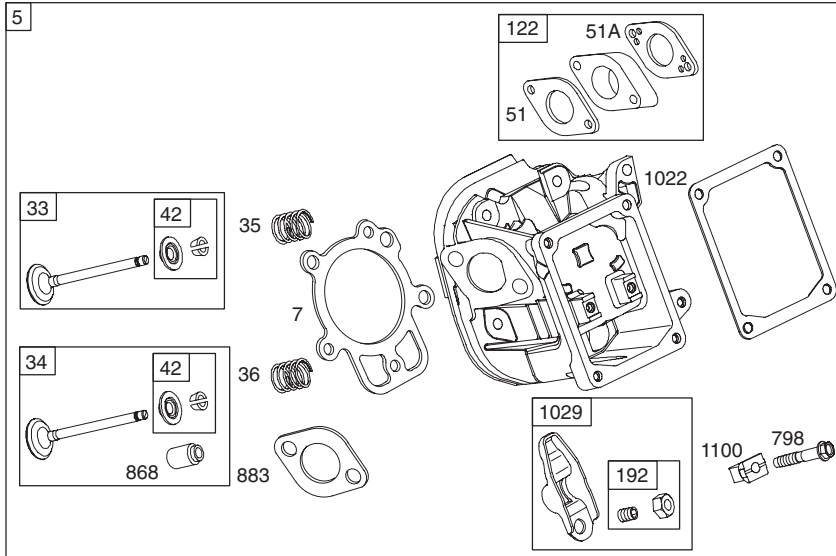
Part No.	Description	Ref. No.
751-10722	Cylinder Head Assembly	—
	Valve Cover Gasket	47
	Plate Push Rod Guide	49
	Pivot Bolt	50
	Rocker Arm	51
	Valve Adjusting Nut	52
	Pivot Locking Nut	53
	Cylinder Head Complete	54
	Cylinder Head Gasket	55
	Gasket Muffler	59
	Exhaust Valve	98
	Valve Seal	99
	Spring Valve	100
	Exhaust Valve Spring Retainer	101
	Exhaust Valve Adjuster	102
	Intake Valve	103
	Internal Valve Spring Retainer	104
751-10723	Gasket Kit - Complete	—
	Crankcase Cover Gasket	10
	O-ring, 5.2 × 1.9	15
	Oil-Draining Pipe	18
	Washer, 10 × 16 × 1.5	19
	Drain Bolt, 10 × 1.25	20
	Oil Seal, 25 × 41.25 × 6	21
	Gasket	42
	Valve Cover Gasket	47
	Cylinder Head Gasket	55
	Gasket Muffler	59
	Carburetor Insulator Gasket	61
	Carburetor Insulator	62
	Carburetor Gasket	63
	Push Rod	97
	Exhaust Valve	98
	Intake Valve	103

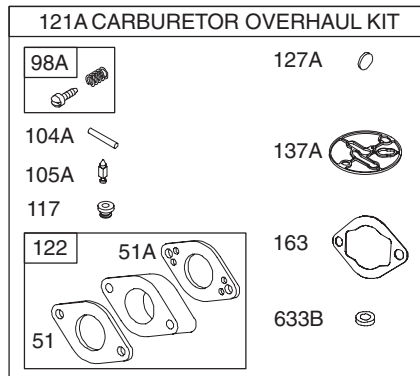
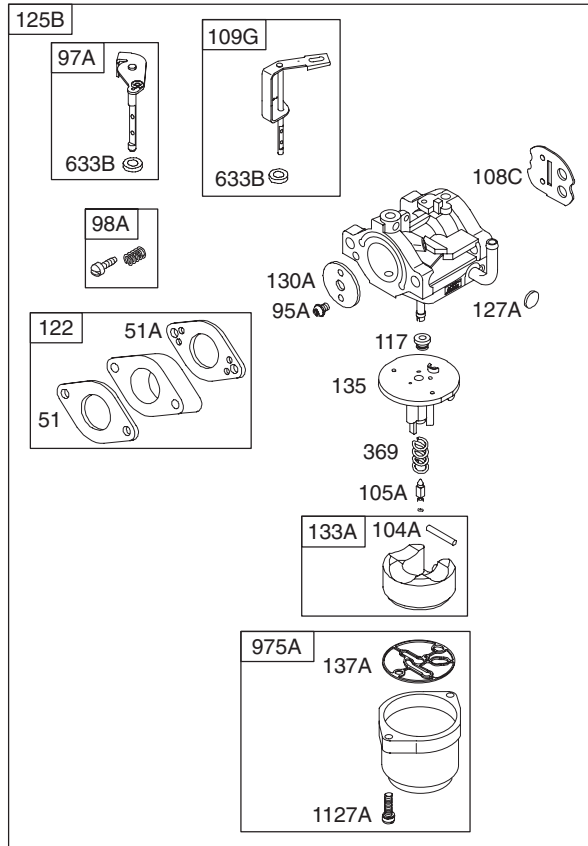
ZS 370-SU Engine

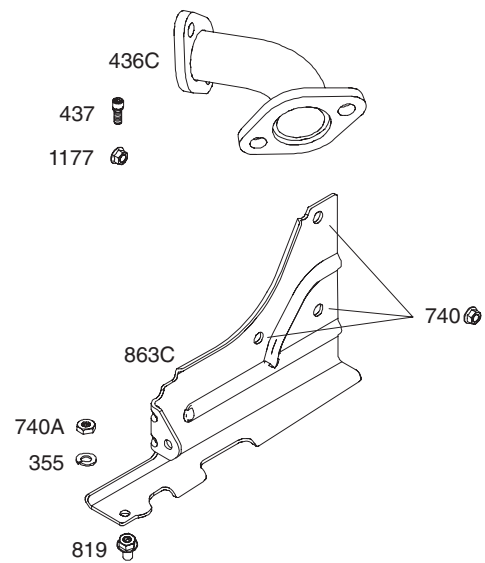
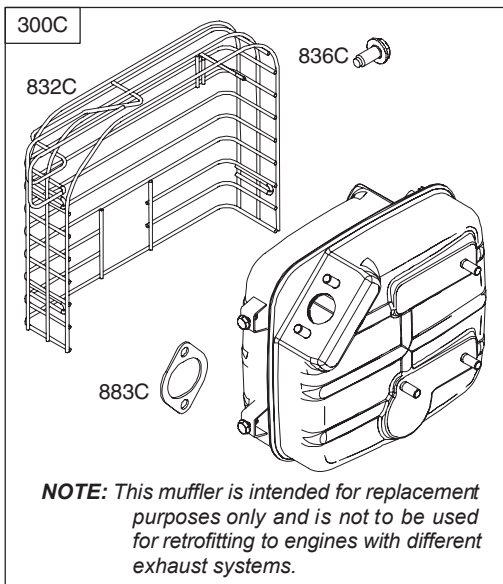
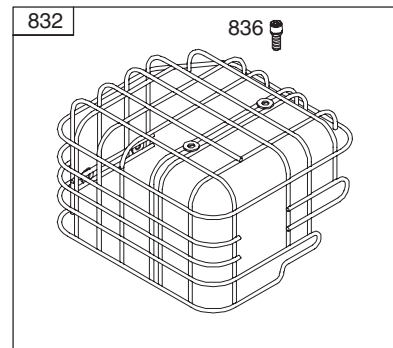
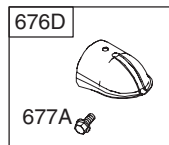
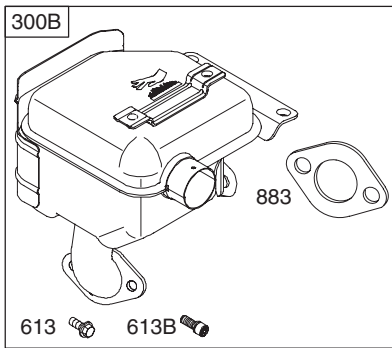
Part No.	Description	Ref. No.	Part No.	Description	Ref. No.
751-10952	Gasket Kit - External	—	751-10911	Starter Cup	32
	Valve Cover Gasket	47	751-10642A	Muffler Shroud	37
	Gasket Muffler	59	751-10643	Muffler Shield	40
	Carburetor Insulator Gasket	61	751-10644	Muffler Complete	
	Carburetor Insulator	62	Exhaust Pipe	41, 43	
	Gasket Carburetor	63	751-10666	Gasket	42
751-10974	Carburetor Assembly (365-SUA)	65	751-10657	Muffler Stud Assembly, 8 × 34	57
751-10638	Carburetor Assembly (370-SUA)	65	751-10292	Spark Plug	58
	Fuel Drain Plug	122	751-10640	Choke Push Rod	66
	Fuel Cup Fixed Bolt Packing	123	751-10635	Air Filter Heating Pipe Cover	69
	Fuel Drain Plug	124	751-10637	Key Switch	70
	Fuel Drain Plug Gasket	125	751-10630	Key	71
	Fuel Cup	126	751-10634	Shroud	72
	Float	127	751-10636	Choke Knob	73
	Floating Pin	128	751-10654	Spring Governor	77
	Needle Valve Spring	129	751-10664	Spring Throttle Return	78
	Needle Valve	130	751-10665	Rod Governor	79
	O-ring Packing	131	751-10758	Throttle Control Assembly	81
	Main Jet	132	751-10757	Throttle Control Knob	82
	Main Nozzle	133	751-10645A	Electric Starter, 110v	84
	Idle Jet Assembly	134	751-10648	Push Rod Kit	97
	Idle Speed Adjusting Screw	135	751-10647	Valve Kit	98, 103
	Carburetor Body	136	751-10655	Dipstick	107
	Fiber Seal	137	751-10656	Dipstick Base	108
	Choke Plate	138	751-10662	Dipstick Decoration Cover	110
	Throttle Shaft	139	751-10649	Fuel Tank Cap	111
	Choke Plate	140	751-10663A	Blower Housing	112
	Choke Shaft	141	751-10652	Fuel Filter	113
	Cross Screw	142	751-10653A	Fuel Tank	115
	Position Spring	143	751-10651	Nipple Fuel Tank	116
	Clip	144	751-10650	Fuel Line Kit	117, 118
	Fuel Hose	145	751-10658	Recoil Starter Assembly	121
	Primer Base	146	Starter Handle	—	
	Primer Bulb	147	751-10639	Primer	147
751-10641	Oil Drain Assembly	18, 19, 20	751-10307	Woodruff Key	149
751-10646	Ignition Module	22	952Z370-SUA	Complete 370-SUA Engine	—
751-10719	Stator	28	952Z365-SUA	Complete 365-SUA Engine	—
751-10805	Flywheel	30			
751-10909	Cooling Fan	31			

B&S 20M300 Engine

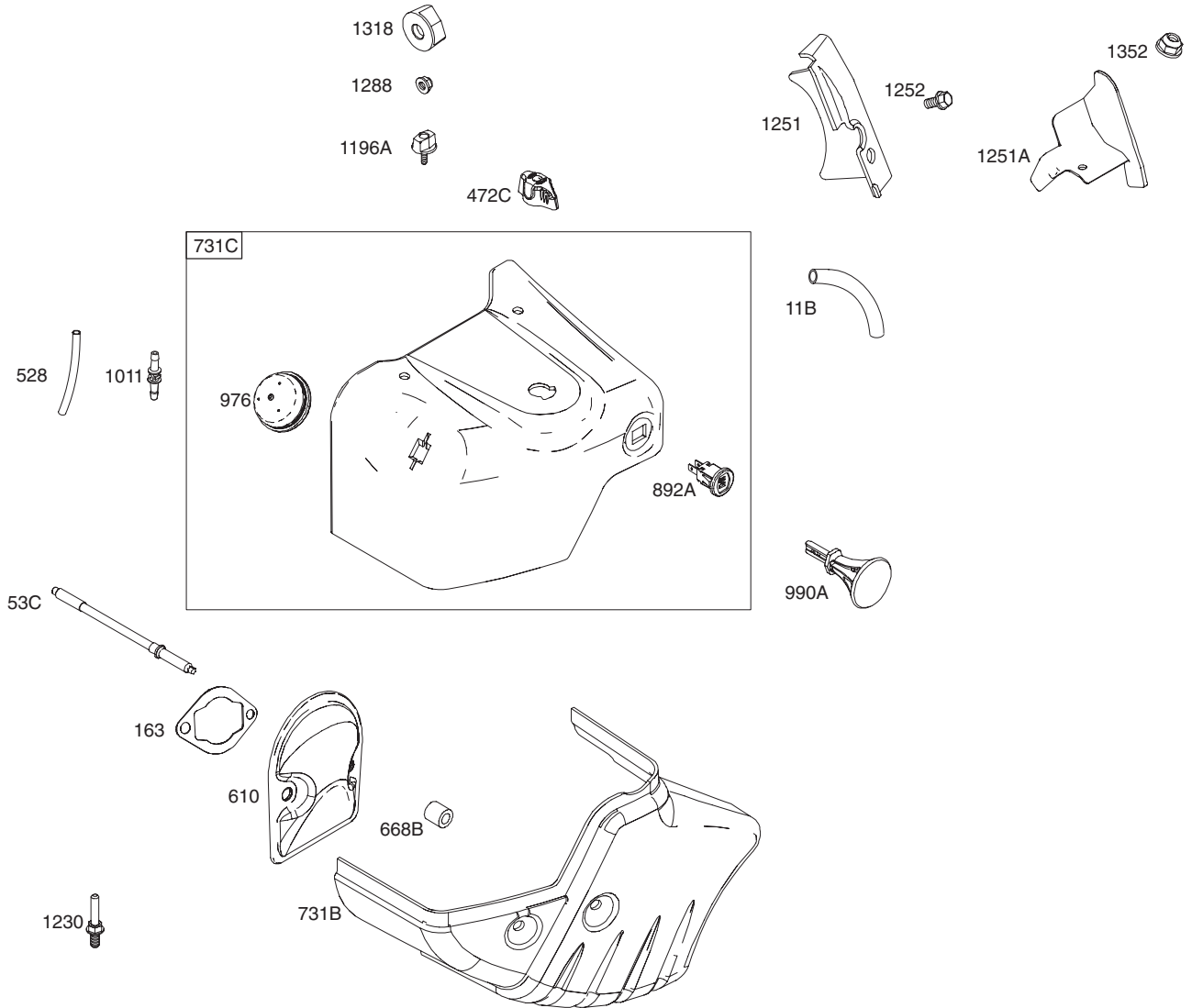




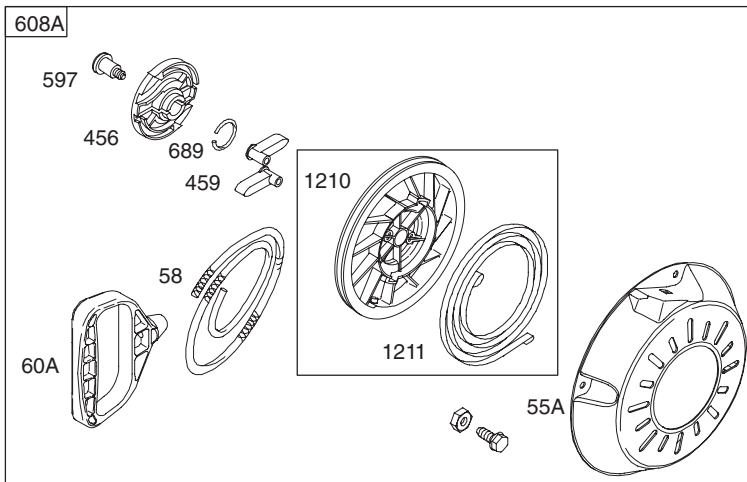
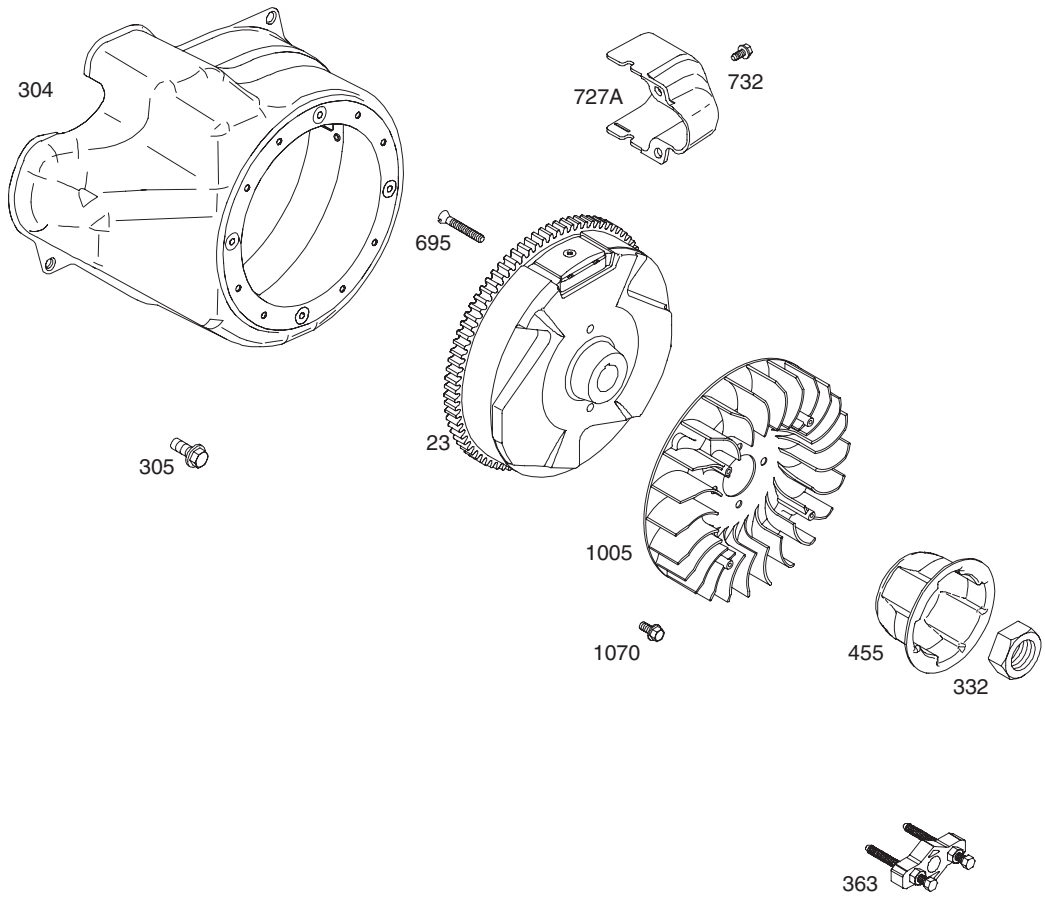




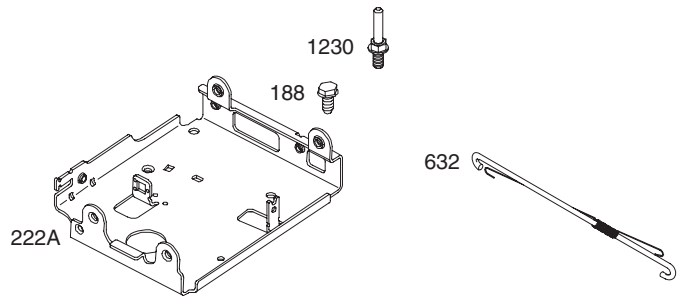
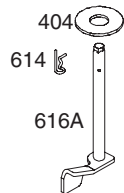
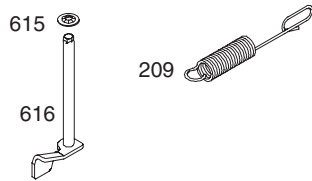
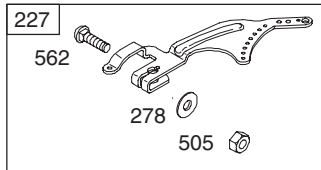
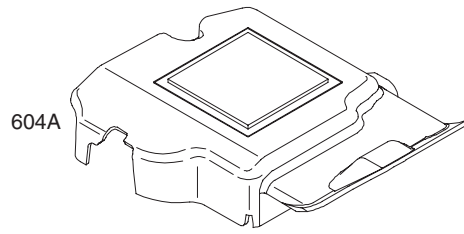
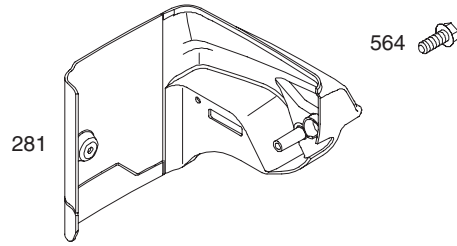
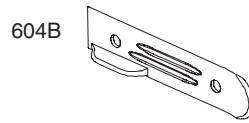
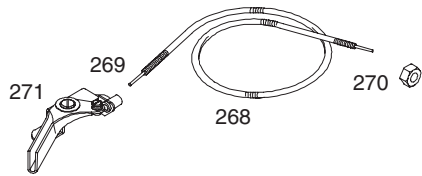
B&S 20M300 Engine



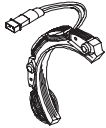






1036 EMISSIONS LABEL



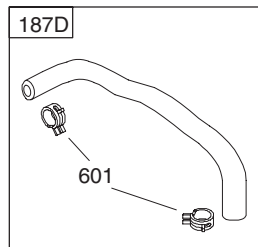
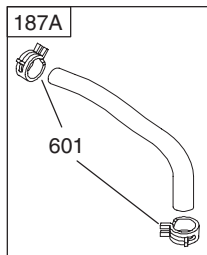
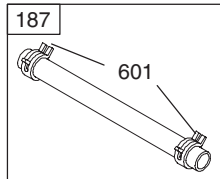
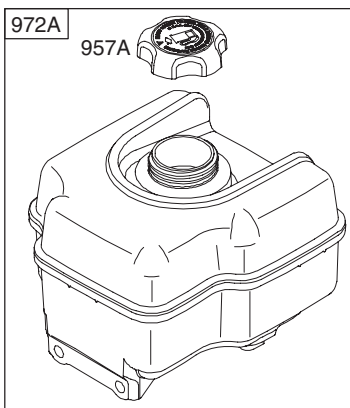
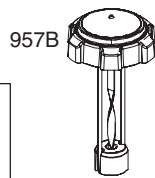
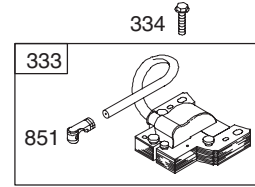
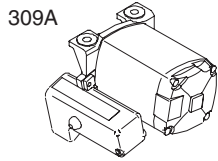
B&S 20M300 Engine



DUAL CIRCUIT	DC ONLY	DUAL CIRCUIT
474B	474F	474H
		
878 	578A 	878 

NOTE: All stators use a No. 1119 mounting screw 

NOTE: The proper flywheel part number and/or the alternator magnet size will determine the alternator type or output. See repair instruction manual for additional information.



B&S 20M300 Engine

Ref.	Part Number	Description
1	794849	Cylinder Assembly
2	698340	Kit–Bushing/Seal (Magneto Side)
3	*391086S	Seal–Oil (Magneto Side)
5	794871	Head–Cylinder
7	*Δ694872	Gasket–Cylinder Head
11B	696750	Tube–Breather
12	*694953	Gasket–Crankcase
13	794829	Screw (Cylinder Head)
15	691686	Plug–Oil Drain
15B	695757	Plug–Oil Drain
16	794720	Crankshaft
18	791965	Cover–Crankcase
19	698340	Kit–Bushing/Seal (PTO Side)
20	*391086S	Seal–Oil (PTO Side)
21	281658S	Cap–Oil Fill
22	794825	Screw(Crankcase Cover/Sump)
23	794812	Flywheel
24	222698S	Key–Flywheel
25	792117	Piston Assembly (Standard)
27	690975	Lock–Piston Pin
28	696581	Pin–Piston
29	694691	Rod–Connecting
30	694692	Dipper–Connecting Rod
32	690976	Screw (Connecting Rod)
33	499596	Valve–Exhaust
34	795199	Valve–Intake
35	694865	Spring–Valve (Intake)
36	694865	Spring–Valve (Exhaust)
42	499586	Keeper–Valve
45	690977	Tappet–Valve
46	795697	Camshaft
51	*Δ694874	Gasket–Intake
51A	*Δ694875	Gasket–Intake
53C	795017	Stud (Carburetor)
55A	696710	Housing–Rewind Starter
58	693389	Rope–Starter (Cut To Required Length)
60A	699334	Grip–Starter Rope

Ref.	Part Number	Description
65	699851	Screw (Rewind Starter)
95A	690718	Screw (Throttle Valve)
97A	696387	Shaft–Throttle
98A	•695408	Kit–Idle Speed
104A	•694918	Pin–Float Hinge
105A	•696136	Valve–Float Needle
108C	696736	Valve–Choke
109G	793520	Shaft–Choke
117	•696134	Jet–Main (Standard)
118	696135	Jet–Main (High Altitude)
121A	696146	Kit–Carburetor Overhaul (Nikki Carburetor)
122	•694876	Spacer–Carburetor
125B	794593	Carburetor
127A	•690727	Plug–Welch
130A	696139	Valve–Throttle
133A	694914	Float–Carburetor
135	696142	Tube–Fuel Transfer
137A	•695426	Gasket–Float Bowl
146	690979	Key–Timing
163	*•692277	Gasket–Air Cleaner
170	794833	Stud (Crankcase Cover/Sump)
187	791766	Line–Fuel (15 Inches Long) (Cut To Required Length)
187A	791869	Line–Fuel
187D	791879	Line–Fuel
188	699479	Screw (Control Bracket)
190	699220	Screw (Fuel Tank)
192	690083	Adjuster–Rocker Arm
209	695491	Spring–Governor
219	693578	Gear–Governor
220	691724	Washer (Governor Gear)
222A	794801	Bracket–Control
227	694864	Lever–Governor Control
268	691025	Casing–Control Wire (Cut To Required Length)
269	691026	Wire–Control (Cut To Required Length)
270	691027	Nut

* — Included in Engine Gasket Set–Ref. No. 358.

• — Included in Carburetor Overhaul Kit–Ref. No. 121A.

Δ — Included in Valve Gasket Set–Ref. No. 1095.

B&S 20M300 Engine

Ref.	Part Number	Description
271	691028	Lever—Control
278	792008	Washer (Governor Control Lever)
281	697268	Panel—Control
287	699629	Screw (Dipstick Tube)
300B	794948	Muffler
300C	793701	Muffler
304	795699	Housing—Blower
305	699481	Screw (Blower Housing)
306	697240	Shield—Cylinder
307	794822	Screw
309A	793524	Motor—Starter
332	794824	Nut (Flywheel)
333	492341	Armature—Magneto
334	699477	Screw (Magneto Armature)
337	491055S	Plug—Spark
356	692603	Wire—Stop
358	795201	Gasket Set—Engine
363	19203	Puller—Flywheel
369	695422	Spring—Float Bowl
383	19374S	Wrench—Spark Plug
404	795759	Washer (Governor Crank)
415	691363	Plug
436C	792374	Manifold—Exhaust
437	794844	Screw (Exhaust Manifold)
455	795011	Cup—Flywheel
456	692299	Plate—Pawl Friction
459	281505S	Pawl—Ratchet
472C	791948	Knob—Choke Shaft
474B	696742	Alternator
474F	793640	Alternator
474H	698230	Alternator
505	691251	Nut
523	790477	Dipstick
524	691876	Seal—Dipstick Tube
525	792041	Tube—Dipstick
528	793006	Hose—Primer (Cut to Required Length)
529	791822	Grommet

Ref.	Part Number	Description
552	694674	Bushing—Governor Crank
562	793216	Bolt (Governor Control Lever)
564	699854	Screw (Control Cover)
578A	792576	Wire Assembly
597	691696	Screw (Pawl Friction Plate)
601	791850	Clamp—Hose
604A	696758	Cover—Control
604B	790473	Cover—Control
608A	699335	Starter—Rewind
610	794541	Arrester—Intake
613	794846	Screw (Muffler)
613B	794844	Screw (Muffler)
614	691620	Pin—Cotter (Governor Crank)
615	694676	Retainer—Governor Shaft (Governor Gear)
616	694675	Crank—Governor
616A	795758	Crank—Governor
632	695917	Spring/Link—Mechanical Governor
633B	•690998	Seal—Choke/Throttle Shaft
635	691909	Boot—Spark Plug (Alternator)
668B	794539	Spacer (Snow Hood)
676D	794213	Deflector—Muffler
677A	699776	Screw (Muffler Deflector)
689	691855	Spring—Friction
695	698807	Screw (Ring Gear)
697	795012	Screw (Drive Cap)
718	690959	Pin—Locating (Cylinder)
718A	695178	Pin—Locating (Head)
725	696756	Shield—Heat
727A	697465	Cover—Starter Drive
731B	794540	Hood—Snow
731C	793621	Hood—Snow
732	699200	Screw (Starter Drive Cover)
740A	794843	Nut (Muffler Bracket)
741	691288	Gear—Timing
742	692564	Retainer—E Ring
746	694679	Gear—Idler
798	697890	Screw (Rocker Arm)

* — Included in Engine Gasket Set—Ref. No. 358.

• — Included in Carburetor Overhaul Kit—Ref. No. 121A.

Δ — Included in Valve Gasket Set—Ref. No. 1095.

B&S 20M300 Engine

Ref.	Part Number	Description
819	794832	Screw (Muffler Bracket)
832	795078	Guard Muffler
832C	792380	Guard–Muffler
836	699234	Screw (Muffler Guard)
836C	710023	Screw (Muffler Guard)
842	691031	Seal–O Ring (Dipstick Tube)
847	790476	Dipstick/Tube Assembly
851	692424	Terminal–Spark Plug
863C	793700	Bracket–Muffler
868	*Δ794086	Seal–Valve
878	398661	Wire/Connector–Alternator
883	*Δ695398	Gasket–Exhaust
883C	710250	Gasket–Exhaust
892A	791944	Switch–Key
914	794827	Screw (Rocker Cover)
930	696709	Guard–Rewind
957	795027	Cap–Fuel Tank (Plastic)
957A	792647	Cap–Fuel Tank (Plastic, Fresh Start)
957B	698109	Cap–Fuel Tank (Plastic)
958	698180	Valve–Fuel Shut Off (Plastic)
972A	694260	Tank–Fuel (Plastic)
975A	696138	Bowl–Float
976	793382	Primer–Carburetor
990A	794696	Key Set
998A	696683	Pipe–Oil
1005	794815	Fan–Flywheel
1011	794544	Tube–Vent
1022	*Δ690971	Gasket–Rocker Cover
1023A	698042	Cover–Rocker
1026	695177	Rod–Push
1029	690972	Arm–Rocker
1036		Label–Emissions (Available From A Briggs & Stratton Authorized Dealer)
1058	277104	Operator’s Manual
1070	794821	Screw (Flywheel Fan)
1095	795200	Gasket Set–Valve
1100	791959	Pivot–Rocker Arm

Ref.	Part Number	Description
1119	699772	Screw (Alternator)
1127A	695407	Screw (Float Bowl)
1171	794828	Stud (Rocker Cover)
1177	710090	Nut (Muffler)
1194	691876	Seal–O Ring (Plug)
1196A	696692	Screw (Snow Hood)
1210	498144	Pulley/Spring Assembly (Pulley)
1211	498144	Pulley/Spring Assembly (Spring)
1230	699847	Stud (Control Bracket)
1251	696762	Shield–Snow
1251A	790471	Shield–Snow
1252	699481	Screw (Snow Shield)
1288	794838	Nut (Snow Hood)
1318	698111	Knob–Snow Hood
1319	794467	Label–Warning
1351	794847	Stud (Cylinder Shield)
1352	795016	Nut (Spark Plug Shield)

* — Included in Engine Gasket Set–Ref. No. 358.

• — Included in Carburetor Overhaul Kit–Ref. No. 121A.

Δ — Included in Valve Gasket Set–Ref. No. 1095.



CUB CADET LLC, P.O. BOX 361131 CLEVELAND, OHIO 44136-0019
