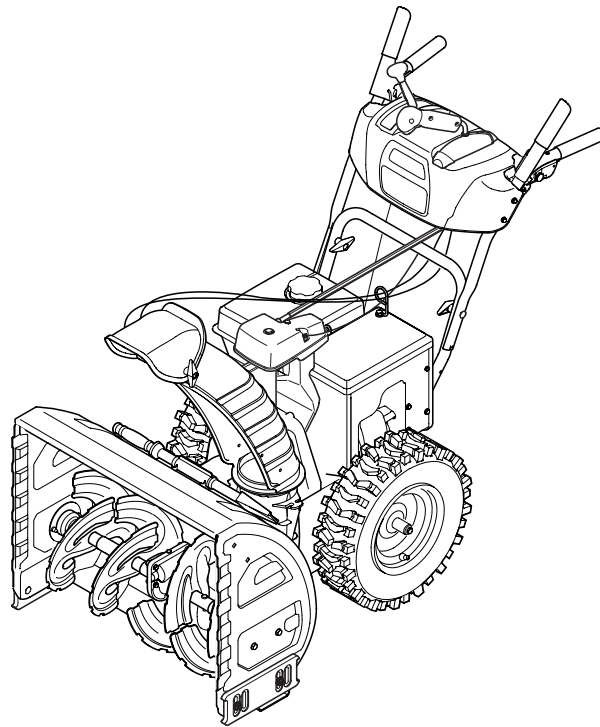


---

# *Cub Cadet.*

## ILLUSTRATED PARTS MANUAL



### 600 Series Snow Throwers — 524 WE

---

CUB CADET LLC, P.O. BOX 361131 CLEVELAND, OHIO 44136-0019

---

# To The Owner

Thank you for purchasing a Cub Cadet Snow Thrower. It was carefully engineered to provide excellent performance when properly operated and maintained.

All information in this manual is relative to the most recent product information available at the time of printing. Please be aware that this Illustrated Part's Manual may cover a range of product specifications for various models.

Components listed and/or illustrated in this manual may not be applicable to all models. We reserve the right to change product specifications, designs and equipment without notice and without incurring obligation.

Throughout this manual, all references to *right* (RH) and *left* (LH) are observed from the operating position.

## Table of Contents

<b>Augers</b> .....	<b>10</b>	<b>Drive System</b> .....	<b>10</b>
<b>Axle</b> .....	<b>10</b>	<b>Engine Model 370-SUB-11</b> .....	<b>12</b>
<b>Belts</b> .....	<b>10</b>	<b>Frame</b> .....	<b>10</b>
<b>Cable, Auger</b> .....	<b>6</b>	<b>Friction Wheel</b> .....	<b>10</b>
<b>Chute, Extended</b> .....	<b>8</b>	<b>Gear Box</b> .....	<b>6</b>
<b>Cleanout Tool, Chute</b> .....	<b>6</b>	<b>Shear Pins</b> .....	<b>6</b>
<b>Controls, 4-way Chute</b> .....	<b>8</b>	<b>Skid Shoes</b> .....	<b>6</b>
<b>Cord, Extension</b> .....	<b>6</b>	<b>Wheels</b> .....	<b>10</b>
<b>Dash Panel, S/T-Style</b> .....	<b>4</b>		

## Record Product Information

To ease in ordering replacement parts, please locate the model plate on the equipment and record the information in the provided area to the right. You can locate the model plate by looking beneath the seat.

### MODEL NUMBER

--	--	--	--	--	--	--	--	--	--	--

### SERIAL NUMBER

--	--	--	--	--	--	--	--	--	--	--

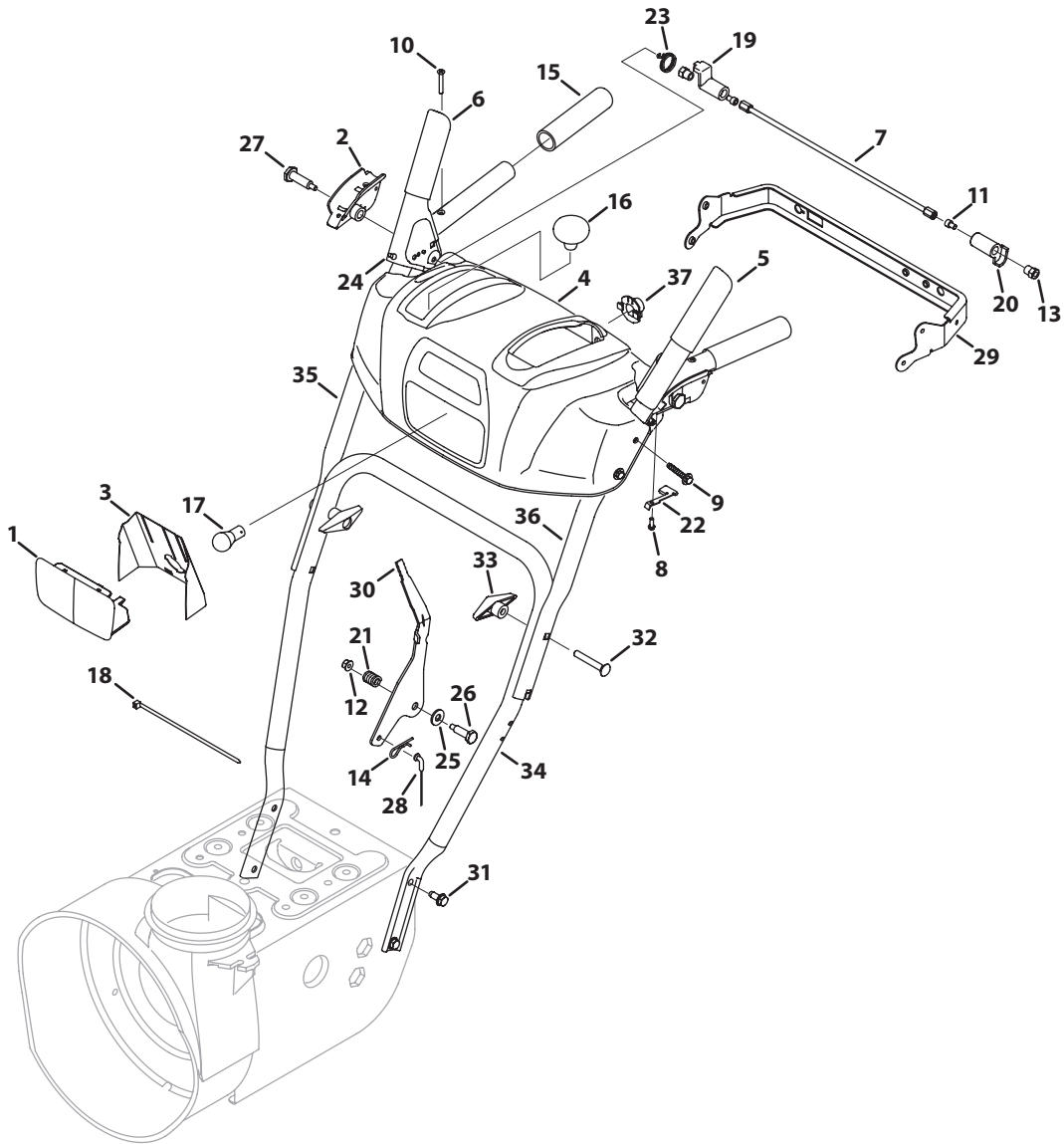
## Painted Parts

When ordering painted service parts, a four digit color suffix must be added to the part number (e.g. 783-XXXXX). Please refer to the table below for current color codes:

0637	Black	0685	Blue (Cub Cadet)
4021	Yellow (Cub Cadet)	0691	Black Jack (Cub Cadet Commercial)
0499	Beige (Cub Cadet)		

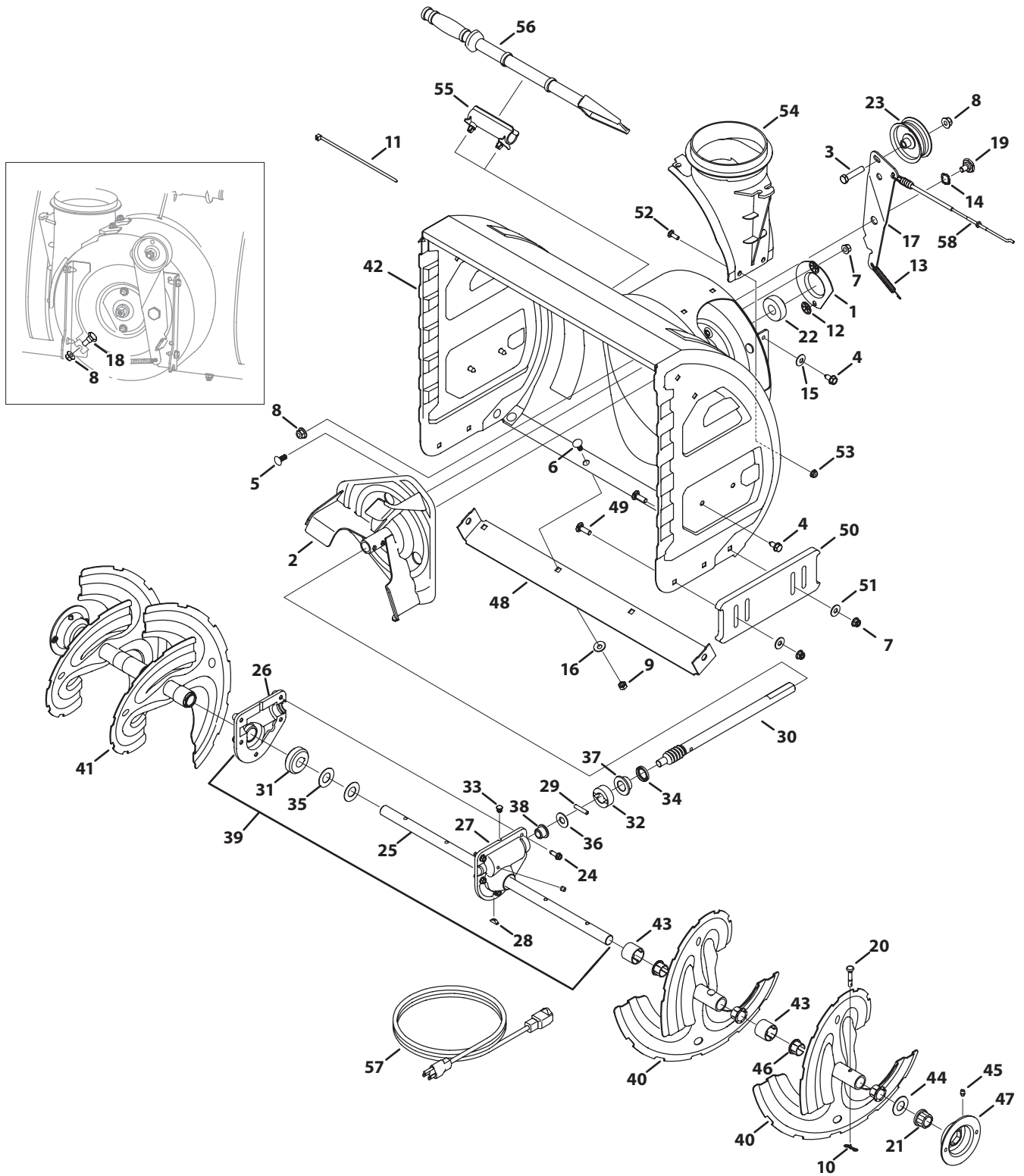


# S/T-Style Panel



Ref.	Part Number	Description
1	731-05324	Lens
2	631-04134B	Handle Clutch Lock - RH
—	631-04133A	Handle Clutch Lock - LH
3	777X41804	Lens Reflector Label
4	931-04187A	T-Style Panel Ass'y, (inc. Ref. 1 & 3)
5	684-04105B	Handle Engagement Assembly LH
6	684-04106B	Handle Engagement Assembly RH
7	684-04250	Pivot Rod
8	710-04326	Screw, Plastite, 8-16 x .50
9	710-04586	Screw, 1/4-20 x 1.625
10	710-1233	Screw, #10-24 x 1.375
11	710-3069	Screw, Socket, 1/4-20 x .50
12	712-04064	Flange Lock Nut, 1/4-20
13	712-04081A	Shoulder Nut, 1/4-20
14	914-0145	Click Pin
15	720-0274	Handle Grip
16	720-04039	Shift Knob
17	725-1629	Lamp
18	926-0154	Cable Tie
19	731-04894D	Lock Plate
20	731-04896B	Clutch Lock Cam
21	732-0193	Compression Spring
22	732-04219C	Clutch Lock Spring
23	732-04238	Torsion Spring
24	935-0199A	Rubber Bumper
25	936-0267	Flat Washer, .385 x .87 x .06
26	738-04125	Shoulder Screw, .374 x 1.05
27	738-04348	Shoulder Screw, 1/4-20 x 1.345
28	946-04396A	Speed Selector Cable
29	790-00248C	Panel Bracket
30	790-00311A	Shift Lever
31	710-04484	Screw, 5/16-18 x .750
32	710-0572	Carriage Screw, 5/16-18 x 2.25
33	920-0284	Wing Knob
34	749-04138A	Lower Handle
35	749-04190A	Upper Handle RH
36	749-04191A	Upper Handle LH
37	925-1649	Light Socket
—	925-04137	Wire Harness (Not Shown)

# Auger & Auger Housing

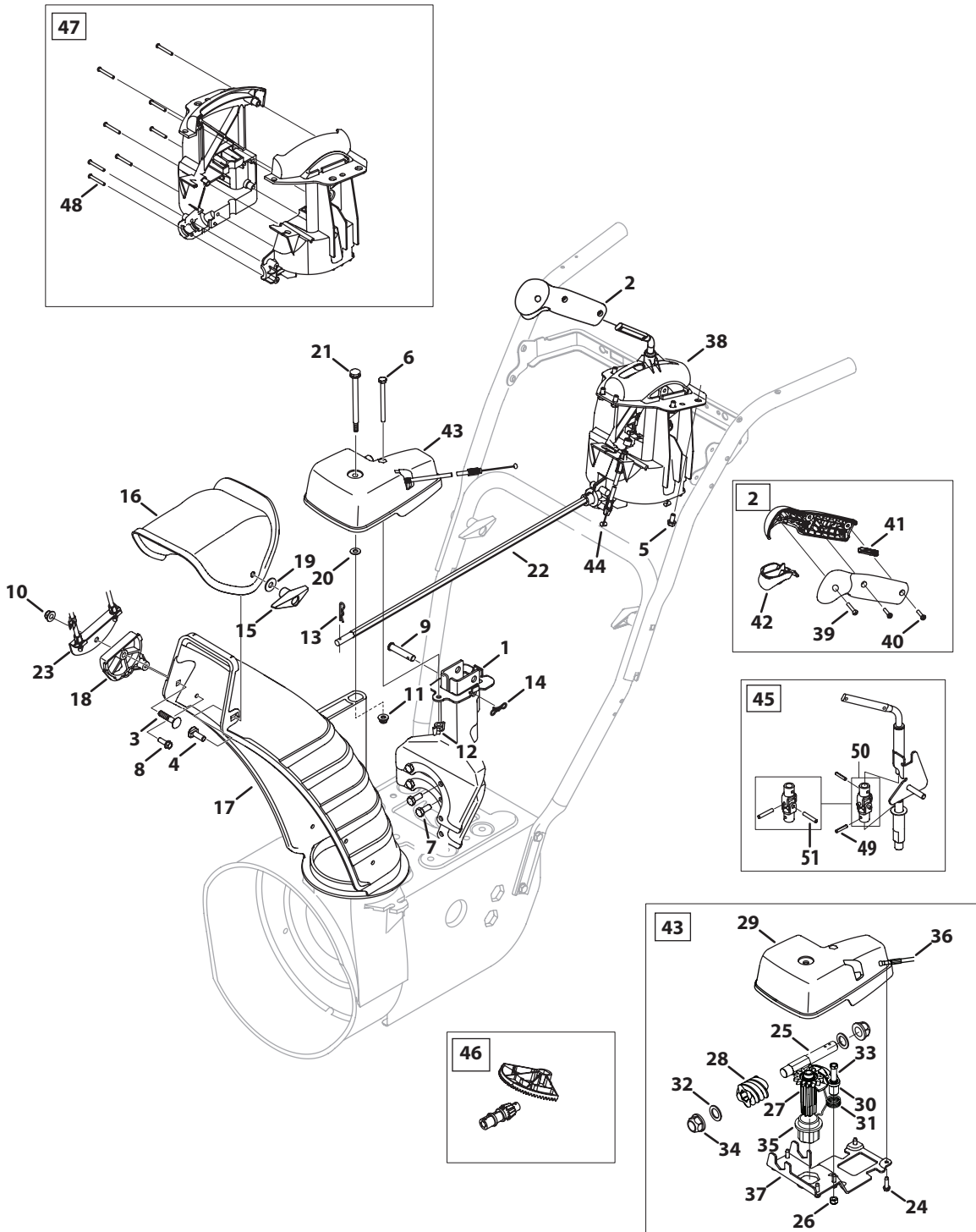


## Auger & Auger Housing

Ref.	Part Number	Description
1	790-00075	Bearing Housing, 1.85 ID
2	684-04057A	Impeller Assembly, 12" Dia.
3	710-0347	Hex Screw, 3/8-16 x 1.75
4	710-04484	Taptite Screw, 5/16-18 x .750
5	710-0451	Carriage Bolt, 5/16-18 x .75, Grade 5
6	710-04525	Carriage Bolt, 5/16-18 x .750, Steel
7	712-04063	Flange Lock Nut, 5/16-18
8	712-04065	Flange Lock Nut, 3/8-16
9	712-04103	Hex Nut, 5/16-18
10	714-04040	Bow-Tie Cotter Pin
11	725-0157	Cable Tie
12	926-04012	Push-On Nut, .25 Dia.
13	732-04460	Extension Spring, .38 OD x 4.59
14	736-0174	Wave Washer, .625 x .885 x .0175
15	736-0242	Washer, Bell, .340 x .872 x .060
16	736-04216	Bell Washer, .340 x .872 x .06, Steel
17	790-00080A	Auger Idler Bracket
18	738-0143	Shoulder Bolt, 3/8-16 x .496 x .336
19	938-0281	Shoulder Screw, 3/8-16 x .625 x .17
20	738-04124A	Shear Pin, .25 x 1.50
21	941-0245	Hex Flange Bearing x .75 ID
22	941-0309	Flange Ball Bearing, .75 ID x 1.85 OD
23	756-04224	Flat Pulley, 2.75 OD
24	710-0642	Taptite Screw, 1/4-20 x .750
25	711-04285	Auger Axle
26	918-0123A	Housing Assembly, RH
27	918-0418A	Housing Assembly, LH
28	914-0161	Hi-Pro Key, 3/16 x 5/8
29	715-04021	Dowel Pin, .25OD x 1.25

Ref.	Part Number	Description
30	917-04126	Worm Shaft, .75 OD
31	917-04861	Worm Gear, 20T
32	718-04071	Thrust Collar, .756 ID x .600
33	721-0325	Plug, 1/4 x .437
34	721-0327	Oil Seal, .75 x 1.131 x .188
35	936-0351	Flat Washer, .760 ID x 1.50 OD
36	736-3084	Flat Washer, .51 x 1.12 x .06
37	741-0662	Flange Bearing, .75 ID x 1.0 OD x .59
38	741-0663	Flange Bearing, .50 ID x .75 OD x .59
39	918-04191B	Gear Box; includes Ref. 24 - 38
40	684-04107	Spiral Assembly (Left)
41	684-04108	Spiral Assembly (Right)
42	684-04259	Auger Housing, 24" Cub
43	731-04870	Spacer, 1.25OD x .75ID x 1.00
44	736-0188	Flat washer, .76 x 1.49 x .06
45	937-3000	Drive Lube Fitting, 3/16
46	741-0493A	Flange Bushing, .800 ID x .910 OD
47	790-00138A	Bearing Housing
48	790-00120	Shave Plate, 24"
49	710-0276	Screw, Carriage, 5/16-18 x 1.00
50	731-06931	Deluxe Shoe
51	936-0159	Washer, Flat, .349 x .879 x .063
52	710-0703	Carriage Screw, 1/4-20 x .75
53	712-04064	Flange Lock Nut, 1/4-20
54	731-07525	Chute Adaptor, 5" Dia.
55	731-2635	Cleanout Tool Mount
56	931-2643	Cleanout Tool
57	929-0071A	Extension Cord
58	946-04230A	Auger Drive Cable

# 4-Way Extended Chute



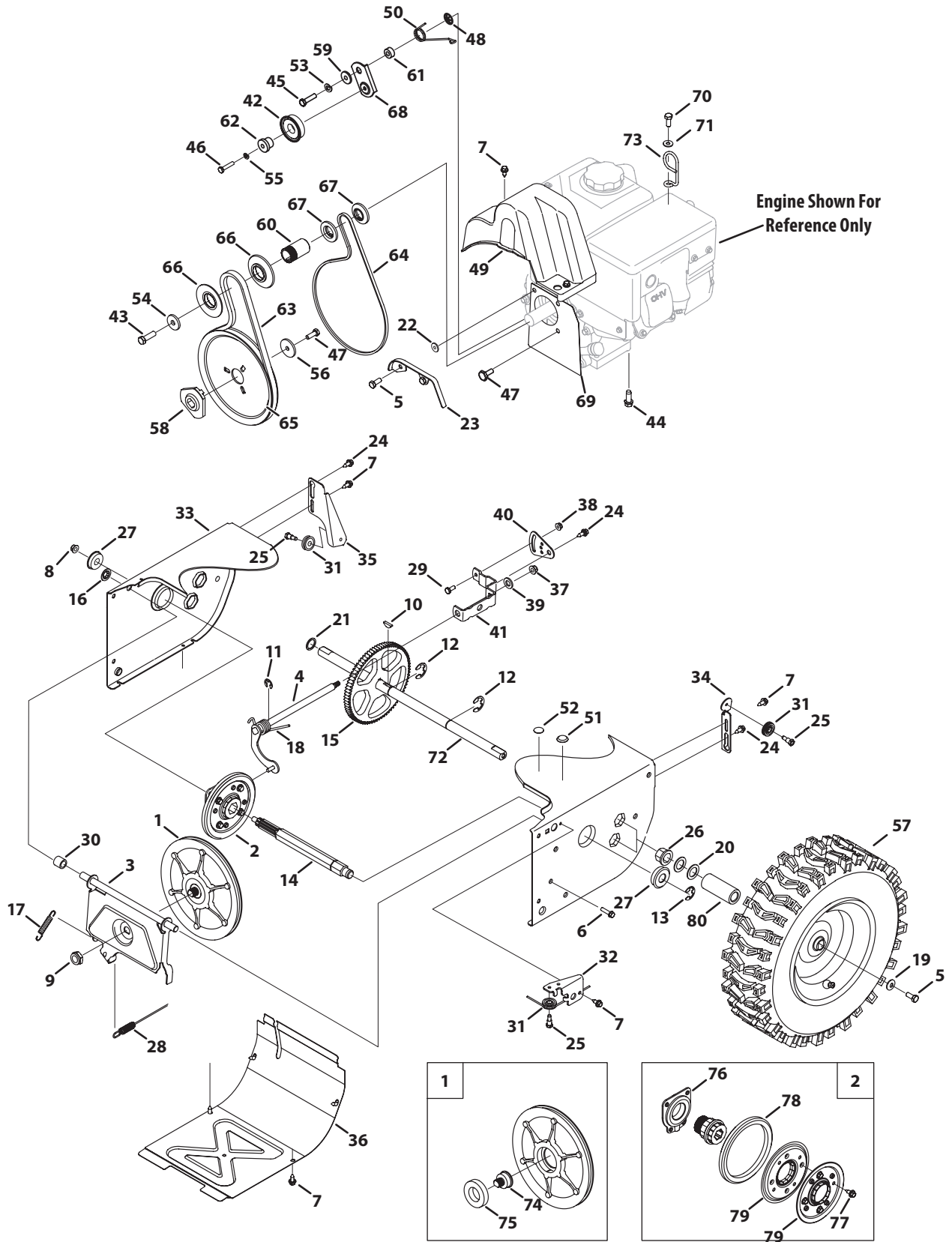


## 4-Way Extended Chute

Ref.	Part Number	Description
1	684-04311A	Chute Support Bracket
2	753-06151	Kit, Trigger Housing
3	710-0262	Bolt, Carriage, 5/16-18 x 1.50
4	710-04071	Bolt, Carrier, 5/16-18 x 1.00
5	710-04187	Screw, Hi-Lo, 1/4-15 x 0.50
6	710-04370	Hex Head Screw, 1/4-20 x 3.00
7	710-0627	Hex Head Screw, 5/16-24 x .750
8	710-0895	Screw, Hi-Lo, 1/4-15 x 0.750
9	711-04469A	Clevis Pin, 3/8 x 1.87
10	712-04063	Nut, Flange Lock, 5/16-18
11	712-04064	Nut, Flange Lock, 1/4-20
12	712-3087	Wing Nut, 1/4-20
13	914-0101	Internal Cotter Pin
14	714-04040	Bow-Tie Cotter Pin
15	920-0284	Wing Knob
16	731-04427A	Chute, Upper
17	731-06440A	Chute, Lower
18	731-06451	Cable Guide, Chute Tilt
19	936-0159	Washer, Flat, .349 x .879
20	736-04446	Washer, Flat, .25 x .630
21	738-04367	Screw, Shoulder, .312 x 3.5 x 1/4-20
22	747-05116	Chute Rod, 3/8 Hex
23	784-5594	Cable Bracket
24	710-04373A	Screw, 12-16 x .75
25	711-05186	Hex Shaft
26	712-0896	Hexlock Nut, 1/4-28

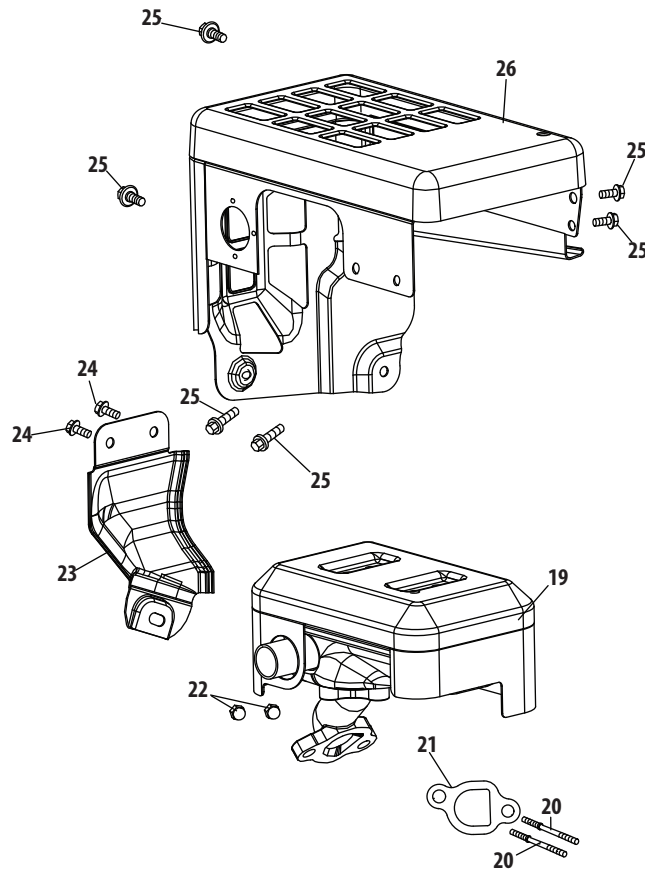
Ref.	Part Number	Description
27	717-04667	Gear, 14 T
28	717-04672	Worm
29	731-06906	Gear Cover
30	731-06943	Pawl Lock
31	732-04638B	Torsion Spring, .721 ID x .474
32	736-0290	Washer, Flat, .625 x 1.0 x .067
33	738-04391	Screw, Shoulder, .34 x .95 x 1/4-28
34	941-0225	Hex Bearing
35	741-04388	Flange Bearing
36	946-04619B	Cable Lock
37	790-00342A	Gear Bracket
38	684-04338A	Chute Control, 4-Way
39	710-04353	Screw, #8 x 1.00
40	710-04879	Screw, 8-32 x .750
41	731-04893A	Joystick Plug
42	731-07031	Joystick Trigger
43	918-04801A	Chute Rotation Gearbox
44	946-04528A	4-Way Cable
	946-04477†	4-Way Cable w/Clip
45	984-04324A	Shift Assembly
46	753-06152	Gear Set Assembly
47	753-06153	Handle Housing Assembly
48	710-1256	Screw, #8-18 x 1.250
49	715-04095	Pin, Roll
50	684-04350	Block, Asm Joint
51	715-0150	Pin, Roll

# Drive System

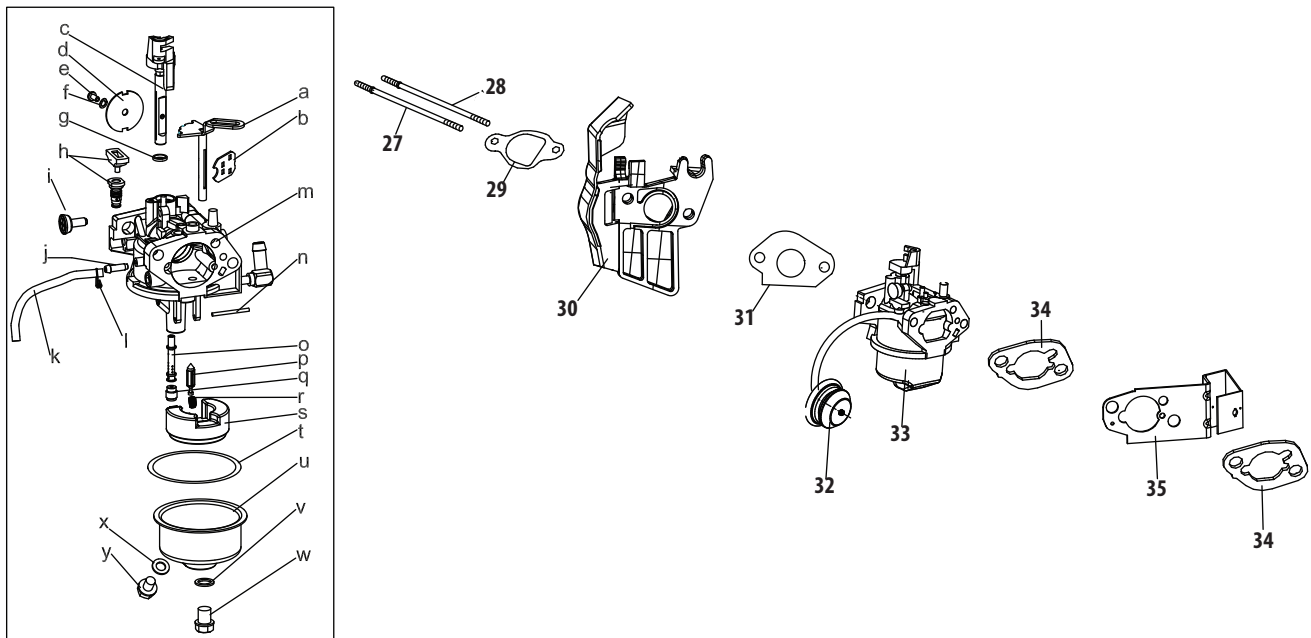


Ref.	Part Number	Description	Ref.	Part Number	Description
1	656-04055	Disc Assembly, Friction Wheel	42	684-04169	Idler Pulley Assembly
2	684-04153	Friction Wheel Assembly, 5.5 OD	43	710-0191	Hex Screw, 3/8-24 x 1.25
3	684-04154B	Friction Wheel Support Bracket	44	710-0654A	Sems Screw, 3/8-16 x 1.00
4	684-04156A	Rod Shift Assembly	45	710-0672	Hex Screw, 5/16-24 x 1.25
5	710-0627	Hex Head Screw, 5/16-24 x .750	46	710-0809	Hex Screw, 1/4-20 x 1.25
6	710-0788	Taptite Screw, 1/4-20 x 1.000	47	738-04439	Shoulder Screw, 5/16-24 x .5
7	710-1652	Taptite Screw, 1/4-20 x .625	48	926-04012	Push-on Nut, .25 Dia.
8	712-04065	Flange Lock Nut, 3/8-16	49	731-05353	Belt Cover
9	712-0417A	Flange Nut, 5/8-18	50	732-04308A	Torsion Spring, .850 ID x .333
10	914-0126	Hi-pro Key, 3/16 x 3/4 Dia.	51	735-04099	Plug, 3/8 ID
11	916-0104	E-Ring	52	735-04100	Plug, 1/2 ID
12	716-0136	Retaining E-Ring, .875 Dia.	53	936-0119	Lock Washer, 5/16
13	916-0231	E-Ring, .750 Dia.	54	736-0247	Flat Washer, .406 x 1.25 x .157
14	917-04209A	Hex Shaft, 7-Tooth	55	936-0329	Washer, Lock, 1/4
15	917-04230	Gear, 80-Tooth	56	736-0505	Flat Washer, .34 x 1.50 x .150
16	726-0221	Speed Nut, .500	57	634-04147A-0931	X-Trac Wheel, 15 x 5 x 6, LH
17	932-0264	Extension Spring		634-04148A-0931	X-Trac Wheel, 15 x 5 x 6, RH
18	732-04311A	Torsion Spring, .750 x .968	58	748-04053A	Adapter Pulley, .75 Dia.
19	736-0242	Bell Washer, .340 x .872 x .060	59	748-04112B	Shoulder Spacer, .3175 x .5 x .0975
20	936-0287	Flat Washer, .793 x 1.24 x .060	60	750-04303	Spacer, .875 ID x 1.185 OD
21	736-04161	Flat Washer, .75 x 1.00 x .060	61	750-04477A	Spacer, .340 x .750 x .330
22	936-0140	Washer, Flat, .385 x .62 x .063	62	750-04571	Shoulder Space, .260 x .785 x .538
23	731-07101	Belt Cover	63	954-04050	Auger Drive Belt
24	738-04184A	Shoulder Screw, .368 x .113, 1/4-20	64	954-04260	Wheel Drive Belt
25	738-0924A	Shoulder Screw, 1/4-28, .340 x .355	65	756-04109	Auger Drive Pulley, 8.1 x .5
26	941-0245	Hex Flange Bearing	66	756-04113	Pulley Half, 2.600 OD
27	941-0563	Ball Bearing, 17 x 40 x 12	67	756-04252	Pulley Half, 3/8 x 1.716 OD
28	946-04229B	Wheel Clutch Cable, 44.95"	68	790-00208C	Wheel Drive Idler Bracket
29	710-0751	Hex Head Screw, 1/4-20 x .620	69	790-00289A	Cover Plate
30	748-0190	Spacer, .508 ID x .75 OD x .68	70	710-04022	Hex Head Screw, 1.25 x 20
31	756-0625	Cable Roller	71	936-0264	Washer, Flat, .330 x .630 x .0635
32	790-00096	Auger Cable Front Guide Bracket	72	938-04168	Axle, .75 x 22
33	790-00180A	Frame	73	732-0705	Cable Guide
34	790-00206A	Auger Cable Guide Bracket	74	738-04164A	Friction Disc Bearing Pin
35	790-00207B	Drive Cable Guide Bracket	75	741-04098	Ball Bearing, 30 x 55 x 13
36	790-00316	Frame Cover	76	618-0063A	Bearing Assembly
37	712-04063	Flange Lock Nut, 5/16-18	77	710-0896	Screw, 1/4-14 x .625
38	712-04064	Flange Lock Nut, 1/4-20	78	935-04054	Friction Wheel Rubber
39	936-3015	Washer, Flat, .469 x .875 x .105	79	790-00174	Friction Wheel Plate
40	790-00217A	Speed Selector Pivot Bracket	80	731-04873	Spacer, 1.25 x .75 x 3.0
41	790-00218A	Speed Selector Shift Bracket			

# 370-SUB-11 Muffler

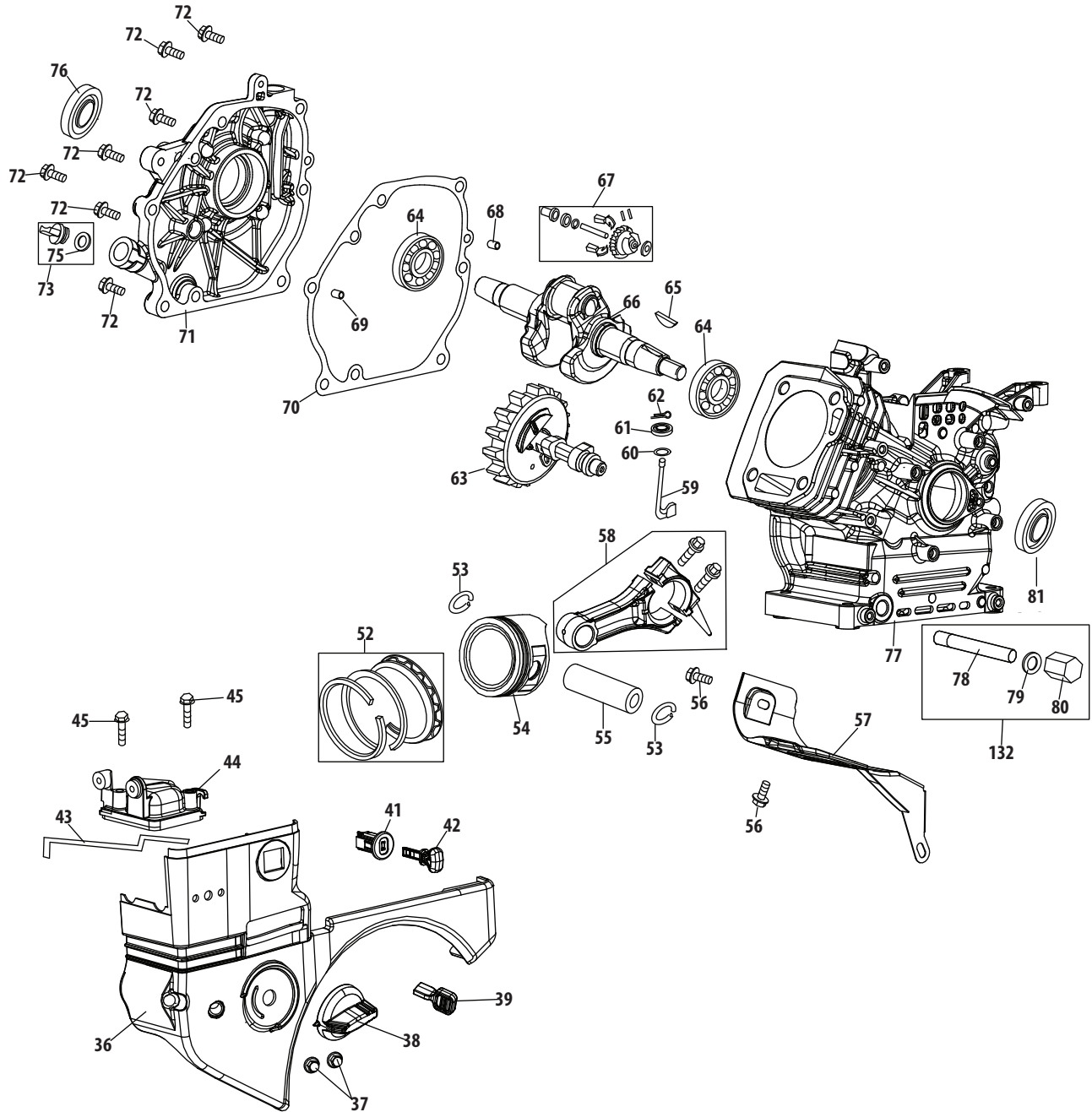


Ref.	Part Number	Description
19	951-11282	Muffler Assembly
20	710-04911	Muffler Stud M8×36
20	951-10657	Muffler Stud Assembly
21	951-11285	Exhaust Pipe Gasket
22	712-04214	Nut,M8
23	951-11111	Exhaust Pipe Shield
24	710-04914	Bolt M6×10
25	710-04915	Bolt M6×12
26	951-10642A	Muffler Shield
	777I22990	Label-Run/Choke
	777I22991	Label-Primer
	777I22992	Label-Electric Start
	777I23026	Label-Electric Start Warning
	777S33610	Label- Oil / Warning



Ref.	Part Number	Description	Ref.	Part Number	Description
27	710-04939	Stud M6×117	j		Mixture Screw
28	710-04910	Stud M6×105	k	951-11699	Primer Hose
29	951-11567	Carburetor Insulator Gasket	l	951-11906	Hose Clamp
30	951-11896	Carburetor Insulator	m		Carburetor Body
31	951-11569A	Carburetor Gasket	n		Float Pin
32	951-10639A	Primer Assembly	o		Emulsion Tube
32	951-11824	Primer Bulb	p		Needle Valve
33	951-10638A	Carburetor Assembly	q		Main Jet
34	951-11897	Carburetor Gasket Plate	r		Needle Valve Spring
35	951-11112	Choke Control	s		Float
a		Choke Shaft	t	951-11589	Fuel Bowl Gasket
b		Choke Plate	u		Fuel Bowl
c		Throttle Shaft	v	951-11348	Fuel Bowl Gasket
d		Throttle Plate	w	710-04945	Fuel Bowl Mounting Bolt
e		Screw M3×5	x	951-11349	Fuel Drain Plug Gasket
f		Lock Washer	y	710-04938	Fuel Drain Plug
g		Gasket, Throttle Plate		951-11021A	Carburetor Kit - Major (Incl.g,h,l,n,o,p,q,r,s,t,v,x)
h		Idle Jet Assembly			
i		Idle Speed Adjusting Screw			

# 370-SUB-11 Crankcase

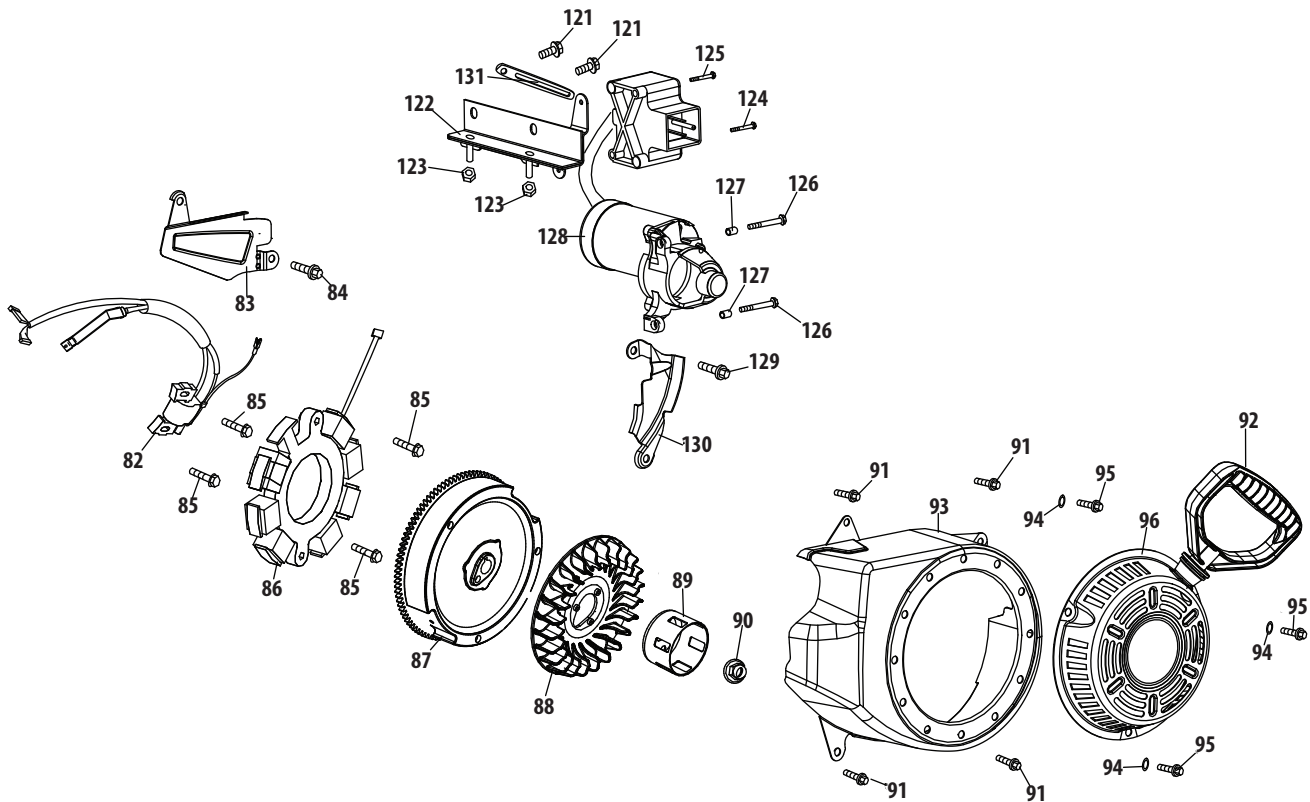


## 370-SUB-11 Crankcase

Ref.	Part Number	Description
36	951-10634	Air Cleaner Housing
37	712-04213	Nut
38	951-11284	Choke Knob
39	951-10757	Throttle Control Knob
41	951-10637	Key Switch Base
42	731-05632	Key
43	951-10640	Choke Push Rod
44	951-10635	Heater Box
45	710-04919	Bolt M6×25
52	951-12111	Piston Ring Set
53	951-11632	Piston Pin Snap Ring
54	951-12007	Piston
55	951-11633	Piston Pin
56	710-04915	Bolt M6×12
57	951-11113	Air Shield
58	951-11573	Connecting Rod Assembly
59	951-11356	Governor Arm Shaft
60	736-04461	Washer 5.2×1.9
61	951-11902	Governor Seal
62	714-04074	Cotter Pin
63	951-11575	Camshaft Assy.
64	951-11369	Radial Ball Bearing,6205
65	951-10307	Woodruff Key
66	951-11247A	Crankshaft Assembly
67	951-11576	Governor Gear/Shaft Assembly
68	715-04092	Dowel Pin 7×14
69	715-04089	Dowel Pin 9×14
70	951-11371	Crankcase Cover Gasket

Ref.	Part Number	Description
71	951-12125	Cover Comp,Left Crankcase
72	710-04932	Bolt M8×32
73	951-11283	Oil Fill Plug Asm
75	951-11577	O-Ring 15.8×2.5
76	951-11368	Oil Seal,25×41.25×6
77	951-11060A	Short Block (Incl.4,21,29,30,46,48,49, 52-55,58-72,74-81)
78	951-11350	Oil Drain Pipe Assy.
79	736-04440	Washer 10×16×1.5
80	710-04906	Oil Drain Plug
81	951-11370	Oil Seal 25×41.25×6
132	951-10641	Oil Drain Assembly
	952Z370-SUB-11	Complete Engine
	777I22990	Label-Run/Choke
	777I22991	Label-Primer
	777I22992	Label-Electric Start
	777I23026	Label-Electric Start Warning
	777S33610	Label- Oil / Warning
	951-11246	Crankcase Cover Kit (Incl.64,70-73,76)
	951-11247A	Crankshaft Kit (Incl.64-66,76,81)
	951-11249	Crankcase Kit (Incl.61,64,76,77,81)
	951-11059A	Gasket Kit - Complete (Incl.4,21,29-31,34,46, 60,61,70,76,79,81)

# 370-SUB-11 Starter Assembly & Blower Housing

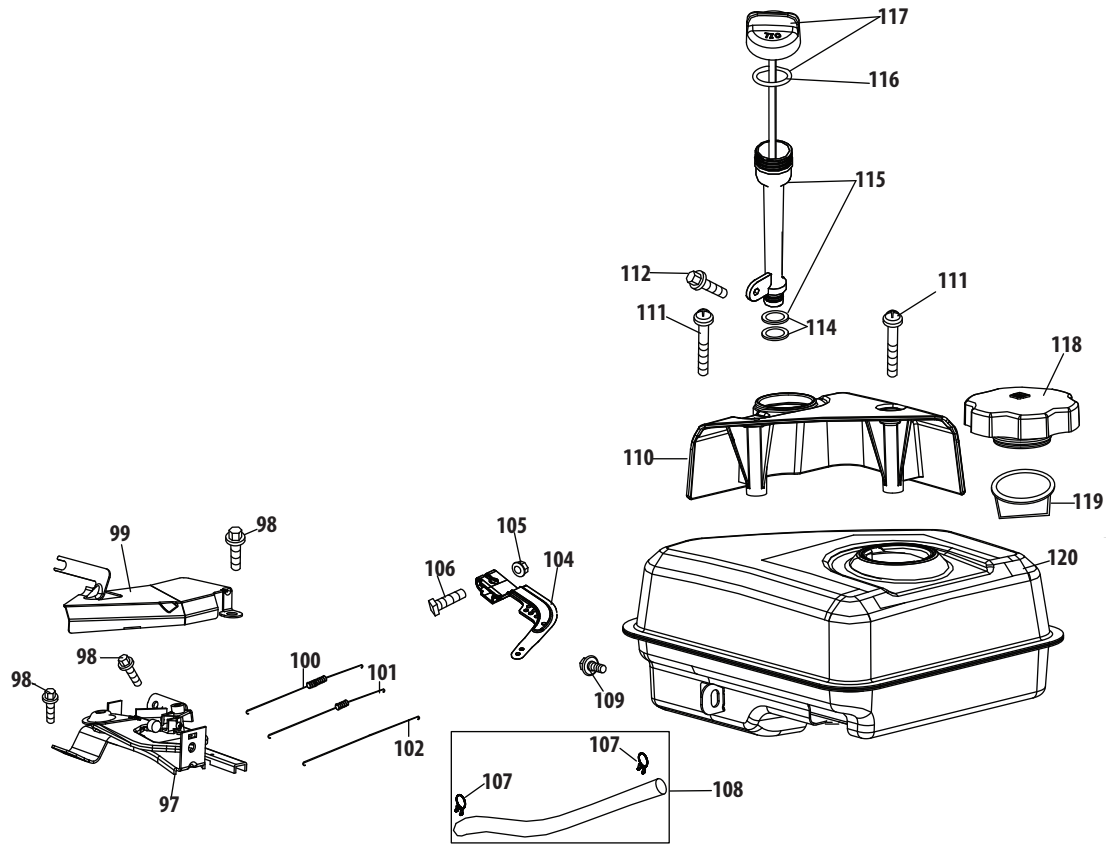


Ref.	Part Number	Description
82	951-10646	Ignition Coil Assembly
83	951-11110	Air Flow Shield
84	710-04940	Bolt M6×10
85	710-04919	Bolt M6×25
86	951-12050	Coil Assy.,Charge
87	951-12051	Flywheel
88	951-10909	Fan,Cooling
89	951-10911	Pulley,Starter
90	712-04209	Nut,Special,M14×1.5
91	710-04915	Bolt M6×12
92	731-05696	Recoil Starter Handle
93	951-10663A	Blower Housing
94	736-04455	Gasket 6

Ref.	Part Number	Description
95	710-04974	Bolt M6×10
96	951-10658	Recoil Starter
121	710-04914	Bolt M6×10
122	951-11114	Switch Housing Mounting Bracket
123	712-04212	Nut,M6
124	710-04965	Bolt M4×55
125	710-04935	Bolt M4×60
126	710-05182	Bolt M6×32
127	715-04088	Dowel Pin 8×8
128	951-10645A	Startup Electromotor
129	710-04979	Bolt M6×18
130	951-11109	Blower Housing Shield
131	951-11680	Flexible Clamp



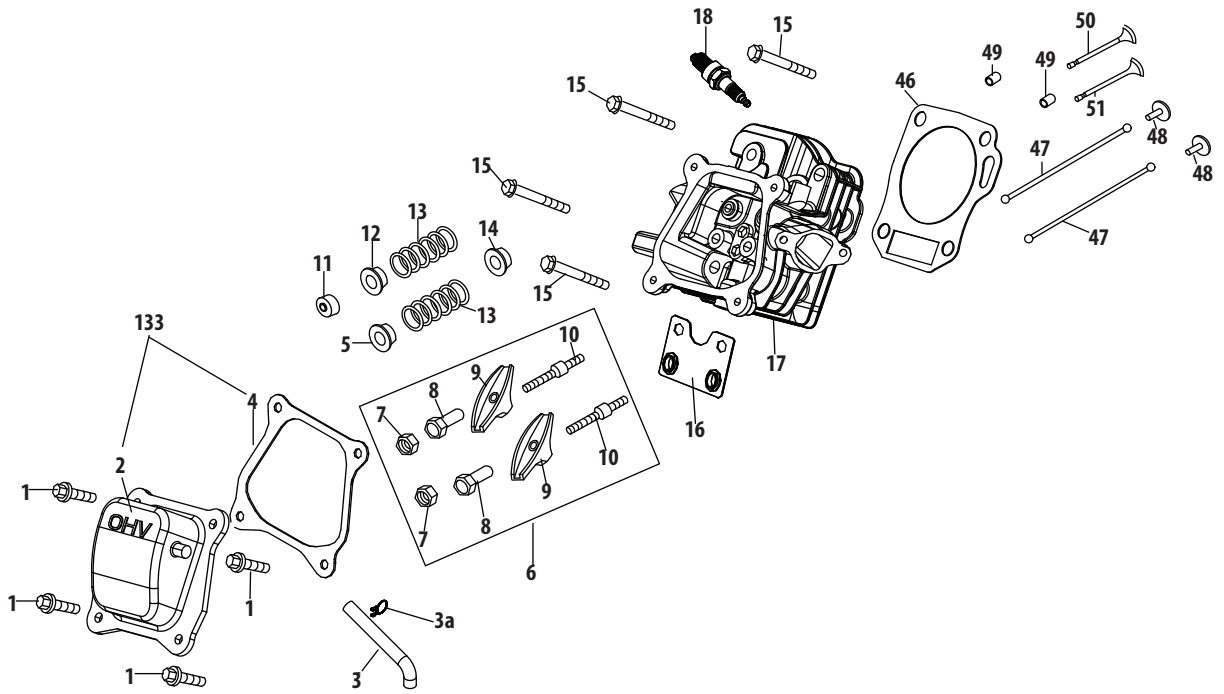
## 370-SUB-11 Fuel Tank & Mounting



Ref.	Part Number	Description
97	951-10758	Primer Bracket
98	710-04928	Bolt M6x12
99	951-11108	Governor System Shield
100	951-11935	Governor Spring
101	951-10664	Throttle Linkage Spring
102	951-10665	Throttle Linkage
104	951-11106	Governor Arm
105	712-04212	Nut M6
106	710-04908	Governor Arm Bolt
107	951-11700	Fuel Hose Clamp
108	951-10650	Fuel Hose
109	710-04915	Bolt M6x12
110	951-10662	Dipstick Decoration Cover
111	710-04905	Bolt

Ref.	Part Number	Description
112	710-04915	Bolt M6x12
114	951-11381	Oil Fill Tube O-Ring
115	951-11913	Oil Fill Tube
116	951-11904	Oil Fill Tube O-Ring
117	951-12482	Dipstick Assembly
118	951-10649A	Fuel Cap Assembly
119	951-11933	Fuel Level Indicator
120	951-10653B	Fuel Tank Assembly
	777I22990	Label-Run/Choke
	777I22991	Label-Primer
	777I22992	Label-Electric Start
	777I23026	Label-Electric Start Warning
	777S33610	Label- Oil / Warning

# 370-SUB-11 Cylinder Head



Ref.	Part Number	Description
1	710-04968	Bolt M6x16
2	951-11054	Valve Cover
3	731-07059	Breather Hose
3a	726-04101	Breather Hose Clamp
4	951-11565	Valve Cover Gasket
5	951-12000	Retainer,In.Valve Spring
6	951-11892	Rocker Arm Assembly
7	751-11124	Nut,Pivot Locking
8	751-11123	Adjusting Nut ,Valve
9	951-11893	Rocker Arm
10	710-04902	Bolt,Pivot
11	951-12002	Adjuster,Exh Valve
12	951-12003	Retainer,Ex.Valve Spring
13	951-12004	Valve Spring
14	951-11894	Intake Valve Seal
15	710-04933	Bolt M8x55
16	951-11895	Push Rod Guide
17	951-10668A	Cylinder Head Assembly (Incl.4,5,7-14,16,17,21, 29,30,46,50,51)
18	951-10292	Spark Plug/F6Rtc
46	951-11572	Gasket,Cylinder Head
47	951-10648	Push Rod
48	951-11899	Tappet
49	715-04090	Dowel Pin 10x16
50	951-10647A	Exhaust Valve
51	951-10647A	Intake Valve
133	951-11063A	Valve Cover Kit
	952Z370-SUB-11	Complete Engine
	951-10661B	Gasket Kit - External (Incl.4,21,29-31,34,79)
	951-11059A	Gasket Kit - Complete (Incl.4,21,29-31,34,46, 60,61,70,76,79,81)



To order replacement parts, call the Customer Dealer Referral Line at 1-877-282-8684  
or visit [www.cubcadet.com](http://www.cubcadet.com) to find the nearest Cub Cadet dealer in your area.

---

**CUB CADET LLC, P.O. BOX 361131 CLEVELAND, OHIO 44136-0019**

---