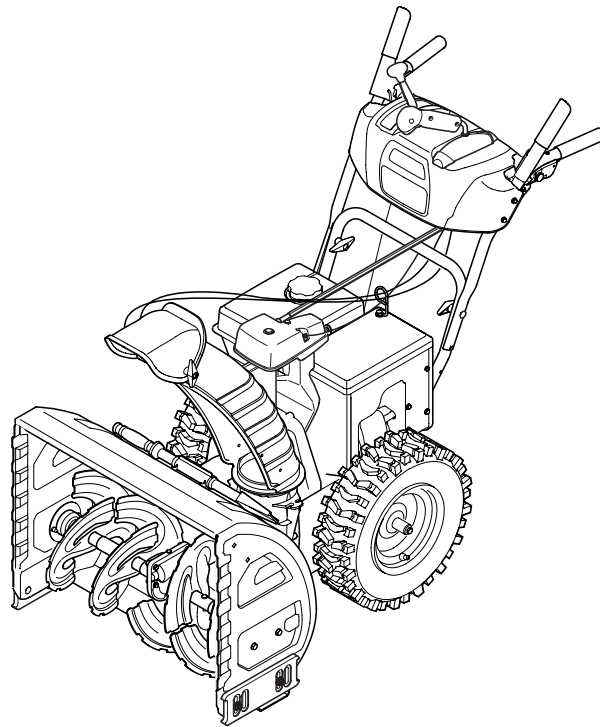

Cub Cadet.

ILLUSTRATED PARTS MANUAL



600 Series Snow Throwers — 524 WE

CUB CADET LLC, P.O. BOX 361131 CLEVELAND, OHIO 44136-0019

To The Owner

Thank you for purchasing a Cub Cadet Snow Thrower. It was carefully engineered to provide excellent performance when properly operated and maintained.

All information in this manual is relative to the most recent product information available at the time of printing. Please be aware that this Illustrated Part's Manual may cover a range of product specifications for various models.

Components listed and/or illustrated in this manual may not be applicable to all models. We reserve the right to change product specifications, designs and equipment without notice and without incurring obligation.

Throughout this manual, all references to *right* (RH) and *left* (LH) are observed from the operating position.

Table of Contents

<i>Augers</i>	10	<i>Drive System</i>	10
<i>Axle</i>	10	<i>Engine, 370-SUB</i>	12
<i>Belts</i>	10	<i>Frame</i>	10
<i>Cable, Auger</i>	6	<i>Friction Wheel</i>	10
<i>Chute, Extended</i>	8	<i>Gear Box</i>	6
<i>Cleanout Tool, Chute</i>	6	<i>Shear Pins</i>	6
<i>Controls, 4-way Chute</i>	8	<i>Skid Shoes</i>	6
<i>Cord, Extension</i>	6	<i>Wheels</i>	10
<i>Dash Panel, S/T-Style</i>	4		

Record Product Information

To ease in ordering replacement parts, please locate the model plate on the equipment and record the information in the provided area to the right. You can locate the model plate by looking beneath the seat.

MODEL NUMBER

--	--	--	--	--	--	--	--	--	--	--	--

SERIAL NUMBER

--	--	--	--	--	--	--	--	--	--	--	--

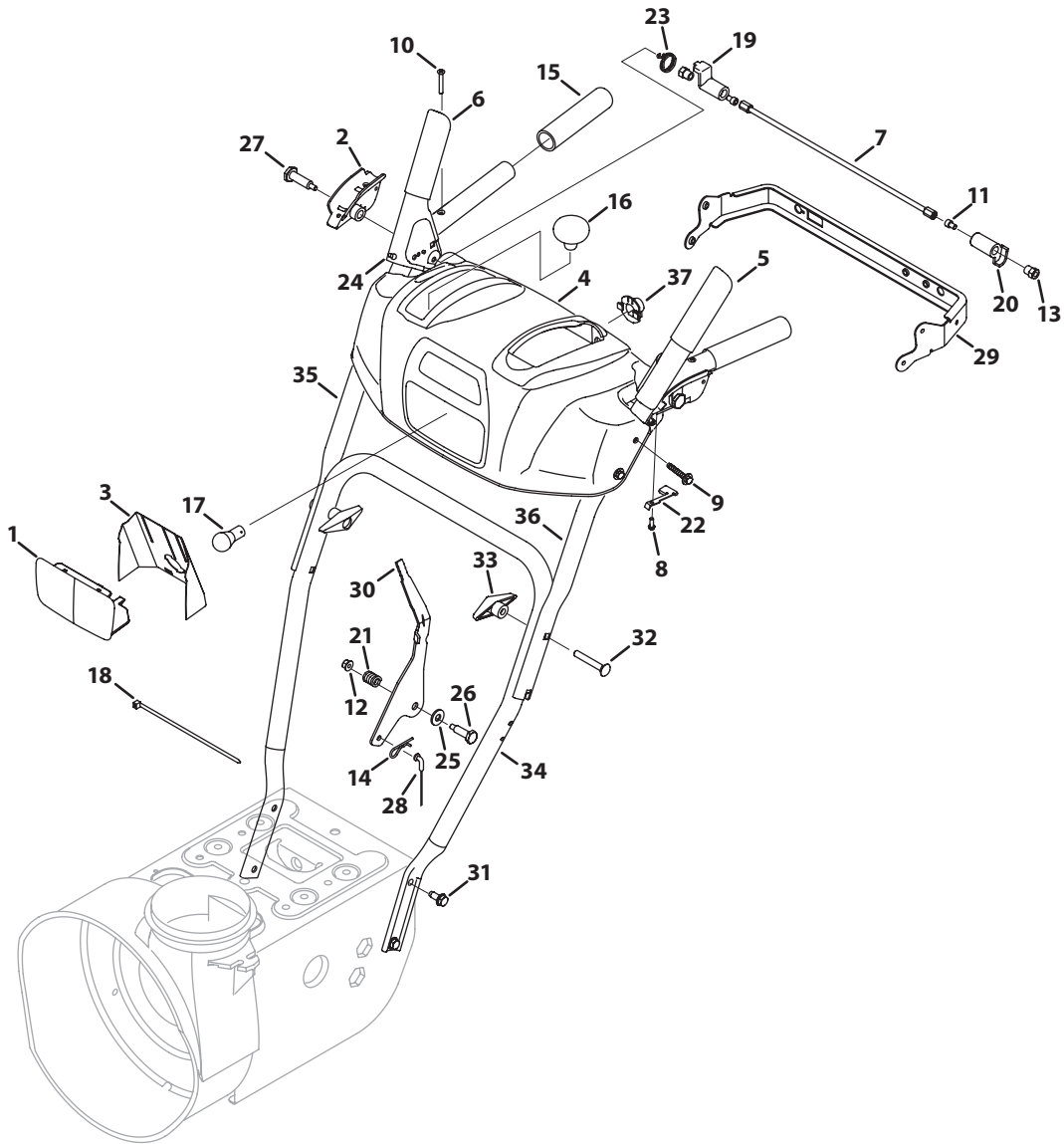
Painted Parts

When ordering painted service parts, a four digit color suffix must be added to the part number (e.g. 783-XXXXX). Please refer to the table below for current color codes:

0637	Black	0685	Blue (Cub Cadet)
4021	Yellow (Cub Cadet)	0691	Black Jack (Cub Cadet Commercial)
0499	Beige (Cub Cadet)		

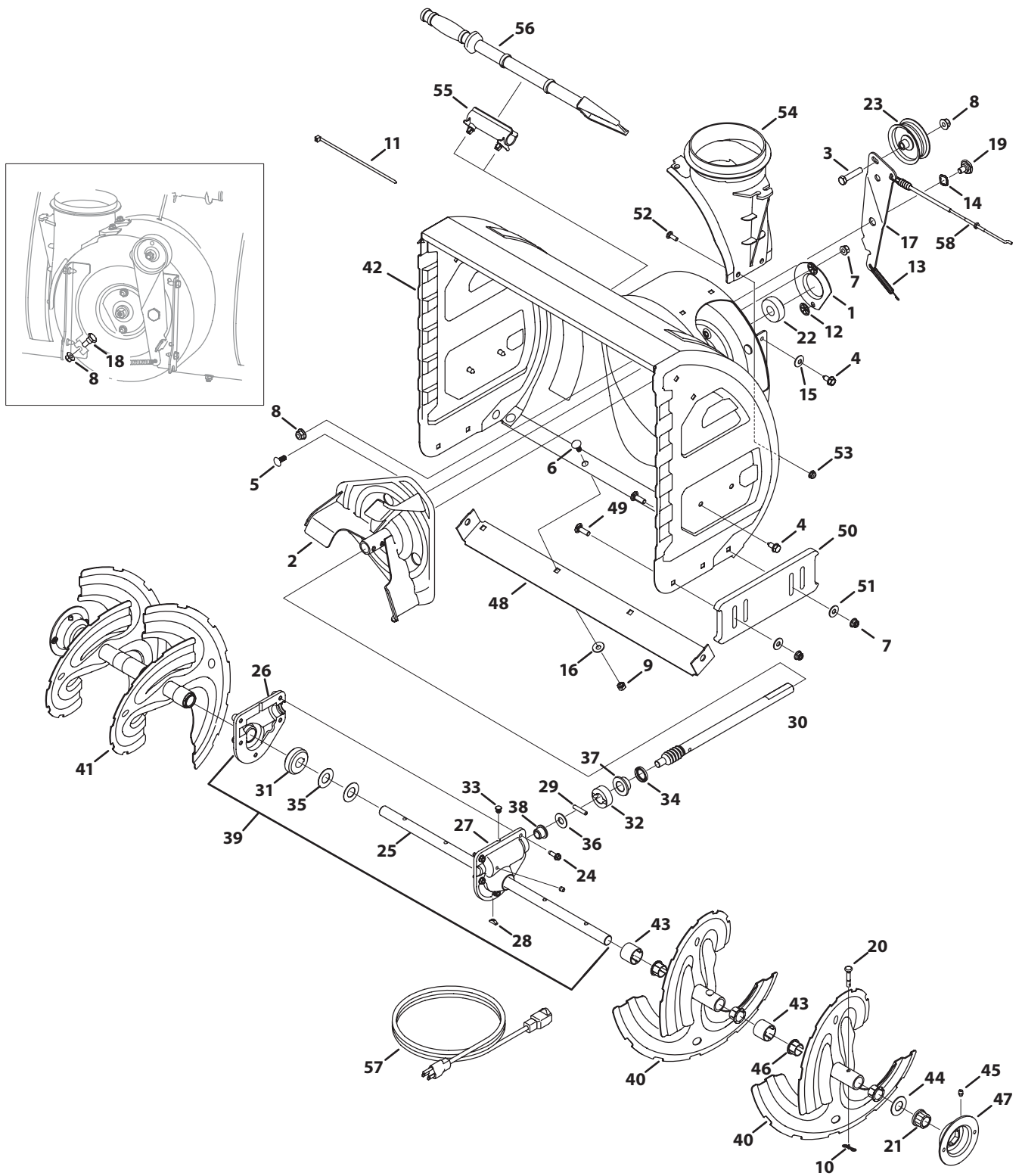
Notes

S/T-Style Panel



Ref.	Part Number	Description
1	731-05324	Lens
2	631-04134B	Handle Clutch Lock - RH
—	631-04133A	Handle Clutch Lock - LH
3	777X41804	Lens Reflector Label
4	931-04187A	T-Style Panel Ass'y, (inc. Ref. 1 & 3)
5	684-04105B	Handle Engagement Assembly LH
6	684-04106B	Handle Engagement Assembly RH
7	684-04250	Pivot Rod
8	710-04326	Screw, Plastite, 8-16 x .50
9	710-04586	Screw, 1/4-20 x 1.625
10	710-1233	Screw, #10-24 x 1.375
11	710-3069	Screw, Socket, 1/4-20 x .50
12	712-04064	Flange Lock Nut, 1/4-20
13	712-04081A	Shoulder Nut, 1/4-20
14	914-0145	Click Pin
15	720-0274	Handle Grip
16	720-04039	Shift Knob
17	725-1629	Lamp
18	926-0154	Cable Tie
19	731-04894D	Lock Plate
20	731-04896B	Clutch Lock Cam
21	732-0193	Compression Spring
22	732-04219C	Clutch Lock Spring
23	732-04238	Torsion Spring
24	935-0199A	Rubber Bumper
25	936-0267	Flat Washer, .385 x .87 x .06
26	738-04125	Shoulder Screw, .374 x 1.05
27	738-04348	Shoulder Screw, 1/4-20 x 1.345
28	946-04396A	Speed Selector Cable
29	790-00248B-0637	Panel Bracket
30	790-00311A-0637	Shift Lever
31	710-04484	Screw, 5/16-18 x .750
32	710-0572	Carriage Screw, 5/16-18 x 2.25
33	720-04072A	Wing Knob
34	749-04138A-0637	Lower Handle
35	749-04190A-0637	Upper Handle RH
36	749-04191A-0637	Upper Handle LH
37	925-1649	Light Socket
—	925-04137	Wire Harness (Not Shown)

Auger & Auger Housing

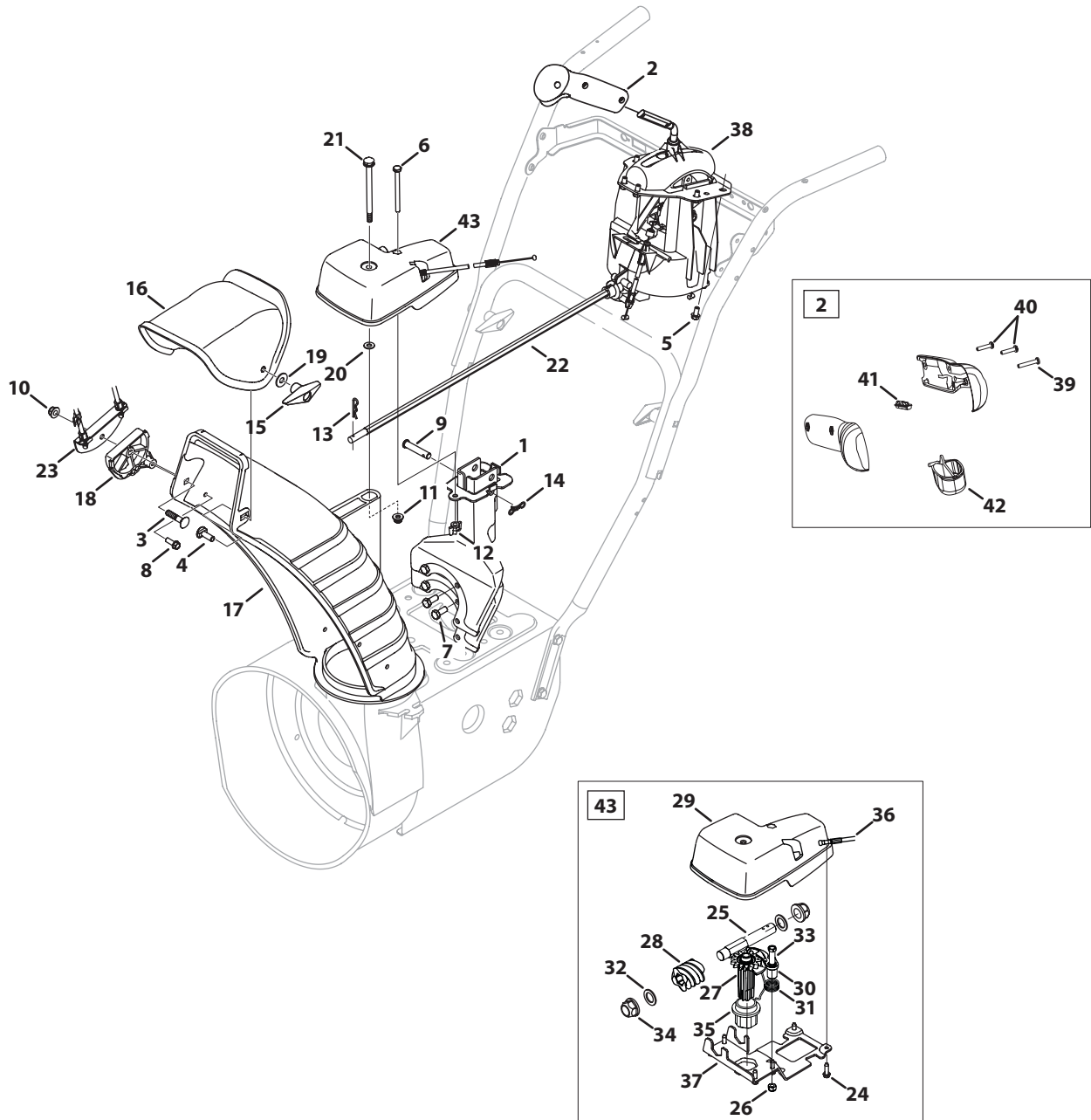


Auger & Auger Housing

Ref.	Part Number	Description
1	790-00075	Bearing Housing, 1.85 ID
2	684-04057A	Impeller Assembly, 12" Dia.
3	710-0347	Hex Screw, 3/8-16 x 1.75
4	710-04484	Taptite Screw, 5/16-18 x .750
5	710-0451	Carriage Bolt, 5/16-18 x .75, Grade 5
6	710-04525	Carriage Bolt, 5/16-18 x .750, Steel
7	712-04063	Flange Lock Nut, 5/16-18
8	712-04065	Flange Lock Nut, 3/8-16
9	712-04103	Hex Nut, 5/16-18
10	714-04040	Bow-Tie Cotter Pin
11	725-0157	Cable Tie
12	926-04012	Push-On Nut, .25 Dia.
13	732-04460	Extension Spring, .38 OD x 4.59
14	736-0174	Wave Washer, .625 x .885 x .0175
15	736-0242	Washer, Bell, .340 x .872 x .060
16	736-04216	Bell Washer, .340 x .872 x .06, Steel
17	790-00080A	Auger Idler Bracket
18	738-0143	Shoulder Bolt, 3/8-16 x .496 x .336
19	938-0281	Shoulder Screw, 3/8-16 x .625 x .17
20	738-04124A	Shear Pin, .25 x 1.50
21	941-0245	Hex Flange Bearing x .75 ID
22	941-0309	Flange Ball Bearing, .75 ID x 1.85 OD
23	756-04224	Flat Pulley, 2.75 OD
24	710-0642	Taptite Screw, 1/4-20 x .750
25	711-04285	Auger Axle
26	918-0123A	Housing Assembly, RH
27	918-0418A	Housing Assembly, LH
28	914-0161	Hi-Pro Key, 3/16 x 5/8
29	715-04021	Dowel Pin, .25OD x 1.25

Ref.	Part Number	Description
30	917-04126	Worm Shaft, .75 OD
31	917-0528A	Worm Gear, 20T
32	718-04071	Thrust Collar, .756 ID x .600
33	721-0325	Plug, 1/4 x .437
34	721-0327	Oil Seal, .75 x 1.131 x .188
35	936-0351	Flat Washer, .760 ID x 1.50 OD
36	736-3084	Flat Washer, .51 x 1.12 x .06
37	741-0662	Flange Bearing, .75 ID x 1.0 OD x .59
38	741-0663	Flange Bearing, .50 ID x .75 OD x .59
39	918-04191B	Gear Box; includes Ref. 24 - 38
40	684-04107	Spiral Assembly (Left)
41	684-04108	Spiral Assembly (Right)
42	684-04259	Auger Housing, 24" Cub
43	731-04870	Spacer, 1.25OD x .75ID x 1.00
44	736-0188	Flat washer, .76 x 1.49 x .06
45	937-3000	Drive Lube Fitting, 3/16
46	741-0493A	Flange Bushing, .800 ID x .910 OD
47	790-00138A	Bearing Housing
48	790-00120	Shave Plate, 24"
49	710-0276	Screw, Carriage, 5/16-18 x 1.00
50	731-06931	Deluxe Shoe
51	936-0159	Washer, Flat, .349 x .879 x .063
52	710-0703	Carriage Screw, 1/4-20 x .75
53	712-04064	Flange Lock Nut, 1/4-20
54	731-07525	Chute Adaptor, 5" Dia.
55	731-2635	Cleanout Tool Mount
56	931-2643	Cleanout Tool
57	929-0071A	Extension Cord
58	746-04230	Auger Drive Cable

4-Way Extended Chute

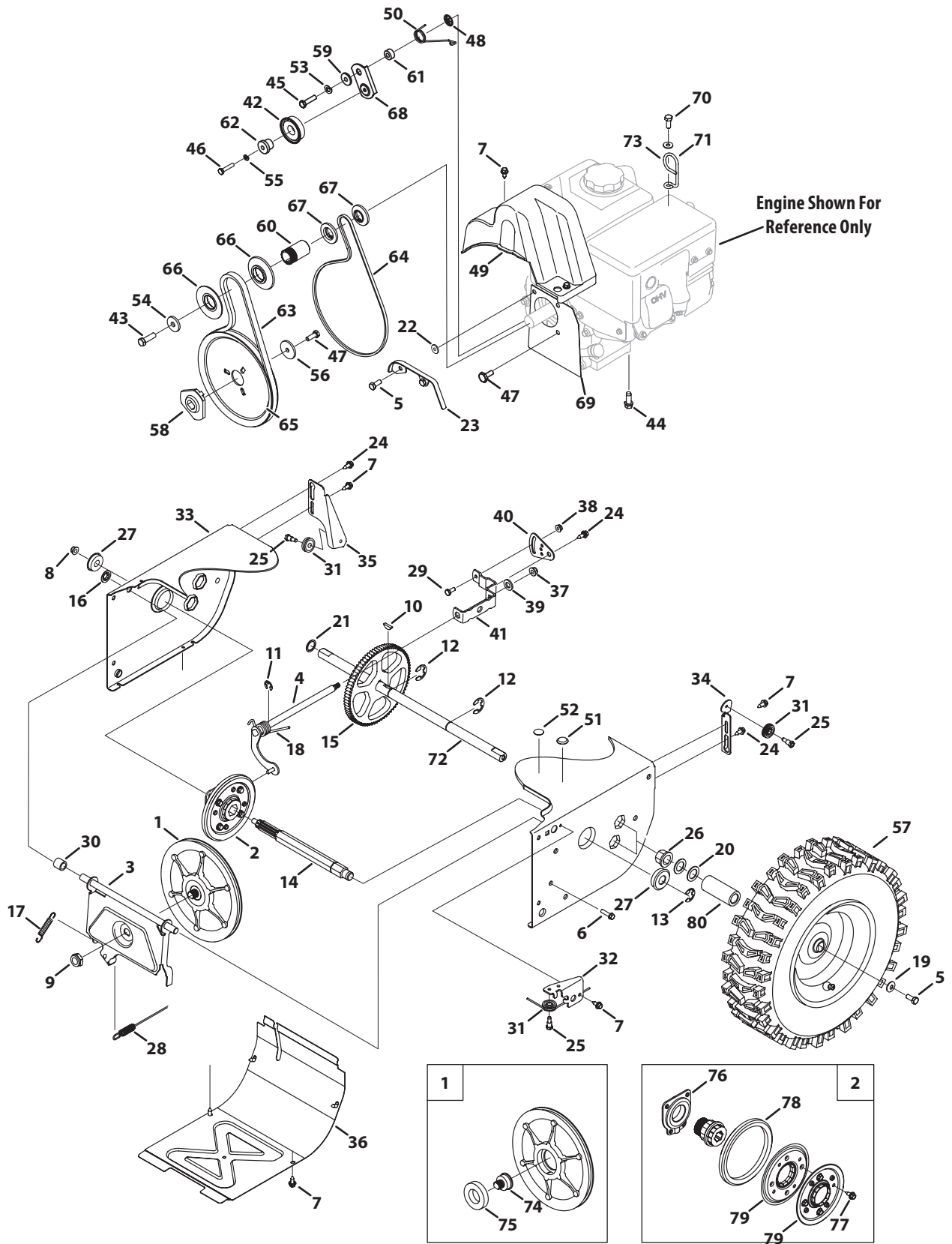


4-Way Extended Chute

Ref.	Part Number	Description
1	684-04311A	Chute Support Bracket
2	753-06151	Chute Control, 4-Way
3	710-0262	Bolt, Carriage, 5/16-18 x 1.50
4	710-04071	Bolt, Carrier, 5/16-18 x 1.00
5	710-04187	Screw, Hi-Lo, 1/4-15 x 0.50
6	710-04370	Hex Head Screw, 1/4-20 x 3.00
7	710-0627	Hex Head Screw, 5/16-24 x .750
8	710-0895	Screw, Hi-Lo, 1/4-15 x 0.750
9	711-04469A	Clevis Pin, 3/8 x 1.87
10	712-04063	Nut, Flange Lock, 5/16-18
11	712-04064	Nut, Flange Lock, 1/4-20
12	712-3087	Wing Nut, 1/4-20
13	914-0101	Internal Cotter Pin
14	714-04040	Bow-Tie Cotter Pin
15	720-04072A	Star Knob, 5/16-18
16	731-04427A	Chute, Upper
17	731-06440A	Chute, Lower
18	731-06451	Cable Guide, Chute Tilt
19	936-0159	Washer, Flat, .349 x .879
20	736-04446	Washer, Flat, .25 x .630
21	738-04367	Screw, Shoulder, .312 x 3.5 x 1/4-20
22	747-05116	Chute Rod, 3/8 Hex

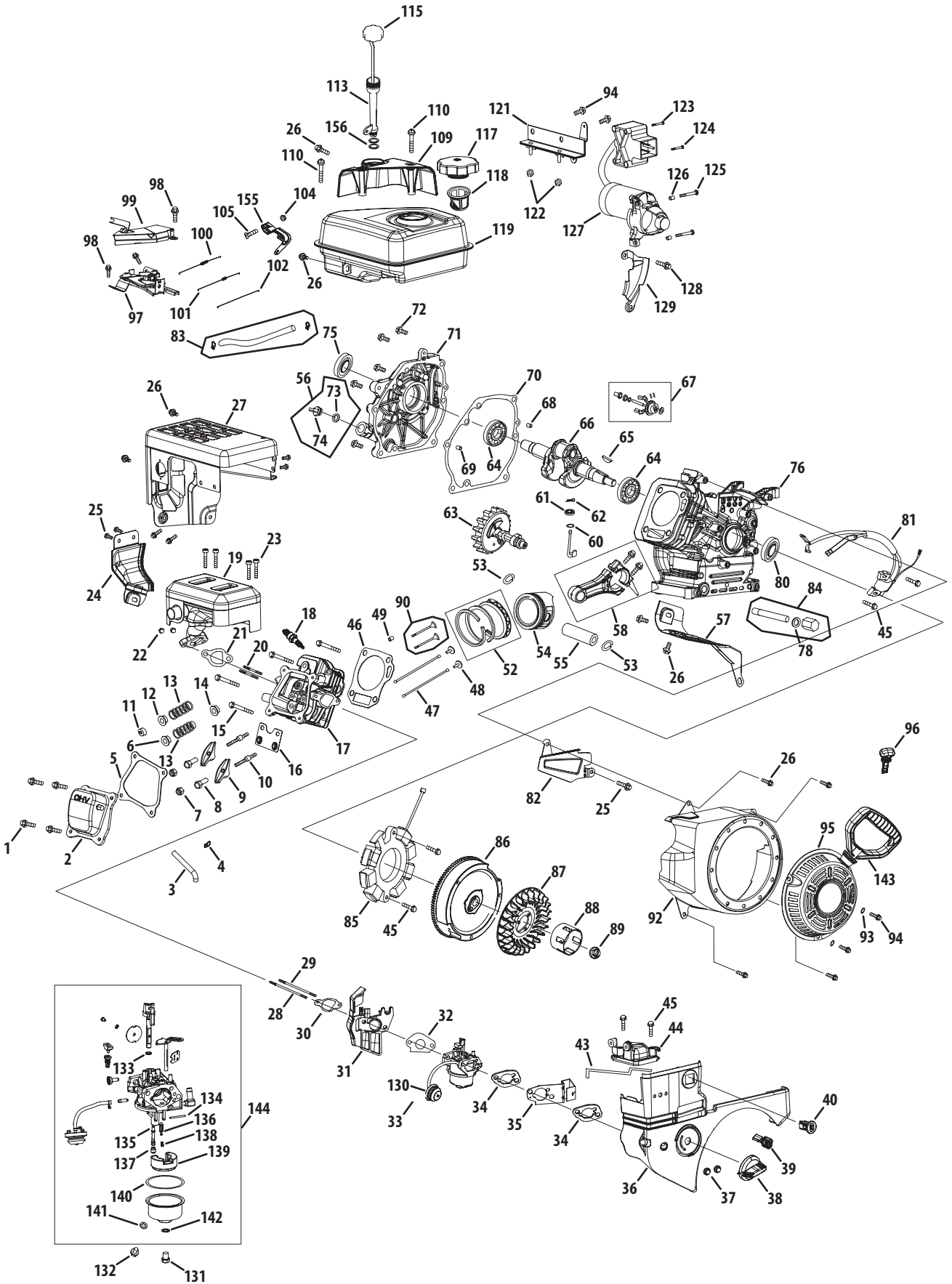
Ref.	Part Number	Description
23	784-5594	Cable Bracket
24	710-04373A	Screw, 12-16 x .75
25	711-05186	Hex Shaft
26	712-0896	Hexlock Nut, 1/4-28
27	717-04667	Gear, 14 T
28	717-04672	Worm
29	731-06906	Gear Cover
30	731-06943	Pawl Lock
31	732-04638B	Torsion Spring, .721 ID x .474
32	736-0290	Washer, Flat, .625 x 1.0 x .067
33	738-04391	Screw, Shoulder, .34 x .95 x 1/4-28
34	941-0225	Hex Bearing
35	741-04388	Flange Bearing
36	946-04619B	Cable Lock
37	790-00342A	Gear Bracket
38	984-04338	Chute Control, 4-Way
39	710-04353	Screw, #8 x 1.00
40	710-04879	Screw, 8-32 x .750
41	731-04893A	Joystick Plug
42	731-07031	Joystick Trigger
43	918-04801A	Chute Rotation Gearbox

Drive System



Ref.	Part Number	Description	Ref.	Part Number	Description
1	656-04055	Disc Assembly, Friction Wheel	42	684-04169	Idler Pulley Assembly
2	684-04153	Friction Wheel Assembly, 5.5 OD	43	710-0191	Hex Screw, 3/8-24 x 1.25
3	684-04154B	Friction Wheel Support Bracket	44	710-0654A	Sems Screw, 3/8-16 x 1.00
4	684-04156A	Rod Shift Assembly	45	710-0672	Hex Screw, 5/16-24 x 1.25
5	710-0627	Hex Head Screw, 5/16-24 x .750	46	710-0809	Hex Screw, 1/4-20 x 1.25
6	710-0788	Taptite Screw, 1/4-20 x 1.000	47	738-04439	Shoulder Screw, 5/16-24 x .5
7	710-1652	Taptite Screw, 1/4-20 x .625	48	926-04012	Push-on Nut, .25 Dia.
8	712-04065	Flange Lock Nut, 3/8-16	49	731-05353	Belt Cover
9	712-0417A	Flange Nut, 5/8-18	50	732-04308A	Torsion Spring, .850 ID x .333
10	914-0126	Hi-pro Key, 3/16 x 3/4 Dia.	51	735-04099	Plug, 3/8 ID
11	916-0104	E-Ring	52	735-04100	Plug, 1/2 ID
12	716-0136	Retaining E-Ring, .875 Dia.	53	936-0119	Lock Washer, 5/16
13	916-0231	E-Ring, .750 Dia.	54	736-0247	Flat Washer, .406 x 1.25 x .157
14	917-04209A	Hex Shaft, 7-Tooth	55	936-0329	Washer, Lock, 1/4
15	917-04230	Gear, 80-Tooth	56	736-0505	Flat Washer, .34 x 1.50 x .150
16	726-0221	Speed Nut, .500	57	634-04147A-0931	X-Trac Wheel, 15 x 5 x 6, LH
17	932-0264	Extension Spring		634-04148A-0931	X-Trac Wheel, 15 x 5 x 6, RH
18	732-04311	Torsion Spring, .750 x .968	58	748-04053A	Adapter Pulley, .75 Dia.
19	736-0242	Bell Washer, .340 x .872 x .060	59	748-04112B	Shoulder Spacer, .3175 x .5 x .0975
20	936-0287	Flat Washer, .793 x 1.24 x .060	60	750-04303	Spacer, .875 ID x 1.185 OD
21	736-04161	Flat Washer, .75 x 1.00 x .060	61	750-04477A	Spacer, .340 x .750 x .330
22	936-0140	Washer, Flat, .385 x .62 x .063	62	750-04571	Shoulder Space, .260 x .785 x .538
23	731-07101	Belt Cover	63	954-04050	Auger Drive Belt
24	738-04184A	Shoulder Screw, .368 x .113, 1/4-20	64	954-04260	Wheel Drive Belt
25	738-0924A	Shoulder Screw, 1/4-28, .340 x .355	65	756-04109	Auger Drive Pulley, 8.1 x .5
26	941-0245	Hex Flange Bearing	66	756-04113	Pulley Half, 2.600 OD
27	941-0563	Ball Bearing, 17 x 40 x 12	67	756-04252	Pulley Half, 3/8 x 1.716 OD
28	746-04229	Wheel Clutch Cable, 44.95"	68	790-00208C	Wheel Drive Idler Bracket
29	710-0751	Hex Head Screw, 1/4-20 x .620	69	790-00289A	Cover Plate
30	748-0190	Spacer, .508 ID x .75 OD x .68	70	710-04022	Hex Head Screw, 1.25 x 20
31	756-0625	Cable Roller	71	936-0264	Washer, Flat, .330 x .630 x .0635
32	790-00096	Auger Cable Front Guide Bracket	72	938-04168	Axle, .75 x 22
33	790-00180A	Frame	73	732-0705	Cable Guide
34	790-00206A	Auger Cable Guide Bracket	74	738-04164A	Friction Disc Bearing Pin
35	790-00207B	Drive Cable Guide Bracket	75	741-04098	Ball Bearing, 30 x 55 x 13
36	790-00316	Frame Cover	76	618-0063A	Bearing Assembly
37	712-04063	Flange Lock Nut, 5/16-18	77	710-0896	Screw, 1/4-14 x .625
38	712-04064	Flange Lock Nut, 1/4-20	78	935-04054	Friction Wheel Rubber
39	936-3015	Washer, Flat, .469 x .875 x .105	79	790-00174	Friction Wheel Plate
40	790-00217A	Speed Selector Pivot Bracket	80	731-04873	Spacer, 1.25 x .75 x 3.0
41	790-00218A	Speed Selector Shift Bracket			

208 cc 370-SUB Engine



208 cc 370-SUB Engine

Ref. No.	Part No.	Description	Ref. No.	Part No.	Description
1	951-11012	Bolt	72	710-04932	Bolt
2	951-11054	Valve Cover	75	951-11368	Oil Seal
3	731-07059	Breather Hose	78	736-04440	Washer
4	726-04101	Hose Clamp	80	951-11370	Oil Seal
7	751-11124	Pivot Locking Nut	81	951-10646	Ignition Coil
8	751-11123	Valve Adjusting Nut	82	951-11110	Air Flow Shield
10	710-04902	Pivot Bolt	83	951-10650	Fuel Line Kit
15	710-04933	Bolt	84	951-10641	Oil Drain Assembly
18	951-10292	Spark Plug	85	951-10719	Stator
19	951-11282	Muffler Assembly	86	951-10805	Flywheel
20	710-05001	Stud	87	951-10909	Cooling Fan
21	951-11289	Muffler Gasket	88	951-10911	Starter Cup
22	712-04214	Nut	89	712-04209	Nut
23	710-05002	Bolt	90	951-10647	Valve Kit
24	951-11111	Exhaust Pipe Shield	92	951-10663A	Blower Housing
25	710-04940	Bolt	93	736-04455	Washer
26	710-04915	Bolt	94	710-04914	Bolt
27	951-10642A	Muffler Shroud	95	951-10658	Recoil Starter Assembly
28	710-04939	Stud, M6 x117	96	731-05632	Key
29	710-04910	Stud, M6 x 105	97	951-10758	Throttle Control Assembly
33	951-10638	Carburetor Assembly	98	710-04928	Bolt
35	951-11112	Choke Control Bracket	99	951-11108	Governor Shield
36	951-10634	Engine Shroud	100	951-10654	Governor Spring
37	712-04213	Nut	101	951-10664	Throttle Return Spring
38	951-11284	Choke Knob	102	951-10665	Governor Rod
39	951-10757	Throttle Control Knob	104	712-04216	Nut
40	951-10637	Ignition Switch	105	710-04929	Bolt
43	951-10640	Choke Push Rod	109	951-10662	Engine/Dipstick Cover
44	951-10635	Heater Box	110	710-04905	Bolt
45	710-04919	Bolt	113	951-10656	Dipstick Tube
47	951-10648	Push Rod Kit	115	951-10655	Dipstick
49	715-04090	Dowel Pin	117	951-10649	Fuel Cap Assembly
56	951-11283	Oil Fill Plug Assembly	118	951-10652	Fuel Filter
57	951-11113	Air Shield	119	951-10653A	Fuel Tank
59	951-11356	Governor Arm Shaft	121	951-11114	Switch Housing Mounting Bracket
60	736-04461	Washer	122	712-04212	Nut
62	714-04078	Cotter Pin	123	710-04934	Bolt, M4 x 55
64	751-11369	Radial Ball Bearing	124	710-04935	Bolt, M4 x 60
65	951-10307	Flywheel Key	125	710-04943	Bolt
68	715-04092	Dowel Pin, 7 x 14	126	715-04088	Dowel Pin
69	715-04089	Dowel Pin, 9 x 14	127	951-10645A	Electric Starter
70	951-11371	Crankcase Cover Gasket	128	710-05003	Bolt

208 cc 370-SUB Engine

Ref. No.	Part No.	Description
129	951-11109	Blower Housing Shield
130	951-10639	Primer
131	710-04945	Bolt
132	710-04938	Drain Bolt
143	731-05696	Starter Handle
155	951-11106	Governor Arm Bracket
156	951-11380	O-Ring
—	951-11176	Starter Pinion Shaft (Not Shown)
—	951-10651	Fuel Tank Nipple (Not Shown)
—	952Z370-SUB	Engine, Complete
20	951-10657	Muffler Stud Assembly
20	710-05001	Stud
33	951-10638	Carburetor Assembly
130	951-10639	Primer
56	951-11283	Oil Fill Plug Assembly
73	—	O-Ring
74	—	Oil Filler Plug
144	951-11021	Carburetor Kit, Major
133	—	Gasket, Throttle Plate
134	—	Float Pin
135	—	Emulsion Tube
136	—	Needle Valve
137	—	Main Jet
138	—	Needle Valve Spring
139	—	Float
140	—	Fuel Bowl Gasket
141	—	Fuel Drain Plug Gasket
142	—	Fuel Bowl Gasket
—	951-10661B	Gasket Kit, External
5	—	Head Cover Gasket
21	951-11289	Muffler Gasket
30	—	Carburetor Insulator Gasket
31	—	Carburetor Insulator Plate
32	—	Carburetor Gasket
34	—	Carburetor Gasket Plate
78	751-04440	Washer
—	951-11247	Crankshaft Kit
64	951-11369	Radial Ball Bearing
65	951-10307	Flywheel Key
66	—	Crankshaft
75	951-11368	Oil Seal
80	951-11370	Oil Seal

Ref. No.	Part No.	Description
—	951-11249	Crankcase Kit
61	—	Governor Seal
64	951-11369	Radial Ball Bearing
70	951-11371	Crankcase Gasket
76	—	Crankcase
80	951-11370	Oil Seal
—	951-11060A	Short Block Assembly
5	—	Head Cover Gasket
21	951-11289	Muffler Gasket
30	—	Carburetor Insulator Gasket
31	—	Carburetor Insulator Plate
46	—	Cylinder Head Gasket
48	—	Tappet
49	715-04090	Dowel Pin
52	—	Piston Ring Set
53	—	Piston Pin Snap Ring
54	—	Piston
55	—	Piston Pin
58	—	Connecting Rod Assembly
59	951-11356	Governor Arm Shaft
60	736-04461	Washer
61	—	Governor Seal
62	714-04078	Cotter Pin
63	—	Camshaft Assembly
64	951-11369	Radial Ball Bearing
65	951-10307	Flywheel Key
66	—	Crankshaft Assembly
67	—	Governor Gear/Shaft Assembly
68	715-04092	Dowel Pin, 7 x 14
69	715-04089	Dowel Pin, 9 x 14
70	951-11371	Crankcase Cover Gasket
71	—	Case Cover
72	710-04932	Bolt
73	—	O-Ring
74	—	Oil Fill Plug
75	951-11368	Oil Seal
76	—	Crankcase
77	—	Oil Drain Pipe
78	736-04440	Washer
79	—	Oil Drain Plug Washer
80	951-11370	Oil Seal

Ref. No.	Part No.	Description
—	951-10668A	Cylinder Head Assembly
5	—	Head Cover Gasket
6	—	Intake Valve Spring Seat
7	751-11124	Pivot Locking Nut
8	751-11123	Valve Adjusting Nut
9	—	Rocker Arm
10	710-04902	Pivot Bolt
11	—	Exhaust Valve Adjuster
12	—	Exhaust Valve Spring Seat
13	—	Valve Spring
14	—	Intake Valve Seal
16	—	Push Rod Guide Plate
17	—	Cylinder Head - Complete
21	951-11289	Muffler Gasket
30	—	Carburetor Insulator Gasket
31	—	Carburetor Insulator Plate
46	—	Cylinder Head Gasket
90	951-10647	Valve Kit
—	951-11063	Valve Cover Kit
2	951-11054	Valve Cover
5	—	Head Cover Gasket

Ref. No.	Part No.	Description
—	951-11059A	Gasket Kit, Complete
5	—	Head Cover Gasket
21	951-11289	Muffler Gasket
30	—	Carburetor Insulator Gasket
31	—	Carburetor Insulator Plate
32	—	Carburetor Gasket
34	—	Carburetor Gasket Plate
46	—	Cylinder Head Gasket
60	736-04461	Washer
61	—	Governor Seal
62	714-04078	Cotter Pin
70	951-11371	Crankcase Cover Gasket
75	951-11368	Oil Seal
78	736-04440	Washer
80	951-11370	Oil Seal
—	951-11246	Crankcase Cover Kit
64	951-11369	Radial Ball Bearing
70	951-11371	Crankcase Cover Gasket
71	—	Case Cover
72	—	Cover Bolts
73	—	O-Ring
74	—	Oil Fill Plug
75	951-11368	Oil Seal



To order replacement parts, call the Customer Dealer Referral Line at 1-877-282-8684
or visit www.cubcadet.com to find the nearest Cub Cadet dealer in your area.

CUB CADET LLC, P.O. BOX 361131 CLEVELAND, OHIO 44136-0019
