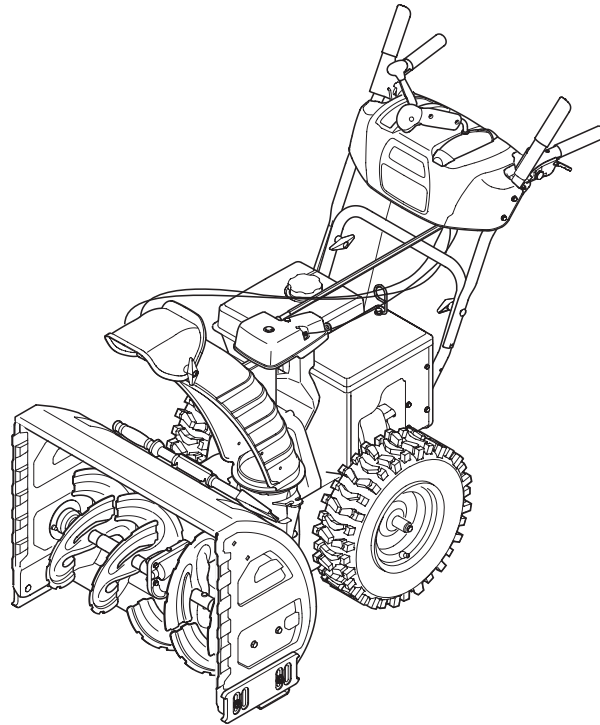

Cub Cadet.

ILLUSTRATED PARTS MANUAL



500 Series Snow Thrower — 524 SWE, 526 SWE, 528 SW/SWE

CUB CADET LLC, P.O. BOX 361131 CLEVELAND, OHIO 44136-0019

To The Owner

Thank You

Thank you for purchasing a Cub Cadet Snow Thrower. It was carefully engineered to provide excellent performance when properly operated and maintained.

All information in this manual is relative to the most recent product information available at the time of printing. Please be aware that this Illustrated Part's Manual may cover a range of product specifications for various models.

Components listed and/or illustrated in this manual may not be applicable to all models. We reserve the right to change product specifications, designs and equipment without notice and without incurring obligation.

Throughout this manual, all references to *right* (RH) and *left* (LH) are observed from the operating position.

Table of Contents

<i>T Style Handle, Frame & Discharge Chute</i>	4	<i>Engine Model ZS 370 SUB</i>	14
<i>Chute Control</i>	6	<i>Engine Model ZS 478 SU</i>	18
<i>Auger & Auger Housing</i>	8	<i>Engine Model ZS 483 SU</i>	22
<i>Drive System</i>	10		

Record Product Information

To ease in ordering replacement parts, please locate the model plate on the equipment and record the information in the provided area to the right. You can locate the model plate by standing at the operator's position and looking down at the rear of the deck.

MODEL NUMBER

--	--	--	--	--	--	--	--	--	--	--	--

SERIAL NUMBER

--	--	--	--	--	--	--	--	--	--	--	--

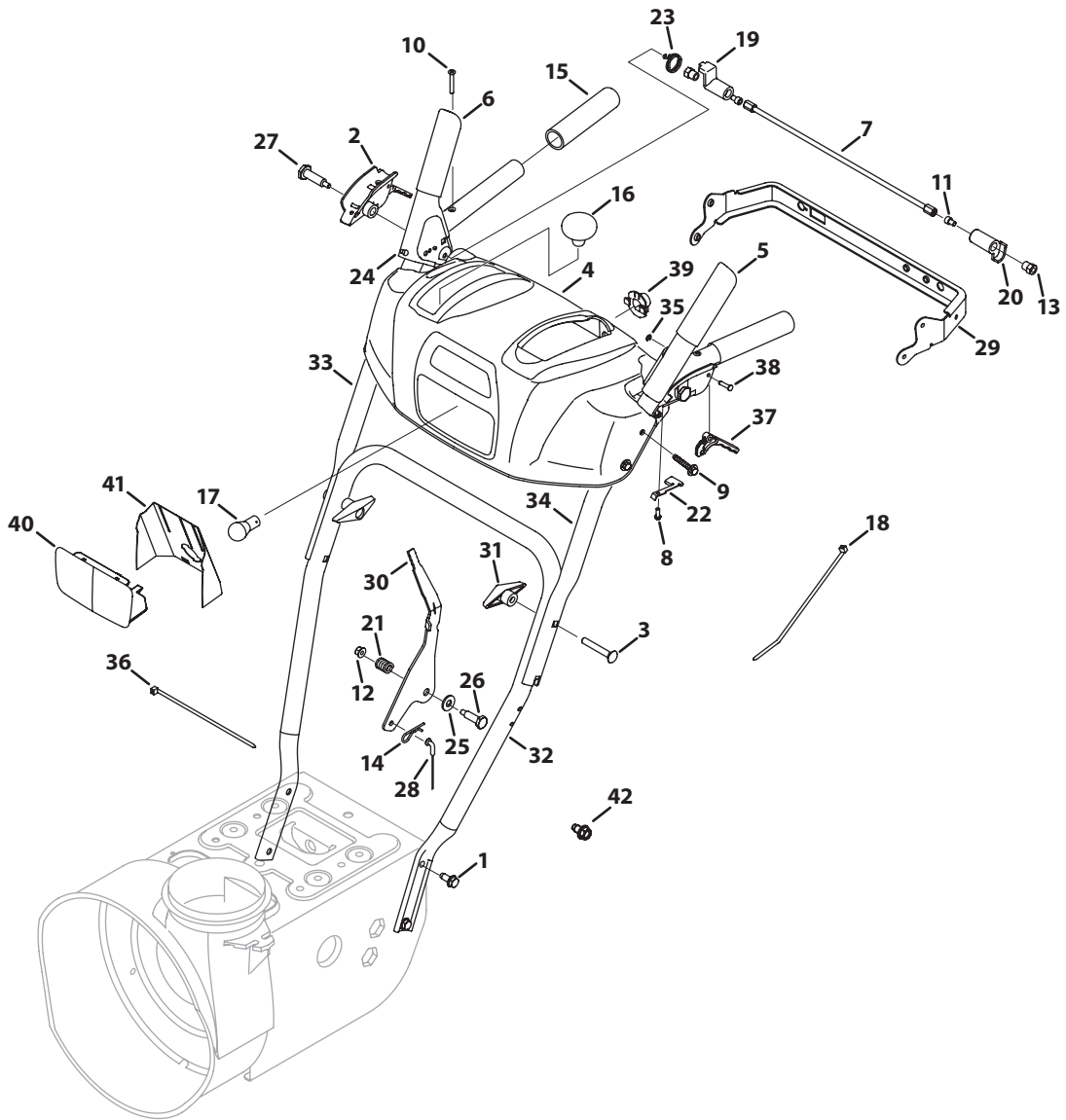
Painted Parts

When ordering painted service parts, a four digit color suffix must be added to the part number (e.g. 783-XXXX-0637). Please refer to the table below for current color codes:

0637	Black	0685	Blue (Cub Cadet)
4021	Yellow (Cub Cadet)	0691	Black Jack (Cub Cadet Commercial)
0499	Beige (Cub Cadet)		

This page left intentionally blank.

T-Style Handle, Frame & Discharge Chute

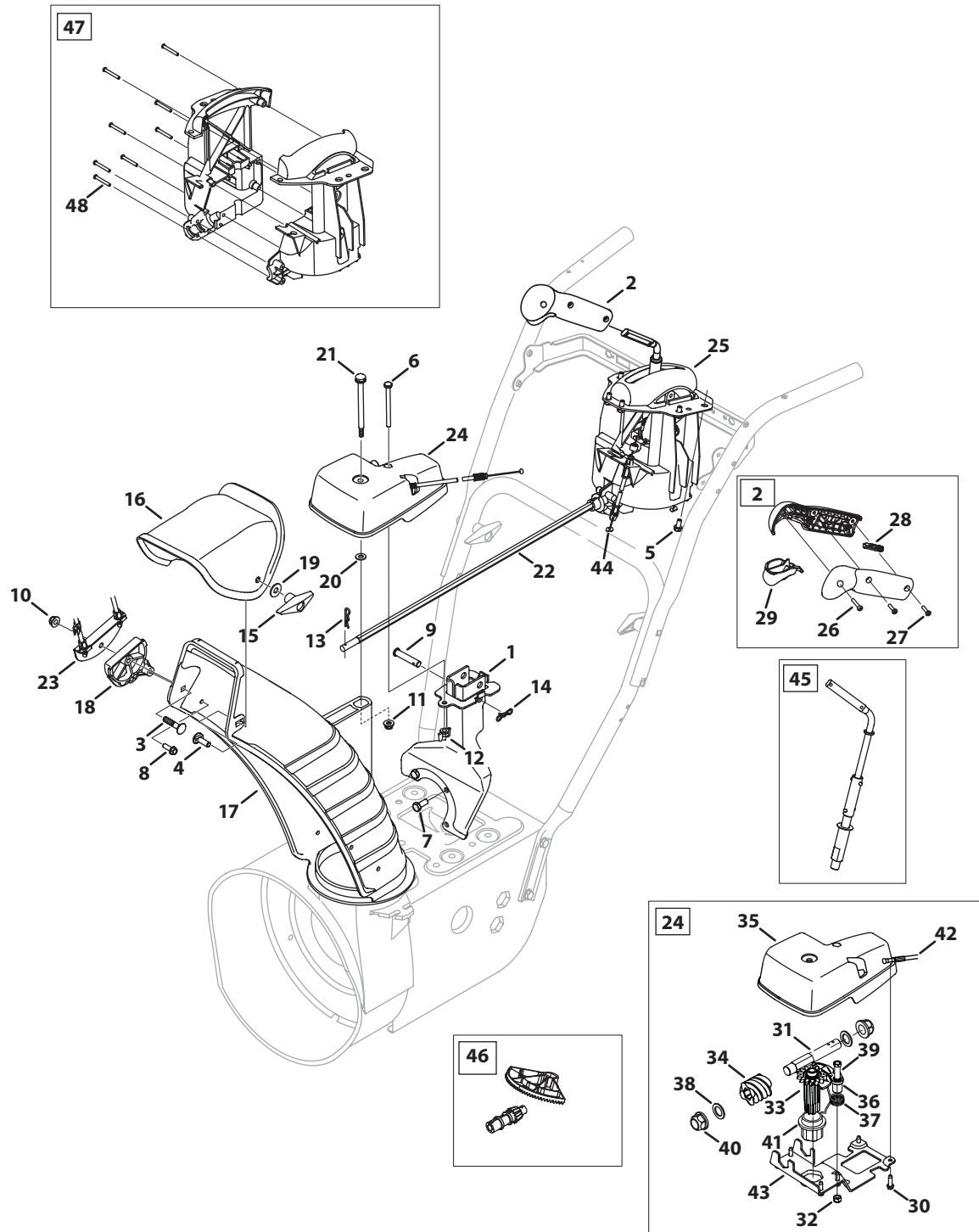


T-Style Handle, Frame & Discharge Chute

Ref.	Part Number	Description	Ref.	Part Number	Description
1	710-04484	Hex Screw, 5/16-18 x .750	23	732-04238	Torsion Spring
2	631-04133A	Handle Clutch Lock LH Assy	24	935-0199A	Rubber Bumper
—	631-04134B	Handle Clutch Lock RH Assy	25	936-0267	Flat Washer, .385 x .87 x .06
3	710-0572	Carriage Screw, 5/16-18 x 2.25	26	738-04125	Shoulder Screw, .374 x 1.05
4	931-04187A	Handle Panel, includes Ref. 40 & 41	27	738-04348	Shoulder Screw, 1/4-20 x 1.345
5	684-04105B	Handle Engagement Assembly LH	28	946-04396A	Speed Cable Selector
6	684-04106B	Handle Engagement Assembly RH	29	790-00248B-0637	Panel Bracket
7	684-04250	Pivot Rod	30	790-00311A-0637	Shift Lever
8	710-04326	Screw, 8-16 x 0.50	31	720-04072A	Wing Knob
9	710-04586	Screw, 1/4-20 x 1.625	32	749-04138A-0637	Lower Handle
10	710-1233	Screw, 10-24 x 1.375	33	749-04190A-0637	Upper Handle RH
11	710-3069	Socket Screw, 1/4-20 x .50	34	749-04191A-0637	Upper Handle LH
12	712-04064	Flange Lock Nut, 1/4-20	35	716-04036	E-Ring
13	712-04081A	Shoulder Nut, 1/4-20	36	725-0157	Cable Tie
14	914-0145	Click Pin, .092 x 1.64	37	731-04954	Clutch Trigger
15	720-0274	Handle Grip	38	738-04126	Pin, 3/16
16	720-04039	Shift Knob	39	925-1649	Light Socket
17	725-1629	Lamp	40	731-05324	Lens
18	926-0154	Cable Tie	41	777X41804	Lens Label
19	731-04894D	Lock Plate	42	710-0599	Screw, TT, 1/4-20 x .500 (For ground wire)
20	731-04896B	Clutch Lock Cam	—	925-04137†	Wire Harness (Includes Ref. # 39)
21	732-0193	Compression Spring			
22	732-04219C	Clutch Lock Spring			

† Not Shown

Chute Control



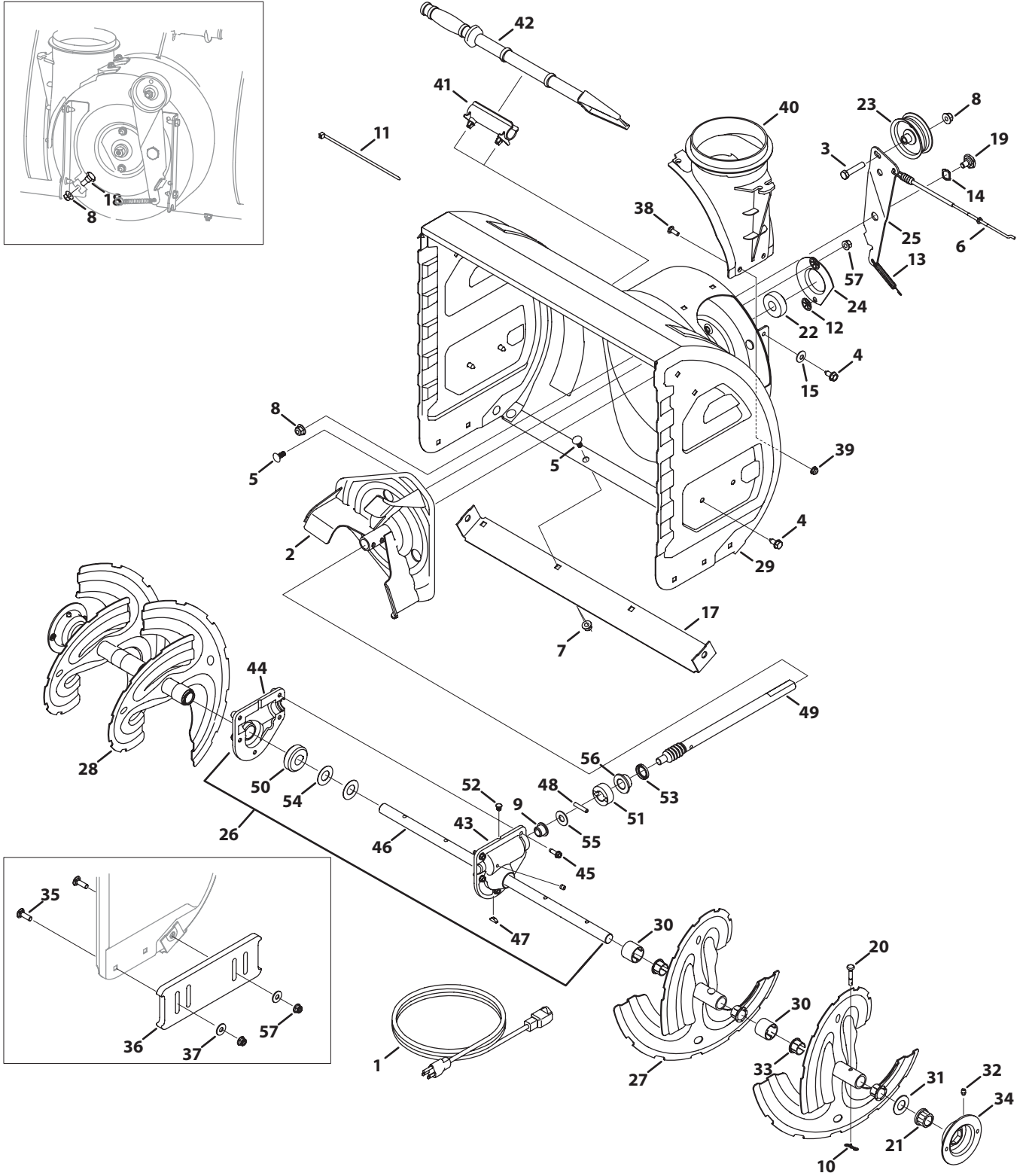
Chute Control

Ref.	Part Number	Description
1	684-04311A-0637	Chute Support Bracket (524 SWE)
	684-04310A-0637	Chute Support Bracket (526 SWE, 528 SW, 528 SWE)
2	753-06151	Handle Assembly
3	710-0262	Bolt, Carriage, 5/16-18 x 1.50
4	710-04071	Bolt, Carrier, 5/16-18 x 1.00
5	710-04187	Screw, HL, 1/4-15 x 0.50
6	710-04370	Hex Head Screw, 1/4-20 x 3.00
7	710-0627	Hex Head Screw, 5/16-24 x .750
8	710-0895	Screw, HL, 1/4-15 x 0.750
9	711-04469A	Clevis Pin, 3/8 x 1.87
10	712-04063	Nut, Flangelock, 5/16-18
11	712-04064	Nut, Flangelock, 1/4-20
12	712-3087	Wing Nut, 1/4-20
13	914-0101	Internal Cotter Pin
14	714-04040	Bow-Tie Cotter Pin
15	720-04072A	Star Knob, 5/16-18
16	731-04427A	Chute, Upper
17	731-06440A	Chute, Lower
18	731-06451	Cable Guide, Chute Tilt
19	936-0159	Washer, Flat, .349 x .879
20	736-04446	Washer, Flat, .25 x .630
21	738-04367	Screw, Shoulder, .312 x 3.5 x 1/4-20
22	747-05116	Chute Rod, 3/8 Hex
23	784-5594-0637	Cable Bracket
24	918-04801A	Gearbox Assembly, Chute Rotation

Ref.	Part Number	Description
25	984-04338	Chute Control, 4-Way
26	710-04353	Screw, #8 x 1.00
27	710-04879	Screw, 8-32 x .750
28	731-04893A	Joystick Plug
29	731-07031	Joystick Trigger
30	710-04373A	Screw, 12-16 x .75
31	711-05186	Hex Shaft
32	712-0896	Hexlock Nut, 1/4-28
33	717-04667	Gear, 14 T
34	717-04672	Worm
35	731-06906	Gear Cover
36	731-06943	Pawl Lock
37	732-04638C	Torsion Spring, .721 ID x .474
38	736-0290	Washer, Flat, .625 x 1.0 x .067
39	738-04391	Screw, Shoulder, .340 x .950 x 1/4-28
40	941-0225	Hex Bearing
41	741-04388	Flange Bearing
42	946-04619B	Cable Lock
43	790-00342B-0637	Gear Bracket
44	946-04528A	4-Way Cable
	946-04477†	4-Way Cable w/Clip
45	984-04324A	Shift Assembly
46	753-06152	Gear Set Assembly
47	753-06153	Handle Housing Assembly
48	710-1256	Screw, #8-18 x 1.250

† Not Shown

Auger & Auger Housing

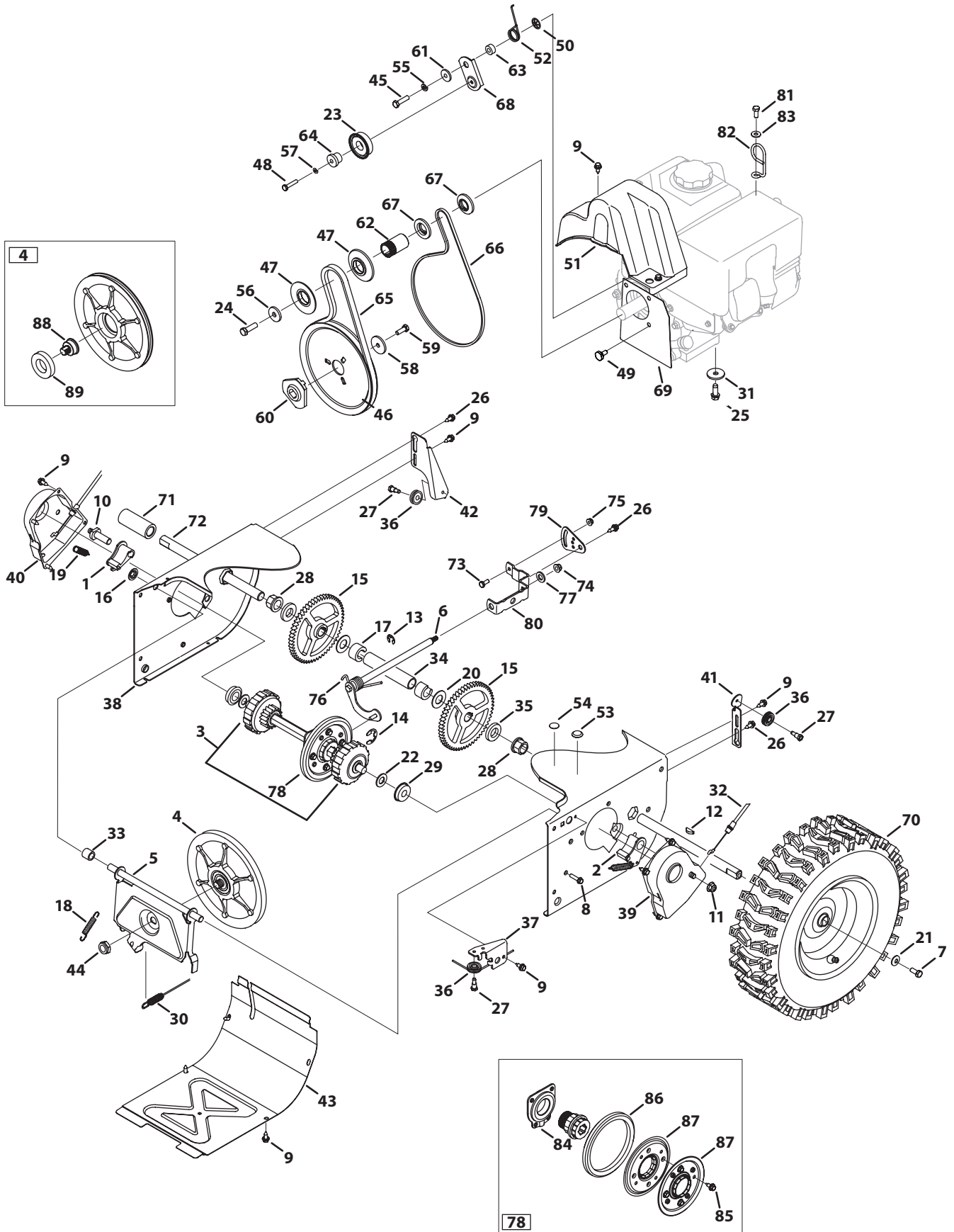


Auger & Auger Housing

Ref.	Part Number	Description	Ref.	Part Number	Description
1	929-0071	Extension Cord	29	984-04257	Auger Housing, 28"
2	684-04057A-0637	Impeller Assembly	—	684-04256	Auger Housing, 26"
3	710-0347	Hex Bolt, 3/8-16 x 1.75	—	684-04259	Auger Housing, 24"
4	710-04484	Screw, 5/16-18 x .750	30	731-04870	Spacer, 1.25 x .75 x 1.00
5	710-0451	Carriage Bolt, 5/16-18 x .750 (24")	31	736-0188	Flat Washer, .76 x 1.49 x .06
—	710-04525	Crg. Bolt, 5/16-18 x .750 (26", 28")	32	937-3000	Drive Lube Fitting
6	746-04230	Auger Clutch Cable	33	741-0493A	Flange Bushing, .800 x .910
7	712-04063	Flange Lock Nut, 5/16-18 (24")	34	790-00138A-0637	Bearing Housing
—	712-04103	Hex Nut, 5/16-18 (26", 28")	35	710-0276	Spacer, Carriage, 5/16-18 x 1.00
8	712-04065	Flange Lock Nut, 3/8-16	36	731-06931	Deluxe Slide Shoe
9	741-0663	Flange Bearing, .50 x .75 x .59	37	936-0159	Washer, Flat, .349 x .879 x .063
10	714-04040	Bow Tie Cotter Pin	38	710-0703	Carriage Screw, 1/4-20 x 0.75
11	725-0157	Cable Tie	39	712-04064	Flange Lock Nut, 1/4-20
12	926-04012	Push-On Nut, .25 Dia.	40	731-07525	Chute Adapter
13	732-04460	Extension Spring, .38 OD x 4.59	41	731-2635	Clean-out Tool Mtg. Bracket
14	736-0174	Wave Washer, .625 x .885 x .0175	42	931-2643	Clean-Out Tool
15	736-0242	Bell Washer, .340 x .872 x .060	43	918-0123A	Housing Assembly - RH
16	736-04216†	Bell Washer, .340 x .872 x .060	44	918-0418A	Housing Assembly - LH
17	790-00145	Stainless Steel, Shave Plate, 28"	45	710-0642	Screw, 1/4-20 x 0.75
—	790-00148	Stainless Steel, Shave Plate, 26"	46	711-04283	Axle, Auger, 28"
—	790-00120	Stainless Steel, Shave Plate, 24"	—	711-04284	Axle, Auger, 26"
18	738-0143	Shoulder Screw, 3/8-16 x .496 x .336	—	711-04285	Axle, Auger, 24"
19	938-0281	Shoulder Screw, 3/8-16 x .625 x .17	47	914-0161	Hi-Pro Key
20	738-04124A	Shear Pin	48	715-04021	Dowel Pin, .25OD x 1.25
21	941-0245	Hex Flange Bearing	49	917-04126	Worm Shaft
22	941-0309	Flange Ball Bearing, .75 x 1.85	50	917-0528A	Worm Gear, 20T, 28"
23	756-04224	Flat Idler Pulley	—	917-04861	Worm Gear, 20T, 24", 26"
24	790-00075	Bearing Housing	51	718-04071	Thrust Collar
25	790-00080A-0637	Auger Idler Bracket	52	721-0325	Plug, 1/4 x .437
26	918-04193A	Gearbox Assembly, Auger, 28"	53	721-0327	Oil Seal, .75 x 1.131 x .188
—	918-04192A	Gearbox Assembly, Auger, 26"	54	936-0351	Flat Washer, .76 x 1.5
—	918-04191A	Gearbox Assembly, Auger, 24"	55	736-3084	Flat Washer, .51 x 1.12 x .06
27	684-04107-0637	Spiral Assembly - LH	56	741-0662	Flange Bearing, .75 x 1.00 x .59
28	684-04108-0637	Spiral Assembly - RH	57	712-04063	Flange Lock Nut

† Not Shown

Drive System



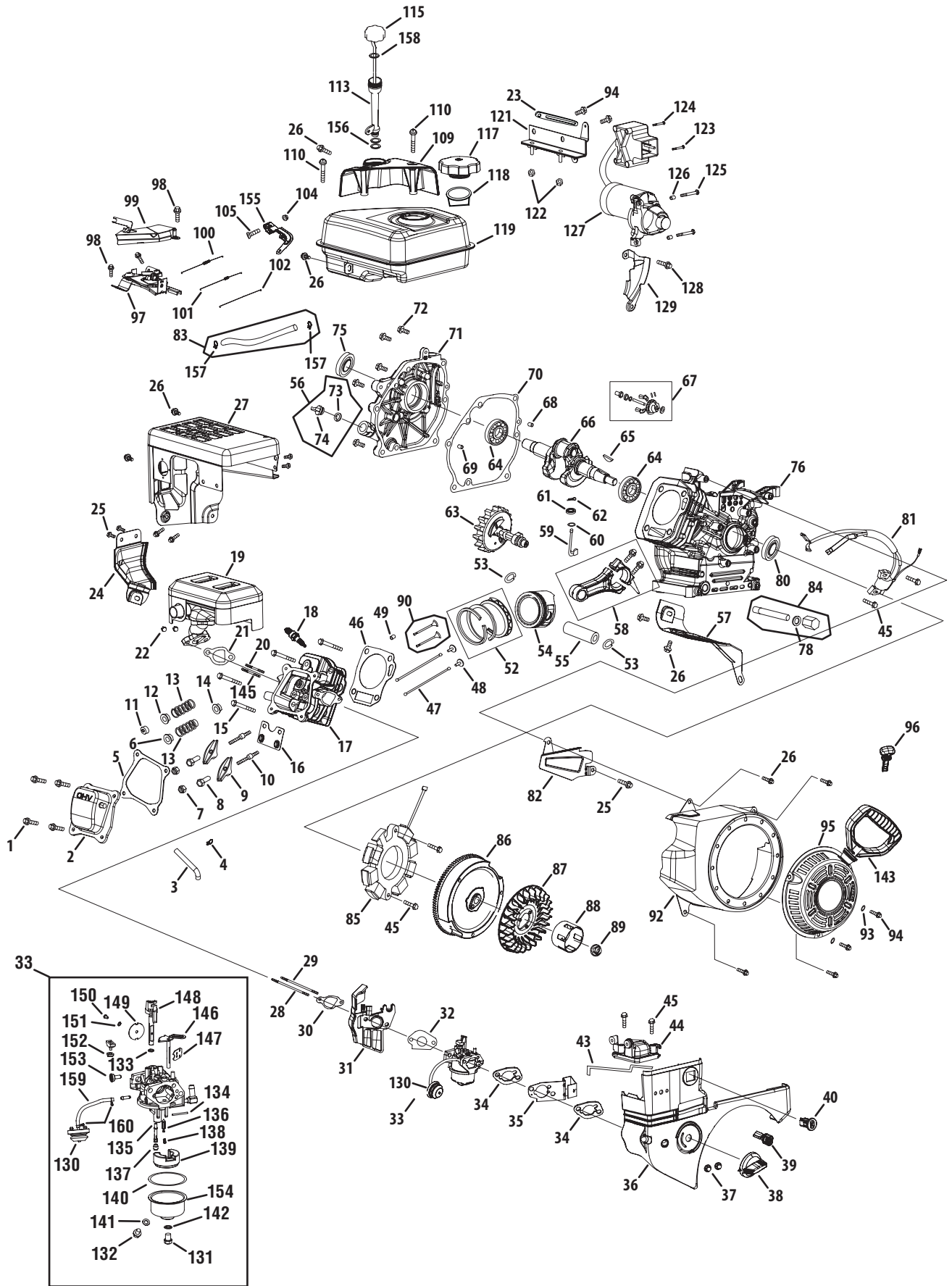
Ref.	Part Number	Description	Ref.	Part Number	Description
1	618-04287	Dogg Assembly, RH	41	790-00206A-0637	Auger Clutch Cable Guide Bracket
2	618-04288	Dogg Assembly, LH	42	790-00207B	Drive Clutch Cable Guide Bracket
3	918-04322A	Drive Shaft Assembly	43	790-00316	Frame Cover
4	656-04055	Friction Wheel Disc Assembly	44	712-0417A	Nut, Flange, 5/8-18
5	684-04154B-0637	Friction Wheel Support Bracket	45	710-0672	Hex Head Screw, 5/16-24 x 1.25
6	684-04156A	Rod Shift Assembly	46	756-04109	Auger Pulley, 8.1 x .5
7	710-0627	Hex Head Screw, 5/16-24 x .750	47	756-04113	Pulley, Half, 2.600
8	710-0788	Screw, 1/4-20 x 1.000	48	710-0809	Taptite Screw, 1/4-20 x 1.250
9	710-1652	Screw, 1/4-20 x .625	49	738-04439	Shoulder Screw, .500 x .145
10	711-1268B	Actuator Shaft	50	926-04012	Nut, Push-On, .25 Dia.
11	712-04065	Nut, Flangelock, 3/8-16	51	731-06401	Belt Cover, (528 SW/SWE & 526 SWE)
12	914-0126	Hi-Pro Key, 3/16 x 3/4 DIA	—	731-05353	Belt Cover (524 SWE)
13	916-0104	E-Ring	52	732-04308A	Spring, Torsion, .850 x .333
14	716-0136	Retainer Ring	53	735-04099	Plug, 3/8 ID
15	917-04210	Gear, 56T	54	735-04100	Plug, 1/2 ID
16	726-0221	Nut, Speed, .500	55	936-0119	Washer, Lock, 5/16
17	731-05297	Spacer, .76 x .75	56	736-0247	Washer, Flat, .406 x 1.25
18	932-0264	Extension Spring, .380 x 2.500	57	936-0329	Washer, Lock, 1/4
19	732-04345	Extension Spring, .500 x 1.71	58	736-0505	Washer, Flat, .34 x 1.50
20	736-0188	Washer, Flat, .76 x 1.49	59	710-1245B	Hex Head Screw, 5/16-24 x .875
21	736-0242	Washer, Bell, .340 x .872	60	748-04053A	Pulley Adapter, .75 DIA
22	736-0626	Washer, Flat, .58 x 1.125	61	748-04112B	Spacer, Shoulder, .3175 x .500
23	684-04169	Idler Pulley Assembly	62	750-04303	Spacer, .875 x 1.185
24	710-0191	Hex Head Screw, 3/8-24 x 1.25	63	750-04477A	Spacer, .340 x .750
25	710-0654A	Taptite Sems Screw, 3/8-16 x 1.000	64	750-04571	Spacer, Shoulder, .260 x .785
26	738-04184A	Screw, Shoulder, .368 x .113 x 1/4-20	65	954-04195	Belt, .500 x 37 (528 SW/SWE & 526 SWE)
27	738-0924A	Screw, Shoulder, .340 x .335 x 1/4-28	—	954-04050	Belt, .500 x 35.06 (524 SWE)
28	941-0245	Hex Flange Bearing, .75 ID	66	954-04201A	Belt, 3/8 x 35.68 (528 SW/SWE & 526 SWE)
29	741-04076	Ball Bearing, .5625 x 1.375 x .4375	—	954-04260	V Belt, 3/8 x 34.4 (524 SWE)
30	746-04229	Drive Clutch Cable	67	756-04252	Pulley, Half, 3/8 x 1.7160
31	736-0320	Washer, Flat, .38 x 1.38	68	790-00208C	Drive Idler Bracket
32	946-0956B	Steering Cable	69	790-00332-0637	Cover Plate (528 SW/SWE & 526 SWE)
33	748-0190	Spacer, .508 x .75	—	790-00289A-0637	Cover Plate (524 SWE)
34	750-04474	Axle Support Tube	70	634-04136-0931	Wheel, LH (528 SW/SWE)
35	750-0767	Spacer, Axle	—	634-04137-0931	Wheel, RH (528 SW/SWE)
36	756-0625	Cable Roller	—	634-04145-0931	Wheel, LH (526 SWE)
37	790-00096-0637	Auger Cable Guide Bracket	—	634-04146-0931	Wheel, RH (526 SWE)
38	790-00183B	Wheel Drive Frame	—	634-04147A-0931	Wheel, LH (524 SWE)
39	790-00185	Shaft Retainer, LH	—	634-04148A-0931	Wheel, RH (524 SWE)
40	790-00186	Shaft Retainer, RH	71	731-04873	Spacer, 1.25 x .75 x 3.00

Drive System

Ref.	Part Number	Description
72	938-04180	Axle, .75 x 11.12
73	710-0751	Hex Head Screw, 1/4-20 x .620
74	712-04063	Nut, Flange Lock, 5/16-18
75	712-04064	Nut, Flange Lock, 1/4-20
76	732-04311	Spring, Torsion, .750 x .968
77	936-3015	Washer, Flat, .469 x .875 x .105
78	684-04159	Friction Wheel Assembly
79	790-00217A-0637	Speed Selector Pivot Bracket
80	790-00218A-0637	Speed Selector Shift Bracket
81	710-04022	Hex Head Screw, 1.25 x 20
82	732-0705	Cable Guide (524 SWE)
—	732-04677	Cable Guide (526 SWE, 528 SW/SWE)
83	936-0264	Washer, Flat, .330 x .630
84	618-0063A	Bearing Assembly, Friction Wheel
85	710-0896	Screw, 1/4-14 x .625
86	935-04054	Friction Wheel, 5.5 OD
87	790-00174	Friction Wheel Plate
88	738-04164A	Friction Pin, Disc Bearing
89	741-04098	Ball Bearing, 30 x 55 x 13

Notes

208 cc 370-SUB Engine



208 cc 370-SUB Engine

Ref. No.	Part No.	Description	Ref. No.	Part No.	Description
1	710-04968	Bolt	72	710-04932	Bolt
2	951-11054	Valve Cover	75	951-11368	Oil Seal
3	731-07059	Breather Hose	78	736-04440	Washer
4	726-04101	Hose Clamp	80	951-11370	Oil Seal
7	751-11124	Pivot Locking Nut	81	951-10646	Ignition Coil
8	751-11123	Valve Adjusting Nut	82	951-11110	Air Flow Shield
10	710-04902	Pivot Bolt	83	951-10650	Fuel Line Kit
15	710-04933	Bolt	84	951-10641	Oil Drain Assembly
18	951-10292	Spark Plug	85	951-12050	Stator
19	951-11282	Muffler Assembly	86	951-12051	Flywheel
20	710-05001	Stud	87	951-10934	Cooling Fan
21	951-11289	Muffler Gasket	88	951-10911	Starter Cup
22	712-04214	Nut	89	712-04209	Nut
23	951-11680	Wire Clip	90	951-10647	Valve Kit
24	951-11111	Exhaust Pipe Shield	92	951-11509	Blower Housing
25	710-04940	Bolt	93	736-04455	Washer
26	710-04915	Bolt	94	710-04914	Bolt
27	951-10642A	Muffler Shroud	95	951-10658	Recoil Starter Assembly
28	710-04939	Stud, M6 x117	96	731-05632	Key
29	710-04910	Stud, M6 x 105	97	951-10758	Throttle Control Assembly
33	951-10638A	Carburetor Assembly	98	710-05103	Bolt
35	951-11112	Choke Control Bracket	99	951-11108	Governor Shield
36	951-10634	Engine Shroud	100	951-11935	Governor Spring
37	712-04213	Nut	101	951-10664	Throttle Return Spring
38	951-11284	Choke Knob	102	951-10665	Governor Rod
39	951-10757	Throttle Control Knob	104	712-04212	Nut
40	951-10637	Ignition Switch	105	710-04908	Bolt
43	951-10640	Choke Push Rod	109	951-10662	Engine/Dipstick Cover
44	951-10635	Heater Box	110	710-04905	Bolt
45	710-04919	Bolt	113	951-11913	Dipstick Tube
47	951-10648	Push Rod Kit	115	951-11912	Dipstick
49	715-04090	Dowel Pin	117	951-10649	Fuel Cap Assembly
56	951-11283	Oil Fill Plug Assembly	118	951-11933	Fuel Level Indicator
57	951-11113	Air Shield	119	951-10653B	Fuel Tank
59	951-11356	Governor Arm Shaft	121	951-11114	Switch Housing Mounting Bracket
60	736-04461	Washer	122	712-04212	Nut
62	714-04074	Cotter Pin	123	710-04965	Bolt, M4 x 55
64	951-11369	Radial Ball Bearing	124	710-04935	Bolt, M4 x 60
65	951-10307	Flywheel Key	125	710-05182	Bolt
68	715-04092	Dowel Pin, 7 x 14	126	715-04088	Dowel Pin
69	715-04096	Dowel Pin, 9 x 14	127	951-10645A	Electric Starter
70	951-11371	Crankcase Cover Gasket	128	710-04979	Bolt

208 cc 370-SUB Engine

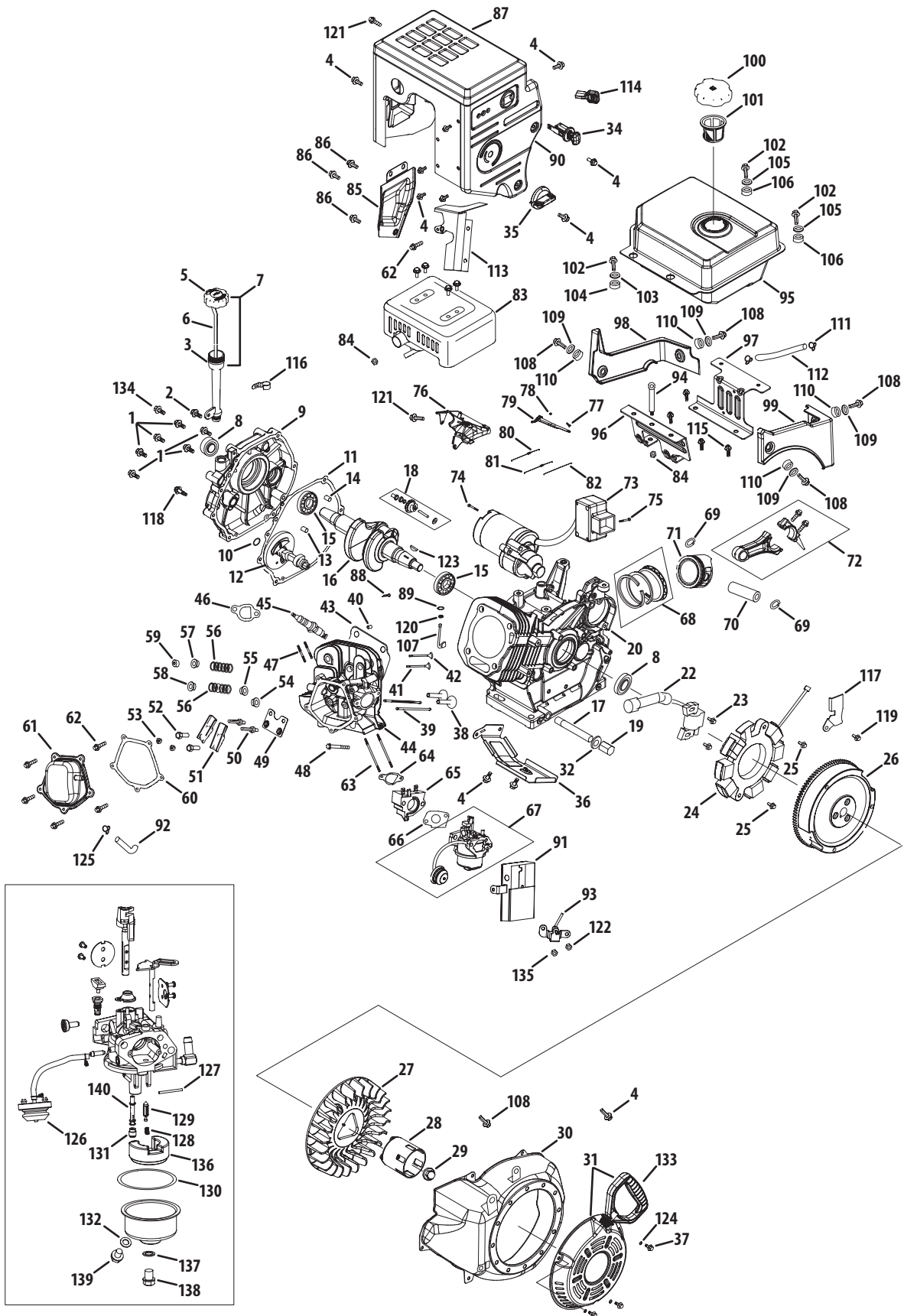
Ref. No.	Part No.	Description
129	951-11109	Blower Housing Shield
130	951-10639A	Primer (includes primer bulb)
—	951-11824	Primer Bulb
131	710-04945	Bolt
132	710-04938	Drain Bolt
143	731-05696	Starter Handle
155	951-11106	Governor Arm Bracket
156	951-11903	O-Ring
157	951-11731	Hose Clamp
158	951-11934	O-Ring
—	951-10651	Fuel Tank Nipple (Not Shown)
—	952Z370-SUB-10	Engine, Complete
145	951-10657	Muffler Stud Assembly
20	710-05001	Stud
33	951-10638A	Carburetor Assembly
130	951-10639A	Primer
131	710-04945	Bolt
132	710-04938	Drain Bolt
133	—	Gasket, Throttle Plate
134	—	Float Pin
135	—	Emulsion Tube
136	—	Needle Valve
137	—	Main Jet
138	—	Needle Valve Spring
139	—	Float
140	951-11589	Fuel Bowl Gasket
141	951-11349	Fuel Drain Plug Gasket
142	951-11348	Fuel Bowl Gasket
146	—	Choke Shaft
147	—	Choke Plate
148	—	Throttle Shaft
149	—	Throttle Plate
150	—	Screw, M3x5
151	—	Lock Washer
152	—	Idle Jet Assembly
153	—	Idle Speed Adjusting Screw
154	—	Fuel Bowl
159	951-11905	Primer Hose
160	951-11906	Hose Clamp

Ref. No.	Part No.	Description
—	951-11249	Crankcase Kit
61	951-11902	Governor Seal
64	951-11369	Radial Ball Bearing
70	951-11371	Crankcase Gasket
76	—	Crankcase
80	951-11370	Oil Seal
—	951-11060A	Short Block Assembly
5	951-11565	Head Cover Gasket
21	951-11289	Muffler Gasket
30	951-11567	Carburetor Insulator Gasket
31	951-11896	Carburetor Insulator Plate
46	951-11572	Cylinder Head Gasket
48	951-11899	Tappet
49	715-04090	Dowel Pin
52	951-11253	Piston Ring Set
53	951-11632	Piston Pin Snap Ring
54	951-12053	Piston
55	951-11633	Piston Pin
58	951-11573	Connecting Rod Assembly
59	951-11356	Governor Arm Shaft
60	736-04461	Washer
61	951-11902	Governor Seal
62	714-04074	Cotter Pin
63	951-11575	Camshaft Assembly
64	951-11369	Radial Ball Bearing
65	951-10307	Flywheel Key
66	—	Crankshaft Assembly
67	951-11576	Governor Gear/Shaft Assembly
68	715-04092	Dowel Pin, 7 x 14
69	715-04096	Dowel Pin, 9 x 14
70	951-11371	Crankcase Cover Gasket
71	—	Case Cover
72	710-04932	Bolt
73	951-11577	O-Ring
74	—	Oil Fill Plug
75	951-11368	Oil Seal
76	—	Crankcase
77	951-11350	Oil Drain Pipe
78	736-04440	Washer
79	710-04906	Oil Drain Plug Washer
80	951-11370	Oil Seal

Ref. No.	Part No.	Description
—	951-10668A	Cylinder Head Assembly
5	951-11565	Head Cover Gasket
6	951-12000	Intake Valve Spring Seat
7	751-11124	Pivot Locking Nut
8	751-11123	Valve Adjusting Nut
9	951-11893	Rocker Arm
10	710-04902	Pivot Bolt
11	951-12002	Exhaust Valve Adjuster
12	951-12003	Exhaust Valve Spring Seat
13	951-12004	Valve Spring
14	951-11894	Intake Valve Seal
16	951-11895	Push Rod Guide Plate
17	—	Cylinder Head - Complete
21	951-11289	Muffler Gasket
30	951-11567	Carburetor Insulator Gasket
31	951-11896	Carburetor Insulator Plate
46	951-11572	Cylinder Head Gasket
90	951-10647	Valve Kit
—	951-11063	Valve Cover Kit
2	951-11054	Valve Cover
5	951-11565	Head Cover Gasket
56	951-11283	Oil Fill Plug Assembly
73	951-11577	O-Ring
74	—	Oil Filler Plug
144	951-11021	Carburetor Kit, Major
133	—	Gasket, Throttle Plate
134	—	Float Pin
135	—	Emulsion Tube
136	—	Needle Valve
137	—	Main Jet
138	—	Needle Valve Spring
139	—	Float
140	951-11589	Fuel Bowl Gasket
141	951-11349	Fuel Drain Plug Gasket
142	951-11348	Fuel Bowl Gasket
—	951-11247A	Crankshaft Kit
64	951-11369	Radial Ball Bearing
65	951-10307	Flywheel Key
66	—	Crankshaft
75	951-11368	Oil Seal
80	951-11370	Oil Seal

Ref. No.	Part No.	Description
—	951-11059A	Gasket Kit, Complete
5	951-11565	Head Cover Gasket
21	951-11289	Muffler Gasket
30	951-11567	Carburetor Insulator Gasket
31	951-11896	Carburetor Insulator Plate
32	951-12005	Carburetor Gasket
34	951-11897	Carburetor Gasket Plate
46	951-11572	Cylinder Head Gasket
60	736-04461	Washer
61	951-11902	Governor Seal
62	714-04074	Cotter Pin
70	951-11371	Crankcase Cover Gasket
75	951-11368	Oil Seal
78	736-04440	Washer
80	951-11370	Oil Seal
—	951-11246	Crankcase Cover Kit
64	951-11369	Radial Ball Bearing
70	951-11371	Crankcase Cover Gasket
71	—	Case Cover
72	710-04932	Cover Bolts
73	951-11577	O-Ring
74	—	Oil Fill Plug
75	951-11368	Oil Seal
—	951-10661B	Gasket Kit, External
5	951-11565	Head Cover Gasket
21	951-11289	Muffler Gasket
30	951-11567	Carburetor Insulator Gasket
31	951-11896	Carburetor Insulator Plate
32	951-12005	Carburetor Gasket
34	951-11897	Carburetor Gasket Plate
78	736-04440	Washer

277cc 478-SU Engine



Ref. No.	Part No.	Description	Ref. No.	Part No.	Description
1	710-04971	Flange Bolt	73	951-11196	Electric Starter
2	710-04968	Flange Bolt	74	710-04967	Flange Bolt
3	951-11206	Dipstick Tube	75	710-04965	Screw
4	710-04915	Flange Bolt	76	951-11213	Throttle Control Assembly
8	951-11372	Crankshaft Oil Seal	77	710-04908	Bolt
11	951-11374	Crankcase Cover Gasket	78	712-04211	Nut
13	715-04102	Dowel Pin	79	951-11231	Governor Arm Bracket
14	715-04096	Dowel Pin	80	951-11202	Governor Spring
15	951-11373	Ball Bearing	81	951-11203	Throttle Return Spring
22	951-11197	Ignition Coil	82	951-11204	Governor Rod
23	710-04920	Flange Bolt	83	951-11195	Muffler Assembly
24	951-11216	Stator	84	712-04219	Nut
25	710-04969	Flange Bolt	85	951-11181	Muffler Baffle
26	951-11214	Flywheel	86	710-04914	Flange Bolt
27	951-11217	Cooling Fan	87	951-11194	Muffler Shield
28	951-11218	Starter Cup	88	714-04077	Governor Shaft Clip
29	712-04220	Flange Nut	89	736-04453	Washer
30	951-11379	Blower Housing	91	951-11190	Heater Box
31	951-11208	Recoil Starter Assembly	92	951-11221	Breather Hose
32	736-04440	Oil Drain Washer	93	951-11192	Choke Assembly
34	951-10637	Ignition Switch	95	951-11201	Fuel Tank
35	951-11191	Choke Knob	96	951-11182	Fuel Tank Mounting Bracket
36	951-11180	Cylinder Baffle	97	951-11183	Fuel Tank Mounting Bracket
37	710-04974	Flange Bolt	98	951-11184	Fuel Tank Shroud
39	951-11199	Push Rod Kit	99	951-11419	Engine Shroud
40	715-04097	Dowel Pin	100	951-10649	Fuel Cap Assembly
45	951-10292	Spark Plug	101	951-10652	Fuel Filter
46	951-11212	Muffler Gasket	102	710-04970	Flange Bolt
47	951-11207	Muffler Stud Assembly	103	736-04451	Washer
47	710-04964	Exhaust Stud	104	750-05313	Bushing
48	710-04973	Flange Bolt	105	736-04450	Washer
50	710-04962	Rocker Stud Bolt	106	750-05312	Bushing
52	751-11123	Valve Adjusting Nut	108	710-11012	Flange Bolt
53	751-11124	Pivot Locking Nut	109	736-04452	Washer
61	951-11220	Valve Cover	110	750-05314	Bushing
62	710-05054	Bolt	113	951-11227	Carburetor Heat Shield
63	710-04963	Carburetor Stud	114	951-11224	Throttle Knob
64	951-11225	Intake Gasket	115	710-04921	Flange Bolt
65	951-11222	Carburetor Insulator	116	951-11185	Oil Tube Support Bracket
66	951-11223	Carburetor Gasket	117	951-11186	Alternator Wire Clamp Bracket
67	951-11193	Carburetor Assembly	118	710-04972	Flange Bolt

277cc 478-SU Engine

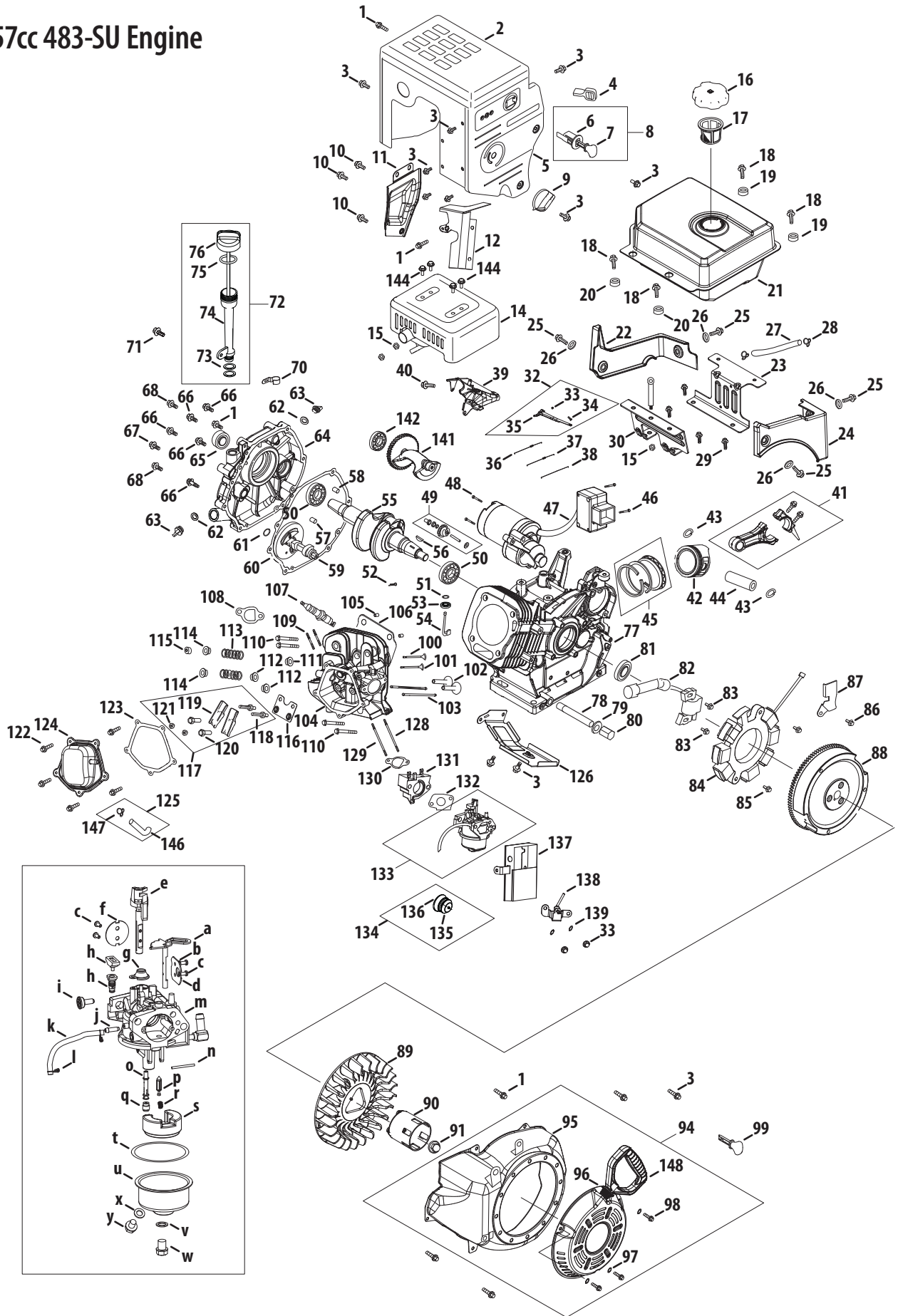
Ref. No.	Part No.	Description
119	710-04966	Flange Bolt
121	710-04916	Flange Bolt
122	712-04211	Nut
123	951-10307	Flywheel Key
124	736-04455	Flat Washer
125	726-04101	Breather Hose Clip
126	951-10639	Primer
132	751-11349	Fuel Drain Plug Gasket
133	731-05696	Starter Handle
134	710-05052	Bolt
135	736-04477	Nut
137	751-11348	Fuel Bowl Gasket
138	710-04945	Fuel Drain Bolt
139	710-04903	Fuel Drain Plug
—	951-10651	Fuel Tank Nipple (Not Shown)
—	731-05632	Key (Not Shown)
—	951-11228	Crankcase Cover Kit
1	710-04971	Flange Bolt
8	951-11372	Crankshaft Oil Seal
9	—	Crankcase Cover
10	—	Flat Washer
11	951-11374	Crankcase Cover Gasket
15	951-11373	Ball Bearing
118	710-04972	Flange Bolt
—	951-11229	Crankshaft Kit
8	951-11372	Crankshaft Oil Seal
15	951-11373	Ball Bearing
16	—	Crankshaft Assembly
123	951-10307	Flywheel Key
—	951-11230	Crankcase Kit
8	951-11372	Crankshaft Oil Seal
15	951-11373	Ball Bearing
20	—	Crankcase
120	—	Governor Shaft Seal

Ref. No.	Part No.	Description
—	951-11219	Carburetor Kit
127	—	Float Pin
128	—	Needle Valve Spring
129	—	Needle Valve
130	—	Bowl gasket
131	—	Main Jet
132	751-11349	Fuel Drain Plug Gasket
136	—	Carburetor Float
140	—	Main Nozzle
—	951-11209	Gasket Kit, Complete
8	951-11372	Crankshaft Oil Seal
11	951-11374	Crankcase Cover Gasket
32	736-04440	Oil Drain Washer
43	—	Head Gasket
46	951-11212	Muffler Gasket
60	—	Valve Cover Gasket
64	951-11225	Intake Gasket
65	951-11222	Carburetor Insulator
66	951-11223	Carburetor Gasket
120	—	Governor Shaft Seal
—	951-11210	Gasket Kit, External
11	951-11374	Crankcase Cover Gasket
32	736-04440	Oil Drain Washer
60	—	Valve Cover Gasket
64	951-11225	Intake Gasket
65	951-11222	Carburetor Insulator
66	951-11223	Carburetor Gasket
—	951-11226	Cylinder Head Kit
43	—	Head Gasket
48	710-04973	Flange Bolt
54	—	Intake Valve Seal
60	—	Valve Cover Gasket
7	951-11205	Dipstick Assembly
5	—	Oil Cap
6	—	Dipstick

Ref. No.	Part No.	Description
—	951-11200	Fuel Line Kit
111	—	Fuel Hose Clamp
112	—	Fuel Hose
—	951-11198	Valve Kit
41	—	Intake Valve
42	—	Exhaust Valve
—	951-10641	Oil Drain Assembly
17	—	Extended Oil Drain Tube
19	—	Extended Oil Drain Plug
32	736-04440	Oil Drain Washer
—	951-11188	Cylinder Head Assembly
41	—	Intake Valve
42	—	Exhaust Valve
43	—	Head Gasket
44	—	Cylinder Head
46	951-11212	Muffler Gasket
47	710-04964	Exhaust Stud
48	710-04973	Flange Bolt
49	—	Pushrod Guide Plate
50	710-04962	Rocker Stud Bolt
51	—	Rocker Arm
52	751-11123	Valve Adjusting Nut
53	751-11124	Pivot Locking Nut
54	—	Intake Valve Seal
55	—	Exhaust Valve Spring Support
56	—	Valve Spring
57	—	Exhaust Spring Retainer
58	—	Intake Spring Retainer
59	—	Exhaust Valve Cap
60	—	Valve Cover Gasket
63	710-04963	Carburetor Stud
64	951-11225	Intake Gasket
65	951-11222	Carburetor Insulator

Ref. No.	Part No.	Description
—	951-11187	Short Block Assembly
1	710-04971	Flange Bolt
2	710-04968	Flange Bolt
8	951-11372	Crankshaft Oil Seal
9	—	Crankcase Cover
10	—	Flat Washer
11	951-11374	Crankcase Cover Gasket
12	—	Camshaft Assembly
13	715-04102	Dowel Pin
14	715-04096	Dowel Pin
15	951-11373	Ball Bearing
16	—	Crankshaft Assembly
17	—	Oil Drain Bolt
18	—	Governor Gear Assembly
19	—	Extended Oil Drain Plug
20	—	Crankcase
32	736-04440	Oil Drain Washer
38	—	Tappet
40	715-04097	Dowel Pin
43	—	Head Gasket
46	951-11212	Muffler Gasket
48	710-04973	Flange Bolt
60	—	Valve Cover Gasket
64	951-11225	Intake Gasket
65	951-11222	Carburetor Insulator
68	—	Piston Ring Set
69	—	Piston Pin Clip
70	—	Piston Pin
71	—	Piston
72	—	Conrod Assembly
88	714-04077	Governor Shaft Clip
89	736-04453	Flat Washer
107	—	Governor Shaft
118	710-04972	Flange Bolt
120	—	Governor Shaft Seal
123	951-10307	Flywheel Key

357cc 483-SU Engine



357cc 483-SU Engine

Ref.	Part Number	Description	Ref.	Part Number	Description
1	710-11012	Bolt, M6 x 16	45	951-11955	Piston Ring Set
2	951-11339	Muffler Shield	46	710-04965	Bolt, M4 x 55
3	710-04915	Bolt, M6 x 12	47	951-11196	Startup Electromotor
4	951-10757	Throttle Control Knob	48	710-04967	Bolt, M8 x 55
5	951-11595	Control Panel	49	951-11956	Governor Gear/Shaft Ass'y
7	731-05632	Key	50	951-11957	Radial Ball Bearing
8	951-10637	Key Switch Ass'y	51	736-04453	Washer
9	951-11302	Choke Knob	52	714-04077	Cotter Pin
10	710-04914	Bolt, Flange, M6 x 10	53	951-11958	Governor Seal
11	951-11181	Muffler Baffle	54	951-11365	Governor Arm Shaft
12	951-11321	Carb Isolator Bracket	56	951-10307	Woodruff Key
14	951-11338	Muffler Ass'y	57	715-04102	Dowel Pin, 9 x 12
15	712-04219	Nut, M8 - 1.25	58	715-04092	Dowel Pin, 7 x 14
16	951-10649	Fuel Cap Ass'y	59	951-11959	Camshaft Ass'y
17	951-11933	Fuel Level Indicator	60	951-11376	Crankcase Cover Gasket
18	710-04970	Flange Bolt, M8 x 20	61	736-04476	Washer
19	750-05312	Bushing, Gas Tank	62	951-11960	O-Ring
20	750-05313	Bushing, Gas Tank	65	951-11375	Oil Seal
21	951-11201	Fuel Tank Ass'y	66	710-04971	Bolt, M8 x 38
22	951-11319	Fuel Tank Shroud	67	710-04972	Bolt, M8 x 45
23	951-11318	Rear Mounting Bracket Ass'y	68	710-05052	Bolt, M8 x 35
24	951-11351	Engine Shroud	70	951-11320	Dipstick Clamp
25	951-11012	Bolt, M6 x 16	71	710-04966	Bolt, M6 x 8
26	736-04452	Bush - Washer	73	951-11903	Oil Fill Tube O-Ring
28	951-11731	Fuel Line Clamp	75	951-11904	Dipstick O-Ring
29	710-04921	Bolt, M8 x 14	78	951-11350	Oil Drain Pipe Ass'y
30	951-11182	Fuel Tank Mounting Bracket	79	736-04440	Oil Drain Washer
33	712-04212	Nut, M6	80	710-04906	Oil Drain Plug
34	710-04908	Governor Arm Bolt	81	951-11499	Oil Seal
35	951-11307	Governor Arm	82	951-11305	Ignition Coil Ass'y
36	951-11306	Governor Spring	83	710-04920	Ignition Coil Bolt
37	951-11203	Throttle Linkage Spring	84	951-11961	Coil Assy. Charge
38	951-11309	Throttle Linkage	85	710-04969	Bolt, M6 x 30
39	951-11311	Primer Bracket	86	710-04966	Bolt, M6 x 8
40	710-04916	Bolt, Flange, M6 x 14	87	951-11186	Alternator Wire Clamp Bracket
41	951-11951	Connecting Rod Ass'y	88	951-11312	Flywheel
42	951-11952	Piston	89	951-11313	Fan, Cooling
43	951-11953	Piston Pin Snap Ring	90	951-11314	Starter Cup
44	951-11954	Piston Pin	91	712-04220	Nut, Special, M16 x 1.5

357cc 483-SU Engine

Ref.	Part Number	Description
95	951-11211	Blower Housing
96	951-11310	Recoil Starter
97	736-04455	Gasket
98	710-04974	Bolt, M6 x 10
99	731-05632	Key
102	951-11962	Tappet
103	951-11335	Push Rod (2X)
105	715-04097	Dowel Pin, 12 x 20
106	951-11963	Gasket, Cylinder Head
107	951-10292	Spark Plug/F6rtc
108	951-11212	Exhaust Pipe Gasket
109	710-04964	Stud, M8 x 48.5
110	710-05053	Bolt, M10 x 1.25 x 87
111	751-11964	Intake Valve Seal
116	951-11965	Push Rod Guide
117	951-11981	Rocker Arm Ass'y
118	710-04962	Bolt, Pivot
119	951-11966	Rocker Arm
120	751-11123	Adjusting Nut, Valve
121	751-11124	Nut, Pivot Locking
122	710-05054	Valve Cover Bolt
123	951-11967	Valve Cover Gasket
124	951-11220	Valve Cover
126	951-11317	Cylinder Baffle
128	710-05055	Stud, M6 x 8 x 98
129	710-05056	Stud, M6 x 8 x 118
130	951-11315	Carburetor Insulator Gasket
131	951-11316	Carburetor Insulator Plate
132	951-11223	Carburetor Gasket
133	951-11303A	Carburetor Ass'y
134	951-10639A	Primer Ass'y
135	951-11824	Primer Bulb
137	951-11304	Heater Box
138	951-11192	Choke Control
139	736-04477	Lock Washer
141	951-11968	Camshaft Gear Ass'y
142	951-11969	Bearing
144	710-05051	Bolt
146	951-11221	Breather Hose

Ref.	Part Number	Description
147	726-04101	Clamp
148	731-05696	Starter Handle
k	751-11991	Primer Hose
t	951-11970	Bowl Gasket
v	951-11348	Main Bowl Bolt Gasket
w	710-04945	Fuel Bowl Mounting Bolt
x	951-11349	Fuel Drain Plug Gasket
y	710-04903	Fuel Drain Plug
—	951-10651	Fuel Tank Nipple (Not Shown)
—	952Z483-SU-10	Replacement Engine
—	951-11207	Muffler Stud Ass'y
109	710-04964	Muffler Stud
—	951-11329A	Cylinder Head Ass'y
100	—	Exhaust Valve
101	—	Intake Valve
104	—	Cylinder Head
106	951-11963	Gasket, Cylinder Head
108	951-11212	Exhaust Pipe Gasket
109	710-04964	Stud, M8 x 48.5
110	710-05053	Bolt, M10 x 1.25 x 87
111	751-11964	Intake Valve Seal
112	—	Intake Valve Seal
113	—	Valve Spring
114	—	Valve Spring Retainers - Exhaust
115	—	Exhaust Valve Adjuster
116	951-11965	Push Rod Guide
118	710-04962	Bolt, Pivot
119	951-11966	Rocker Arm
120	751-11123	Adjusting Nut, Valve
121	751-11124	Nut, Pivot Locking
123	951-11967	Valve Cover Gasket
128	710-05055	Stud, M6 x 8 x 98
129	710-05056	Stud, M6 x 8 x 118
130	951-11315	Carburetor Insulator Gasket
131	951-11316	Carburetor Insulator Plate
—	951-10641	Oil Drain Ass'y
78	951-11350	Oil Drain Pipe Ass'y
79	736-04440	Oil Drain Washer
80	710-04906	Oil Drain Plug

Ref.	Part Number	Description
—	951-11328A	Short Block Ass'y
41	951-11951	Connecting Rod Ass'y
42	951-11952	Piston
43	951-11953	Piston Pin Snap Ring
44	951-11954	Piston Pin
45	951-11955	Piston Ring Set
49	951-11956	Governor Gear/Shaft Ass'y
50	951-11957	Radial Ball Bearing
51	736-04453	Washer
52	714-04077	Cotter Pin
53	951-11958	Governor Seal
54	951-11365	Governor Arm Shaft
55	—	Crankshaft Ass'y
56	951-10307	Woodruff Key
57	715-04102	Dowel Pin, 9 x 12
58	715-04092	Dowel Pin, 7 x 14
59	951-11959	Camshaft Ass'y
60	951-11376	Crankcase Cover Gasket
61	736-04476	Washer
63	—	Oil Drain Plug Ass'y
64	—	Crankcase Cover
65	951-11375	Oil Seal
66	710-04971	Bolt, M8 x 38
67	710-04972	Bolt, M8 x 45
68	710-05052	Bolt, M8 x 35
77	—	Crankcase Complete
78	951-11350	Oil Drain Pipe Ass'y
79	736-04440	Oil Drain Washer
81	951-11499	Oil Seal
102	951-11962	Tappet
105	715-04097	Dowel Pin, 12 x 20
106	951-11963	Gasket, Cylinder Head
108	951-11212	Exhaust Pipe Gasket
110	710-05053	Bolt, M10 x 1.25 x 87
123	951-11967	Valve Cover Gasket
130	951-11315	Carburetor Insulator Gasket
131	951-11316	Carburetor Insulator Plate
141	951-11968	Camshaft Gear Ass'y
142	951-11969	Bearing

Ref.	Part Number	Description
—	951-11330A	Gasket Kit - Complete
53	951-11958	Governor Seal
60	951-11376	Crankcase Cover Gasket
65	951-11375	Oil Seal
79	736-04440	Oil Drain Washer
81	951-11499	Oil Seal
106	951-11963	Gasket, Cylinder Head
108	951-11212	Exhaust Pipe Gasket
123	951-11967	Valve Cover Gasket
130	951-11315	Carburetor Insulator Gasket
131	951-11316	Carburetor Insulator Plate
132	951-11223	Carburetor Gasket
—	951-11333	Valve Cover Kit
123	951-11967	Valve Cover Gasket
124	951-11220	Valve Cover
—	951-11331	Gasket Kit - External
79	736-04440	Oil Drain Washer
108	951-11212	Exhaust Pipe Gasket
123	951-11967	Valve Cover Gasket
130	951-11315	Carburetor Insulator Gasket
131	951-11316	Carburetor Insulator Plate
132	951-11223	Carburetor Gasket
—	951-11337	Valve Kit
100	—	Exhaust Valve
101	—	Intake Valve
—	951-11345	Oil Filler Plug Ass'y
62	951-11960	O-Ring
63	—	Oil Drain Plug Ass'y
—	751-11971	Dipstick Ass'y
75	951-11904	Dipstick O-Ring
76	—	Dipstick / Cap
—	951-11336	Fuel Line Kit
27	—	Fuel Line
28	951-11731	Fuel Line Clamp
—	951-11334	Cylinder Head Kit
106	951-11963	Gasket, Cylinder Head
110	710-05053	Bolt, M10 x 1.25 x 87
111	751-11964	Intake Valve Seal
123	951-11967	Valve Cover Gasket

357cc 483-SU Engine

Ref.	Part Number	Description
—	951-11342	Crankshaft Kit
50	951-11957	Radial Ball Bearing
55	—	Crankshaft Ass'y
56	951-10307	Woodruff Key
65	951-11375	Oil Seal
81	951-11499	Oil Seal
—	951-11332	Carburetor Kit - Major
g	—	Throttle Pressure Lock Plate
n	—	Float Pin
o	—	Main Nozzle
p	—	Needle Valve
q	—	Main Jet
r	—	Needle Valve Spring
s	—	Float
t	951-11970	Bowl Gasket
v	951-11348	Main Bowl Bolt Gasket
x	951-11349	Fuel Drain Plug Gasket
—	951-11340	Crankcase Cover Kit
50	951-11957	Radial Ball Bearing
60	951-11376	Crankcase Cover Gasket
61	736-04476	Washer
64	—	Crankcase Cover
65	951-11375	Oil Seal
66	710-04971	Bolt, M8 x 38
67	710-04972	Bolt, M8 x 45
68	710-05052	Bolt, M8 x 35
—	751-11341A	Crankcase Kit
50	951-11957	Radial Ball Bearing
53	951-11958	Governor Seal
77	—	Crankcase
81	951-11499	Oil Seal
—	951-11972	Oil Fill Tube Assembly
73	951-11903	Oil Fill Tube O-Ring
74	—	Oil Fill Tube



To order replacement parts, call a Customer Support Representative at (800) 965-4CUB.
Locate your nearest Cub Cadet dealer at (877) 282-8684
or visit www.cubcadet.com to find the nearest Cub Cadet dealer in your area.

CUB CADET LLC, P.O. BOX 361131 CLEVELAND, OHIO 44136-0019
