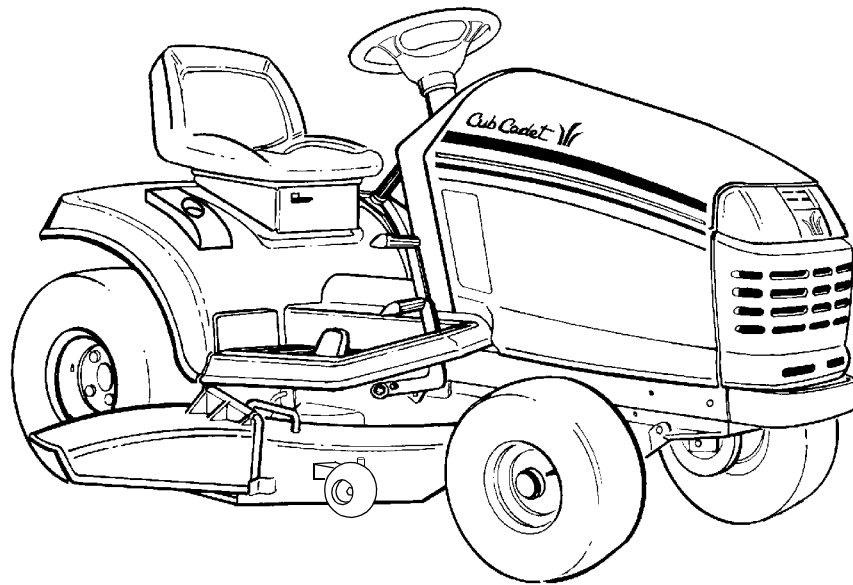


# *Cub Cadet*

## Parts Manual



### *Series* 2000

## TRACTOR

### Model 2166

CUB CADET P.O. BOX 368023 CLEVELAND, OHIO 44136-9723

PRINTED IN U.S.A.

FORM NO. 770-10283A  
(9/00)

# NOTES

## MODEL 2166

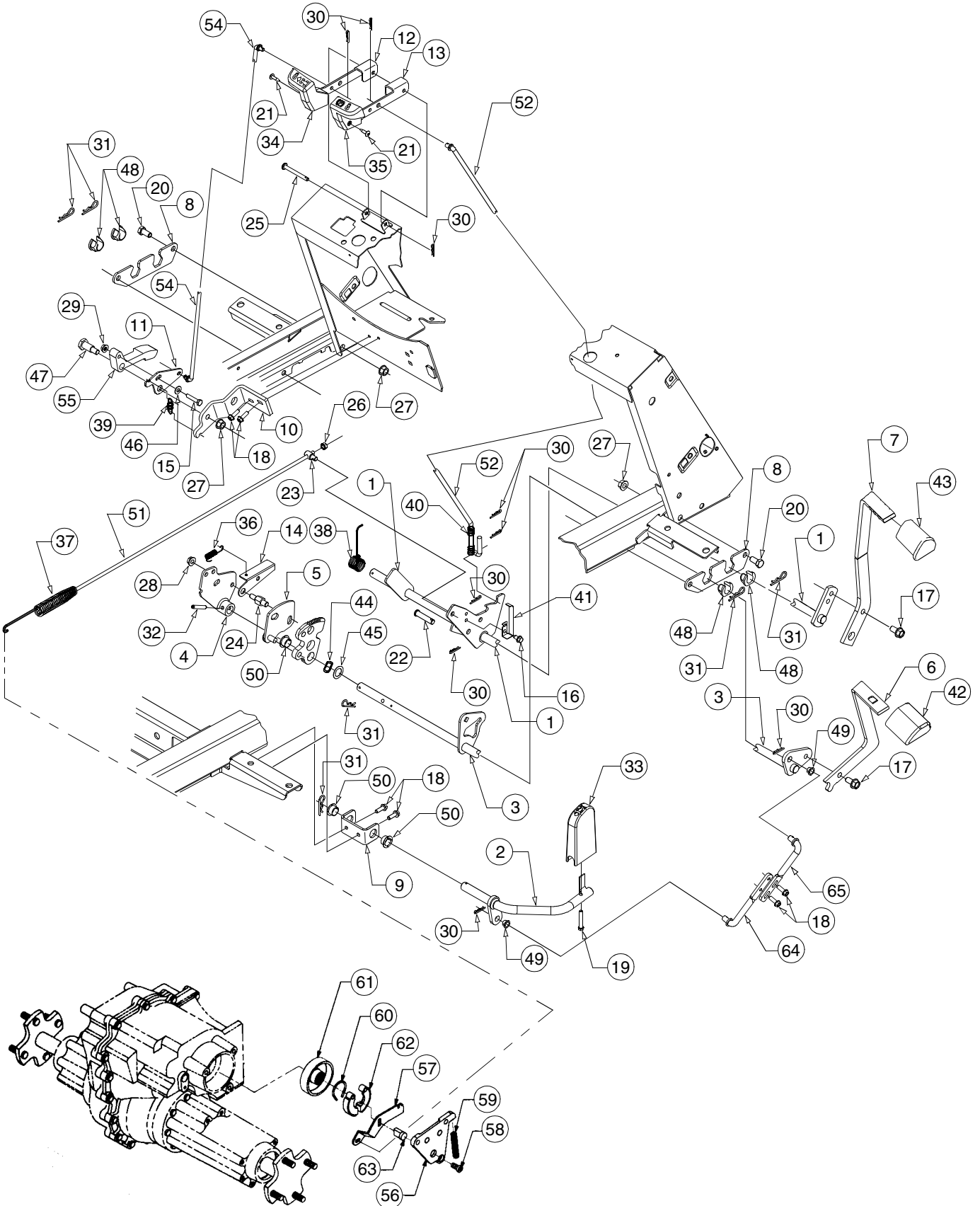
### TABLE OF CONTENTS

DESCRIPTION	PAGE	DESCRIPTION	PAGE
Axle, Front .....	33	Engine Mounting .....	18
Battery .....	14,15	Fender .....	30,31
Brakes .....	2,3	Frame .....	16
Bulkhead .....	13	Fuel Tank .....	17
Controls		Grille .....	28,29
Engine .....	13	Hood .....	28,29
Pedal .....	2,3	Hydraulic Filter .....	12
Transmission .....	6	Hydraulic Linkage .....	12
Dash Panel .....	13	Hydrostatic Pump, Model BDU-10L-221 .....	10,11
Drawbar .....	16	Implement Lift Handle .....	34
Drive Line .....	7	Implement Lift Hanger .....	35
Electrical		Mower Deck, 42" .....	36-39
Switches .....	14,15	Muffler .....	18
Wiring .....	14,15	PTO Clutch .....	17
Engine		Running Board .....	30,31
Air Filter .....	23	Seat .....	32
Blower Housing .....	22	Side Panels .....	28,29
Breather .....	20	Steering .....	4,5
Carburetor .....	24	Transmission, Hydro .....	8-12
Controls .....	25	Wheels, Front & Rear .....	33
Crankcase .....	19		
Crankshaft .....	22		
Cylinder Head .....	20		
Electrical .....	27		
Exhaust .....	22		
Fuel System .....	24		
Oil Pan .....	21		
Starter .....	26		
Valves .....	20		

**NOTE:** For **painted parts**, please refer to the list of color codes below. Please add the applicable color code, wherever needed, to the part number to order a replacement part. For instance, if a part, numbered 700-xxxx, is painted Cub Yellow, the part number to order would be 700-xxxx-0716.

Cub Yellow: 0716  
Cub Beige: 0499  
Cub Blue: 0685  
Powder Black: 0637

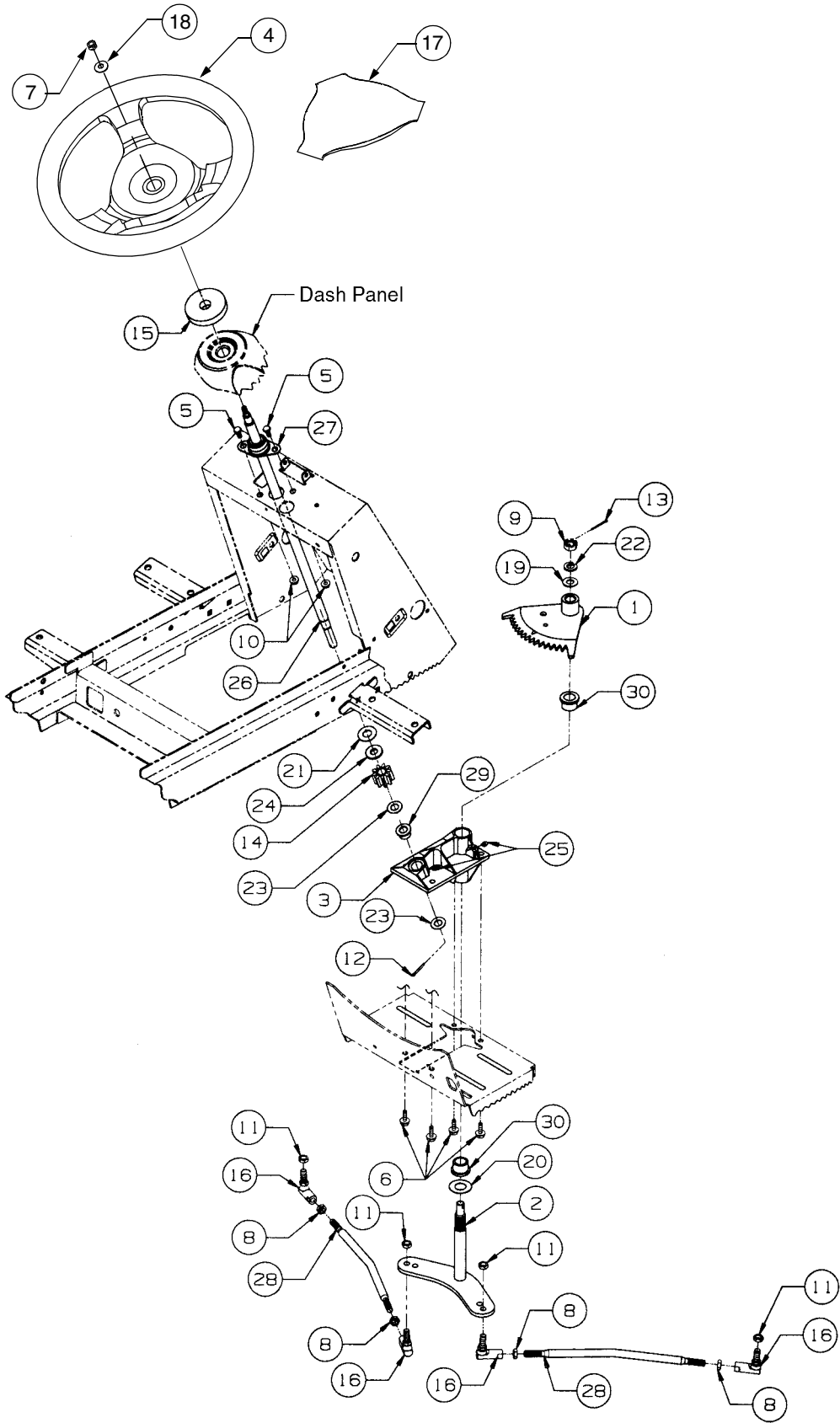
# BRAKE AND CONTROL PEDALS



**BRAKE AND CONTROL PEDALS**

REF. NO.	PART NUMBER	DESCRIPTION	QTY.	REF. NO.	PART NUMBER	DESCRIPTION	QTY.
1	603-0321A	Shaft Assy, Brake	1	33	731-3205	Pedal, Reverse	1
2	603-0412	Pedal Assy, Reverse	1	34	731-3206	Knob, Cruise	1
3	603-0697	Shaft Assy, Forward/Reverse	1	35	731-3207	Knob, Brake Lock	1
4	603-0419	Cam Assy, Control	1	36	732-0418	Spring, Extension, .38 OD x 2.1	1
5	603-0421A	Plate Assy, Disengagement	1	37	732-0463	Spring, Extension	1
6	703-2570A	Pedal, Forward	1	38	732-0756A	Spring, Torsion	1
7	703-2573A	Pedal, Brake	1	39	732-0824	Spring, Extension, .437 OD x 1.32	1
8	703-2804	Plate, Bearing Mounting	2	40	732-3099	Spring, Compression, .50 x 2.23	1
9	703-2938	Bracket, Reverse Pivot	1	41	732-3117	Spring, Switch Actuator	1
10	703-2941	Bracket, Cruise	1	42	735-3048	Pad, Forward Foot Control	1
11	703-2942	Plate, Rod Adjustment	1	43	735-3049	Pad, Brake Foot	1
12	703-2962	Lever, Cruise	1	44	736-0174	Washer, Wave, .625 x .885 x .015	1
13	703-2963	Lever, Brake Lock	1	45	736-0349	Washer, Flat, .635 x 1.0 x .020	1
14	703-2965	Actuator, Reverse Switch	1	46	736-0463	Washer, Flat, 1/4 x .63 x .051	1
15	710-0106	Screw, Hex Cap, 1/4-20 x 1.25	1	47	738-0145	Shoulder Bolt, .50 OD x .840	1
16	710-0599	Screw, Hex Wash Hd Tapp 1/4-20 x .5	1	48	741-3065A	Bearing, Hex Flange Split	4
17	710-0623	Screw, Hex Wash Hd Tapp 3/8-16x .75	2	49	741-3073	Bearing, Flange, .375 x .58 x .25	2
18	710-0642	Screw, Hex Wash Hd Tapp 1/4-20x .75	6	50	741-3074	Bearing, Flange, .626 x .93 x .344	3
19	710-0796	Screw, Truss Mach, #12 x 1.5	1	51	747-3216	Rod, Brake	1
20	710-0216	Screw, Hex Cap, 3/8-16 x .75 GR5	2	52	747-3219	Rod, Parking Brake	1
21	710-3009	Screw, Phil Hd Pan, #10-24 x .75	2	54	747-3307	Rod, Cruise	1
22	711-0415	Pin, Clevis, 3/8 x 1.62	1	55	748-3060	Latch, Cruise	1
23	711-0736	Ferrule, Adjustment, 1/4-20 Thrd	1	56	618-3060	Plate, Brake	1
24	711-1138	Stud, Actuator	1	57	703-2191	Arm, Brake	1
25	711-3295	Pin, Clevis, .25 x 2.38 Lg	1	58	710-3262	Screw, Low Hd Cap, 3/8-16 x .75	1
26	712-0271	Nut, Hex Sems, 1/4-20	1	59	732-0152	Spring, Compression	1
27	712-0431	Nut, Hex Flange Lock, 3/8-16	3	60	732-3077	Spring, Brake	1
28	712-3004A	Nut, Hex Flange Lock, 5/16-18	1	61	761-3019	Drum, Brake	1
29	712-3027	Nut, Hex Flange Lock, 1/4-20	1	62	761-3020	Shoe, Brake	1
30	714-0104	Pin, Internal Cotter, 5/16 Dia x 1.12 Lg	9	63	761-3028	Actuator, Brake Shoe	1
31	714-0145	Pin, Internal Cotter, 3/8 Dia x 1.62	6	64	747-3341A	Rod, Rear Connecting	1
32	715-0114	Pin, Spiral Spring, 1/4 x 1.5	1	65	747-3383	Rod, Front Connecting	1

# STEERING



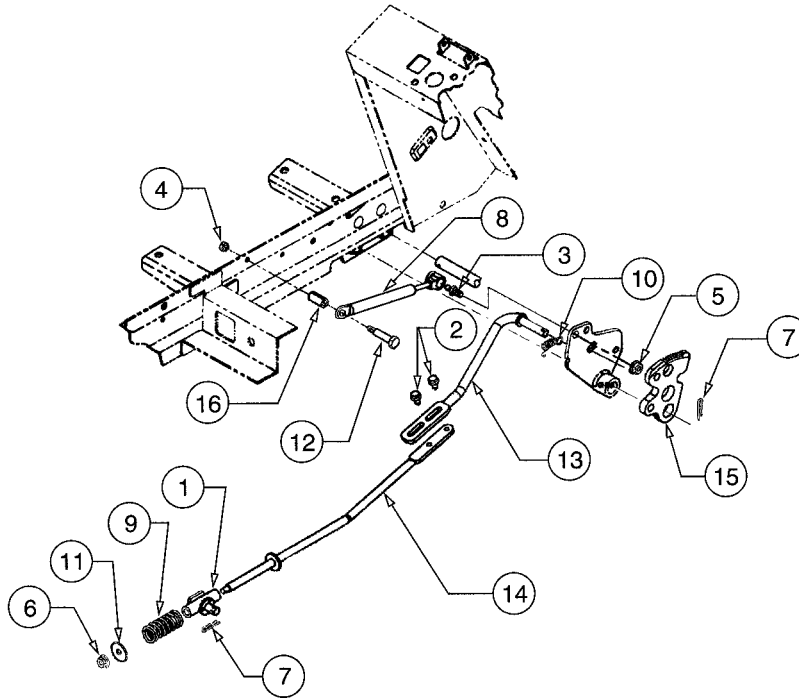
---

## STEERING

REF. NO.	PART NUMBER	DESCRIPTION	QTY.
1	603-0250	Segment Assy, 18T Steering	1
2	603-0064	Arm Assy, Lower Steering	1
3	603-0236B	Housing Assy, (Incl.Ref #25, 29-30)	1
4	731-3209	Wheel, Steering, Soft Grip	1
5	710-0751	Screw, Hex Cap, 1/4 - 20 x .62, GR5	2
6	710-1260A	Screw, Hex Washer Hd, 5/16 - 18 x .75	4
7	712-0237	Nut, Hex Center Lock, 5/16-18	1
8	712-0711	Nut, Jam, 3/8-24 GR2	4
9	712-3012	Nut, Hex Slotted, 1/2-20 GR5	1
10	712-3027	Nut, Hex Flange Lock, 1/4-20	2
11	712-3054	Nut, Hex Lock, 3/8-24 GR5	4
12	714-0115	Pin, Cotter, 1/8 Dia x 1	1
13	714-3004	Pin, Cotter, 3/32 Dia x 1.25	1
14	717-3382	Pinion, Steering	1
15	722-3019	Gasket, Steering	1
16	723-0156	Joint, Ball, 3/8-24	4
17	731-3210	Insert, Steering Wheel Cover	1
18	736-0242	Washer, Bell, .340 x .88 x .06 Thk	1
19	736-0272	Washer, Flat, .510 x 1 x .06 Thk	1
20	796-0351	Washer, Flat, .760 x 1.5 x .03 Thk	1
21	736-0355	Washer, Flat, .56 x 1 x .04 Thk	1
22	736-0921	Washer, Lock, 1/2	1
23	736-3013	Washer, Flat, .531 x 1 x .027 Thk	2
24	736-3132	Wshr, Rubber Flat, .50x1.12x.125 Thk	1
25	737-3000	Fitting, Grease, 3/16 Drive Type	2
26	738-3105	Shaft, Steering	1
27	741-3025	Bearing, Flange	1
28	747-3171	Rod, Tie	2
29	748-0108	Bearing, Flange, .503 ID	1
30	748-3007A	Bearing, Bronze Flange, .75 ID	2

---

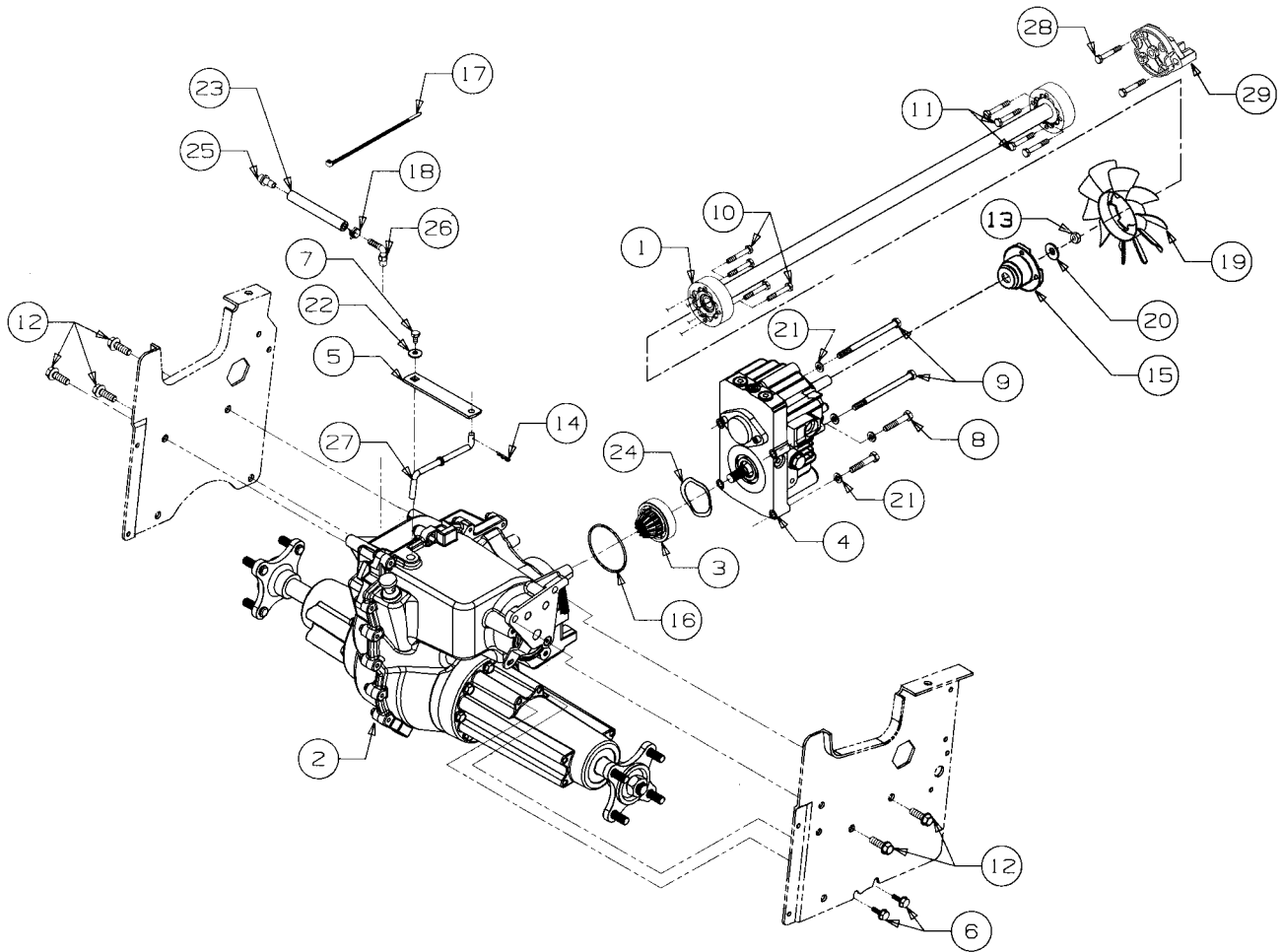
## TRANSMISSION CONTROLS



REF. NO.	PART NUMBER	DESCRIPTION	QTY.
1	603-0272	Pivot Assembly	1
2	710-0599	Screw, Hex Wsh Hd Tapp, 1/4-20 x .5	2
3	710-3170	Screw, Ball, 5/16-18 x.56	1
4	712-0271	Nut, Hex Sems, 1/4-20	1
5	712-3004A	Nut, Hex Flange Lock, 5/16-18 GR5	1
6	712-3027	Nut, Hex Flange Lock, 1/4-20	1
7	714-0104	Pin, Internal Cotter	2
8	727-3090	Cylinder, Damper	1
9	732-3094	Spring, Compression, .63 ID x 2	1
10	732-3118	Spring, Extension, 3/8 OD x 1.44	1
11	736-3092	Washer, Flat, .265 x 1 x .030	1
12	738-0560	Bolt, Shoulder, .374 Dia x 1.375	1
13	747-3304	Rod, Front Control	1
14	747-3309	Rod, Rear Hydro Control	1
15	748-3070	Plate, Cruise	1
16	750-0434	Spacer, Split Tubing, .375 ID x 1.04	1

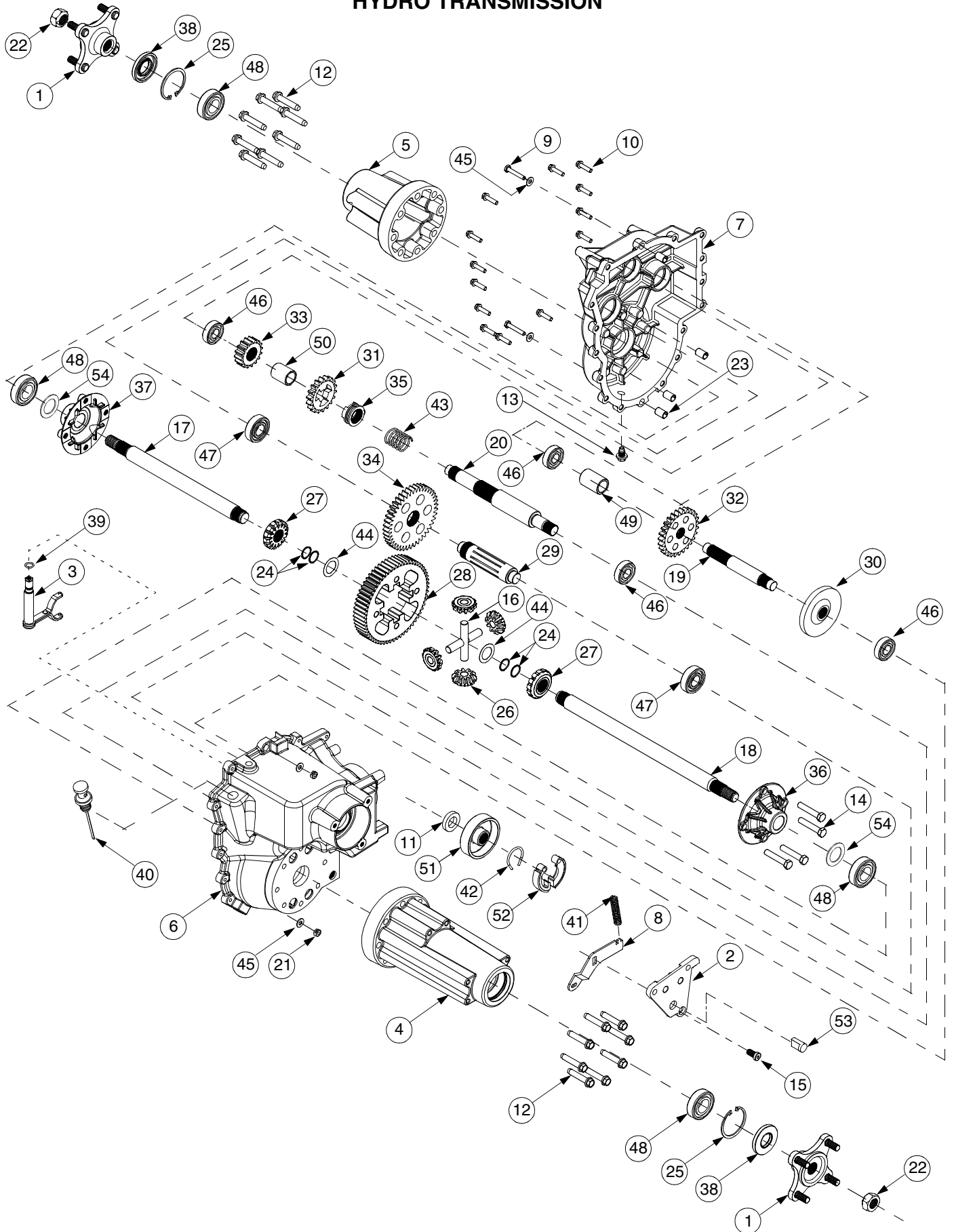


## DRIVE LINE



REF. NO.	PART NUMBER	DESCRIPTION	QTY.	REF. NO.	PART NUMBER	DESCRIPTION	QTY.
1	603-0191	Shaft Assembly, Drive, 27.87 Lg	1	14	714-0104	Pin, Internal Cotter, 5/16 Dia x 1.12	1
	759-3764	Kit, Drive Barrel	2	15	748-3099	Adapter, Pump	1
2	618-3231	Transmission Assembly, Hydro	1	16	721-0261	O-Ring, 2.75 x .103	1
	618-0579	Hub Assy, Wheel (Not Incl. w/ #2)	2	17	725-0157	Tie, Self-Clinch Cable	1
	712-1329	Nut, Hex, 3/4-16 (Not Incl. w/ #2)	2	18	726-0205	Clamp, Hose	1
	732-0152	Spring, Comp. (Not Incl. w/ #2)	1	19	731-3297	Fan, 10 Blade Cooling	1
3	618-3088	Pinion Assembly, Input	1	20	736-0105	Washer, Bell, .380 x .88 x .063	1
4	618-3111	Pump, Hydrostatic	1	21	736-0119	Washer, Lock, 5/16	4
5	703-2568	Arm, Hydro Dump	1	22	736-0270	Washer, Bell, .265 x .75 x .062	1
6	710-1260A	Screw, Hex Wsh Tap, 5/16-18 x .75	2	23	759-3330	Line, Fuel, 7in (10ft Bulk)	1
7	710-0642	Screw, Hex Wsh Tap, 1/4-20 x .75	1	24	736-3099	Washer, Wave, 1.96 x 2.44 x .06	1
8	710-3180	Screw, Hex Cap, 5/16-18 x 1.75 GR5	2	25	737-0296	Vent	1
9	710-3195	Screw, Hex Cap, 5/16-18 x 4.5 GR5	2	26	737-0299	Fitting, Elbow	1
10	710-1062	Screw, Hex Patch, 1/4-20 x 1.25 GR5	4	27	747-3228	Rod, Hydro Disengagement	1
11	710-3288	Screw, Hex Patch, 1/4-20 x 1.62 GR5	8	28	KH-24-086-16	Bolt	2
12	710-3290	Screw, Hex Wsh Tap, 3/8-16 x 1.25	5	29	719-3096	Engine / Driveshaft Coupler	1
13	712-0262	Nut, Hex Center Lock Jam, 3/8-24	1				

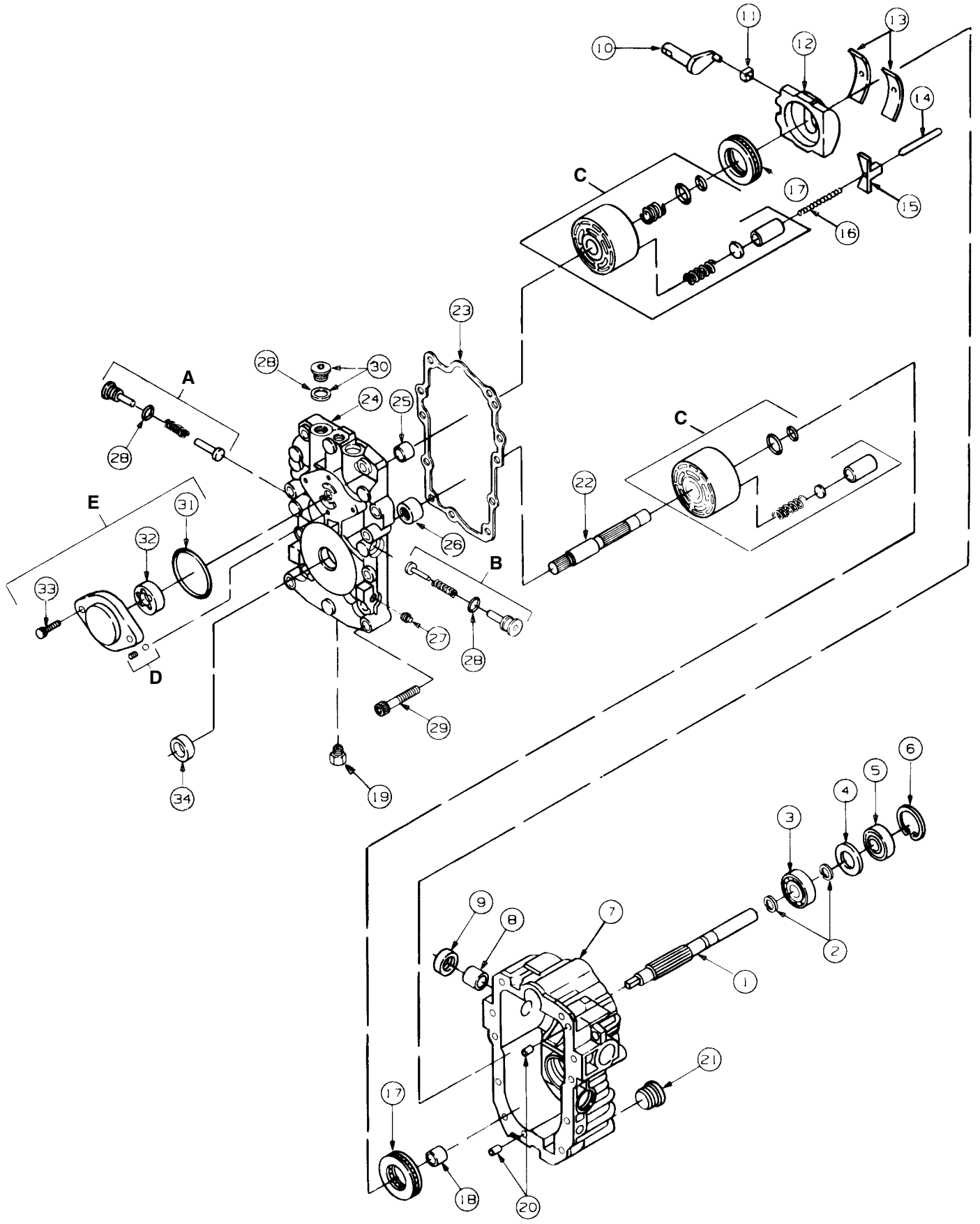
# HYDRO TRANSMISSION



**HYDRO TRANSMISSION**

REF. NO.	PART NUMBER	DESCRIPTION	QTY.	REF. NO.	PART NUMBER	DESCRIPTION	QTY.
1	618-0579	Hub Assembly, Wheel	2	29	717-3346	Shaft, Output, 9T	1
2	618-3060	Plate Assembly, Brake	1	30	717-3347	Gear, Bevel, 36T	1
3	618-3084	Shift Yoke Assembly	1	31	717-3387	Gear, Spur, 18T	1
4	619-0056	Axle Housing, RH	1	32	717-3388	Gear, Spur, 27T	1
5	619-0057	Axle Housing, LH	1	33	717-3391	Gear, Spur, 16T	1
6	719-3171	Transmission Housing, RH	1	34	717-3392	Gear, Spur, 42T	1
	759-3746	Sealant, Ultra Grey	AR	35	718-3039	Collar, Drive	1
7	719-3170	Transmission Housing, LH	1	36	719-0375	Housing, Differential, RH	1
8	703-2191	Brake Arm	1	37	719-0378	Housing, Differential, LH	1
9	710-0606	Screw, Hex Cap, 1/4-20 x 1.5	2	38	721-0520	Seal, Oil, 25.4mm x 54mm x 7mm	2
10	710-0788	Screw, Hex Wash Hd Tap, 1/4-20 x 1.0	13	39	721-3008	O-Ring, 3/8 ID x 1/2 OD x 1/16 Thk	1
11	721-3029	Seal, Shift Shaft	1	40	727-3085	Dipsick, Oil	1
12	710-1008	Screw, TT, 3/8-16 x 1.875	16	41	732-0152	Spring, Compression	1
13	710-1346	Screw, Plug, M14 x 1.5 x .827	1	42	732-3077	Spring, Brake	1
14	710-1670	Screw, Hex Hd Cap, 3/8-24 x 2.0 GR5	4	43	732-3113	Spring, Compression, 1.015 ID x 1.6	1
15	710-3262	Screw, Cap, 3/8-16 x .750	1	44	736-0423	Washer, Flat, 1.0 x 1.56 x .010 Thk	AR
16	711-1052A	Shaft, Cross, .500 x 3.005	2		736-0431	Washer, Flat, 1.0 x 1.56 x .015 Thk	AR
17	711-1320	Shaft, Axle, 1.00 x 12.90	1		736-0424	Washer, Flat, 1.0 x 1.56 x .020 Thk	AR
18	711-1566	Shaft, Axle, 1.00 x 16.62	1		736-0420	Washer, Flat, 1.0 x 1.56 x .040 Thk	AR
19	711-3374	Shaft, Drive	1	45	736-0463	Washer, Flat, .25 x .630 x .0515	4
20	711-3379A	Shaft, Shifter	1	46	741-0361	Bearing, Ball, 17 ID x 40 OD x 12	4
21	712-0291	Nut, Hex Center Lock, 1/4-20	2	47	741-3057	Bearing, Ball, 6204	2
22	712-1329	Nut, Hex, 3/4-16	2	48	741-3114	Bearing, Ball, 6205-1	4
23	715-3045	Dowel Bushing	6	49	750-3133	Spacer, .757 x 1.0 x 1.460	1
24	716-0172	Ring, Retaining, .750	4	50	750-3134	Spacer, .885 x 1.125 x 1.40	1
25	716-0204	Ring, Retaining,	2	51	761-3019	Drum, Brake	1
26	717-1446	Gear, Miter, 10T	4	52	761-3020	Brake, Shoe	2
27	717-1447	Gear, Miter, 14T	2	53	761-3028	Brake, Actuator	1
28	717-1568	Gear, Differential Spur, 60T	1	54	736-0745	Washer, Flat, 1.010 x .56 x .060	2

# HYDROSTATIC PUMP

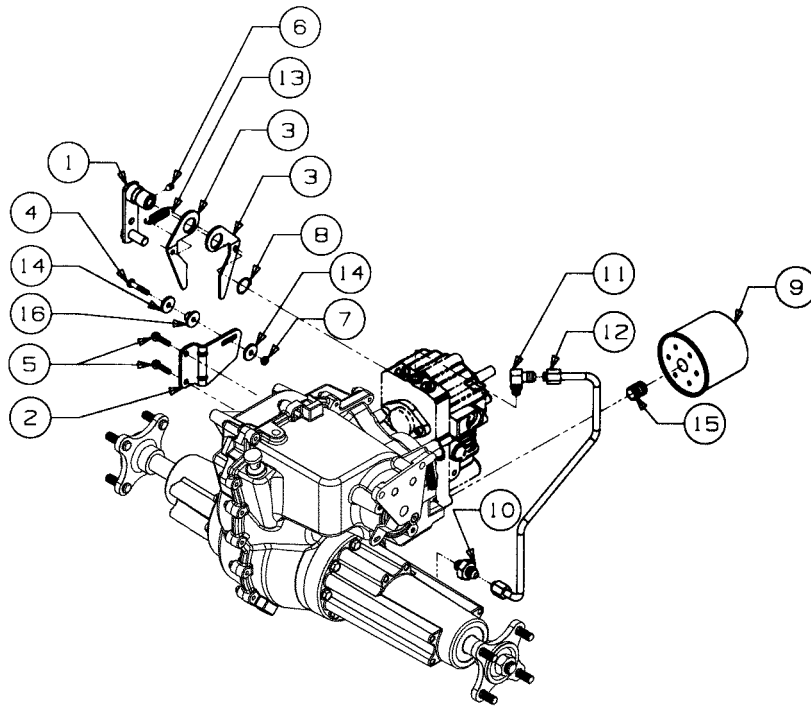


## HYDROSTATIC PUMP

REF. NO.	PART NUMBER	DESCRIPTION	QTY.
A	HG-2510050	Kit, Check Valve	1
B	HG-2510034	Kit, Orificed Check Valve	1
C	HG-2513009	Kit, Cylinder Block	2
D	HG-2510011	Kit, Charge Relief Valve	1
E	HG-2513027	Kit, Charge Pump	1
1	HG-50185	Shaft, Pump	1
2	HG-2003016*	Ring, Retaining	2
3	HG-2003043	Bearing, Ball	1
4	HG-2003018*	Spacer	1
5	HG-9008000-0128*	Seal, Lip	1
6	HG-2003052*	Ring, Retaining	1
7	HG-2513036	Housing Assy (Incl. Ref #8, 14, & 18)	1
8	HG-2003009	Bearing, Journal	1
9	HG-9008000-0126*	Seal, Lip	1
10	HG-2003005	Arm, Trunnion	1
11	HG-2000015	Guide, Slot	1
12	HG-2003087	Swashplate	1
13	HG-2003023	Bearing, Cradle	2
14	HG-9004820-2536	Pin, Leveler	1
15	HG-2003091	Leveler, Swashplate	1
16	HG-2003092	Spring, Leveler	1
17	HG-2003044	Bearing, Thrust	2
18	HG-2003071	Bearing, Journal	1
19	HG-9005110-4400	Plug	1
20	HG-9004800-2506	Pin	2
21	HG-9005110-8700	Plug	1
22	HG-2003034	Shaft, Motor	1
23	HG-2003060*	Gasket, Center Section	1
24	HG-2513037	Center Section Assy (Incl. Ref #25, 26)	1
25	HG-2003071	Bearing, Journal	1
26	HG-2003045	Bearing, Needle	1
27	HG-9005001-0600	Plug, Pipe	1
28	HG-9004201-3700*	O-Ring	3
29	HG-9007314-0808	Screw, Socket Hd	8
30	HG-9005110-5600	Plug w/Ring	2
31	HG-9004101-1340*	O-Ring	1
32	HG-J1041008	Gerotor Assy	1
33	HG-9007375-0038	Screw, Socket Hd	2
34		Not Used In This Application	
*	HG-2513013	Kit, Overhaul Seal	1

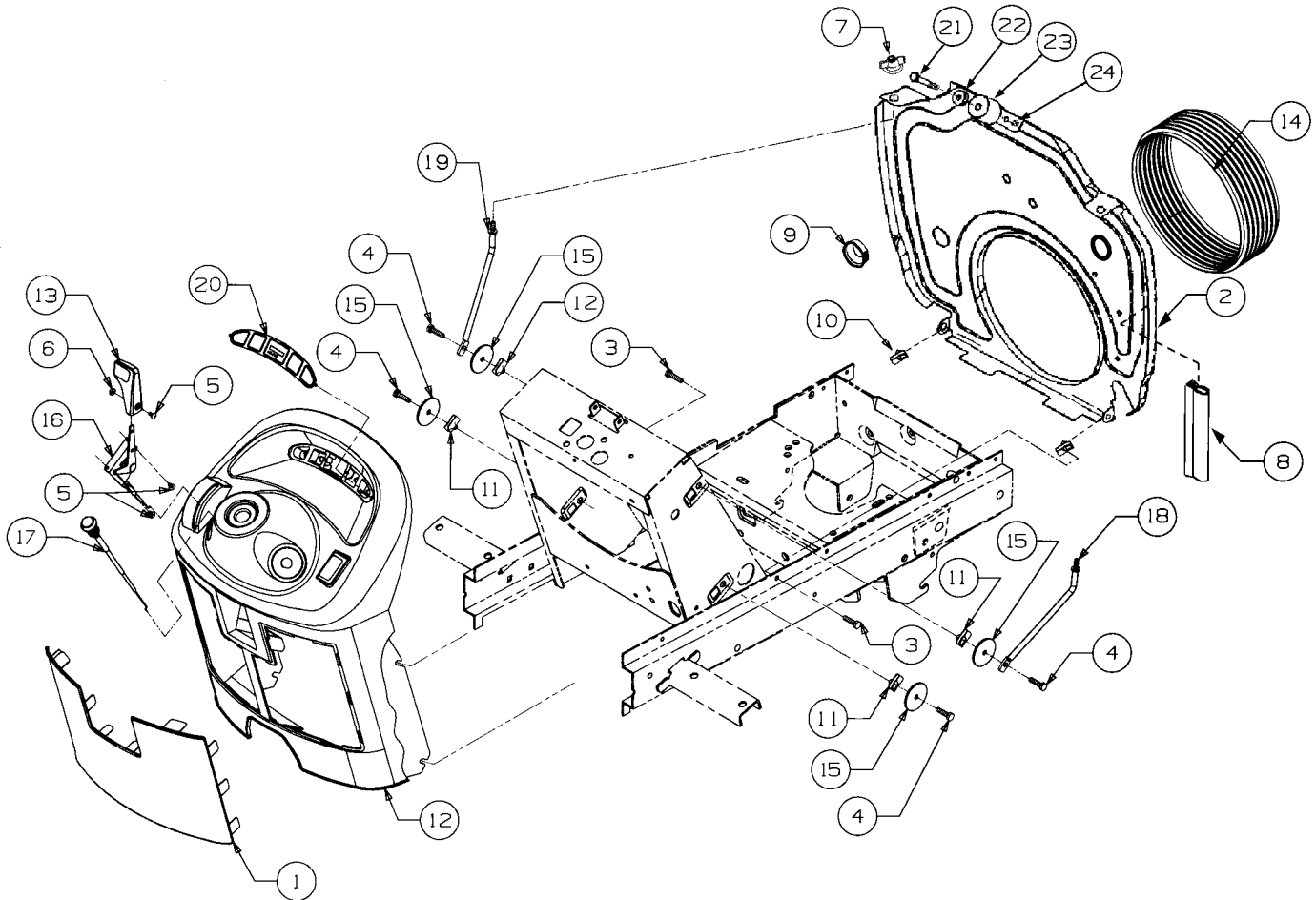
\* Indicates Parts In Overhaul Seal Kit

## NEUTRAL LINKAGE, HYDRAULIC PICKUP AND RETURN TUBES



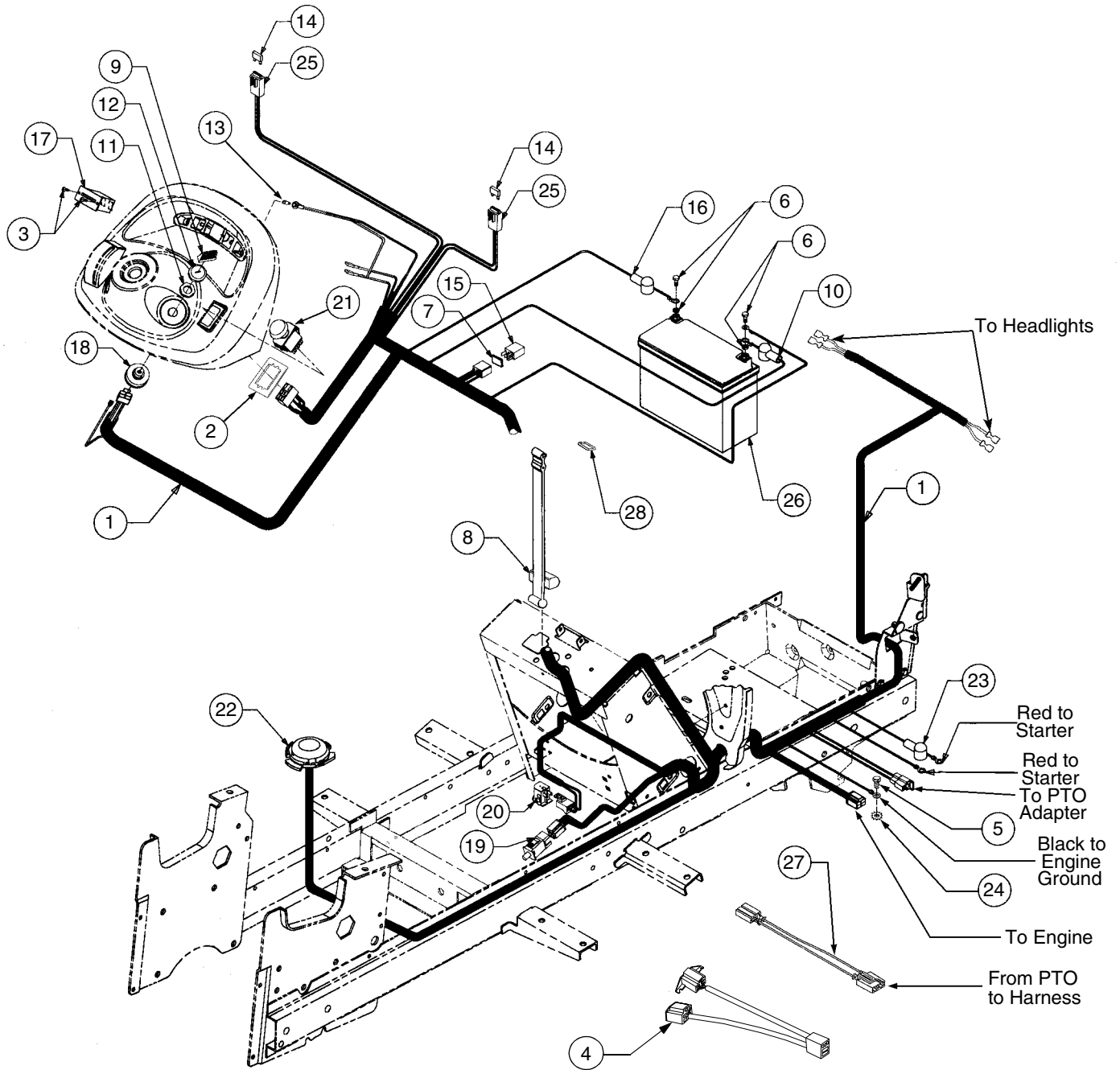
REF. NO.	PART NUMBER	DESCRIPTION	QTY.
1	603-0160	Arm Assembly, Control	1
2	703-2440	Bracket, Hydro Neutral	1
3	703-2441	Arm, Neutral	2
4	710-0106	Screw, Hex Cap, 1/4-20 x 1.25	1
5	710-0809	Screw, Hex Wash TT-Tap, 1/4-20 x 1.25	2
6	710-3242	Screw w/Patch, Set	1
7	712-0324	Nut, Hex Top Lock, 1/4-20	1
8	716-0111	Ring, Snap, .875 Shaft	1
9	723-3014	Filter, Oil	1
10	727-3002	Connector, Tube 37 Deg. w/O-Ring	1
	721-3001	O-Ring, 3/8 OD Tube	1
11	727-3086	Elbow, Adjustable w/O-Ring	1
	721-3002	O-Ring, 1/4 OD Tube	1
12	727-3088	Tube, Pickup	1
13	732-3119	Spring, Extension, .5 OD x 1.97 Lg	1
14	736-0176	Washer, Flat, .25 x .93 x .120 Thk	2
15	737-3022	Nipple, Oil Filter	1
16	750-0918	Spacer, Centering	1

## BULKHEAD, DASH PANEL AND ENGINE CONTROLS



REF. NO.	PART NUMBER	DESCRIPTION	QTY.	REF. NO.	PART NUMBER	DESCRIPTION	QTY.
1	703-2557	Screen, Intake Dash	1	13	731-3161	Knob, Throttle	1
2	703-3108A	Bulkhead, Lower	1	14	731-3317	Boot, Intake	1
3	710-0751	Screw, Hex Cap, 1/4-20 x .625	2	15	736-3128	Washer, Flat, .285 x 1.75 x .10	4
4	710-0597	Screw, Hex Cap, 1/4-20 x 1.0	4	16	746-3035	Control, Throttle	1
5	710-3217	Screw, Cross Rec Trus, #8-32 x .38	3	17	746-3051	Control, Choke	1
6	712-0142	Nut, #8-32	1	18	747-3226	Rod, RH Mounting	1
7	712-0397	Nut, Wing w/Bell Washer 1/4-20	2	19	747-3227	Rod, LH Mounting	1
8	720-3024	Seal, Push On Trim	1	20	777I20312	Label, Dash	1
9	723-3042	Bushing, Snap, 7/8 ID	1	21	710-0136	Screw, Hex Cap, 1/4-20 x 1.75 GR5	1
10	726-3048	Nut, U-Type Speed, 1/4-20	2	22	736-0342	Washer, Flat, .283 x .75 x .030	1
11	726-3054	Nut, U-Clip, 1/4-20	4	23	731-3232	Roller, Hood Latch	1
12	731-3137A	Panel, Dash	1	24	712-0271	Nut, Hex Sems, 1/4-20	1
	777I20306	Graphic, Ignition Switch	1				

# BATTERY, ELECTRICAL COMPONENTS AND SWITCHES





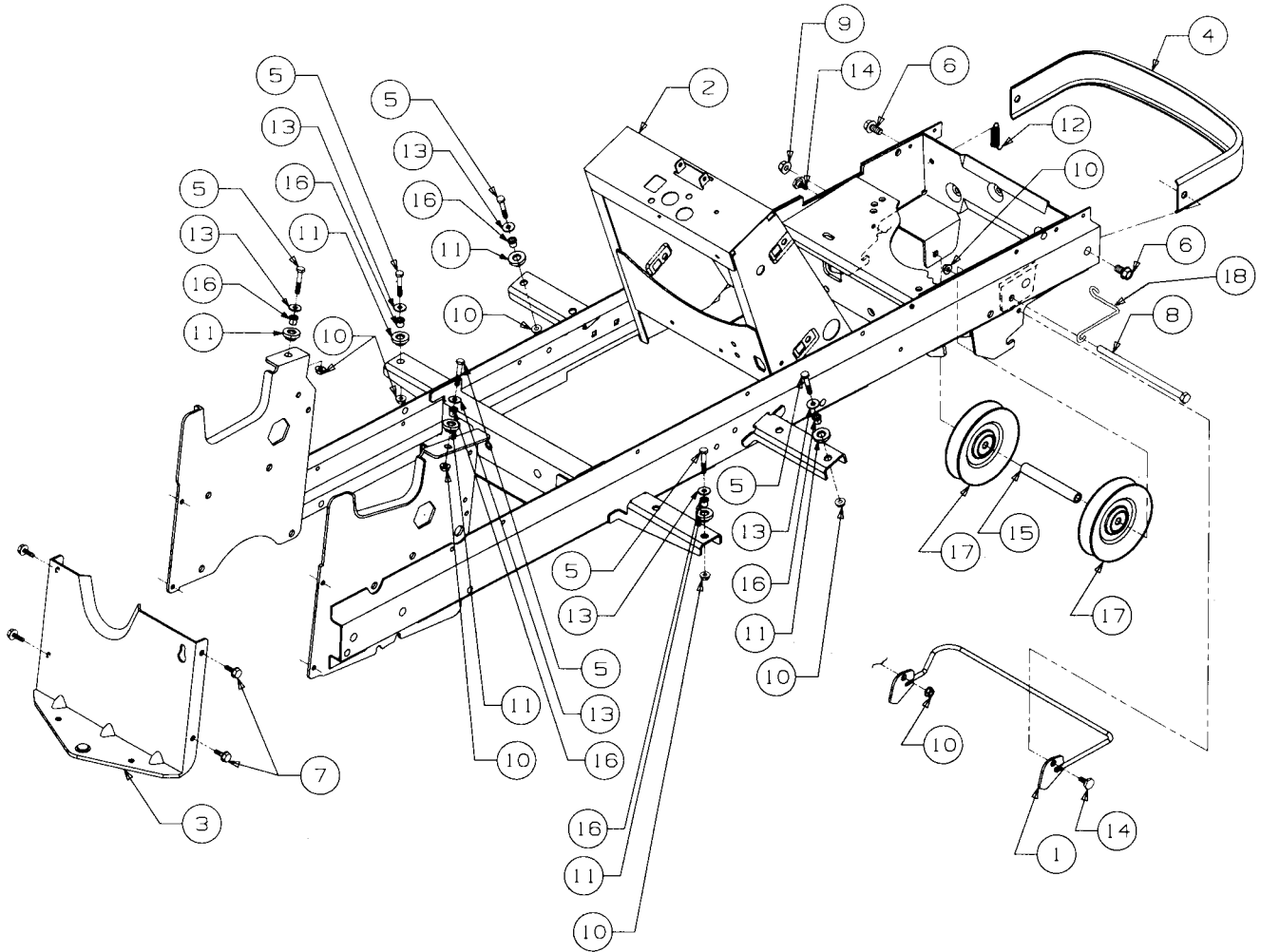
---

## BATTERY, ELECTRICAL COMPONENTS AND SWITCHES

REF. NO.	PART NUMBER	DESCRIPTION	QTY.
1	629-3068	Wire Harness, Main — Includes Ref. Nos. 7, 13, 14 (2) and 15	1
	725-0157	Tie, Self-Clinch Cable	4
	726-0154	Tie, Pushmount	5
	726-3055	Clip, Cable	9
2	783-0462	Bracket, PTO Switch Retainer	1
3	710-0936	Screw, Truss Hd Tapp, #6 x .62	2
4	629-3072A	Wire Harness, S.A.M.	1
5	710-0237	Screw, Hex Cap, 5/16-24 x .625 GR5	1
6		Battery Cable Hardware	
	710-3015	Screw	2
	712-0271	Sems Nut	2
7	721-0342	Gasket, Silicone	1
8	723-0445A	Strap, Battery Retainer	1
9	759-3476A	Key, Ignition (Set of 2)	1
10	725-0340	Cover, Terminal Black	1
11	725-1346	Nut, Ignition Switch	1
12	725-1347	Cap, Ignition Switch	1
13	725-1365	Bulb, Indicator	1
14	725-3243	Fuse, 25 Amp	2
15	725-1648	Relay	1
16	725-3007A	Cover, Terminal Red	1
17	725-3159	Hour Meter	1
18	725-3284	Switch, Ignition	1
19	725-3164A	Switch, Interlock (Brake)	1
20	725-3166	Switch, Snap Mount - Normally Closed	1
21	725-3233	Switch, PTO	1
22	725-3234	Switch, Seat	1
23	725-3237	Cover, Terminal Red	1
24	736-0607	Washer, External Lock, 5/16	1
25	729-0357	Holder, Fuse w/Mounting Clip	2
26	725-1707C	Battery	1
27	725-3242	Adapter, PTO Harness	1
28	732-0696	Hook, Wire Rectangular	1

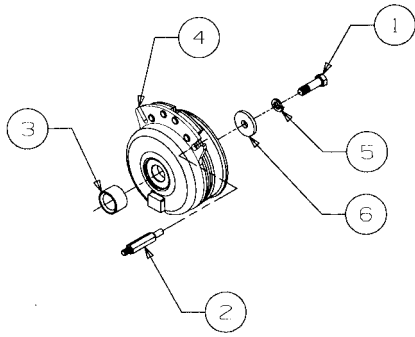
---

### FRAME AND DRAWBAR



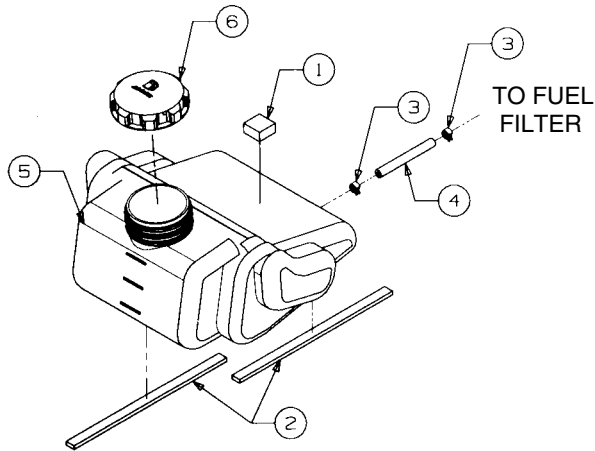
REF. NO.	PART NUMBER	DESCRIPTION	QTY.
1	603-0132	Rod, Quick Attach	1
2	603-0328A	Frame	1
3	703-2257	Drawbar	1
	777120296	Graphic, Transmission Release Lever	1
4	703-2577	Bumper	1
5	710-0597	Screw, Hex Cap, 1/4-20 x 1.0	6
6	710-0623	Screw, Hex Wsh Hd Tapp 3/8-16 x .75	2
7	710-1260A	Screw, Hex Wsh Hd Tap 5/16-18 x .75	4
8	710-3261	Screw, Hex Cap, 3/8-16 x 7.0	1
9	712-0431	Nut, Hex Flange Lock, 3/8-16	1
10	712-3027	Nut, Hex Flange Lock, 1/4-20	8
11	722-0258	Grommet, Insulator	6
12	732-3002	Spring, Latch	1
13	736-3090	Washer, Flat, .255 x .72 x .60	6
14	738-0255	Bolt, Shoulder	2
15	750-3114A	Spacer, Idler, .407 x .720 x 4.38	1
16	750-3169	Spacer, .28 x .40 x .42 Lg	6
17	756-3045	Pulley, Idler	2
18	732-0970	Belt Guide	1

## PTO CLUTCH



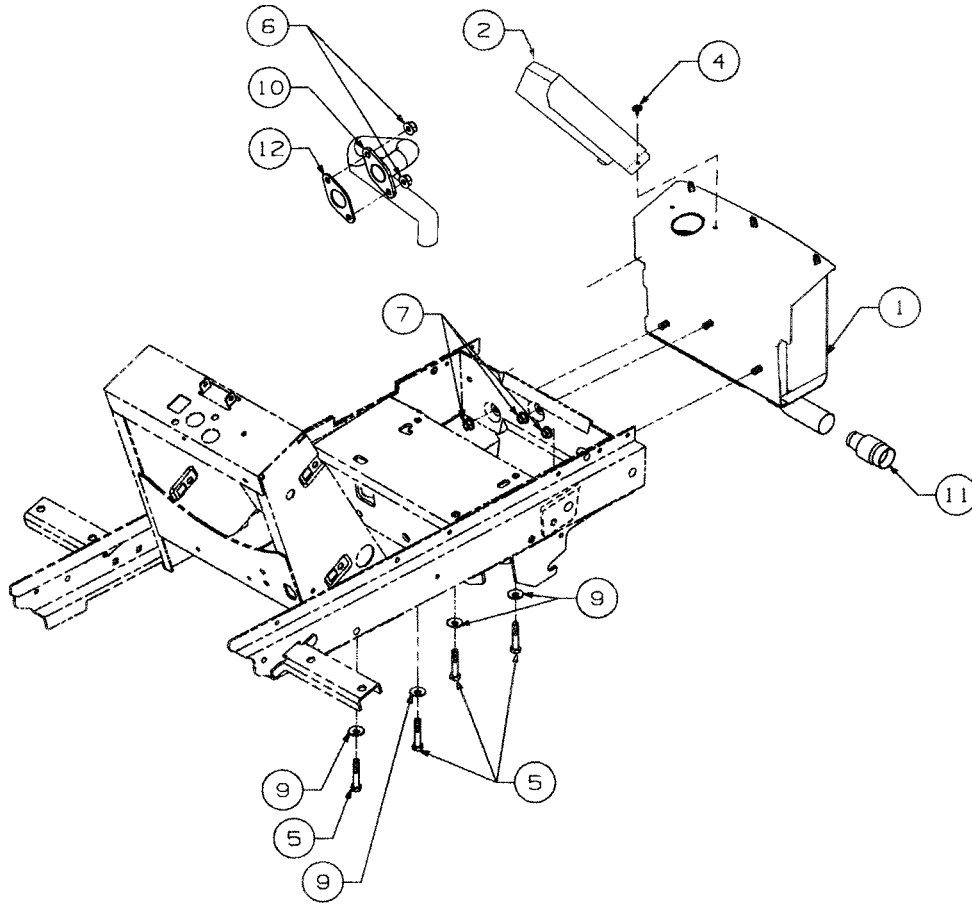
REF. NO.	PART NUMBER	DESCRIPTION	QTY.
1	710-1044	Screw, Hex Cap, 3/8-24 x 1.5 GR5	1
2	711-1197	Stud, Clutch Stop	1
3	711-3179	Spacer	1
4	717-3446	Clutch Assy, PTO	1
5	736-0169	Washer, Lock, 3/8	1
6	736-3082A	Washer, Flat, .445 x 1.5 x 1.72 Hdn	1

## FUEL TANK



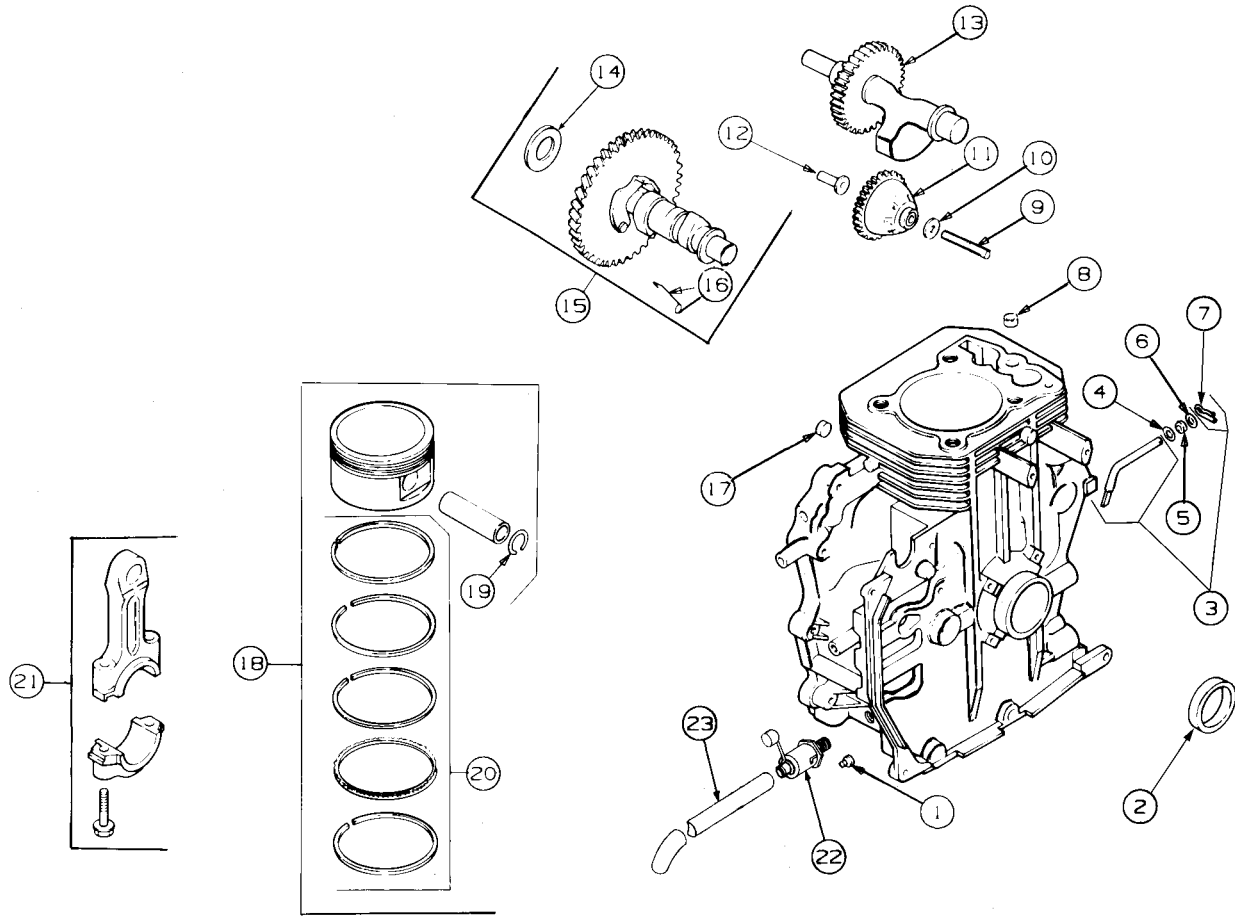
REF. NO.	PART NUMBER	DESCRIPTION	QTY.
1	722-3020	Foam, 1.25 Sq x .62 Thk	AR
2	722-3022	Tape, Foam, .625 Wide x .25 Thk	AR
3	726-0205	Clamp, Hose	2
4	759-3330	Line, Fuel, 72" (Shipped In 10ft Length)	1
5	751-3112	Tank, Fuel	1
6	751-3124B	Cap, Fuel	1
†	723-3066	Insulator, Foam Fuel Line	1

### ENGINE MOUNTING AND MUFFLER



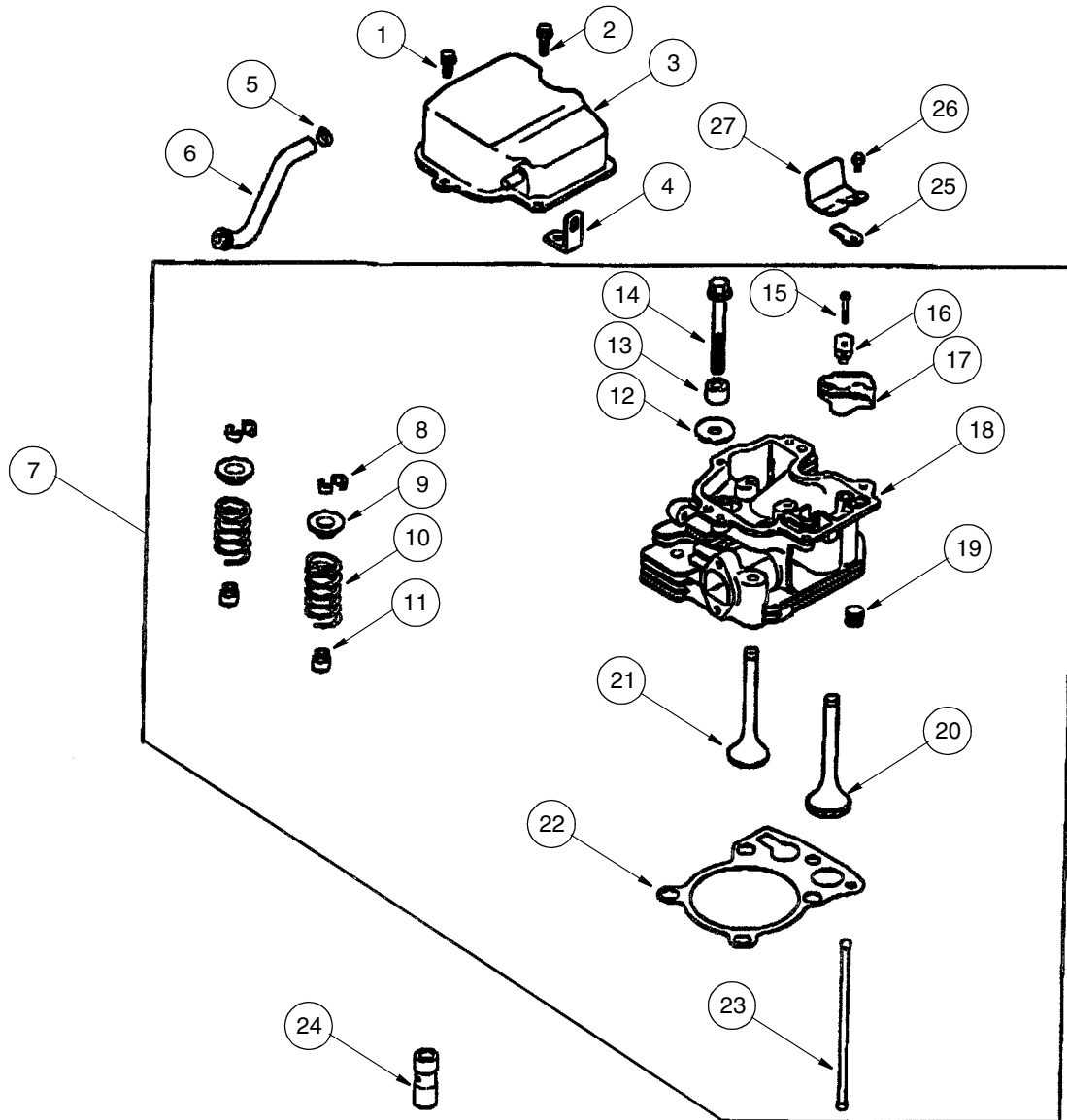
REF. NO.	PART NUMBER	DESCRIPTION	QTY.
1	651-3001	Muffler Assembly	1
2	703-3099	Shield, Muffler Tube	1
4	710-1268	Screw, Hex Wsh Hd Tap, #10-16 x .38	2
5	710-3290	Bolt, Eng Mount, 3/8-16 x 1.25	4
6	712-3086	Nut, Exhaust, M8 x 1.25	2
7	712-3004A	Nut, Hex Flange Lock, 5/16-18	3
9	736-0105	Washer, Bell, .401 x .870 x .063	4
10	751-0653	Tube, Exhaust	1
11	759-3744	Arrestor, Spark	1
12	721-0375	Gasket, Exhaust	1

## CRANKCASE



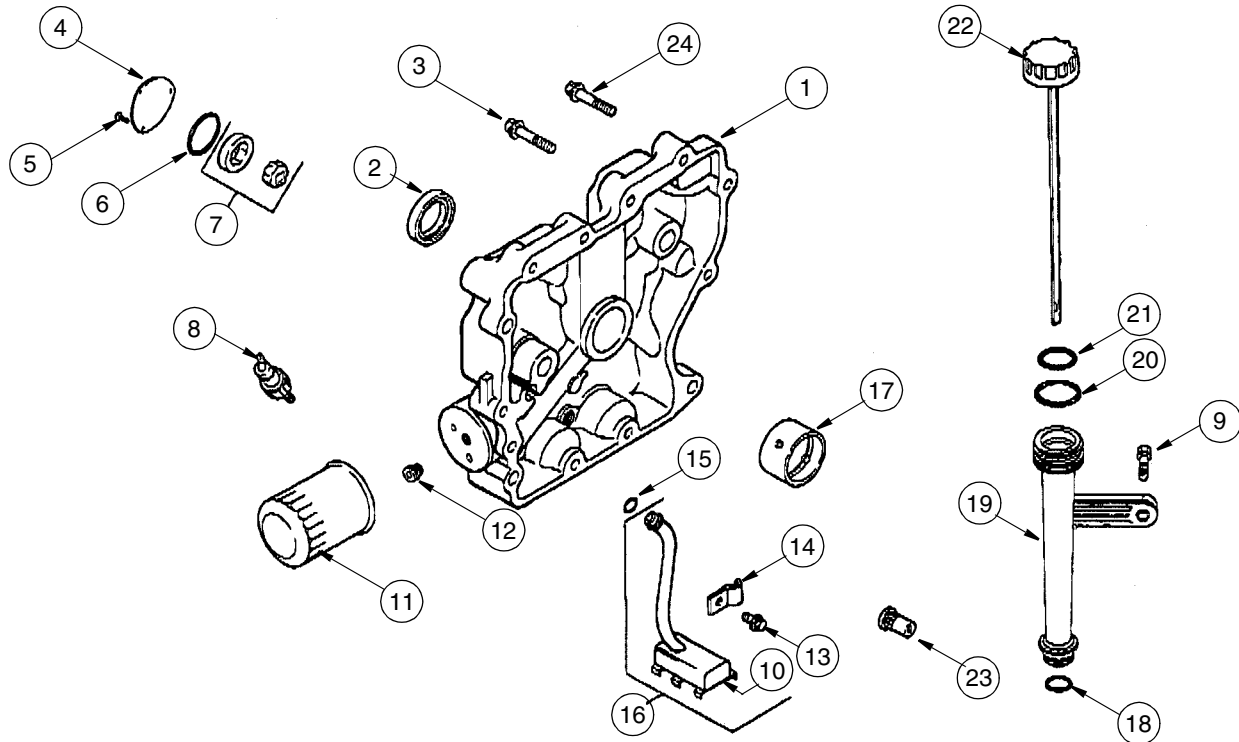
REF. NO.	PART NUMBER	DESCRIPTION	QTY.	REF. NO.	PART NUMBER	DESCRIPTION	QTY.
1	KH-X-75-10	Plug, Solid Sq. Head, 3/8 NPTF	2	15	KH-12-755-49	Camshaft Assy, (Incl. Ref #14,16)	1
2	KH-12-032-03	Seal, Crankshaft	1	16	KH-12-089-31	Spring, Actuating	1
3	KH-12-755-64	Kit, Gov. Cross Shaft (Incl. Ref #7)	1	17	KH-52-139-09	Plug, Cup	1
4	KH-M-631015	Washer, Governor Shaft, 6mm	1	18	KH-12-874-07	Piston w/Ring Set, Std	1
5	KH-12-032-01	Seal, Governor Cross Shaft	1		KH-12-874-11	Piston w/Ring Set, .08mm O.S.	1
6	KH-X-25-102	Washer, Plain, 1/4	1		KH-12-874-08	Piston w/Ring Set, .25mm O.S.	1
7	KH-12-154-05	Pin, Governor Hitch	1		KH-12-874-09	Piston w/Ring Set, .50mm O.S.	1
8	KH-12-380-17	Dowel, Locating	4	19	KH-12-018-02	Retainer, Piston Pin	2
9	KH-12-144-02	Shaft, Governor Gear	1	20	KH-12-108-07	Ring Set, Std.	1
10	KH-M-631005	Washer, Governor Gear Thrust	1		KH-12-108-08	Ring Set, .25mm	1
11	KH-12-043-05	Gear, Governor Assy	1		KH-12-108-09	Ring Set, .50mm	1
12	KH-12-380-01	Pin, Governor Regulating	1	21	KH-12-067-05	Rod, Connecting, Std	1
13	KH-12-144-26	Shaft, Balance	1		KH-12-067-06	Rod, Connecting, .25mm	1
14	KH-12-422-07	Shim,Camshaft, .0280 (White)	AR	22	751-3140	Drain, Oil	1
	KH-12-422-08	Shim,Camshaft, .0300 (Blue)	AR	23	751-3141-12	Hose, Oil Drain	1
	KH-12-422-09	Shim,Camshaft, .0320 (Red)	AR				
	KH-12-422-10	Shim,Camshaft, .0340 (Yellow)	AR		KH-12-755-82	Gasket Set	1
	KH-12-422-11	Shim,Camshaft, .0360 (Green)	AR		KH-45509	Engine Complete	1
	KH-12-422-12	Shim,Camshaft, .0380 (Grey)	AR		KH-12-522-39	Short Block	1
	KH-12-422-13	Shim,Camshaft, .0400 (Black)	AR				

### CYLINDER HEAD, VALVES AND BREATHER



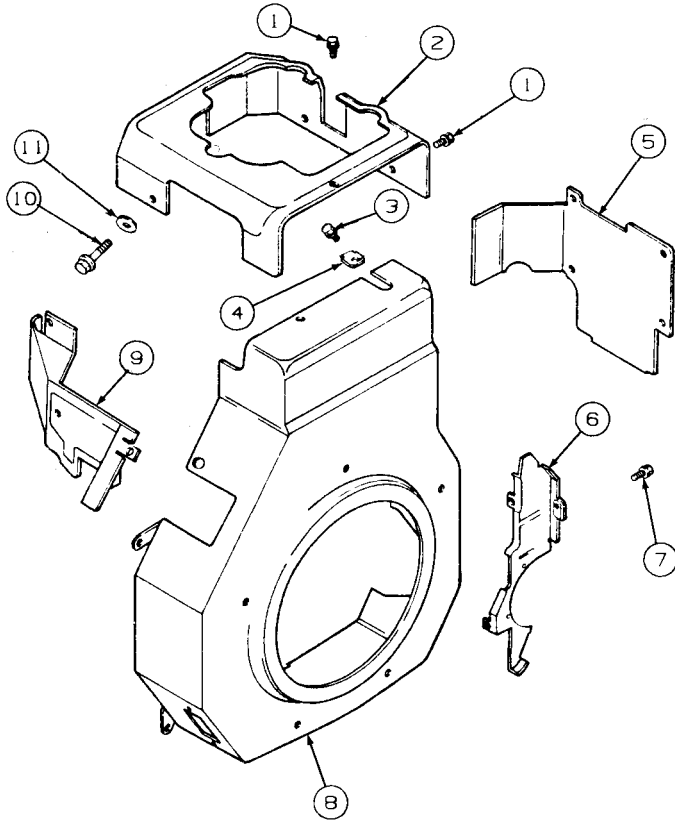
REF. NO.	PART NUMBER	DESCRIPTION	QTY.	REF. NO.	PART NUMBER	DESCRIPTION	QTY.
1	KH-M-0645020	Screw, Hex Flange, M6 x 1 x 20	4	15	KH-M-0640034	Screw, Hex Flange, M6 x 1 x 34	2
2	KH-M-0645025	Screw, Hex Flange, M6 x 1 x 25	1	16	KH-12-599-03	Pivot, Rocker Arm	2
3	KH-12-096-07	Cover, Valve w/Nipple	1	17	KH-25-186-01	Arm, Rocker	2
4	KH-12-445-05	Strap, Lifting	1	18	KH-12-318-19	Head, Cylinder	1
5	KH-X-426-9	Clamp, Hose	1	19	KH-X-75-23	Plug, Allen Head, 1/8" Pipe	1
6	KH-12-326-09	Hose, Breather	1	20	KH-12-017-01	Valve, Intake (Std.)	1
7	KH-12-755-81	Kit, Cyl Head, (Includes #8-23, KH-12-041-01, KH-12-041-02, and KH-12-041-03 Gaskets)	1		KH-12-017-02	Valve, Intake (.25mm)	1
8	KH-12-755-03	Kit, Retainer	2	21	KH-12-016-01	Valve, Exhaust (Std.)	1
9	KH-12-173-01	Cap, Valve Spring	2		KH-12-016-02	Valve, Exhaust (.25mm)	1
10	KH-12-089-01	Spring, Valve	2	22	KH-12-041-10	Gasket, Cylinder Head	1
11	KH-24-032-05	Seal, Valve Stem	2	23	KH-12-411-01	Rod, Push	2
12	KH-12-468-05	Washer, Plain, 13/32"	1	24	KH-25-351-01	Lifter, Valve	2
13	KH-12-112-13	Spacer, Head Bolt Exhaust Port	1	25	KH-12-402-02	Reed, Breather	1
14	KH-12-086-15	Screw, Hex Flange, M10 x 1.5 x 81	5	26	KH-M-0545010	Screw, Hex Flange, M5 x .8 x 10	1
				27	KH-12-018-03	Retainer, Breather Reed	1

## OIL PAN AND LUBRICATION



REF. NO.	PART NUMBER	DESCRIPTION	QTY.	REF. NO.	PART NUMBER	DESCRIPTION	QTY.
1	KH-12-009-51	Plate Assembly, Closure (Incl. Ref #4-7,17, 23)	1	13	KH-M-545016	Screw, Oil Pick-Up, M5 x .8 x 16	1
2	KH-12-032-03	Seal, Oil (PTO End)	1	14	KH-52-154-01	Clip, Oil Tube	1
3	KH-24-086-16	Screw, Closure Plate, M8x1.25x45	11	15	KH-12-153-04	O-Ring, Oil Pick-Up	1
4	KH-12-096-21	Cover, Oil Pump	1	16	KH-12-755-73	Kit, Oil Pick-Up (Incl. Ref #10)	1
5	KH-M-545016	Screw, Oil Pump Cover, M5x.8x16	3	17	KH-12-030-05	Bearing, Thrust	1
6	KH-12-153-05	O-Ring, Oil Pump	1	18	KH-12-153-07	O-Ring, Lower Oil Fill Tube	1
7	KH-12-393-01	Pump Assembly, Oil	1	19	KH-12-123-22	Tube, Oil Fill	1
8	KH-25-099-24	Switch, Oil Pressure	1	20	KH-12-153-02	O-Ring, Upper Oil Fill Tube	1
9	KH-M-0545016	Screw, Hex Flange M5 x 0.8 x 16	1	21	KH-12-153-03	O-Ring, Dipstick Cap	1
10	KH-25-381-01	Pick-up, Oil Screen	1	22	KH-12-038-08	Cap/Dipstick, Oil Fill	1
11	KH-12-050-08	Filter, Oil	1	23	KH-25-462-09	Valve, Oil Pressure Relief	1
12	KH-24-136-01	Nipple, Oil Filter	1	24	KH-24-086-17	Screw, Hex Flange M8 x 1.25 x 45	1

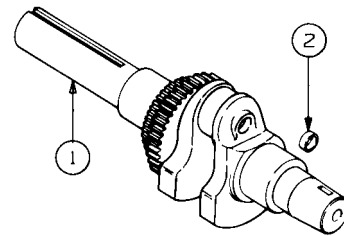
## BLOWER HOUSING AND BAFFLES



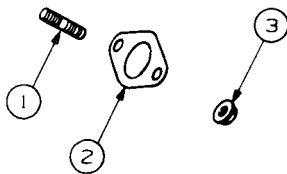
REF. NO.	PART NUMBER	DESCRIPTION	QTY.
1	KH-M-0545010	Screw, Hex Flange, M5 x .8 x 10	5
2	KH-12-063-08	Baffle, Cylinder Head	1
3	KH-M-0645016	Screw, Hex Flange, M5 x .8 x 16	3
4	KH-25-154-02	Clip, Mounting	3
5	KH-12-063-15-S	Baffle, Cylinder	1
6	KH-12-146-07	Plate, Blower Housing	1
7	KH-12-086-37	Screw, w/Washer M5 x .8 x 20	3
8	KH-12-027-55	Housing, Blower	1
9	KH-12-063-05	Baffle, Intake Side	1
10	KH-24-086-18	Screw, Hex Head	2
11	KH-X-25-92	Washer, Plain	2
12	KH-24-468-10	Washer, Plain 1/4"	1

## CRANKSHAFT

REF. NO.	PART NUMBER	DESCRIPTION	QTY.
1	KH-12-014-37	Crankshaft (Incl. Ref #2)	1
2	KH-12-139-01	Plug, Cup	1



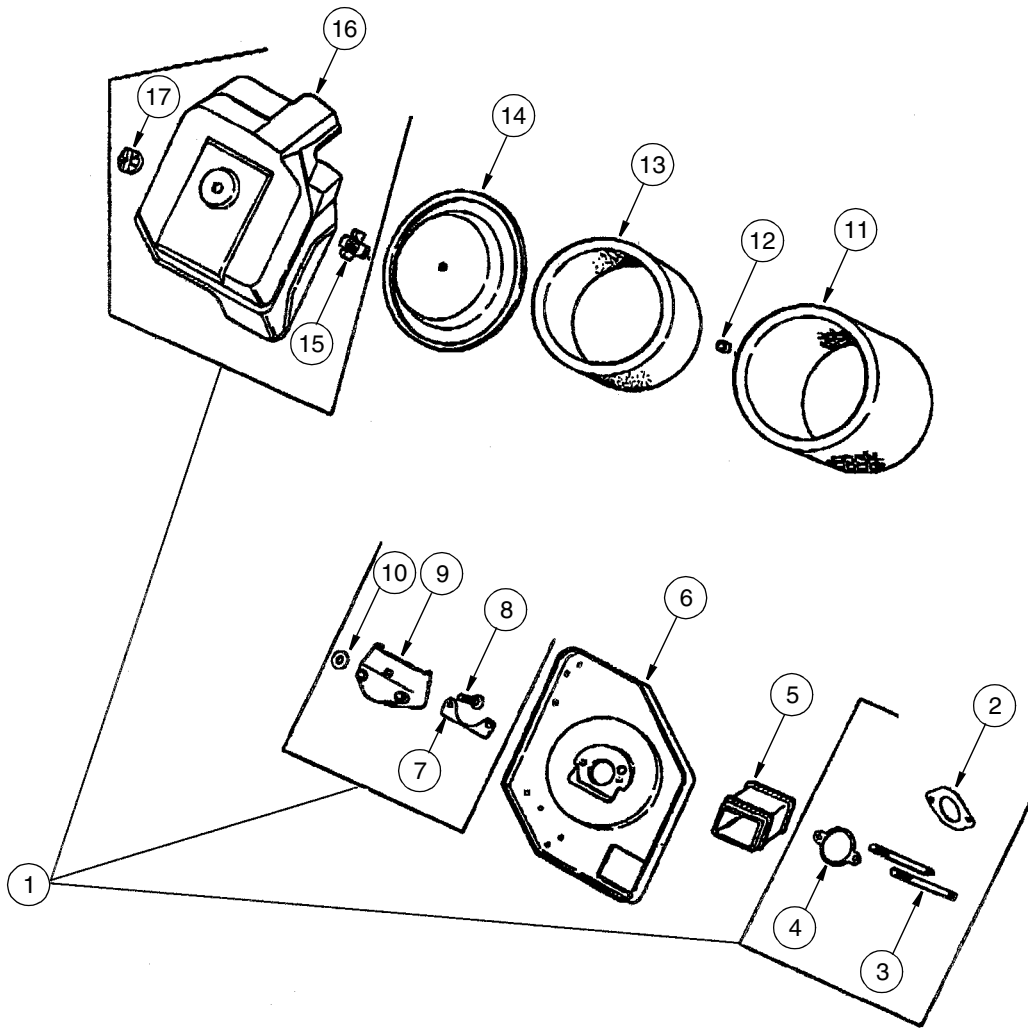
## EXHAUST



REF. NO.	PART NUMBER	DESCRIPTION	QTY.
1	KH-25-072-04	Stud, Exh Manifold, M8 x 1.25 x 33	2
2	721-0375	Gasket, Exhaust Manifold	1
3	712-3086	Nut, Muffler, M8 x 1.25	2

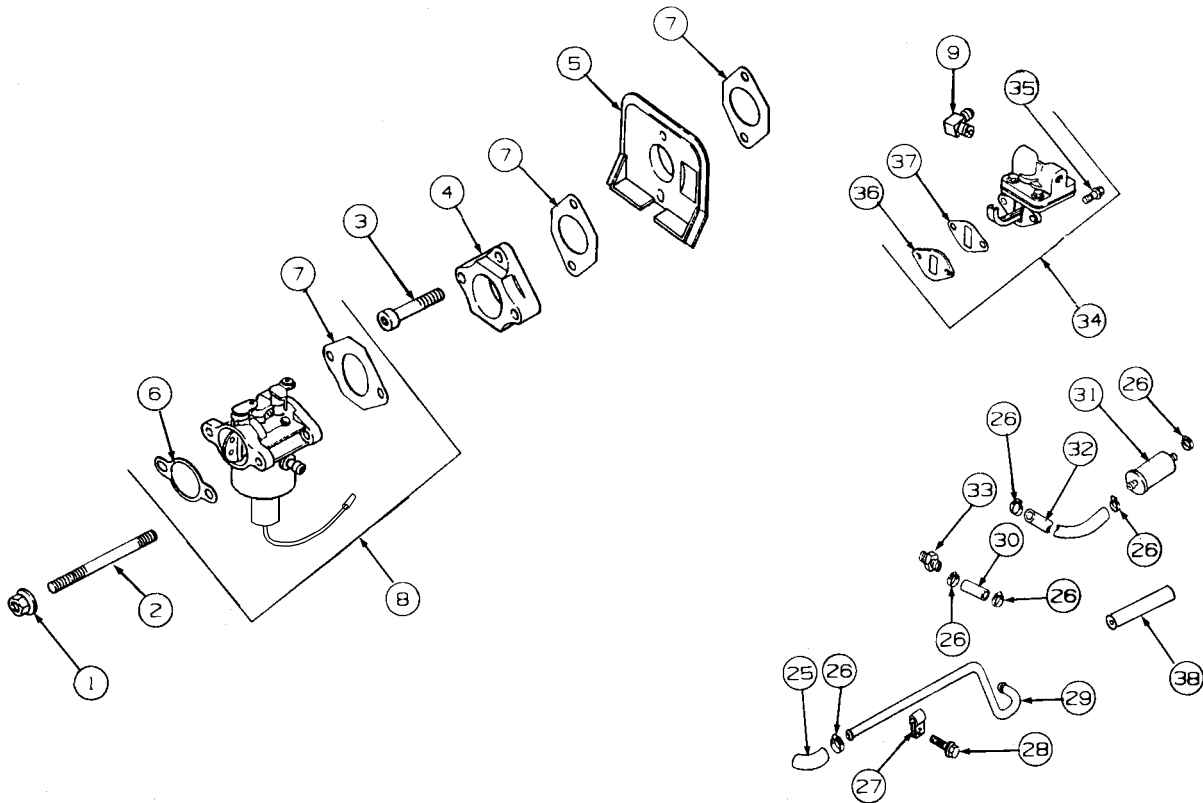


## AIR INTAKE AND FILTER



REF. NO.	PART NUMBER	DESCRIPTION	QTY.
1	KH-12-755-84	Kit, Fuel Recovery (Incl. Ref #2-4, 7-10, 13, 15-18)	1
2	KH-12-041-01	Gasket, Carburetor	1
3	KH-M-0629116	Stud, M6 x 1.0 x 116	2
4	KH-12-041-02	Gasket, Air Cleaner	1
5	KH-12-123-07	Tube, Air Cleaner	1
6	KH-12-094-06	Base, Air Cleaner	1
7	KH-12-041-09	Gasket, Collector Plate	1
8	KH-12-211-02	Bolt, Carriage, M6 x 1.0 x 22	1
9	KH-12-109-08	Cup, Fuel Spit Back	1
10	KH-12-018-04	Retainer, Ring	1
11	759-3547	Element, Air Cleaner	1
12	KH-24-032-03	Seal, Inner Air Cleaner	1
13	KH-52-083-01	Pre-Cleaner, Element	1
14	KH-12-096-37	Cover, Air Cleaner Element	1
15	KH-12-100-01	Wingnut, Element Cover	1
16	KH-12-096-41	Cover, Air Cleaner Base	1
17	KH-25-341-03	Knob, Air Cleaner Cover	1

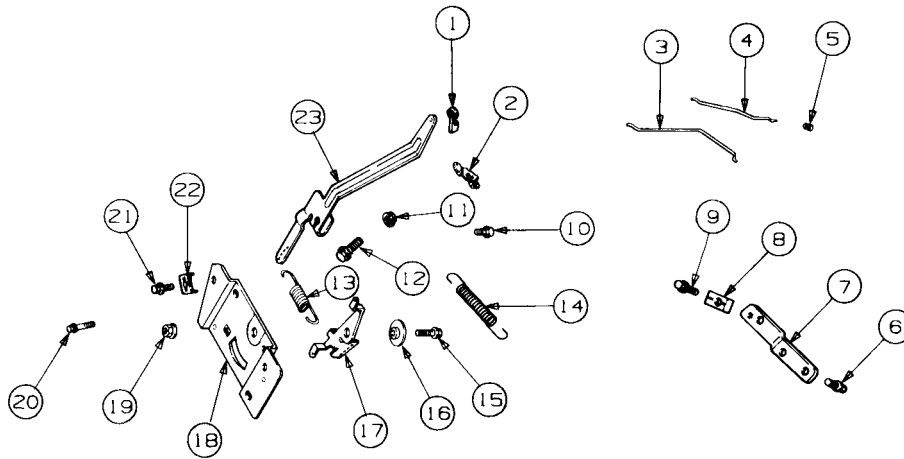
## FUEL SYSTEM



REF. NO.	PART NUMBER	DESCRIPTION	QTY.	REF. NO.	PART NUMBER	DESCRIPTION	QTY.
1	KH-M-0641060	Nut, Hex Flange, M6 x 1.0	2	37	KH-25-041-09	Gasket, Fuel Pump	2
2	KH-M-0629116	Stud, Carburetor, M6 x 1.0 x 116	2	38	723-3066-24	Insulation, Fuel Line	1
3	KH-M-0644035	Screw, Socket Cap, M6 x 1.0 x 35	2	<b>NOT SHOWN</b>			
4	KH-12-029-04	Adapter, Carburetor	1		KH-12-757-02	Kit, Float Assembly	1
5	KH-12-265-04	Deflector, Heat	1		KH-12-757-03	Kit, Carburetor Repair —	1
6	KH-12-041-02	Gasket, Air Filter	1		KH-12-041-01	Includes Gasket,	
7	KH-12-041-01	Gasket, Carburetor	3		KH-12-041-02	Carburetor Gasket,	
8	KH-12-853-93	Kit, Carb w/Gskts [Incl. Ref #6, 7(1), KH-12-454-01(Wire Tie) and KH-25-452-20 (Terminal)]	1		KH-12-041-05	Air Filter Base Gasket,	
9	KH-25-155-02	Connector, Hose, 90°	1		KH-12-041-06	Fuel Bowl Gasket, Bowl Screw	
25	KH-12-353-07	Line, 90° Fuel	1		KH-12-757-08	Kit, Choke Repair — Includes	1
26	KH-X-426-9	Clamp, Fuel Line	6		KH-12-144-17	Shaft Assembly, Choke	
27	KH-X-728-1	Clip, Tube	1		KH-12-146-12	Plate, Choke	
28	KH-M-0545010	Screw, Hex Flange, M5 x .8 x 10	1		KH-12-158-01	Bushing, Choke	
29	KH-12-353-11	Line, Metal Fuel	1		KH-12-173-06	Cap, Choke Lever	
30	KH-12-353-01	Line, Fuel, 1 1/4	1		KH-25-086-27	Screw, Valve (2)	
31	KH-25-050-02	Filter, Fuel	1		KH-12-757-33	Kit, Solenoid Repair — Includes	1
32	KH-25-353-08	Line, Fuel, 5"	1		KH-12-041-06	Gasket, Bowl Screw	
33	KH-X-380-1	Connector, Straight Hose	1		KH-12-454-01	Tie, Wire	
34	KH-12-559-01	Kit, Fuel Pump (Incl. 35, 36, 37)	1		KH-25-452-20	Terminal	
35	KH-M-0645020	Screw, Hex Flange, M6 x 1 x 20	2	†	KH-M-05610101	Screw, Thrd Forming M5 x .8 x 10	1
36	KH-12-112-05	Spacer, Fuel Pump	1	†	KH-X-22-11	Washer, Lock 1/4"	

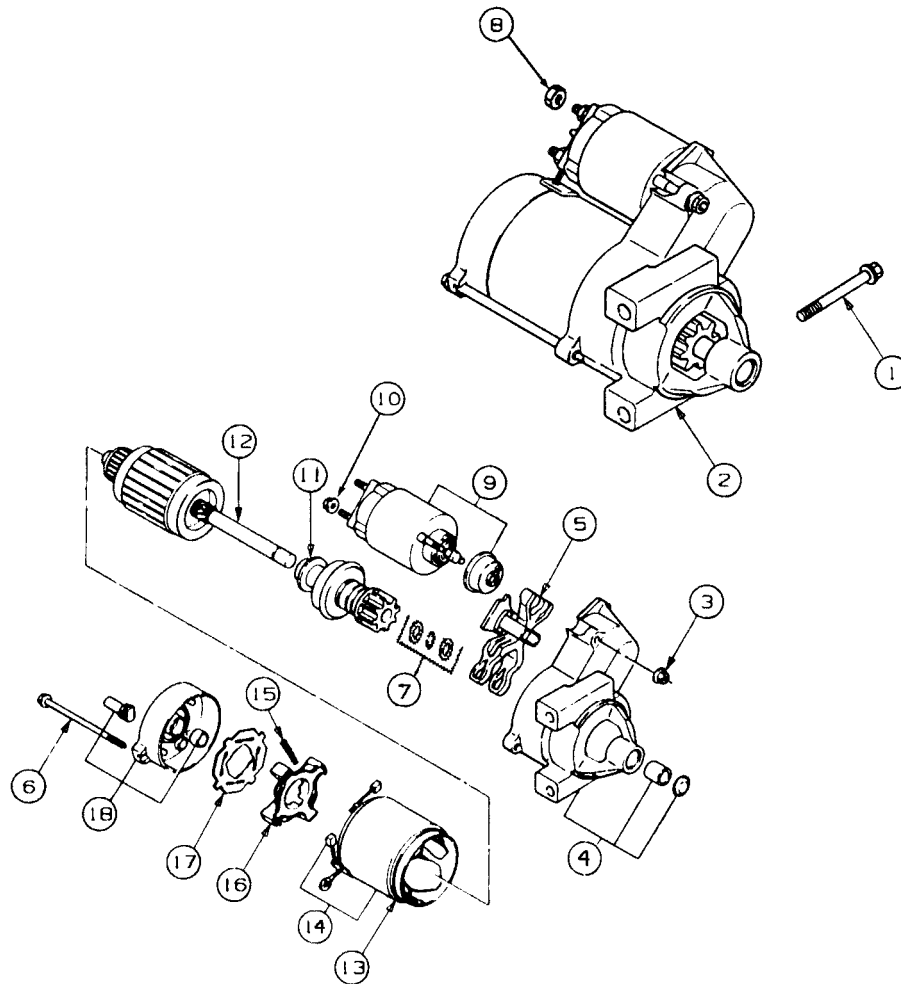
† Used to Attach Carburetor Ground Lead

## ENGINE CONTROLS



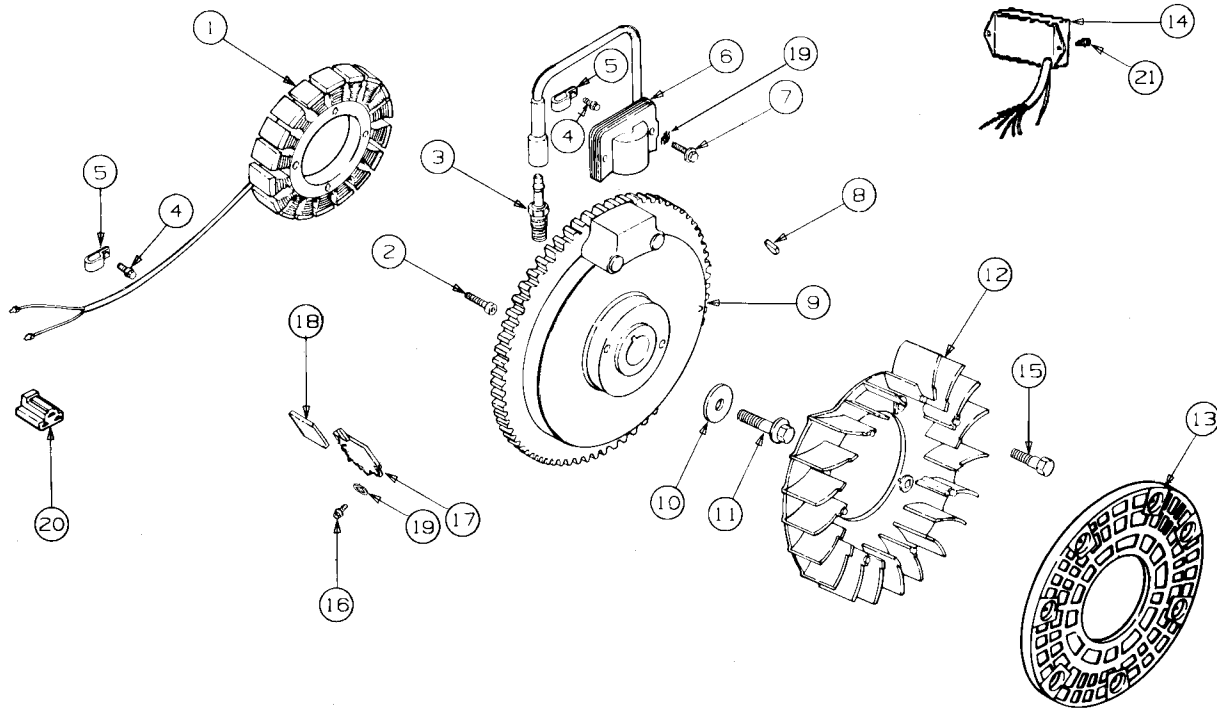
REF. NO.	PART NUMBER	DESCRIPTION	QTY.
1	KH-25-158-11	Bushing, Throttle	1
2	KH-12-090-14	Lever, Choke, Upper	1
3	KH-12-079-08	Linkage, Choke, Upper	1
4	KH-12-079-04	Linkage, Throttle	1
5	KH-25-158-08	Bushing, Linkage	1
6	KH-M-0545010	Screw, Bracket, M5 x .8 x 10	2
7	KH-12-126-15	Bracket, Choke Mount	1
8	KH-12-237-01	Clamp, Cable	1
9	KH-M-0545016	Screw, Clamp, M5 x .8 x 16	1
10	KH-M-0545010	Screw, M5 x .8 x 10	1
11	KH-M-0641060	Nut, M6 x 1	1
12	KH-M-0642025	Screw, Governor Arm, M6 x 1 x 25	1
13	KH-12-089-17	Spring, Governor	1
14	KH-230117	Spring, Linkage	1
15	KH-M-0545016	Screw, Throttle Cntrl, M5 x .8 x 16	1
16	KH-12-112-07	Spacer, Throttle Control	1
17	KH-12-090-13	Lever, Throttle Control	1
18	KH-12-146-05	Plate, Control	1
19	KH-M-0541050	Nut, Hex, M5 x .8	1
20	KH-M-0664020	Screw, Control Plate, M6 x 1 x 20	2
21	KH-M-0545016	Screw, Cable Clamp, M5 x .8 x 16	2
22	KH-12-237-01	Clamp, Cable	2
23	KH-12-090-19	Lever, Governor	1

## STARTING SYSTEM



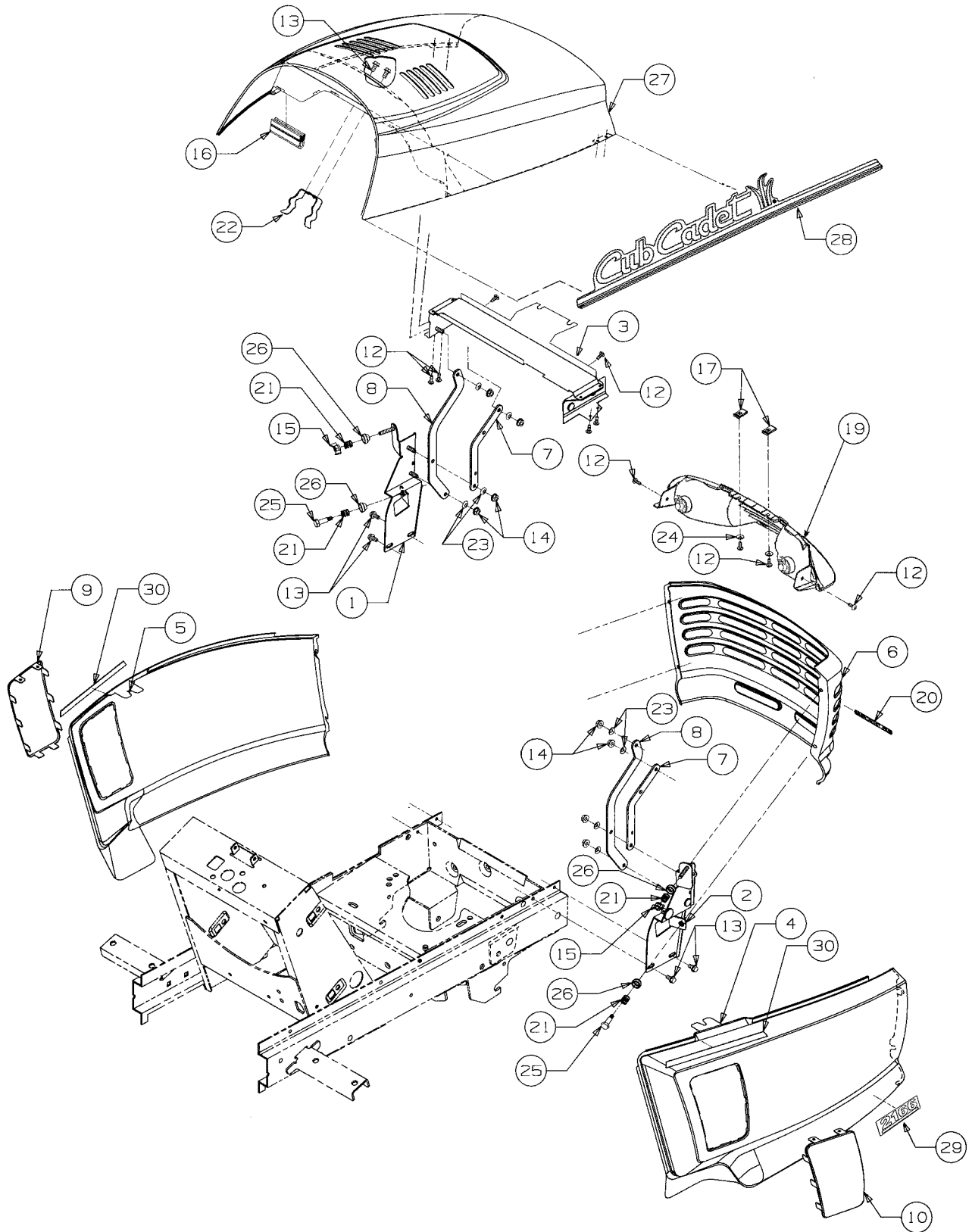
REF. NO.	PART NUMBER	DESCRIPTION	QTY.	REF. NO.	PART NUMBER	DESCRIPTION	QTY.
1	KH-M-839080	Screw, Bendix, M8 x 1.25 x 80.6	2	10	KH-52-100-09	Nut, Starter	1
2	KH-24-098-01	Starter, (Incl. Ref #3-19)	1	11	KH-12-239-01	Drive, Pinion	1
3	KH-52-100-10	Nut, Starter	2	12	KH-12-170-04	Armature, Starter	1
4	KH-24-081-04	Cap, Drive End	1	13	KH-12-471-01	Frame	1
5	KH-12-090-10	Lever, Starter Drive	1	14	KH-52-221-01	Kit, Brush (Incl. Ref #15)	1
6	KH-52-211-05	Bolt, Thru	2	15	KH-52-090-09	Spring, Brush	4
7	KH-24-755-84	Kit, Starter Repair	1	16	KH-52-323-03	Holder, Brush	1
8	KH-M-0841080	Nut, Hex Flange, M8 x 1.25	1	17	KH-52-168-01	Insulator	1
9	KH-52-435-02	Solenoid	1	18	KH-24-301-01	Cap, Commutator End	1

## IGNITION/ELECTRICAL



REF. NO.	PART NUMBER	DESCRIPTION	QTY.	REF. NO.	PART NUMBER	DESCRIPTION	QTY.
1	KH-237878	Kit, Stator, (Includes Ref #4 and KH-25-452-01 Terminal, Qty 2)	1	13	KH-12-162-05	Screen, Grass	1
2	KH-X-67-1	Screw, Stator Mntg, 10-24 x 3/4	4	14	KH-12-584-12	Module, Digital Speed Advance	1
3	759-3336	Spark Plug	1	15	KH-25-086-47	Bolt, Shoulder M6 x 1 x 16	4
4	KH-M-0545010	Screw, Harniess Clip, M5 x .8 x 10	2	16	KH-M-0639016	Screw, Rectifier, M6 x 1 x 16	2
5	KH-X-728-1	Clip, Cable	2	17	KH-41-403-09	Rectifier-Regulator	1
6	KH-12-584-14-S	Module, Ignition	1	18	KH-236602	Connector, Three Contact	1
7	KH-12-086-35-S	Screw, Ign Module, M4 x .7 x 4.0	2	19	KH-X-22-11	Washer, Lock, 1/4	1
8	KH-X-42-15	Key	1	20	KH-236473	Connector, Three Contact	1
9	KH-12-025-46-S	Flywheel Assembly	1	21	KH-M-461013	Screw, Pan Head, M4.2 x 13	2
10	KH-12-468-03	Washer, Flywheel	1	-	KH-12-518-29	Lead, Black, 6"	1
11	KH-12-086-14	Screw, Flywheel, M10 x 1.5 x 46	1	-	KH-M-0445010	Screw, Hex Flange M4 x.7 x 10 (To attach harness to baffle)	2
12	KH-12-157-03	Fan	1				

# GRILLE, HOOD AND SIDE PANELS



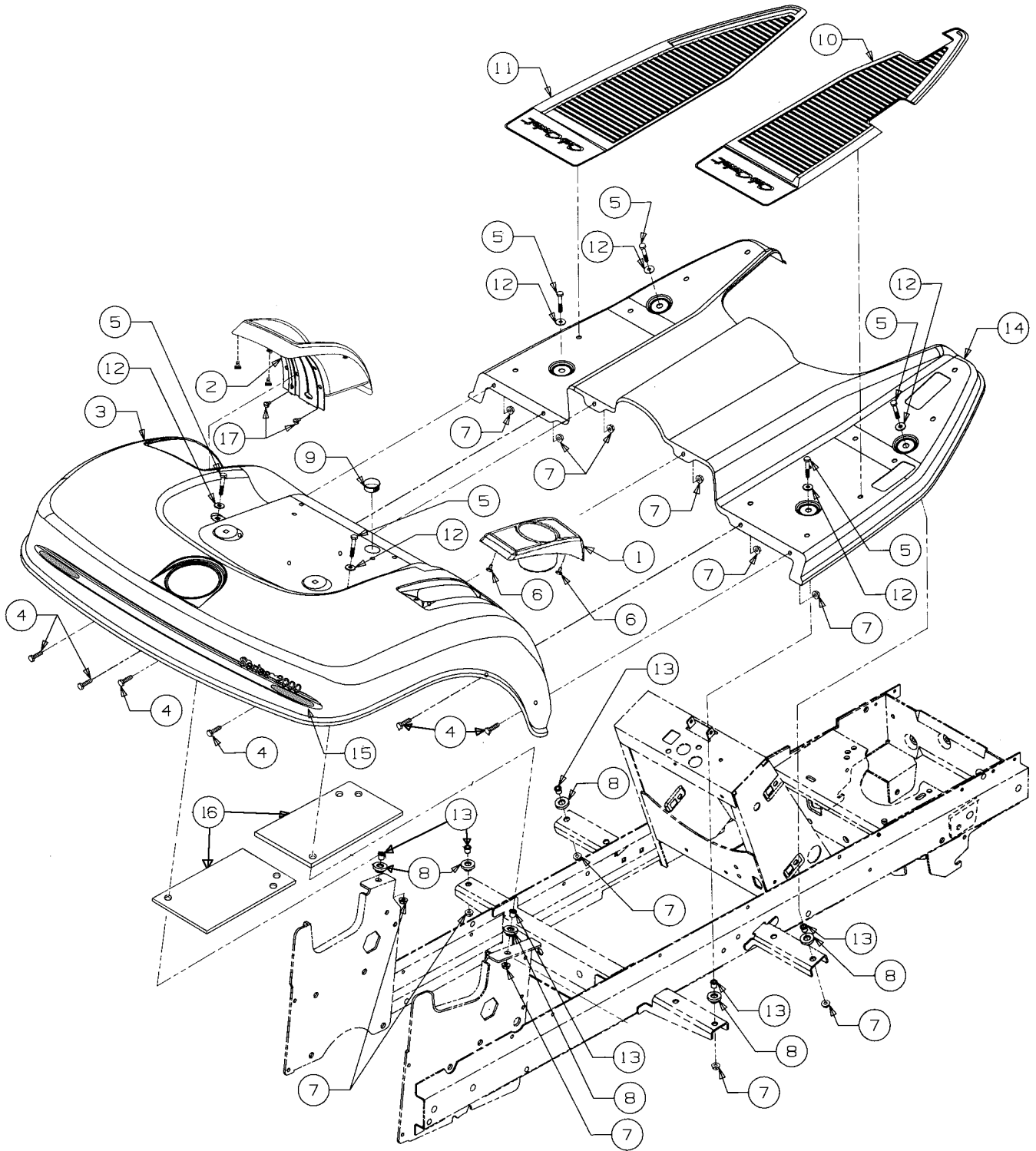
---

## GRILLE, HOOD AND SIDE PANELS

REF. NO.	PART NUMBER	DESCRIPTION	QTY.
1	603-0211	Bracket, Grille LH	1
2	603-0212	Bracket, Grille RH	1
3	603-0583	Bracket, Upper Hood	1
4	703-2396	Panel, RH Side	1
5	703-2397	Panel, LH Side	1
6	703-2398	Grille	1
7	703-2465	Link, Short Hood	2
8	703-2466A	Link, Long Hood	2
9	703-2495	Screen, LH Panel	1
10	703-2496	Screen, RH Panel	1
12	710-0351	Screw, Truss Mach Tapp, #10 x .50	8
13	710-0599	Screw, Hex Wash Hd Tapp, 1/4 x .50	6
14	712-3027	Nut, Hex Flange Lock, 1/4-20	8
15	712-3087	Nut, Wing, 1/4-20	2
16	723-3059	Seal, Heat Baffle	1
17	726-0139	Nut, U-Type Speed, #10	2
19	625-0053	Headlight Assy (Includes Lamp and Socket)	1
	725-0963	Lamp, 12V	2
	725-1649	Socket, Lamp	2
20	777I20314	Graphic, Warning HOT	1
21	732-0334	Spring, Compression, .50 OD x .50 Lg	4
22	732-0855A	Spring, Hood Latch	1
23	736-0175	Washer, Spring, .265 x .562 x .025	8
24	736-0400	Washer, Flat, .218 x .62 x .063	2
25	738-3141	Bolt, Shoulder, .31 Dia x .75 Lg	2
26	748-3055	Bushing, Tapered	4
27	959-3747	Hood, Series 2000	1
28	777D03263	Graphic, Hood RH	1
	777D03264	Graphic, Hood LH	1
29	777D03270	Graphic, 2166	2
30	777X40079	Strip, Protective	2

---

# FENDER AND RUNNING BOARD



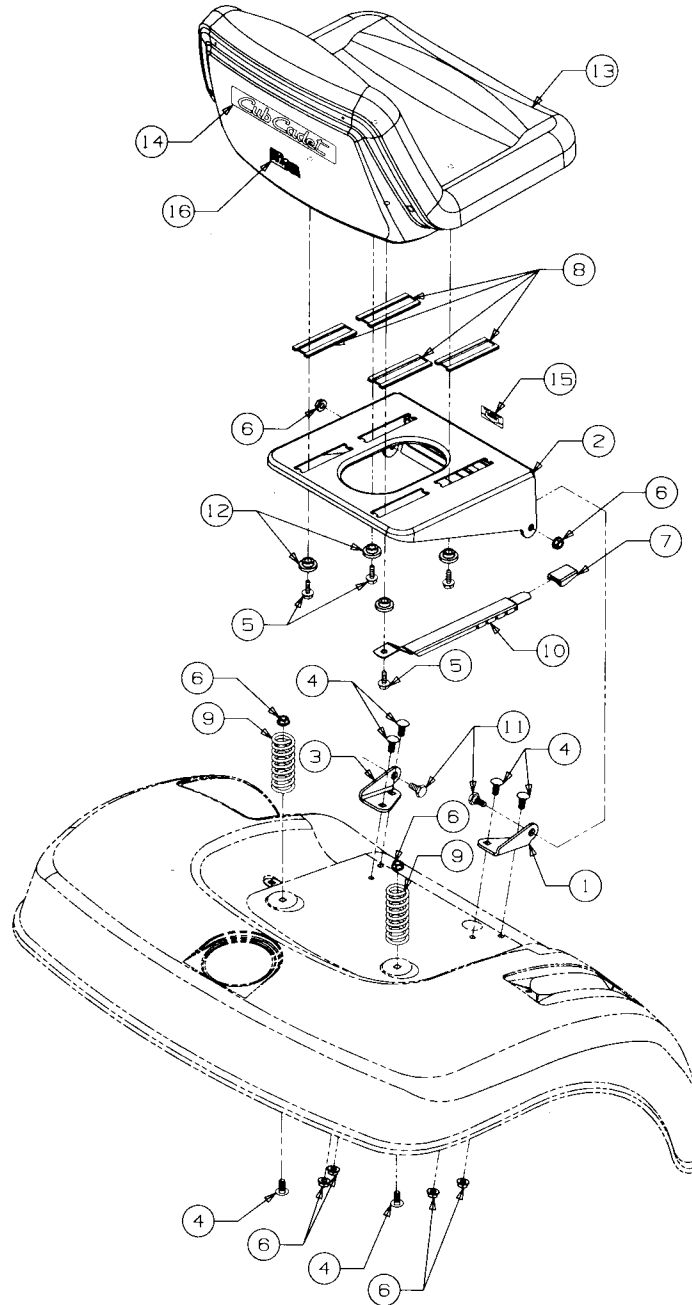


---

## FENDER AND RUNNING BOARD

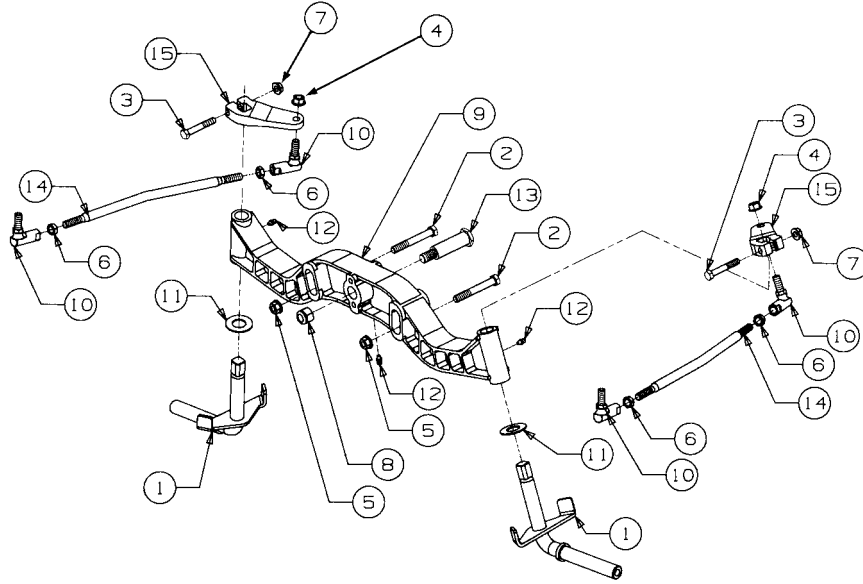
REF. NO.	PART NUMBER	DESCRIPTION	QTY.
1	731-3212	Cup Holder	1
2	631-3002	Cover, Implement Lift	1
3	703-2278B	Fender	1
4	710-0751	Screw, Hex Cap, 1/4-20 x .62	6
5	710-0597	Screw, Hex Cap, 1/4-20 x 1.0	6
6	710-1268	Screw, Hex Tapp, #10 x .38 Lg	2
7	712-3027	Nut, Hex Flange Lock, 1/4-20	12
8	722-0258	Grommet, Insulator	6
9	723-3042	Bushing, Snap, 7/8 ID	1
10	735-3046A	Pad, RH Foot	1
11	735-3047	Pad, LH Foot	1
12	736-3090	Washer, Flat, .255 x .72 x .06	6
13	750-3169	Spacer, .28 ID x .40 OD x .42 Lg	6
14	703-2279	Running Board w/Graphic	1
	777S30170	Graphic, Warning	1
15	777D04791	Graphic, Rear Fender	1
16	703-2628	Bracket, Fender Reinforcement	2
17	710-0224	Screw, Hex Tapp, #10-16 x .5	4

## SEAT AND SUPPORT



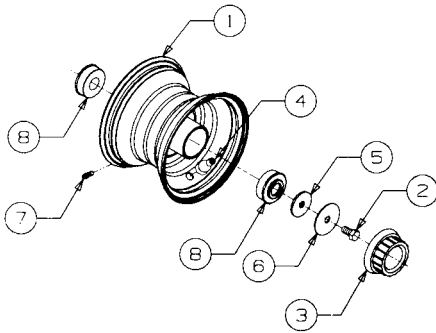
REF. NO.	PART NUMBER	DESCRIPTION	QTY.	REF. NO.	PART NUMBER	DESCRIPTION	QTY.
1	703-2394	Bracket, RH Seat Pivot	1	9	732-3080	Spring, Compression, 1.9 OD x 2.4 Lg	2
2	703-2395	Seat, Base	1	10	732-3098	Adjuster, Seat	1
3	703-2477	Bracket, LH Seat Pivot	1	11	738-0140	Bolt, Shoulder	2
4	710-0451	Bolt, Carriage, 5/16-18 x .75	6	12	738-0372	Spacer, Shoulder	4
5	710-1260	Screw, Hex Wsh Hd Tap, 5-16-18 x .75	4	13	757-3003	Seat, Medium Back	1
6	712-3004A	Nut, Hex Flange Lock, 5/16-18	8	14	777D04541	Graphic, Seat Back	1
7	720-0190	Knob, Seat Adjuster	1	15	777I20310	Graphic, Seat Adjuster	1
8	731-3154	Slide, Seat	4	16	777D01782	Graphic, Made in USA	1

## FRONT AXLE AND CONNECTIONS

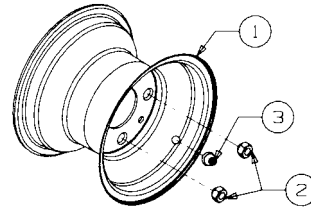


REF. NO.	PART NUMBER	DESCRIPTION	QTY.	REF. NO.	PART NUMBER	DESCRIPTION	QTY.
1	603-0066	Knuckle Assembly, Steering	2	9	719-3095	Axle, Front Pivot	1
2	710-3066	Screw, Hex Cap, 3/8-16 x 2.75 GR8	2	10	723-0156	Joint, Ball, 3/8-24	4
3	710-3103	Screw, Hex Cap, 5/16-18 x 2 GR5	2	11	736-0188	Washer, Flat, .760 x 1.49 x .06 Thk.	2
4	712-3054	Nut, Hex Lock, 3/8-24 GR5	2	12	737-3000	Fitting, Lube, 3/16 Drive Type	3
5	712-0431	Nut, Hex Flanged Lock, 3/8-16	2	13	738-3110	Bolt, Pivot Shoulder, 3/4 Dia x 2.23	1
6	712-3001	Nut, Hex Jam, 3/8-24 GR5	4	14	747-3171	Rod, Tie	2
7	712-3004A	Nut, Hex Flange Top Lock, 5/16-18	2	15	748-3049	Arm, Steering	2
8	712-3083	Nut, Hex Top Nylon Lock, 1/2-13	1				

### FRONT WHEEL



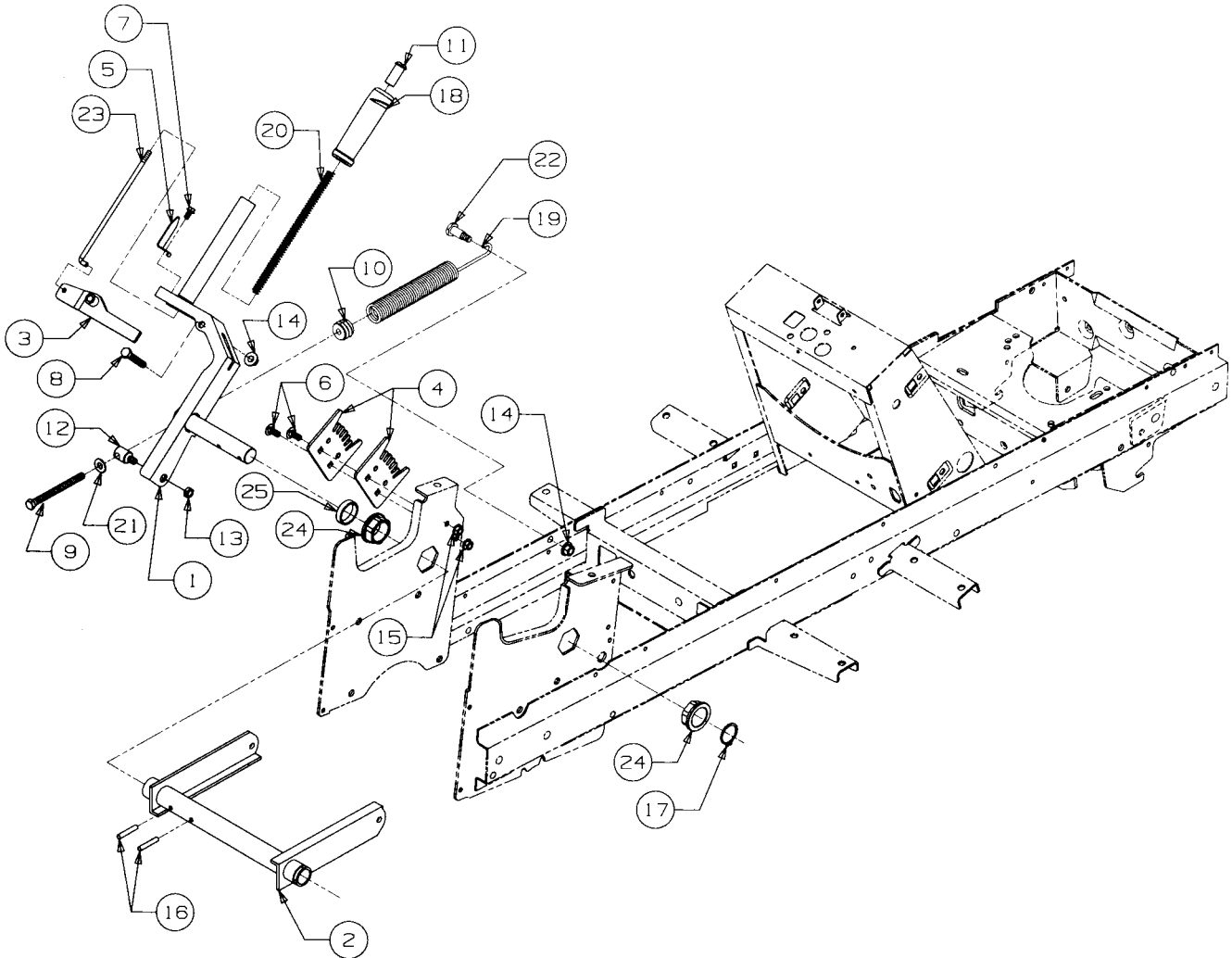
### REAR WHEEL



REF. NO.	PART NUMBER	DESCRIPTION	QTY.
	734-3186	Tire, Cub Tread, 15 x 6 x 6	2
1	634-3015	Rim Assy, Front	2
2	710-3119	Bolt, Hex Patch, 3/8-16 x .75 GR5	2
3	731-3020	Cap, Hub	2
4	734-0255	Valve, Tubeless Air	2
5	736-3039	Washer, Flat, .406 x 1.5 x .110	2
6	736-3040	Washer, Flat, .406 x 1.92 x .06	2
7	737-0224	Fitting, Grease	2
8	741-3032	Bearing, Ball	4

REF. NO.	PART NUMBER	DESCRIPTION	QTY.
	734-3189	Tire, Cub Tread, 20x 9 x 8	2
1	634-3187	Rim Assy, Rear	2
2	712-3050	Nut, Lug, 7/16-14	8
3	734-0255	Valve, Tubeless Air	2

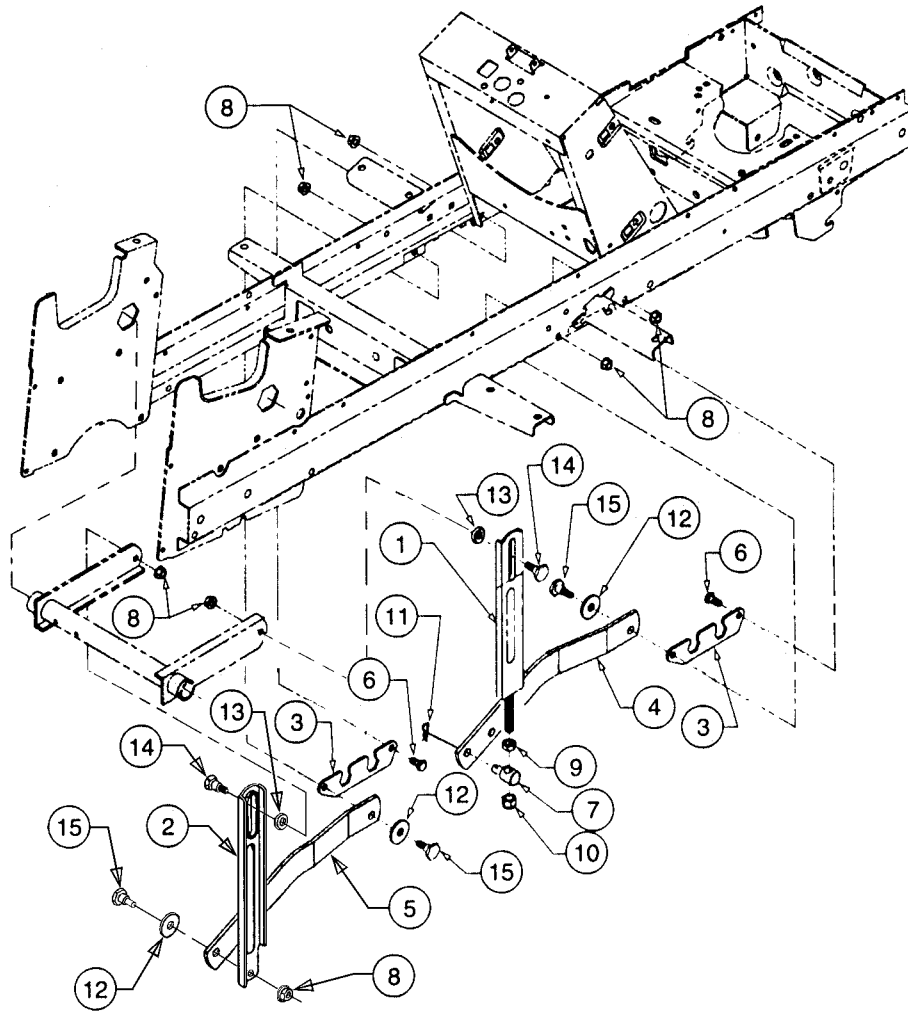
## IMPLEMENT LIFT HANDLE



REF. NO.	PART NUMBER	DESCRIPTION	QTY.
1	603-0057A	Handle Assembly, Lift	1
2	603-0059	Shaft Assembly, Lift	1
3	603-0136	Fork, Lift	1
4	703-2239	Bracket, Lift Index	2
5	703-2558	Indicator, Lift Height	1
6	710-0451	Bolt, Carriage, 5/16-18 x .75	2
7	710-0599	Screw, Hex Wash Tapp, 1/4 x .5	1
8	710-3144	Screw, Hex Cap, 3/8-16 x 2 GR5	1
9	710-3279	Screw, Hex Cap, 3/8-16 x 4.25 GR5	1
10	711-0635	Insert, Spring	1
11	711-0642A	Button, Handle	1
12	711-3350	Ferrule, Adjustment	1
13	712-0262	Nut, Hex Center Lock, Jam, 3/8-24	1

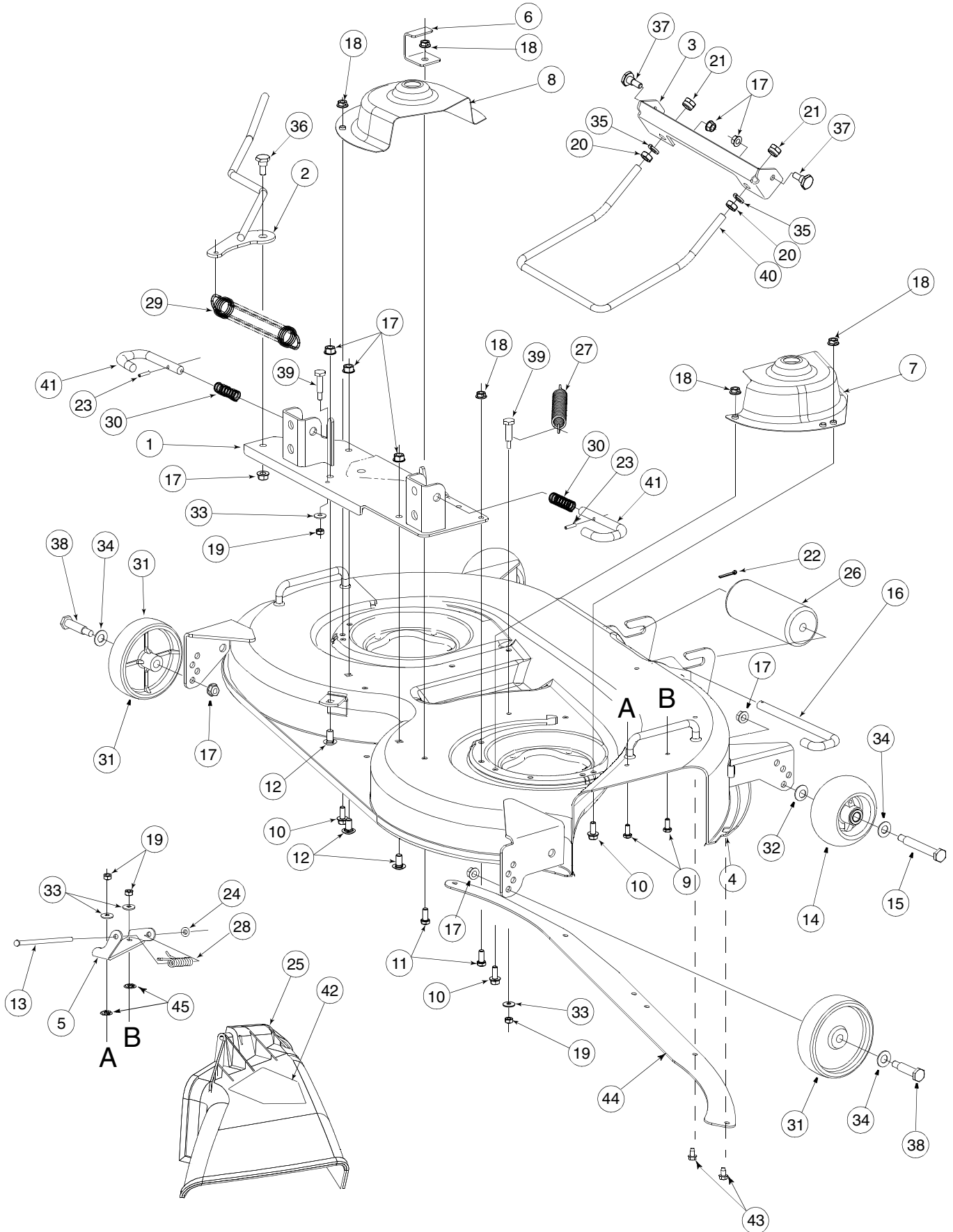
REF. NO.	PART NUMBER	DESCRIPTION	QTY.
14	712-0431	Nut, Hex Flanged Lock, 3/8-16	2
15	712-3004A	Nut, Hex Flanged Top Lock, 5/16-18	2
16	715-0114A	Pin, Spiral Spring, 1/4 Dia x 1.5	2
17	716-0116	Ring, Snap, 1.25 Dia Shaft	1
18	731-3158	Grip, Lift Handle	1
19	732-3093	Spring, Extension	1
20	732-3097	Spring, Compression	1
21	736-0267	Washer, Flat, .385 x .87 x .06	1
22	738-0145	Bolt, Shoulder	1
23	747-3175	Rod, Index	1
24	748-3051	Bearing, Hex Flange, 1.25 ID	2
25	750-3131	Spacer, 1.28 ID x 1.5 OD x .335 Lg	1

## IMPLEMENT LIFT HANGER



REF. NO.	PART NUMBER	DESCRIPTION	QTY.
1	603-0058	Bracket, RH Hanger	1
2	703-2234	Bracket, LH Hanger	1
3	703-2804	Plate, Bearing Mounting	2
4	703-2832	Link, RH Lift	1
5	703-2833	Link, LH Lift	1
6	710-3000	Screw, Hex Cap, 3/8-16 x .75 GR5	2
7	711-3319	Ferrule, Adjustment	1
8	712-0431	Nut, Hex Flange Lock, 3/8-16	7
9	712-3048	Nut, Hex Jam, 1/2-13 GR5	1
10	712-3083	Nut, Hex Insert Lock, 1/2-13	1
11	714-0145	Pin, Internal Cotter	1
12	736-0326	Washer, Flat, .5 x 1.5 x .15	3
13	736-3069	Washer, Flat, .531 x .875 x .15	2
14	738-0430	Bolt, Shoulder	2
15	738-0507B	Bolt, Shoulder	3

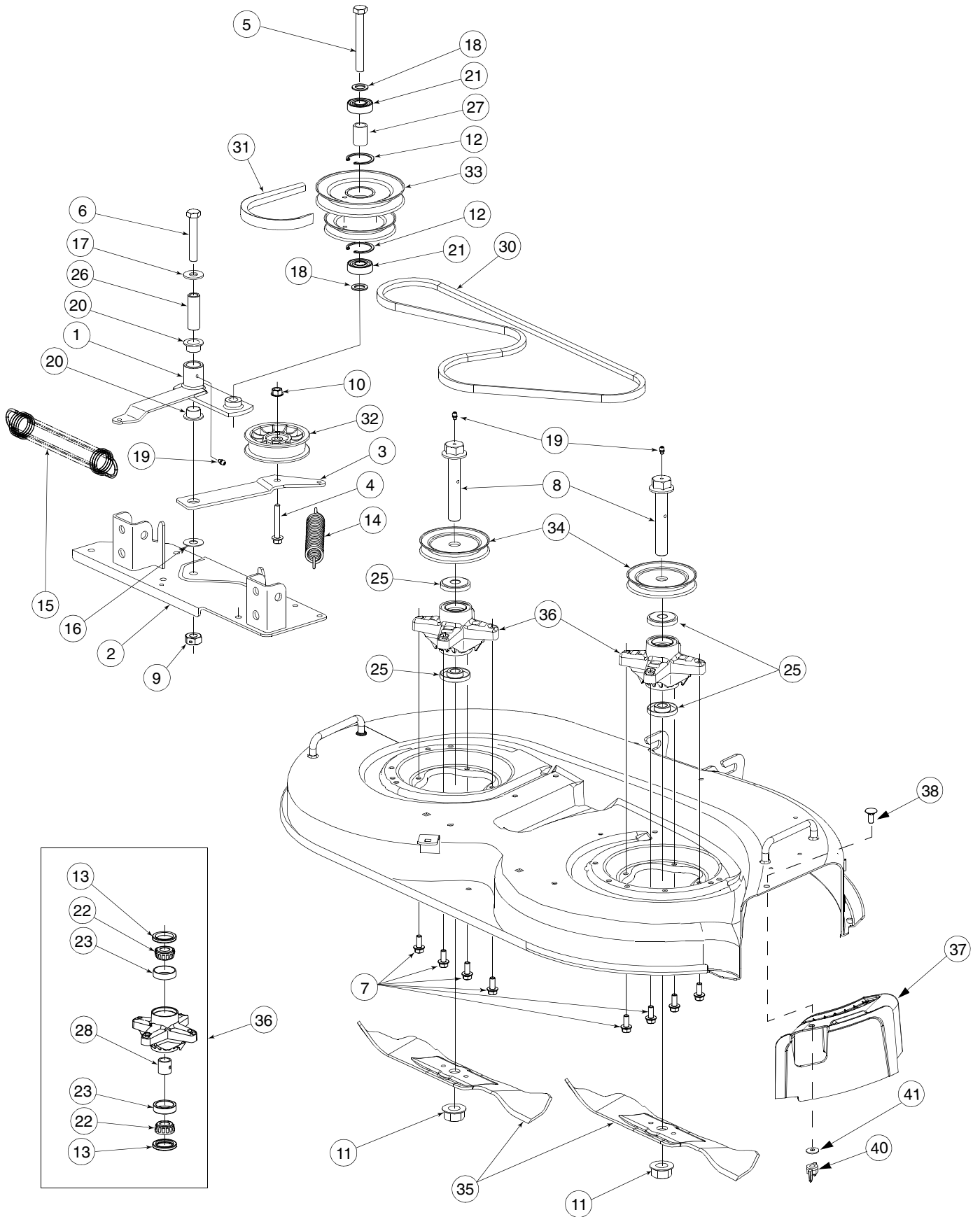
# DECK ASSEMBLY



**DECK ASSEMBLY**

<b>REF. NO.</b>	<b>PART NUMBER</b>	<b>DESCRIPTION</b>	<b>QTY.</b>
1	603-0181A	Plate Assembly, Mounting	1
2	603-0199	Handle, Tension	1
3	603-0200	Bracket, Front Lift	1
4	603-0409A	Deck Assembly	1
	777S30503	Graphic, Danger Keep Hands Away	1
	777S30014	Graphic, Caution Under Spring Tension	1
	777S30018	Graphic, Danger Avoid Serious Injury	1
5	703-1693A	Bracket, Hinge Mounting	1
6	703-2559	Bracket, Handle Stop	1
7	703-3237	Shield, RH Pulley	1
8	703-2945	Shield, LH Pulley	1
9	710-0751	Screw, Hex Cap, 1/4-20 x .62 GR5	2
10	710-1260A	Screw, Hx Wsh Hd Tapp, 5/16-18 x .75	3
11	710-3008	Screw, Hex Cap, 5/16-18 x .75 GR5	2
12	710-3178	Bolt, Carriage, 3/8-16 x .75	3
13	711-0792	Pin, Hinge, .25 Dia x 6.75 Lg	1
14	703-1890	Wheel, Deck w/Fitting	2
	737-0280	Lube, Fitting	2
15	738-3056	Bolt, Shoulder, 1/2 x 2.5	2
16	711-3314	Pin, Roller, 1/2 Dia x 7.31 Lg	1
17	712-0431	Nut, Hex Flange Lock, 3/8-16	10
18	712-3004A	Nut, Hex Flange Lock, 5/16-18 GR5	5
19	712-3006	Nut, Hex, 1/4-20	4
20	712-3048	Nut, Hex Jam, 1/2-13 GR5	2
21	712-3083	Nut, Hex Insert Lock, 1/2-13	2
22	714-3004	Pin, Cotter, 3/32 x 1.25	1
23	715-3003	Pin, Spiral Spring, 3/16 x .75	2
24	726-0106	Cap, Speed Nut	1
25	731-1032B	Deflector Assy, (Incl. Ref #5, 13, 24, 28, 45)	1
26	731-3005	Roller	1
27	732-0262	Spring, Extension, .88 OD x 6.12	1
28	732-0602A	Spring, Torsion	1
29	732-3115	Spring, Extension, 1.25 OD x 8.15	1
30	732-3127	Spring, Compression	2
31	734-0973	Wheel, Deck, 5 in. Dia	2
32	736-0105	Washer, Bell, .401 x .870 x .063	2
33	736-0270	Washer, Bell, .265 x .75 x .062	4
34	736-0272	Washer, Flat, .510 x 1.0 x .060	4
35	736-0921	Washer, Lock, 1/2	2
36	738-0143	Bolt, Shoulder, .498 Dia x .340 Lg	1
37	738-507B	Bolt, Shoulder, .50 Dia x .434 Lg	2
38	738-0533	Bolt, Shoulder, .498 Dia x 1.64 Lg	2
39	738-0572	Bolt, Shoulder, .375 Dia x 1.16 Lg	2
40	747-3172	Rod, Front Lift	1
41	747-3188	Pin, Mower Support	2
42	777S30145	Graphic, Danger	1
43	710-0599	Screw, Self Tapping, 1/4-20 x .5	5
44	783-1146A	Skirt, Deck	1
45	726-0233	Nut, Push, 1/4	2

### SPINDLE ASSEMBLY





## SPINDLE ASSEMBLY

REF. NO.	PART NUMBER	DESCRIPTION	QTY.
1	603-0857	Pivot Arm, Double Pulley	1
2	603-0181A	Plate Assembly, Mounting	1
3	703-2463	Arm, Idler	1
4	710-0520	Screw, Hex Cap, 3/8-16 x 1.5 GR5	1
5	710-0923	Screw, Hex Cap, 5/8-18 x 3.0 GR5	1
6	710-1010	Screw, Hex Cap, 1/2-20 x 3.0 GR8	1
7	710-1260A	Screw, Hex Wsh Hd Tap, 5/16-18 x .75	8
8	710-1336A	Bolt, Spindle, 3/4-16 x 4.25	2
9	712-0239	Nut, Hex Center Lock, 1/2-20	1
10	712-0431	Nut, Hex Flange Lock, 3/8-16	1
11	712-3078	Nut, Hex Flange, 3/4-16	2
12	716-3020	Snap Ring, Internal	2
13	721-3018A	Seal, Oil, 1.25 x 1.874 x .25	4
14	732-0262	Spring, Extension, .88 x 6.12	1
15	732-3115	Spring, Extension, 1.25 x 8.15	1
16	736-0100	Washer, Flat, .531 x 1.25 x .036	1
17	736-0179	Washer, Flat, .531 x 1.25 x .100	1
18	736-0237	Washer, Flat, .65 x 1.25 x .075 Hdn	2
19	737-3000	Fitting, 3/16 Drive Lube	3
20	741-0338	Bearing, Flange, 3/4 ID x .53 Lg	2
21	741-1122	Bearing, .625 ID x 1.574 OD x 470	2
22	741-3028	Cone, Bearing	4
23	741-3029	Cup, Bearing	4
25	748-3065	Spacer, Deck Spindle	4
26	750-0656	Spacer, Idlr Brkt .50 ID x .75 OD x 2.25	1
27	750-3132	Spacer, Pulley .635 ID x .88 OD x 1.25	1
28	750-3190	Spacer, Bearing, .780 x .963 x .777	2
30	754-3073	Belt, Spindle, A-Section x 61 Lg	1
31	754-3055A	Belt, PTO, B-Section x 112.4 Lg	1
32	756-0627	Pulley, Flat Idler, 3.5 OD	1
33	756-3114	Pulley, Double	1
	737-3000	Fitting, 3/16 Drive Lube	1
34	756-3089	V-Pulley, 4.0 Dia	2
35	759-3830	Blade, 3 In One, 21.20 Lg	2
36	618-3129A	Spindle, Blade	2
37	731-2363	Plug, Mulch	1
38	710-0134	Screw, Carriage, 1/4-20 x .62	1
40	712-3087	Nut, Wing, 1/4-20	1
41	736-0270	Washer, Belleville, .265 x .75 x .062	1





