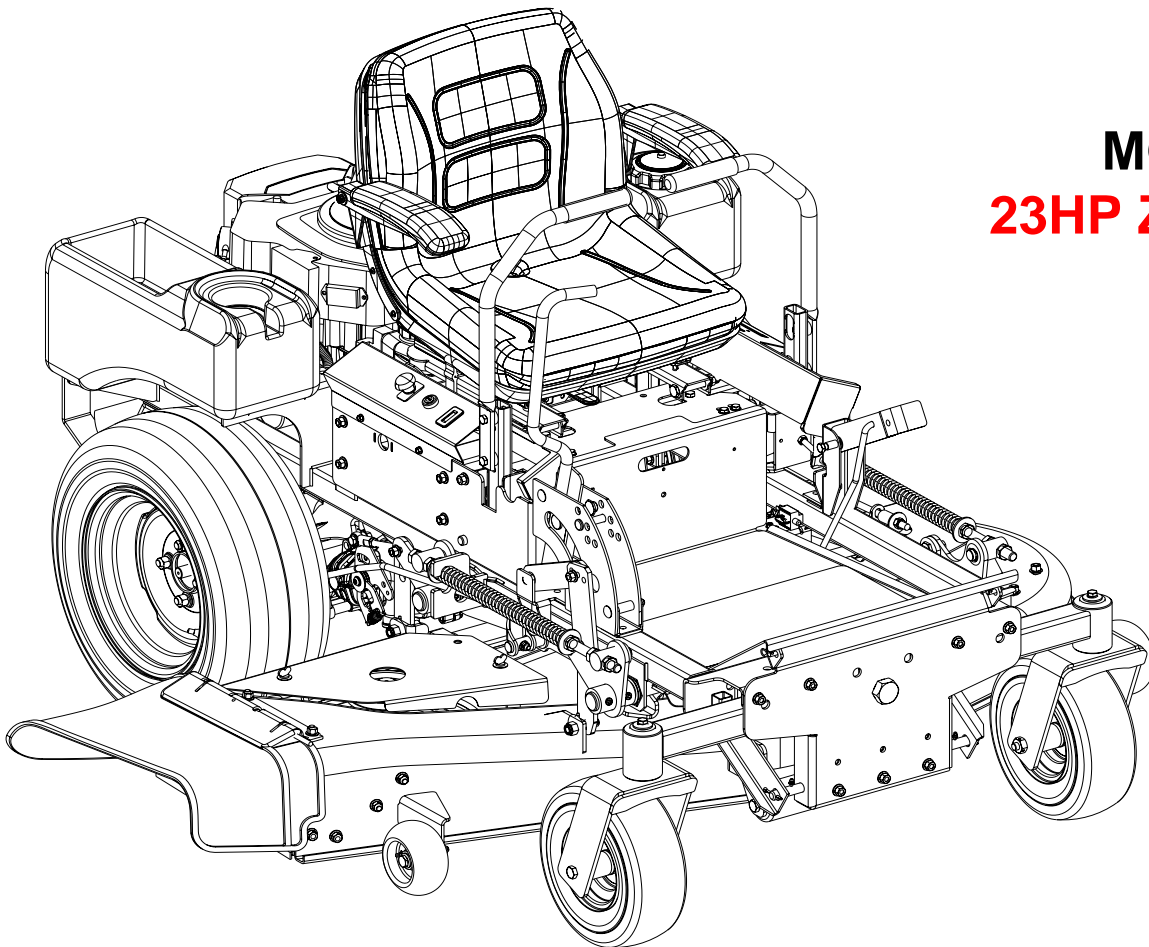




Hydrostatic Zero-Turn Residential Riding Mower

Turf Equipment

MODEL
23HP Z-Force 60

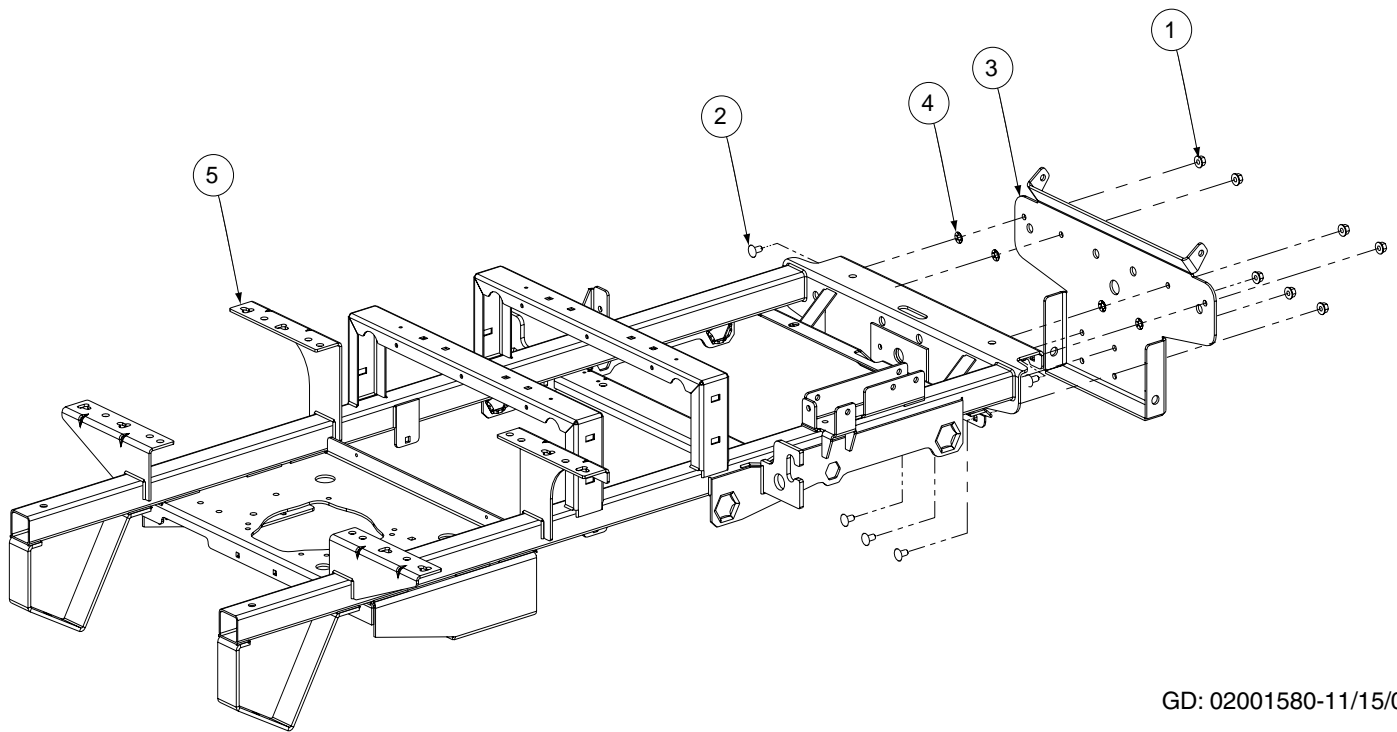


ILLUSTRATED PARTS LIST

TABLE OF CONTENTS

Frame Assembly	3
60" Formed Cutter Deck	4 and 5
60" Deck Spindle Assembly	6 and 7
Brake Assembly	8 and 9
Fuel Tank Assembly	10
Rear Bumper	11
Front Caster Assembly	12
Wheel Assembly	13
Control Assembly	14 and 15
Drive Assembly	16
Seat Assembly	17
23 HP Kohler Engine Assembly	18 and 19
23 HP Kawasaki Engine Assembly	20 and 21
23 HP Kohler Electrical Assembly	22
23 HP Kawasaki Electrical Assembly	23
Floor Panel Assembly	24
Lift Assembly	25 and 26
Decal Map	27

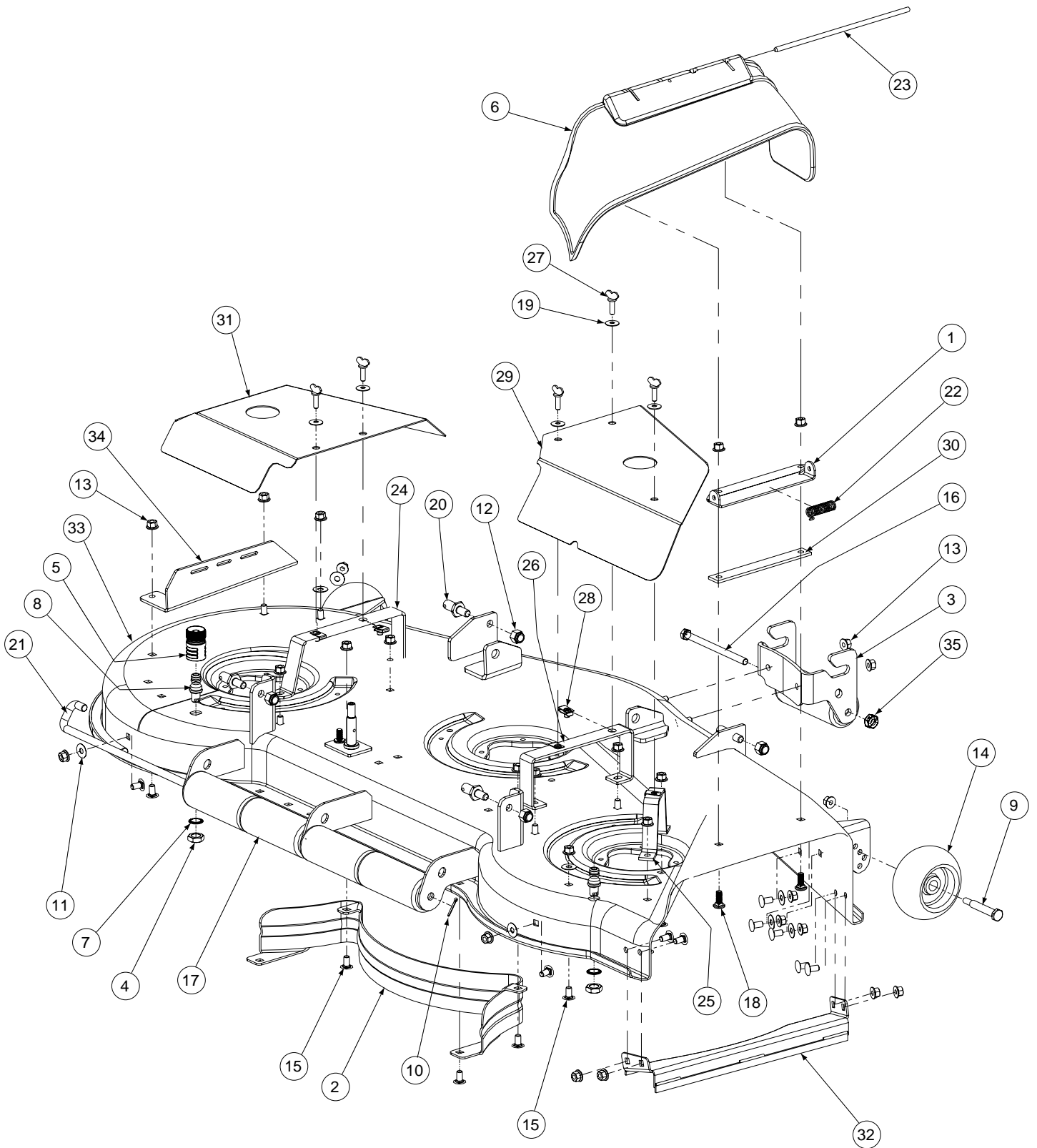
Frame Assembly- Figure 1 and Parts List



GD: 02001580-11/15/05

Ref. No.	Part No.	Description	Qty.
1	00022560	Hex Nut, 3/8-16 Flange Lock	7
2	01000372	Carriage Bolt, 3/8-16 x .75 Long	7
3	01001713	Bracket Assembly, Frame, Front	1
4	01008225	Push Retainer, 3/8"	4
5	02001586	Frame Assembly	1

60" Formed Cutter Deck - Figure 2

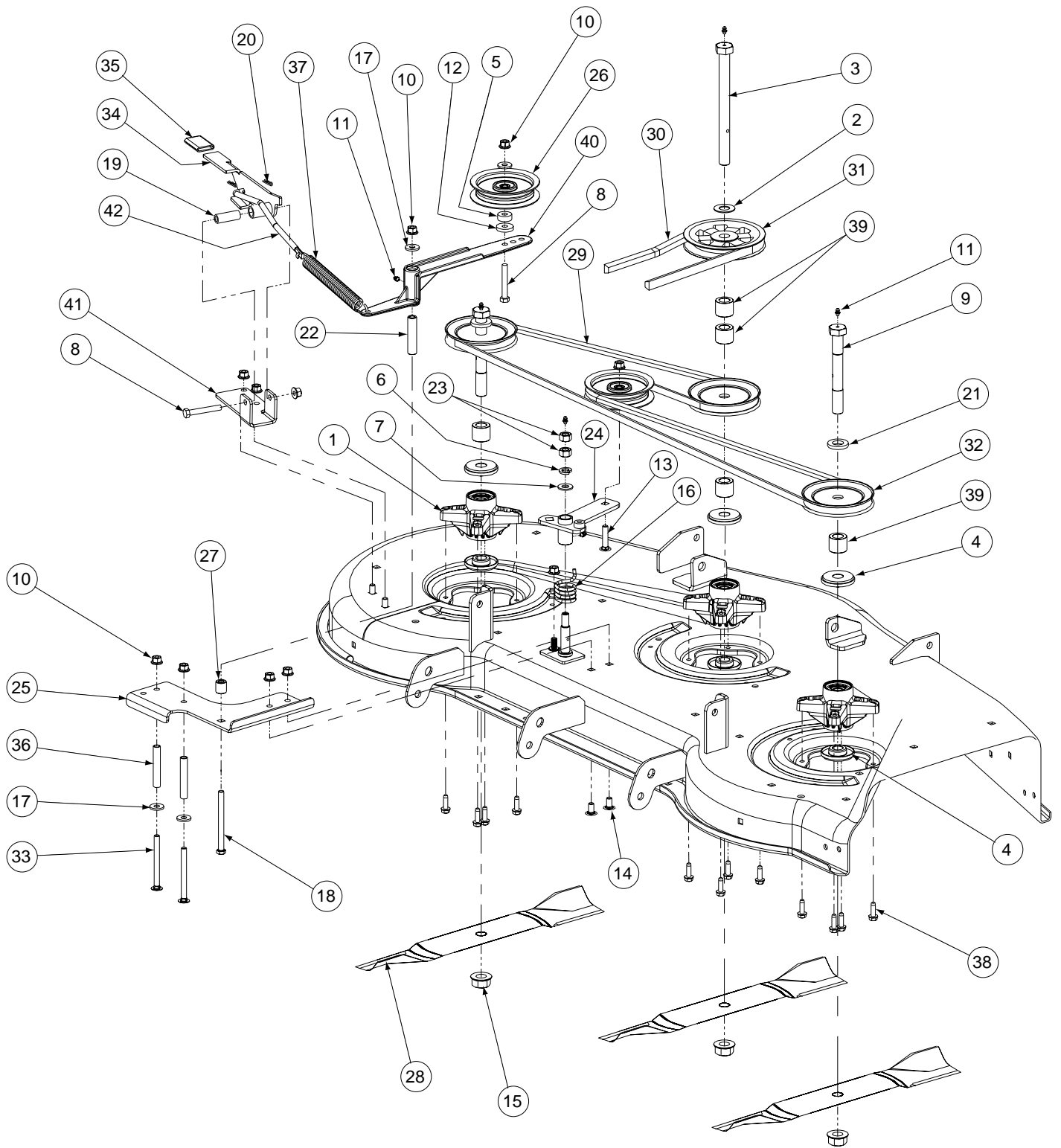


GD: 02001551-01/31/06

60" Formed Cutter Deck - Parts List for Figure 2

Ref. No.	Part No.	Description	Qty.
1	01004857	Chute Deflector Bracket	1
2	01004856	Deck Baffle	1
3	01004852	Front Roller Bracket	1
4	712-0641	Hex Nut, M16-1.5	2
5	721-04041	Water Nozzle Adaptor	1
6	731-3257	Chute Deflector	1
7	736-0760	Lock Washer, 17 x 23.8 x 1.9	2
8	737-04003B	Nozzle, Deck Water	2
9	738-3056	Shoulder Screw .498 x 1.53	2
10	00003107	Cotter Pin, .125 Dia. x 1.0	1
11	00012158	Flat Washer, 3/8	8
12	00012428	Lock Nut, Nylon Insert, 1/2-13	4
13	00022560	Hex Nut, 3/8-16, Flange Lock	29
14	703-1890	Complete Wheel, 5.00 Dia	2
15	01000372	Carriage Bolt 3/8-16 x .75	25
16	02002154	Hex Cap Screw, 1/2-20 x 7.25	1
17	01000385	Front Roller	5
18	01000643	Carriage Bolt, 3/8-16 x 1.00	2
19	01000960	Washer, .325 x .930 x .045	5
20	01001745	Pin, 5/8 Dia x 1.2 Lg	4
21	01002635	Roller Pin	1
22	01003253	Torsion Spring	1
23	01003254	Chute Deflector Rod	1
24	01004858	Support Bracket Belt Cover Left Hand	1
25	01004859	Support Bracket Belt Cover Right Hand	1
26	01004860	Support Bracket Belt Cover Center	1
27	01003560	Thumb Screw, 5/16-18 x 1.0 Lg.	5
28	01003563	U Nut, 5/16-18	5
29	02001538	Belt Cover 60 Right Hand	1
30	01004864	Strip Spacer, 0.1875 Thick	1
31	02001539	Belt Cover 60 Left Hand	1
32	01005594	Finger Guard Assembly	1
33	02001542	Deck Assembly 60"	1
34	02001543	Belt Cover Support Bracket	1
35	02002299	Nut, 1/2-20, Nylon Insert	1

60" Deck Spindle Assembly - Figure 3

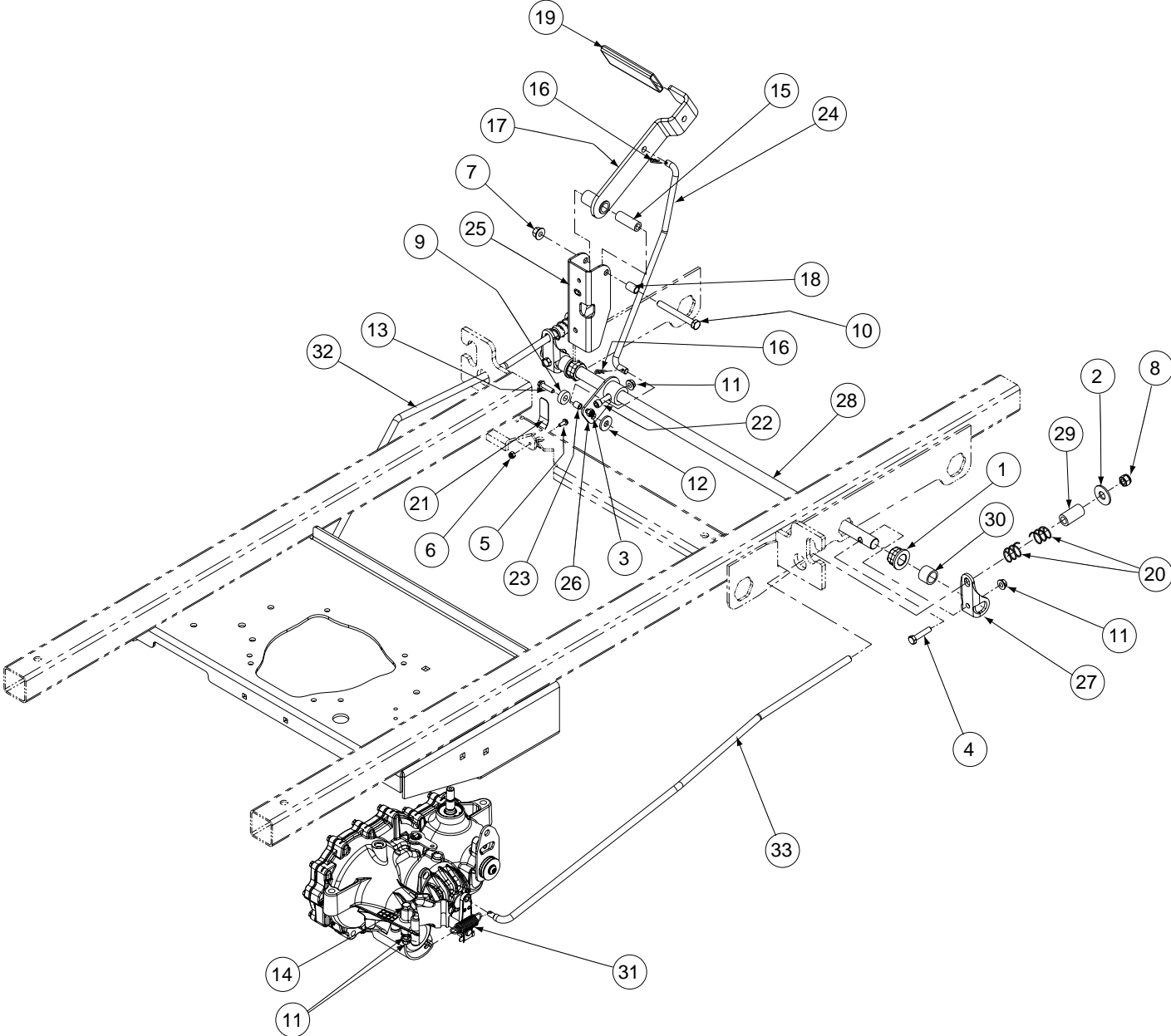


GD: 02001550-01/26/06

60" Deck Spindle Assembly - Parts List for Figure 3

Ref. No.	Part No.	Description	Qty.	Ref. No.	Part No.	Description	Qty.
1	618-04394	Spindle Assembly	3	23	01003607	Hex Nut, 1/2-20	2
2	736-0188	Washer, .76 x 1.49 x .06	1	24	01004821	Idler Arm Assembly	1
3	02001986	Hex Cap Screw, 3/4-16 x 8.50	1		01000308	Bearing	2
4	748-3065A	Spindle Spacer	6	25	02001534	Idler Arm Mounting Bracket	1
5	750-3119	Spacer .406 ID x 1.0 OD	1	26	01004101	Idler Pulley, 4.06 OD	2
6	00010734	Lock Washer, 1/2	1	27	01010173	Spacer, .39 ID x .875 OD x 1.00	1
7	00010958	Washer, 1/2 Zinc	1	28	01004719	Hi-Lift Blade, 20.5, .756 ID	3
8	00011861	Hex Cap Screw, 3/8-16 x 2.50	2	29	01004752	V Belt, A Section x 120.0	1
9	02001987	Hex Cap Screw, 3/4-16 x 6.00	2	30	01005012	V Belt, B Section x 84.2	1
10	00022560	Hex Nut, 3/8-16, Flange Lock	11	31	01005203	V-Pulley, 5.774 OD	1
11	00060078	Grease Fitting, 1/4-28 x 3/16	6	32	01006535	Pulley, A Sect x 4.90	3
12	01003269	Washer, .4375 ID x 1.75 OD x .25	1	33	01008049	Carriage Bolt, 3/8-16 x 4.00	2
13	00030276	Hex Carriage Screw, 3/8-16, 1.50	1	34	02001532	Handle Tension Weldment	1
14	01000372	Carriage Bolt, 3/8-16 x .75	4	35	01008270	Handle Tension Grip	1
15	01000380	Hex Flange Nut, 3/4-16	3	36	01009808	Spacer, .385 x .50 x 3.045	2
16	01000387	Torsion Idler Spring	1	37	02000726	Extension Spring, 1.0 x OD x 5.00	1
17	01000723	Flat Washer, .406 ID, 1.0 OD, .105	4	38	02000762	Self Tapping Screw 5/16-18 x 1.00	12
18	01002539	Hex Cap Screw, 3/8-16 x 4-1/2	1	39	02000776	Spacer, .78 x 1.25 x 1.0425	5
19	01002751	Spacer, .39 x .63 x 1.75	1	40	02001855	Idler Arm Assembly, Top	1
20	01002771	Cotter Pin, .072 x 1.12 Lg	2	41	02001536	Idler Tension Mounting Bracket	1
21	01003123	Spacer .812 ID x .218	2	42	02001574	Spring Tension Rod	1
22	01003245	Spacer, .39 ID x .625 OD x 2.75	1				

Brake Assembly - Figure 4

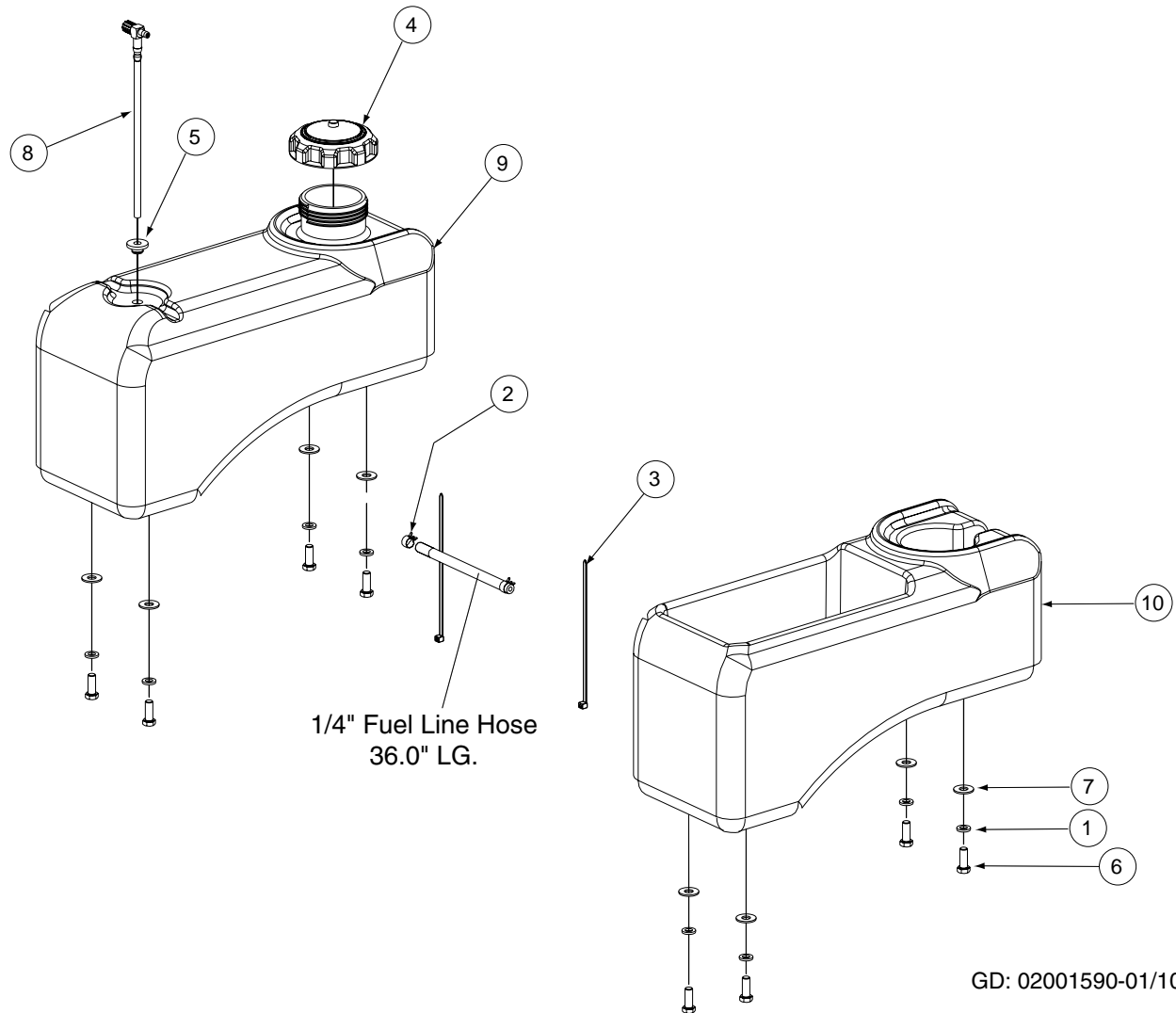


GD: 02001585-12/08/05

Brake Assembly - Parts List for Figure 4

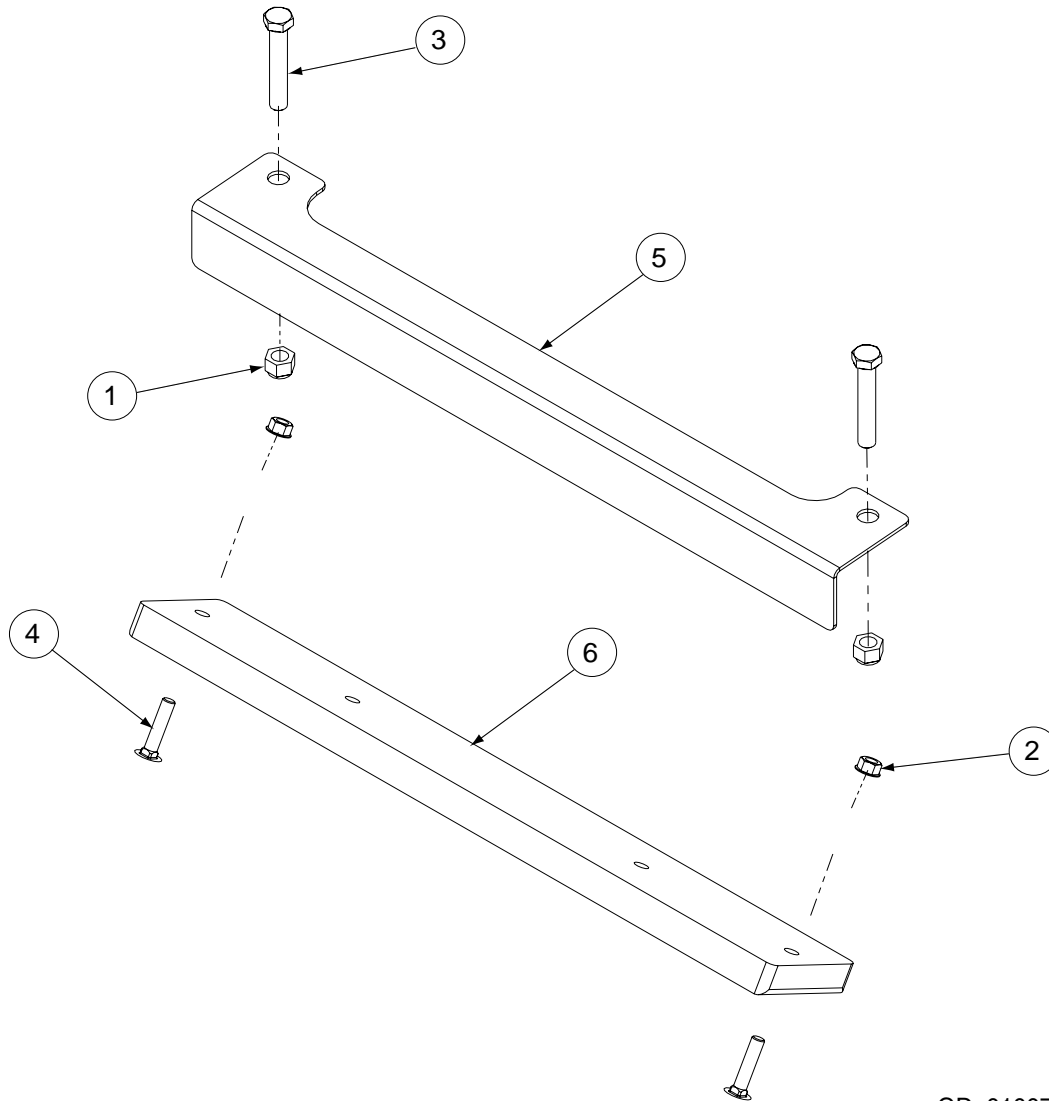
Ref. No.	Part No.	Description	Qty.
1	741-0598	Hex Flange Bearing, .752 ID	2
2	00011459	Washer, 1/2	2
3	00012152	Lock Nut, Nylon Insert, 1/4-20	1
4	00012382	Hex Cap Screw, 5/16-18 x 1-1/2	2
5	00013669	Screw, Hex Washer, 10-32 x 1/2	1
6	00014608	Lock Nut, Nylon Insert, 10-32	1
7	00022560	Nut, Flange Lock, 3/8-16	1
8	00027279	Nut, 7/16-14, Nylock	2
9	00071691	Spacer, Control Rod	1
10	01000371	Hex Cap Screw, 3/8-16 x 3-1/4	1
11	01000635	Nut, Lock, HexFlange, 5/16-18	7
12	01000723	Flat Washer, .406 ID x 1.0 OD x .105	1
13	01000897	Screw, TT, 1/4-20, 1.0, Hex Index Washer	1
14	01001972	Hex Cap Screw, 5/16-18 x 2.75	2
15	01002751	Spacer, .39 ID x .63 OD x 1.75	1
16	01002771	Hair Pin, INT .072 x 1.12 Lg.	2
17	01003595	Weldment, Brake Handle	1
18	01003468	Spacer, .375 x .50 x .75 Lg	1
19	01003716	Grip, Park Brake	1
20	01004971	Lift Handle Spring	4
21	01008042	Spring Retainer	1
22	01008600	Socket Head Capscrew, 5/16-18 x 1.50	1
23	01008607	Spacer, Pump Release	1
24	01008886	Rod Brake, Connect To Handle	1
25	01008889	Park Brake Mounting Bracket	1
26	01009561	Brake Arm Assembly	1
27	01009566	Brake Arm Bracket	2
28	01009569	Pivot Brake Shaft	1
29	01009601	Hose, .5 ID x .78 OD, Low Pressure	2
30	01009602	Spacer, .76 ID x 1.0 OD x 3/4	2
31	02000401	Spring Extension, .740 OD x 2.656	2
32	02001588	Brake Rod, LH	1
33	02001589	Brake Rod, RH	1

Fuel Tank Assembly - Figure 5 and Parts List



Ref. No.	Part No.	Description	Qty.
1	00012157	Lock Washer, 3/8	8
2	00012235	Clamp, Union	2
3	00012470	Cable Tie	2
4	01000069	Fuel Cap, 3.5	2
5	02002253	Grommet, Fuel Tank	1
6	01000368	Hex, Cap Screw, 3/8-16, .88	8
7	01000723	Flat Washer, .406 ID, 1.0 OD, .105	8
8	01003116	Fuel Fitting	1
9	01004350	Fuel Tank	1
10	01008138	Utility Bin	1
11	--	Hose, 1/4" Fuel Line (in inches)	36

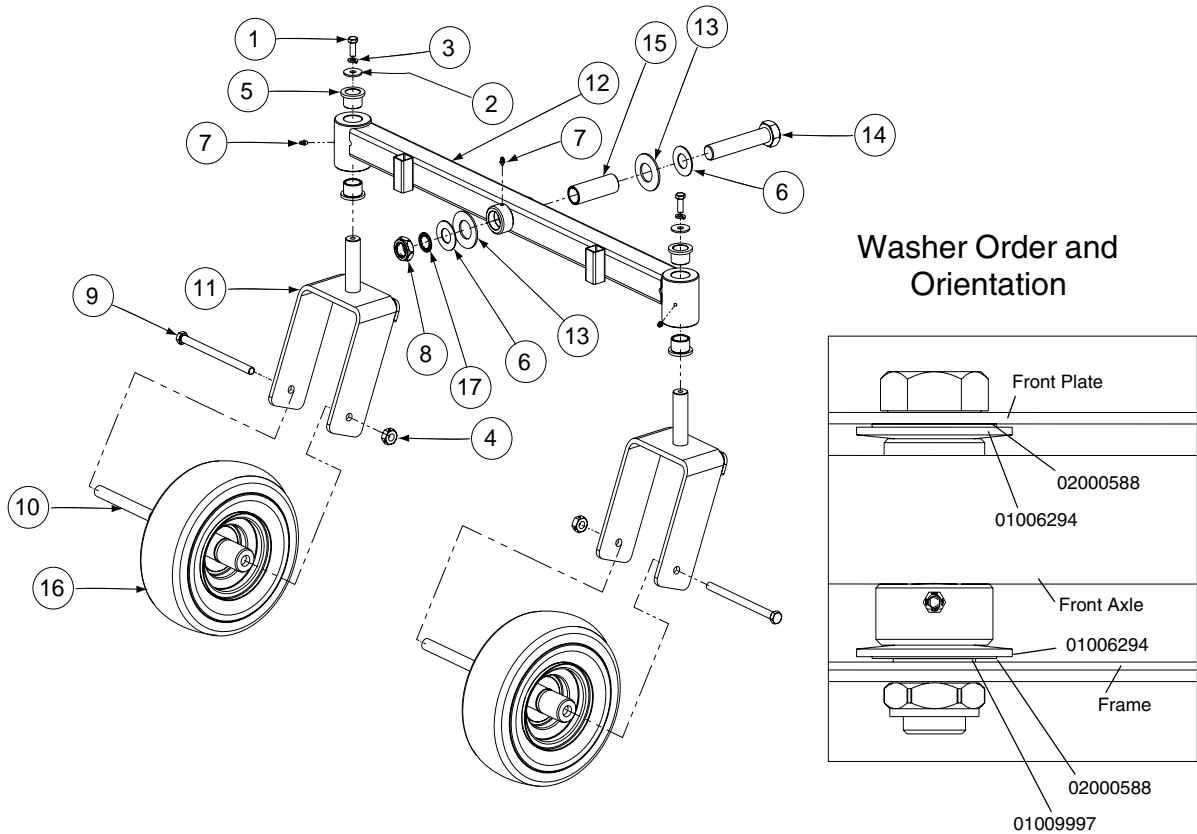
Rear Bumper - Figure 6 and Parts List



GD: 01007365-04/08/04

Ref. No.	Part No.	Description	Qty.
1	00012428	Hex Nut, 1/2-13, Insert Lock	2
2	00022560	Nut, Hex 3/8-16 Flange Lock	2
3	00030046	HHCS, 1/2-13, 3.00	2
4	01000364	Carriage Bolt, 3/8-16 x 1.75	2
5	01007362	Rear Bumper Bracket	1
6	01009992	Bar Weight	1

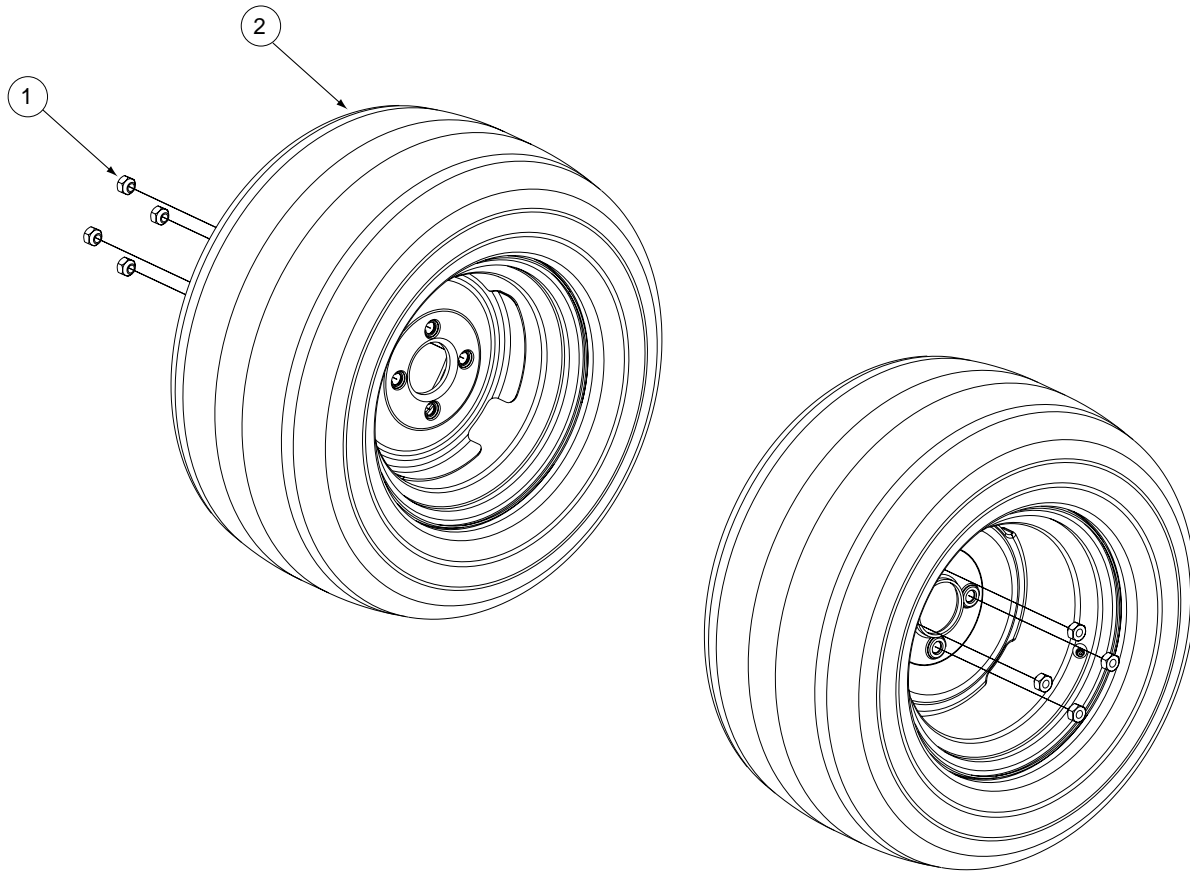
Front Caster Assembly - Figure 7 and Parts List



GD: 02001990-12/15/05

Ref. No.	Part No.	Description	Qty.
1	00006144	Hex Cap Screw, 3/8-16, x 1	2
2	01000872	Flat Washer, .411 x 1.25 x 1.00	2
3	00012157	Lock Washer, 3/8	2
4	00023287	Center Lock Nut, 1/2-20	2
5	00023793	Flange Bearing, 1.013	4
6	02000588	Flat Washer, 1.00 ID x 2.00 OD x .075	2
7	00060078	Grease Fitting, 1/4-28 x 3/16	3
8	01000678	Jam Lock Nut, 1.0-14	1
9	02002154	Hex Cap Screw, 1/2-20 x 7.25	2
10	02002153	Spacer, .54 ID x .75 OD x 5.925 Lg	2
11	01007364	Caster Wheel Bracket Assembly	2
12	02000570	Narrow Front Axle Assembly	1
13	01006294	Belle Washer, 1.25 ID x 2.500 OD x .1	2
14	01006309	Hex Cap Screw, 1-14 x 5.0	1
15	02000589	Spacer, 1.005 ID x 1.25 OD x 3.6	1
16	02001562	Wheel Assembly, 11 x 4-5.00 includes:	2
	02002098	Tire	1
	02002099	Roller Bearing	1
	02002100	Roller Bearing	1
	02002101	Retainer Bushings	2
17	01009997	Retainer Extension, Self Locking	1

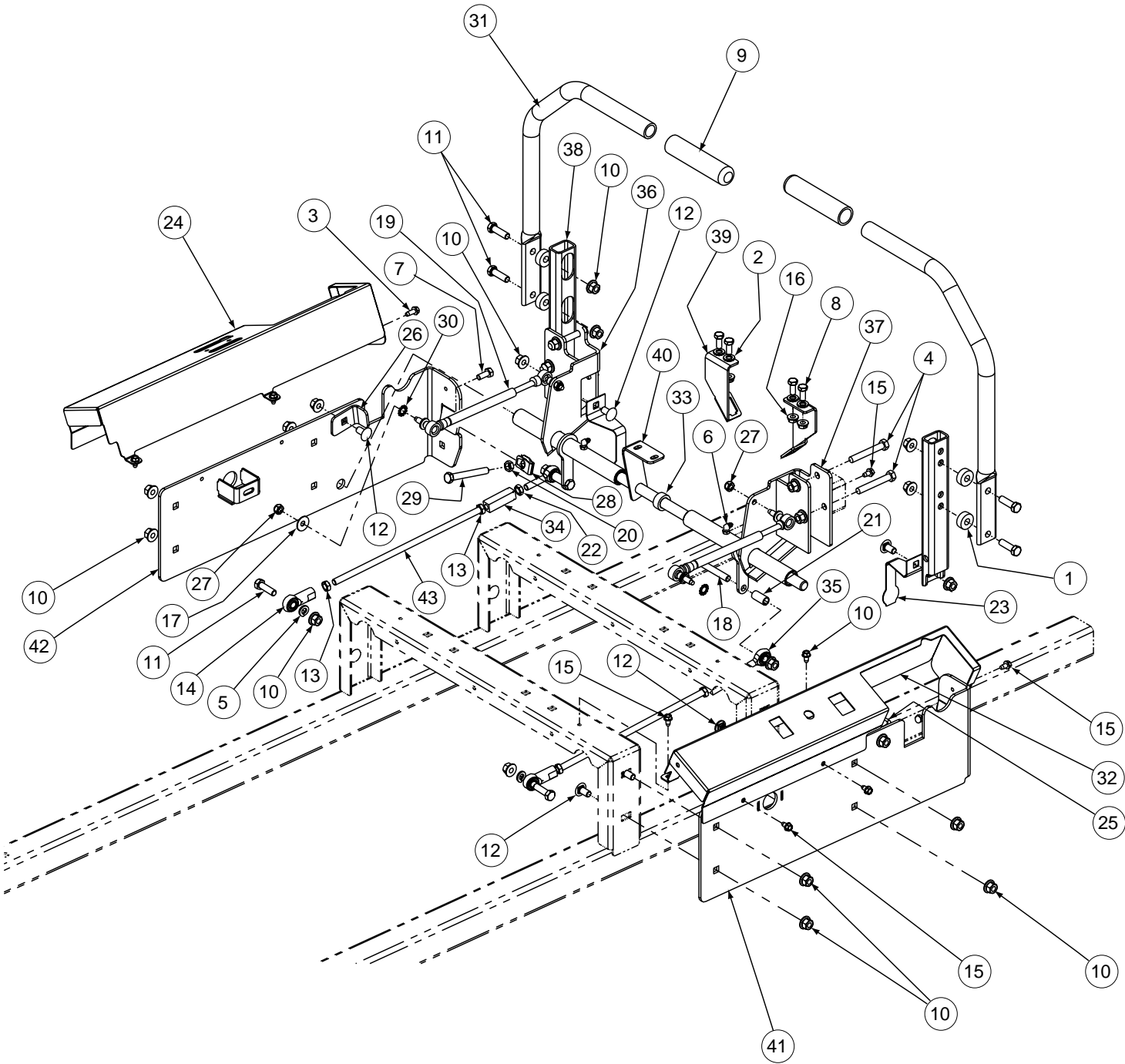
Wheel Assembly - Figure 8 and Parts List



GD: 02001961-12/15/05

Ref. No.	Part No.	Description	Qty.
1	00012187	Lug Nut, 1/2-20	8
2	02001963	Wheel Assembly, 23 x 9.5-12, Turf Pro	2
	02002102	Includes: Tire, 23 x 9.50-12, Turf Pro Rim, 12 Dia x 7.00 width	

Control Assembly- Figure 9

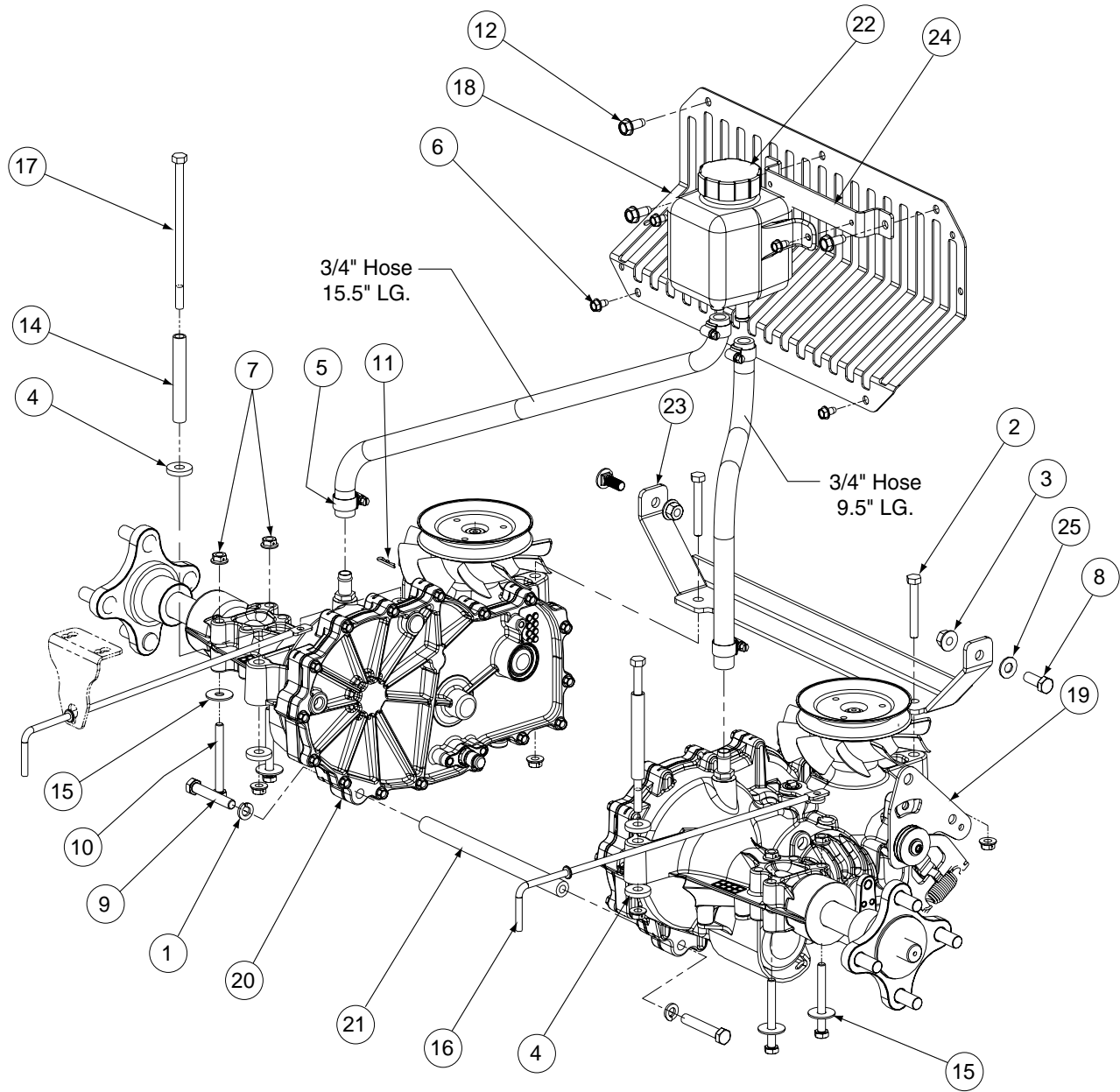


GD: 02001595-12/19/05

Control Assembly - Parts List for Figure 9

Ref. No.	Part No.	Description	Qty	Ref. No.	Part No.	Description	Qty.
1	750-3119	Spacer, .406 ID x 1.00 OD x .38	4	24	01004889	Control Panel, LH	1
2	00009812	Flat Washer, 5/16	4	25	02002017	Stop, RH	1
3	01000629	Screw, TT, 1/4-20, 0.75, Hex Index Washer	1	26	02002015	Stop, LH	1
4	00011861	Hex Cap Screw, 3/8-16, 2.5	4	27	01003561	Nut, Hex, Center Lock, M8 x 1.2	4
5	00012157	Lock Washer, 3/8	2	28	01003947	U-Nut, 3/8-16 x .75	2
6	00012226	Grease Fitting, 90°, 1/4-28	2	29	01004127	HHCS, 3/8-16, 3.00	2
7	00013092	HHCS, 5/16-18 x 1.0	1	30	01005851	External Lock Washer	2
8	00013406	Hex, Cap Screw, 5/16-18 x 3/4	4	31	01007359	Lapbar Handle, One Position	2
9	00022223	Grip, 1	2	32	01004890	Control Panel, RH	1
10	00022560	Hex Nut, 3/8-16, Lock Flange	25	33	01006350	Shaft Collar, .625 ID, 1.00 OD, .438 Lg	2
11	01000369	Hex Cap Screw, 3/8-16, 1.25	6	34	01007734	Turnbuckle	2
12	01000372	Carriage Bolt, 3/8-16 x .75	13	35	01008367	B/Joint, 3/8-24, Left Hand Female	2
13	01000450	Hex Jam Nut, 3/8-24	4	36	01009552	Hub Assy, Control LH Bearing	1
14	01000451	B/Joint, 3/8-24, Right Hand Female	2	01004265	Bearings	2	
15	01000628	Screw, TT, 1/4-20, 0.5, Hex Index Washer	11	37	01009553	Hub Assy, Control RH Bearing	1
16	01000635	Nut, Lock, HexFlange, 5/16-18	5	01004265	Bearings	2	
17	01000960	Belle Washer, .325 x .930 x .045	2	38	01010176	Mounting Handle	2
18	01001366	Hex Cap Screw, 3/8-16 x 2.25	2	39	02001957	Switch Mounting Bracket, Lapbar	2
19	02001184	Cylinder Return to Neutral	2	40	02000175	Shaft Control Brake Steering	1
20	01002511	Nut, 3/8-16, Jam	2	41	02001952	Side Panel, Control, Right	1
21	01002772	Spacer, .375 x .50 x 1.02	2	42	02001955	Side Panel, Control, Left	1
22	01002986	Nut, 3/8-24, Jam, LH Third	2	43	02001573	Rod Connector, 3/8-24 x 11.00 Long	2
23	01003011	Lever, Safety Switch	2				

Drive Assembly- Figure 10 and Parts List

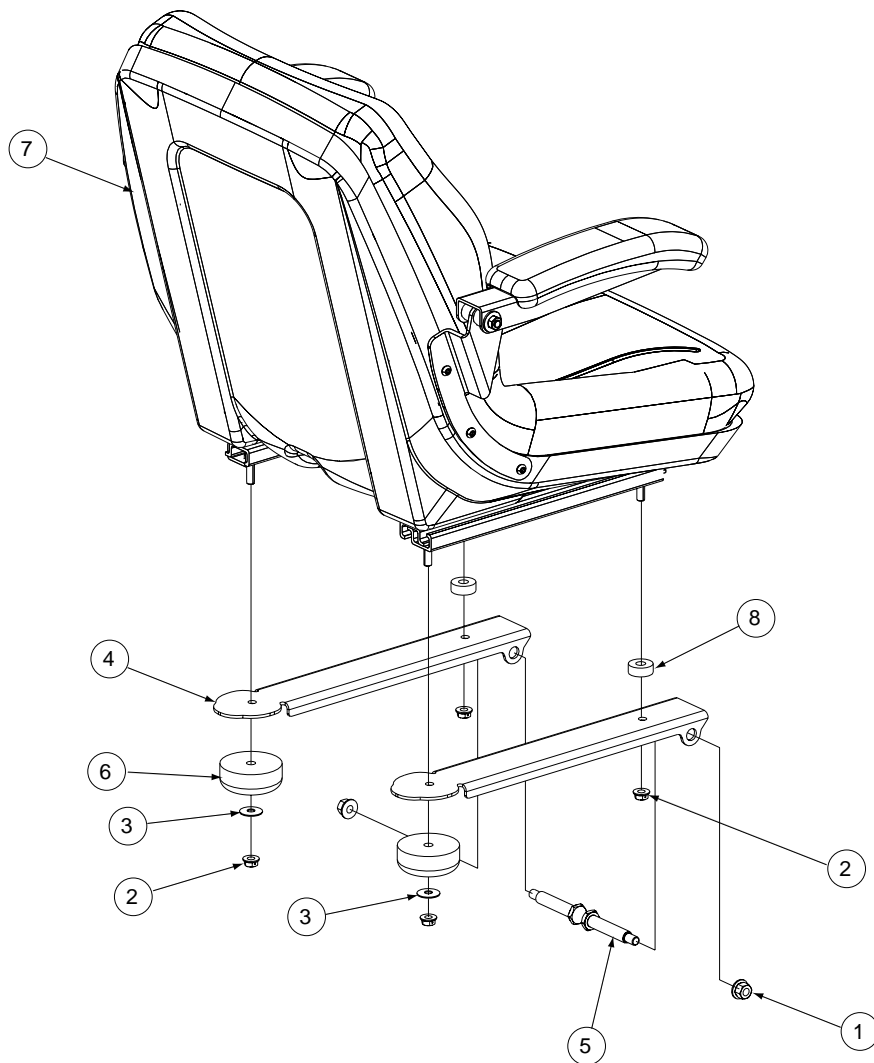


GD: 02001577-01/03/06

Ref. No.	Part No.	Description	Qty.	Ref. No.	Part No.	Description	Qty.
1	00012157	Lock Washer, 3/8	2	15	01009937	Washer, 5/16 x 1.06	4
2	00012747	Hex Cap Screw, 5/16-18 x 2.25	2	16	02001332	Pump Rod	2
3	00022560	Flange Lock Hex Nut, 3/8-16	2	17	02001556	Hex Cap Screw, 5/16-18 x 6.00	2
4	00083192	idler Washer	4	18	02001559	Pump Screen	1
5	01000216	Hose Clamp	4	19	02002161	Trnsmission Assembly, RH includes:	1
6	01000628	Screw, TT, 1/4-20 x .5, Hex Index Washer	4		02002150	Filter	1
7	01000635	Hex Flange Lock Nut, 5/16-18	8	20	02002162	Transmission Assembly, LH includes:	1
8	00006144	Hex Cap Screw, 3/8-16 x 1	2		02002150	Filter	1
9	01001366	Hex Cap Screw, 3/8-16 x 2.25	2	21	02001572	Transmission Support Tube	1
10	01001972	Hex Cap Screw, 5/16-18 x 2.75	4	22	02001578	Hydraulic Tank	1
11	01002771	Cotter Pin, .072 x 1.12 Long	2	23	02001584	Transmission Brace Weldment	1
12	01008620	Self Tapping Screw 5/16-18 x .750	3	24	02001554	Hydraulic Tank Bracket	1
13	--	Hose, .50 ID x .75 OD (in inches)	25	25	00012158	Flat Washer, 3/8	2
14	01009872	Spacer, .370 ID x .500 OD x 3.45	2				

NOTE: Lubricant, 02002058 Quarts, 2.00

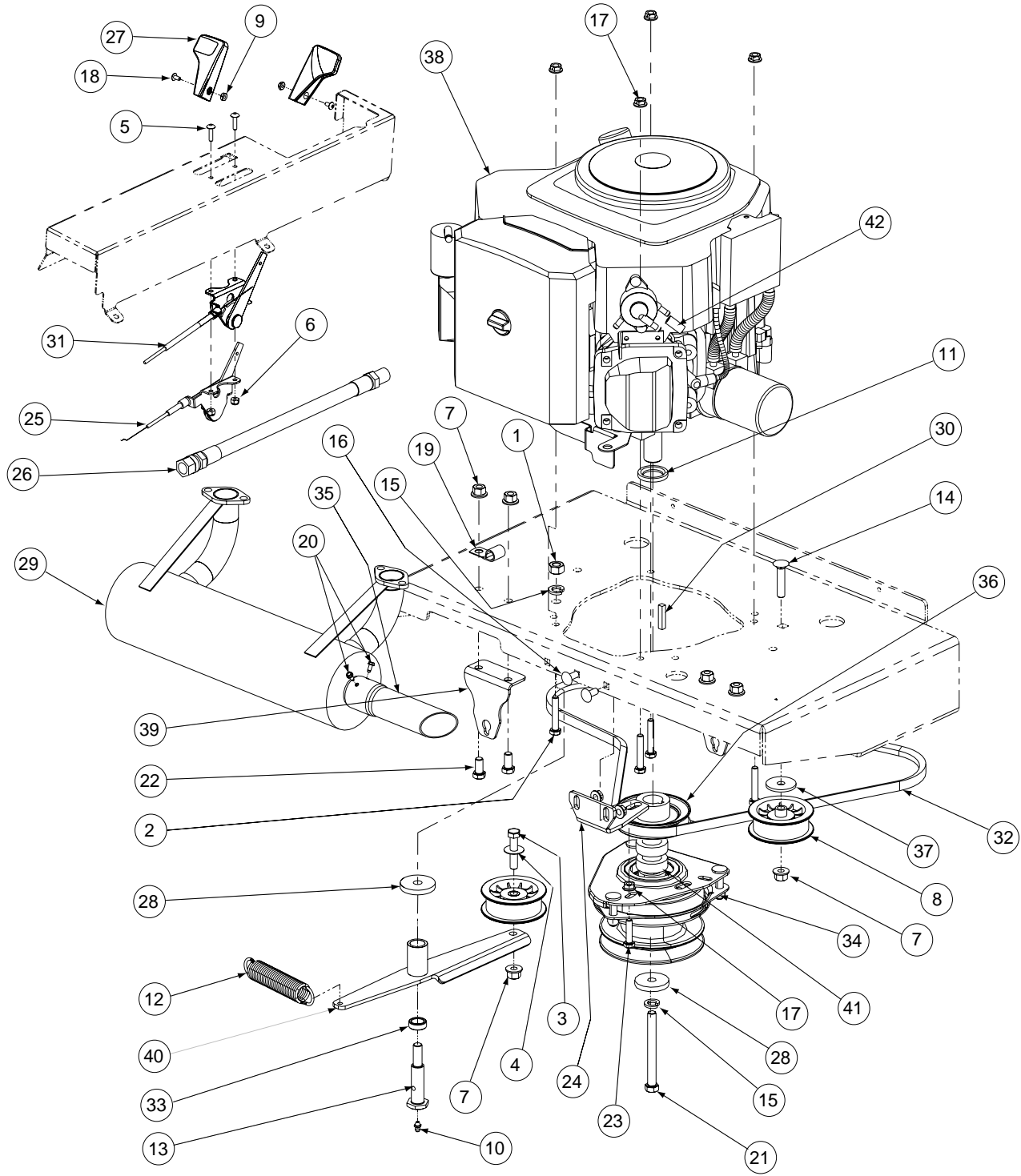
Seat Assembly- Figure 11 and Parts List



GD: 02001969-01/18/06

Ref. No.	Part No.	Description	Qty.
1	00022560	Nut, Hex 3/8-16 Flange Lock	2
2	01000635	Lock Nut, Hex Flange, 5/16-18	4
3	01000960	Flat Washer, .406 ID, 1.00 OD, .105	2
4	01004929	Mounting Bracket, Seat	2
5	01002634	Shoulder Screw, .50x2.345, 3/8-16	2
6	01002753	Grommet, 2.5 OD x 1.0 Long	2
7	02001943	Adjustable Seat, Black	1
	02002255	Armrest Kit	
8	750-3119	Spacer, .406 ID x 1.00 OD x .38	2

23HP Kohler Engine Assembly - Figure 12



Description	Part Number
Air Filter	KH-24-083-03-S
Pre Filter	KH-24-083-05-S
Fuel Filter	KH-24-050-10-S
Oil Filter	KH-12-050-08
Spark Plug	759-3336
Gasket Exhaust (2)	--

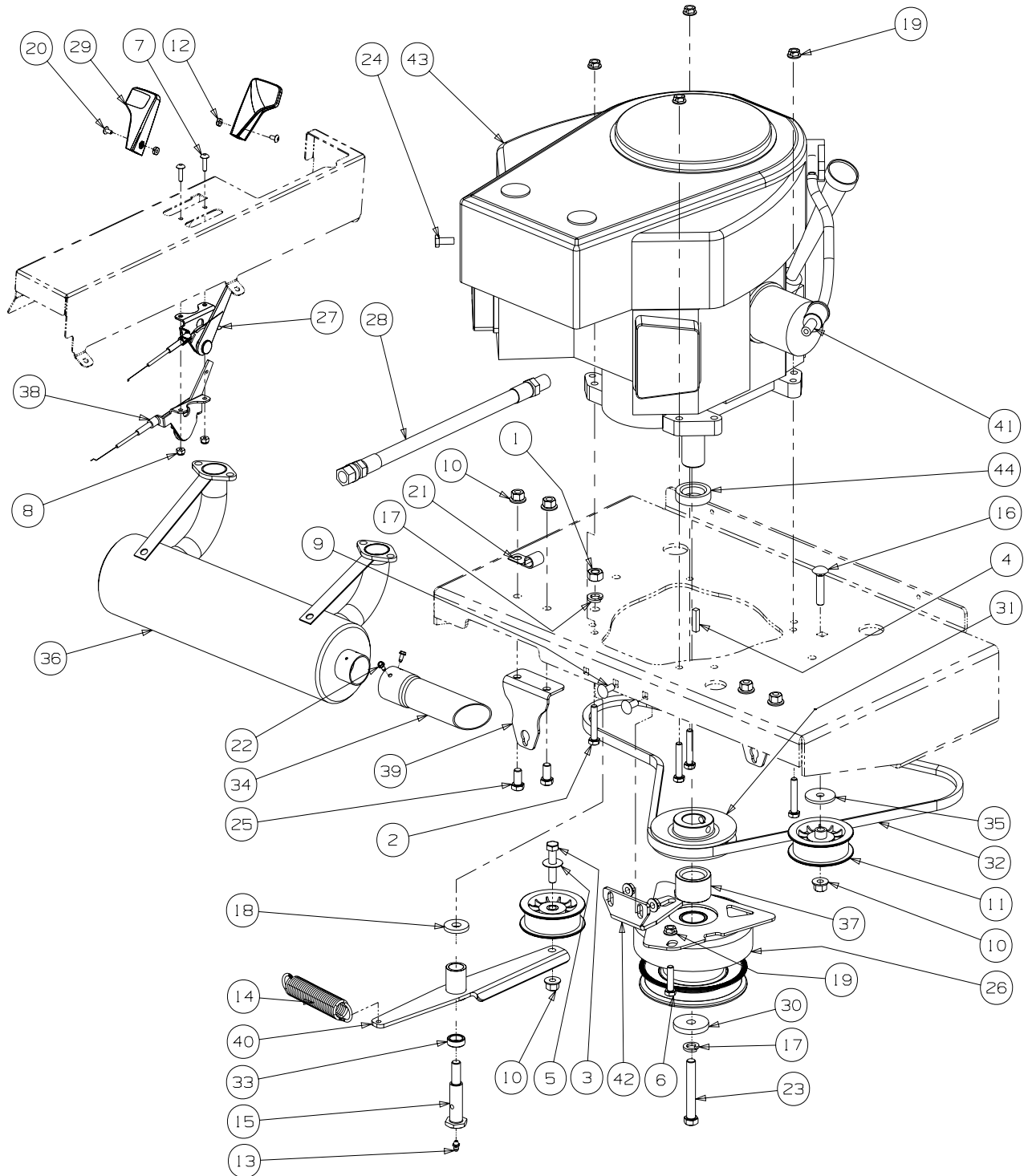
GD: 02001995-02/08/06

23HP Kohler Engine Assembly - Parts List for Figure 12

Ref No	Part No.	Description	Qty.
1	00005763	Hex Nut, 7/16-14	1
2	00006129	HHCS, 5/16-18, 1-3/4	4
3	00008495	Capscrew, 3/8-16 x 1-3/4	1
4	00012158	Washer	1
5	00014602	Round Hd. Machine Screw, 10-32 x 3/4	2
6	00014608	Lock Nut, Nylon Insert, 10-32	2
7	00022560	Flange Lock, Hex Nut, 3/8-16	6
8	00030782	Idler Pulley w/ Adaptor	2
9	00060056	Nut Washer, W/Star, 8-32	2
10	00060078	Grease Fitting, 1/4-28 x 3/16	1
11	00073094	Engine Spacer	1
12	01000199	Extension Spring, 1.0 OD x 5.00	1
13	01000302	Shoulder Screw, 7/16-14	1
14	01000364	Hex Carriage Screw, 3/8-16, 1.75	1
15	01000389	Lock Washer, 7/16	2
16	00020508	Carriage Bolt:5/16-18 x 3/4	2
17	01000635	Hexflange Lock Nut, 5/16-18	7
18	01000721	Machine Screw, 8-32, .375	2
19	01000728	Clip, Heat Shield Cable	1
20	01000811	Tube Clamp, 1.375	2
21	01008637	HHCS, 7/16-20 x 4.00	1
22	01002601	Hex Cap Screw, 3/8-16, .750	4
23	00013116	Hex Cap Screw:5/16-18 x 1-1/4	1
24	02001994	Retainer Clutch Assembly, Ogura	1
25	01003273	Throttle, Control Cable, 45.0	1
26	01003283	Oil Drain Hose	1
27	01004004	Control Throttle Knob	2
28	01005314	Flat Washer, 7/16 IDx 1.750 OD x .250T	2
29	01006566	23HP Kohler Exhaust	1
30	00025344	Key, 1/4 x 1/4 x .875	1
31	01008256	Choke, Control Cable, 38.0	1
32	01008349	V-Belt, 56.00	1
33	01008404	Spacer, .635 ID x .28	1
34	717-04183	Electric Clutch	1
35	01008623	Muffler Accessory Exhaust Tube	1
36	01007339	Transmission Drive Pulley	1
37	01009253	Washer, 5/16-18	1
38	KH-PA-75592	23HP Kohler Engine	1
39	02001545	Neutral Lock Mounting Bracket	2
40	02001596	Engine Idler Arm Assembly Includes:	1
	01000308	Bearing	2
41	00023821	Spacer, 1.015 ID x 1.62 OD x .50	2
42	--	Hose, 1/4" Dia.	1

Note: Use 10W40 Engine Oil

23HP Kawasaki Engine Assembly - Figure 13



Description	Part Number
Air Filter	
Pre Filter	
Fuel Filter	
Oil Filter	
Spark Plug	
Gasket Exhaust (2)	--

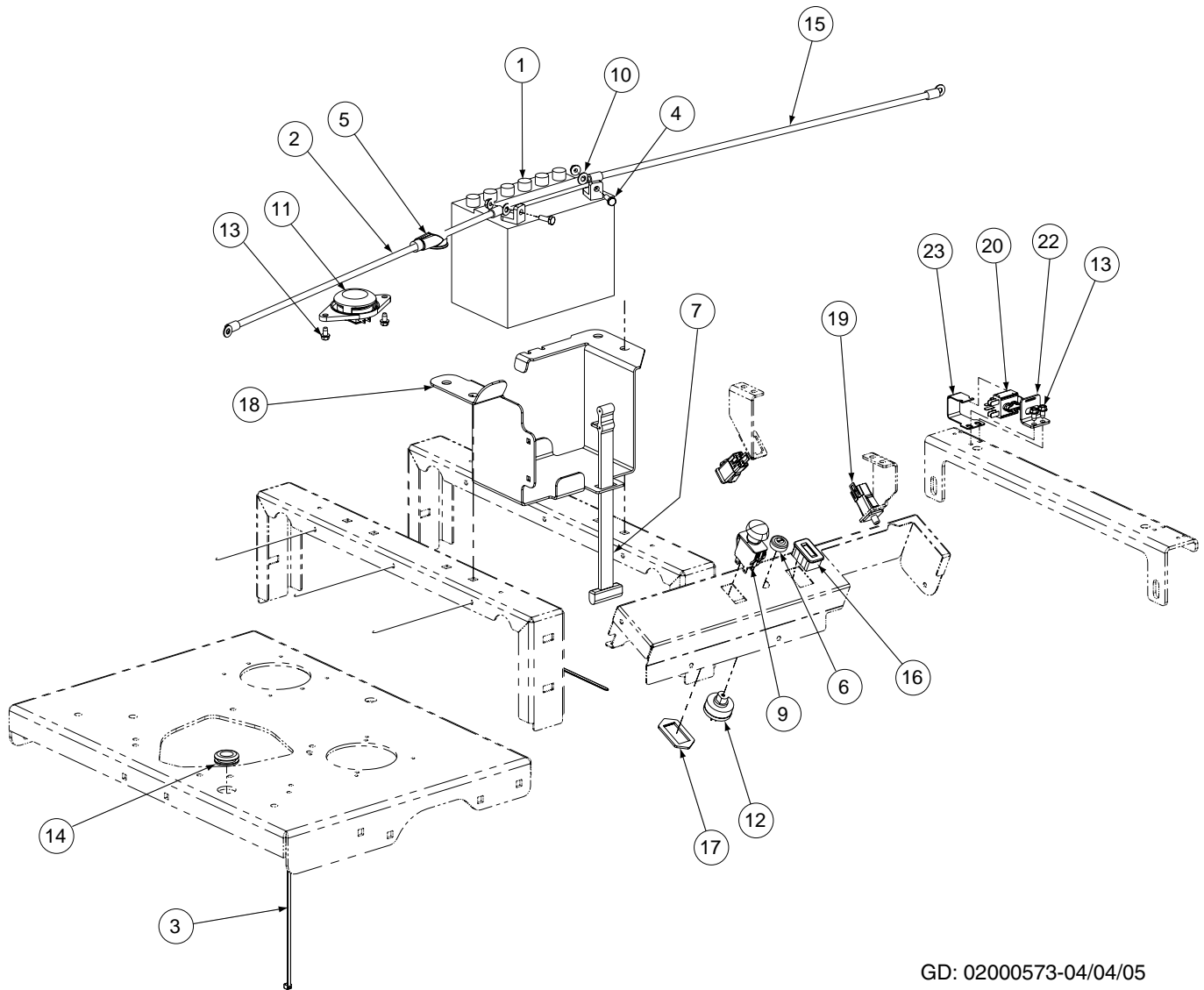
GD: 02001996-02/08/06

23HP Kawasaki Engine Assembly - Parts List for Figure 13

Ref No	Part No.	Description	Qty.
1	00005763	Hex Nut, 7/16-14	1
2	00006129	HHCS, 5/16-18, 1-3/4	4
3	00008495	Capscrew, 3/8-16 x 1-3/4	1
4	00025344	Key, 1/4 x .875	1
5	00012158	Washer	1
6	00013116	Hex Cap Screw, 5/16-18 x 1.25	1
7	00014602	Round Hd. Machine Screw, 10-32 x 3/4	2
8	00014608	Lock Nut, Nylon Insert, 10-32	2
9	00020508	Carriage Bolt, 5/16-18 x .75	2
10	00022560	Flange Lock, Hex Nut, 3/8-16	6
11	00030782	Idler Pulley w/ Adaptor	2
12	00060056	Nut Washer, W/Star, 8-32	2
13	00060078	Grease Fitting, 1/4-28 x 3/16	1
14	01000199	Extension Spring, 1.0 OD x 5.00	1
15	01000302	Shoulder Screw, 7/16-14	1
16	01000364	Hex Carriage Screw, 3/8-16, 1.75	1
17	01000389	Lock Washer, 7/16	2
18	01005314	Washer, 7/16 ID x 1.75 OD x .25	1
19	01000635	Hexflange Lock Nut, 5/16-18	7
20	01000721	Machine Screw, 8-32, .375	2
21	01000728	Clip, Heat Shield Cable	1
22	01000811	Tube Clamp, 1.375	2
23	01000813	Hex Cap Screw, 7/16-20 x 3.0	1
24	01000981	Hex Cap Screw, 1.25 x 20mm	1
25	01002601	Hex Cap Screw, 3/8-16, .750	4
26	02002160	Electric Clutch	1
27	01003271	Choke Control Cable, 43.0	1
28	01003283	Oil Drain Hose	1
29	01004004	Control Throttle Knob	2
30	01005314	Flat Washer, 7/16 IDx 1.750 OD x .250T	1
31	01007340	Pulley, Cast, 1.125" Bore	1
32	01008349	V-Belt, 56.00	1
33	01008404	Spacer, .635 ID x .28	1
34	01008623	Muffler Accessory Exhaust Tube	1
35	01009253	Washer, 5/16-18	1
36	01009299	Muffler Accessory, Kawasaki	1
37	01009591	Spacer, 1.75 OD x 1.135 ID x 1.125	1
38	02000645	Throttle, Control Cable, 39.0	1
39	02001545	Neutral Lock Mounting Bracket	2
40	02001596	Engine Idler Arm Assembly Includes:	1
	01000308	Bearing	2
41	--	Hose, 1/4" Dia	1
42	02001994	Retainer Clutch Assembly, Ogura	1
43	02001993	23HP Kawasaki Engine	1
44	02002158	Engine Spacer	1

Note: Use 10W40 Engine Oil

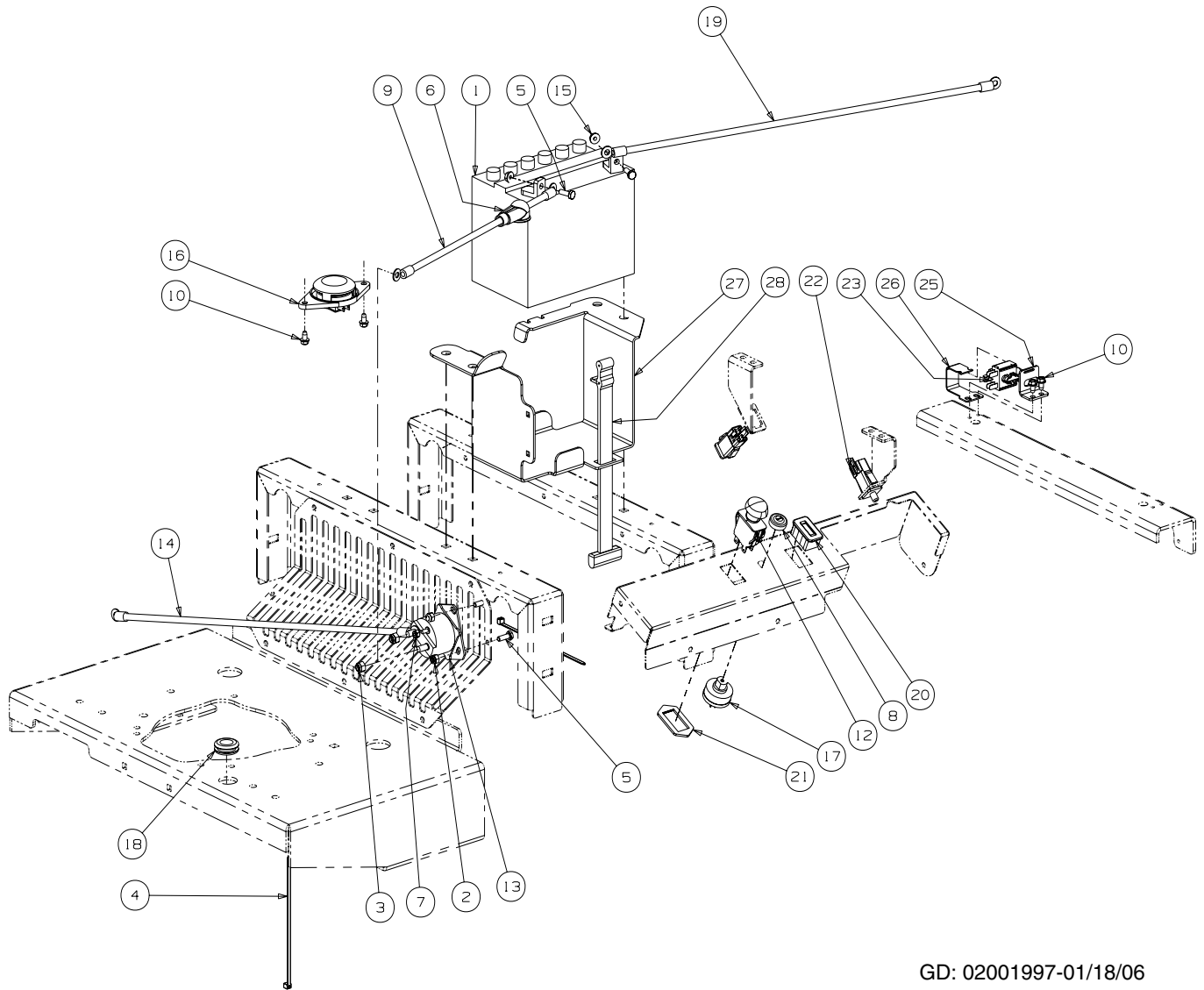
23HP Kohler Electrical Assembly - Figure 14 and Parts List



GD: 02000573-04/04/05

Ref. No.	Part No.	Description	Qty.	Ref. No.	Part No.	Description	Qty.
1	00012032	Battery	1	13	01000628	Screw, TT, 1/4-20 x .5, Hex Index Washer	4
2	00012289	Cable, Battery, Red, 36"	1	14	01004040	Grommet, .75 ID	1
3	00012470	Tie, Cable, 3/16 x .05 x 7.4"	5	15	01004078	Cable, Battery Black, 28"	1
4	00013131	Screw, Hex, Cap, 1/4-20 x .75	2	16	01005389	Meter, Hour	1
5	00013258	Boot, 1" OD Rubber Battery-PST, Red	1	17	01009905	Bracket, PTO Switch Retainer	1
6	00032097	Nut, W/Cap, 5/8-32 Ignition	1	18	02000909	Mount Bracket, Battery	1
7	723-3064	Strap, Battery	1	19	02000024	Switch, Safety	2
8	01001811	Hourmeter, Harness (not shown)	1	20	02000165	Switch, Plunger	1
9	01002111	Switch, Electric, PTO	1	21	02000167	Harness Assembly, kohler (not shown)	1
10	01002766	Nut, 1/4-20, Hex Flange Lock Nut	2	22	02000349	Switch Bracket Mount	1
11	01003277	Switch, Seat N/C	1	23	02000348	Switch Clamp	1
12	01003581	Switch, Ignition, 6 Pin	1				

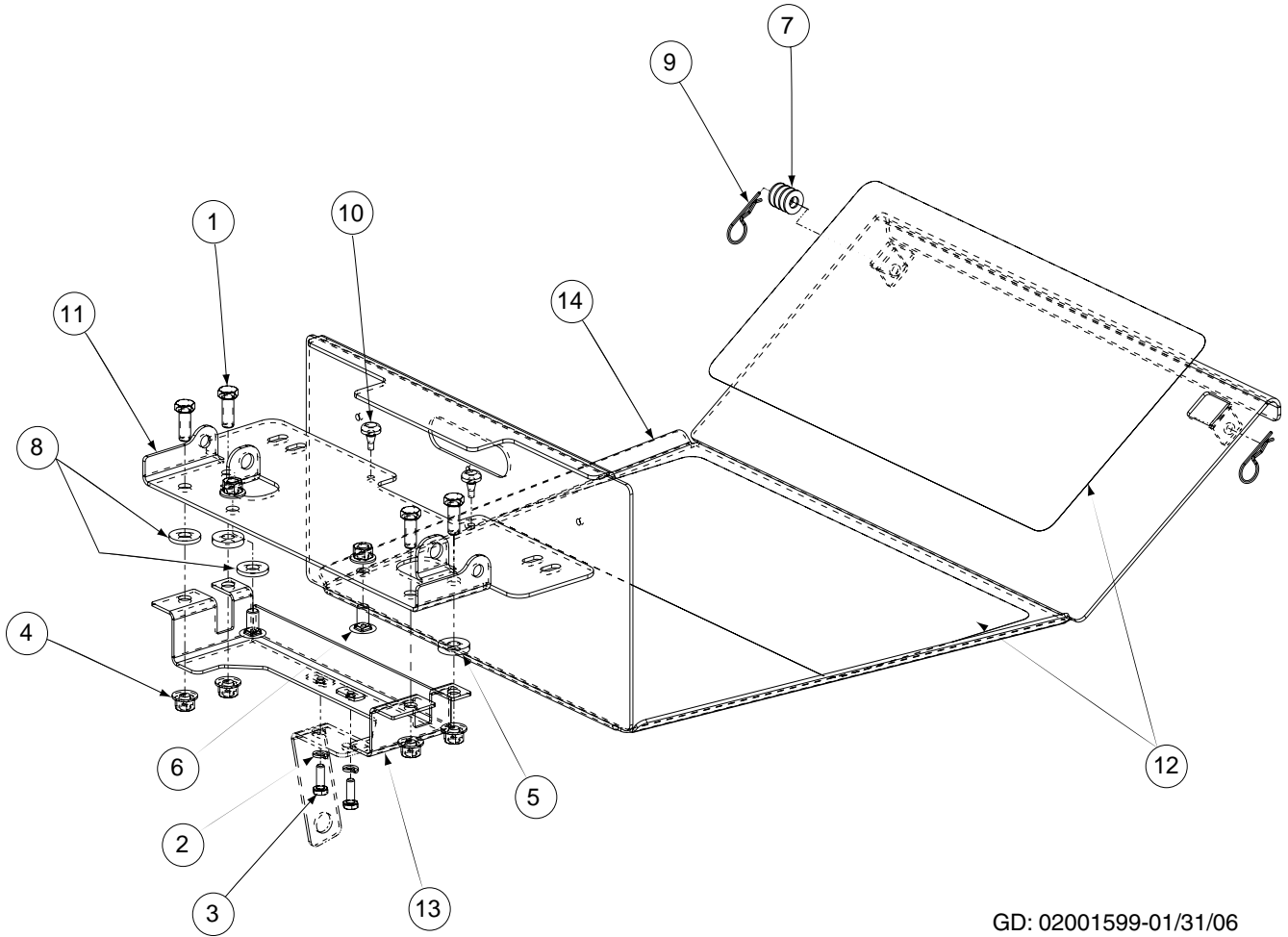
23HP Kawasaki Electrical Assembly - Figure 15 and Parts List



GD: 02001997-01/18/06

Ref. No.	Part No.	Description	Qty.	Ref. No.	Part No.	Description	Qty.
1	00012032	Battery	1	15	01002766	Nut, 1/4-20, Hex Flange Lock Nut	2
2	00012152	Lock Nut, Nylon Insert, 1/4-20	2	16	01003277	Switch, Seat N/C	1
3	00012165	Nut, 5/16-18, Nylock	2	17	01003581	Switch, Ignition, 6 Pin	1
4	00012470	Tie, Cable, 3/16 x .05 x 7.4"	5	18	01004040	Grommet, .75 ID	1
5	00013131	Screw, Hex, Cap, 1/4-20 x .75	4	19	01004078	Cable, Battery Black, 28"	1
6	00013258	Boot, 1" OD Rubber Battery-PST, Red	1	20	01005389	Meter, Hour	1
7	00014608	Lock Nut, Nylon Insert, 10-32	1	21	01009905	Bracket, PTO Switch Retainer	1
8	00032097	Nut, W/Cap, 5/8-32 Ignition	1	22	02000024	Switch, Safety	2
9	00095773	Battery Cable, 15" Red	1	23	02000165	Switch, Plunger	1
10	01000628	Screw, TT, 1/4-20 x .5, Hex Index Washer	4	24	02000166	Harness Assembly, kawasaki (not shown)	1
11	01001811	Hourmeter, Harness (not shown)	1	25	02000349	Switch Bracket Mount	1
12	01002111	Switch, Electric, PTO	1	26	02000348	Switch Clamp	1
13	01002228	Solenoid	1	27	02000909	Mount Bracket, Battery	1
14	01002252	Battery Cable, 24" Red	1	28	723-3064	Strap, Battery	1

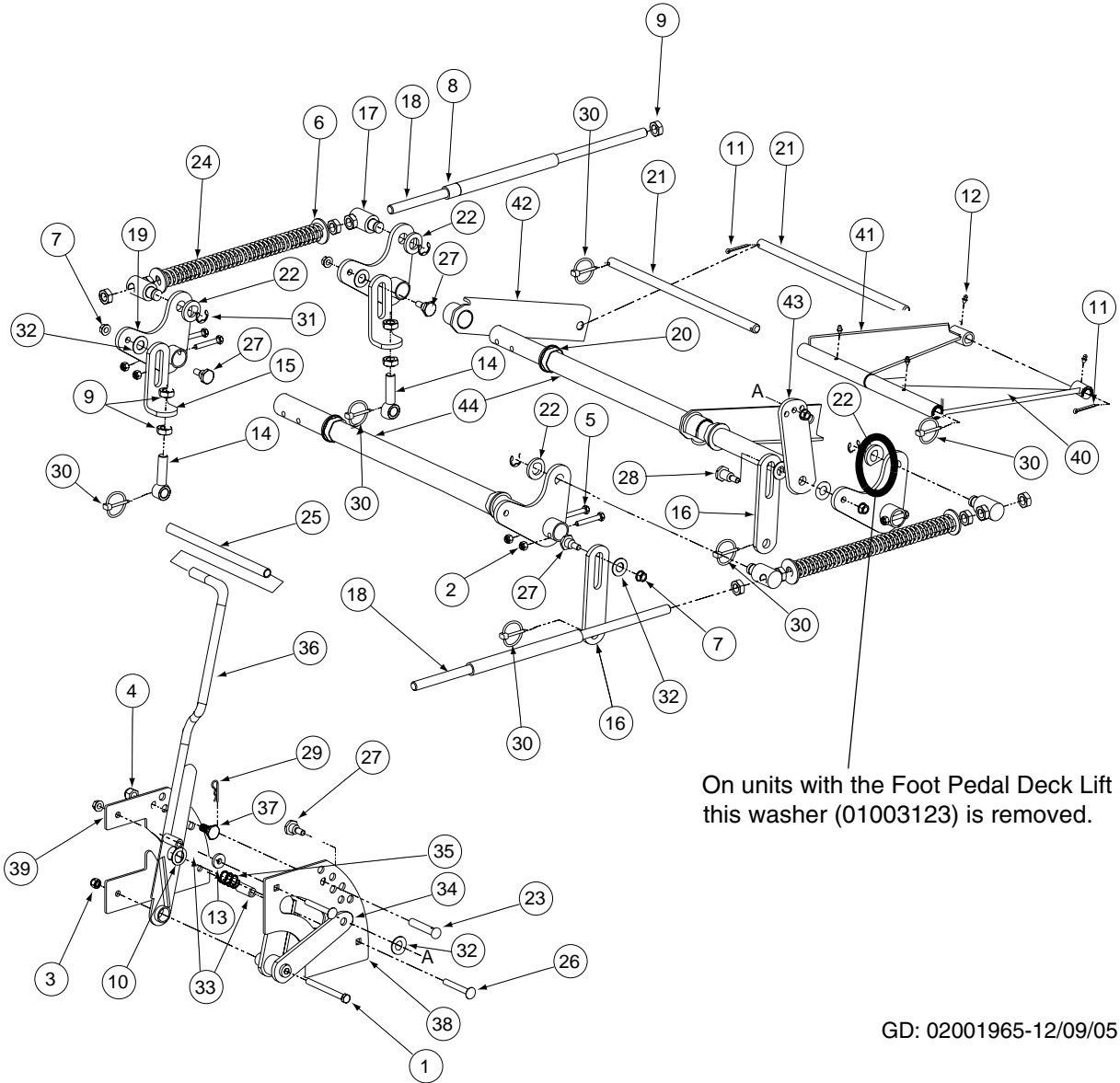
Floor Panel Assembly- Figure 16 and Parts List



GD: 02001599-01/31/06

Ref. No.	Part No.	Description	Qty.
1	00006144	Hex Cap Screw, 3/8-16, x 1	4
2	00012132	Lock Washer, 1/4	2
3	00013131	Hex Cap Screw, 1/4-20, .75	2
4	00022560	Hex Nut, Flange Lock, 3/8-16	6
5	00083192	Washer	2
6	01000372	Carriage Bolt, 3/8-16 x .75 Long	2
7	00012158	Flat Washer, 3/8	AR
8	01000723	Flat Washer, .406 ID, 1.0 OD, .105	2
9	00021956	Hair Pin	2
10	01001170	Rubber Bumper, .62 OD x .22 Thick	2
11	01004905	Panel Seat	1
12	01006528	Foot Abrasive Pad	2
13	02001956	Support, Seat Bracket	1
14	02001598	Floor Panel Assembly	1

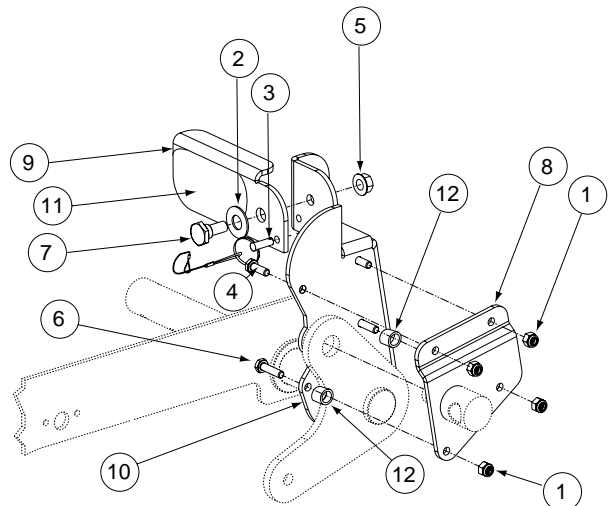
Lift Assembly - Figure 17



GD: 02001965-12/09/05

OPTIONAL FOOT PEDAL DECK LIFT

Ref. No.	Part No.	Description	Qty.
1	00012152	Lock Nut, Nylon Insert, 1/4-20	4
2	00012577	Washer, 1/2 x 1 Shim	1
3	01006786	Detent Pin w/Lanyard, 1/4"	1
4	00013131	Hex Cap Screw, 1/4-20, .75	2
5	00022560	Hex Nut, Flange Lock 3/8-16	1
6	01000944	Hex Cap Screw, 1/4-20, 1.00	2
7	01004118	Shoulder Screw, .50x.27 Lg., 3/8-16	1
8	01006409	Foot Lift Backup Pedal	1
9	01006352	Deck Foot Pedal Lift	1
10	01008359	Deck Foot Pedal Lift Holder	1
11	01006418	Deck Foot Lift Pad	1
12	00062715	Turnbuckle Sleeve	2

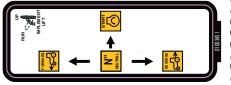


Lift Assembly - Parts List for Figure 17

Ref. No.	Part No.	Description	Qty.
1	00011925	Hex Cap Screw, 3/8-16, 3.75	1
2	00012165	Nut, 5/16-18, Nylock	8
3	00012173	Nylock Insert Lock Nut, 3/8-16	1
4	00012428	Nylock Insert Lock Nut, 1/2-13	1
5	01007962	Socket Head Capscrew, 5/16-18 x 2	8
6	00013432	Flat Washer, 5/8	4
7	00022560	Hex Nut, Flange Lock, 3/8-16	7
8	01006823	PVC Hose, 5/8 ID x 13/16 OD x 8"	2
9	00035632	Jam Nut, 5/8-11	14
10	00060017	Flat Washer, .06, .776, 1.25	1
11	00060018	Cotter Pin, 3/16 x 1-1	2
12	00060078	Grease Fitting, 1/4-28 x 3/16	4
13	00083192	Idler Washer	1
14	01001744	Eye Bolt, 5/8ID	2
15	01004917	Eye Bolt Mount Link, 5/8 ID	2
16	02000562	Deck Link	2
17	01001855	Ferule Lift	4
18	01001857	Lift Connector Rod	2
19	01008207	Bellecrank Weldment Lift	4
20	01001930	Hex Flange Bearing, 1.25 ID	4
21	01002586	Front Lift Link, Rod Mount	2
22	01003123	Spacer, .812 ID x .218 Lg.	4
23	01003284	Clevis Pin, .500 Dia. x 2.625 Lg.	1
24	01003318	Lift Compression Spring	2
25	01007561	Lift Handle Grip	1
26	01003534	Carriage Bolt, 3/8-16, 2.75	2
27	01003535	Shoulder Screw, 0.625 OD x .437 Lg.	4
28	01003536	Shoulder Screw, 0.625 OD x .830 Lg.	1
29	01003537	Cotter Pin, .148 x 3.00	1
30	01003993	Linch Pin, 3/16	6
31	01003994	E Clip, 3/4 Dia.	4
32	01004003	Nylon Flat Washer, 5/8	6
33	01004080	Spacer, .39 ID x .63 OD x 1.442	2
34	01004924	Lift Pivot Assembly	1
35	01004971	Lift Handle Spring	1
36	01007469	Lift Handle Assembly	1
37	01004984	Shoulder Screw, 5/8 OD x 0.264	1
38	01007368	Outer Lift Index Plate	1
39	01007371	Inner Lift Index Plate	1
40	01001738	Bearing Lift Brace Assembly, Right Hand	1
41	01003991	Bearing Lift Brace Assembly, Left Hand	1
42	01005569	Front Frame Strut Assembly	2
43	01006365	Lift Link Adjustment	1
44	01007681	Lift Shaft Holder	2



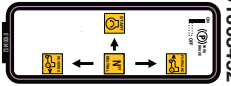
00090006
ADD TO THE LEFT OF THE REAR
BUMPER "CUB CADET" DECAL



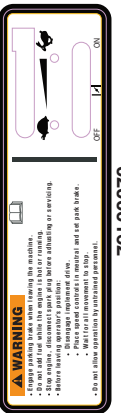
01003451



02000163



01003452



02000162



777D09730
CENTERED ON REAR

INFO LABEL UNDER
DOOR



777D09770

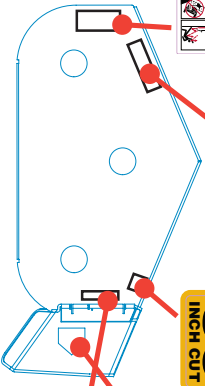
777D09772
ADD TO THE DRIVERS
LEFT SIDE OF THE TOP
OF THE DECK



777S32598



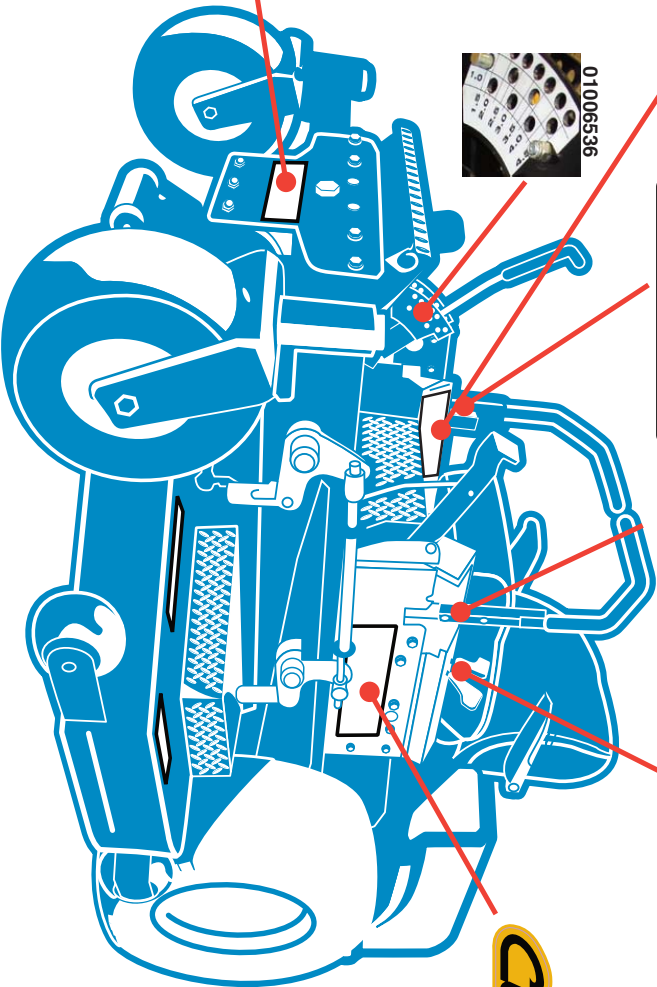
777D09749



777S30503



777S30145/or
01002166



(QTY 2) 777D09156
ON EACH SIDE



(QTY 2) 00030635
Under Each Belt Guard

**KOHLER LABEL
ENGINE PROVIDED
AND APPLIED BY
MANUFACTURER**



Cub Cadet LLC
P.O. Box 361131
Cleveland, OH 44136