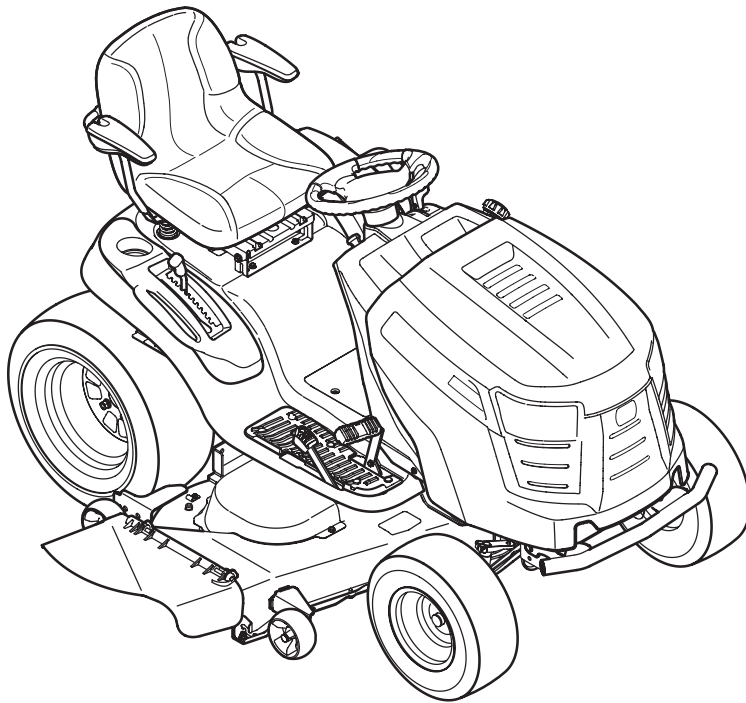

Cub Cadet[®]

ILLUSTRATED PARTS MANUAL



Hydrostatic Lawn Tractor — SLTX1054

CUB CADET LLC, P.O. BOX 361131 CLEVELAND, OHIO 44136-0019

To The Owner

Thank you for purchasing an Cub Cadet Lawn Tractor. It was carefully engineered to provide excellent performance when properly operated and maintained.

All information in this manual is relative to the most recent product information available at the time of printing. Please be aware that this Illustrated Part's Manual may cover a range of product specifications for various models.

Components listed and/or illustrated in this manual may not be applicable to all models. We reserve the right to change product specifications, designs and equipment without notice and without incurring obligation.

Throughout this manual, all references to *right* (RH) and *left* (LH) are observed from the operating position.

Table of Contents

| | | | |
|-----------------------------------|--------------|--|-----------|
| Axle, Front | 4 | Deck Lift Handle/Linkage | 8 |
| Battery | 6 | Labels | 20 |
| Head Lamps | 10 | Meter, Systems Indicator | 10 |
| Mower Deck, 54-inch | 14 | Muffler | 19 |
| Pedal Controls | 12 | PTO | 6 |
| Dash Panel | 10 | Seat | 8 |
| Drive System | 12 | Solenoid | 6 |
| Electrical Schematic | 21 | Steering | 4 |
| Engine Accessories | 19 | Switches, Interlock | 6 |
| Engine, Kohler SV735 | 22-37 | Throttle Control | 10 |
| Fender | 8 | Transmission, Hydrostatic | 16 |
| Frame | 6 | Wheels, Front & Rear | 3 |
| Fuel Tank | 10 | | |
| Hood | 10 | | |

Record Product Information

To ease in ordering replacement parts, please locate the model plate on the equipment and record the information in the provided area to the right. You can locate the model plate by looking beneath the seat.

MODEL NUMBER

| | | | | | | | | | | |
|--|--|--|--|--|--|--|--|--|--|--|
| | | | | | | | | | | |
|--|--|--|--|--|--|--|--|--|--|--|

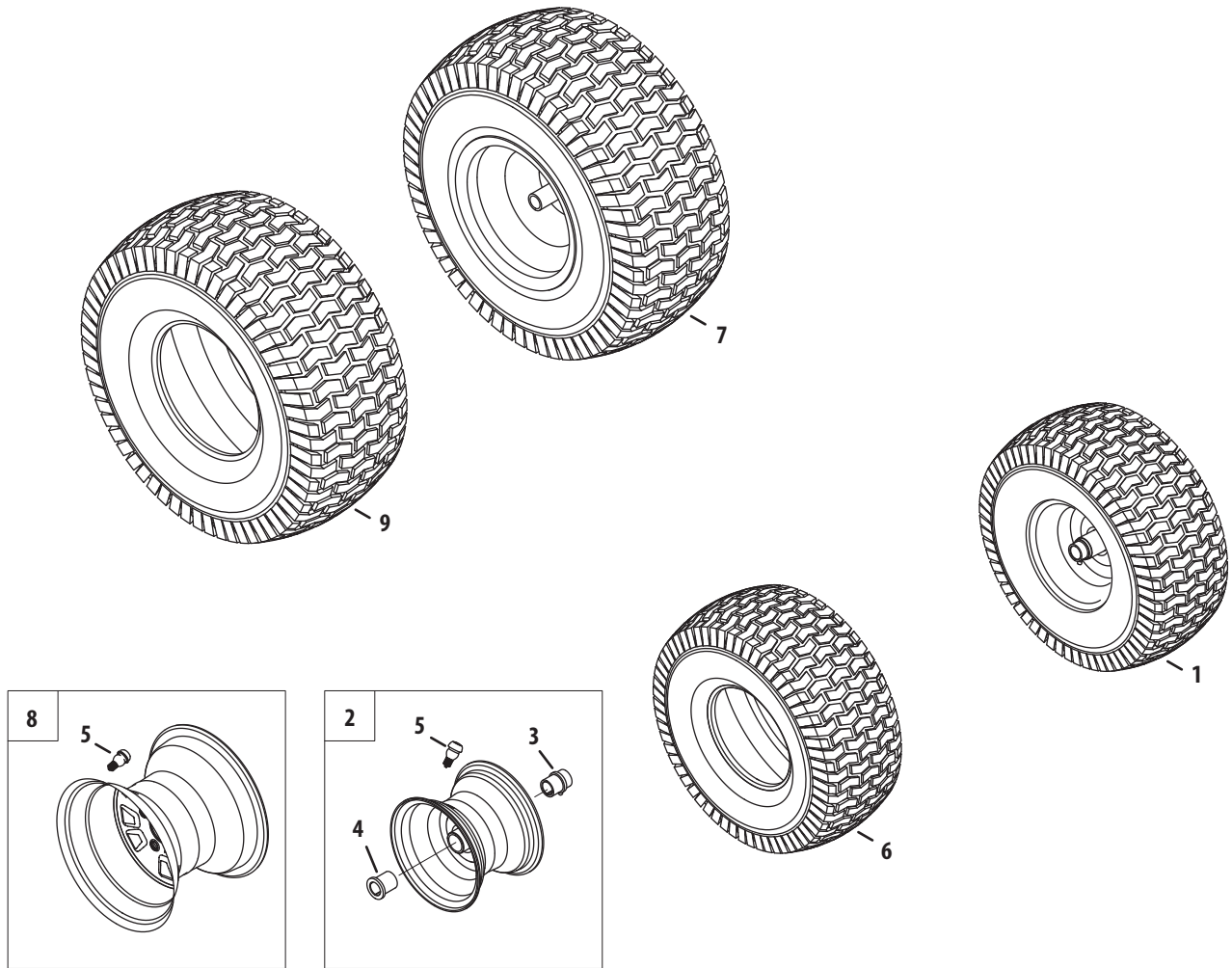
SERIAL NUMBER

| | | | | | | | | | | |
|--|--|--|--|--|--|--|--|--|--|--|
| | | | | | | | | | | |
|--|--|--|--|--|--|--|--|--|--|--|

Painted Parts

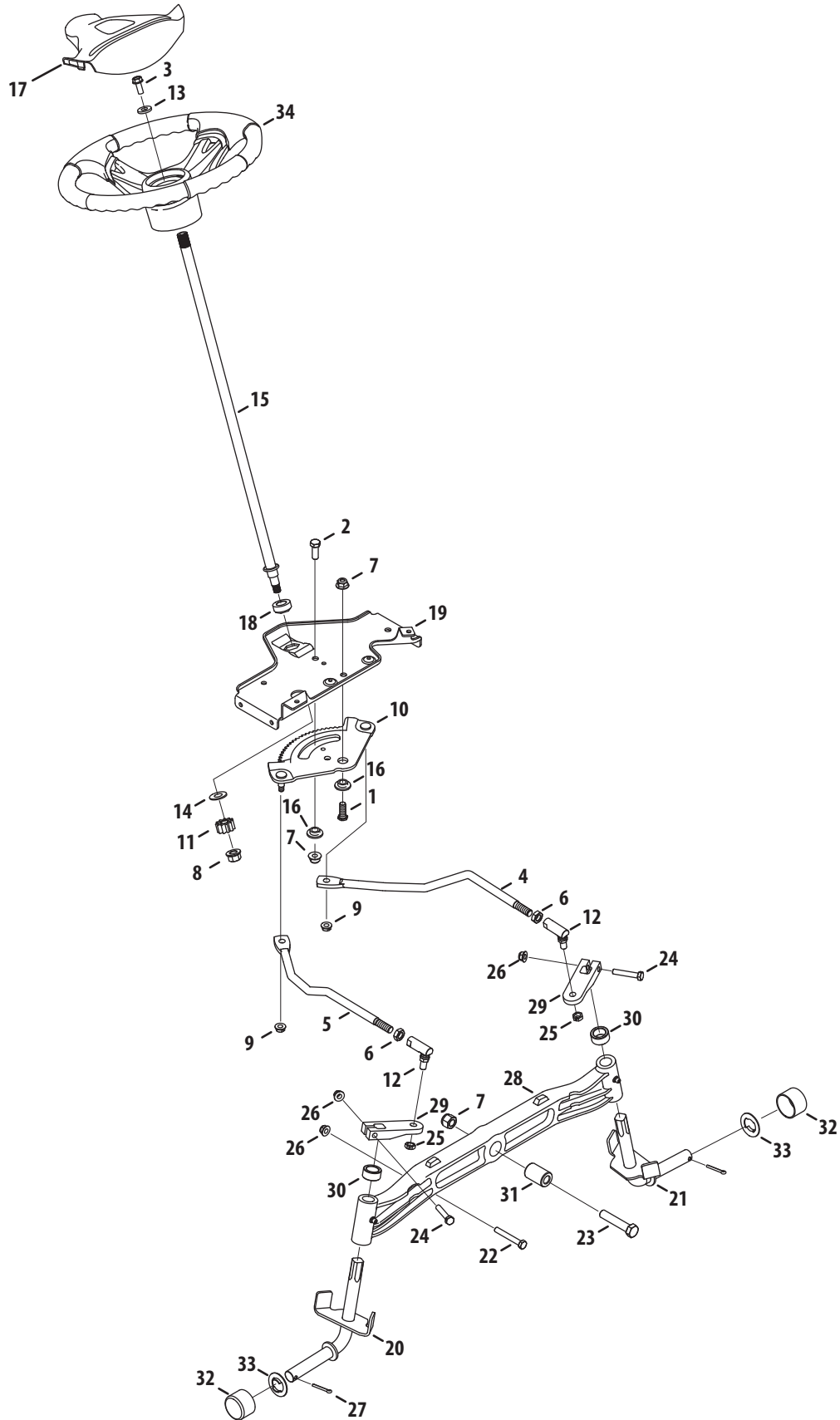
When ordering painted service parts, a four digit color suffix must be added to the part number (e.g. 783-XXXXX-0637). Please refer to the table below for current color codes:

| | | | |
|------|--------------------|------|-----------------------------------|
| 0637 | Black | 0685 | Blue (Cub Cadet) |
| 4021 | Yellow (Cub Cadet) | 0691 | Black Jack (Cub Cadet Commercial) |
| 0499 | Beige (Cub Cadet) | | |



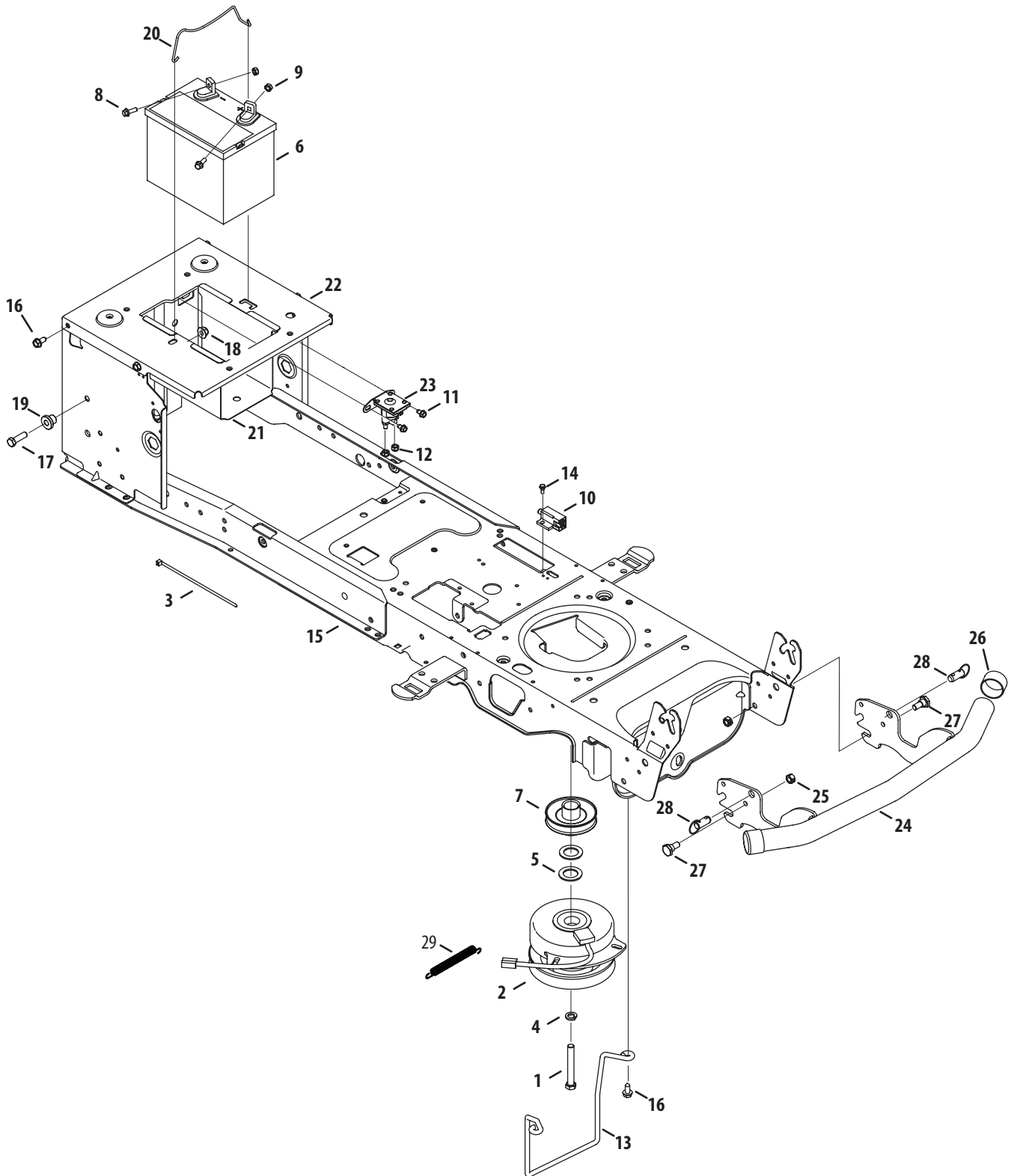
| Ref. | Part Number | Description |
|------|----------------|--|
| 1. | — | Wheel Ass'y, Complete, 16 x 6 x 5.8 |
| 2. | 634-04082-0499 | Rim Ass'y, 8.0 x 5.3, Plastic Bearings |
| 3. | 741-0990B | Bearing, Flange, .760 ID w/ Fitting |
| 4. | 741-0516B | Bearing, Flange, .760 x 1.00 x 1.20 |
| 5. | 934-0255 | Valve, Tubeless Air |
| 6. | 734-1727 | Tire, 15 x 6.5 x 8 Sq Shoulder |
| 7. | 634-04210-0931 | Wheel, Complete, 22 x 9.5 x 12 |
| 8. | 634-04238-0499 | Rim Ass'y, 12.0 x 7.0 |
| 9. | 734-04174 | Tire, 22 x 9.5 x 12 Sq Shoulder |

Steering



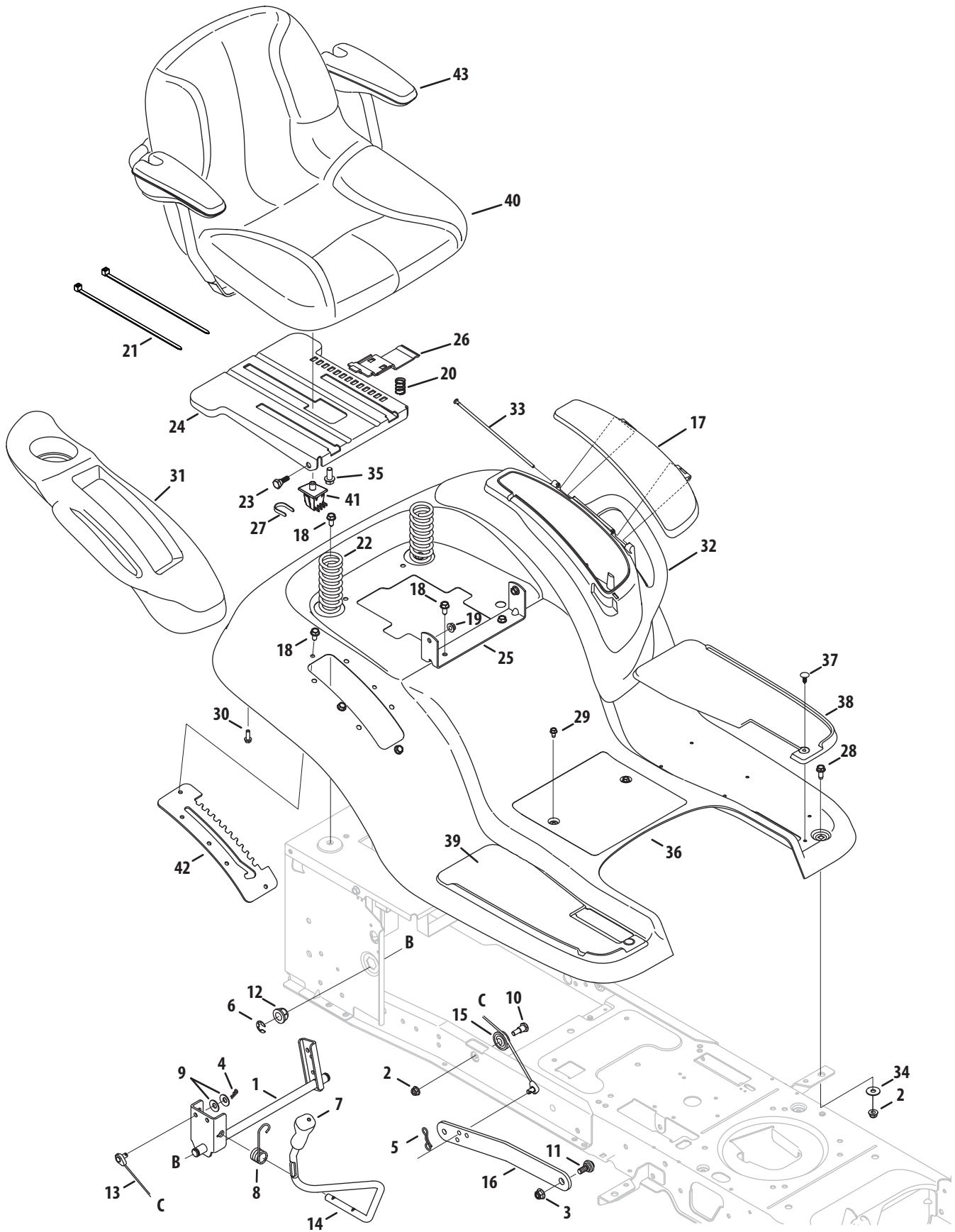
| Ref. | Part Number | Description |
|------|-------------|---------------------------------------|
| 1. | 710-04095 | Hex Screw, 3/8-16, 1.00, Gr5, Spec |
| 2. | 710-0514 | Hex Screw, 3/8-16, 1.00, Gr5, Std |
| 3. | 710-0650 | Hex Screw, 5/16-18, .875, Gr5, Lock |
| 4. | 711-04998 | Link, Drag LH |
| 5. | 711-04999 | Link, Drag RH |
| 6. | 912-0240 | Nut, Jam, 7/16-20, Gr2 |
| 7. | 712-04065 | Nut, Flange Lock, 3/8-16, Grf, |
| 8. | 712-0459 | Nut, Flange Lock, 7/16-20, Grb, Lock |
| 9. | 712-3004A | Nut, Flange Lock, 5/16-18, Gr5, Sd Lk |
| 10. | 717-1550F | Gear, Steering, 11/90 Ratio |
| 11. | 717-1554 | Gear, Pinion, Steering |
| 12. | 923-0448A | Ball Joint, 7/16-20, Lock |
| 13. | 936-3004 | Washer, Flat, .406 x .875 x .105 |
| 14. | 736-3084 | Washer, Flat, .51 x 1.12 x .06 |
| 15. | 738-04262 | Shaft, Steering, .625 OD x 25, Cub |
| 16. | 738-04363 | Spacer, Shoulder, .385x 1.25 x .3025 |
| 17. | 731-04532B | Cover, Steering Wheel, Cub Cadet |
| 18. | 741-04237B | Bearing, Flange, Hex 5/8 Pm |
| 19. | 783-06043 | Bracket, Support, Steering |
| 20. | 638-04029 | Axle Ass'y, RH .750 Dia. |
| 21. | 638-04030 | Axle Ass'y, LH .750 Dia. |
| 22. | 710-0395 | Hex Screw, 5/16-18, 2.25, Gr5, Std |
| 23. | 710-0859 | Hex Screw, 3/8-16, 2.50, Gr5, Std |
| 24. | 710-3180 | Hex Screw, 5/16-18, 1.75, Gr5, Std |
| 25. | 912-0214 | Nut, Hex Lock, 3/8-24, Grb |
| 26. | 712-04063 | Nut, Flange Lock, 5/16-18, Grf |
| 27. | 714-0162 | Pin, Cotter, 5/32, 1.25 |
| 28. | 719-04413A | Axle, Pivot Bar, Cast |
| 29. | 748-04065 | Steering, Block |
| 30. | 748-04068 | Spacer, .71 ID x .125 OD x .56 |
| 31. | 750-05280 | Spacer, .385 x 1.00 x 1.5075 |
| 32. | 731-08049 | Cap, Bumper |
| 33. | 736-04228A | Washer, Flat, .350 x 1.559 x .062 |
| 34. | 631-04008A | Wheel, Steering, 3 Spoke, Softgrip |

Frame, Electrical and PTO



| Ref. | Part Number | Description |
|------|-------------|-------------------------------------|
| 1. | 710-04379A | Hex Screw, 7/16-20, 3.50, Gr5, Lock |
| 2. | 917-1774C | Clutch, Electric PTO |
| 3. | 725-0157 | Cable, Tie, 3/16 X .05 X 7.4 |
| 4. | 936-0171 | Washer, Lock, 7/16 , Regular Duty |
| 5. | 736-0277 | Washer, Flat, 1.031 X1.620 X.095 |
| 6. | 925-1707D | Battery |
| 7. | 756-0978B | Engine Pulley, Electric PTO |
| 8. | 710-04666 | Hex Flange Screw, 1/4-20, .75, Gr5 |
| 9. | 712-0271 | Nut, Sems, 1/4-20 |
| 10. | 725-04363 | Switch, Interlock |
| 11. | 710-0653 | Screw, Self-tapping, 1/4-20, 0.375 |
| 12. | 712-04064 | Nut, Flange Lock, 1/4-20, Nylon |
| 13. | 747-05195 | Rod, Keeper |
| 14. | 738-04237A | Screw, Shoulder, #10-32, .50 |
| 15. | 683-04469B | Frame Assembly, Lower |
| 16. | 710-04484 | Screw, Self-tapping, 5/16-18, .750 |
| 17. | 710-3005 | Hex Screw, 3/8-16, 1.25, Gr5, Std |
| 18. | 712-04065 | Nut, Flange Lock, 3/8-16, Nylon |
| 19. | 738-04058 | Spacer, Shoulder, .38 X 1.0 X .70 |
| 20. | 747-04121A | Rod, Battery |
| 21. | 783-0349 | Tray, Battery |
| 22. | 783-06089 | Bracket, Frame, Seat |
| 23. | 725-04439 | Solenoid, 12V, 100 Amp, 4 term |
| 24. | 683-04219B | Bumper Assembly, Universal |
| 25. | 912-3000 | Nut, Hex Lock, 3/8-16, GrB |
| 26. | 731-05674 | Cap, Bumper |
| 27. | 738-0143 | Bolt, Shoulder, .496 x .336, 3/8-16 |
| 28. | 714-04061 | Pin, Quick Release, 1/2 Dia x .50 |
| 29. | 732-0814 | Spr, Extn, .56 Dia X 5.52 |
| — | 925-04093 | Harness Assembly, Main |

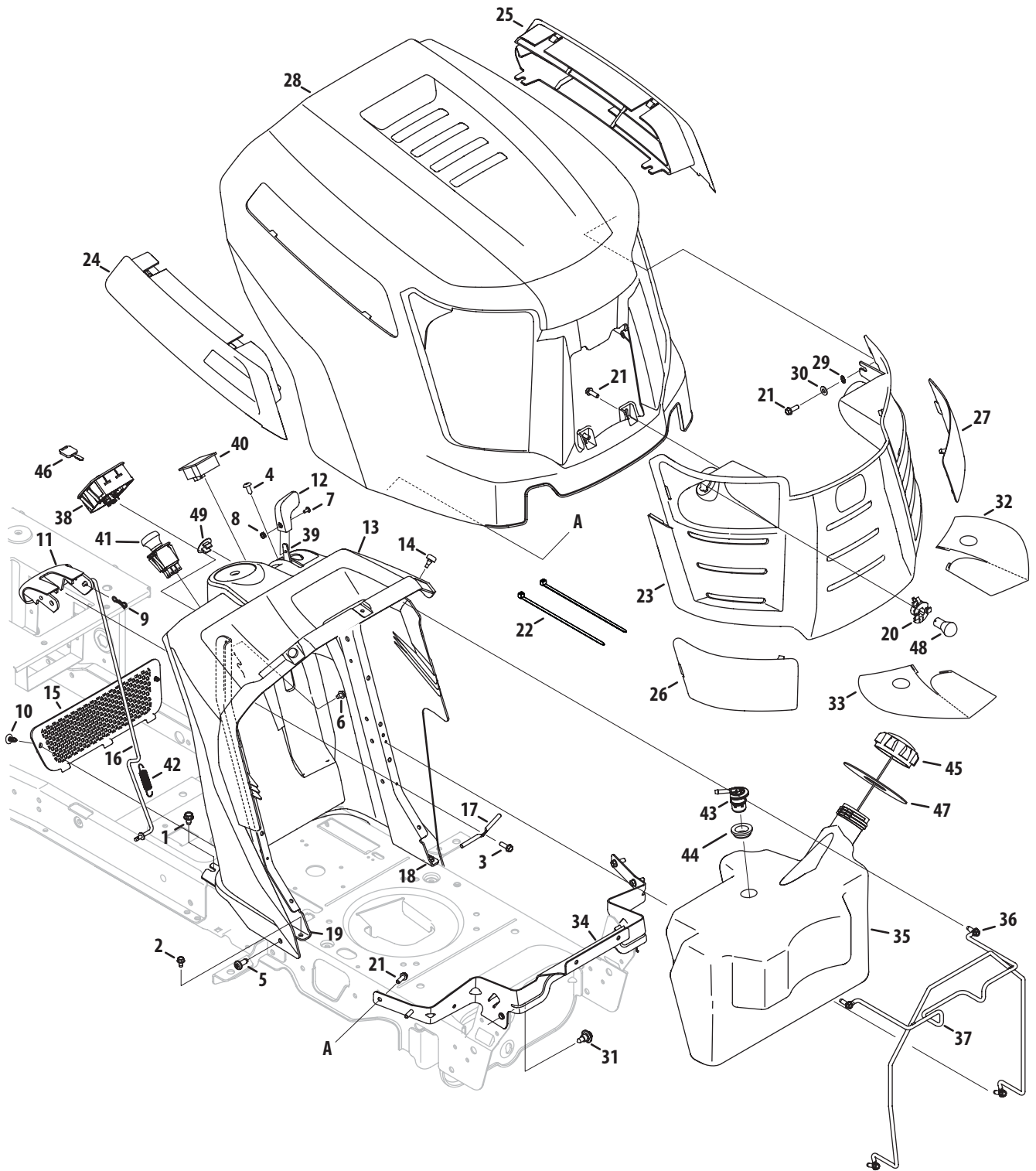
Seat, Fender and Lift



Seat, Fender and Lift

| Ref. | Part Number | Description | Ref. | Part Number | Description |
|------|-------------|---------------------------------------|------|-------------|---------------------------------------|
| 1. | 683-04301 | Shaft Ass'y, Lift, 54" | 23. | 938-0296 | Screw, Shoulder, .437 x .268, 5/16-18 |
| 2. | 712-04063 | Nut, Flange Lock, 5/16-18, Grf | 24. | 783-06049 | Bracket, Mounting, Seat |
| 3. | 712-04065 | Nut, Flange Lock, 3/8-16, Grf | 25. | 783-06088 | Bracket, Pivot, Seat |
| 4. | 914-0104 | Pin, Cotter, .072 Dia. x 1.13 | 26. | 783-06050 | Lever, Seat Adjustment |
| 5. | 714-04040 | Pin, Cotter, Bow-Tie 72 | 27. | 783-06448 | Clip, Retaining, Switch |
| 6. | 716-0106A | Ring, E Type, .625 Dia. Shaft | 28. | 710-1260A | Hex Screw, 5/16-18, .75, Gr5, Std |
| 7. | 720-04139A | Grip, Handle, Cub, .50 ID | 29. | 710-0599 | Screw, Self-tapping, 1/4-20, 0.500, |
| 8. | 732-0874 | Spring, Torsion | 30. | 710-0895 | Screw, HL, 1/4-15, 0.750, |
| 9. | 736-0105 | Washer, Spring, .401 x .870 x .063 | 31. | 731-06700 | Cover, Fender, RH |
| 10. | 738-0138A | Screw, Shoulder, .437 x .470, 5/16-18 | 32. | 731-06676 | Cover, Fender, LH |
| 11. | 938-0380 | Bolt, Shoulder, .50, 3/8-16 | 33. | 747-05039 | Pin, Door |
| 12. | 941-0225 | Bearing, Hex Flange | 34. | 736-3078 | Washer, Flat .344 x 1.00 x .063 |
| 13. | 746-0968 | Cable, Lift, 16.16 | 35. | 710-04482 | Hex Flange Screw, 3/8/16, .875, Gr5 |
| 14. | 747-04962A | Handle, Lift, | 36. | 783-06118 | Fender, Cub Hydro |
| 15. | 756-04331 | Pulley, Roller, Cable | 37. | 726-3046 | Clip, Ratchet, .250 Dia |
| 16. | 783-05546A | Link, Lift | 38. | 735-04137 | Pad, Foot, LH |
| 17. | 731-06584 | Door, Cover, Fender | 39. | 735-04139 | Pad, Foot, RH |
| 18. | 710-04484 | Screw, Self-tapping, 5/16-18, .750, | 40. | 757-04132 | Seat, High Back Cloth w/o Arm Rest |
| 19. | 712-3004A | Nut, Flange Lock, 5/16-18, Gr5, Sd Lk | 41. | 925-05013 | Switch, Seat |
| 20. | 732-04563 | Spring, Compr', .68 x 1.065 x .055 | 42. | 783-06181 | Bracket, Lift |
| 21. | 725-0157 | Cable, Tie, 3/16 x .05 x 7.4 | 43. | 757-04073 | Arm Rest Kit |
| 22. | 732-04849 | Spring, Compr, 1.50 x 3.90 x .200 | | | |

Fuel Tank, Hood and Dash

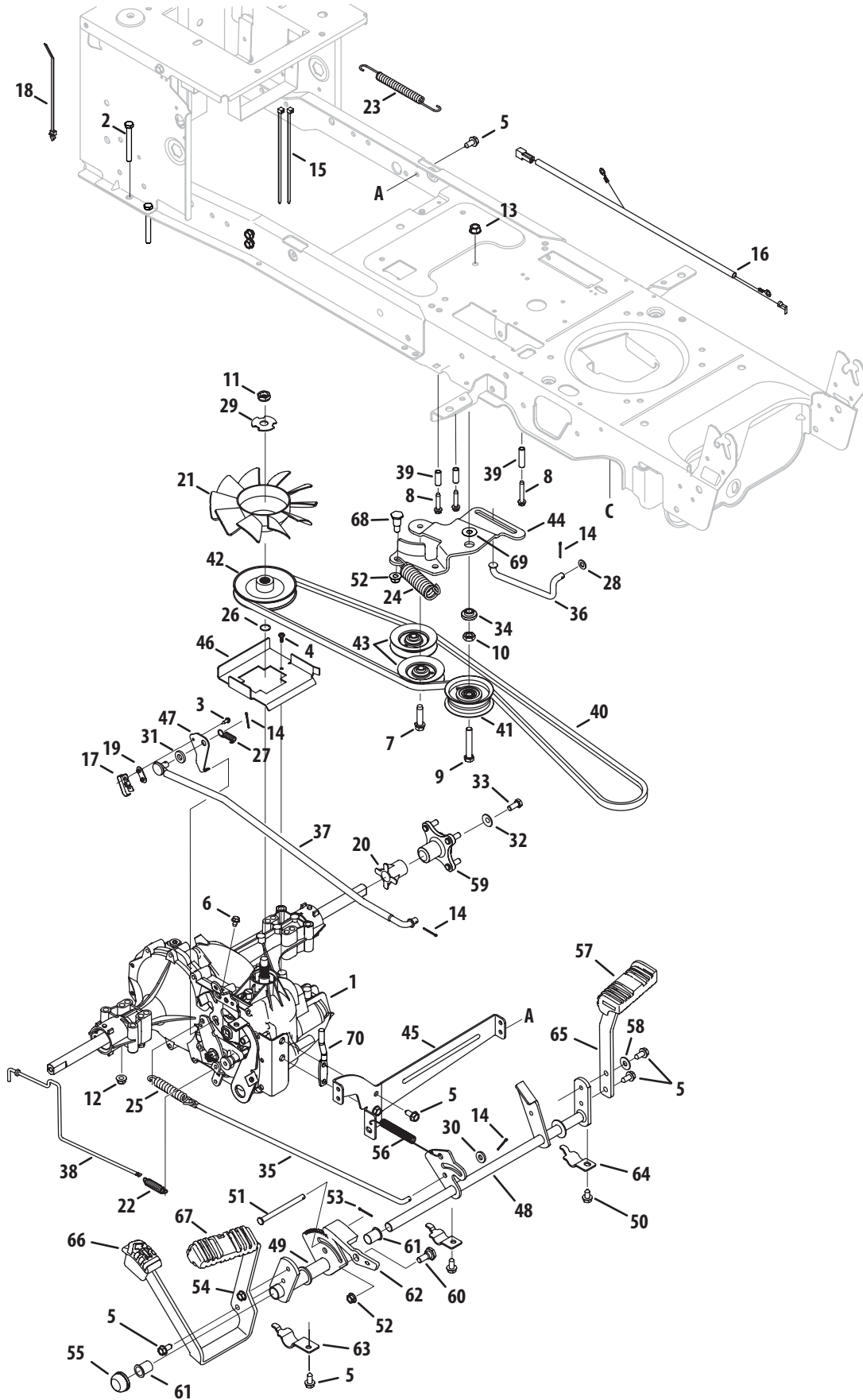


Fuel Tank, Hood and Dash

| Ref. | Part Number | Description | Ref. | Part Number | Description |
|------|-------------|--------------------------------------|------|-------------|------------------------------------|
| 1. | 710-04484 | Screw, Self-tapping, 5/16-18, .750 | 27. | 931-06559 | Lens, Hood, LH A-Style |
| 2. | 710-0599 | Screw, Self-tapping, 1/4-20, 0.500 | 28. | 931-06634 | Hood, A-Style |
| 3. | 710-0895 | Screw, HL, 1/4-15, 0.750 | 29. | 936-0222 | Washer, Lock, 1/4, External |
| 4. | 710-1017 | Screw, Ab, 1/4-14, 0.625, | 30. | 936-3020 | Washer, Flat, .271, .630, .065 |
| 5. | 710-1611B | Screw, Self-tapping, 5/16-18, 0.750, | 31. | 738-04091A | Screw, Shoulder, .43x.29, 5/16-18 |
| 6. | 710-1652 | Screw, Self-tapping, 1/4-20 x .625 | 32. | 777X44055 | Reflector, Cub A Style, LH |
| 7. | 710-3217 | Screw, Mach, #8-32, 0.375 | 33. | 777X44056 | Reflector, Cub A Style, RH |
| 8. | 712-0142 | Nut, Hex, #8-32 | 34. | 783-06114 | Bracket, Pivot, Hood A-Style |
| 9. | 714-04040 | Pin, Cotter, Bow-Tie 72 | 35. | 751-10879B | Tank, Fuel, 3.75 Gal. |
| 10. | 726-3046 | Clip, Ratchet, .250 Dia | | 751-10906A | Tank, Fuel, 3.30 Gal. * |
| 11. | 731-05447A | Lever, Dash, Cruise/Brake | 36. | 710-1652 | Screw, Self-tapping, 1/4-20, .625 |
| 12. | 731-06593 | Knob, Throttle | | 710-0642 | Screw, Self-tapping, 1/4-20, .75 * |
| 13. | 931-06666 | Dash Panel, A-Style, Man PTO | 37. | 747-05040A | Rod, Support, Fuel Tank |
| 14. | 735-0271A | Bumper, .62 Dia X .3 | 38. | 925-04227B | Module Switch, Ignition |
| 15. | 735-04076 | Net | 39. | 946-04556 | Cable, Throttle/Choke, 38" |
| 16. | 747-05009B | Rod, Control, Latch Cub | 40. | 925-04022B | Meter, Indicator |
| 17. | 747-1196 | Rod, Lever, Bent | 41. | 725-04258 | Switch, Electric PTO, Yellow |
| 18. | 783-06098 | Support, Dash, Plate LH | 42. | 732-04580 | Spring, .500 Dia. x 2.733 |
| 19. | 783-06099 | Support, Dash, Plate RH | 43. | 751-12118 | Valve, Rollover Grommet * |
| 20. | 925-1649 | Socket, Lamp | 44. | 735-04081 | Grommet, Rubber, 23.0 ID * |
| 21. | 710-05108 | Screw, 1/4 Dia, .750 | 45. | 751-0603A | Cap, Fuel |
| 22. | 926-0154 | Tie, Cable, Push Mount 7.5 Lg | | 951-12179 | Cap, Fuel * |
| 23. | 931-04322 | Grille Ass'y (Incl. 26, 27, 32 & 33) | 46. | 925-2054A | Key, Ignition |
| 24. | 931-06542A | Scoop, Hood, RH A-Style | 47. | 735-04170 | Gasket, Fuel Tank |
| 25. | 931-06543A | Scoop, Hood, LH A-Style | 48. | 925-0963 | Lamp, 12v |
| 26. | 931-06558 | Lens, Hood, RH A-Style | 49. | 731-1999 | Plug, Choke |

* Models built after Jan. 1, 2011.

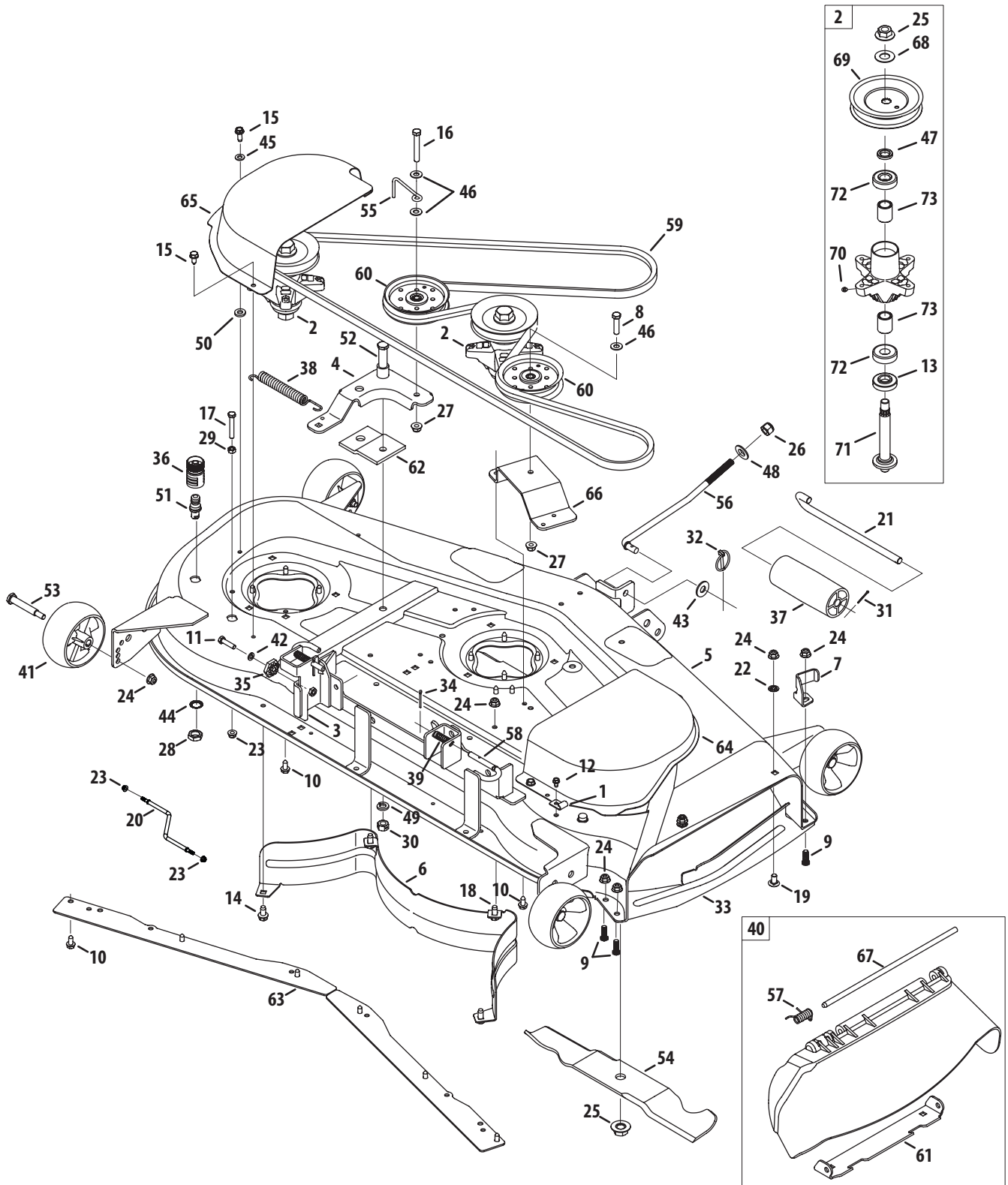
Drive System



| Ref. | Part Number | Description |
|------|-------------|---------------------------------------|
| 1. | 918-04270B | Transmission, Hydro-Gear 0610 |
| 2. | 710-0176 | Hex Screw, 5/16-18, 2.75, Gr5, Std |
| 3. | 710-0227 | Screw, #8-18, 0.500, |
| 4. | 710-0351 | Screw, #10-16, 0.500 |
| 5. | 710-04484 | Screw, Self-tapping, 5/16-18, .750 |
| 6. | 710-0653 | Screw, Self-tapping, 1/4-20, 0.375 |
| 7. | 710-1007 | Screw, Self-tapping, 3/8-16, 1.500 |
| 8. | 710-1325 | Screw, Self-tapping, 1/4-20, 1.625 |
| 9. | 710-3011 | Hex Screw, 3/8-16, 2.25, Gr5 |
| 10. | 912-0240 | Nut, Jam, 7/16-20, Gr2 |
| 11. | 912-0346 | Nut, Jam Lock, 1/2-20, Gr5, Nylon |
| 12. | 712-04063 | Nut, Flange Lock, 5/16-18, Nylon |
| 13. | 912-0431 | Nut, Flange Lock, 3/8-16 |
| 14. | 914-0111 | Pin, Cotter, 3/32, 1.0 |
| 15. | 725-0157 | Cable, Tie, 3/16 x .05 x 7.4 |
| 16. | 725-04791A | Jumper Harness, Ground & Reverse |
| 17. | 725-1644 | Switch, Spring, Short |
| 18. | 926-0154 | Tie, Cable, Push Mount 7.5 |
| 19. | 926-0320 | Plate, Insulator Nut |
| 20. | 731-05300A | Sleeve, .765 Id x 2.41 |
| 21. | 731-06098 | Fan, Hydro |
| 22. | 932-0209 | Spring, Extension, .48 Od x 2.03 |
| 23. | 732-04606 | Spring, Extension, .500 Dia x 12.6 |
| 24. | 732-04792 | Spring, Extension, 1.00 Dia x 4.75 |
| 25. | 732-0716D | Spring, Extension, .59 Od x 4.00 |
| 26. | 732-0729 | Ring, Wire |
| 27. | 732-3118 | Spring, Extension, .375 Od x 1.44 |
| 28. | 936-0264 | Washer, Flat, .330 x .630 x .0635 |
| 29. | 736-04263 | Washer, Lock, Transmission Hydro |
| 30. | 936-3008 | Washer, Flat, .344 x .750 x .120 |
| 31. | 736-3010 | Washer, Flat, .407x.812x.135, Ht |
| 32. | 736-0242 | Washer, Bell, .340 x .872 x .060 |
| 33. | 710-0627 | Hex Screw, 5/16-24, .750, Gr5, Lock |
| 34. | 738-04420 | Spacer, Shoulder, 1.375 x .380 x .183 |
| 35. | 747-04139 | Rod, Brake, LT Hydro |

| Ref. | Part Number | Description |
|------|-------------|--------------------------------------|
| 36. | 747-04957A | Rod, Transmission, Bypass |
| 37. | 747-04979 | Rod, Control, Hydro |
| 38. | 747-04991 | Rod, Hydro Bypass |
| 39. | 750-04456 | Spacer, .260 x .372 x 1.420 |
| 40. | 954-04207 | Belt, V-Type |
| 41. | 756-04224 | Pulley, Idler, Flat 2.75 OD |
| 42. | 756-04308 | Pulley, Input, 4.13 Dia |
| 43. | 756-04325 | Pulley, Idler, V-Type x 3.06 |
| 44. | 783-06027A | Bracket, Idler, Center Double |
| 45. | 783-06133 | Bracket, Mount, Hydro |
| 46. | 783-06260 | Bracket, Support, Belt Disengage |
| 47. | 783-1019B | Bracket, Actuator, Switch |
| 48. | 647-04152B | Control Assembly, Brake |
| 49. | 683-04537 | Bracket Assembly, Pedal, Hydro |
| 50. | 710-0604A | Screw, Self-tapping, 5/16-18, 0.625, |
| 51. | 711-05068 | Pin, Clevis, 5/16 x 3.985 |
| 52. | 712-04065 | Nut, Flange Lock, 3/8-16, Nylon |
| 53. | 714-04040 | Pin, Cotter, Bow-Tie 72 |
| 54. | 783-06059 | Bracket, Pedal, Hydro |
| 55. | 726-0214 | Cap, Push 5/8 |
| 56. | 732-04587 | Spring, Extension, .63 Dia x 4.95 |
| 57. | 735-04136 | Pad, Pedal, Brake |
| 58. | 736-0242 | Washer, Bell, .340 x .872 x .060 |
| 59. | 918-04228 | Hub Assembly, Wheel |
| 60. | 938-0380 | Bolt, Shoulder, .500 x .270, 3/8-16 |
| 61. | 741-0495 | Bearing, Flange, .630 x .695 x .60 |
| 62. | 748-04203 | Latch, Cruise |
| 63. | 783-05914 | Bracket, Support, Pedal Strap |
| 64. | 783-05940 | Bracket, Support, Pedal Strap 5/8 |
| 65. | 783-06103A | Bracket, Pedal, Brake |
| 66. | 735-04135 | Pad, Pedal, Reverse |
| 67. | 735-04118A | Pad, Pedal, Forward |
| 68. | 738-0430 | Scr, Shldr, .50 x .685 3/8-16 |
| 69. | 936-0344 | Washer, Flat, .385 x 1.0 x .030 |
| 70. | 747-05444 | Belt Keeper Rod |

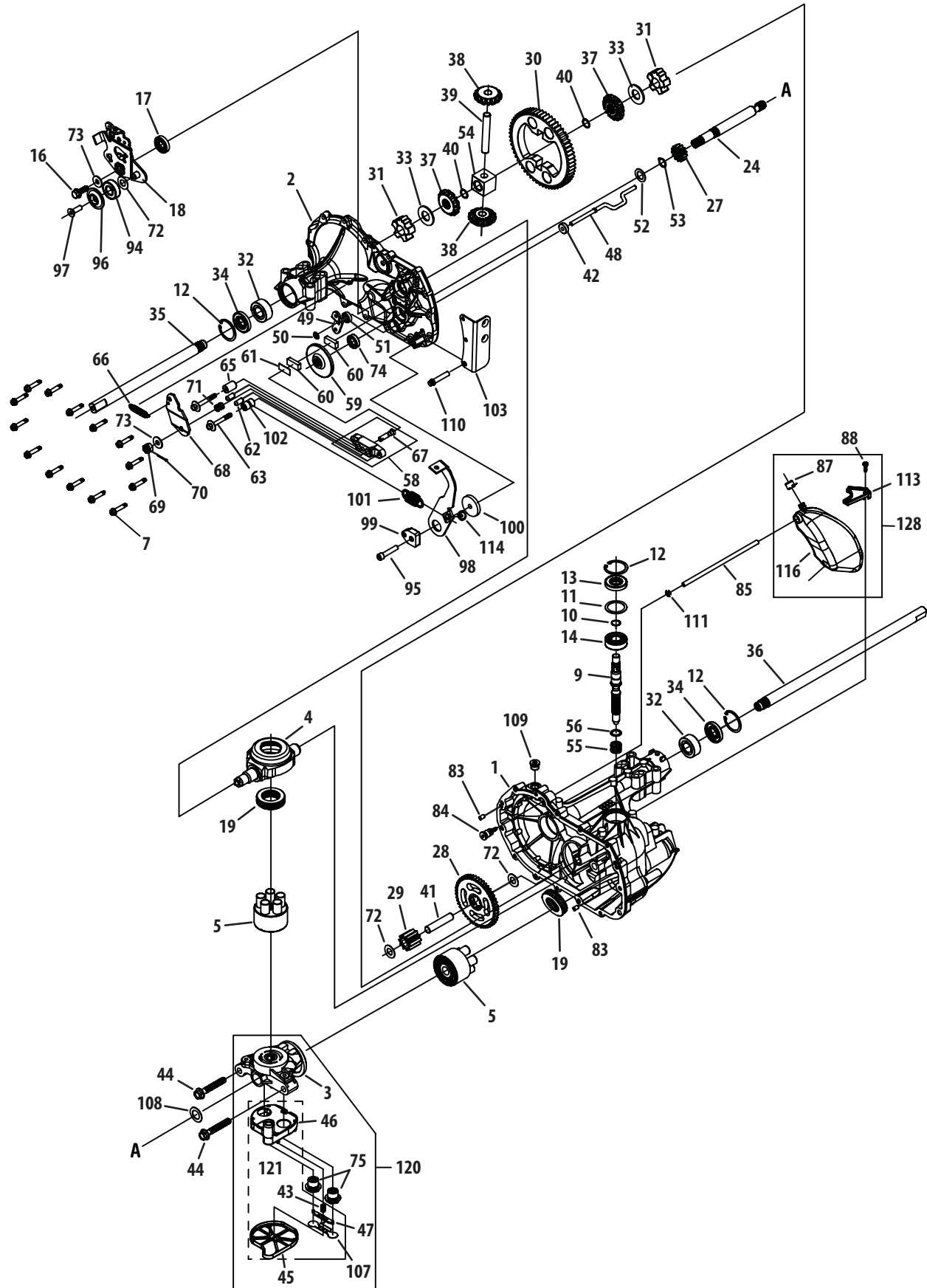
54-inch Deck



| Ref. | Part Number | Description |
|------|-------------|-------------------------------------|
| 1. | 96606 | Bracket, Hook, Retainer |
| 2. | 918-04125B | Spindle Assembly, Pulley, 5.39 Dia. |
| 3. | 683-0254B | Bracket Assembly, Deck, Hanger LH |
| 4. | 683-04182 | Idler Assembly, Arm, 54" |
| 5. | 983-04651 | Deck Assembly, 54" |
| 6. | 703-2093 | Baffle, Rear |
| 7. | 703-3279 | Stop, Chute, Deflector |
| 8. | 710-0347 | Hex Screw, 3/8-16, 1.75, Gr5 |
| 9. | 710-04095 | Hex Screw, 3/8-16, 1.00, Gr5, Spec |
| 10. | 710-04484 | Screw, Self-tapping, 5/16-18, .750, |
| 11. | 710-0528 | Hex Screw, 5/16-18, 1.25, Gr5, Std |
| 12. | 710-0599 | Screw, Self-tapping, 1/4-20, 0.500 |
| 13. | 750-1349A | Spacer, .79 x 1.82 x .55lg. |
| 14. | 710-0623 | Screw, Self-tapping, 3/8-16, 0.750 |
| 15. | 710-0650 | Screw, Self-tapping, 5/16-18, 0.875 |
| 16. | 710-0859 | Hex Screw, 3/8-16, 2.50, Gr5, Std |
| 17. | 710-3103 | Hex Screw, 5/16-18, 2.00, Gr5, Std |
| 18. | 710-3168 | Bolt, Carriage, 3/8-16, 1.00, Gr5 |
| 19. | 710-3178 | Bolt, Carriage, 3/8-16, 0.75, Gr1 |
| 20. | 747-05462 | Rod, Support, Deck |
| 21. | 911-3314 | Roller Pin-1/2 Dia. x 7.31 |
| 22. | 712-0229 | Nut, Push, 3/8 |
| 23. | 712-04063 | Nut, Flange Lock, 5/16-18, Nylon |
| 24. | 712-04065 | Nut, Flange Lock, 3/8-16, Nylon |
| 25. | 712-0417A | Nut, Flange, 5/8-18 |
| 26. | 712-04243 | Nut, 1/2-13 |
| 27. | 912-0431 | Nut, Flange Lock, 3/8-16, GrF |
| 28. | 912-0641 | Nut, Hex, M16-1.5 |
| 29. | 912-3010 | Nut, Hex, 5/16-18, Gr5 |
| 30. | 712-3022 | Nut, Hex Lock, 1/2-13, GrB |
| 31. | 914-0111 | Pin, Cotter, 3/32, 1.0 |
| 32. | 753-04070 | Pin, Lynch, .1875 |
| 33. | 703-3511 | Finger Guard |
| 34. | 914-0470 | Pin, Cotter, 1/8 x 1.25 |
| 35. | 917-04074 | Gear, Deck, Adjustment |
| 36. | 921-04041 | Coupler, Water |
| 37. | 731-05679 | Roller, Front |

| Ref. | Part Number | Description |
|------|-------------|--|
| 38. | 732-04247 | Spring, Extension, .85 OD x 6.415 |
| 39. | 732-04652 | Spring, Compr', .53 OD x 1.75 |
| 40. | 631-04070A | Chute Assembly |
| 41. | 734-04155 | Wheel, Deck, 5.0 Dia. Ball |
| 42. | 936-0119 | Washer, Lock, 5/16, Regular Duty |
| 43. | 936-0179 | Washer, Flat, .531 x 1.25 x .100 |
| 44. | 736-0225 | Washer, Lock, 5/8, Int Tooth |
| 45. | 936-0275 | Washer, Flat, .344 X .688 X .065 |
| 46. | 936-0300 | Washer, Flat, .406 x .875 x .059 |
| 47. | 748-0160A | Spacer, .790 x 1.25 x .175 |
| 48. | 736-0317 | Washer, Bell, .63 x 1.25 x .18 |
| 49. | 936-0921 | Washer, Lock, 1/2, Regular Duty |
| 50. | 736-3010 | Washer, Flat, .407x.812x.135 |
| 51. | 737-04003D | Port, Water |
| 52. | 738-1229A | Bolt, Shoulder, .625 x 2.50, 1/2-13 |
| 53. | 938-3056 | Bolt, Shoulder, .496 x 2.50, 3/8-16 |
| 54. | 942-0677B | Blade, 18.50 Star 2 In 1 |
| 55. | 747-04530 | Rod, Keeper |
| 56. | 747-05067A | Deck Lift Rod, Front, 11.7 |
| 57. | 732-04372 | Spring, Torsion, .44 I.D. x 2.0, |
| 58. | 747-1116 | Rod, Deck Release |
| 59. | 954-0642 | Belt, V-Type |
| 60. | 756-04129B | Pulley, Idler, 4.25"Dia. |
| 61. | 783-05030 | Bracket, Chute 50/54" |
| 62. | 783-04013A | Bracket, Stabilizer, Pulley |
| 63. | 783-04690B | Skirt, Deck, 54" |
| 64. | 783-04691 | Cover, Belt, RH 54" |
| 65. | 783-04692 | Cover, Belt, LH 54" |
| 66. | 783-04726 | Bracket, Idler, Stationary |
| 67. | 711-04565 | Pin, Hinge, .3175 Dia. x 14.06 ,1 |
| 68. | 736-0315 | Washer, Flat, .760 X 1.50 X .120 |
| 69. | 756-04216 | Pulley, Deck, 5.39 Dia. |
| 70. | 937-3000 | Lube Fitting, 3/16 |
| 71. | 738-1010A | Shaft, Spindle, 5.75 Lg. |
| 72. | 941-0919 | Bearing, Ball, .787id x 1.85 Od x .551 |
| 73. | 750-1000 | Spacer, .80 x 1.10 x 1.322 |

Hydrostatic Transmission (Hydro-Gear 320-0610)

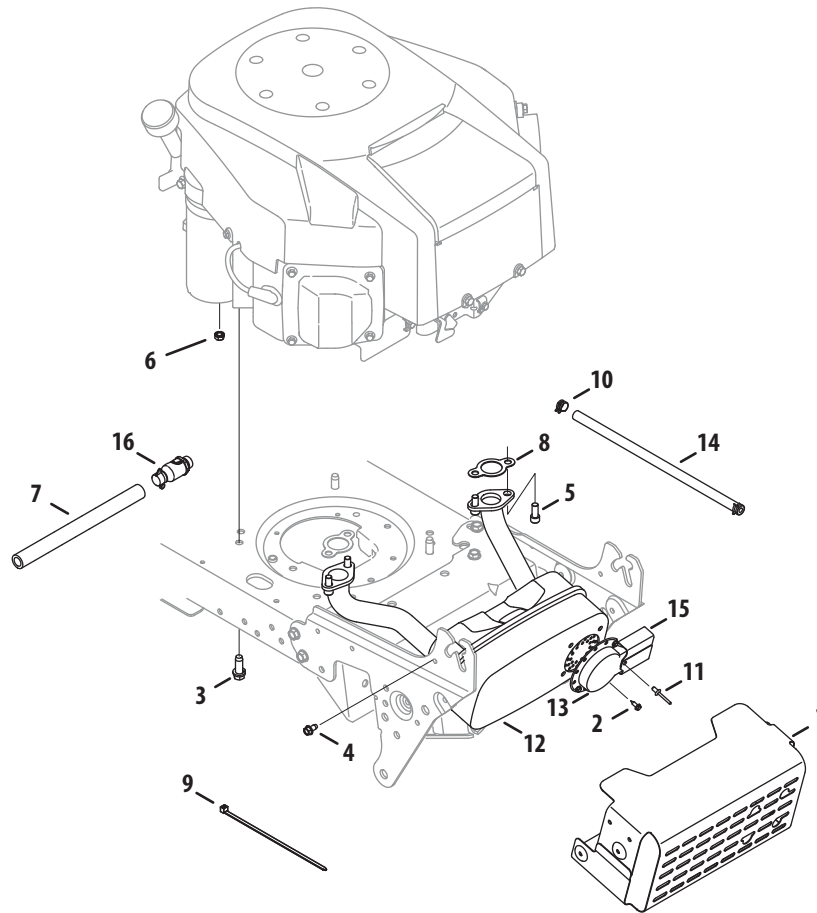


Hydrostatic Transmission (Hydro-Gear 320-0610)

| Ref. | Part Number | Description | Ref. | Part Number | Description |
|------|-------------|--------------------------------------|------|-----------------|------------------------------------|
| 1 | HG-70467 | Main Housing Assembly | 40 | HG-44871 | Ring, Spiral Retaining |
| | | Main Housing, Machined | 41 | HG-51083 | Pin, Jackshaft |
| | | Bushing ,865 x 985 x .790 | 42 | HG-51100 | Magnet, Ring |
| 2 | HG-70483 | Main Housing Assembly | 43 | HG-51136 | Spring, Bypass |
| | | Main Housing, Machined | 44 | HG-50016 | Hydro Mtg Screw 3/8-24 x 2.5 |
| | | Bushing ,865 x 985 x .790 | 45 | HG-51581 | Bottom, Filter |
| | | Bushing 624 x 719 x .562 | 46 | HG-51580 | Base Filter W/ Poppet |
| 3 | HG-70477 | Center Section Assembly | 47 | HG-51091 | Actuator Bypass |
| | | Center Section Machined | 48 | HG-51098 | Rod Bypass Actuator |
| | | Bushing. 707 x .788 x .591 | 49 | HG-51135 | Arm, Bypass |
| 4 | HG-51048 | Swashplate, Trunnion Machined | 50 | HG-51116 | Retaining Ring 0.250 External |
| 5 | HG-70331 | Block - Assembly | 51 | HG-51081 | Seal, Lip .741 x .250 x .250 Tc |
| | | Block - Cylinder | 52 | HG-44371 | Flat Washer 5/8 Id x 1.0 Od x .05 |
| | | Piston | 53 | HG-44145 | Retaining Ring |
| | | Spring, Compression | 54 | HG-51071 | Bearing, Center Block |
| | | Washer - Thrust | 55 | HG-2003014 | Spring - Helical Compression |
| 7 | HG-51190 | Hex Flange Screw 1/4-20 x-1,25 | 56 | HG-2003017 | Washer |
| 9 | HG-51062 | Shaft, Input | 58 | HG-62589 | Kit, Brake Yoke |
| 10 | HG-2000022 | Ring - Retaining | | | Brake Yoke |
| 11 | HG-50951 | Spacer | | | Sq. Hd, Bolt 5/16-24 Ribbed |
| 12 | HG-50329 | Ring - Retaining | 59 | HG-51072 | Rotor, Brake |
| 13 | HG-51161 | Seal Lip .67 x 1.58 x .276 | 60 | 917-0678 | Brake Puck |
| 14 | HG-50315 | Ball Bearing 17mm Id x 40mm Od | 61 | 917-0682 | Puck Plate |
| 16 | HG-51064 | Bolt. Flange 5/16-24 x .94 (Patch) | 62 | 941-0343 | Brake Actuating Pin |
| 17 | HG-51140 | Lip Seal 18 x 32 x 7 | 63 | HG-51146 | Hex Screw 1/4-20 x 2 w/ Patch |
| 18 | HG-51119 | Arm Control | 65 | HG-23711 | Spacer |
| 19 | HG-50551P | Bearing 30x52 x 13 Thrust | 66 | HG-51607 | Kit, Spring |
| 24 | HG-50966 | Shaft Motor | 67 | HG-44138 | So. Hd, Bolt 5/16-24- Ribbed |
| 27 | HG-51767 | Gear - Pinnion 12t | 68 | HG-44094 | Arm, Brake |
| 28 | HG-51766 | 10t/49t Gear | 69 | 912-0273 | Slotted Hex Nut 5/16-24 |
| 29 | HG-51043 | Gear Jot Jackshaft | 70 | 914-0507 | Cotter Pin 3/32 x 3/4 |
| 30 | HG-51044 | 60t Bull Gear | 71 | HG-50919 | Comp. Spring Brake Anti-Drag |
| 31 | HG-51088 | Sleeve Bearing .75 x 1.750 x .625 | 72 | HG-50132 | Washer, Ht .5 I. D. x 1 OD, x .032 |
| 32 | HG-51089 | Sleeve Bearing .75 x 1.575 x .625 | 73 | 736-0371 | Flat Washer, 11/32 ID x 7/8 OD |
| 33 | HG-44875 | Washer 3/4 Id x 1-1/2 Od x .13 Thk | 74 | HG-70719 | Kit, Seal |
| 34 | HG-51066 | Lip Seal Axle Seal | | | Oil, Seal 625 x Lo x .25 |
| 35 | HG-51079 | Shaft Axle .75 x 11.39 (Dd R. H.) | | | Ring, Ret-Star Washer |
| 36 | HG-51078 | Shaft Axle .75 x 17.99 (Dd, L, H.) | | | Bulletin, Shaft Seal |
| 37 | HG-51769 | Miter Gear (Splined) | 75 | HG-51084 | Check Plug Assem, .027 Washer |
| 38 | HG-51768 | Miter Gear 15t (0.5 Id) | 83 | HG-9004800-2506 | Pin, Standard Headless |
| 39 | HG-50146 | Shaft | 84 | HG-51143 | Fitting, 5/16 Sae 5/32 Tube |

Hydrostatic Transmission (Hydro-Gear 320-0610)

| Ref. | Part Number | Description | Ref. | Part Number | Description |
|------|-----------------|------------------------------------|------|-------------|---------------------------------|
| 85 | HG-51147 | Hose, Expansion Tank | 121 | HG-70756 | Filter Assembly |
| 87 | HG-51251 | Cap., Vent | | | Bottom Filter |
| 88 | HG-50653 | Bolt, Self Tapping 10-32 x 112 | | | Base Filter w/ Poppet |
| 94 | HG-44147 | Ball Bearing .62 Id x 1,38 x 44 | | | Spring Bypass |
| 95 | HG-50837 | Cap Screw, 5/16-24 x 1-112 | | | Actuator Bypass |
| 96 | HG-51200 | Spacer, Locating | | | Deflector |
| 97 | HG-50870 | Screw, Sfhcs | 128 | HG-70503 | Kit, Expansion Tank |
| 98 | HG-51120 | Arm, Return | | | Tank, Expansion |
| 99 | HG-51097 | Puck, Adjusting | | | Cap, Vent |
| 100 | HG-52493 | Washer, .32 OD x 1.6 ID x .24 | | | Bolt, Self Tapping 10-32 x 1/2 |
| 101 | HG-51131 | Spring, Extension | | | Bracket, Support Expansion Tank |
| 102 | HG-51123 | Spacer, .56 x .26 x .87 | | | Silicon-Sponge 112 x 1/2 x 3/16 |
| 103 | HG-51223 | Bracket, Torque | — | HG-50928 | Sealant |
| 107 | HG-51134 | Deflector | — | HG-70463 | Seal, O-Ring Kit |
| 108 | HG-51069 | Washer, Motor Shaft .71 Id 1.15 Od | — | — | 20w-50 Oil (78.8 oz) |
| 109 | HG-9005110-5600 | Plug, SAE #6 | | | |
| 110 | HG-50868 | Torx Head Screw, 5/16-18 | | | |
| 111 | HG-51144 | O-Ring, .07 x .301 ID | | | |
| 113 | HG-51179 | Bracket, Support Expansion Tank | | | |
| 114 | HG-51184 | Spring Guide | | | |
| 116 | HG-51196 | Silicon Sponge | | | |
| 120 | HG-71315 | Center Section - Bypass Assm | | | |
| | | Center Section Machined | | | |
| | | Base Filter w/ Poppet | | | |
| | | Check Plug Assembly | | | |
| | | Spring Bypass | | | |
| | | Actuator Bypass | | | |
| | | Deflector | | | |
| | | Bottom, Filter | | | |
| | | Bushing, .707 x .788 x .591 | | | |



| Ref. | Part Number | Description |
|------|----------------|-------------------------------------|
| 1. | 683-04549 | Shield Ass'y, Muffler |
| 2. | 710-0227 | Screw, Ab, #8-18, 0.500, |
| 3. | 710-04683 | Screw, Self-tapping, 3/8-16, 1.000, |
| 4. | 710-0599 | Screw, Self-tapping, 1/4-20, 0.500, |
| 5. | 710-1314A | Screw, Socket Head, 5/16-18, .750 |
| 6. | 712-0271 | Nut, Sems, 1/4-20 |
| 7. | 751-3141-14 | Hose, Extension, Oil Drain |
| 8. | KH-24-041-49-S | Gasket, Exhaust |
| 9. | 725-0157 | Cable, Tie, 3/16 x .05 x 7.4 |
| 10. | 726-0205 | Clamp, Hose, .490 Dia. |
| 11. | 728-04000 | Rivet, Pop, .188 Dia x .300 |
| 12. | 751-10528A | Muffler, Kohler Twin |
| 13. | 751-0564B | Deflector, Muffler |
| 14. | 751-10349 | Hose, Fuel, Low Permeation, 1/4 |
| 15. | 751-10353 | Deflector, Muffler, Long |
| | 751-11053 | Deflector, Muffler, Long * |
| 16. | 951-10517A | Drain, Oil |
| 17. | 751-12089-28 | Hose, Vent * |

* Models built after Jan. 1, 2011.

SLTX 1054VT Labels

777D15460

PROFESSIONAL GRADE

CAST IRON CYLINDER LINER
FULL-PRESSURE LUBRICATION
EXTENDED FILTRATION PACKAGE

Cub Cadet

777I22679



777D12864



777D15459

PROFESSIONAL GRADE

CAST IRON CYLINDER LINER
FULL-PRESSURE LUBRICATION
EXTENDED FILTRATION PACKAGE

Cub Cadet

777I23293



777D15269



777S33233

⚠ DANGER

ROTATING BLADES CAUSE SERIOUS INJURY OR DEATH

- DO NOT MOW WHEN CHILDREN OR OTHERS ARE AROUND
- NEVER CARRY CHILDREN EVEN WITH BLADE(S) OFF.
- LOOK DOWN AND BEHIND BEFORE AND WHILE BACKING.
- MOWING IN REVERSE IS NOT RECOMMENDED.

⚠ WARNING

TO AVOID SERIOUS INJURY OR DEATH

- GO UP AND DOWN SLOPES, NOT ACROSS.
- AVOID SUDDEN TURNS.
- DO NOT OPERATE THE UNIT WHERE IT COULD SLIP OR TIP.
- IF MACHINE STOPS GOING UPHILL, STOP BLADE(S) AND BACK DOWNHILL SLOWLY.
- KEEP SAFETY DEVICES (GUARDS, SHIELDS, AND SWITCHES, ETC.) IN PLACE AND WORKING.
- REMOVE OBJECTS THAT COULD BE THROWN BY THE BLADE(S).
- KNOW LOCATION AND FUNCTION OF ALL CONTROLS.
- BE SURE BLADE(S) AND ENGINE ARE STOPPED BEFORE PLACING HANDS OR FEET NEAR BLADE(S).
- BEFORE LEAVING OPERATOR'S POSITION, DISENGAGE BLADE(S), ENGAGE PARKING BRAKE, SHUT OFF AND REMOVE KEY.

READ OPERATOR'S MANUAL

⚠ WARNING

Operation Of This Equipment May Create Sparks That Can Start Fires Around Dry Vegetation. A Spark Arrestor May Be Required. The Operator Should Contact Local Fire Agencies For Laws Or Regulations To Fire Prevention Requirements.

TO START

- DISENGAGE BLADES(PTO, (POWER TAKE OFF))
- ENGAGE THE TRACTOR'S PARKING BRAKE.
- ACTIVATE THE CHOKE CONTROL.
- TURN KEY TO START ENGINE. AFTER START RELEASE KEY & DEACTIVATE CHOKE BY PLACING THROTTLE TO FAST "RABBIT" POSITION.

OPERATING MODES

NORMAL MOWING
YOU MUST DISENGAGE BLADES(PTO, (POWER TAKE OFF)) BEFORE TRAVELING IN REVERSE.

REVERSE CAUTION MODE

- TURN KEY TO REVERSE CAUTION MODE POSITION.
- DEPRESS REVERSE PUSH BUTTON, (RED INDICATOR LIGHT "ON")

WHEN RED LIGHT IS "ON" MACHINE CAN BE OPERATED IN REVERSE WITH MOWER BLADES ENGAGED.
IMPORTANT: MOWING IN REVERSE IS NOT RECOMMENDED.

3. AFTER RESUMING FORWARD OPERATION, RETURN KEY TO "NORMAL MOWING" POSITION.

NOTE: IN BOTH MODES, WHEN OPERATOR LEAVES SEAT, ENGINE WILL STOP UNLESS PARKING BRAKE IS SET AND BLADES ARE DISENGAGED.

LOWER DASH

PARKING BRAKE
DEPRESS BRAKE PEDAL. PUSH PARKING BRAKE LEVER DOWN AND RELEASE PEDAL TO LOCK

CRUISE CONTROL
DEPRESS SPEED CONTROL PEDAL TO DESIRED SPEED. PUSH CRUISE CONTROL LEVER DOWN AND RELEASE PEDAL. PRESS BRAKE OR SPEED CONTROL TO RELEASE

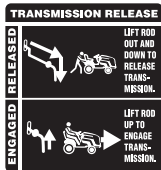
(LOCATED ON DRIVERS RIGHT) DIRECTION/SPEED CONTROL PEDAL

For A List Of Optional Attachments, Please Refer To Your Operators Manual.

777D15268



777I23132



777D15402



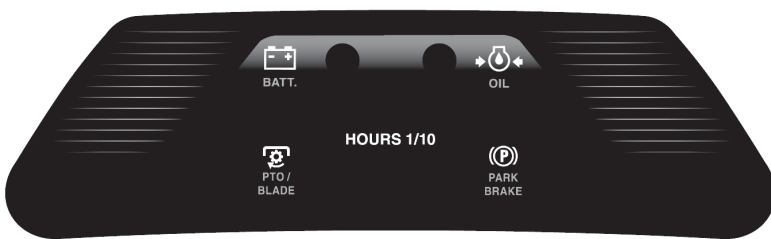
777D15409



777D15468



777I23490



777I23294



777D15450



777D15451



777S33183

⚠ DANGER

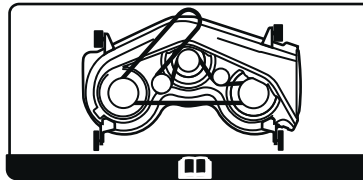
AVOID SERIOUS INJURY OR DEATH

- KEEP HANDS AND FEET AWAY FROM ROTATING PARTS.
- REMOVE OBJECTS THAT CAN BE THROWN BY THE BLADE IN ANY DIRECTION. WEAR SAFETY GLASSES.
- DO NOT MOW WHEN CHILDREN OR OTHERS ARE AROUND. NEVER CARRY CHILDREN EVEN WITH BLADES OFF.
- USE EXTRA CAUTION ON SLOPES. DO NOT MOW SLOPES GREATER THAN 15°. MOW ACROSS NOT UP AND DOWN. AVOID SUDDEN TURNS. USE LOW SPEED.

READ OPERATOR'S MANUAL. KEEP SAFETY DEVICES IN PLACE AND WORKING.

S33183 AC
MAX 15°

777I22265



777X44921

MODEL SLT 1054 REPLACEMENT PARTS

Use only Cub Cadet genuine factory parts

| | | | |
|---------------------|----------------|--------------------------|-----------------|
| Blades | 842-0677/B (3) | Oil Filter | KH-12-050-01-S |
| Lower Drive Belt | 954-04207 | Air Filter w/Pre-Cleaner | KH-32-883-03-S1 |
| Engine To Deck Belt | 954-0642 | Spark Plug | 759-3336 |
| Deck Spindles | 818-041258 | Fuel Filter | KH-25-050-22-S1 |
| Ignition Key | 725-2054A | Oil Capacity | 57.6 oz |
| Solenoid | 725-04439 | | |

www.cubcadet.com

777S30503

⚠ DANGER

KEEP HANDS AND FEET AWAY. DO NOT OPERATE MOWER UNLESS CHUTE DEFLECTOR OR ENTIRE GRASS CATCHER IS IN ITS PROPER PLACE.

S30503

ASSEMBLE CHUTE DEFLECTOR TO THIS UNIT BEFORE OPERATING.

777D15419

Cub Cadet

ADVANTAGES:

SERIES 1000 LTX

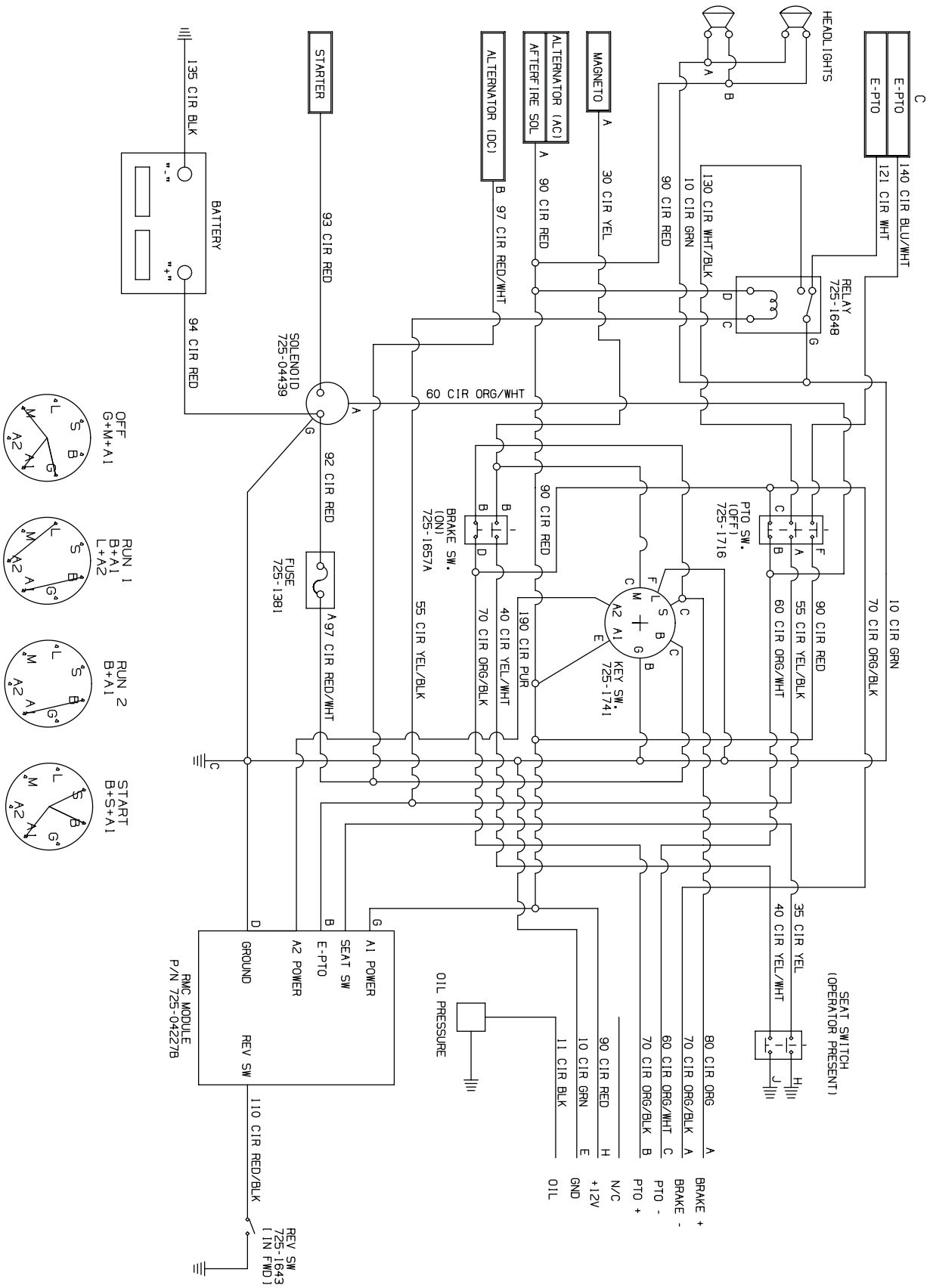
- ✓ Industry Leading 12" Turning Radius
- ✓ Cub Comfort™ Seat Breathable And Adjustable
- ✓ Extra Durable Fully Welded Steel Frame
- ✓ Advanced Cutting System For Unsurpassed Results
- ✓ 3-and 5-Year Limited Warranty

CAN BE REMOVED AFTER PURCHASE

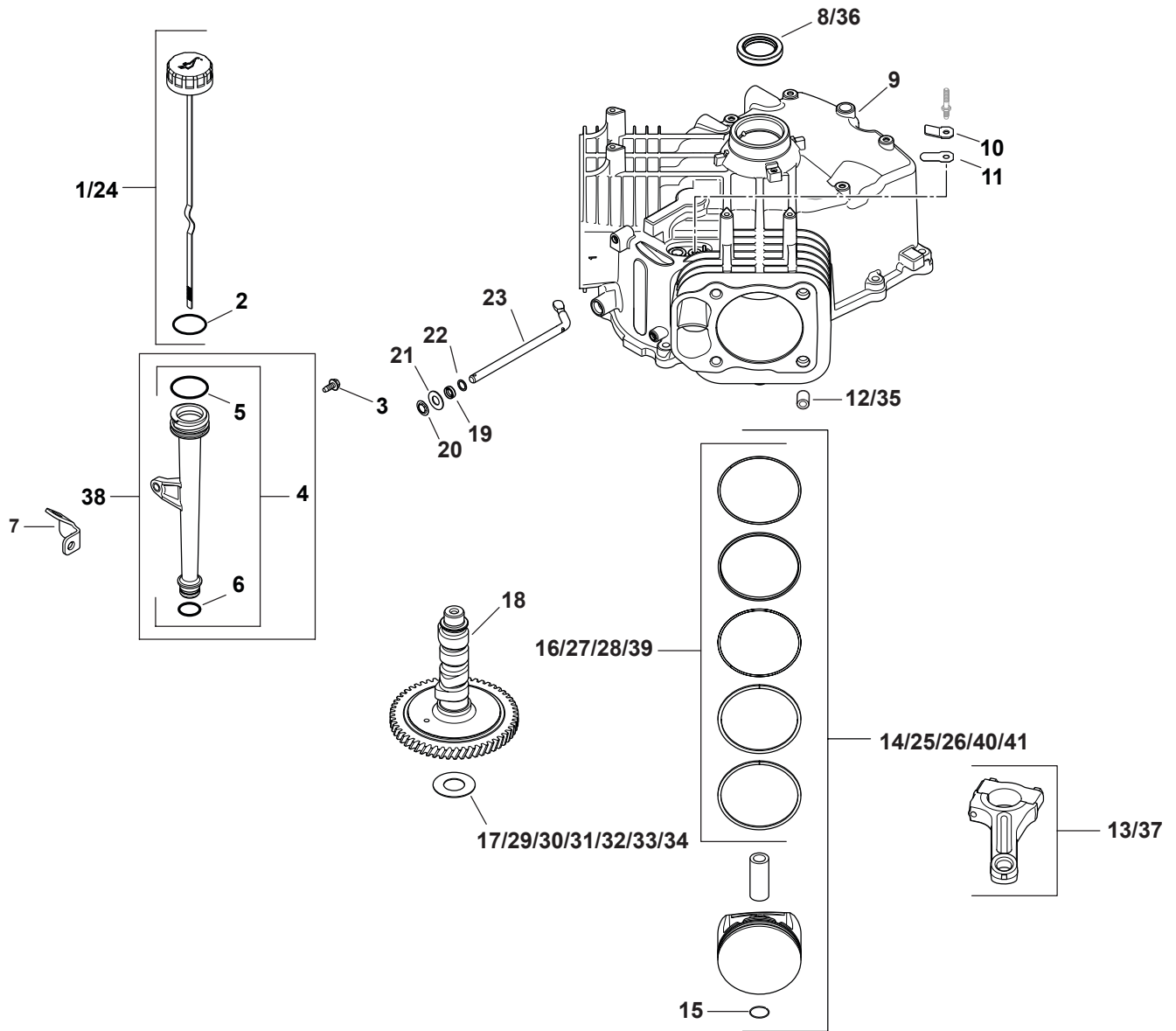
777I23133



Electrical Schematic

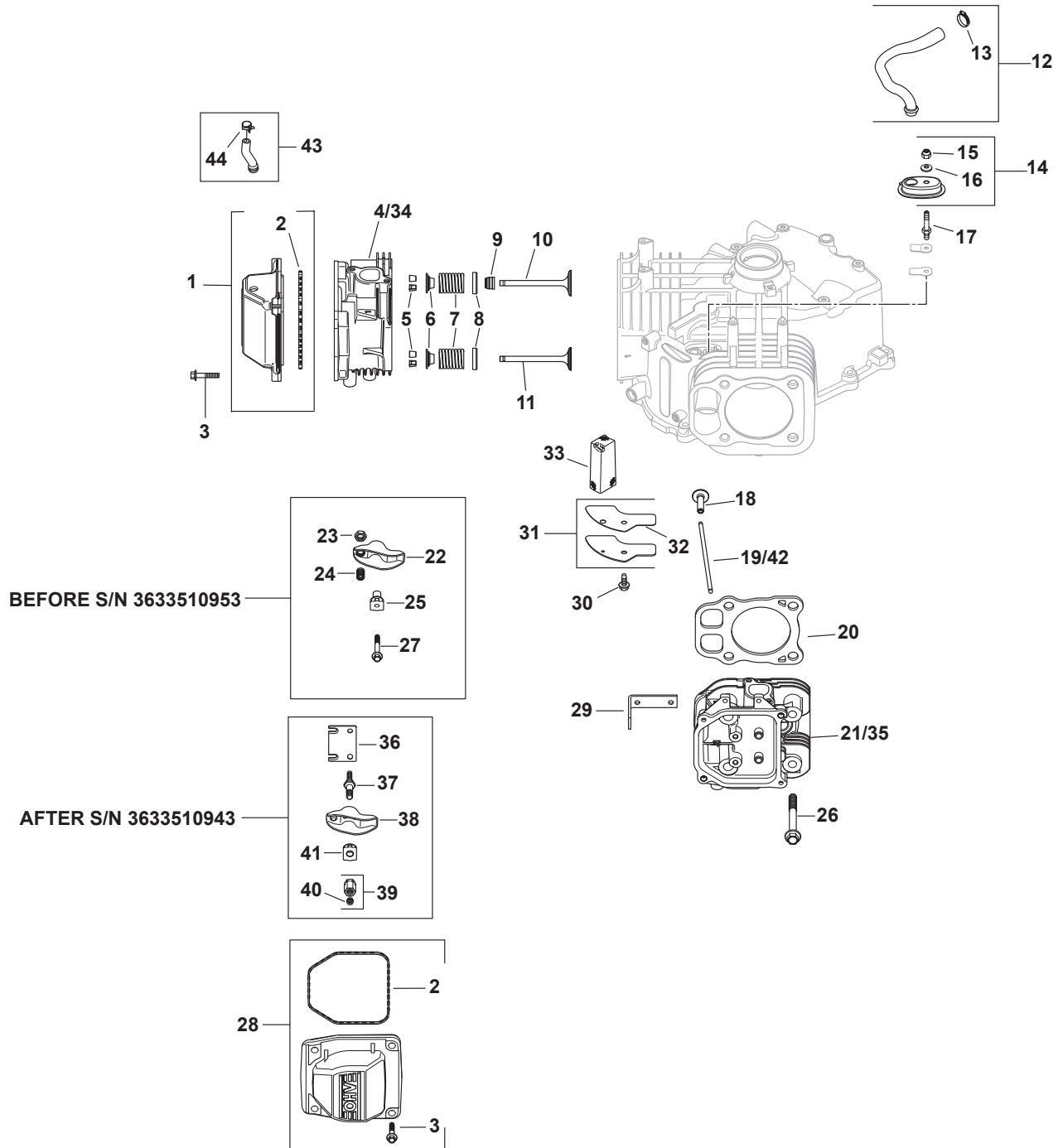


Kohler SV735 Crankcase



| Ref. | Part Number | Description |
|------|----------------|---|
| 2 | KH-25-153-02-S | Dipstick Assembly (Cub Yellow) (Inc. 2) |
| 3 | KH-M-545013-S | Flg. Thd. Frm. Screw, M5 x 0.8 x 13 |
| 7 | KH-24-126-19 | Oil Fill Tube Bracket |
| 10 | KH-24-018-04-S | Breather Reed Retainer |
| 11 | KH-12-402-02 | Breather Reed |
| 12 | KH-24-380-16-S | Locating Pin |
| 14 | KH-25-874-01-S | Piston Kit w/ Ring Set (Inc. 15 & 16) |
| 15 | KH-24-018-01-S | Piston Pin Retainer |
| 17 | KH-12-422-07-S | Camshaft Shim (White .028") |
| 18 | KH-32-012-01-S | Camshaft Kit (Inc.KH-25-357-14-S) |
| 19 | KH-28-032-09-S | Governor Cross Shaft Seal |
| 20 | KH-24-018-09-S | Ring Retainer |
| 21 | KH-M-931010-S | Flat Washer, 9mm |
| 22 | KH-24-468-15-S | Flat Washer, 1 ¹ / ₃₂ |
| 23 | KH-24-144-38-S | Governor Cross Shaft |
| 24 | KH-24-038-04-S | Dipstick Assembly (Inc. 2) |
| 25 | KH-25-874-03-S | Piston Kit w/ Ring Set (0.25) 83mm |
| 28 | KH-24-108-16-S | Ring Set (.25) |
| 29 | KH-12-422-08-S | Camshaft Shim (Blue .03") |
| 30 | KH-12-422-09-S | Camshaft Shim (Red .032") |
| 31 | KH-12-422-10-S | Camshaft Shim (Yellow .034") |
| 32 | KH-12-422-11-S | Camshaft Shim (Green .036") |
| 33 | KH-12-422-12-S | Camshaft Shim (Gray .038") |
| 34 | KH-12-422-13-S | Camshaft Shim (Black .04") |
| 36 | KH-24-032-19-S | Oil Seal (Helix Lip) |
| 37 | KH-24-067-28-S | Connecting Rod |
| 38 | KH-32-755-04-S | Tube Assembly (Inc. 4-6) |
| 39 | KH-24-108-14-S | Ring Set |
| 40 | KH-32-874-09-S | Use KH-24-874-27-S Kit |
| N/A | KH-25-357-14-S | Camshaft Lubricant |

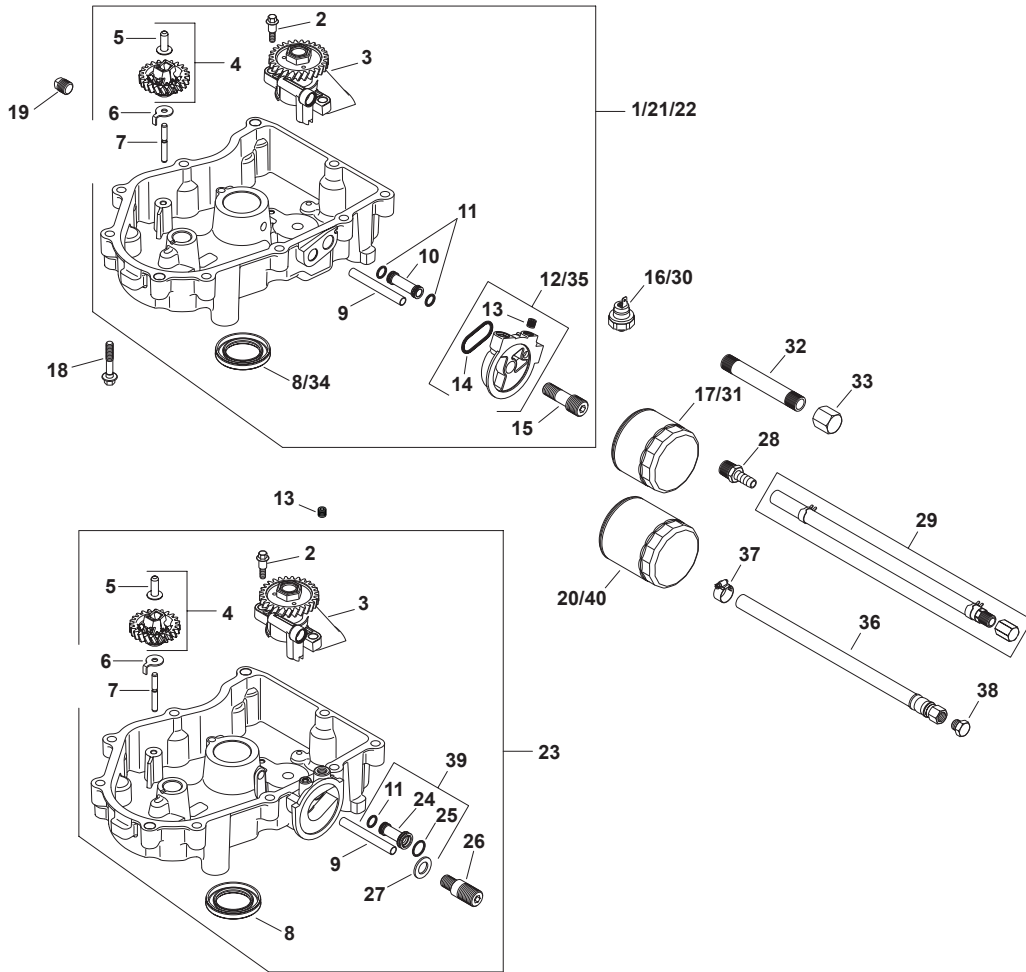
Kohler SV735 Head/Valve/Breather



Kohler SV735 Head/Valve/Breather

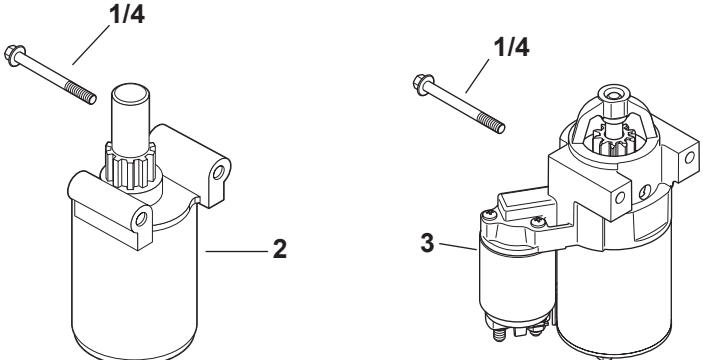
| Ref. | Part Number | Description | Ref. | Part Number | Description |
|------|-----------------|---|------|-----------------|--|
| 1 | KH-32-096-06-S | Breather Valve Cover Kit (Inc. 2) | 30 | KH-M-645016-S | Flg. Thd. Frm. Screw, M6 x 1.0 x 16 |
| 2 | KH-24-153-30-S | Valve Cover O-Ring | 31 | KH-32-096-04-S | Breather Cover Kit (Inc. 32) |
| 3 | KH-M-651030-S | Flg. Screw, M6 x 1.0 x 30 | 33 | KH-32-050-01-S | Breather Filter |
| 5 | KH-12-755-03 | Retainer Kit | 34 | KH-32-318-13-S | #1 Cylinder Head Assembly Kit (Inc. Exhaust Mounting Hardware) |
| 6 | KH-12-173-01 | Valve Spring Cap | 35 | KH-32-318-14-S | #2 Cylinder Head Assembly Kit (Inc. Exhaust Mounting Hardware) |
| 7 | KH-24-089-02 | Valve Spring | 36 | KH-32-146-09-S | Guide Plate |
| 8 | KH-235011-S | Spring Retainer | 37 | KH-32-072-04-S | Rocker Stud |
| 9 | KH-66-032-05-S | Valve Stem Seal | 38 | KH-32-186-03-S | Rocker Arm |
| 10 | KH-24-017-01 | Intake Valve | 39 | KH-32-100-05-S | Hex Nut Assembly (Incl. 39) |
| 11 | KH-24-016-01 | Exhaust Valve | 40 | KH-25-086-168-S | Set Screw |
| 12 | KH-32-326-06-S | Breather Hose Kit (Inc. 13) | 41 | KH-25-599-01-S | Rocker Arm Pivot |
| 13 | KH-25-237-14-S | Hose Clamp, ½ | 42 | KH-32-411-04-S | Push Rod |
| 14 | KH-32-081-02-S | Breather Housing Kit (Inc. 15 & 16) | 43 | KH-32-326-07-S | Fuel Pump Hose Kit w/Clamp (Inc. 44) |
| 15 | KH-M-547050-S | Lock Nut, M5 x .8 | 44 | KH-25-237-01-S | Hose Clamp |
| 16 | KH-32-468-01-S | Sealing Washer | N/A | KH-32-755-03-S | Cylinder Head Hardware Kit (Services 1 Head.) (Inc. 5-11, 19, 22, 25 & 34) |
| 17 | KH-32-072-03-S | Breather Cover Stud | N/A | KH-24-041-49-S | Exhaust Gasket |
| 18 | KH-32-019-02-S | Tappet | N/A | KH-24-153-27-S | Intake Port O-Ring |
| 20 | KH-32-841-01-S | Cylinder Head Gasket Kit (Inc. 26, KH-24-041-49-S & KH-24-153-27-S) | | | |
| 26 | KH-62-086-08-S | Flg. Screw, M10 x 1.5 x 90 | | | |
| 28 | KH-24-755-141-S | Breather Valve Cover Kit (Inc. 2 & 3) | | | |
| 29 | KH-25-445-01-S | Lifting Strap | | | |

Kohler SV735 Oil Pan/Lubrication



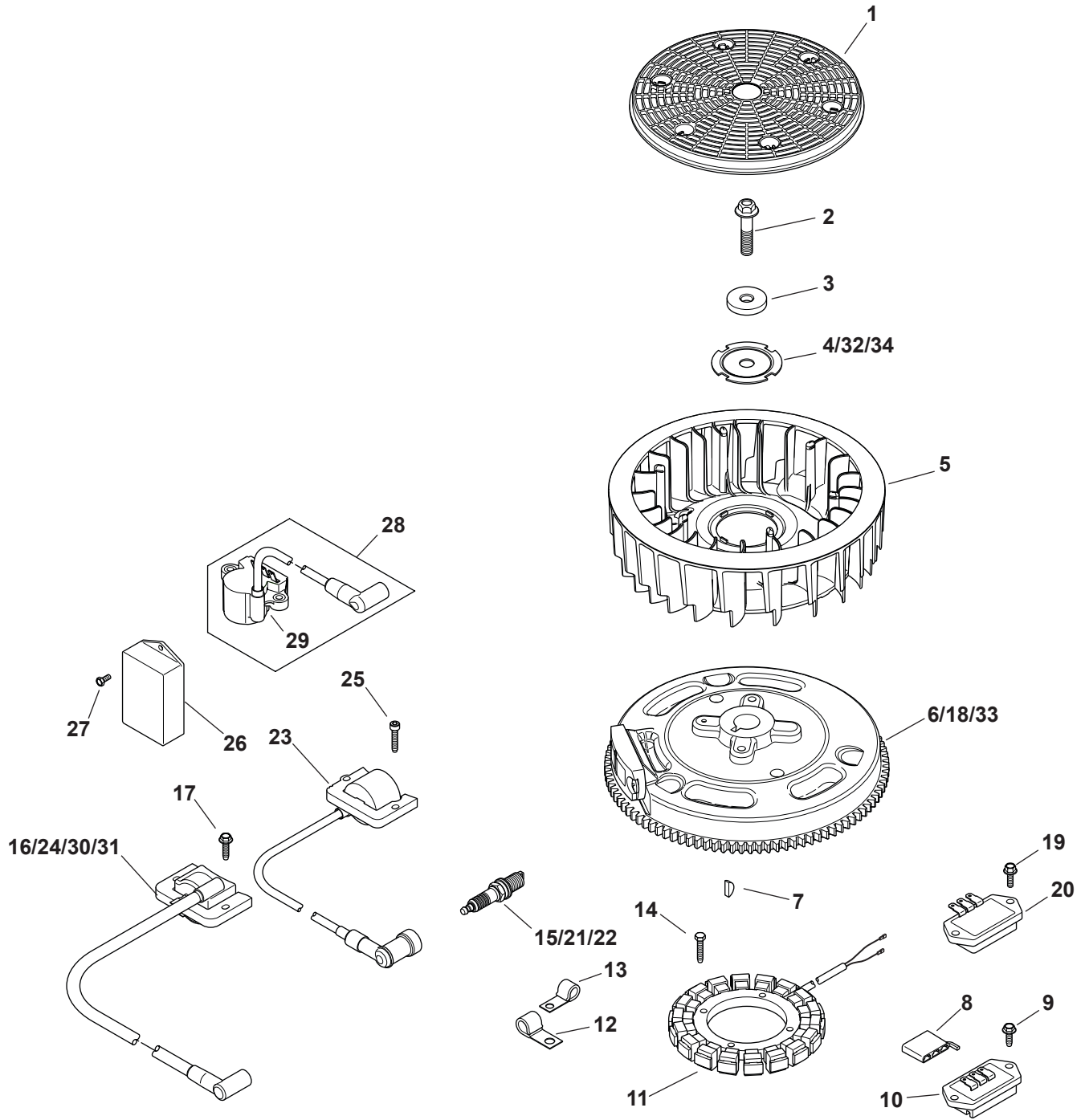
| Ref. | Part Number | Description |
|------|----------------|-------------------------------------|
| 2 | KH-32-086-01-S | Shd. Thd. Frm. Screw, M6 x .0 x 6.5 |
| 3 | KH-32-393-10-S | Oil Pump Assembly |
| 4 | KH-24-043-12 | Governor Gear Kit w/ Pin (Inc. 5) |
| 5 | KH-12-380-01 | Governor Regulating Pin |
| 6 | KH-24-448-02-S | Locking Tab |
| 7 | KH-12-144-02 | Governor Gear Shaft |
| 8 | KH-25-032-06-S | Oil Seal |
| 9 | KH-32-123-01-S | Oil Feed Tube - Filter To Pan |
| 11 | KH-24-153-01 | Oil Pick-Up O-Ring |
| 13 | KH-25-139-60-S | Ctsk. Pipe Plug, 1/8 |

| Ref. | Part Number | Description |
|------|----------------|--|
| 17 | KH-12-050-01-S | Oil Filter |
| 18 | KH-24-086-17-S | Flg. Screw, M8 x 1.25 x 45 |
| 19 | KH-25-139-57-S | Sq. Hd. Pipe Plug, 3/8 |
| 23 | KH-32-199-14-S | Oil Pan Assembly (Inc. 2-9, 11, 24-27) |
| 24 | KH-32-123-06-S | Oil Feed Tube |
| 25 | KH-32-153-05-S | O-Ring |
| 26 | KH-32-136-05-S | Oil Filter Nipple |
| 27 | KH-32-468-02-S | Flat Washer |
| 39 | KH-32-123-09-S | Oil Feed Tube Assembly (Inc. 11, 24, 25) |



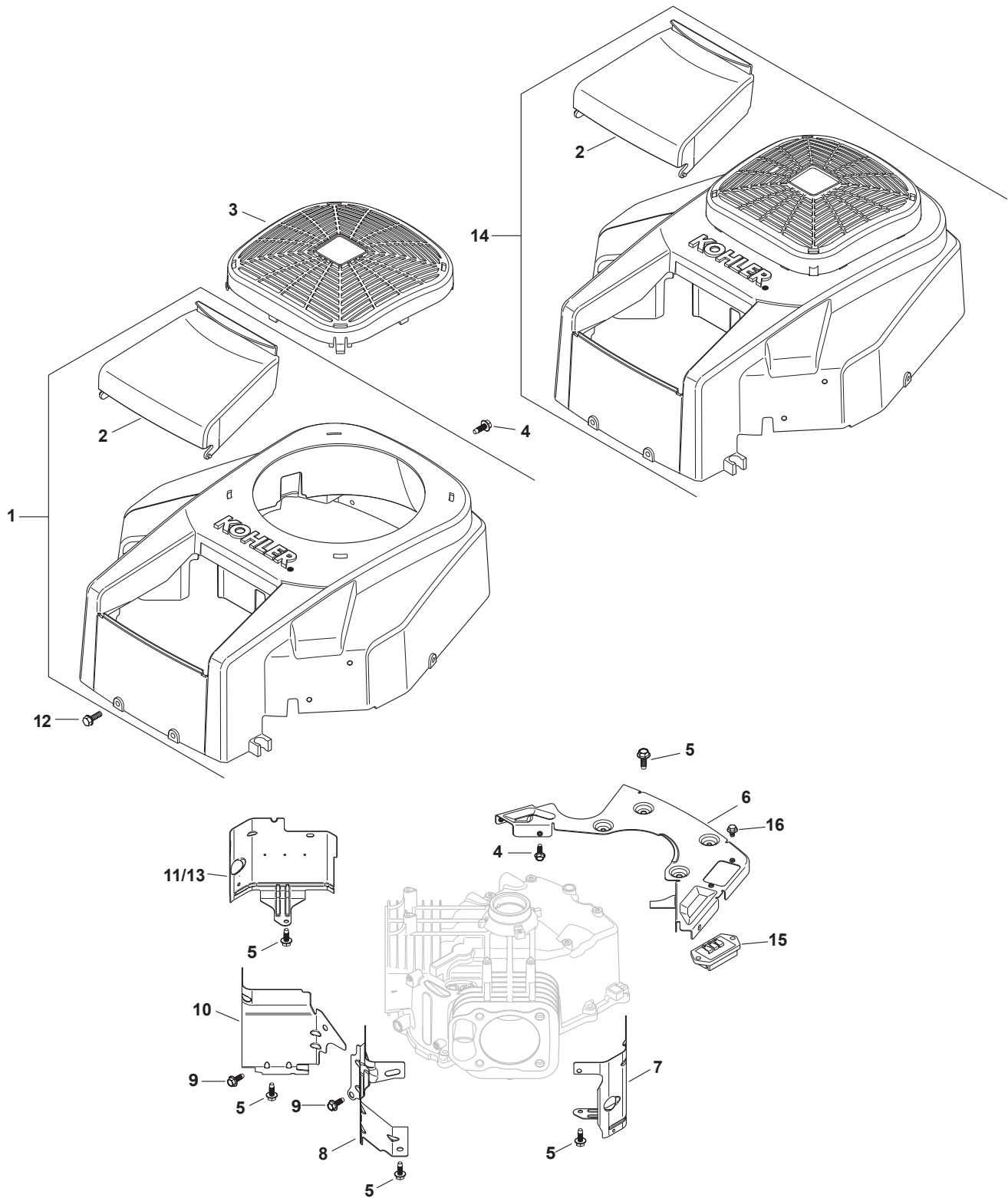
| Ref. | Part Number | Description |
|------|----------------|----------------------------|
| 2 | KH-32-098-03-S | Starter Assembly |
| 4 | KH-M-851080-S | Flg. Screw, M8 X 1.25 X 80 |

Kohler SV735 Ignition/Electrical



| Ref. | Part Number | Description |
|------|----------------|---|
| 1 | KH-32-162-03-S | Grass Screen |
| 2 | KH-12-086-14 | Flg. Screw, M10 x 1.5 x 45 |
| 3 | KH-12-468-03 | Flat Washer, ¹³ / ₃₂ |
| 4 | KH-20-146-05-S | Fan Mounting Plate |
| 5 | KH-32-157-01-S | Fan |
| 7 | KH-X-42-15 | Key, ³ / ₁₆ x ⁵ / ₈ |
| 8 | KH-25-155-41-S | Connector |
| 11 | KH-237878 | 15 Amp Stator Kit (Inc. KH-25-452-01-S) |
| 14 | KH-M-548025-S | Thd. Frm. Screw, M5 x 0.8 x 25 |
| 15 | 759-3336 | Spark Plug |
| 17 | KH-M-545020-S | Flg. Thd. Frm. Screw, M5 x .8 x 20 |
| 18 | KH-32-025-15-S | Flywheel Assembly |
| 29 | KH-24-584-63-S | Spark Adv. Module Assembly |
| N/A | KH-25-454-03-S | Wire Tie |
| N/A | KH-25-454-05-S | Tie |
| N/A | KH-32-176-26-S | Wiring Harness |
| N/A | KH-47-154-01-S | Cable Clip |
| N/A | KH-25-452-01-S | Terminal |

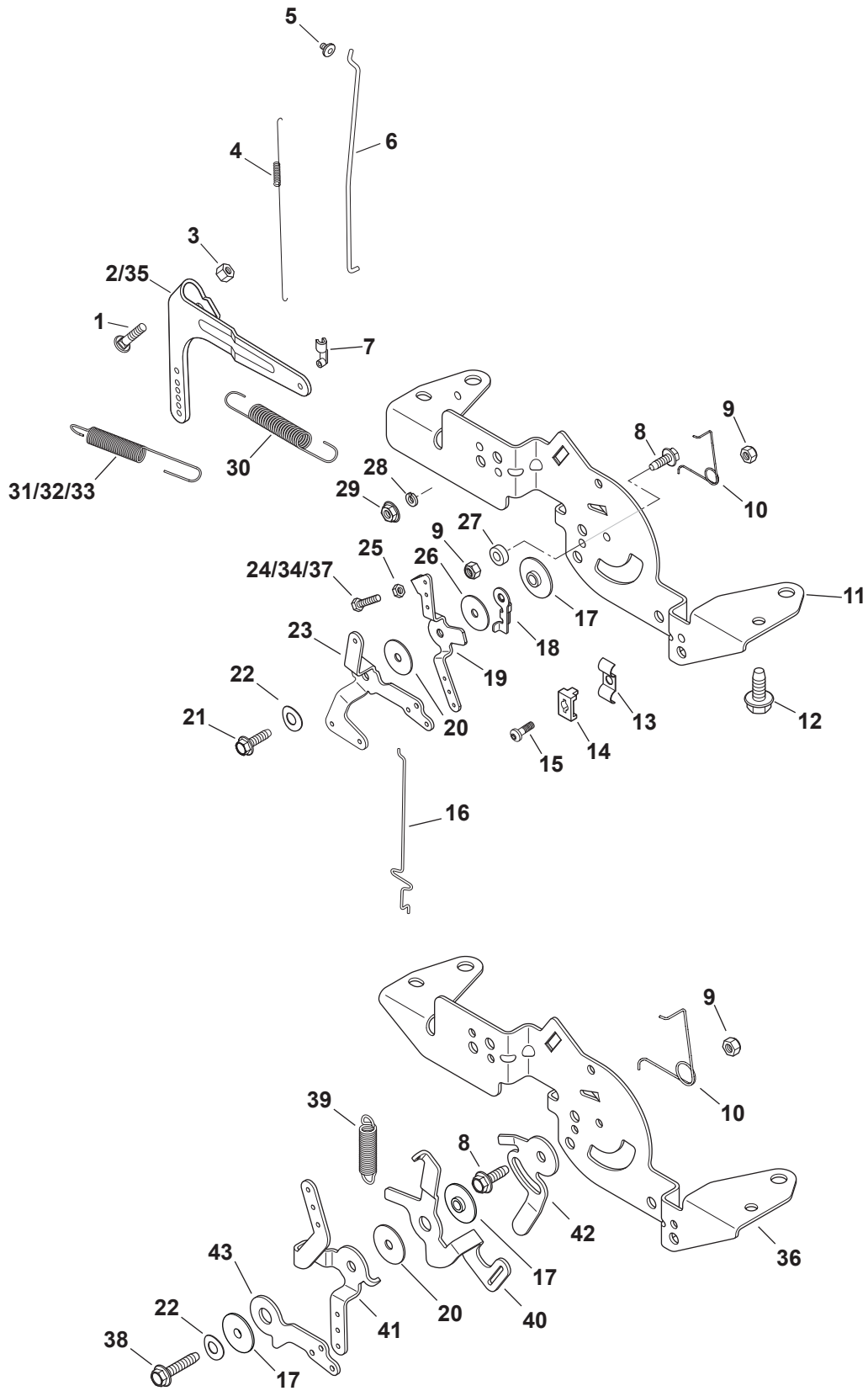
Kohler SV735 Blower Housing & Baffles



Kohler SV735 Blower Housing & Baffles

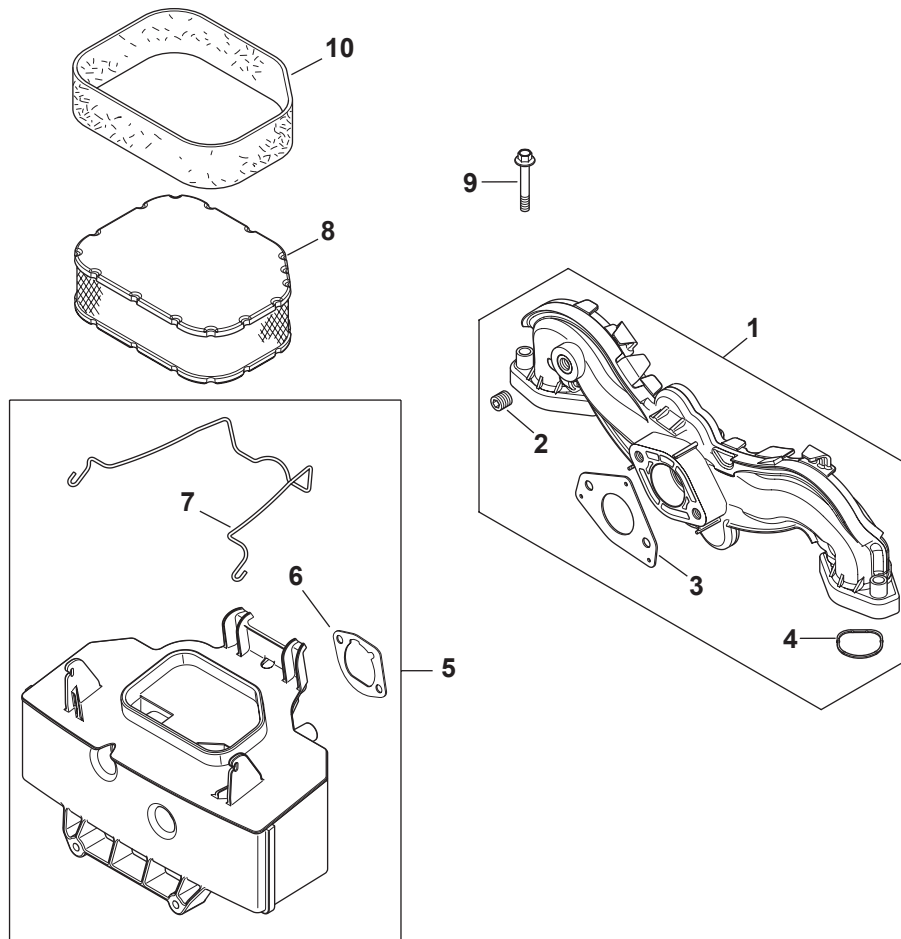
| Ref. | Part Number | Description |
|------|-----------------|--|
| 1 | KH-32-027-03-S | Housing Blower Kit (Inc. 2 & KH-41-037-10-S) |
| 2 | KH-32-096-08-S | Air Cleaner Cover |
| 4 | KH-M-545016-S | Flg. Thd. Frm. Screw, M5 x 0.8 x 16 |
| 5 | KH-M-645016-S | Flg. Thd. Frm. Screw, M6 x 1.0 x 16 |
| 6 | KH-32-146-05-S | Backing Plate Kit |
| 7 | KH-32-063-12-S | Cyl Barrel Baffle - #2 Side |
| 8 | KH-32-063-02-S | Valley Baffle - #2 Side |
| 9 | KH-M-0545010-S | Flg. Thd. Frm. Screw, M5 x .8 x 10 |
| 10 | KH-32-063-03-S | Valley Baffle - #1 Side |
| 11 | KH-32-063-10-S | Cyl Barrel Baffle - #1 Side |
| 12 | KH-24-086-12 | Tap Screw, M6 x 1.7 x 18 |
| 15 | KH-41-403-10-S | Regulator/Rectifier |
| 16 | KH-25-086-158-S | Flng. Thd. Frm. Screw, M6 x 1.0 x 10 |
| N/A | KH-41-037-10-S | Service Nameplate |

Kohler SV735 Engine Controls

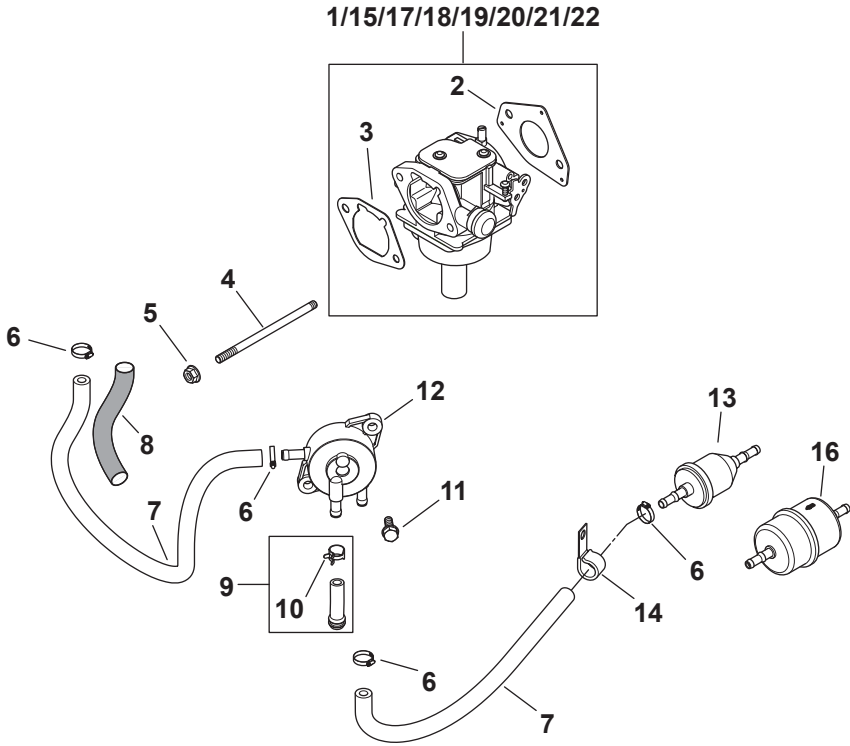


| Ref. | Part-Number | Description |
|------|-----------------|--------------------------------------|
| 1 | KH-24-211-03-S | Rd. Hd. Sq. Neck Bolt, M6 x 1.0 x 25 |
| 3 | KH-M-641060-S | Flg. Nut, M6 x 1.0 |
| 4 | KH-24-089-01 | Linkage Spring |
| 5 | KH-25-158-08 | Linkage Retaining Bushing |
| 6 | KH-24-079-04 | Throttle Linkage |
| 7 | KH-25-158-11 | Throttle Linkage Bushing |
| 8 | KH-M-545016-S | Flg. Thd. Frm. Screw, M5 x 0.8 x 16 |
| 9 | KH-M-547050-S | Lock Nut, M5 x .8 |
| 10 | KH-24-089-03 | Choke Return Spring |
| 12 | KH-M-645016-S | Flg. Thd. Frm. Screw, M6 x 1.0 x 16 |
| 14 | KH-12-237-01 | Cable Clamp |
| 15 | KH-24-086-43-S | Lbd. Thd. Frm. Screw, M5 x 0.8 x 16 |
| 16 | KH-24-079-22-S | Choke Linkage |
| 17 | KH-24-112-27-S | Control Assembly Spacer |
| 20 | KH-24-468-01 | Flat Washer, 5.5mm |
| 22 | KH-41-468-03 | Spring Washer, ¼ |
| 30 | KH-24-089-55-S | Governor Spring |
| 33 | KH-24-089-18 | Governor Spring |
| 35 | KH-24-090-51-S | Governor Lever |
| 36 | KH-24-126-172-S | Control Bracket |
| 38 | KH-25-086-151-S | Thd. Frm. Screw, M5 x 0.8 x 25mm |
| 39 | KH-32-089-03-S | Speed Control Spring |
| 40 | KH-32-090-07-S | Governor Spring Lever |
| 41 | KH-32-090-08-S | Speed Control lever |
| 42 | KH-32-090-09-S | Speed Setting lever |
| 43 | KH-32-090-10-S | Choke Lever |

Kohler SV735 Air Intake/Filtration



| Ref. | Part Number | Description |
|------|-----------------|-----------------------------------|
| 1 | KH-24-164-91-S | Intake Manifold Kit (Inc. 2-4) |
| 2 | KH-24-041-52-S | Carburetor Gasket |
| 3 | KH-24-153-27-S | Intake Port O-Ring |
| 4 | KH-25-139-60-S | Ctsk. Pipe Plug, 1/8" |
| 5 | KH-32-094-04-S | Air Cleaner Base Kit (Inc. 5 & 6) |
| 6 | KH-24-041-14 | Air Cleaner Base Gasket |
| 7 | KH-32-344-02-S | Air Cleaner Element Latch |
| 8 | KH-32-883-03-S1 | Air Filter Element |
| 9 | KH-M-651040-S | Flg. Screw, M6 x 1.0 x 40 |
| 10 | KH-32-883-03-S1 | Pre-Cleaner Element |

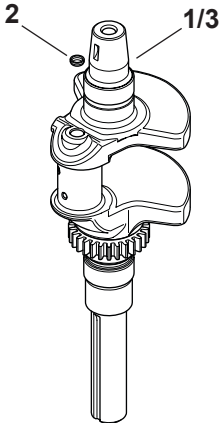


| Ref. | Part-Number | Description |
|------|----------------|--|
| 1 | KH-32-853-12-S | Carburetor Kit, 22mm KEIHIN (Inc. 2 & 3) |
| 4 | KH-M-629105-S | Stud, M6 x 1.0 x 106 |
| 5 | KH-M-641060-S | Flg. Nut, M6 x 1.0 |
| 6 | KH-25-237-14-S | Hose Clamp, 1/2 |
| 7 | KH-25-111-34-S | Fuel Line |
| 11 | KH-24-086-12 | Tap Screw, M6 x 1.7 x 18 |
| 12 | KH-24-393-16 | Fuel Pump |

| Ref. | Part-Number | Description |
|------|-----------------|--|
| 13 | KH-25-050-22-S1 | Fuel Filter |
| 14 | KH-47-154-01-S | Cable Clip |
| N/A | KH-24-757-36-S | Choke Repair Service Kit (Inc. 2 & 3) |
| N/A | KH-24-757-38-S | Gasket Repair Service Kit (Inc. 2 & 3) |
| N/A | KH-24-757-44-S | Float Kit (Inc. 2 & 3) |
| N/A | KH-24-757-45-S | Solenoid Valve Repair Kit (Inc. 2 & 3) |
| N/A | KH-24-757-46-S | Overhaul Repair Kit (Inc. 2 & 3) |

Kohler SV735 Miscellaneous

| Ref. | Part Number | Description |
|-------------|--------------------|-----------------------------------|
| N/A | Decals | |
| — | KH-25-113-39-S | Clear Laminate Decal |
| — | KH-32-113-60-S | Fill Check Decal |
| — | KH-32-113-25-S | 26HP Courage Twin (Bullets) Decal |
| N/A | KH-32-522-03 | SV710-740 Shortblock |
| N/A | KH-32-755-01-S | Gasket Set |



| Ref. | Part Number | Description |
|------|----------------|---------------------|
| 2 | KH-52-139-09-S | Cup Plug |
| 3 | KH-32-014-04-S | Crankshaft (Inc. 2) |

Notes



To order replacement parts, call a Customer Support Representative at (800) 965-4CUB.
Locate your nearest Cub Cadet dealer at (877) 282-8684
or visit www.cubcadet.com to find the nearest Cub Cadet dealer in your area.

CUB CADET LLC, P.O. BOX 361131 CLEVELAND, OHIO 44136-0019
