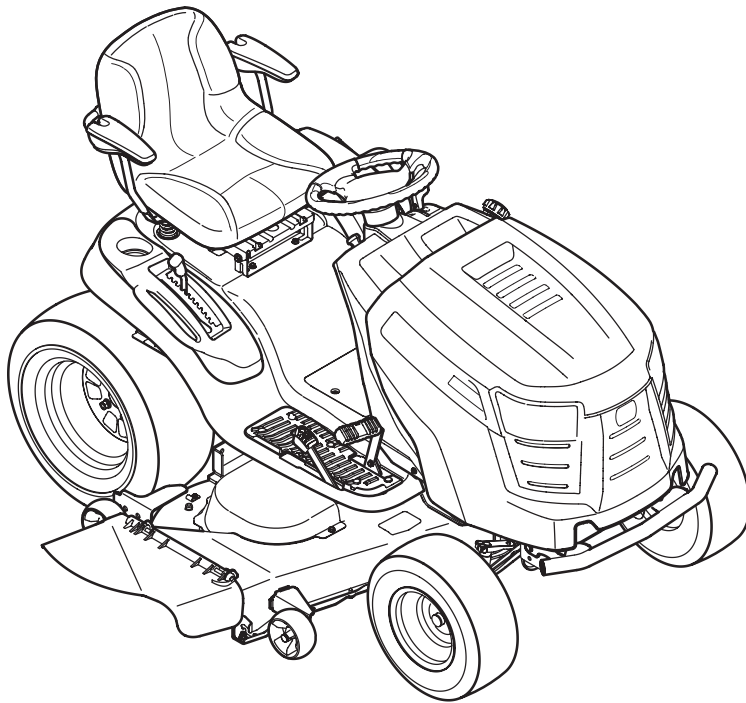

Cub Cadet[®]

ILLUSTRATED PARTS MANUAL



Hydrostatic Lawn Tractor — SLTX1054VT

CUB CADET LLC, P.O. BOX 361131 CLEVELAND, OHIO 44136-0019

To The Owner

Thank you for purchasing an Cub Cadet Lawn Tractor. It was carefully engineered to provide excellent performance when properly operated and maintained.

All information in this manual is relative to the most recent product information available at the time of printing. Please be aware that this Illustrated Part's Manual may cover a range of product specifications for various models.

Components listed and/or illustrated in this manual may not be applicable to all models. We reserve the right to change product specifications, designs and equipment without notice and without incurring obligation.

Throughout this manual, all references to *right* (RH) and *left* (LH) are observed from the operating position.

Table of Contents

<i>Axle, Front</i>	4	<i>Deck Lift Handle/Linkage</i>	8
<i>Battery</i>	6	<i>Labels</i>	22
<i>Head Lamps</i>	10	<i>Meter, Systems Indicator</i>	10
<i>Mower Deck, 54-inch</i>	14	<i>Muffler</i>	21
<i>Pedal Controls</i>	13	<i>PTO</i>	6
<i>Dash Panel</i>	10	<i>Seat</i>	8
<i>Drive System</i>	12	<i>Solenoid</i>	6
<i>Electrical Schematic</i>	24	<i>Steering</i>	4
<i>Engine Accessories</i>	21	<i>Switches, Interlock</i>	6
<i>Engine, B&S 44P777</i>	25-39	<i>Throttle Control</i>	10
<i>Fender</i>	8	<i>Transmission, Hydrostatic</i>	18
<i>Frame</i>	6	<i>Wheels, Front & Rear</i>	3
<i>Fuel Tank</i>	10		
<i>Hood</i>	10		

Record Product Information

To ease in ordering replacement parts, please locate the model plate on the equipment and record the information in the provided area to the right. You can locate the model plate by looking beneath the seat.

MODEL NUMBER

--	--	--	--	--	--	--	--	--	--	--

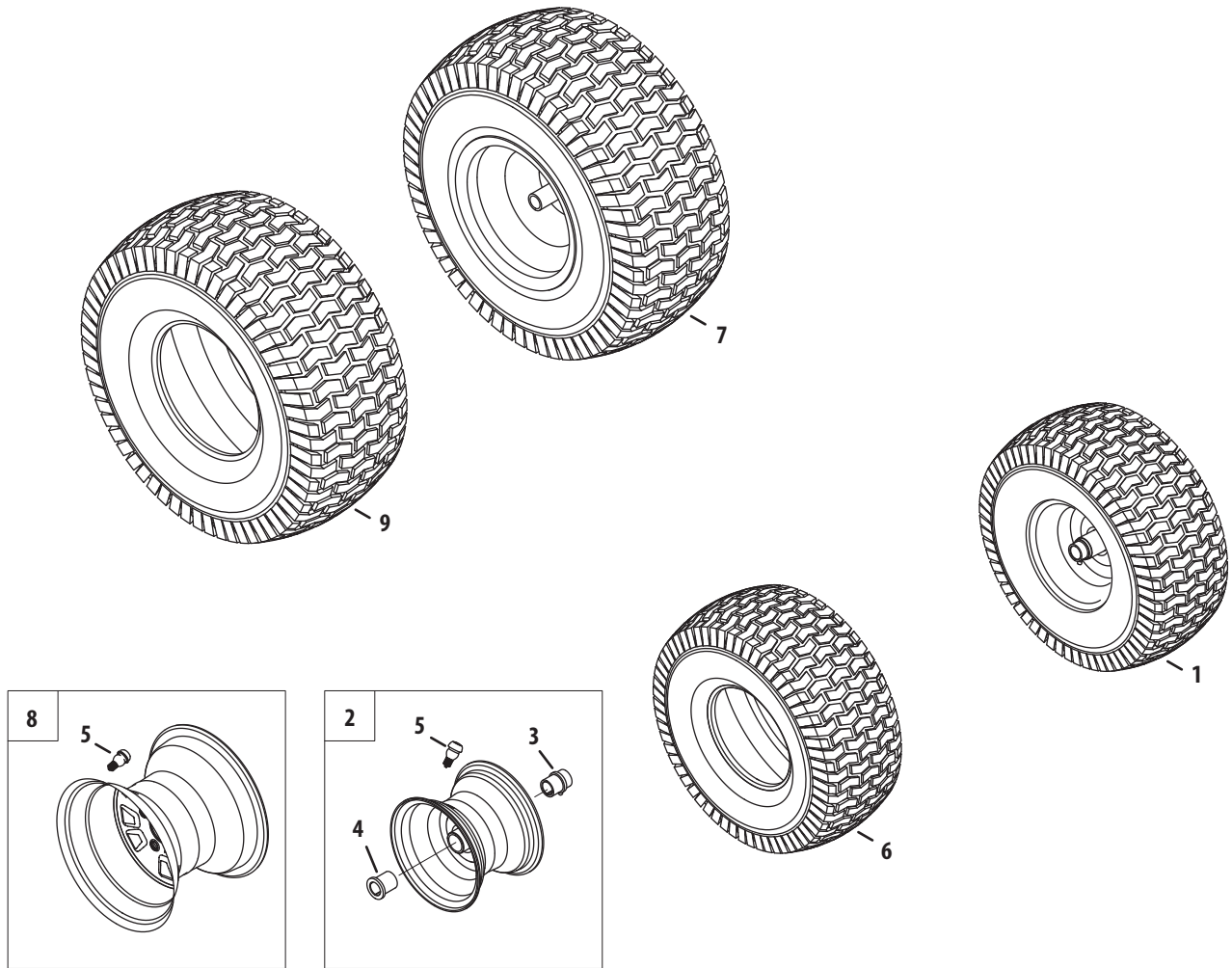
SERIAL NUMBER

--	--	--	--	--	--	--	--	--	--	--

Painted Parts

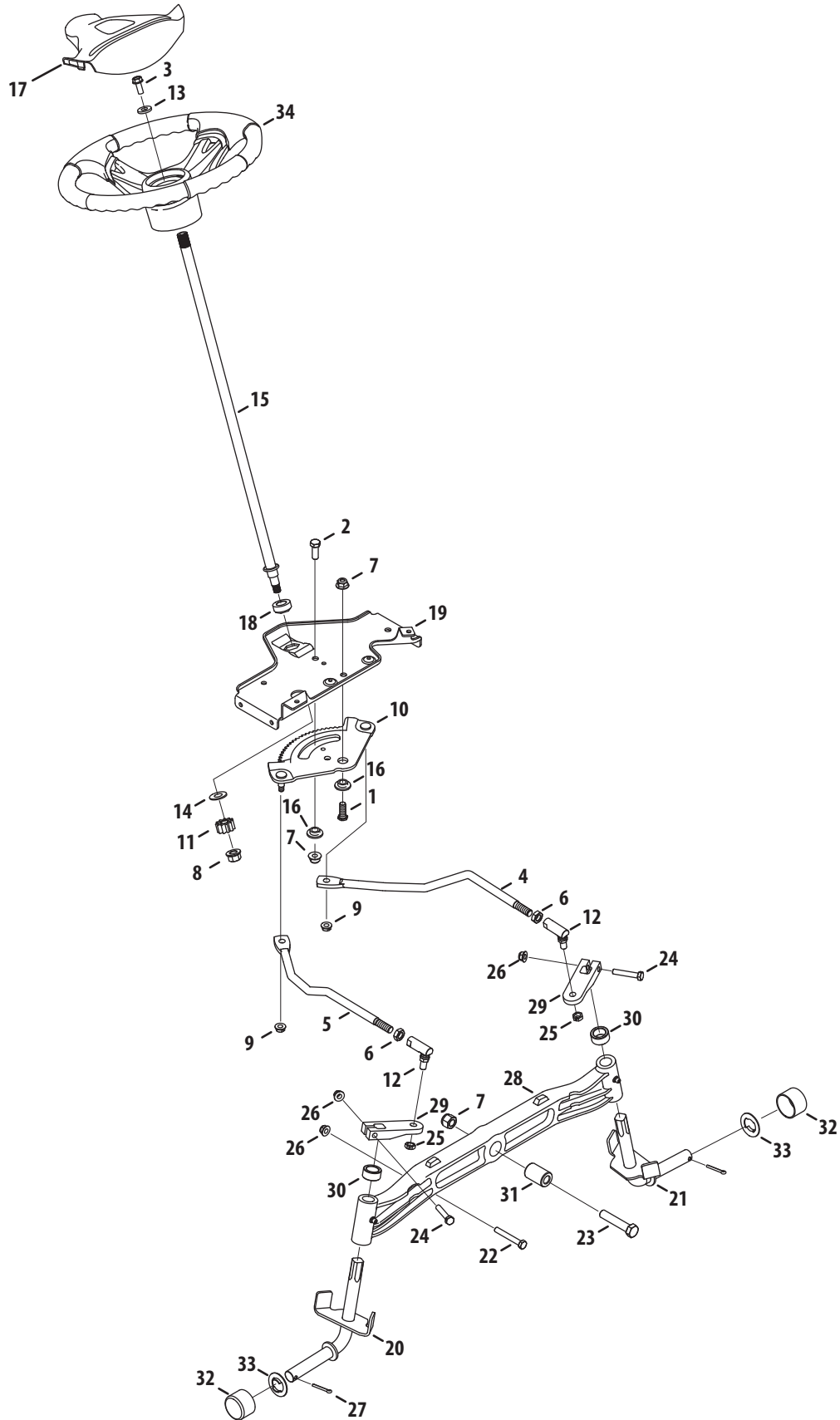
When ordering painted service parts, a four digit color suffix must be added to the part number (e.g. 783-XXXXX-0637). Please refer to the table below for current color codes:

0637	Black	0685	Blue (Cub Cadet)
4021	Yellow (Cub Cadet)	0691	Black Jack (Cub Cadet Commercial)
0499	Beige (Cub Cadet)		



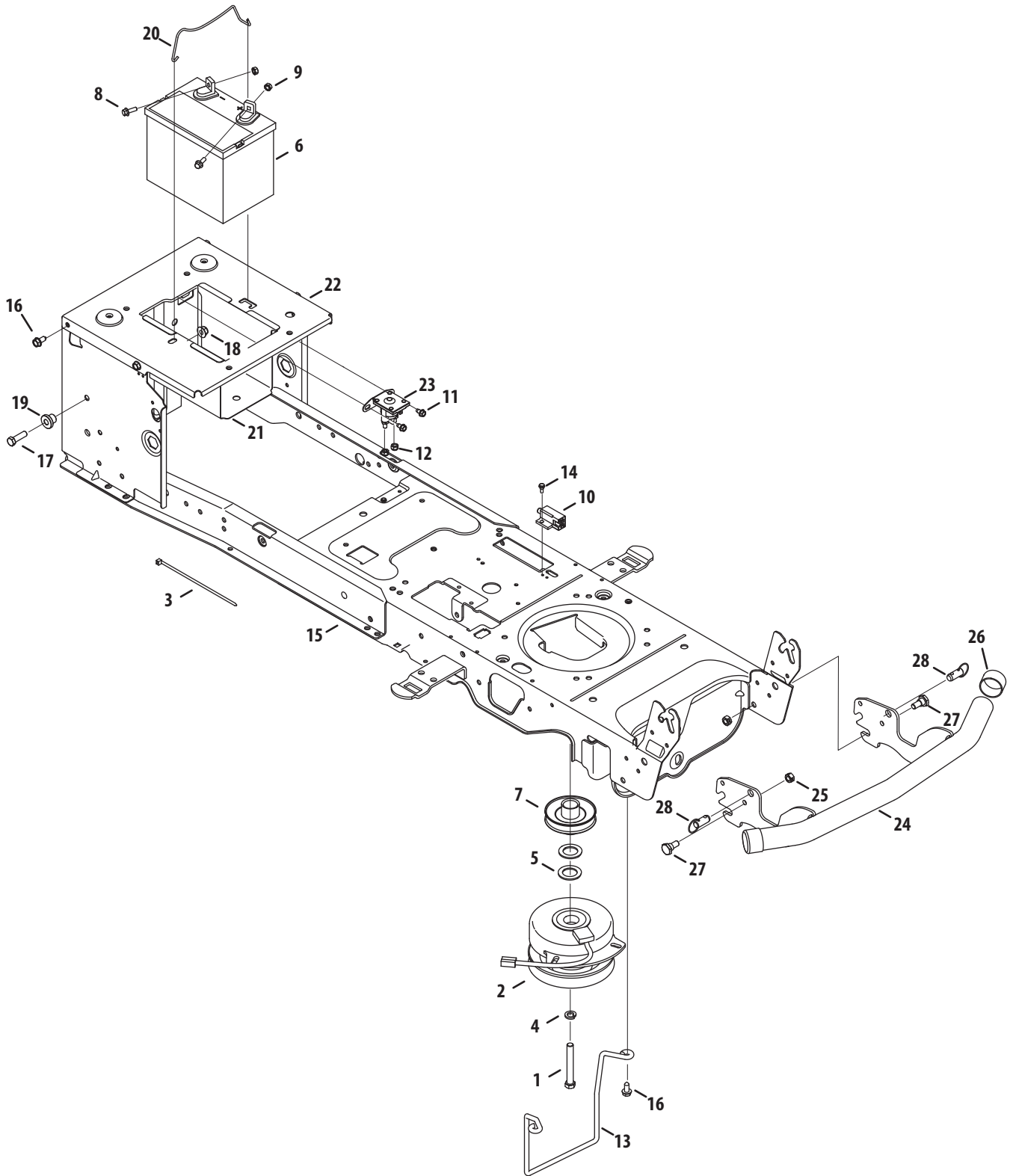
Ref.	Part Number	Description
1.	—	Wheel Ass'y, Complete, 16 x 6 x 5.8
2.	634-04082	Rim Ass'y, 8.0 x 5.3, Plastic Bearings
3.	741-0990B	Bearing, Flange, .760 ID w/ Fitting
4.	741-0516B	Bearing, Flange, .760 x 1.00 x 1.20
5.	934-0255	Valve, Tubeless Air
6.	734-1727	Tire, 15 x 6.5 x 8 Sq Shoulder
7.	634-04210-0931	Wheel, Complete, 22 x 9.5 x 12
8.	634-04238	Rim Ass'y, 12.0 x 7.0
9.	734-04174	Tire, 22 x 9.5 x 12 Sq Shoulder

Steering



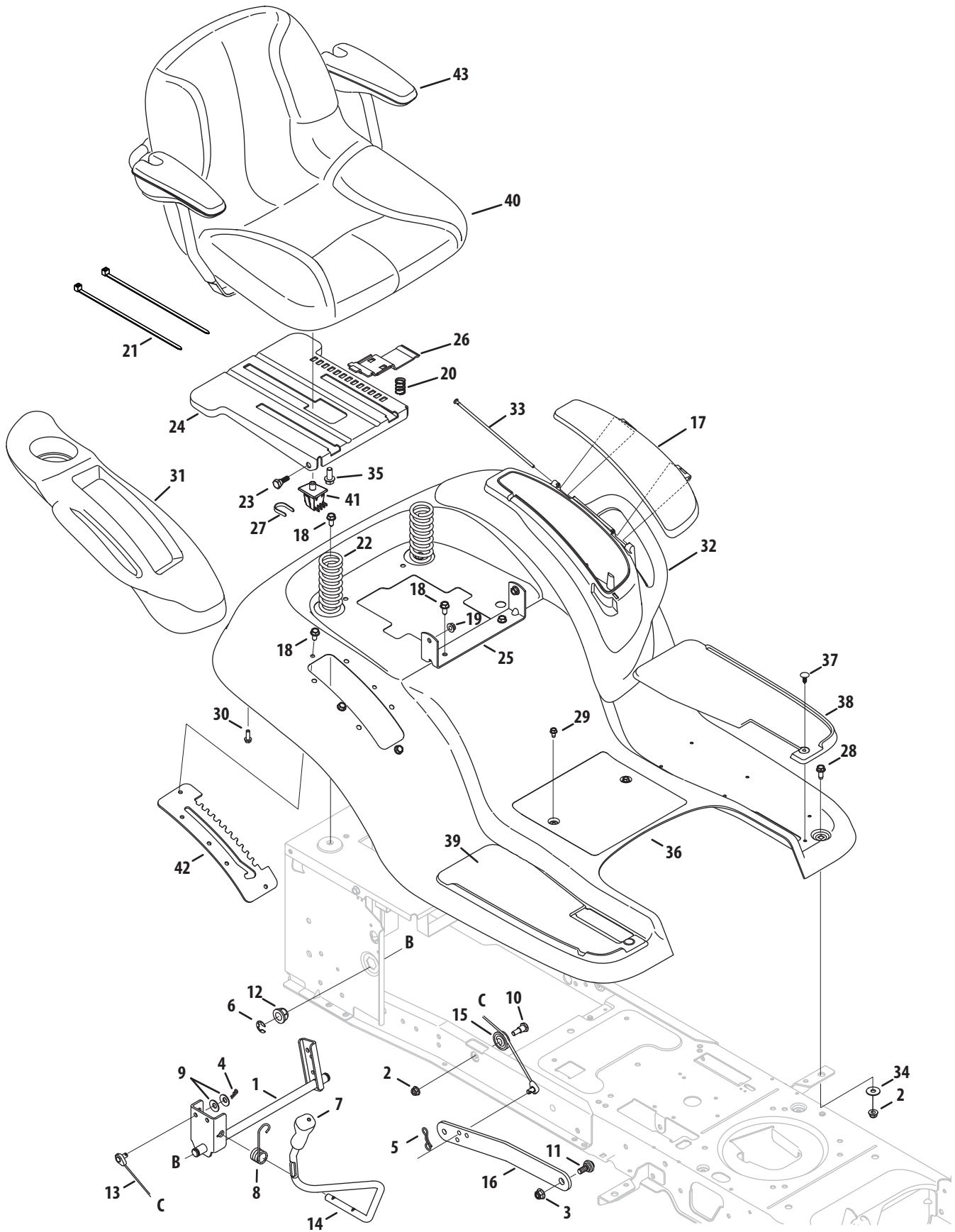
Ref.	Part Number	Description
1.	710-04095	Hex Screw, 3/8-16, 1.00, Gr5, Spec
2.	710-0514	Hex Screw, 3/8-16, 1.00, Gr5, Std
3.	710-0650	Hex Screw, 5/16-18, .875, Gr5, Lock
4.	711-04998	Link, Drag LH
5.	711-04999	Link, Drag RH
6.	912-0240	Nut, Jam, 7/16-20, Gr2
7.	712-04065	Nut, Flange Lock, 3/8-16, Grf,
8.	712-0459	Nut, Flange Lock, 7/16-20, Grb, Lock
9.	712-3004A	Nut, Flange Lock, 5/16-18, Gr5, Sd Lk
10.	717-1550F	Gear, Steering, 11/90 Ratio
11.	717-1554	Gear, Pinion, Steering
12.	923-0448A	Ball Joint, 7/16-20, Lock
13.	936-3004	Washer, Flat, .406 x .875 x .105
14.	736-3084	Washer, Flat, .51 x 1.12 x .06
15.	738-04262	Shaft, Steering, .625 OD x 25, Cub
16.	738-04363	Spacer, Shoulder, .385x 1.25 x .3025
17.	731-04532B	Cover, Steering Wheel, Cub Cadet
18.	741-04237B	Bearing, Flange, Hex 5/8 Pm
19.	783-06043	Bracket, Support, Steering
20.	638-04029	Axle Ass'y, RH .750 Dia.
21.	638-04030	Axle Ass'y, LH .750 Dia.
22.	710-0395	Hex Screw, 5/16-18, 2.25, Gr5, Std
23.	710-0859	Hex Screw, 3/8-16, 2.50, Gr5, Std
24.	710-3180	Hex Screw, 5/16-18, 1.75, Gr5, Std
25.	912-0214	Nut, Hex Lock, 3/8-24, Grb
26.	712-04063	Nut, Flange Lock, 5/16-18, Grf
27.	714-0162	Pin, Cotter, 5/32, 1.25
28.	719-04413A	Axle, Pivot Bar, Cast
29.	748-04065	Steering, Block
30.	748-04068	Spacer, .71 ID x .125 OD x .56
31.	750-05280	Spacer, .385 x 1.00 x 1.5075
32.	731-05674	Cap, Bumper
33.	736-04228A	Washer, Flat, .350 x 1.559 x .062
34.	631-04008A	Wheel, Steering, 3 Spoke, Softgrip

Frame, Electrical and PTO



Ref.	Part Number	Description
1.	710-04379A	Hex Screw, 7/16-20, 3.50, Gr5, Lock
2.	917-1774C	Clutch, Electric PTO
3.	725-0157	Cable, Tie, 3/16 X .05 X 7.4
4.	936-0171	Washer, Lock, 7/16 , Regular Duty
5.	736-0277	Washer, Flat, 1.031 X1.620 X.095
6.	925-1707D	Battery
7.	756-0978B	Engine Pulley, Electric PTO
8.	710-04666	Hex Flange Screw, 1/4-20, .75, Gr5
9.	712-0271	Nut, Sems, 1/4-20
10.	725-04363	Switch, Interlock
11.	710-0653	Screw, Self-tapping, 1/4-20, 0.375
12.	712-04064	Nut, Flange Lock, 1/4-20, Nylon
13.	747-05195	Rod, Keeper
14.	738-04237A	Screw, Shoulder, #10-32, .50
15.	683-04469A	Frame Assembly, Lower
16.	710-04484	Screw, Self-tapping, 5/16-18, .750
17.	710-3005	Hex Screw, 3/8-16, 1.25, Gr5, Std
18.	712-04065	Nut, Flange Lock, 3/8-16, Nylon
19.	738-04058	Spacer, Shoulder, .38 X 1.0 X .70
20.	747-04121A	Rod, Battery
21.	783-0349	Tray, Battery
22.	783-06089	Bracket, Frame, Seat
23.	725-04439	Solenoid, 12V, 100 Amp, 4 term
24.	683-04219B	Bumper Assembly, Universal
25.	912-3000	Nut, Hex Lock, 3/8-16, GrB
26.	731-05674	Cap, Bumper
27.	738-0143	Bolt, Shoulder, .496 x .336, 3/8-16
28.	714-04061	Pin, Quick Release, 1/2 Dia x .50
—	925-04093	Harness Assembly, Main

Seat, Fender and Lift



Seat, Fender and Lift

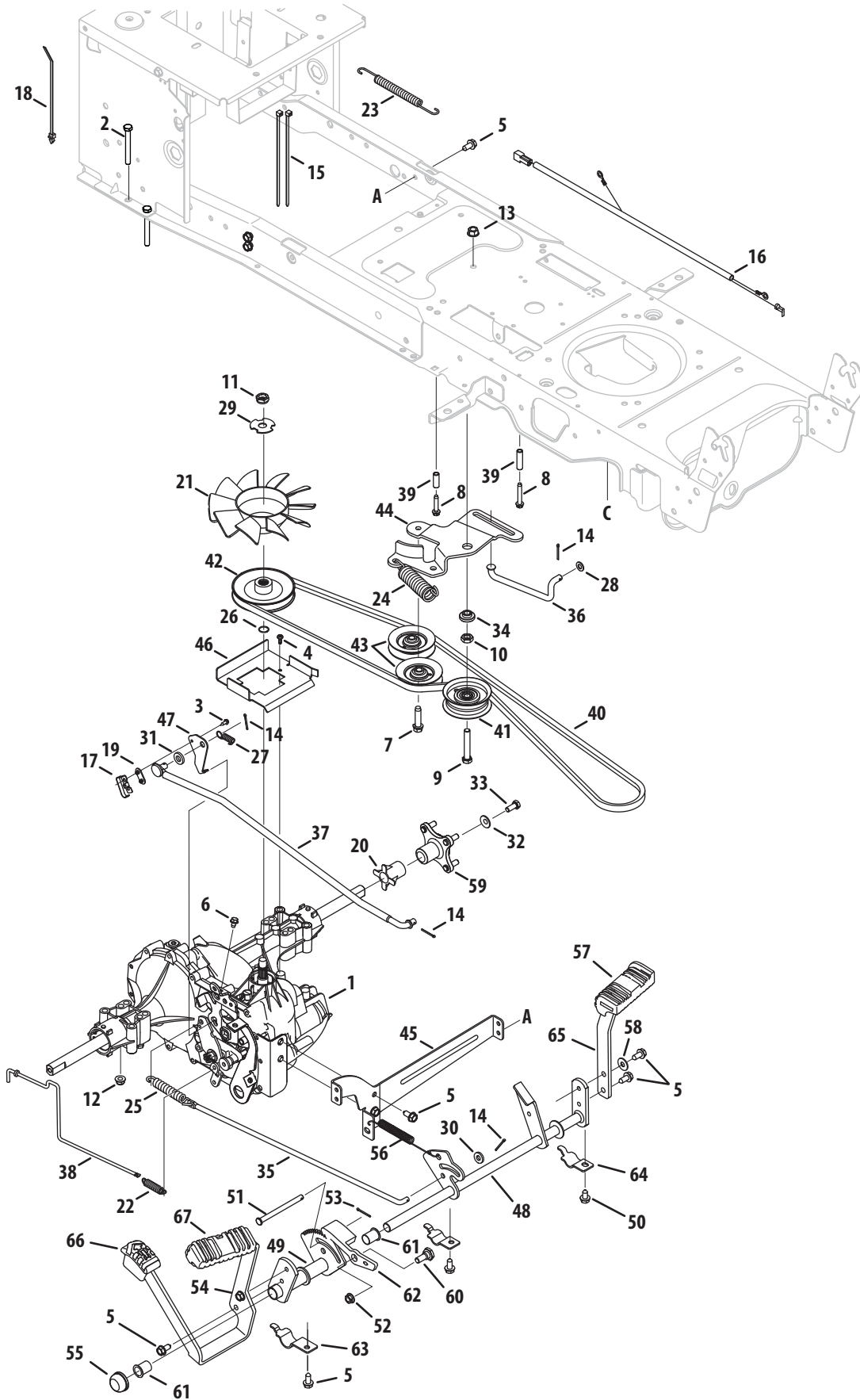
Ref.	Part Number	Description	Ref.	Part Number	Description
1.	683-04301	Shaft Ass'y, Lift, 54"	23.	938-0296	Screw, Shoulder, .437 x .268, 5/16-18
2.	712-04063	Nut, Flange Lock, 5/16-18, Grf	24.	783-06049	Bracket, Mounting, Seat
3.	712-04065	Nut, Flange Lock, 3/8-16, Grf	25.	783-06088	Bracket, Pivot, Seat
4.	914-0104	Pin, Cotter, .072 Dia. x 1.13	26.	783-06050	Lever, Seat Adjustment
5.	714-04040	Pin, Cotter, Bow-Tie 72	27.	783-06448	Clip, Retaining, Switch
6.	716-0106A	Ring, E Type, .625 Dia. Shaft	28.	710-1260A	Hex Screw, 5/16-18, .75, Gr5, Std
7.	720-04139	Grip, Handle, Cub, .50 ID	29.	710-0599	Screw, Self-tapping, 1/4-20, 0.500,
8.	732-0874	Spring, Torsion	30.	710-0895	Screw, HL, 1/4-15, 0.750,
9.	736-0105	Washer, Spring, .401 x .870 x .063	31.	731-06700	Cover, Fender, RH
10.	738-0138A	Screw, Shoulder, .437 x .470, 5/16-18	32.	731-06676	Cover, Fender, LH
11.	938-0380	Bolt, Shoulder, .50, 3/8-16	33.	747-05039	Pin, Door
12.	941-0225	Bearing, Hex Flange	34.	736-3078	Washer, Flat .344 x 1.00 x .063
13.	746-0968	Cable, Lift, 16.16	35.	710-04482	Hex Flange Screw, 3/8/16, .875, Gr5
14.	747-04962A	Handle, Lift,	36.	783-06118	Fender, Cub Hydro
15.	756-04331	Pulley, Roller, Cable	37.	726-3046	Clip, Ratchet, .250 Dia
16.	783-05546A	Link, Lift	38.	735-04137	Pad, Foot, LH
17.	731-06584	Door, Cover, Fender	39.	735-04139	Pad, Foot, RH
18.	710-04484	Screw, Self-tapping, 5/16-18, .750,	40.	757-04132	Seat, High Back Cloth w/o Arm Rest
19.	712-3004A	Nut, Flange Lock, 5/16-18, Gr5, Sd Lk	41.	925-05013	Switch, Seat
20.	732-04563	Spring, Compr', .68 x 1.065 x .055	42.	783-06181	Bracket, Lift
21.	725-0157	Cable, Tie, 3/16 x .05 x 7.4	43.	757-04073	Arm Rest Kit
22.	732-04561	Spring, Compr's, 1.71 x 3.735 x .238			

Fuel Tank, Hood and Dash

Ref.	Part Number	Description
1.	710-04484	Screw, Self-tapping, 5/16-18, .750
2.	710-0599	Screw, Self-tapping, 1/4-20, 0.500
3.	710-0895	Screw, HL, 1/4-15, 0.750
4.	710-1017	Screw, Ab, 1/4-14, 0.625,
5.	710-1611B	Screw, Self-tapping, 5/16-18, 0.750,
6.	710-1652	Screw, Self-tapping, 1/4-20 x .625
7.	710-3217	Screw, Mach, #8-32, 0.375
8.	712-0142	Nut, Hex, #8-32
9.	714-04040	Pin, Cotter, Bow-Tie 72
10.	726-3046	Clip, Ratchet, .250 Dia
11.	731-05447A	Lever, Dash, Cruise/Brake
12.	731-06593	Knob, Throttle
13.	931-06666	Dash Panel, A-Style, Man PTO
14.	735-0271A	Bumper, .62 Dia X .3
15.	735-04076	Net
16.	747-05009A	Rod, Control, Latch Cub
17.	747-1196	Rod, Lever, Bent
18.	783-06098	Support, Dash, Plate LH
19.	783-06099	Support, Dash, Plate RH
20.	925-1649	Socket, Lamp
21.	710-05108	Screw, 1/4 Dia, .750
22.	926-0154	Tie, Cable, Push Mount 7.5 Lg
23.	931-04322	Grille Ass'y (Incl. 26, 27, 32 & 33)
24.	931-06542	Scoop, Hood, RH A-Style
25.	931-06543	Scoop, Hood, LH A-Style
26.	931-06558	Lens, Hood, RH A-Style
27.	931-06559	Lens, Hood, LH A-Style
28.	931-06634	Hood, A-Style

Ref.	Part Number	Description
29.	936-0222	Washer, Lock, 1/4, External
30.	936-3020	Washer, Flat, .271, .630, .065
31.	738-04091A	Screw, Shoulder, .43x.29, 5/16-18
32.	777X44055	Reflector, Cub A Style, LH
33.	777X44056	Reflector, Cub A Style, RH
34.	783-06114	Bracket, Pivot, Hood A-Style
35.	751-10879	Tank, Fuel, 3.75 Gal.
	751-10906	Tank, Fuel, 3.30 Gal. (CA)
36.	710-1652	Screw, Self-tapping, 1/4-20, .625
	710-0642	Screw, Self-tapping, 1/4-20, .75 (CA)
37.	747-05040A	Rod, Support, Fuel Tank
38.	951-10589	Canister, Carbon, 5 Gallon (CA)
39.	951-10590	Filter, Vent, Canister (CA)
40.	951-10610	Bracket, Adapter, Canister (CA)
41.	751-10749	Hose, Fuel, Low Perm, 3/16 Wht (CA)
42.	751-10750-28	Hose, Fuel, Low Perm, 7/32 Yel (CA)
43.	751-10441	Valve, Rollover Grommet (CA)
44.	735-04081	Grommet, Rubber, 23.0 ID (CA)
45.	751-0603A	Cap, Fuel
	951-10947	Cap, Fuel (CA)
46.	925-2054A	Key, Ignition
47.	735-04170	Gasket, Fuel Tank
48.	925-0963	Lamp, 12v
49.	731-1999	Plug, Choke
50.	925-04227B	Module Switch, Ignition
51.	946-04556	Cable, Throttle/Choke, 38"
52.	925-04022B	Meter, Indicator
53.	725-04258	Switch, Electric PTO, Yellow

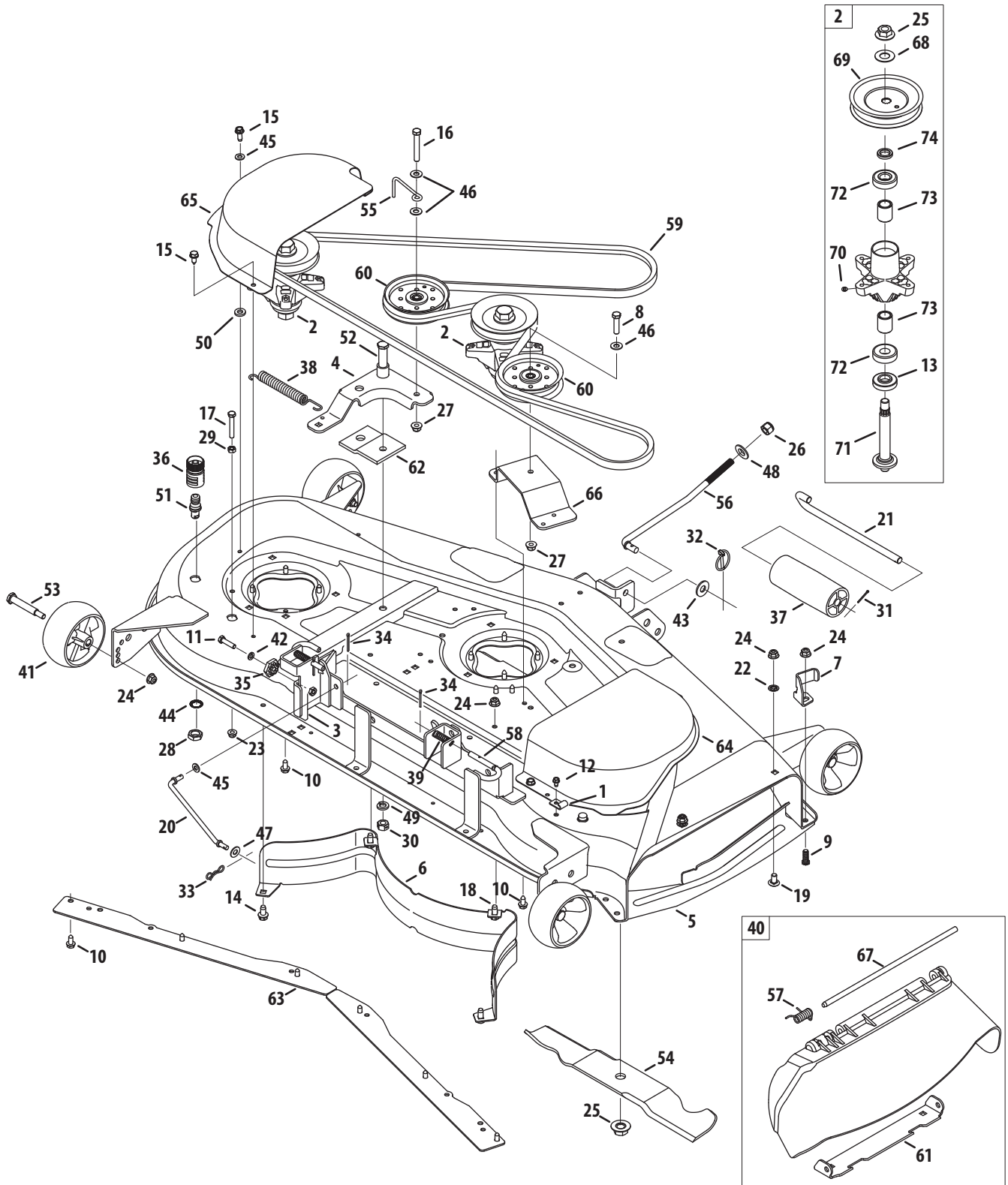
Drive System



Ref.	Part Number	Description
1.	918-04270B	Transmission, Hydro-Gear 0610
2.	710-0176	Hex Screw, 5/16-18, 2.75, Gr5, Std
3.	710-0227	Screw, #8-18, 0.500,
4.	710-0351	Screw, #10-16, 0.500
5.	710-04484	Screw, Self-tapping, 5/16-18, .750
6.	710-0653	Screw, Self-tapping, 1/4-20, 0.375
7.	710-1007	Screw, Self-tapping, 3/8-16, 1.500
8.	710-1325	Screw, Self-tapping, 1/4-20, 1.625
9.	710-3011	Hex Screw, 3/8-16, 2.25, Gr5
10.	912-0240	Nut, Jam, 7/16-20, Gr2
11.	912-0346	Nut, Jam Lock, 1/2-20, Gr5, Nylon
12.	712-04063	Nut, Flange Lock, 5/16-18, Nylon
13.	912-0431	Nut, Flange Lock, 3/8-16
14.	914-0111	Pin, Cotter, 3/32, 1.0
15.	725-0157	Cable, Tie, 3/16 x .05 x 7.4
16.	725-04791A	Jumper Harness, Ground & Reverse
17.	725-1644	Switch, Spring, Short
18.	926-0154	Tie, Cable, Push Mount 7.5
19.	926-0320	Plate, Insulator Nut
20.	731-05300A	Sleeve, .765 Id x 2.41
21.	731-06098	Fan, Hydro
22.	932-0209	Spring, Extension, .48 Od x 2.03
23.	732-04606	Spring, Extension, .500 Dia x 12.6
24.	732-04624	Spring, Extension, 1.00 Dia x 4.75
25.	732-0716D	Spring, Extension, .59 Od x 4.00
26.	732-0729	Ring, Wire
27.	732-3118	Spring, Extension, .375 Od x 1.44
28.	936-0264	Washer, Flat, .330 x .630 x .0635
29.	736-04263	Washer, Lock, Transmission Hydro
30.	936-3008	Washer, Flat, .344 x .750 x .120
31.	736-3010	Washer, Flat, .407x.812x.135, Ht
32.	736-0242	Washer, Bell, .340 x .872 x .060
33.	710-0627	Hex Screw, 5/16-24, .750, Gr5, Lock
34.	738-04420	Spacer, Shoulder, 1.375 x .380 x .183

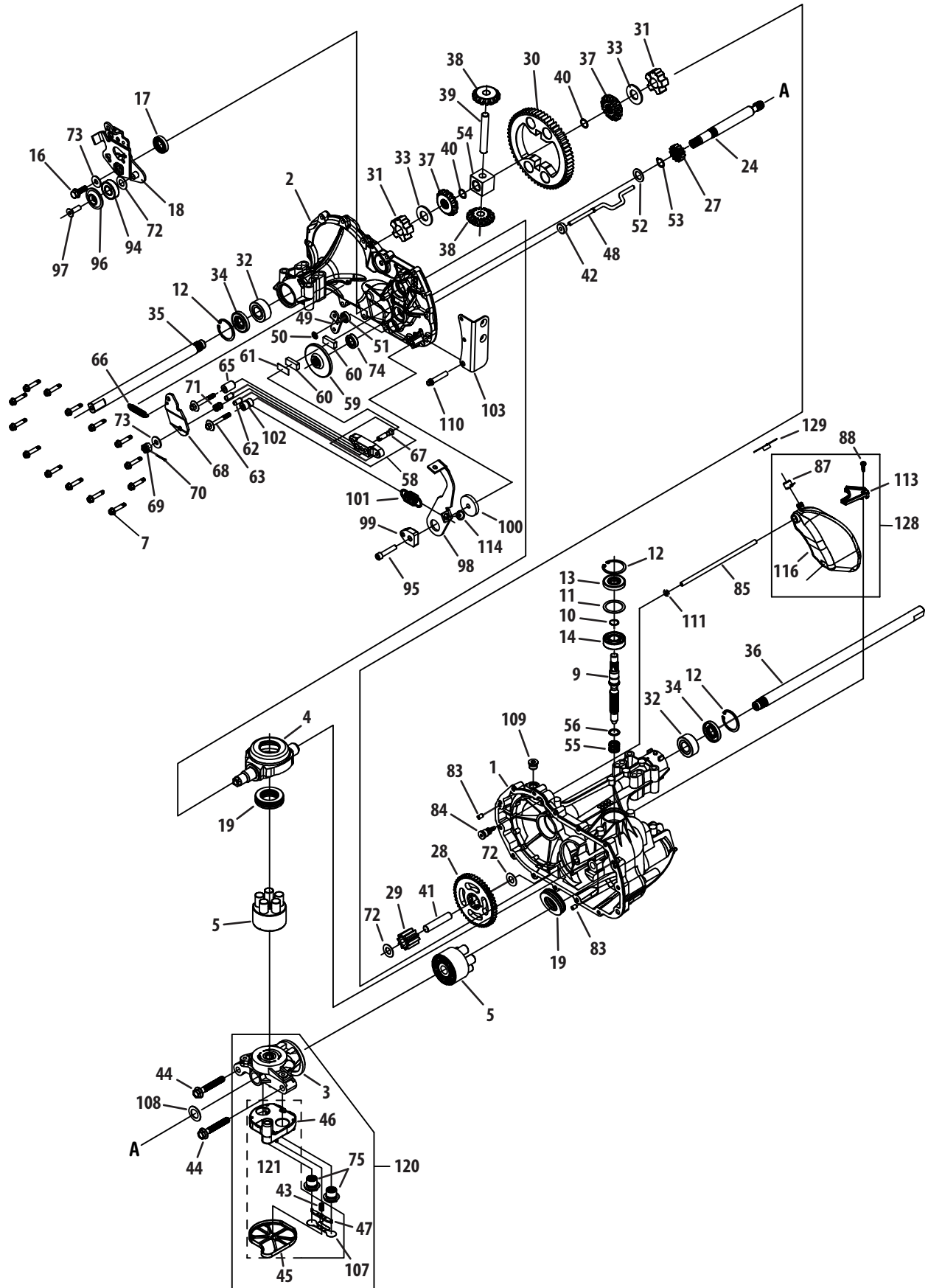
Ref.	Part Number	Description
35.	747-04139	Rod, Brake, LT Hydro
36.	747-04957A	Rod, Transmission, Bypass
37.	747-04979	Rod, Control, Hydro
38.	747-04991	Rod, Hydro Bypass
39.	750-04456	Spacer, .260 x .372 x 1.420
40.	954-04207	Belt, V-Type
41.	756-04224	Pulley, Idler, Flat 2.75 OD
42.	756-04308	Pulley, Input, 4.13 Dia
43.	756-04325	Pulley, Idler, V-Type x 3.06
44.	783-06027A	Bracket, Idler, Center Double
45.	783-06133	Bracket, Mount, Hydro
46.	783-06260	Bracket, Support, Belt Disengage
47.	783-1019B	Bracket, Actuator, Switch
48.	647-04152A	Control Assembly, Brake
49.	683-04537	Bracket Assembly, Pedal, Hydro
50.	710-0604A	Screw, Self-tapping, 5/16-18, 0.625,
51.	711-05068	Pin, Clevis, 5/16 x 3.985
52.	712-04065	Nut, Flange Lock, 3/8-16, Nylon
53.	714-04040	Pin, Cotter, Bow-Tie 72
54.	783-06059	Bracket, Pedal, Hydro
55.	726-0214	Cap, Push 5/8
56.	732-04587	Spring, Extension, .63 Dia x 4.95
57.	735-04136	Pad, Pedal, Brake
58.	736-0242	Washer, Bell, .340 x .872 x .060
59.	918-04228	Hub Assembly, Wheel
60.	938-0380	Bolt, Shoulder, .500 x .270, 3/8-16
61.	741-0495	Bearing, Flange, .630 x .695 x .60
62.	748-04203	Latch, Cruise
63.	783-05914	Bracket, Support, Pedal Strap
64.	783-05940	Bracket, Support, Pedal Strap 5/8
65.	783-06103A	Bracket, Pedal, Brake
66.	735-04135	Pad, Pedal, Reverse
67.	735-04118A	Pad, Pedal, Forward

54-inch Deck



Ref.	Part Number	Description	Ref.	Part Number	Description
1.	96606	Bracket, Hook, Retainer	39.	732-04652	Spring, Compr', .53 OD x 1.75
2.	918-04126B	Spindle Assembly, Pulley, 5.39 Dia.	40.	631-04070A	Chute Assembly
3.	683-0254B	Bracket Assembly, Deck, Hanger LH	41.	734-04155	Wheel, Deck, 5.0 Dia. Ball
4.	683-04182	Idler Assembly, Arm, 54"	42.	936-0119	Washer, Lock, 5/16, Regular Duty
5.	983-04510	Deck Assembly, 54"	43.	936-0179	Washer, Flat, .531 x 1.25 x .100
6.	703-2093	Baffle, Rear	44.	736-0225	Washer, Lock, 5/8, Int Tooth
7.	703-3279	Stop, Chute, Deflector	45.	936-0275	Washer, Flat, .344 X .688 X .065
8.	710-0347	Hex Screw, 3/8-16, 1.75, Gr5	46.	936-0300	Washer, Flat, .406 x .875 x .059
9.	710-04095	Hex Screw, 3/8-16, 1.00, Gr5, Spec	47.	936-0314	Wash, Thrust, .375x.70x.030
10.	710-04484	Screw, Self-tapping, 5/16-18, .750,	48.	736-0317	Washer, Bell, .63 x 1.25 x .18
11.	710-0528	Hex Screw, 5/16-18, 1.25, Gr5, Std	49.	936-0921	Washer, Lock, 1/2, Regular Duty
12.	710-0599	Screw, Self-tapping, 1/4-20, 0.500	50.	736-3010	Washer, Flat, .407x.812x.135
13.	710-0604A	Screw, Self-tapping, 5/16-18, 0.625	51.	737-04003D	Port, Water
14.	710-0623	Screw, Self-tapping, 3/8-16, 0.750	52.	738-1229A	Bolt, Shoulder, .625 x 2.50, 1/2-13
15.	710-0650	Screw, Self-tapping, 5/16-18, 0.875	53.	938-3056	Bolt, Shoulder, .496 x 2.50, 3/8-16
16.	710-0859	Hex Screw, 3/8-16, 2.50, Gr5, Std	54.	942-0677B	Blade, 18.50 Star 2 In 1
17.	710-3103	Hex Screw, 5/16-18, 2.00, Gr5, Std	55.	747-04530	Rod, Keeper
18.	710-3168	Bolt, Carriage, 3/8-16, 1.00, Gr5	56.	747-05067A	Deck Lift Rod, Front, 11.7
19.	710-3178	Bolt, Carriage, 3/8-16, 0.75, Gr1	57.	732-04372	Spring, Torsion, .44 I.D. x 2.0,
20.	711-05078	Rod, Support, Deck	58.	747-1116	Rod, Deck Release
21.	911-3314	Roller Pin-1/2 Dia. x 7.31	59.	954-0642	Belt, V-Type
22.	712-0229	Nut, Push, 3/8	60.	756-04129B	Pulley, Idler, 4.25"Dia.
23.	712-04063	Nut, Flange Lock, 5/16-18, Nylon	61.	783-05030	Bracket, Chute 50/54"
24.	712-04065	Nut, Flange Lock, 3/8-16, Nylon	62.	783-04013A	Bracket, Stabilizer, Pulley
25.	712-0417A	Nut, Flange, 5/8-18	63.	783-04690B	Skirt, Deck, 54"
26.	712-04243	Nut, 1/2-13	64.	783-04691	Cover, Belt, RH 54"
27.	912-0431	Nut, Flange Lock, 3/8-16, GrF	65.	783-04692	Cover, Belt, LH 54"
28.	912-0641	Nut, Hex, M16-1.5	66.	783-04726	Bracket, Idler, Stationary
29.	912-3010	Nut, Hex, 5/16-18, Gr5	67.	711-04565	Pin, Hinge, .3175 Dia. x 14.06 ,1
30.	712-3022	Nut, Hex Lock, 1/2-13, GrB	68.	736-0315	Washer, Flat, .760 X 1.50 X .120
31.	914-0111	Pin, Cotter, 3/32, 1.0	69.	756-04216	Pulley, Deck, 5.39 Dia.
32.	753-04070	Pin, Lynch, .1875	70.	937-3000	Lube Fitting, 3/16
33.	714-04043	Pin, Cotter, Bow-Tie	71.	738-1010A	Shaft, Spindle, 5.75 Lg.
34.	914-0470	Pin, Cotter, 1/8 x 1.25	72.	941-0919	Bearing, Ball, .787id x 1.85 Od x .551
35.	917-04074	Gear, Deck, Adjustment	73.	750-1000	Spacer, .80 x 1.10 x 1.322
36.	921-04041	Coupler, Water	74.	748-0160A	Spacer, .790 x 1.25 x .175
37.	731-05679	Roller, Front	75.	750-1349A	Spacer, .79 x 1.82 x .55lg.
38.	732-04247	Spring, Extension, .85 OD x 6.415			

Hydrostatic Transmission (Hydro-Gear 320-0610)

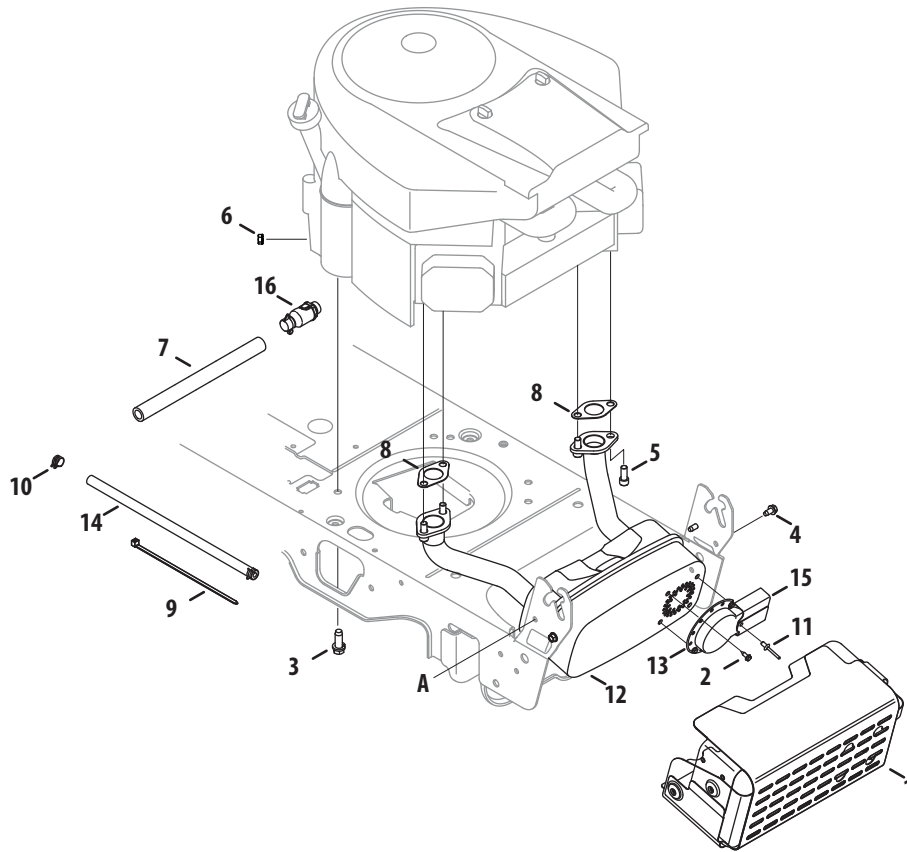


Hydrostatic Transmission (Hydro-Gear 320-0610)

Ref.	Part Number	Description	Ref.	Part Number	Description
1	HG-70467	Main Housing Assembly	40	HG-44871	Ring, Spiral Retaining
		Main Housing, Machined	41	HG-51083	Pin, Jackshaft
		Bushing ,865 x 985 x .790	42	HG-51100	Magnet, Ring
2	HG-70483	Main Housing Assembly	43	HG-51136	Spring, Bypass
		Main Housing, Machined	44	HG-50016	Hydro Mtg Screw 3/8-24 x 2.5
		Bushing ,865 x 985 x .790	45	HG-51581	Bottom, Filter
		Bushing 624 x 719 x .562	46	HG-51580	Base Filter W/ Poppet
3	HG-70477	Center Section Assembly	47	HG-51091	Actuator Bypass
		Center Section Machined	48	HG-51098	Rod Bypass Actuator
		Bushing. 707 x .788 x .591	49	HG-51135	Arm, Bypass
4	HG-51048	Swashplate, Trunnion Machined	50	HG-51116	Retaining Ring 0.250 External
5	HG-70331	Block - Assembly	51	HG-51081	Seal, Lip .741 x .250 x .250 Tc
		Block - Cylinder	52	HG-44371	Flat Washer 5/8 Id x 1.0 Od x .05
		Piston	53	HG-44145	Retaining Ring
		Spring, Compression	54	HG-51071	Bearing, Center Block
		Washer - Thrust	55	HG-2003014	Spring - Helical Compression
7	HG-51190	Hex Flange Screw 1/4-20 x-1,25	56	HG-2003017	Washer
9	HG-51062	Shaft, Input	58	HG-62589	Kit, Brake Yoke
10	HG-2000022	Ring - Retaining			Brake Yoke
11	HG-50951	Spacer			Sq. Hd, Bolt 5/16-24 Ribbed
12	HG-50329	Ring - Retaining	59	HG-51072	Rotor, Brake
13	HG-51161	Seal Lip .67 x 1.58 x .276	60	917-0678	Brake Puck
14	HG-50315	Ball Bearing 17mm Id x 40mm Od	61	917-0682	Puck Plate
16	HG-51064	Bolt. Flange 5/16-24 x .94 (Patch)	62	941-0343	Brake Actuating Pin
17	HG-51140	Lip Seal 18 x 32 x 7	63	HG-51146	Hex Screw 1/4-20 x 2 w/ Patch
18	HG-51119	Arm Control	65	HG-23711	Spacer
19	HG-50551	Bearing 30x52 x 13 Thrust	66	HG-51607	Kit, Spring
24	HG-50966	Shaft Motor	67	HG-44138	So. Hd, Bolt 5/16-24- Ribbed
27	HG-51767	Gear - Pinnion 12t	68	HG-44094	Arm, Brake
28	HG-51766	10t/49t Gear	69	912-0273	Slotted Hex Nut 5/16-24
29	HG-51043	Gear Jot Jackshaft	70	914-0507	Cotter Pin 3/32 x 3/4
30	HG-51044	60t Bull Gear	71	HG-50919	Comp. Spring Brake Anti-Drag
31	HG-51088	Sleeve Bearing .75 x 1.750 x .625	72	HG-50132	Washer, Ht .5 I. D. x 1 OD, x .032
32	HG-51089	Sleeve Bearing .75 x 1.575 x .625	73	736-0371	Flat Washer, 11/32 ID x 7/8 OD
33	HG-44875	Washer 3/4 Id x 1-1/2 Od x .13 Thk	74	HG-70719	Kit, Seal
34	HG-51066	Lip Seal Axle Seal			Oil, Seal 625 x Lo x .25
35	HG-51079	Shaft Axle .75 x 11.39 (Dd R. H.)			Ring, Ret-Star Washer
36	HG-51078	Shaft Axle .75 x 17.99 (Dd, L, H.)			Bulletin, Shaft Seal
37	HG-51769	Miter Gear (Splined)	75	HG-51084	Check Plug Assem, .027 Washer
38	HG-51768	Miter Gear 15t (0.5 Id)	83	HG-9004800-2506	Pin, Standard Headless
39	HG-50146	Shaft	84	HG-51143	Fitting, 5/16 Sae 5/32 Tube

Hydrostatic Transmission (Hydro-Gear 320-0610)

Ref.	Part Number	Description	Ref.	Part Number	Description
85	HG-51147	Hose, Expansion Tank	121	HG-70756	Filter Assembly
87	HG-51251	Cap., Vent			Bottom Filter
88	HG-50653	Bolt, Self Tapping 10-32 x 112			Base Filter w/ Poppet
94	HG-44147	Ball Bearing .62 Id x 1,38 x 44			Spring Bypass
95	HG-50837	Cap Screw, 5/16-24 x 1-112			Actuator Bypass
96	HG-51200	Spacer, Locating			Deflector
97	HG-50870	Screw, Sfhcs	128	HG-70503	Kit, Expansion Tank
98	HG-51120	Arm, Return			Tank, Expansion
99	HG-51097	Puck, Adjusting			Cap, Vent
100	HG-52493	Washer, .32 OD x 1.6 ID x .24			Bolt, Self Tapping 10-32 x 1/2
101	HG-51131	Spring, Extension			Bracket, Support Expansion Tank
102	HG-51123	Spacer, .56 x .26 x .87			Silicon-Sponge 112 x 1/2 x 3/16
103	HG-51223	Bracket, Torque	129	HG-51252	Cap, Expansion Tank Shipping
107	HG-51134	Deflector	—	HG-50928	Sealant
108	HG-51069	Washer, Motor Shaft .71 Id 1.15 Od	—	HG-70463	Seal, O-Ring Kit
109	HG-9005110-5600	Plug, SAE #6	—	—	20w-50 Oil (78.8 oz)
110	HG-50868	Torx Head Screw, 5/16-18			
111	HG-51144	O-Ring, .07 x .301 ID			
113	HG-51179	Bracket, Support Expansion Tank			
114	HG-51184	Spring Guide			
116	HG-51196	Silicon Sponge			
120	HG-71315	Center Section - Bypass Assm			
		Center Section Machined			
		Base Filter w/ Poppet			
		Check Plug Assembly			
		Spring Bypass			
		Actuator Bypass			
		Deflector			
		Bottom, Filter			
		Bushing, .707 x .788 x .591			



Ref.	Part Number	Description
1.	683-04549	Shield Ass'y, Muffler
2.	710-0227	Screw, Ab, #8-18, 0.500,
3.	710-04683	Screw, Self-tapping, 3/8-16, 1.000,
4.	710-0599	Screw, Self-tapping, 1/4-20, 0.500,
5.	710-1314A	Screw, Socket Head, 5/16-18, .750
6.	712-0271	Nut, Sems, 1/4-20
7.	751-3141-14	Hose, Extension, Oil Drain
8.	721-0460	Gasket, Exhaust
9.	725-0157	Cable, Tie, 3/16 x .05 x 7.4
10.	726-0205	Clamp, Hose, .490 Dia.
11.	728-04000	Rivet, Pop, .188 Dia x .300
12.	751-10542A	Muffler, Intek Twin
13.	751-0564B	Deflector, Muffler
14.	751-10349	Hose, Fuel, Low Permeation, 1/4
15.	751-10353	Deflector, Muffler, Long
16.	951-10517A	Drain, Oil

SLTX 1054VT Labels

777D14329



777D14330



777123293



777D12928



777S33233

⚠ DANGER
ROTATING BLADES CAUSE SERIOUS INJURY OR DEATH

- DO NOT MOW WHEN CHILDREN OR OTHERS ARE AROUND
- NEVER CARRY CHILDREN EVEN WITH BLADE(S) OFF.
- LOOK DOWN AND BEHIND BEFORE AND WHILE BACKING.
- MOWING IN REVERSE IS NOT RECOMMENDED.

TO START

- DISENGAGE BLADES/PTO, (POWER TAKE OFF)
- ENGAGE THE TRACTOR'S PARKING BRAKE.
- ACTIVATE THE CHOKE CONTROL.
- TURN KEY TO START ENGINE. AFTER START RELEASE KEY & DEACTIVATE CHOKE BY PLACING THROTTLE TO EASY "RABBIT" POSITION.

OPERATING MODES

NORMAL MOWING
 YOU MUST DISENGAGE BLADES/PTO, (POWER TAKE OFF) BEFORE TRAVELING IN REVERSE.

REVERSE CAUTION MODE

- TURN KEY TO REVERSE CAUTION MODE POSITION.
- DEPRESS REVERSE PUSH BUTTON, (RED INDICATOR LIGHT "ON") WHEN RED LIGHT IS "ON" MACHINE CAN BE OPERATED IN REVERSE WITH MOWER BLADES ENGAGED. IMPORTANT: MOWING IN REVERSE IS NOT RECOMMENDED.
- AFTER RESUMING FORWARD OPERATION, RETURN KEY TO "NORMAL MOWING" POSITION.

NOTE: IN BOTH MODES, WHEN OPERATOR LEAVES SEAT, ENGINE WILL STOP UNLESS PARKING BRAKE IS SET AND BLADES ARE DISENGAGED.

⚠ WARNING
TO AVOID SERIOUS INJURY OR DEATH

- GO UP AND DOWN SLOPES, NOT ACROSS.
- AVOID SUDDEN TURNS.
- DO NOT OPERATE THE UNIT WHERE IT COULD SLIP OR TIP.
- IF MACHINE STOPS GOING UPHILL, STOP BLADE(S) AND BACK DOWNHILL SLOWLY.
- KEEP SAFETY DEVICES (GUARDS, SHIELDS, AND SWITCHES, ETC.) IN PLACE AND WORKING.
- REMOVE OBJECTS THAT COULD BE THROWN BY THE BLADE(S).
- KNOW LOCATION AND FUNCTION OF ALL CONTROLS.
- BE SURE BLADE(S) AND ENGINE ARE STOPPED BEFORE PLACING HANDS OR FEET NEAR BLADE(S).
- BEFORE LEAVING OPERATOR'S POSITION, DISENGAGE BLADE(S), ENGAGE PARKING BRAKE, SHUT OFF AND REMOVE KEY.

READ OPERATOR'S MANUAL

LOWER DASH

PARKING BRAKE
 DEPRESS BRAKE PEDAL, PUSH PARKING BRAKE LEVER DOWN AND RELEASE PEDAL TO LOCK

CRUISE CONTROL
 DEPRESS SPEED CONTROL PEDAL TO DESIRED SPEED, PUSH CRUISE CONTROL LEVER DOWN AND RELEASE PEDAL, PRESS BRAKE OR SPEED CONTROL TO RELEASE

FOR A LIST OF Optional Attachments, Please Refer to Your Operator's Manual.

⚠ WARNING
 Operation Of This Equipment May Create Sparks That Can Start Fires Around Dry Vegetation. A Spark Arrestor May Be Required. The Operator Should Contact Local Fire Agencies For Laws or Regulations To Fire Prevention Requirements.

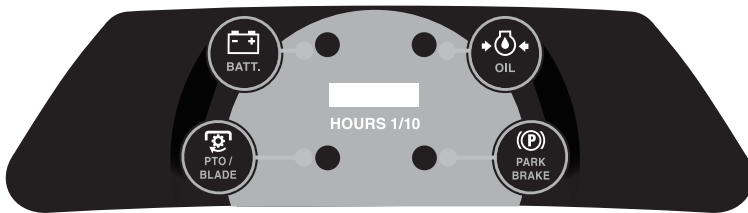
777D12929



777D13983



777123292



777123294



777122679



777D12864



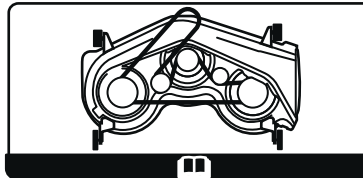
777S33183

⚠ DANGER
AVOID SERIOUS INJURY OR DEATH

- KEEP HANDS AND FEET AWAY FROM ROTATING PARTS.
- REMOVE OBJECTS THAT CAN BE THROWN BY THE BLADE IN ANY DIRECTION. WEAR SAFETY GLASSES.
- DO NOT MOW WHEN CHILDREN OR OTHERS ARE AROUND.
- NEVER CARRY CHILDREN EVEN WITH BLADES OFF.
- USE EXTRA CAUTION ON SLOPES. DO NOT MOW SLOPES GREATER THAN 15°. MOW ACROSS NOT UP AND DOWN. AVOID SUDDEN TURNS, USE LOW SPEED.

READ OPERATOR'S MANUAL. KEEP SAFETY DEVICES IN PLACE AND WORKING.

777122265



777S23132

TRANSMISSION RELEASE

ENGAGED → LIFT ROD UP TO ENGAGE TRANSMISSION.

RELEASED → LIFT ROD OUT AND DOWN TO RELEASE TRANSMISSION.

777123133



777S30503

⚠ DANGER
KEEP HANDS AND FEET AWAY. DO NOT OPERATE MOWER UNLESS CHUTE DEFLECTOR OR ENTIRE GRASS CATCHER IS IN ITS PROPER PLACE.

ASSEMBLE CHUTE DEFLECTOR TO THIS UNIT BEFORE OPERATING.

777X44333

MODEL SLTX 1054 VT REPLACEMENT PARTS

Use only Cub Cadet genuine factory parts

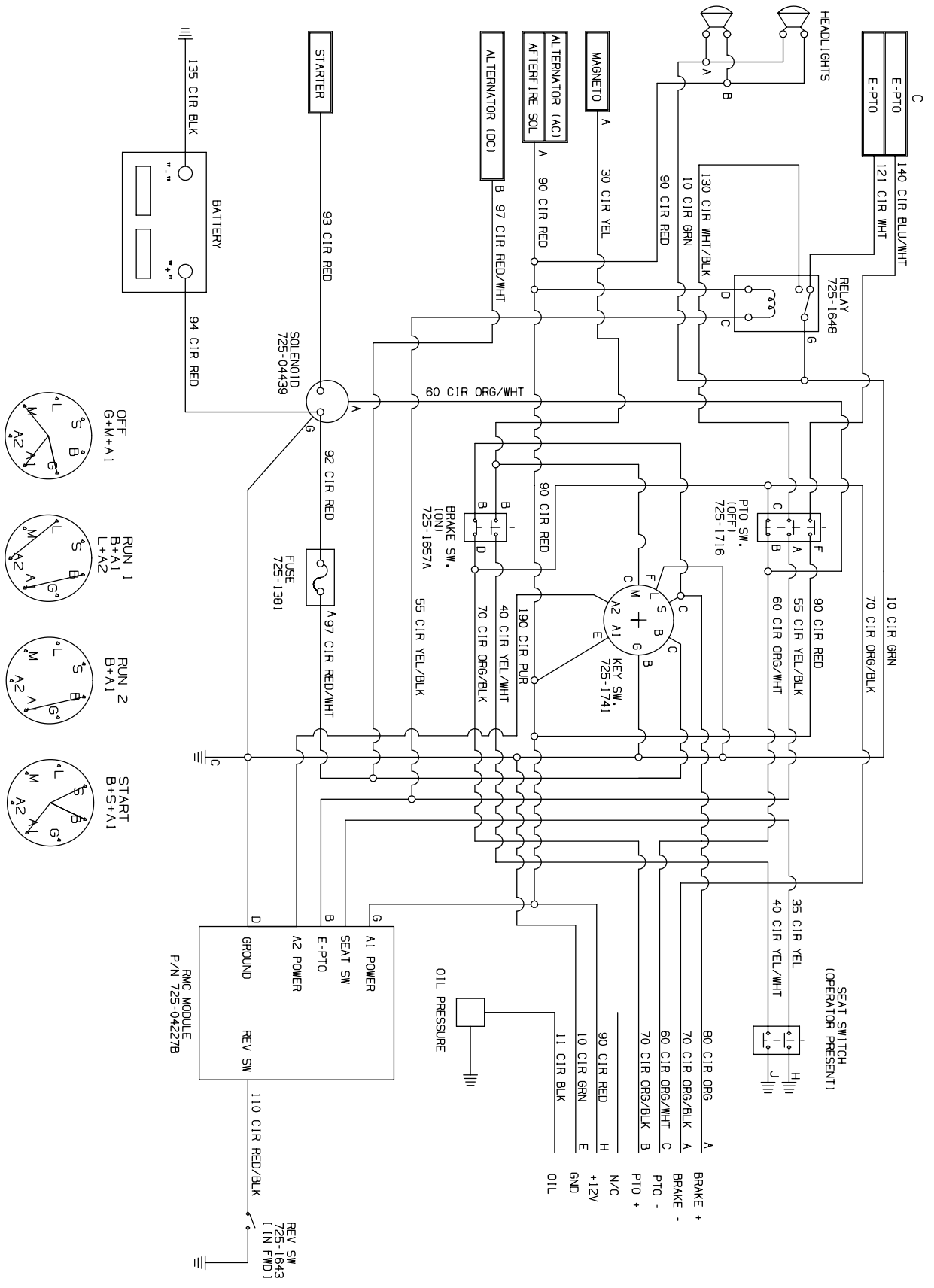
Blades	942-06778 (3)	Oil Filter	BS-696854
Lower Drive Belt	954-04207	Air Filter	BS-792105
Engine To Deck Belt	954-0642	Pre-Cleaner	BS-792303
Deck Spindles	918-04126B	Spark Plug	759-3336
Ignition Key	925-2054A	Fuel Filter	BS-691035
Solenoid	725-04439	Oil Capacity	63.0 oz

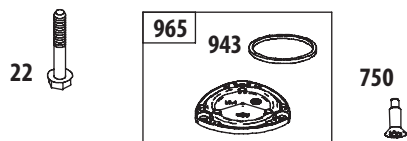
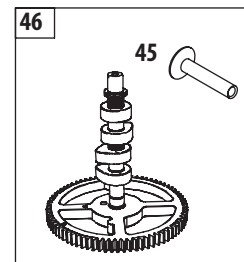
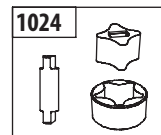
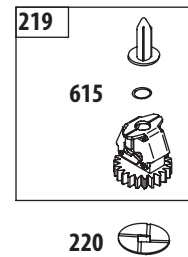
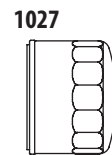
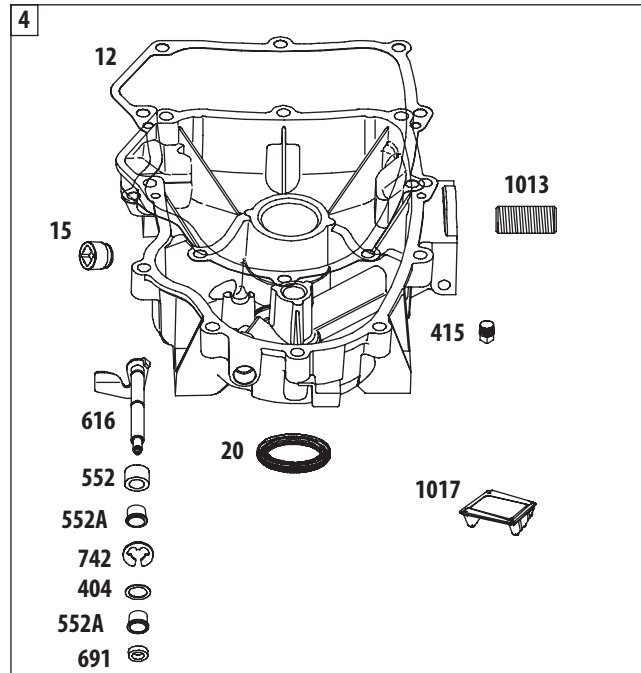
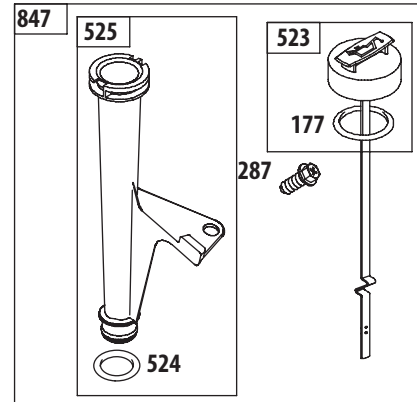
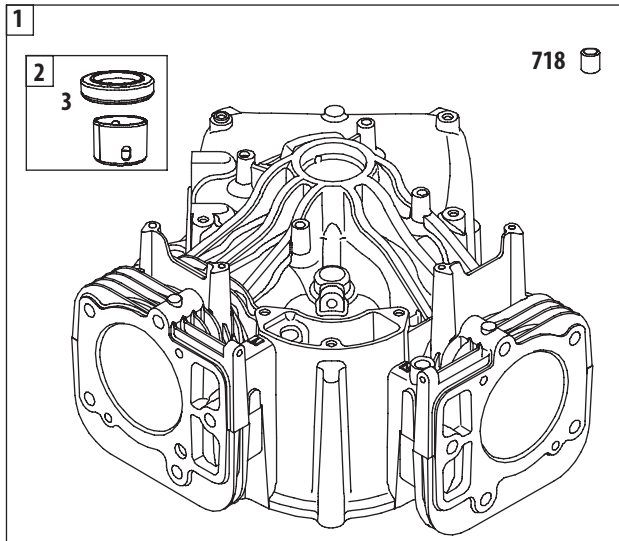
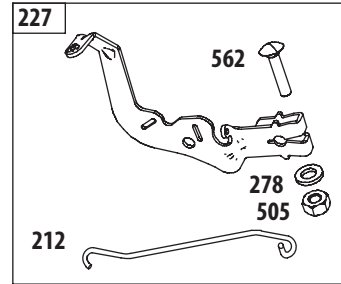
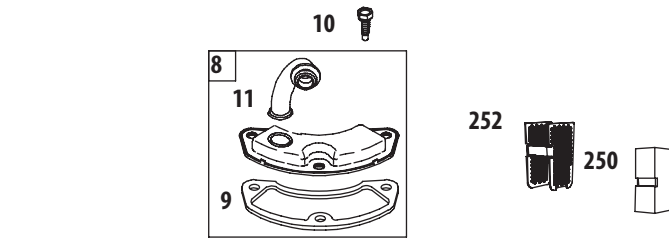
www.cubcadet.com

777D13924



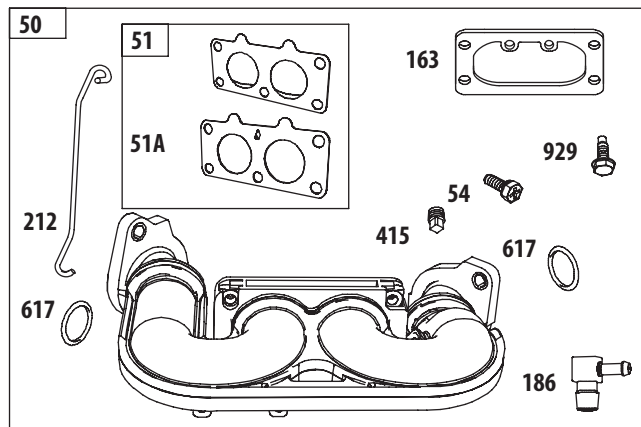
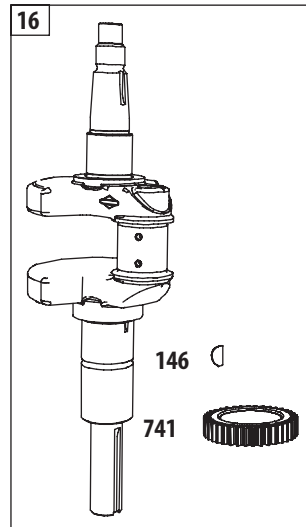
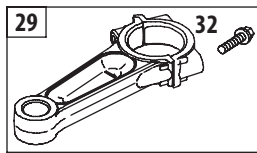
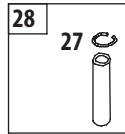
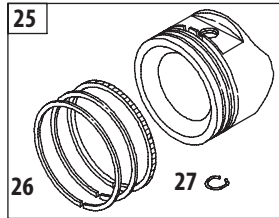
Electrical Schematic



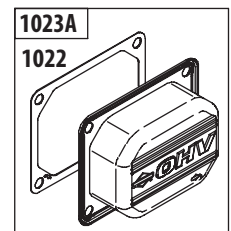
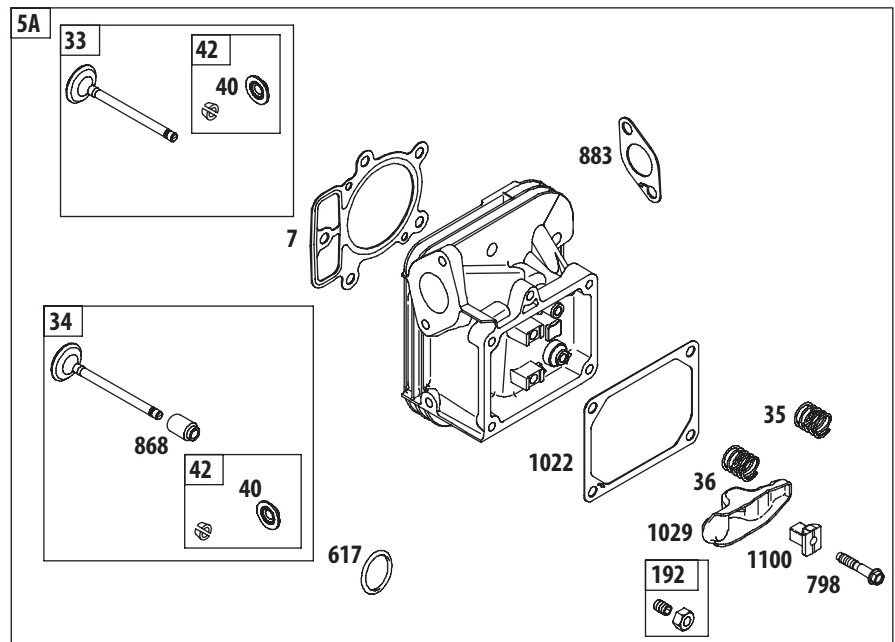
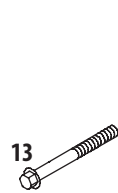
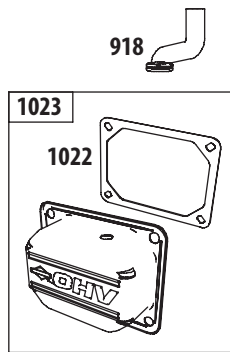
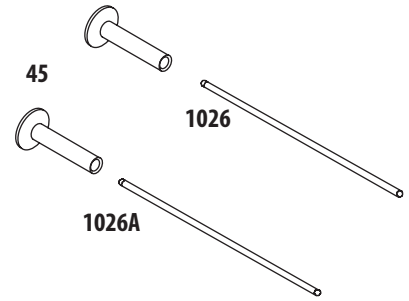
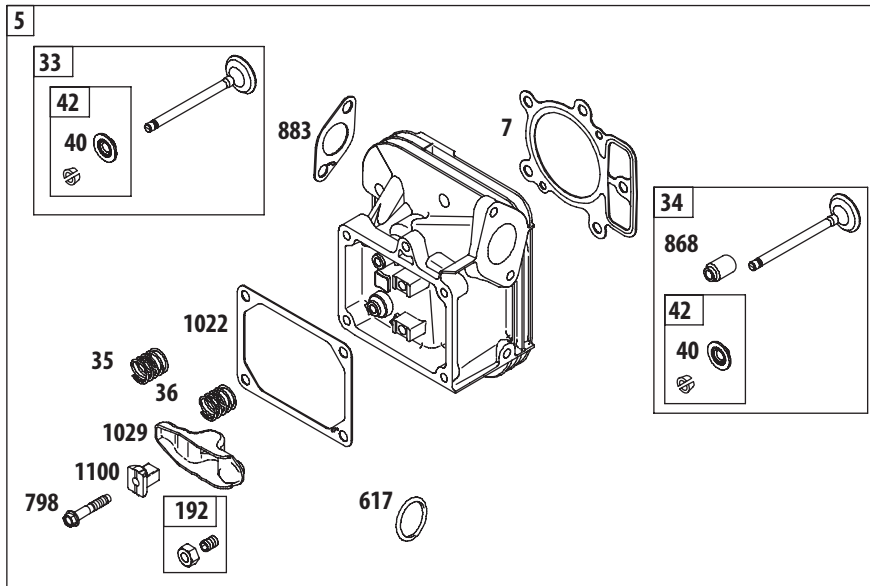


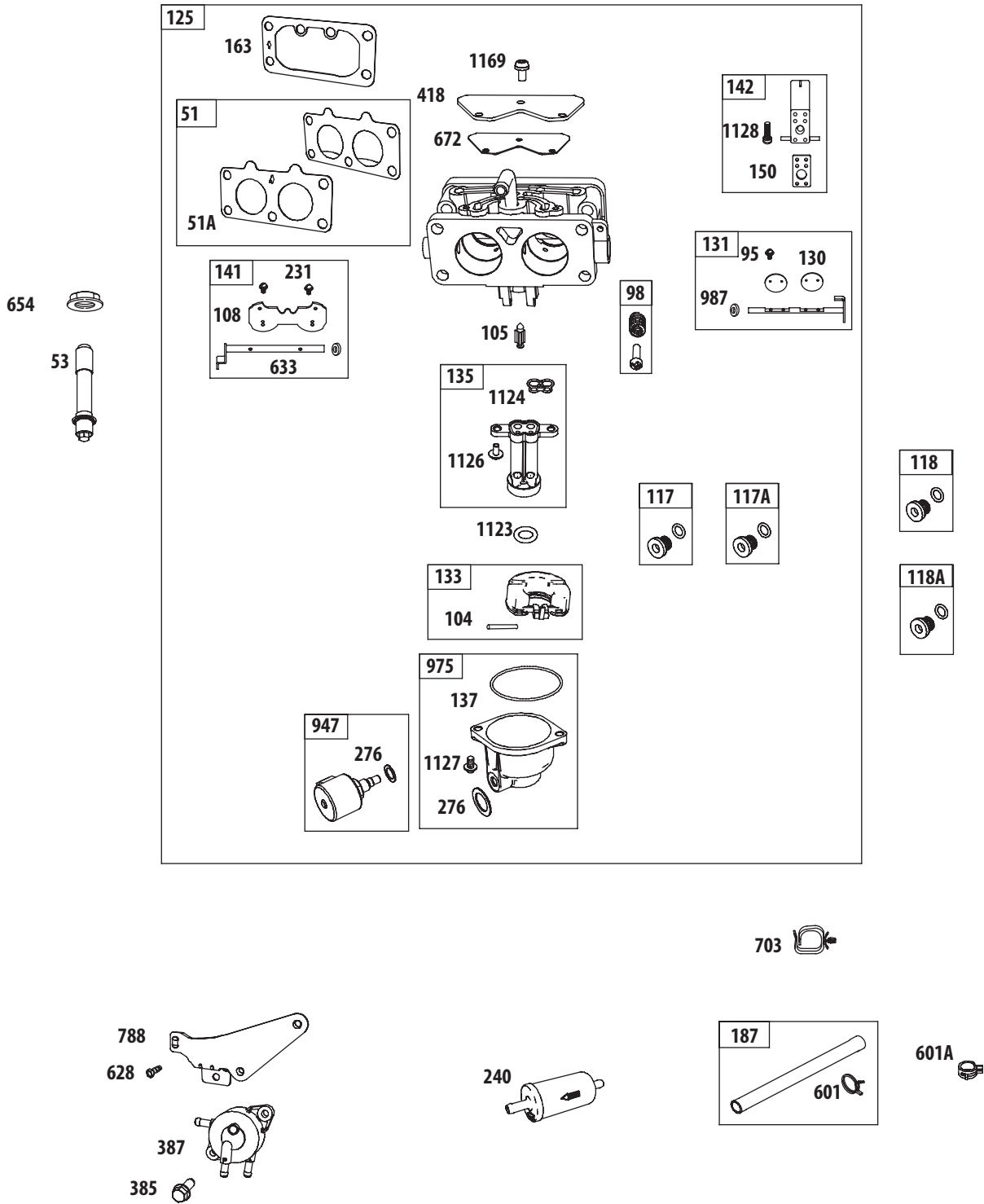
48 Short Block

1329 Replacement Engine

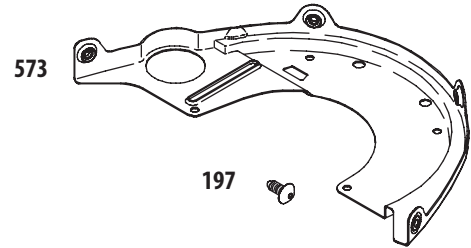
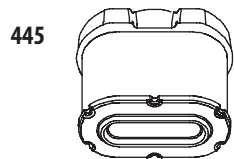
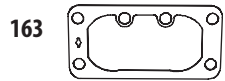
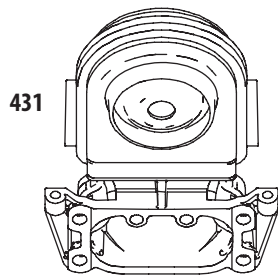
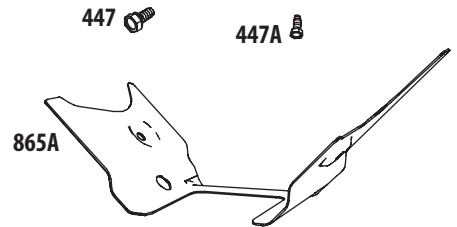
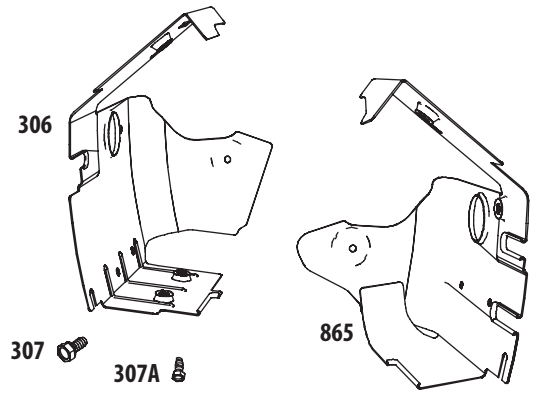
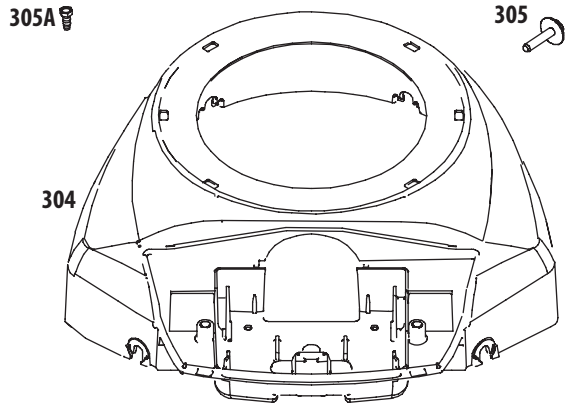
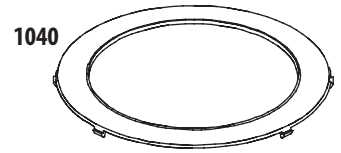
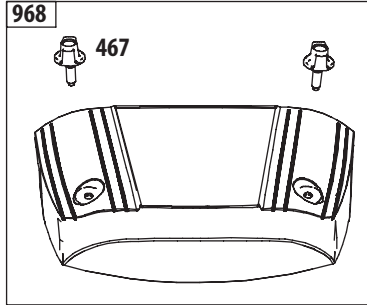


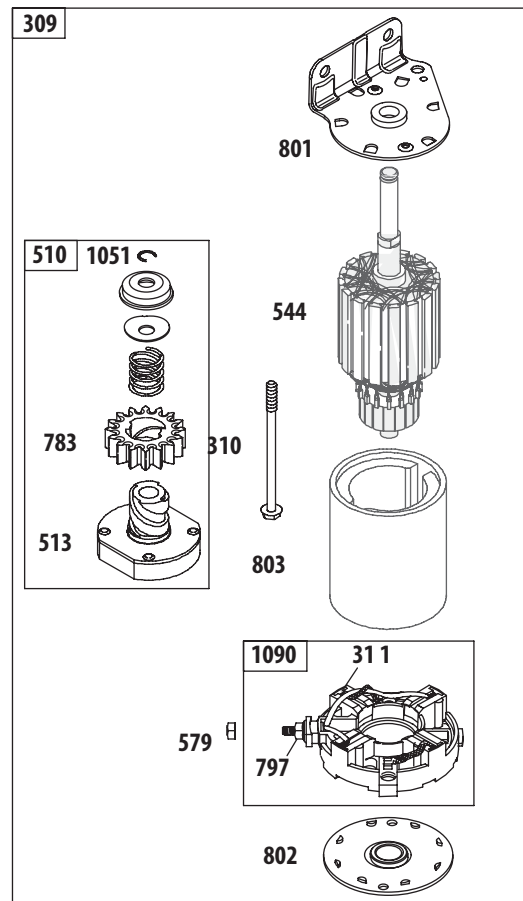
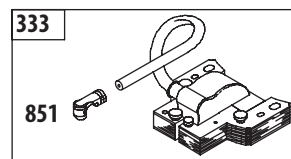
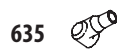
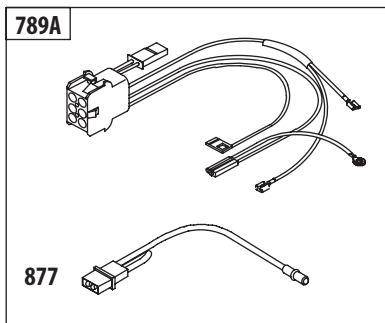
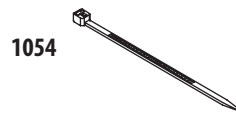
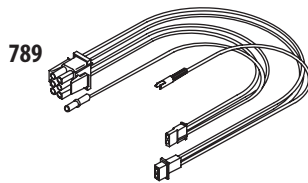
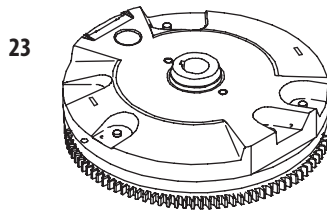
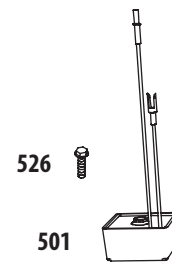
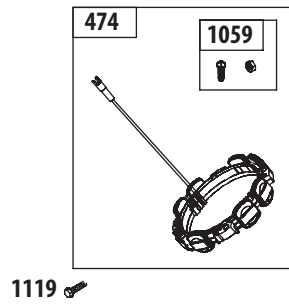
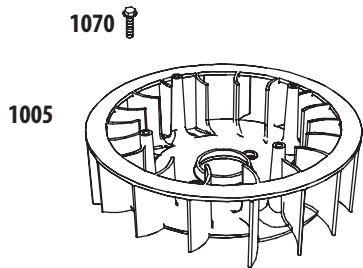
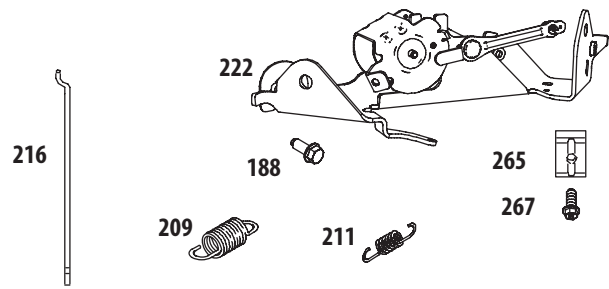
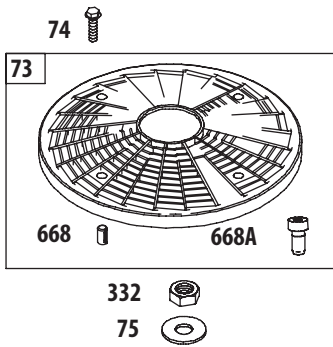
B&S 44P777

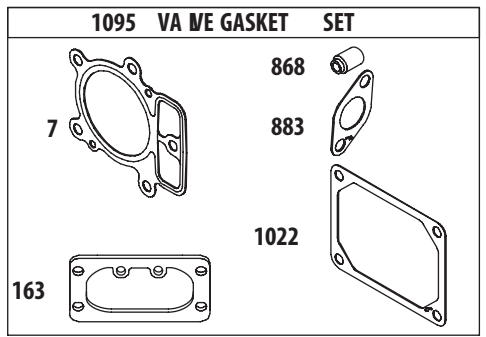
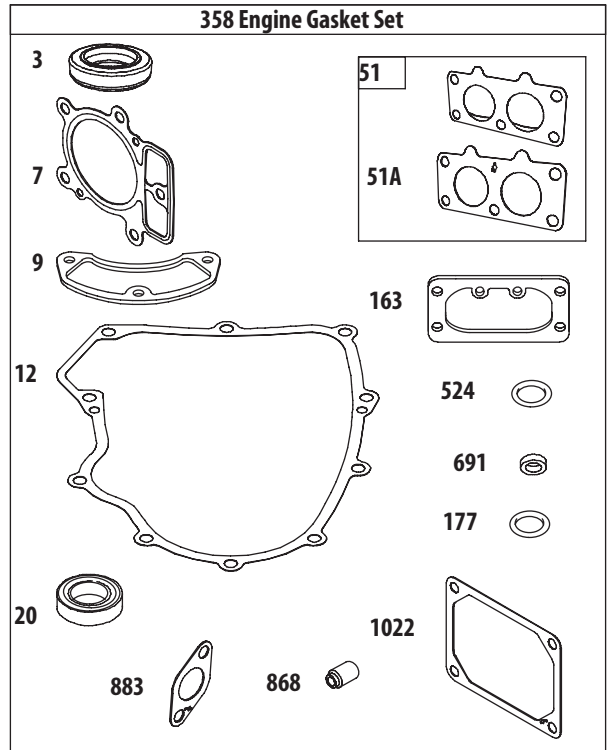
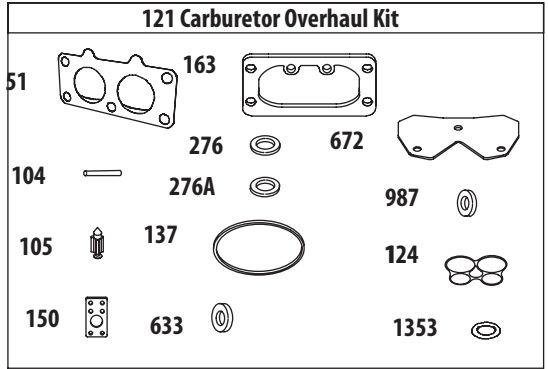




1036 Emissions Label







Ref.	Part Number	Description	Ref.	Part Number	Description
1	BS-793564	Cylinder Assembly	53	BS-690951	Stud (Carburetor)
2	BS-499585	Kit-Bushing/Seal (Magneto Side)	54	BS-699816	Screw (Intake Manifold)
3	• BS-391086s	Seal-Oil (Magneto Side)	73	BS-494439	Screen-Rotating
4	BS-796307	Sump-Engine	74	BS-698425	Screw (Rotating Screen)
5	BS-796270	Head-Cylinder (Cylinder #1)	75	BS-691056	Washer (Flywheel)
5A	BS-796271	Head-Cylinder (Cylinder #2)	95	BS-690718	Screw (Throttle Valve)
7	•◆ BS-693997	Gasket-Cylinder Head	98	BS-699721	Kit-Idle Speed
8	BS-792185	Breather Assembly	104	♣ BS-694918	Pin-Float Hinge
9	• BS-690937	Gasket-Breather	105	BS-698537	Valve-Float Needle
10	BS-697551	Screw (Breather Assembly)	108	BS-699723	Valve-Choke
11	BS-792184	Tube-Breather	117	BS-792296	Jet-Main (Standard) (Left Jet)
12	• BS-697227	Gasket-Crankcase	117A	BS-842627	Jet-Main (Standard) (Right Jet)
13	BS-793988	Screw (Cylinder Head)	118	BS-699457	Jet-Main (High Altitude) (Left Jet)
15	BS-690946	Plug-Oil Drain	118A	BS-699733	Jet-Main (High Altitude) (Right Jet)
16	BS-796540	Crankshaft	121	BS-792455	Kit-Carburetor Overhaul
20	• BS-795387	Seal-Oil (PTO Side)	125	BS-796227	Carburetor (Primer System)
22	BS-694966	Screw (Crankcase Cover/ Sump)	130	BS-690993	Valve-Throttle
23	BS-691053	Flywheel	131	BS-499805	Kit-Throttle Shaft
24	BS-222698s	Key-Flywheel	133	BS-699724	Float-Carburetor
25	BS-793560	Piston Assembly (Standard)	135	BS-699729	Tube-Fuel Transfer
25	BS-793563	Piston Assembly (.020" Over-size)	137	♣ BS-690994	Gasket-Float Bowl
26	BS-793561	Ring Set (Standard)	141	BS-796228	Kit-Choke Shaft
26	BS-792073	Ring Set (.020" Oversize)	142	BS-699726	Nozzle-Carburetor
27	BS-690975	Lock-Piston Pin	146	BS-690979	Key-Timing
28	BS-696581	Pin-Piston	150	BS-690995	Gasket-Nozzle
29	BS-796209	Rod-Connecting	163	♣ BS-691001	Gasket-Air Cleaner
32	BS-690976	Screw (Connecting Rod)	177	BS-691031	Seal-O Ring (Dipstick)
33	BS-793557	Valve-Exhaust	186	BS-795985	Connector-Hose (Intake Manifold)
34	BS-793556	Valve-Intake	187	751-10349-16	Line-Fuel
35	BS-694865	Spring-Valve (Intake)	188	BS-697551	Screw (Control Bracket)
36	BS-694865	Spring-Valve (Exhaust)	192	BS-690083	Adjuster-Rocker Arm
40	BS-690964	Retainer-Valve	197	BS-697820	Screw (Back Plate)
42	BS-499586	Keeper-Valve	209	BS-796224	Spring-Governor (Yellow/ Black)
45	BS-690977	Tappet-Valve	211	BS-796225	Spring-Governed Idle
46	BS-792555	Gear-Cam	212	BS-695238	Link-Throttle
48	BS-698172	Short Block	216	BS-796229	Link-Choke
50	BS-695241	Manifold-Intake	217	BS-695409	Spring-Choke Return
51	• BS-795123	Gasket-Intake	219	BS-793338	Gear-Governor
51A	BS-690950	Gasket-Intake			

B&S 44P777

Ref.	Part Number	Description	Ref.	Part Number	Description
220	BS-690412	Washer (Governor Gear)	505	BS-691029	Nut (Governor Control Lever)
221	BS-841026	Cup-Governor	510	BS-696541	Drive-Starter
222	BS-796226	Bracket-Control	513	BS-692024	Clutch-Drive
227	BS-796223	Lever-Governor Control	523	BS-691036	Dipstick
239	BS-792028	Switch-Oil Pressure	524	• BS-691032	Seal-Dipstick Tube
240	BS-691035	Filter-Fuel	525	BS-691037	Tube-Dipstick
250	BS-690957	Retainer-Breather	526	BS-691129	Screw (Regulator)
252	BS-794389	Collector-Oil			Armature-Starter (Service with Starter Motor 497595, Reference 309)
265	BS-691024	Clamp-Casing	544		
267	BS-695134	Screw (Casing Clamp)	552	BS-690552	Bushing-Governor Crank
276	♣ BS-695410	Washer-Sealing	552A	BS-690553	Bushing-Governor Crank
278	BS-792651	Washer (Governor Control Lever)	562	BS-690311	Screw (Governor Control Lever)
287	BS-691108	Screw (Dipstick Tube)	573	BS-790444	Plate-Back
304	BS-796678	Housing-Blower	579	BS-691029	Nut (Starter Cable)
305	BS-691005	Screw (Blower Housing)	601	BS-791850	Clamp-Hose (Green)
305A	BS-790690	Screw (Blower Housing to Intake Elbow)	601A	BS-691038	Clamp-Hose (Black)
306	BS-796541	Shield-Cylinder (Cylinder #2)	615	BS-698290	Retainer-Governor Shaft
307	BS-691003	Screw (Cylinder Shield) (Short)	616	BS-691045	Crank-Governor
307A	BS-697551	Screw (Cylinder Shield) (Long)	617	BS-697891	Seal-O Ring (Intake Manifold) (Red)
309	BS-497595	Motor-Starter	628	BS-697551	Screw (Fuel Pump Bracket)
310	BS-690323	Screw (Starter Motor)	633	♣ BS-699813	Seal-Choke/Throttle Shaft (Choke Shaft)
311	BS-497608	Brush Set	635	BS-66538s	Boot-Spark Plug
332	BS-691059	Nut (Flywheel)	654	BS-690958	Nut (Carburetor)
333	BS-691060	Armature-Magneto	668	• BS-691215	Spacer (Rotating Screen)
334	BS-691061	Screw (Magneto Armature)	668A	BS-691500	Spacer (Rotating Screen)
337	759-3336	Plug-Spark	672	BS-690234	Gasket-Carburetor Plate
358	BS-694012	Gasket Set-Engine	691	• BS-790574	Seal-Governor Shaft
385	BS-697551	Screw (Fuel Pump)	697	BS-791680	Screw (Drive Cap)
387	BS-808656	Pump-Fuel	703	BS-691010	Clip
404	BS-690442	Washer (Governor Crank)	718	BS-690959	Pin-Locating
415	BS-690283	Plug (Oil Pressure Switch Hole)	729	BS-694123	Clip-Wire
418	BS-795912	Plate-Carburetor	741	BS-690980	Gear-Timing
431	BS-792297	Elbow-Intake	742	BS-690328	Retainer-E Ring (Governor Crank)
445	BS-792105	Filter-Air Cleaner Cartridge	750	BS-796208	Screw (Oil Pump Cover)
447	BS-691003	Screw (Air Guide Cover) (Short)	783	BS-695708	Gear-Pinion
447A	BS-697551	Screw (Air Guide Cover) (Long)	788	BS-793145	Bracket-Fuel Pump
467	BS-790697	Knob-Air Cleaner	789	BS-696576	Harness-Wiring
474	BS-696457	Alternator	789A	BS-693330	Harness-Wiring
501	BS-794360	Regulator			

Ref.	Part Number	Description	Ref.	Part Number	Description
797	BS-693167	Nut (Brush Retainer)	1023A	BS-499600	Cover-Rocker (Cylinder #2)
798	BS-697890	Screw (Rocker Arm)	1024	BS-796220	Pump-Oil
801	BS-691283	Cap-Drive	1026	BS-690981	Rod-Push (Steel)
802	BS-691286	Cap-End	1026A	BS-690982	Rod-Push (Aluminum)
803		Housing-Starter (Service with Starter Motor 497595, Reference 309)	1027	BS-696854	Filter-Oil
847	BS-499602	Dipstick/Tube Assembly	1029	BS-690972	Arm-Rocker
851	BS-493880s	Terminal-Spark Plug	1036		Label-Emissions (Available from a Briggs & Stratton Authorized Dealer)
865	BS-691012	Cover-Air Guide (Cylinder #1)	1040	BS-791237	Plate-Trim
865A	BS-792286	Cover-Air Guide (Valley)	1051	BS-691265	Ring-Retaining (Starter Drive)
868	• BS-690968	Seal-Valve	1054	BS-280275	Tie-Cable
877	BS-790544	Wire/Connector-Alternator	1059	BS-698516	Kit-Screw/Washer (Alternator)
883	•♦ BS-690970	Gasket-Exhaust	1070	BS-791680	Screw (Flywheel Fan)
914	BS-691127	Screw (Rocker Cover)	1090	BS-691293	Retainer-Brush
918	BS-793147	Hose-Vacuum	1095	BS-694013	Gasket Set-Valve
943	BS-796222	Seal-O Ring (Oil Pump Cover)	1100	BS-791959	Pivot-Rocker Arm
947	BS-841546	Solenoid-Fuel	1119	BS-93621	Screw (Alternator)
965	BS-796221	Cover-Oil Pump	1123	BS-841653	Seal-O Ring (Solenoid Retainer)
968	BS-795120	Cover-Air Cleaner	1124	BS-841653	Seal-O Ring (Fuel Transfer Tube)
975	BS-793592	Bowl-Float	1126	BS-690991	Screw (Fuel Transfer Tube)
987	BS-691000	Seal-Throttle Shaft	1127	BS-695407	Screw (Fuel Bowl)
1005	BS-791236	Fan-Flywheel	1128	BS-690990	Screw (Carburetor Nozzle)
1013	BS-690954	Nipple-Oil Filter	1169	BS-690990	Screw (Carburetor Cover Plate)
1017	BS-690770	Screen-Oil Pump	1329	BS-44Q777-0037	Replacement Engine
1022	BS-690971	Gasket-Rocker Cover			
1023	BS-793146	Cover-Rocker (Cylinder #1)			

- Engine Gasket Set Ref. 358
- ♦ Valve Gasket Set Ref. 1095
- ♣ Carburetor Overhaul Kit Ref. 121

B&S 44P777

B&S 44P777



To order replacement parts, call a Customer Support Representative at (800) 965-4CUB.
Locate your nearest Cub Cadet dealer at (877) 282-8684
or visit www.cubcadet.com to find the nearest Cub Cadet dealer in your area.

CUB CADET LLC, P.O. BOX 361131 CLEVELAND, OHIO 44136-0019
