

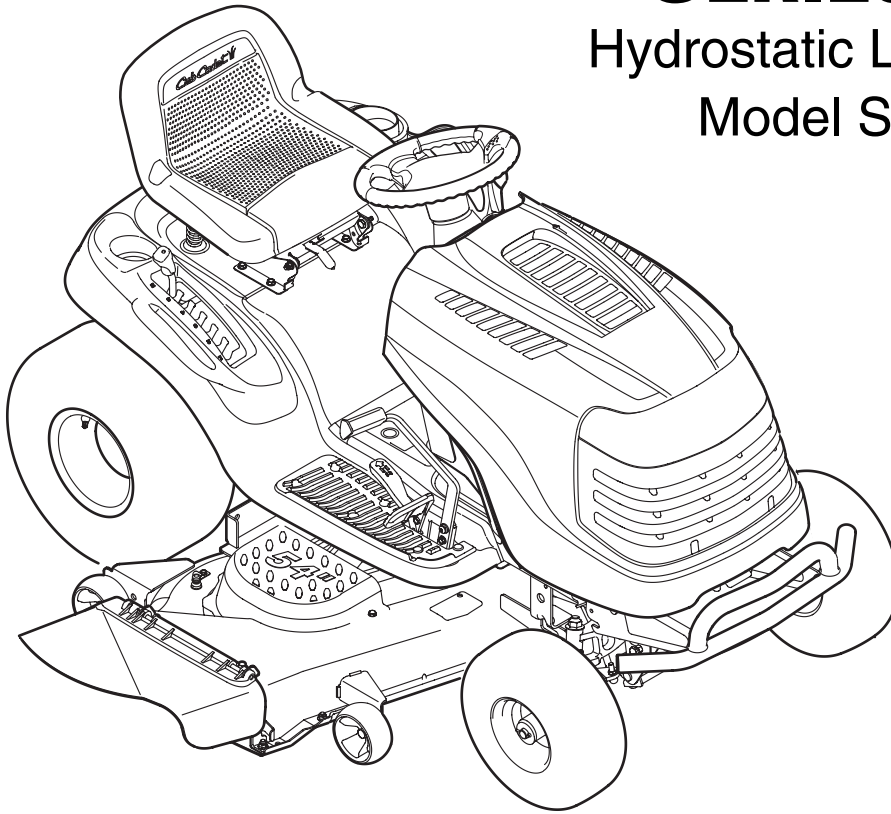
Cub Cadet

Parts Manual

SERIES 1500

Hydrostatic Lawn Tractor

Model SLT1554



CUB CADET LLC, P.O. BOX 361131 CLEVELAND, OHIO 44136-0019

PRINTED IN U.S.A.

FORM NO. 769-01652A
(2/05)

SERIES 1500 HYDROSTATIC LAWN TRACTORS

TABLE OF CONTENTS

DESCRIPTION	PAGE	DESCRIPTION	PAGE
Axle, Front	6	Fender	10
Battery	16	Frame	8
Brake Pedal	12	Fuel Tank	10
Deck, 54-inch.....	22	Head Lamp	18
Dash Panel	16	Hood	18
Drive System	4	Lift Linkage	11
Electrical System	20	Muffler	15
Engine Accessories	15	PTO	19
Engine		Seat	14
Crankcase; Crankshaft; Pistons	26	Steering	6
Head; Valves; Breather	28	Transmission, Hydrostatic	24
Oil Pan; Lubrication	30	Wheels, Front & Rear	3
Ignition; Electrical	31		
Blower Housing	32		
Starter	33		
Carburetor; Fuel System	34		
Air Intake; Filtration	35		
Engine Controls	36		

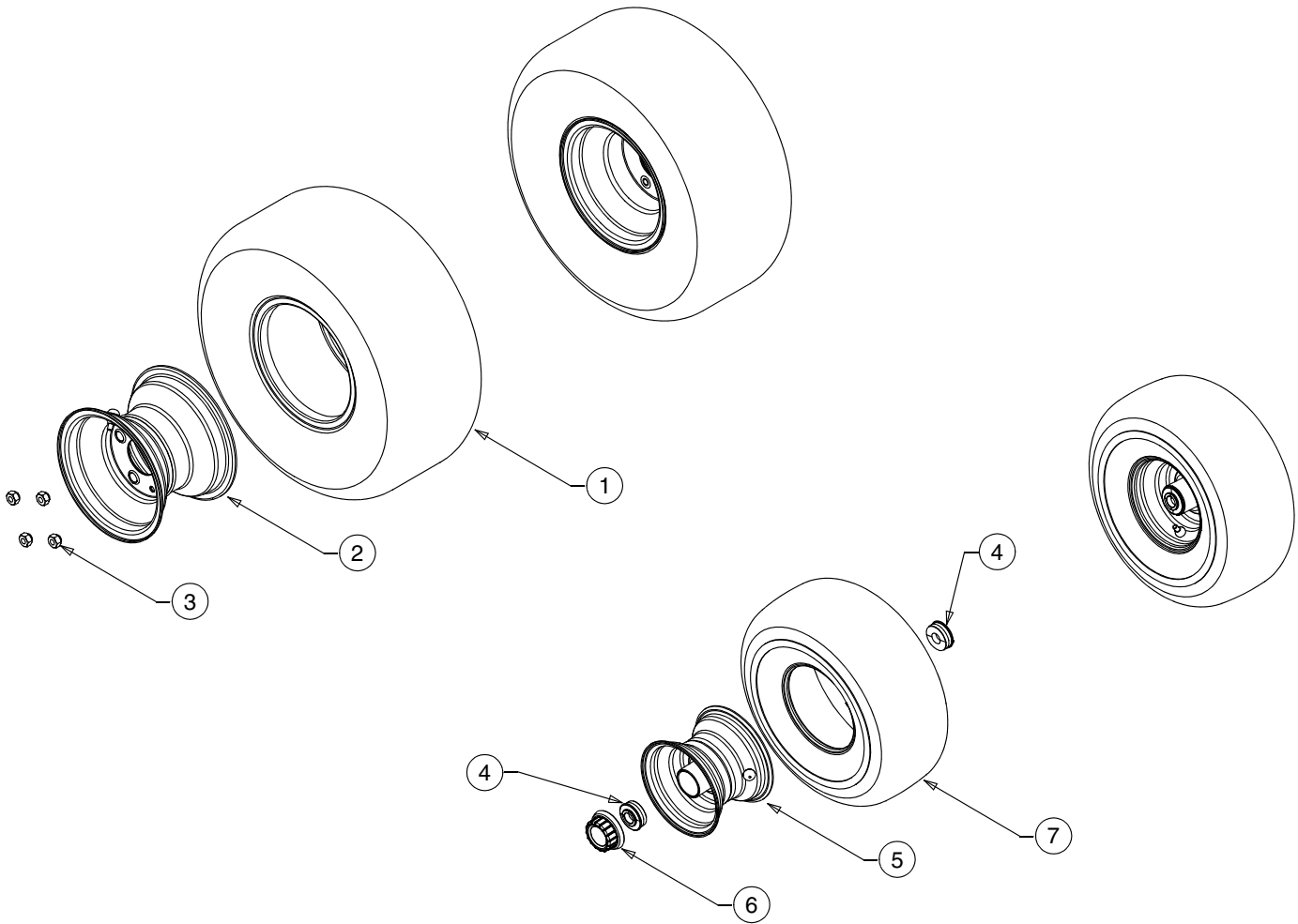
NOTE, For **painted parts**, please refer to the list of color codes below. Please add the applicable color code, wherever needed, to the part number to order a replacement part. For instance, if a part, numbered 700-xxxx, is painted Cub Yellow, the part number to order would be 700-xxxx-0716.

Cub Yellow: 0716

Cub Beige: 0499

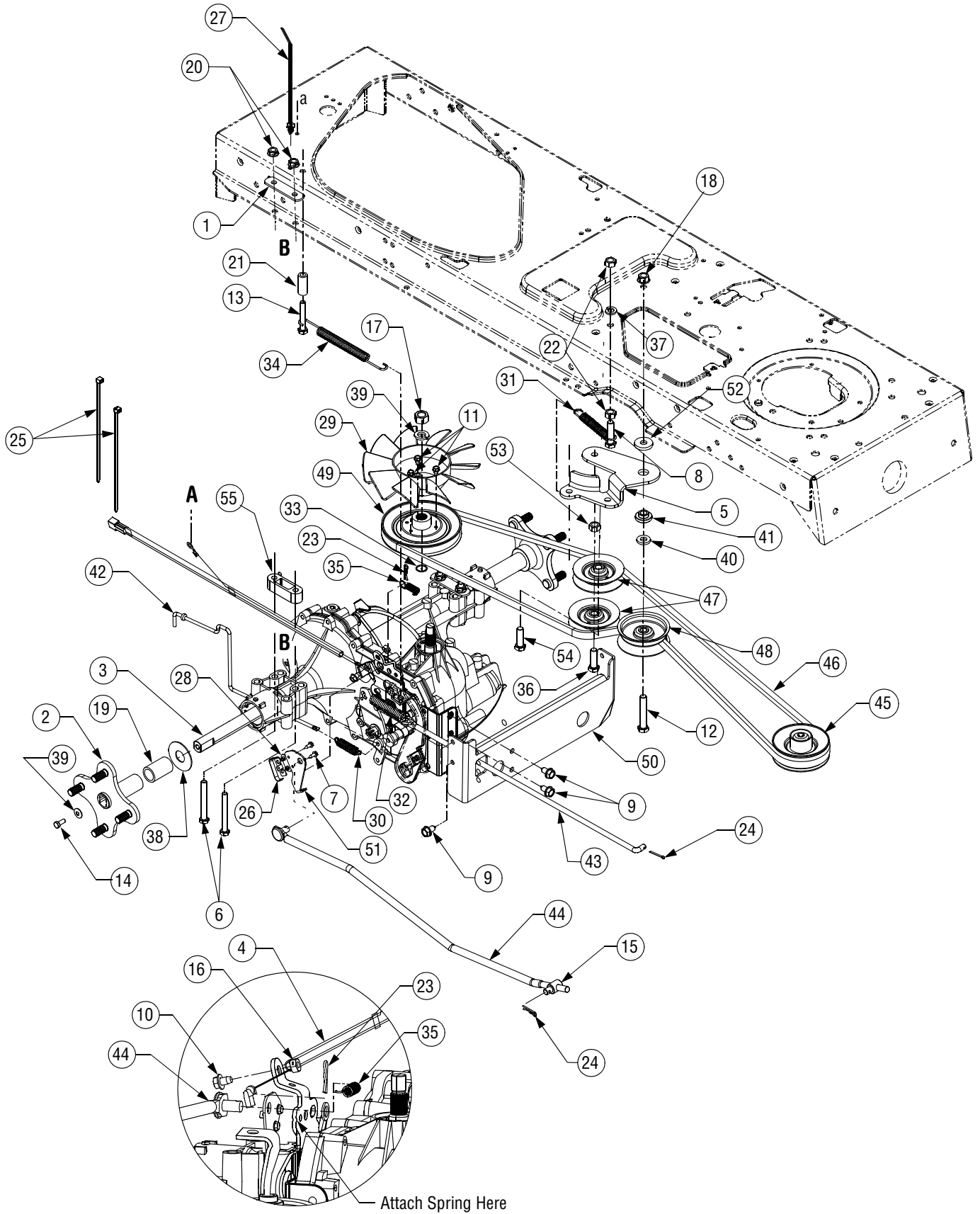
Powder Black: 0637

WHEELS



REF. NO.	PART NUMBER	DESCRIPTION	QTY.
1	734-04174	Tire, Turf, <i>Cub Cadet</i> 22 x 9.5 x 12	2
2	634-3178	Rim Assembly, 12 x 7 (4-Lug)	2
3	712-3050	Lug Nut, 7/16-14	8
4	741-3032	Bearing, Ball, .75 ID x 1.75 OD	4
5	634-04104A	Rim Assembly, 6 x 4.5 (Included, Bearings, Spacer and Valve)	2
6	731-3020	Hub Cap	2
7	734-04140	Tire, Turf, <i>Cub Cadet</i> 15 x 6 x 6	2
—	737-0224	Grease Fitting	2
—	734-0255	Valve, Tubeless Air	4

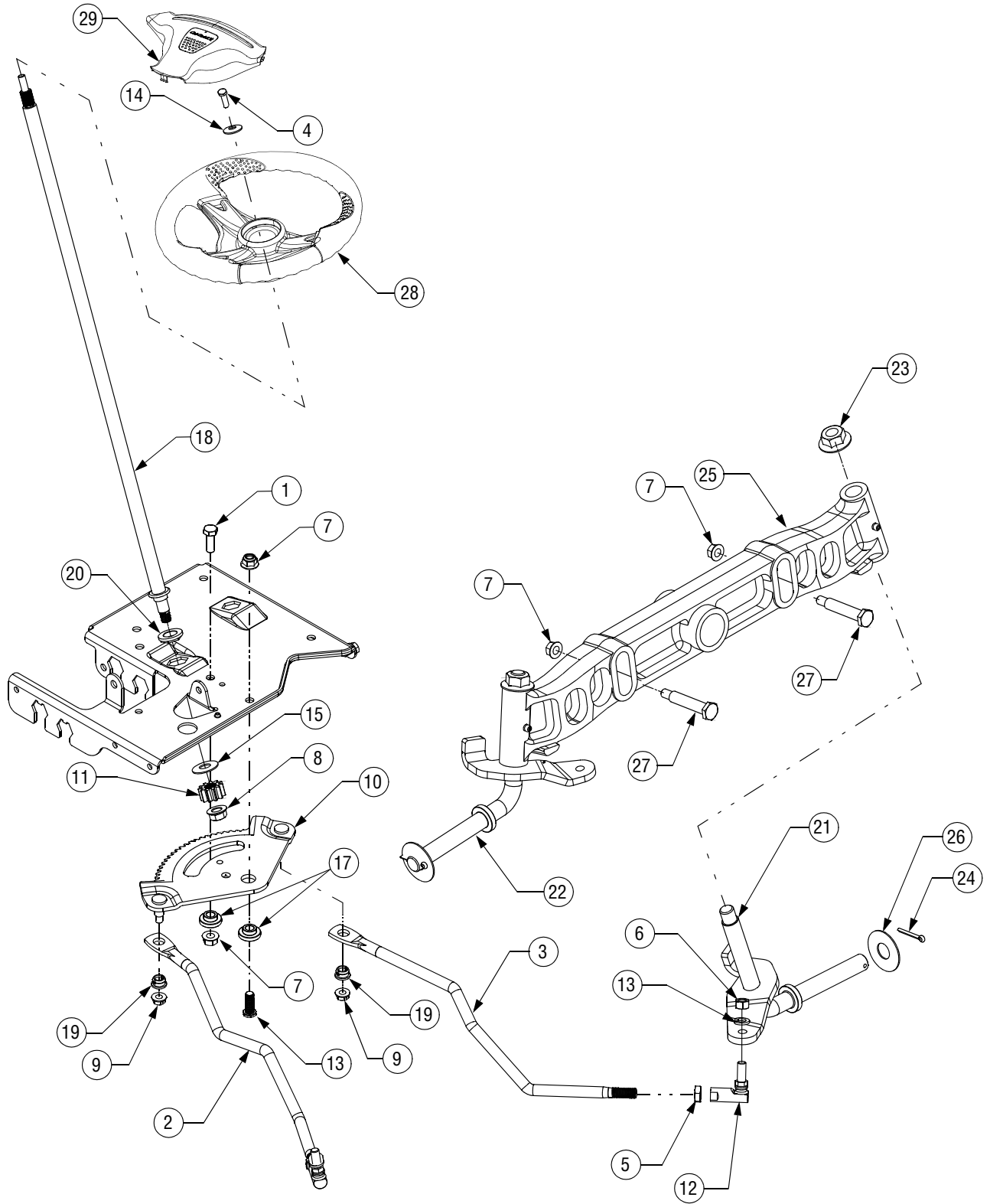
DRIVE SYSTEM



DRIVE SYSTEM

REF. NO.	PART NUMBER	DESCRIPTION	QTY.
1	17840	Bracket, Mounting, Transaxle	2
2	618-04228	Hub Assembly, Wheel	2
3	618-04270	Transmission, Hydrostatic	1
4	629-04124	Harness Assembly, Ground & Reverse	1
5	783-04442	Bracket Assembly, Idler, Center Dbl	1
6	710-1266	Hex Cap Screw, 5/16-18,3.5, Gr5	4
7	710-0227	Screw, #8-18, 0.500	2
8	710-0344	Hex Cap Screw, 3/8-16, 1.50, Gr5	1
9	710-0726	Screw, 5/16-12, 0.75	4
10	710-0599	Screw, 1/4-20, 0.5	1
11	710-3007	Screw, #12-24, 0.375	3
12	710-3011	Hex Cap Screw, 3/8-16, 2.25, Gr5	1
13	710-0809	Hex Cap Screw, 5/16-18, 1.25, Gr5	1
14	710-0627	Hex Cap Screw, 5/16-24 x.750	2
15	711-0832	Ferrule, 3/8-24 x.375 Dia	1
16	712-0291	Nut, Hex Lock, 1/4-20	1
17	712-0239	Nut, Hex Lock, 1/2-20, Gr2	1
18	712-04065	Nut, Nylon Lock, 3/8-16	1
19	731-05130	Sleeve, 2.4"	2
20	712-04063	Nut, Flange Lock, 5/16-18, Gr5	4
21	750-0566A	Spacer, 1"	1
22	712-3017	Nut, Hex, 3/8-16, Gr8	2
23	714-0104	Pin, Cotter,.072 Dia. x 1.13 Lg	1
24	714-0111	Pin, Cotter, 3/32, 1.0	2
25	725-0157	Cable, Tie, 3/16 x.05 x 7.4	2
26	725-1644	Switch, Spring, Short	1
27	726-0154	Tie, Cable, Push Mount 7.5 Lg	1
28	726-0320	Plate, Insulator Nut	1
29	731-1449A	Fan, Blade, 10"	1
30	732-0209	Spring,.48 OD x 2.03 Extension	1
31	732-0429A	Spring, Extension,.50 Dia x 3.97 Lg	1
32	732-0716	Spring, Extension,.59 OD x 4.00 Lg	1
33	732-0729	Ring, Wire	1
34	732-0994	Spring, Extension,.500 Dia x 7.0	1
35	732-3118	Spring, Extension, 3/8 OD x 1.44	1
36	710-0502A	Screw, 3/8-16, 1.25	1
37	736-0169	Washer, Lock, 3/8, Regular Duty	1
38	736-0866	Washer, Flat,.755 x 1.92 x.060	2
39	736-0242	Belle Washer	2
40	736-3010	Washer, Flat,.407 x.812 x.135	1
41	738-0372B	Spacer, Shoulder, 1.00 x.38 x.38	1
42	747-1149	Rod, Hydro Bypass	1
43	747-04139	Rod, Brake, Hydro	1
44	747-1151	Rod, Control, Hydro	1
45	756-0978A	Pulley, Engine, 3.56 Dia.	1
46	754-0461	Belt, V Type, Poly	1
47	756-0116A	Pulley, Idler, V Type x 3.06 Dia	2
48	756-0981B	Pulley, Idler, Flat 2.75 OD	1
49	756-04111	Pulley, Engine, 4.11Dia.	1
50	783-0810B	Bracket, Transmission, Torque Hydro	1
51	783-1019	Bracket, Actuator, Switch	1
52	736-0320	Washer, Flat,.38 x 1.92 x.060	1
53	750-0535	Spacer,.380 ID x.625 OD x.21	1
54	710-1007	Screw, 3/8-16 x 1.500	1
55	748-0334	Transaxle Spacer	2

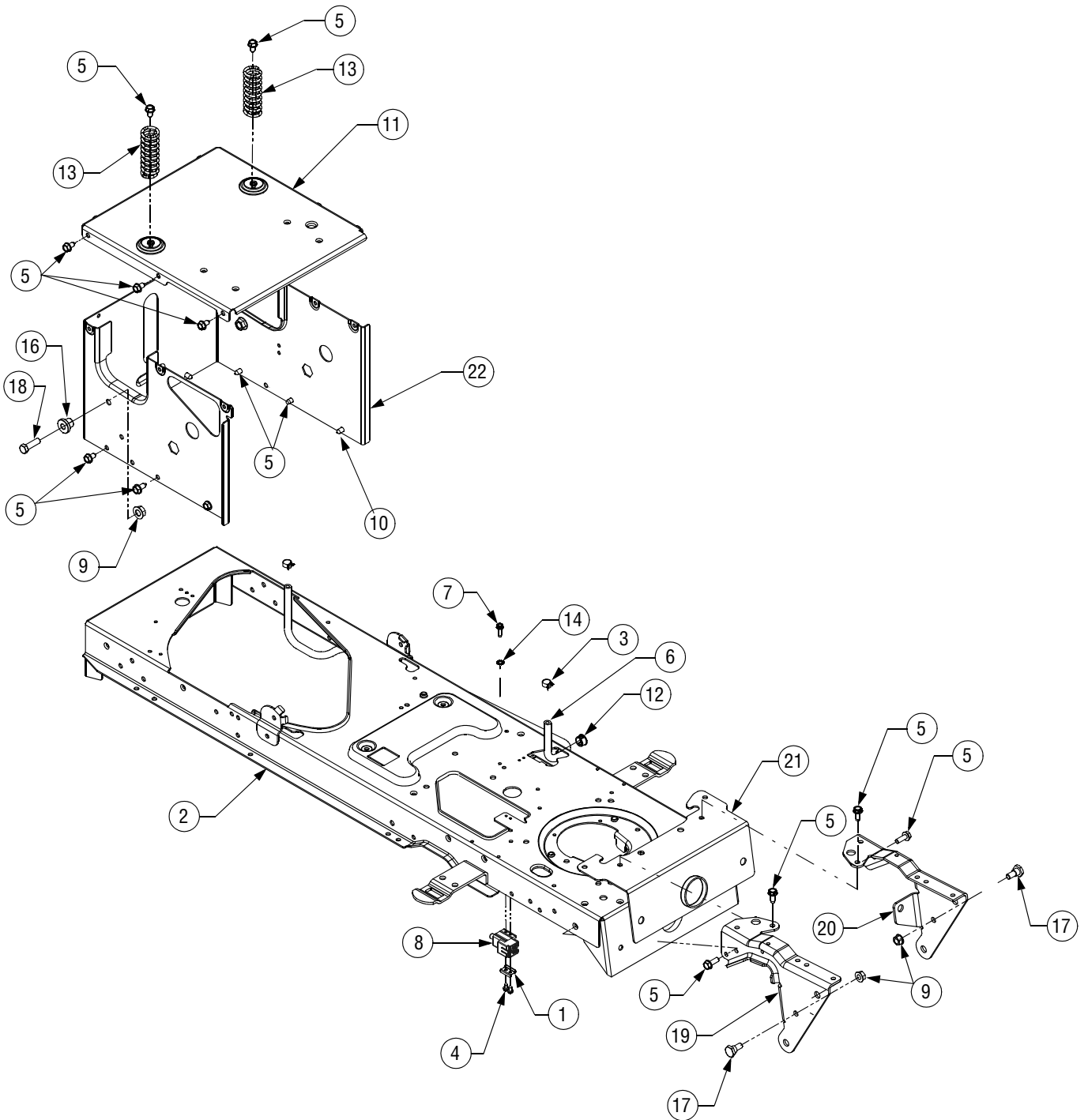
STEERING



STEERING

REF. NO.	PART NUMBER	DESCRIPTION	QTY.
1	710-0514	Hex Cap Screw, 3/8-16, 1.00, Gr5, Std	1
2	711-1408	Link, Drag, RH	1
3	711-1409A	Link, Drag, LH	1
4	710-1260	Self-tapping Screw, 5/16-18 x.75	1
5	712-0240	Nut, Jam, 7/16-20, Gr2	2
6	712-0214	Nut, Hex, 3/8-24, Gr5	2
7	712-04065	Nut, Nylon Lock, 3/8-16	4
8	712-0459	Nut, Flange Lock, 7/16-20	1
9	712-3004A	Nut, Flange Lock, 5/16-18	2
10	717-1550E	Gear, Steering, 11/90 Ratio	1
11	717-1554	Gear, Pinion, Steering	1
12	723-0448A	Ball Joint, 7/16-20	2
13	710-04095	Hex Cap Screw, 3/8-16, 1.00	1
14	736-3004	Washer, Flat,.406 x.875 x.105	1
15	736-3084	Washer, Flat,.510 x 1.120 x.060	1
16	737-3007	Grease, Alvania Ep 2	1
17	738-04154	Spacer, Shoulder, 1.00 x.38 x.38	2
18	738-04075	Shaft, Steering,.625 OD x 25.00 Lg	1
19	741-0475	Bushing, Plastic,.380 ID	2
20	741-0656A	Bearing, Hex Flange, 5/8	1
21	683-04101	Axle Assembly, LH.750 Dia	1
22	683-04102	Axle Assembly, RH.750 Dia	1
23	712-0417A	Nut, Hex, Flange, 5/8-18	2
24	714-04039	Pin, Cot, 5/32, 1.25	2
25	719-04105	Axle, Pivot, Cast.750 Dia	1
26	736-0866	Washer, Flat,.755 x 1.92 x.060	2
27	738-1011A	Screw, Shoulder,.500 x 2.230, 3/8-16	2
28	631-04008	Wheel, Steering, Three Spoke	1
29	731-04532	Cover, Steering Wheel	1

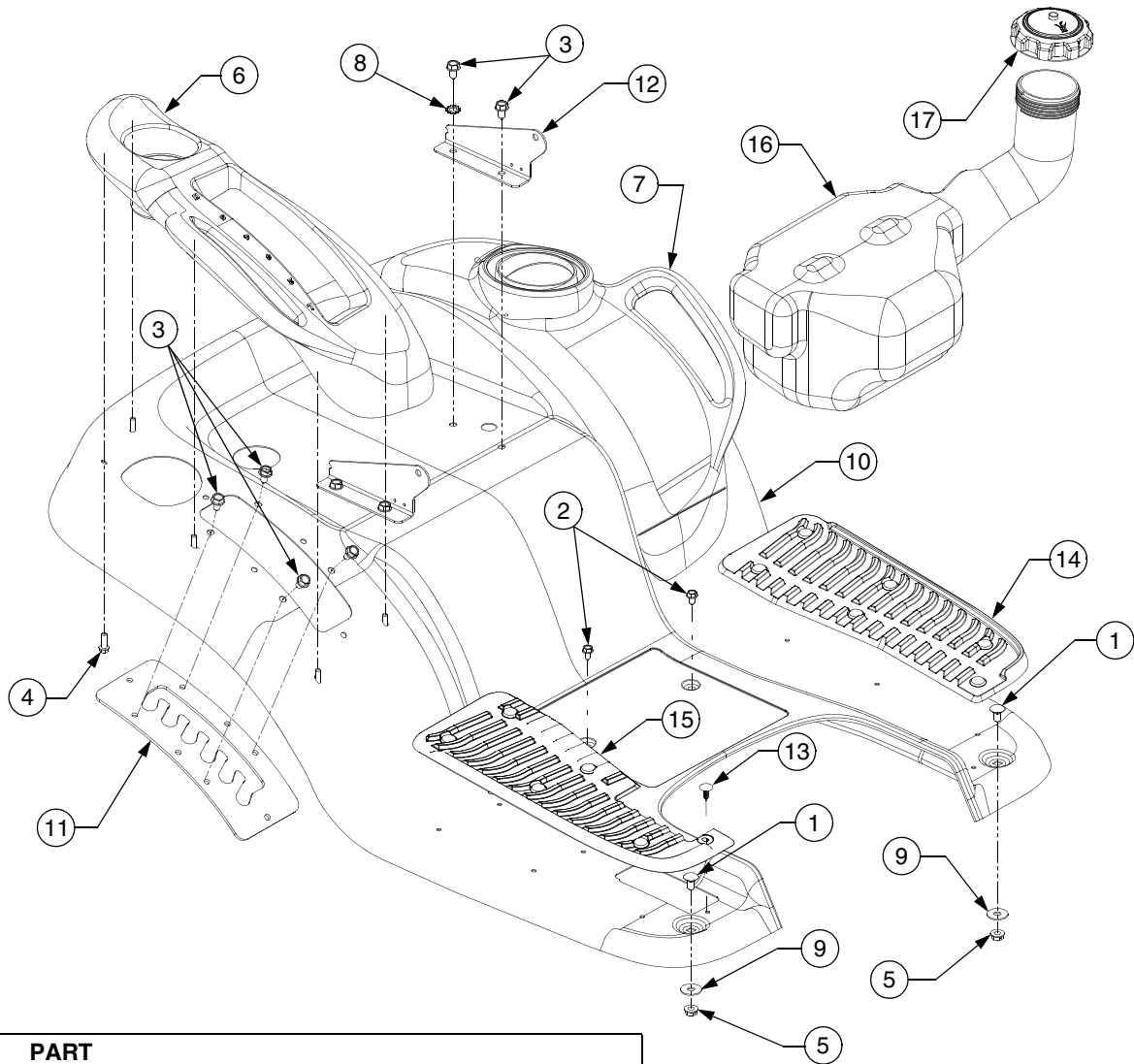
FRAME



FRAME

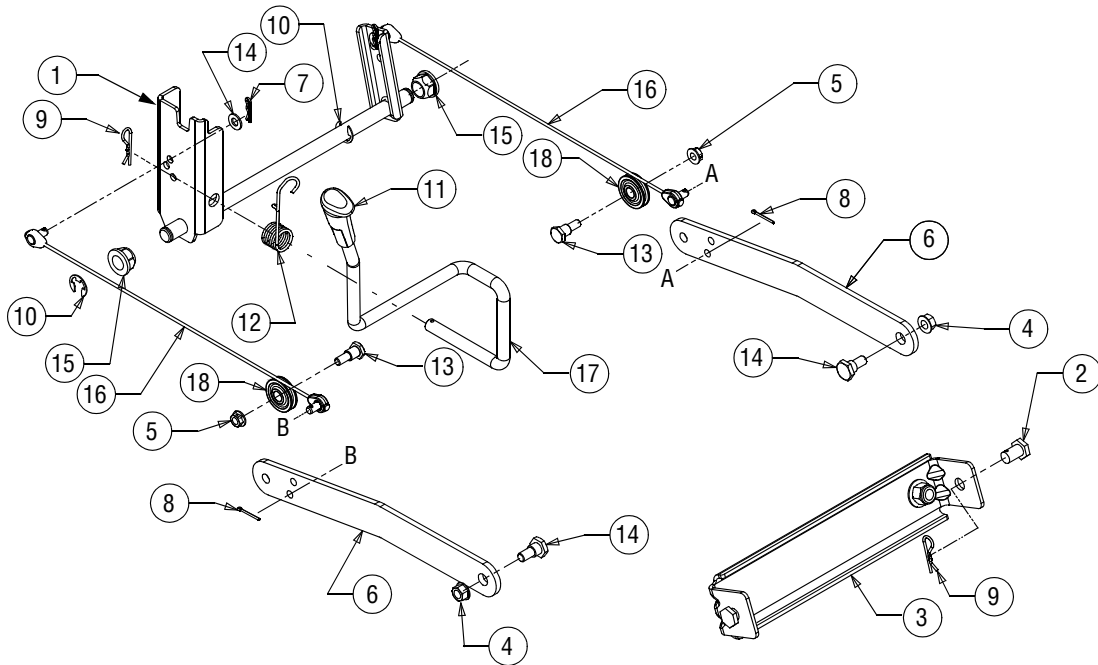
REF. NO.	PART NUMBER	DESCRIPTION	QTY.
1	17962	Plate, Switch	1
2	683-04173	Frame Assembly, Lower	1
3	726-0205	Clamp, Hose, .490 Dia.	2
4	710-0224	Screw, Hex Wash. Hd. Tapp, 10-16 x.5	2
5	710-0726	Screw, Self-tapping, 5/16-18, 0.75	13
6	751-0535	Fuel Line	1
7	710-1652	Screw, Hex Wash. Hd. Tapp, 1/4-20 x 0.625	1
8	725-04039	Switch, Interlock	1
9	712-04065	Nut, Nylon Lock, 3/8-16	4
10	710-0607	Screw, Hex Wash. Tapp, 5/16-18 x.5	1
11	783-04329A	Bracket, Frame, Seat	1
12	741-04092	Snap Bushing	1
13	732-04035	Spring, Compression, 1.28 OD x 3.125 Lg	2
14	736-0222	Washer, Lock, Ext 1/4	1
16	738-04058	Shoulder Spacer	2
17	738-0143	Shoulder Screw, 3/8-16	2
18	710-3005	Hex Screw 3/8-16 x 1.25	2
19	783-0726D	Bracket, Pivot, Support RH	1
20	783-0727C	Bracket, Pivot, Support LH	1
21	783-0728	Bracket, Pivot, Bar	1
22	783-04330A	Frame, Upper	1

FENDER & FUEL TANK



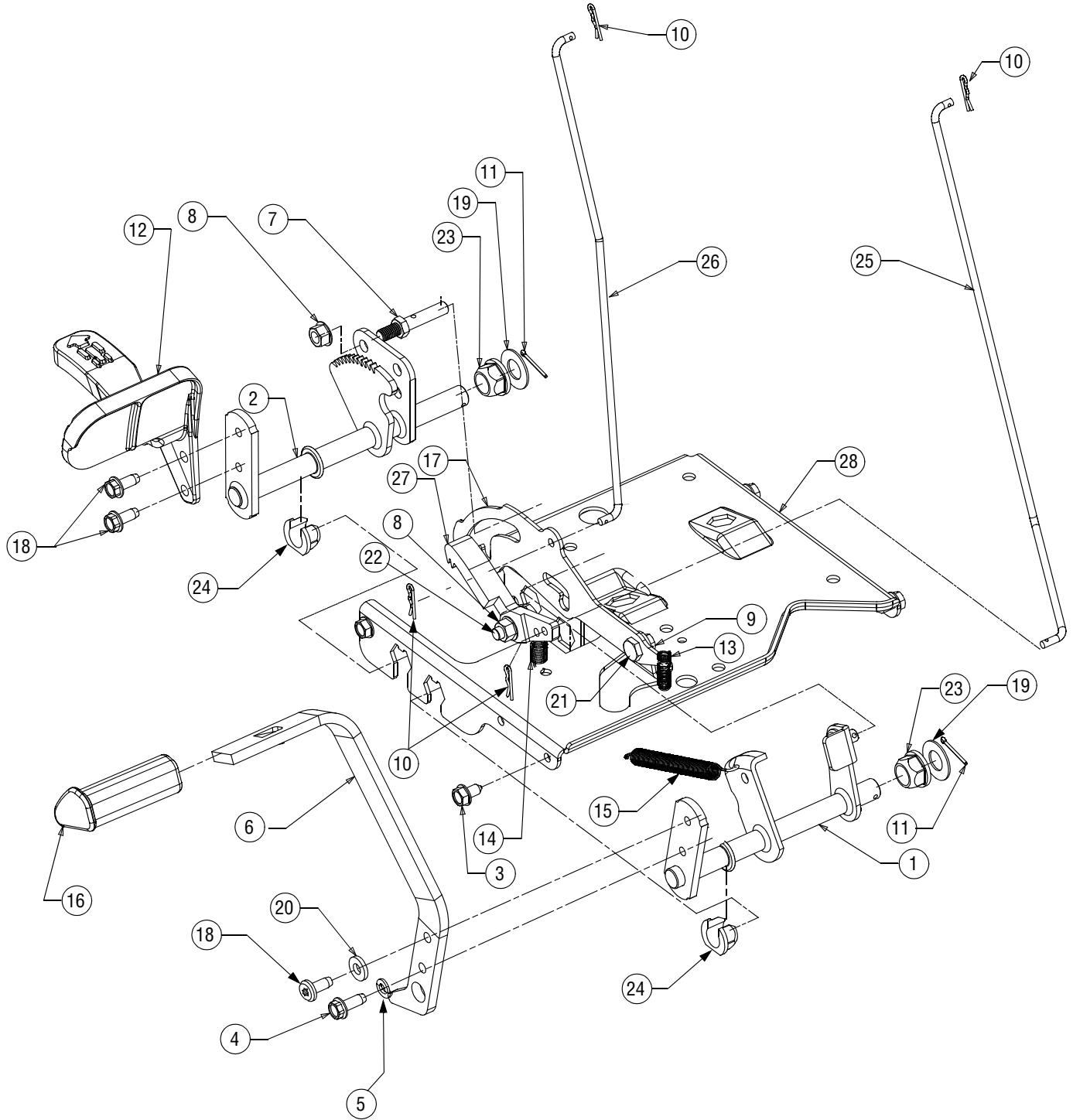
REF. NO.	PART NUMBER	DESCRIPTION	QTY.
1	710-0451	Bolt, Carriage, 5/16-18 x .75 Lg	2
2	710-0599	Screw, Hex Wash Hd Tap, 1/4-20 x .5	2
3	710-0726	Screw, Hex Wash Hd Tap, 5/16-12, 0.75	8
4	710-0895	Screw, 1/4-15, 0.750	6
5	712-04063	Nut, Flange Insert Lock, 5/16-18 GRF	2
6	731-2616A	Cover, Fender, RH	1
7	731-2617	Cover, Fender, LH	1
8	736-0607	Washer, External Tooth Lock, 5/16	1
9	736-3078	Washer, Flat, .349 x 1.00 x .063	2
10	783-04398A	Fender	1
	777D08309	Graphic, Rear of Fender	1
	777S32484	Graphic, Warning/Instruction	1
11	783-0677	Bracket, Lift, Adjustment	1
12	783-1489A	Bracket, Seat, Mount	2
13	726-3046	Clip, Ratchet, .250 Dia	12
14	735-0697A	Pad, Foot, LH	1
15	735-0698B	Pad, Foot, RH	1
16	751-0819B	Tank, Fuel	1
17	751-3124B	Cap, Fuel	1

LIFT ASSEMBLY



REF. NO.	PART NUMBER	DESCRIPTION	QTY.
1	683-04118	Shaft Assembly, Lift	1
2	711-0332	Pin, Clevis, .50 Dia x .78 Lg	2
3	783-0720A	Bracket, Deck	1
4	712-04065	Nut, Nylon Lock, 3/8-16	2
5	712-04063	Nut, Nylon Lock, 5/16-18, Gr5	2
6	783-0678A	Arm, Lift	2
7	714-0104	Pin, Cotter, .072 Dia. x 1.13 Lg	2
8	714-0111	Pin, Cotter, 3/32, 1.0	2
9	714-04023	Pin, Click, .092 x 1.64 Lg	2
10	716-0106A	E-ring, .625 Dia. Shaft	2
11	720-0311	Grip, Handle	1
12	732-0874	Spring, Torsion	1
13	738-0138A	Screw, Hex Cap, 5/16-18x.620 Gr2	2
14	738-0380	Shoulder Screw, .50 x .27 Lg, 3/8-16	2
15	741-0225	Bearing, Hex Flange	2
16	746-0968	Cable, Lift, 16.16 Lg	2
17	747-04155	Handle, Lift	1
18	756-1154	Pulley, Roller	2

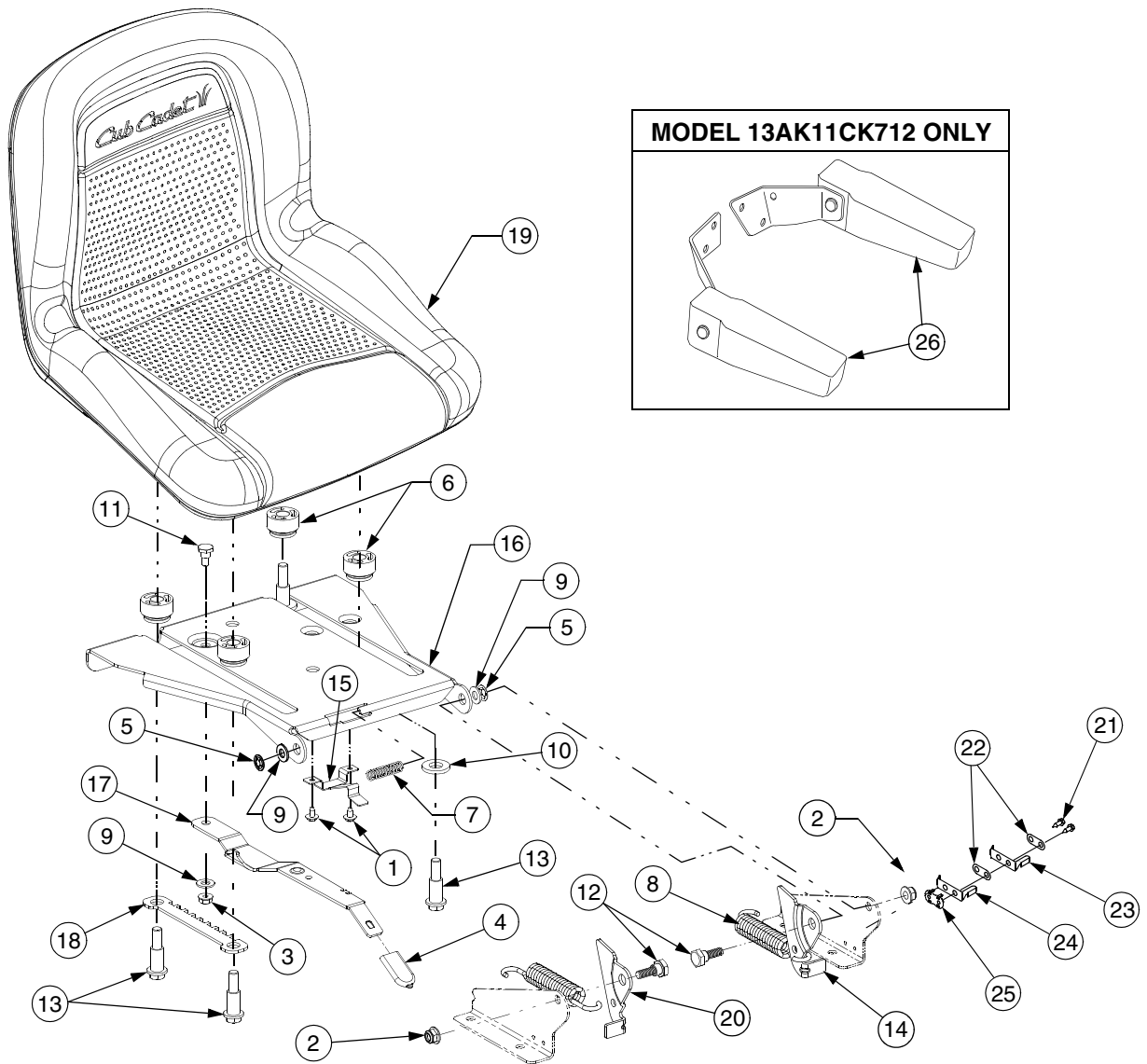
PEDAL ASSEMBLY



PEDAL ASSEMBLY

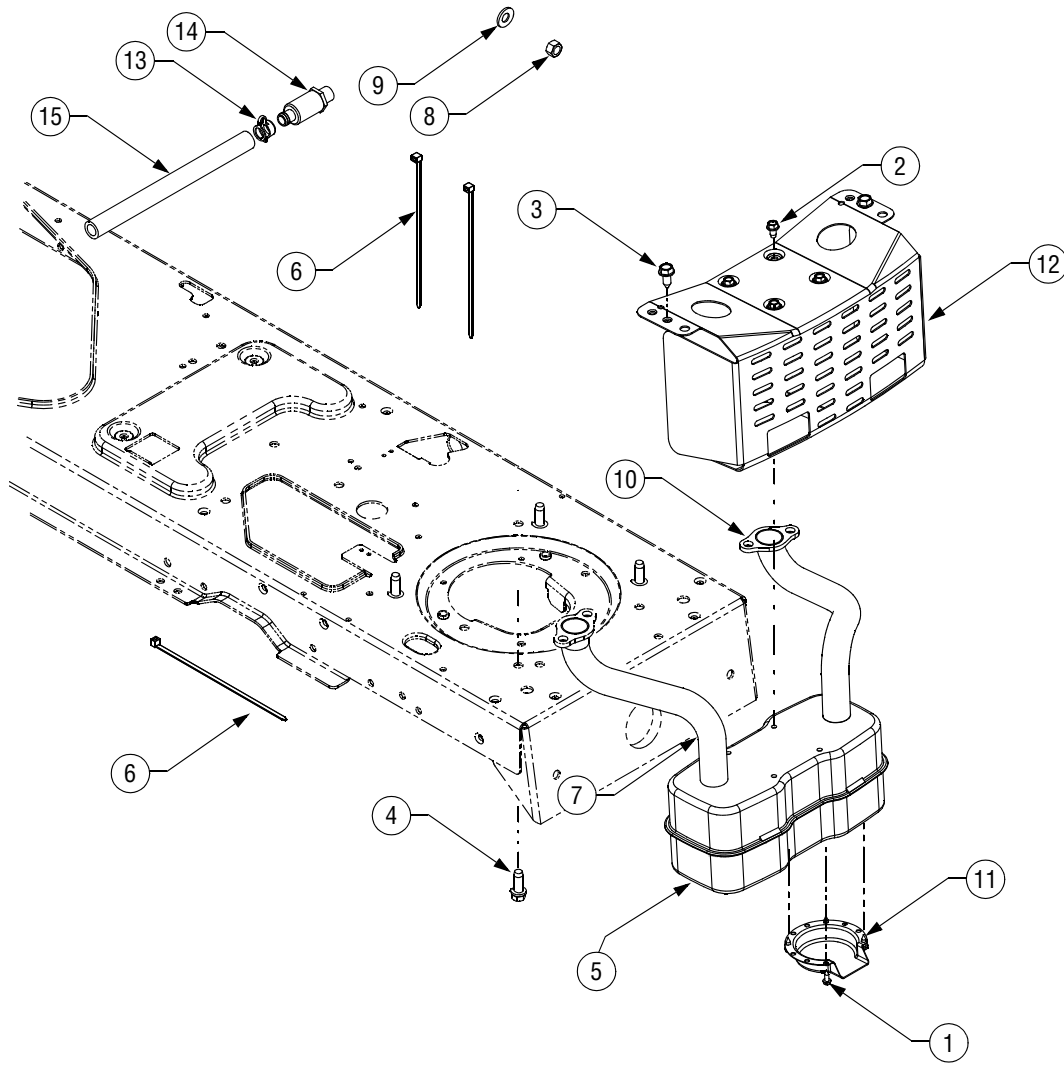
REF. NO.	PART NUMBER	DESCRIPTION	QTY.
1	647-0031B	Control Assembly, Brake	1
2	647-0049A	Control Assembly, Hydro	1
3	710-0726	Screw, Self-tapping, 5/16-12, 0.75	4
4	710-0650	Screw, Self-tapping, 5/16-18, 0.875	1
5	736-0119	Washer, Lock, 5/16	1
6	783-0773A	Pedal, Brake	1
7	711-04159B	Pin, 3/8-16, 3/8 x 2.68	1
8	712-04065	Nut, Nylon Lock, 3/8-16	2
9	712-3004A	Nut, Flange Lock, 5/16-18, Gr5	1
10	714-0104	Pin, Cotter,.072 Dia. x 1.13 Lg	4
11	714-0111	Pin, Cotter, 3/32, 1.0	2
12	719-0584A	Pedal, Hydro Control	1
13	732-0335	Spring, Compression,.405 x 1.17	1
14	732-0955	Spring, Extension,.50 OD x 1.41 Lg	1
15	732-0963	Spring, Extension,.50 Dia x 6.37 Lg	1
16	735-3049	Pad, Brake, Control	1
17	783-0663E	Bracket, Lockout, Hydro	1
18	710-1611B	Screw, Torx Hd. Tapp. 5/16-18 x.75	3
19	736-0187	Washer, Flat.64 ID x 1.24 x.06	2
20	736-3008	Washer, Flat,.344 x.750 x.120	1
21	738-0155	Shoulder, Screw.437	1
22	738-0380	Shoulder, Screw 3/8-16	1
23	741-0225	Bearing, Hex Flange	2
24	741-3065B	Bearing, Hex Flange,.628 ID, Split	2
25	747-04096	Rod, Control, Cruise	1
26	747-04093	Rod, Control, Brake Lock	1
27	748-04039B	Latch, Cruise	1
28	783-04612	Bracket, Support, Steering	1

ADJUSTABLE SEAT



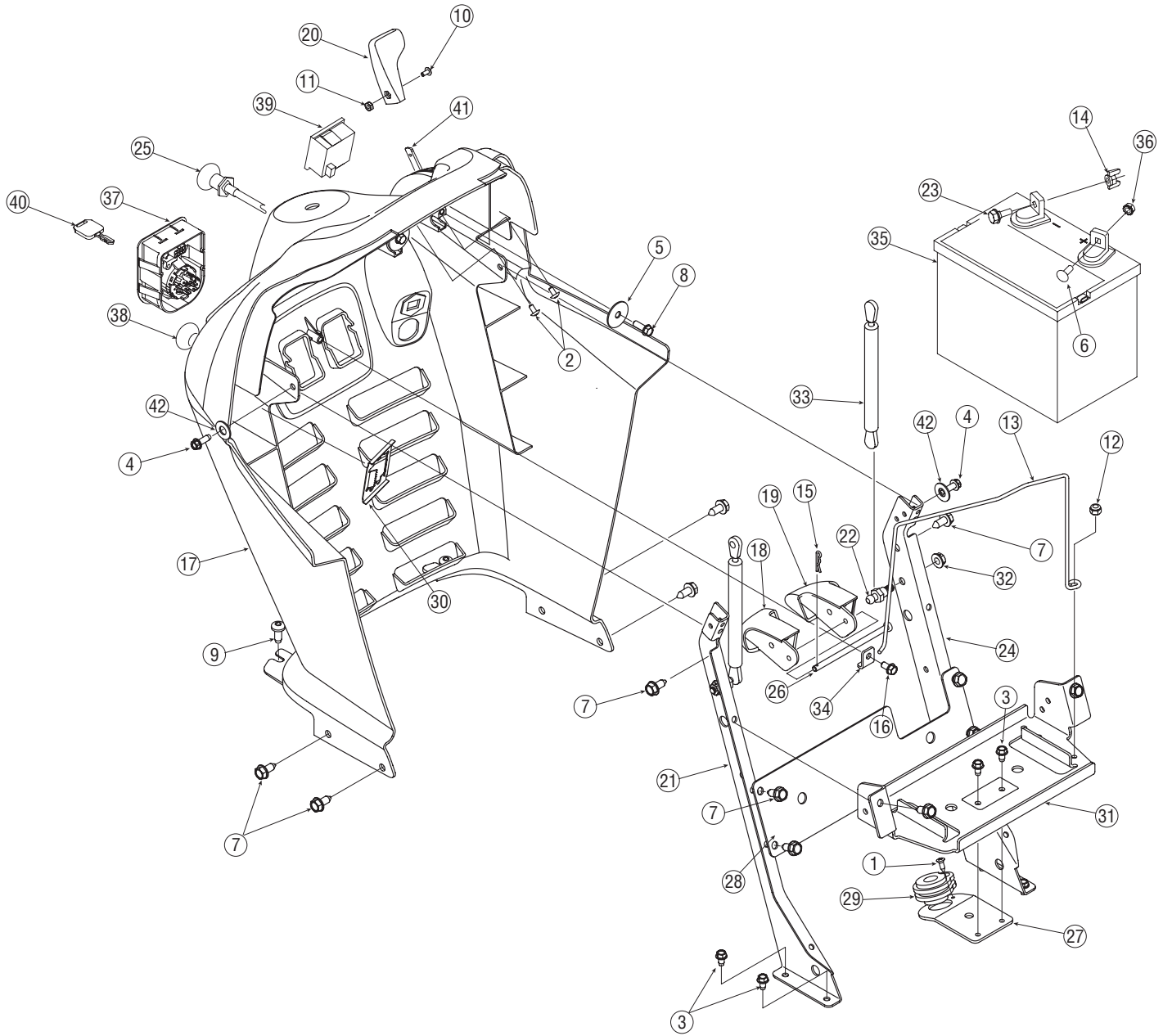
REF. NO.	PART NUMBER	DESCRIPTION	QTY.	REF. NO.	PART NUMBER	DESCRIPTION	QTY.
1	710-1268	Screw Hex Wash Hd., #10-16, 0.375	2	15	783-0611	Stop, Seat, Adjustment	1
2	712-04063	Nut, Flange Insert Lock, 5/16-18,	2	16	783-0738B	Bracket, Pivot, Seat	1
3	712-3027	Nut, Flange Lock, 1/4-20	1	17	783-0739A	Lever, Seat, Adjustment	1
4	720-0433	Grip, Seat Adjustment (Yellow)	1	18	783-0753	Selector, Seat, Adjustment	1
5	726-0201	Nut, Speed, .3125 ID	2	19	757-04035	Seat, Mid-back, V-1480	1
6	731-04074	Spacer, Seat, Adjustment	4		777D06883	Graphic, Made in USA	1
7	732-0499	Spring, Compression .41 OD x 1.50	1		777D01782	Graphic, Cub Cadet	1
8	732-1185	Spring, Extension, .815 Dia x 4.77	2	20	17239D	Bracket, Seat Lift	1
9	736-0275	Washer, Flat, .344 x .688 x .065	3	21	710-0227	Screw, #8-18 x.50	2
10	736-3019	Washer, Flat, .531 x 1.062 x .134	2	22	726-0279	Plate, Insulator	2
11	738-0137A	Screw, Shoulder, .340 x .285, 1/4-20	1	23	725-1303	Spring Switch, Outer	1
12	738-0296	Shoulder, Screw .437 x .286 Lg	2	24	725-1439	Spring Switch, Inner	1
13	738-0966A	Screw, Shoulder, .50 x.925:3/8-16	4	25	726-0278	Plate, Insulator Boss	1
14	783-0209D	Bracket, Seat Lift	1	26	757-04039	Arm Rest (Model 13AK11CK712)	1

ENGINE ACCESSORIES



REF. NO.	PART NUMBER	DESCRIPTION	QTY.
1	710-0227	Screw, #8-18, 0.500	4
2	710-0599	Screw, Hex, 1/4-20, 0.500	4
3	710-0726	Screw, Hex, 5/16-12 x.75	2
4	710-1315	Screw, Hex, 3/8-16 x 1.25	4
5	751-0805	Muffler, Dual Inlet	1
6	725-0157	Cable, Tie, 3/16 x.05 x 7.4	2
7	751-0645A	Pipe, Exhaust, RH	1
8	712-3005	Flange Lock Nut, 3/8-16	1
9	736-0300	Flat Washer, .406 x.875 x.059	1
10	751-0644B	Pipe, Exhaust, LH	1
11	751-0564A	Deflector, Muffler	1
12	783-0615D	Bracket, Muffler	1
13	751-3142	Cap, Oil Drain	1
14	751-3140	Drain, Oil	1
15	751-3141	Extension Hose, Oil Drain	1

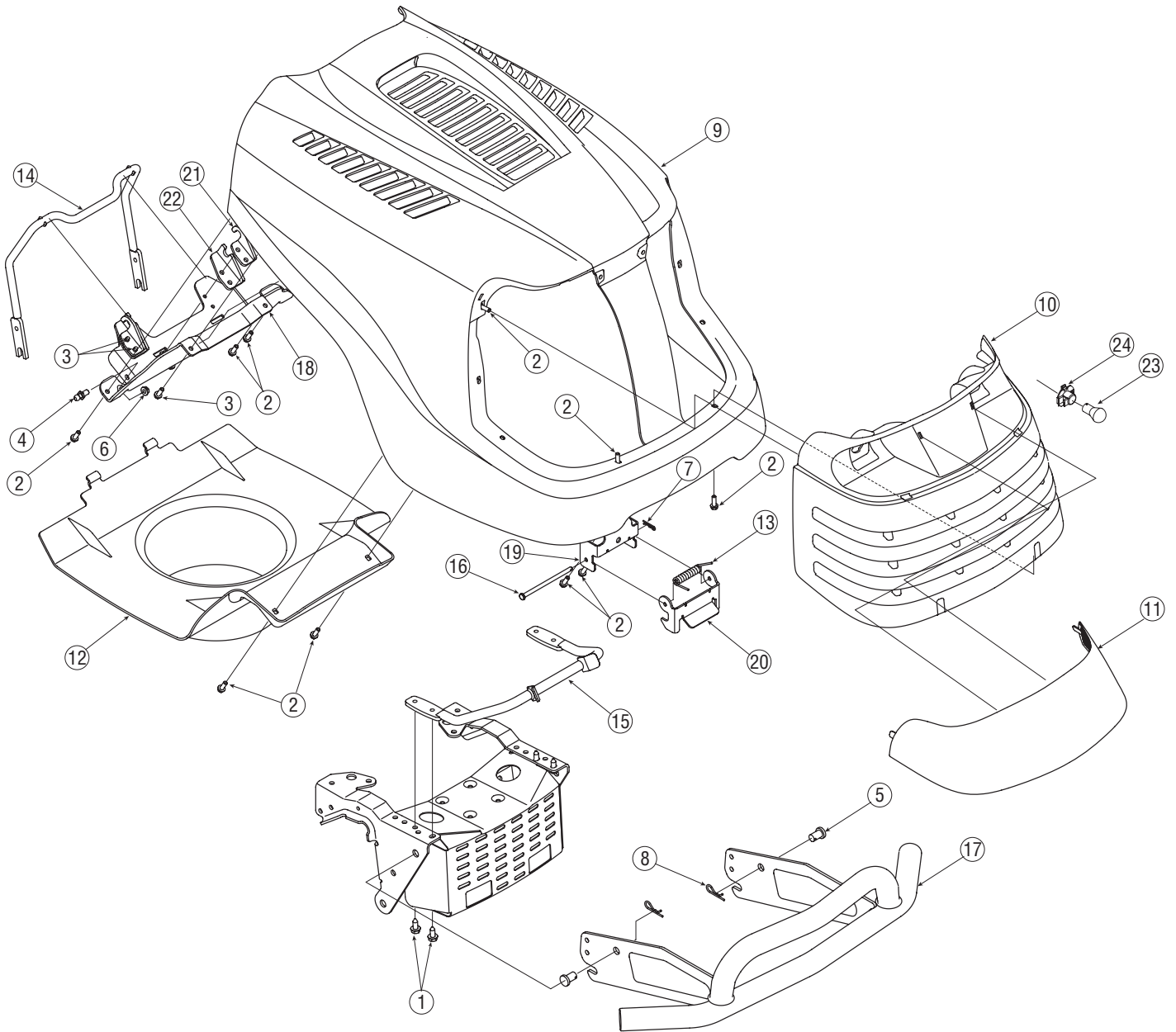
DASH PANEL



DASH PANEL

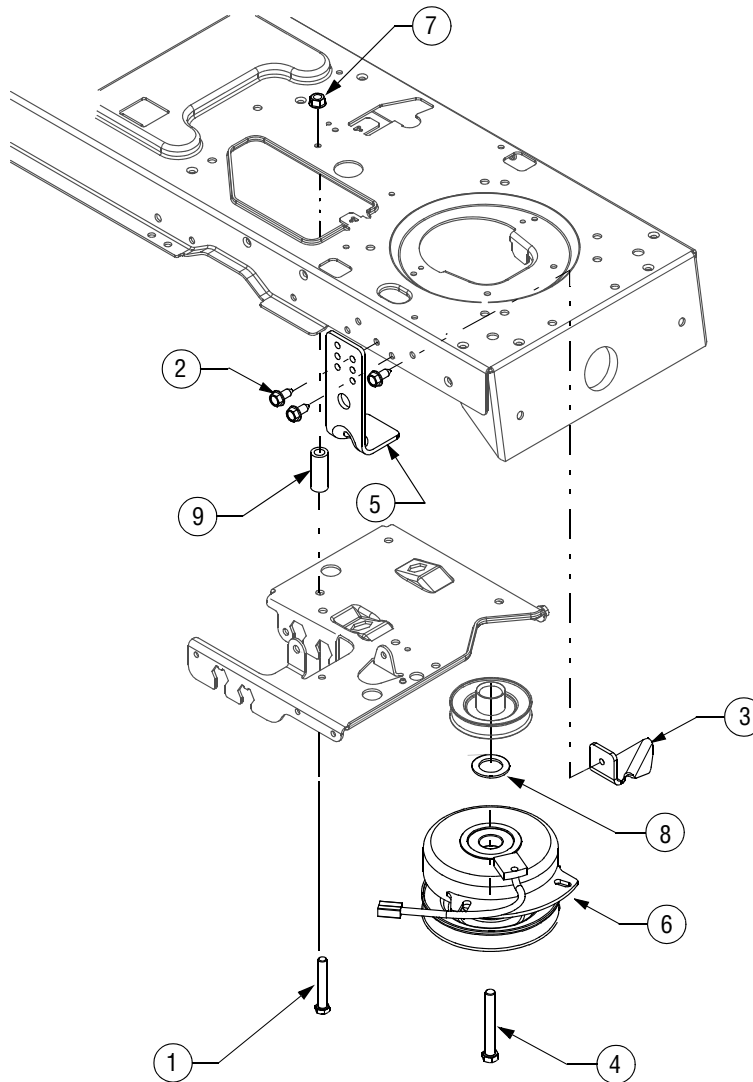
REF. NO.	PART NUMBER	DESCRIPTION	QTY.
1	710-0837	Screw, #10-16 x.625	1
2	710-0192	Screw, #10-24 x.375	2
3	710-0599	Screw, Self-tapping, 1/4-20, 0.500	6
4	710-0642	Screw, Hex. 1/4-20 x.75	2
5	736-0362	Flat Washer,.330 x 1.25 x.06	2
6	710-0703	Screw, Carriage, 1/4-20,.75,	1
7	710-0726	Screw, Hex, 5/16-12 x.75	12
8	710-0895	Screw, 1/4-15, 0.750	2
9	710-1611B	Screw, Torx Hd. Tapp. 5/16-18 x.75	2
10	710-3217	Screw, Machine, #8-32, 0.375, Trus Phillips	1
11	712-0142	Nut, 8-32	1
12	712-0324	Nut, Nylon Lock, 1/4-20	1
13	747-04215	Strap, Battery	1
14	712-3087	Nut, Wing, 1/4-20	1
15	714-0104	Internal Cotter Pin,.072 x 1.13	1
16	710-04187	Screw, 1/4-15 x.50	1
17	731-05077	Dash	1
18	731-04294A	Lever, Dash, Cruise	1
19	731-04293A	Lever, Dash, Brake	1
20	731-3161	Knob, Throttle Control	1
21	783-04285B	Dash Support, RH	1
22	710-04471	Ball Screw, 5/16-18 x.48	2
23	738-1132	Screw, Shoulder, 1/4-20,.25 x.15	1
24	783-04323B	Dash Support, LH	1
25	746-04120	Control, Choke	1
26	747-1323A	Rod,.250 Dia x 4.25 Lg.	1
27	783-04475	Bracket, Steering Support	1
28	783-04506A	Plate, Dash Support	1
29	741-0587	Steering Column Bearing	1
30	783-0462	Bracket, PTO Switch Retainer	1
31	783-1447A	Bracket, Support, Battery	1
32	712-3004A	Flange Lock Nut,5/16-18	2
33	727-3194	Gas Spring Cylinder, 3.94 Stroke	2
34	783-1499	Bracket, Rod, Dash	1
35	725-1750A	Battery, 235 CCA	1
36	712-0271	Nut, Sems, 1/4-20	1
37	725-04227	Switch Module, Ignition	1
38	725-04175	Switch, PTO, Yellow	1
39	725-04022	Monitor, Systems Indicator / Hour Meter	1
40	725-2054	Ignition Key, Plastic	2
41	746-1100	Control, Throttle, 38.0	1
42	736-0300	Flat Washer,.406 x.875 x.059	2
—	629-04139	Wire Harness	1

HOOD & GRILLE



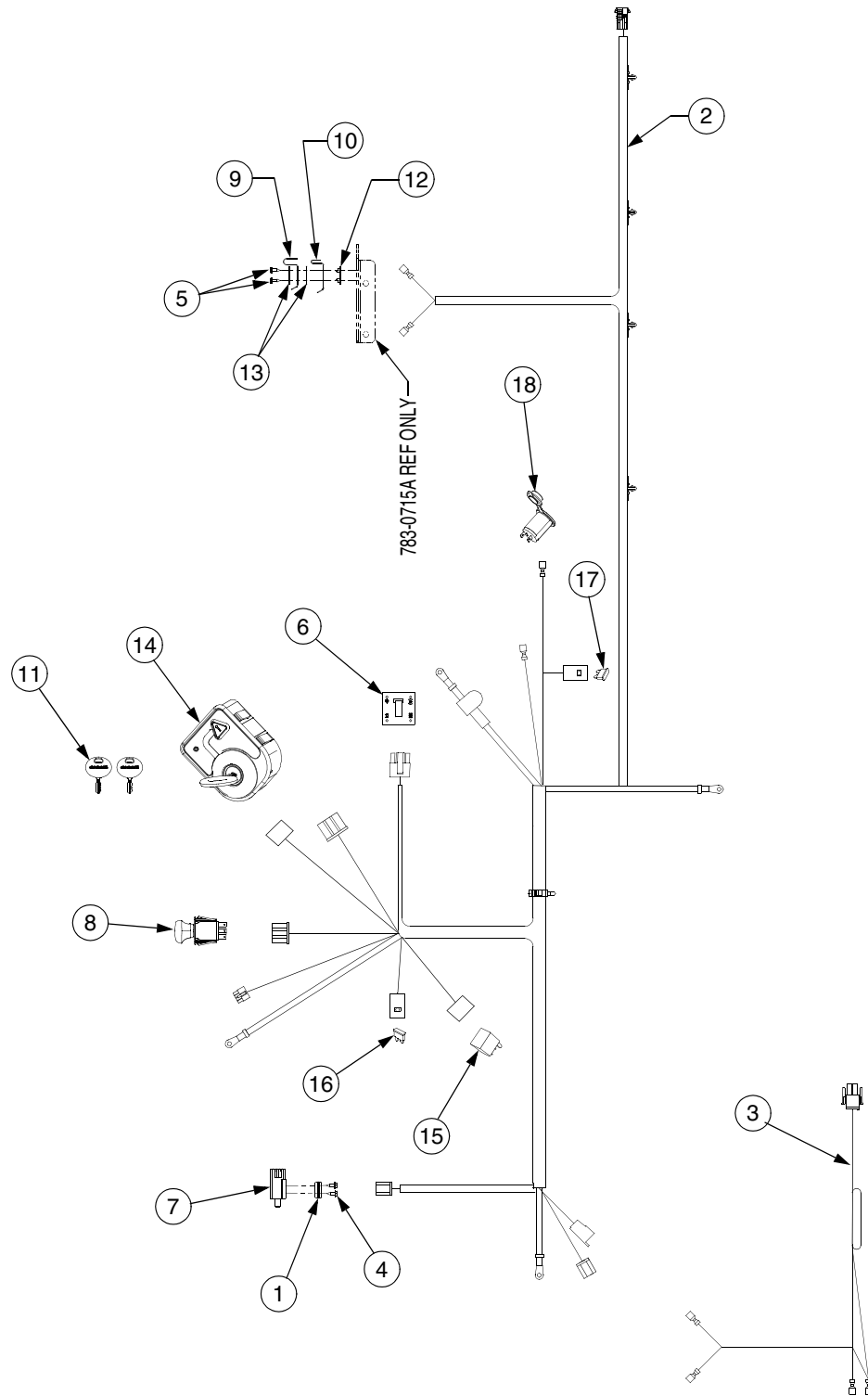
REF. NO.	PART NUMBER	DESCRIPTION	QTY.	REF. NO.	PART NUMBER	DESCRIPTION	QTY.
1	710-0726	Screw, 5/16-12 x.750	4	14	747-04354	Hood Pivot Rod	1
2	710-0895	Screw, 1/4-15 x.750	12	15	747-04368	Hood Latch Rod	1
3	710-1276	Screw, Self Tapp, 1/4-20 x.750	4	16	747-1323A	Rod,.250 Dia. x 4.55 Lg.	1
4	710-3170	Screw, Ball, 5/16-18 x.56	2	17	749-04207	Bumper	1
5	711-0332	Pin, Clevis,.50 Dia. x.78 Lg.	2	18	783-04662	Hood Hinge Bracket	1
6	712-3004A	Nut, Flange Lock, 5/16-18	2	19	783-04714	Latch Plate	1
7	714-0104	Pin, Cotter,.072 Dia. x 1.13 Lg.	1	20	783-04717	Latch Pivot Bracket	1
8	714-0145	Pin, Click,.092 x 1.64 Lg.	2	21	783-04724	Upper Pivot Bracket	2
9	731-05053	Hood	1	22	783-04725	Hood Pivot Bracket	2
10	731-05103	Grill	1	23	725-0963	Miniature Lamp, 12V	2
11	731-05111	Lens	1	24	725-1649	Lamp Socket	2
12	731-05129	Hood Plenum	1	—	629-04142	Headlight Harness	1
13	732-04281	Latch Spring	1				

POWER TAKE-OFF (PTO) SYSTEM



REF. NO.	PART NUMBER	DESCRIPTION	QTY.
1	710-0859	Screw, 3/8-16 x 2.5 GR5	1
2	710-0726	Screw, 5/16-12,.75	3
3	783-04419A	Bracket, Clutch	1
4	710-3157A	Screw, Hex Cap, 7/16-20 x 3.25 GR5	1
5	783-04467	Deck Stop	1
6	717-1774B	Clutch, Electric PTO	1
7	712-04065	Nut, Hx. Nylon Lock, 3/8-16	1
8	736-0277	Washer, Flat, 1.031 x 1.62 x.095	1
9	748-0415B	Spacer, 3/8 x 1.54	1

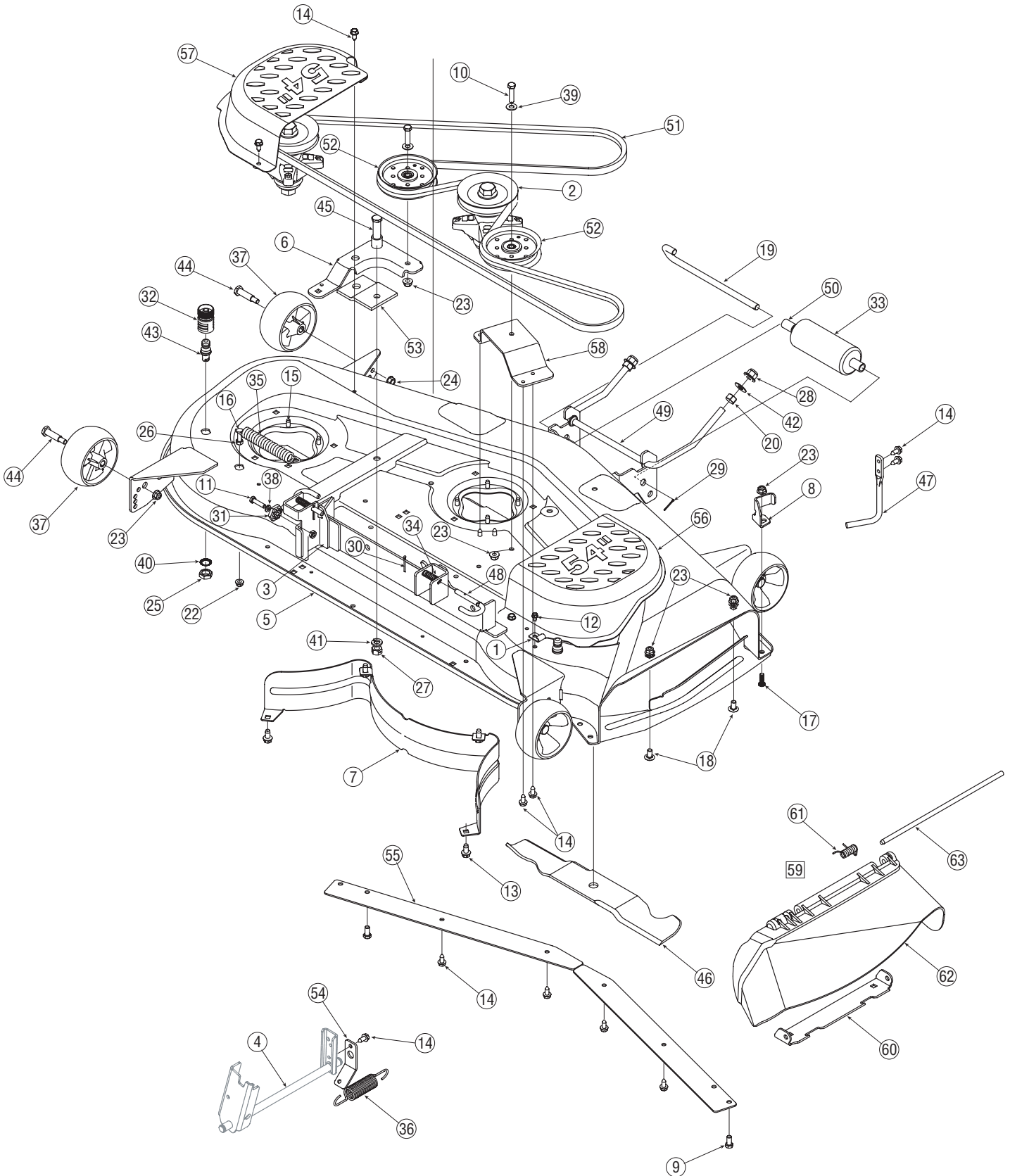
ELECTRICAL SYSTEM



ELECTRICAL SYSTEM

REF. NO.	PART NUMBER	DESCRIPTION	QTY.
1	17962	Plate, Switch	1
2	629-04139	Harness Assembly	1
3	629-04142	Harness Assembly, Headlight	1
4	710-0224	Screw, Hx. Wash. Hd. Tapp, 10-16 x .5	2
5	710-0227	Screw, Hx. Wash. Hd. Tapp, 8-18 x .5	2
6	725-04022	Indicator/ Meter Hour	1
7	725-04039	Switch, Interlock	1
8	725-04175	Switch, Electric PTO, Yellow Knob	1
9	725-1303	Switch, Outer Seat Spring	1
10	725-1439	Switch, Inner Seat Spring	1
11	725-2054	Key, Switch, Plastic	2
12	726-0278	Plate, Insulator Boss	1
13	726-0279	Plate, Insulator	2
14	725-04227	Switch, Key/Module	1
15	725-1648	Relay	1
16	725-1381	Fuse, 20 Amp	1
17	725-04008	Fuse, 5 Amp	1
18	725-2003	Receptacle, Power 12V	1

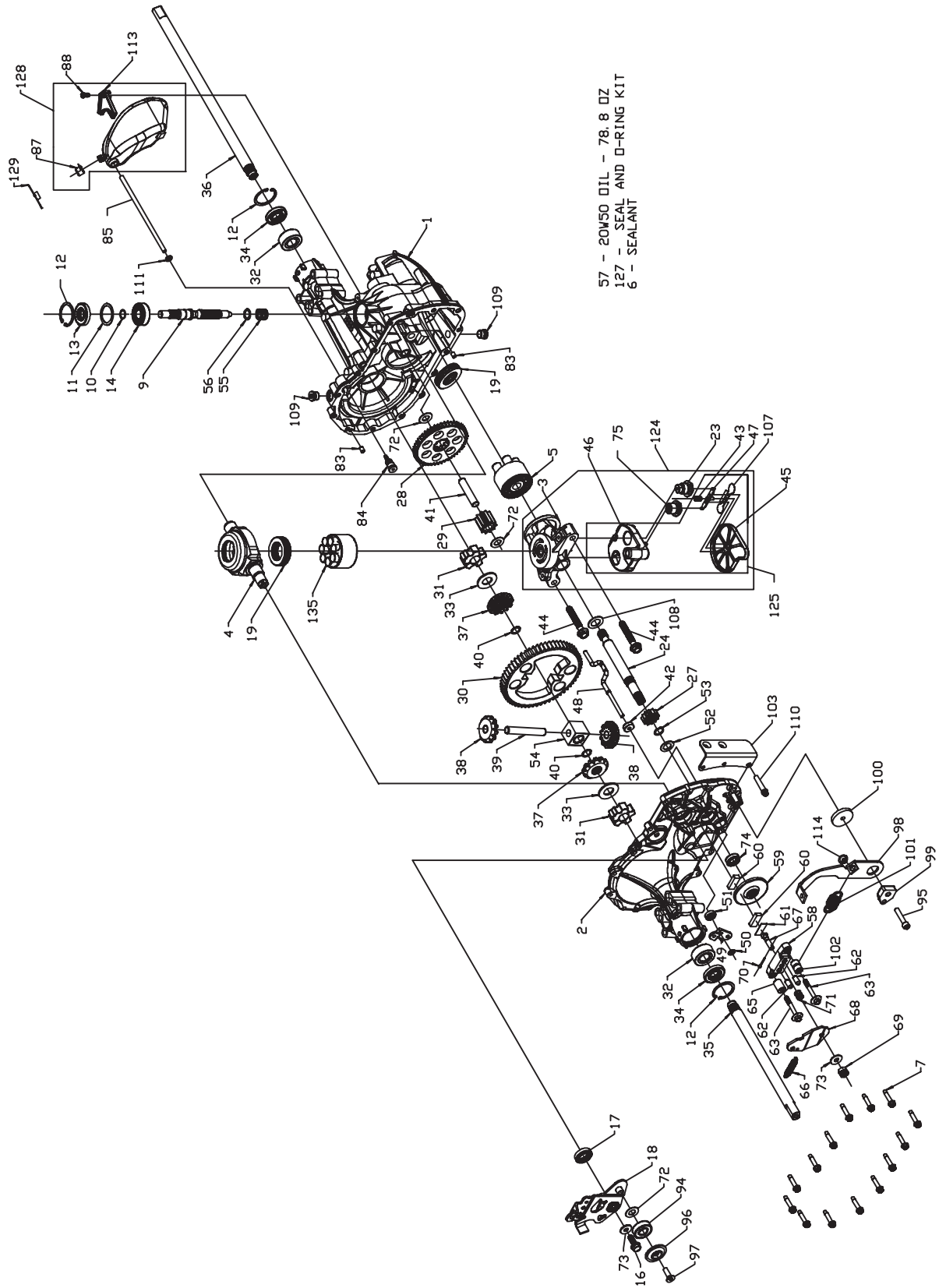
54-INCH MOWER DECK



54-INCH MOWER DECK

REF. NO.	PART NUMBER	DESCRIPTION	QTY.	REF. NO.	PART NUMBER	DESCRIPTION	QTY.
1	16606	Hook, Retainer Bracket	1	33	731-3005	Front Roller	1
2	618-04129B	Spindle Assembly	3	34	732-0306A	Sprg, Compr.,.531OD x 1.75 Lg.	2
3	683-0254B	Hanger Bracket Assembly	1	35	732-0459B	Spring, Ext.,.94 Dia. x 6.74 Lg.	1
4	683-04079	Lift Shaft Assembly	1	36	732-0934	Spring, Ext., 1.15 Dia. x 5.99 Lg.	1
5	683-04180	54" Deck Assembly	1	37	734-04039	Deck Wheel	4
6	683-04182	Idler Arm Assembly	1	38	736-0119	Washer, Lock, 5/16	1
7	703-2093	Inner Rear Baffle	1	39	736-0300	Washer, Flat,.406 x.875 x.059	2
8	703-3279	Chute Deflector Stop	1	40	736-0760	Washer, Lock	2
9	710-0216	Screw, 3/8-16 x.75	2	41	736-0921	Washer, Lock, 1/2	1
10	710-0520	Screw, 3/8-16 x 1.50	2	42	736-3084	Washer, Flat,.51 x 1.12 x.06	2
11	710-0528	Screw, 5/16-18 x 1.25	1	43	737-04003B	Deck Water Nozzle	2
12	710-0599	Screw, 1/4-20 x.500	1	44	738-0373	Screw,.498 x 1.53 x 3/8-16	4
13	710-0623	Screw, TT, 3/8-16 x.750	4	45	738-1229A	Screw,.625 x 2.50 x 1/2-13	1
14	710-0726	Screw, 5/16-12 x.750	15	46	742-3013	Blade, High Lift, 18.5 Lg.	3
15	710-1260A	Screw, 5/16-18 x.750	12	47	747-04384	Rod, Upstop	1
16	710-3103	Screw, 5/16-18 x 2.00	1	48	747-1116	Rod, Handle, Deck Release	2
17	710-04095	Screw, Spec. Hex Cap, 3/8-16 x 1.0	1	49	747-1324	Rod, Deck, Front, Adj.	1
18	710-3178	Bolt, Carriage, 3/8-16 x.750	2	50	750-0151	Spacer,.550 ID x.755 OD x 1.1	2
19	711-1737	Pin, Roller,.5" Dia. x 10.06 Lg.	1	51	754-04083	Belt, V, B Sec, 136.0	1
20	712-0206	Hex Nut, 12-13	2	52	756-04129	Pulley, Idler, 4.25" Dia.	2
21	712-0229	Push Nut, 3/8	2	53	783-04013A	Bracket, Stabilizer, Pulley	1
22	712-04063	Nut, Flange Lock, 5/16-18	1	54	783-04462	Bracket, Lift	1
23	712-04065	Nut, Flange Lock, 3/8-16	9	55	783-04690	Skirt, Deck	2
24	712-0431	Nut, Flange Lock, 3/8-16	2	56	783-04691	Cover, Belt, RH	1
25	712-0641	Nut, Hex, M16-1.5	2	57	783-04692	Cover, Belt, LH	1
26	712-3010	Nut, Hex, 5/16-18	1	58	783-04726	Bracket, Idler, Stationary	1
27	712-3022	Nut, Hex Lock, 1/2-13	1	59	631-04070	Chute Assembly, Side Discharge	1
28	712-3083	Nut, Hex Lock, 1/2-13	2	60	783-04470	Chute Mounting Bracket	1
29	714-0111	Pin, Cotter, 3/32 x 1.00	1	61	732-3070	Torsion Spring	1
30	714-0470	Pin, Cotter, 1/8 x 1.25	2	62	731-3131A	Deflector Chute	1
31	717-04074	Deck Adjustment Gear	1	63	711-1762	Hinge Pin	1
32	721-04041	Water Nozzle Adapter	1				

TRANSMISSION



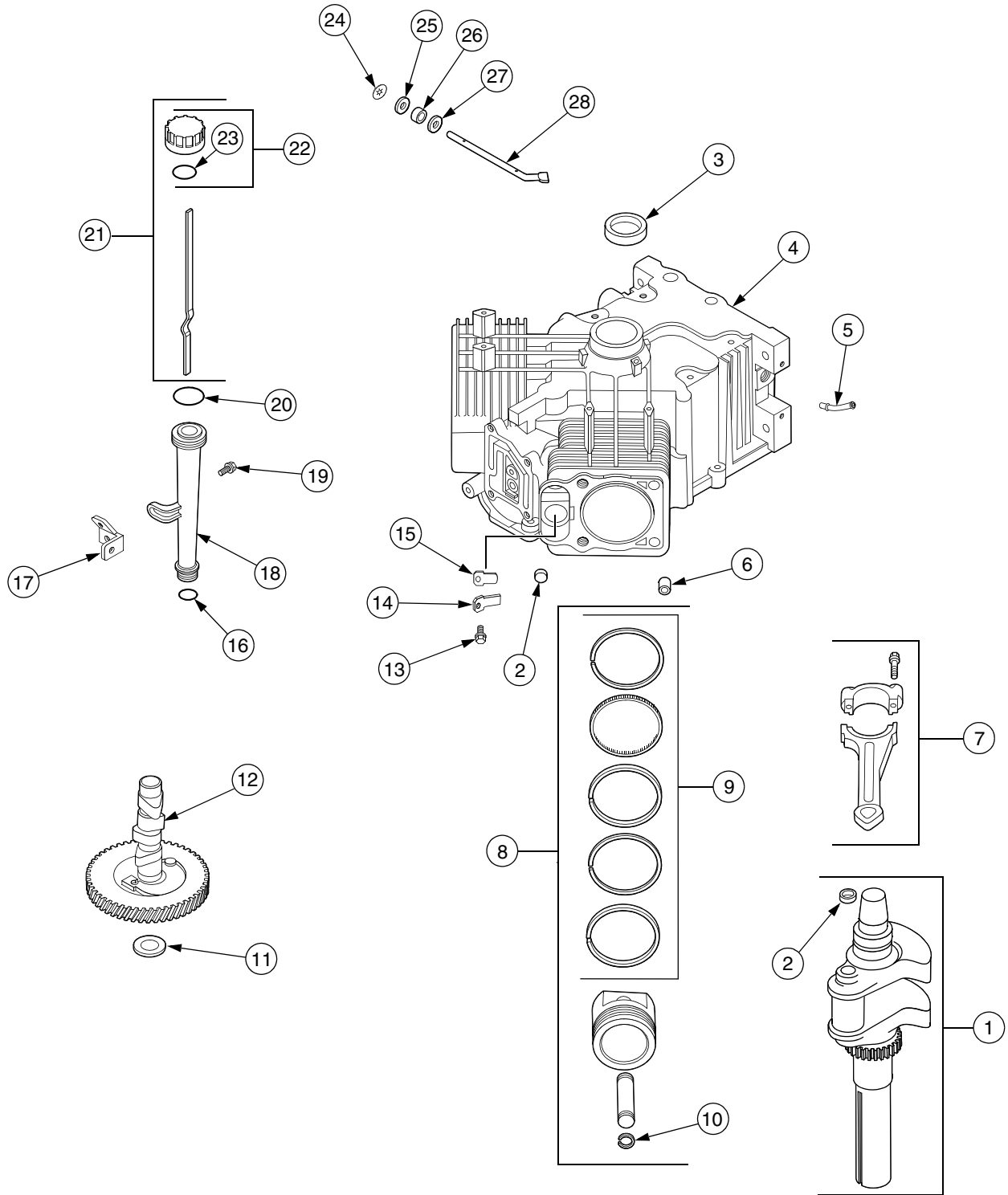
TRANSMISSION

ITEM	PART NUMBER	QTY	DESCRIPTION
1	71273	1	MAIN HOUSING, ASSEMBLY
		1	MAIN HOUSING, MACHINED DRAIN
		1	BUSHING .865 X .985 X .790
2	7D4B3	1	SIDE HOUSING, ASSEMBLY
		1	SIDE HOUSING, MACHINED
		1	BUSHING .865 X .985 X .790
		1	BUSHING .624 X .719 X .562
3	70724	1	CENTER SECTION, ASSEMBLY
		1	CENTER SECTION, MACHINED
		1	BUSHING .707 X .788 X .591
4	51048	1	SWASHPLATE, TRUNNION MACHINED
5	70331	1	BLOCK - ASSEMBLY
		5	PISTON
		5	SPRING, COMPRESSION
		5	WASHER - THRUST
6	50928	10.5 OZ	SEALANT
7	51190	14	HEX FLANGE SCREW 1/4-20 X 1.25
9	51062	1	SHAFT, INPUT
10	20D0D22	1	RING - RETAINING
11	50951	1	SPACER
12	50329	3	RING - RETAINING
13	51161	1	SEAL, LIP .67 X 1.58 X .276
14	50315	1	BALL BRG 17MM ID X 40MM OD X 12MM
16	51064	1	BOLT, HEX FLANGE HEAD 5/16-24X.94 (PATCH)
17	51140	1	LIP SEAL 18 X 32 X 7
18	51119	1	ARM, CONTROL
19	50551	2	BEARING, 30 X 32 X 13 THRUST
23	51843-1027	1	SHOCK VALVE ASSEMBLY, 270 BAR
24	50966	1	SHAFT, MOTOR
27	51767	1	GEAR - PIGNION, 12T
28	51766	1	10T/49T GEAR
29	51043	1	GEAR, 10T JACKSHAFT
30	51847	1	60T BULL GEAR
31	51088	2	SLEEVE BEARING .75 X 1.730 X .625
32	51089	2	SLEEVE BEARING (OUTBOARD) .75 X 1.575 X .625
33	44875	2	WASHER, 3/4 X 1-1/2 X .13 THK
34	51066	2	LIP SEAL AXLE SEAL
35	52209	1	SHAFT, AXLE .75 X 11.99 ID 0610CR.H.)
36	52210	1	SHAFT, AXLE .75 X 16.99 ID 0610(L.H.)
37	51829	2	MITER GEAR 12T (SPLINED)
38	51830	2	MITER GEAR 12T (D.5 ID)
39	5D146	1	SHAFT
40	44871	2	RING, SPIRAL RETAINING
41	51083	1	PIN, JACKSHAFT
42	51100	1	MAGNET, RING
43	51136	1	SPRING, BYPASS
44	50016	2	BOLT, HEX FLANGE 3/8-24 X 2.5
45	51581	1	BOTTOM, FILTER
46	51580	1	BASE, FILTER W/POPPET
47	51091	1	ACTUATOR, BYPASS
48	51098	1	ROD, BYPASS ACTUATOR
49	51133	1	ARM, BYPASS
50	51116	1	RETAINING RING .250 EXTERNAL
51	51081	1	SEAL, LIP .741 X .250 X .250 TC
52	44371	1	FLAT WASHER, 5/8 ID X 1.0 OD X .06 THK
53	44145	1	RETAINING RING
54	51071	1	BEARING, CENTER BLOCK
55	20D3014	1	SPRING - HELICAL COMPRESSION
56	20D3017	1	WASHER
57		78.8 OZ	ROV-5D OIL
58	44092	1	BRAKE YOKE
59	51072	1	ROTOR, BRAKE
60	44132	2	BRAKE PUCK
61	44134	1	PUCK PLATE
62	44127	2	BRAKE ACTUATING PIN
63	51146	2	HFHCS 1/4-20 X 2 W/PATCH SPECIAL FLANGE

ITEM	PART NUMBER	QTY	DESCRIPTION
65	23711	1	SPACER
66	51607	1	SPRING, BRAKE ARM BIAS
67	44138	1	SD HD. BOLT 5/16-24- RIBBED
68	44094	1	ARM, BRAKE
69	44142	1	SLOTTED HEX NUT 5/16-24
70	441D1	1	COTTER PIN 3/32 X 3/4
71	50919	1	COMPRESSION SPRING ANTI-DRAG
72	50132	3	WASHER, HT .5 I.D. X 1.0 I.D. X .032
73	44130	2	FLAT - WASHER 11/32 I.D. X 7/8 O.D.
74	44761	1	OIL SEAL .625 X 1.0 X .25
75	51084	1	CHECK PLUG ASSEMBLY, .027, WASHER
83	9004800-25D6	2	PIN, STANDARD HEADLESS
84	51143	1	FITTING, 5/16 SAE 5/32 TUBE
85	51147	1	HOSE, EXPANSION TANK
87	51251	1	CAP, VENT
88	50653	1	BOLT, SELF TAPPING 10-32 X 1/2
93	51118	2	SPRING CLIP - HOUSING THRUST
94	44147	1	BEARING, BALL .62 ID X 1.38 X .44
95	50837	1	SCREW, SOCKET HEAD CAP 3/16-24 X 1-1/2
96	51200	1	SPACER, LOCATING
97	50870	1	SCREW, SFHCS 5/16-18 X 1
98	51120	1	ARM, RETURN
99	51097	1	PUCK, ADJUSTING
100	51122	1	WASHER, .24 ID X 1.60 OD X .239
101	51131	1	SPRING, EXTENSION
102	51123	1	SPACER, 260 ID X .560 OD X .870
103	51223	1	BRACKET, TORQUE
107	51134	1	DEFLECTOR
108	51069	1	WASHER, MOTOR SHAFT .71 ID X 1.13 OD X .030 THK
109	9005110-56D0	2	PLUG, SAF #6
110	50868	1	SCREW, TORX HEAD 5/16-18 T.F.
111	51144	1	O-RING, 103 X .299 ID
113	51179	1	BRACKET, SUPPORT EXPANSION TANK
114	51184	1	SPRING GUIDE
124	7D930	1	CENTER SECTION - FILTER - BYPASS ASSEMBLY
		1	CENTER SECTION MACHINING
		1	BASE, FILTER W/POPPET
		1	CHECK PLUG ASSEMBLY, .027 WASHER
		1	SHOCK VALVE ASSEMBLY, 220 BAR
		1	SPRING, BYPASS
		1	ACTUATOR, BYPASS
		1	DEFLECTOR
		1	BOTTOM, FILTER
		1	BUSHING, .707 X .788 X .591
125	70756	1	FILTER ASSEMBLY
		1	BOTTOM, FILTER
		1	SPRING, BYPASS
		1	ACTUATOR, BYPASS
		1	DEFLECTOR
		1	BASE, FILTER W/POPPET
127	70463	1	SEAL - O-RING KIT
		1	SEAL, LIP .67 X 1.58 X .276
		1	LIP SEAL 18 X 32 X 7
		2	LIP SEAL .706 X 1.584 X .25
		1	SEAL, LIP .741 X .250 X .250 TC
		1	OIL SEAL .625 X 1.0 X .25
		1	O-RING .07 X .301 ID
128	70503	1	KIT, EXPANSION TANK
		1	TANK, EXPANSION ASSEMBLY
		1	CAP, VENT
		1	VBOLT, SELF TAPPING 10-32 X 1/2
		1	BRACKET, SUPPORT EXPANSION TANK
129	51252	1	CAP, EXPANSION TANK SHIPPING
135	70723	1	BLOCK - ASSEMBLY
		1	BLOCK - CYLINDER
		7	PISTON
		7	SPRING, COMPRESSION
		7	WASHER - THRUST

NOTE: Include a HG- prefix when ordering replacement transmission parts (i.e. HG-70467).

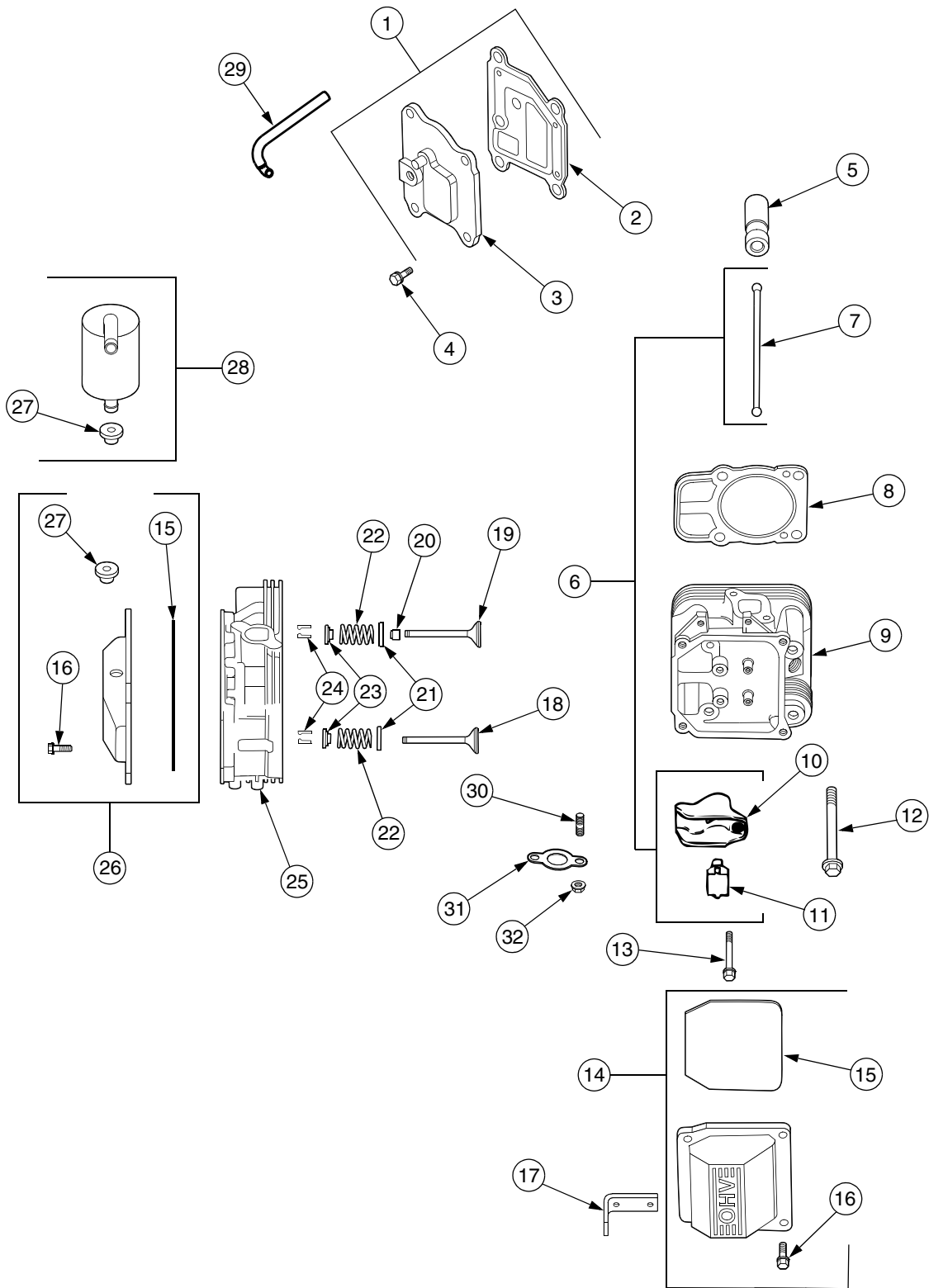
ENGINE CRANKCASE



ENGINE CRANKCASE

REF. NO.	PART NUMBER	DESCRIPTION	QTY.
	KH-CV740-0026	Complete Engine	1
1	KH-24-014-42	Crankshaft	1
2	KH-52-139-09	Plug, Cup	2
3	KH-24-032-01	Seal, Front Oil	1
4	KH-24-782-23	Crankcase, (Use Miniblock)	1
5	KH-24-294-13	Fitting	1
6	KH-24-380-13-S	Pin, Locating Dowel	6
7	KH-24-067-13	Rod, Connecting, Std	2
	KH-24-067-14	Rod, Connection, .010 / .25mm	2
8	KH-24-874-08-S	Piston w/Ring Set, Std	2
	KH-24-874-20-S	Piston w/Ring Set, .010 / .25mm	2
	KH-24-874-21-S	Piston w/Ring Set, .020 / .50mm	2
	KH-24-874-16-S	Piston w/Ring Set, .08mm	2
9	KH-24-108-04-S	Ring Set, Std., .08	2
10	KH-24-018-01	Retainer, Piston Pin	4
11	KH-12-422-09	Shim, Camshaft, .0320 (Red)	AR
	KH-12-422-13	Shim, Camshaft, .0400 (Black)	AR
	KH-12-422-07	Shim, Camshaft, .0280 (White)	AR
	KH-12-422-08	Shim, Camshaft, .0300 (Blue)	AR
	KH-12-422-10	Shim, Camshaft, .0340 (Yellow)	AR
	KH-12-422-11	Shim, Camshaft, .0360 (Green)	AR
	KH-12-422-12	Shim, Camshaft, .0380 (Gray)	AR
12	KH-24-012-18-S	Camshaft Assembly	1
13	KH-M-0545010	Screw, Hex Flng, M5 x 0.8 x 10	1
14	KH-24-018-04	Retainer, Breather Reed	1
15	KH-24-402-05-S	Reed, Breather	1
16	KH-12-153-01-S	O-Ring	1
17	KH-24-126-19	Bracket, Oil Fill Tube	1
18	KH-12-123-04	Tube, Oil Fill	1
19	KH-M-0545016-S	Screw, Hex Flange, M5 x .8 x 16	1
20	KH-12-153-02-S	O-Ring, Upper Oil Fill Tube	1
21	KH-24-038-04-S	Dipstick Assembly	1
22	KH-24-755-46	Kit, Oil Fill Cap	1
23	KH-25-153-02-S	O-Ring, Dipstick	1
24	KH-24-018-09-S	Ring, Retainer	1
25	KH-M-931010-S	Washer, Nylon	1
26	KH-28-032-09-S	Seal, Governor Cross Shaft	1
27	KH-24-468-15-S	Washer, Plain	1
28	KH-24-144-38-S	Shaft, Governor Cross	1
	KH-24-755-113-S	Gasket Set	1

HEAD/VALVE/BREATHER

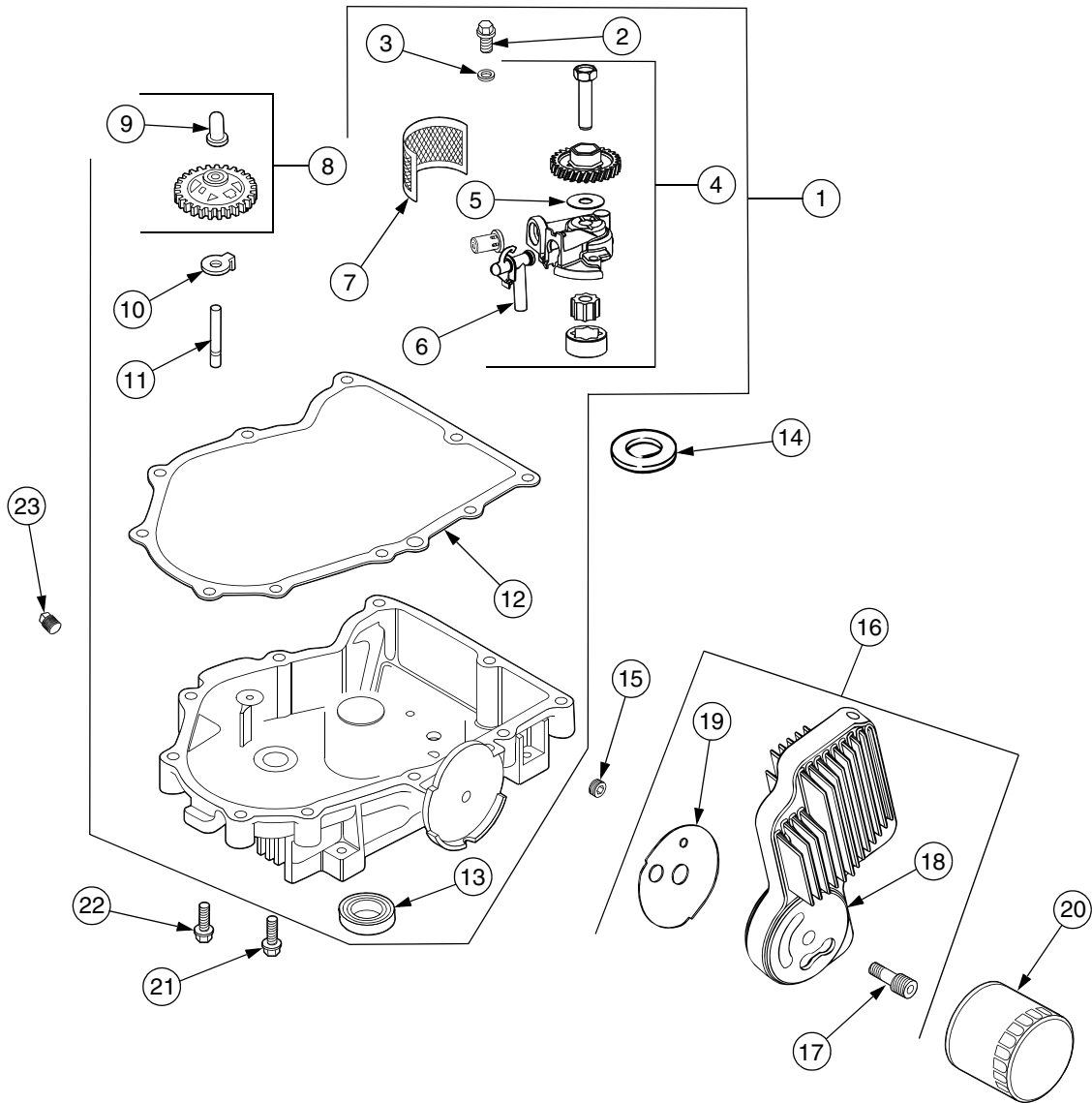


HEAD/VALVE/BREATHER

REF. NO.	PART NUMBER	DESCRIPTION	QTY.
1	KH-24-033-03	Kit, Breather Cover	1
2	KH-24-041-51-S	Gasket, Breather	1
3	KH-24-096-87-S	Cover, Breather	1
4	KH-M-645020-S	Screw, Hx Flange, M6-1.0 x 20	4
5	KH-25-351-01	Lifter, Valve	4
6	KH-24-755-66	Kit, Valve Train	1
7	KH-24-411-05	Rod, Push	4
8	KH-24-841-03-S	Kit, Cylinder Hd Gasket (Includes Head Mtg. Hardware)	2
9	KH-24-318-72-S	Head Assembly, #2 Cylinder	1
10	KH-25-186-01	Arm, Rocker	4
11	KH-24-599-01	Pivot, Rocker Arm	4
12	KH-12-086-16	Screw, Hex Flange	8
13	KH-66-086-07-S	Screw, Hex Flange, M6-1.0 x 34	4
14	KH-24-755-141-S	Kit, Valve Cover	1
15	KH-24-153-28-S	O-Ring	1
16	KH-M-651030-S	Screw, Hex Flange, M6-1.0 x 30	4
17	KH-24-445-01	Strap, Lifting	1
18	KH-24-016-01	Valve, Exhaust, Std	2
	KH-24-016-02	Valve, Exhaust, .010 (25mm)	2
19	KH-24-017-01	Valve, Intake, Std.	2
	KH-24-017-02	Valve, Intake, .010 (25mm)	2
20	KH-66-032-05-S	Seal, Valve Stem	2
21	KH-235011-S	Retainer, Spring	4
22	KH-24-089-02	Spring, Valve	4
23	KH-12-173-01	Cap, Valve Spring	4
24	KH-12-755-03	Kit, Retainer	4
25	KH-24-318-69-S	Head, Cylinder, #1	1
26	KH-24-755-142-S	Kit, Valve Cover	1
27	KH-25-313-03-S	Grommet, Rubber	1
28	KH-24-755-57-S	Kit, Breather Separator	1
29	KH-24-326-74-S	Hose, Breather	1
30	KH-25-072-04	Stud, M8-1.25 x 33	4
31	KH-24-041-49-S	Gasket, Exhaust	2
32	KH-M-0841080	Nut, Muffler Mtg., M8-1.25	4
†	KH-24-755-147-S	Kit, Cylinder Head Hardware	1

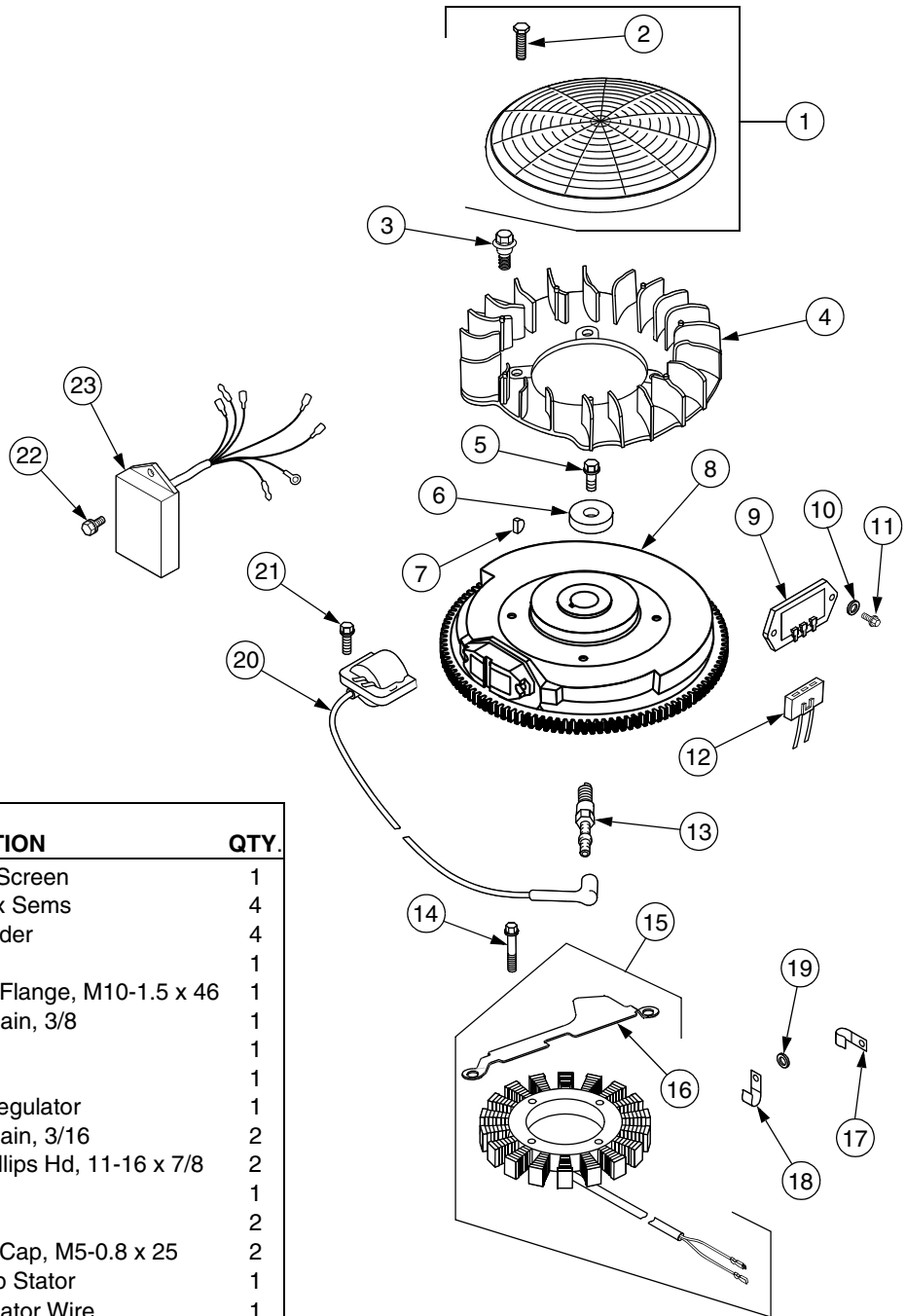
† NOT SHOWN

OIL PAN/LUBRICATION



REF. NO.	PART NUMBER	DESCRIPTION	QTY.	REF. NO.	PART NUMBER	DESCRIPTION	QTY.
1	KH-24-199-21-S	Kit, Oil Pan, Includes 2-13	1	13	KH-52-032-08	Seal, Oil	1
2	KH-M-645025-S	Screw, Hx Flange, M6 -1.0 x 25	2	14	KH-24-422-03-S	Shim, Thrust	1
3	KH-M-631005	Washer, 6mm	2	15	KH-25-139-62-S	Plug, 3/8 Hex Ctsk	1
4	KH-24-393-37-S	Oil Pump Ass'y., Includes 5,6	1	16	KH-24-755-52	Kit, Oil Cooler	1
5	KH-24-153-01	O-Ring,	1	17	KH-24-136-05-S	Nipple, Oil Filter	1
6	KH-24-381-11-S	Tube, Oil Pick-up	1	18	KH-24-594-24-S	Cooler, Oil	1
7	KH-24-162-26-S	Screen, Oil	1	19	KH-24-041-29	Gasket, Oil Filter Adapter	1
8	KH-24-043-12	Kit, Governor Gear	1	20	KH-12-050-08	Filter, Oil	1
9	KH-12-380-01	Pin, Governor Regulating	1	21	KH-24-086-16	Screw, Hx Flange, M8-1.25 x 45	9
10	KH-24-448-02-S	Tab, Locking	1	22	KH-24-086-17	Screw, Hx Flange, M8-1.25 x 45	1
11	KH-12-144-02	Shaft, Governor Gear	1	23	KH-25-139-57-S	Plug, Pipe, 3/8	1
12	KH-24-041-54-S	Gasket, Oil Pan	1				

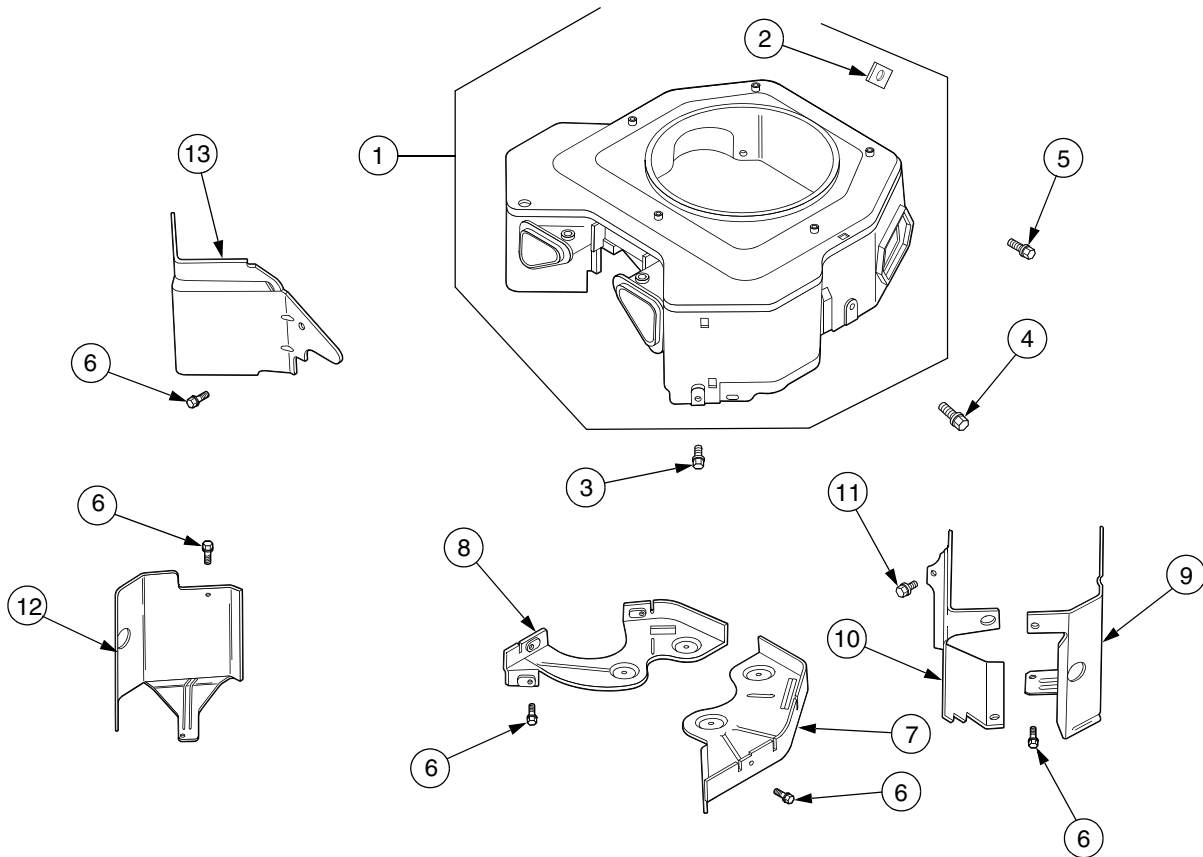
IGNITION/ELECTRICAL



REF. NO.	PART NUMBER	DESCRIPTION	QTY.
1	KH-24-755-79	Kit, Grass Screen	1
2	KH-25-086-117-S	Screw, Hex Sems	4
3	KH-25-086-47	Bolt, Shoulder	4
4	KH-24-157-08-S	Fan	1
5	KH-12-086-14	Screw, Hx Flange, M10-1.5 x 46	1
6	KH-12-468-03	Washer, Plain, 3/8	1
7	KH-X-42-15	Key	1
8	KH-24-025-15-S	Flywheel	1
9	KH-41-403-09	Rectifier-Regulator	1
10	KH-X-25-92	Washer, Plain, 3/16	2
11	KH-24-086-18	Screw, Phillips Hd, 11-16 x 7/8	2
12	KH-236602-S	Connector	1
13	759-3336	Spark Plug	2
14	KH-M-548025-S	Screw, Hx Cap, M5-0.8 x 25	2
15	KH-54-755-09-S	Kit, 15 Amp Stator	1
16	KH-24-126-139-S	Bracket, Stator Wire	1
17	KH-47-154-01	Clip, Cable	2
18	KH-48-154-02	Clip, Cable	1
19	KH-X-25-63	Washer, Plain, 1/4	1
20	KH-24-584-36-S	Module, Ignition	2
21	KH-M-0545020	Screw, Hx Flange, M5-0.8 x 20	4
22	KH-24-584-31-S	Module, Speed Advance	1
23	KH-M-448010	Screw, M4 x 0.7 x 10	2
†	KH-24-176-81-S	Harness, Wire	1
†	KH-24-126-137-S	Bracket, Ground Strap	1
†	KH-25-454-03-S	Tie, Wire	3

† NOT SHOWN

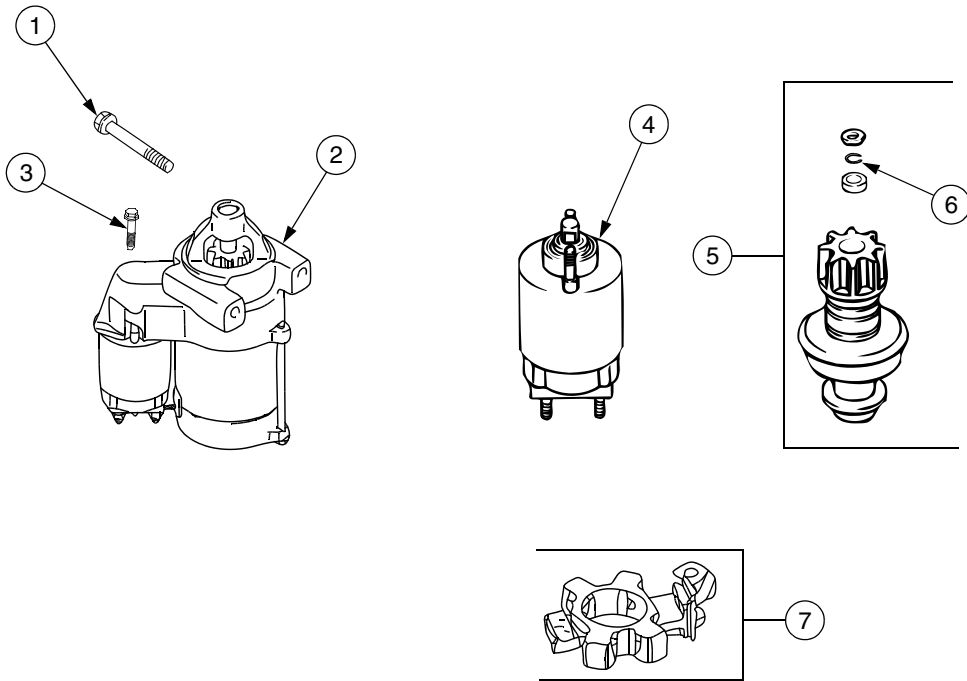
BLOWER HOUSING



REF. NO.	PART NUMBER	DESCRIPTION	QTY.
1	KH-24-027-114-S	Housing, Blower	1
2	KH-24-100-01	Nut, Plastic	2
3	KH-M-0545020	Screw, Hx Flange, M5-0.8 x 20	4
4	KH-M-545016-S	Screw, Hx Flange, M5-0.8 x 16	2
5	KH-M-551016-S	Screw, Hx Flange, M5-0.8 x 16	1
6	KH-M-645016-S	Screw, Hx Flange, M6-1.0 x 16	6
7	KH-24-146-18-S	Plate, Backing, #2 Side	1
8	KH-24-146-20-S	Plate, Backing, #1 Side	1
9	KH-24-063-39-S	Baffle, Cylinder Barrel, #2 Side	1
10	KH-24-063-69-S	Baffle, Valley, #2 Side	1
11	KH-M-545010	Screw, Hx Flange, M5-0.8 x 10	2
12	KH-24-063-58-S	Baffle, Cylinder Barrel, #1 Side	1
13	KH-24-063-60-S	Baffle Valley, #1 Side	1
†	KH-24-096-85-S	Cover, Blower Housing	1
†	KH-25-086-91-S	Screw, Tapping	1

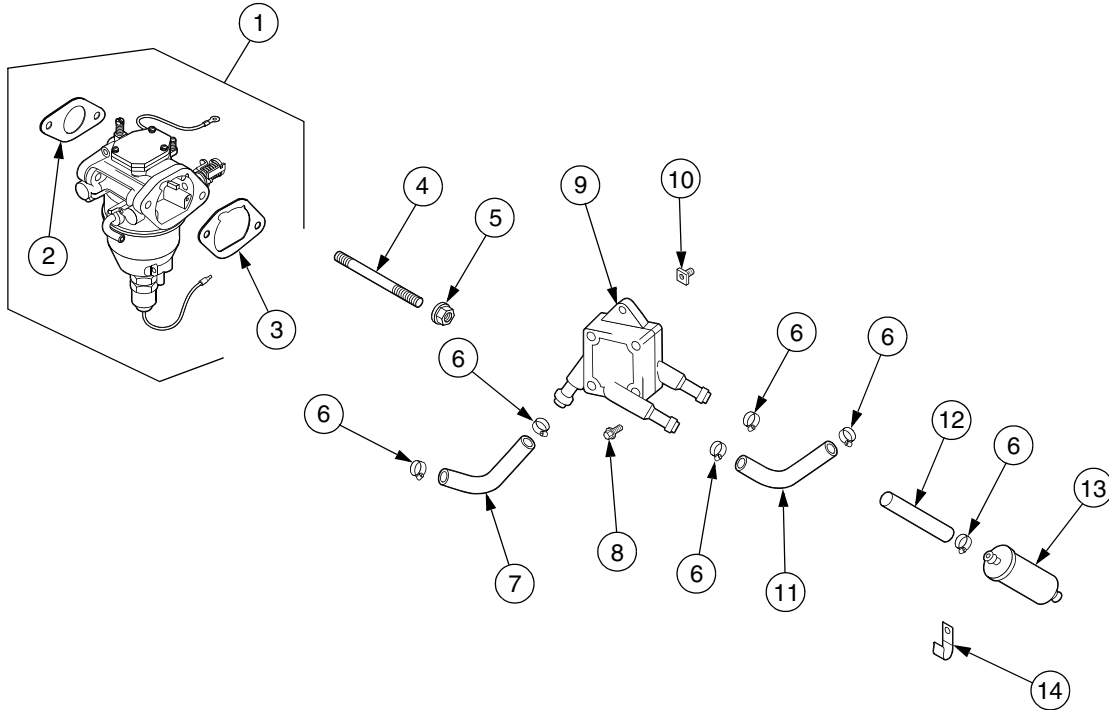
† NOT SHOWN

STARTER



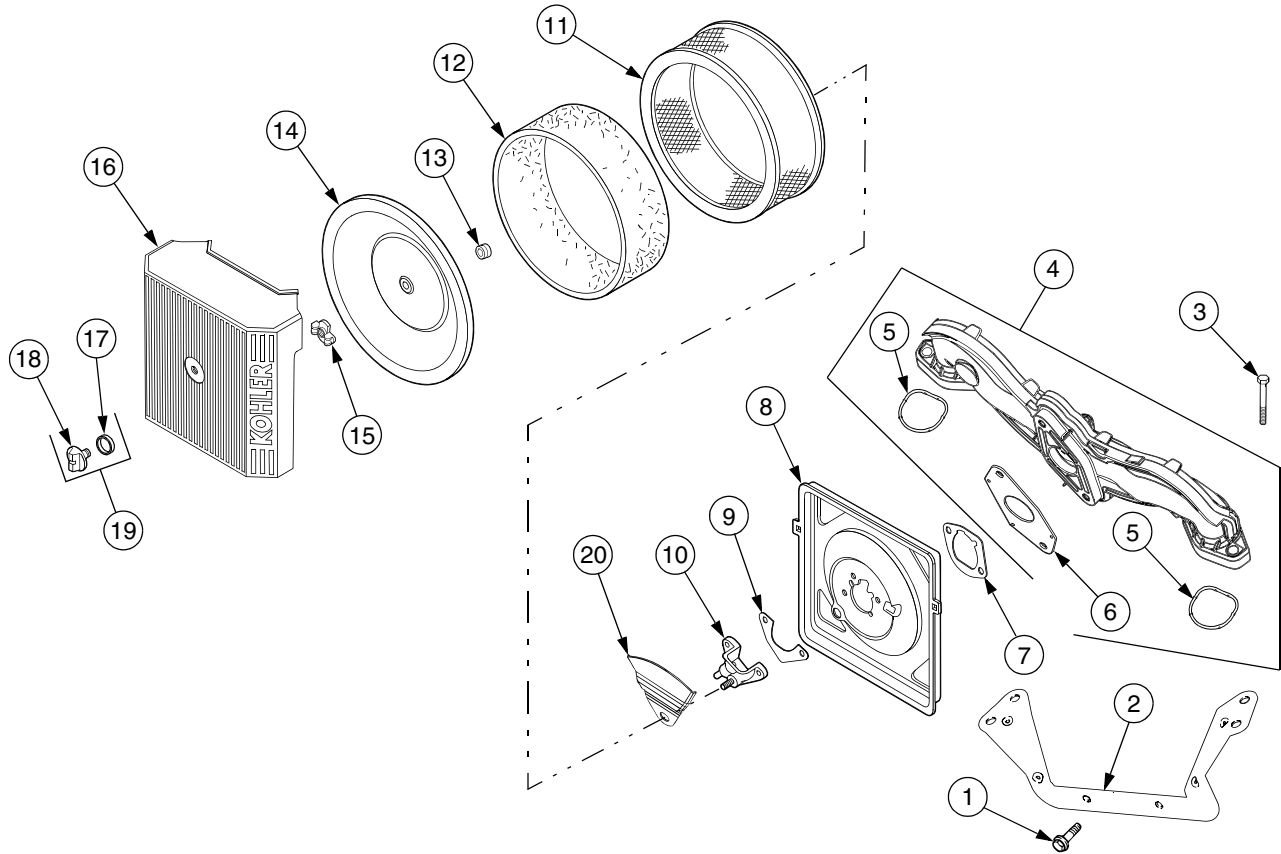
REF. NO.	PART NUMBER	DESCRIPTION	QTY.
1	KH-M-839080-S	Screw, Hx Flange, M8-1.25 x 80	2
2	KH-25-098-09-S	Starter, Solenoid Shift	1
3	KH-25-086-113-S	Screw, Torx Hd	3
4	KH-25-435-05-S	Kit, Solenoid	1
5	KH-25-755-33-S	Kit, Starter Pinion	1
6	KH-25-141-05-S	Ring	1
7	KH-25-221-01-S	Kit, Brush	1

CARBURETOR/FUEL SYSTEM



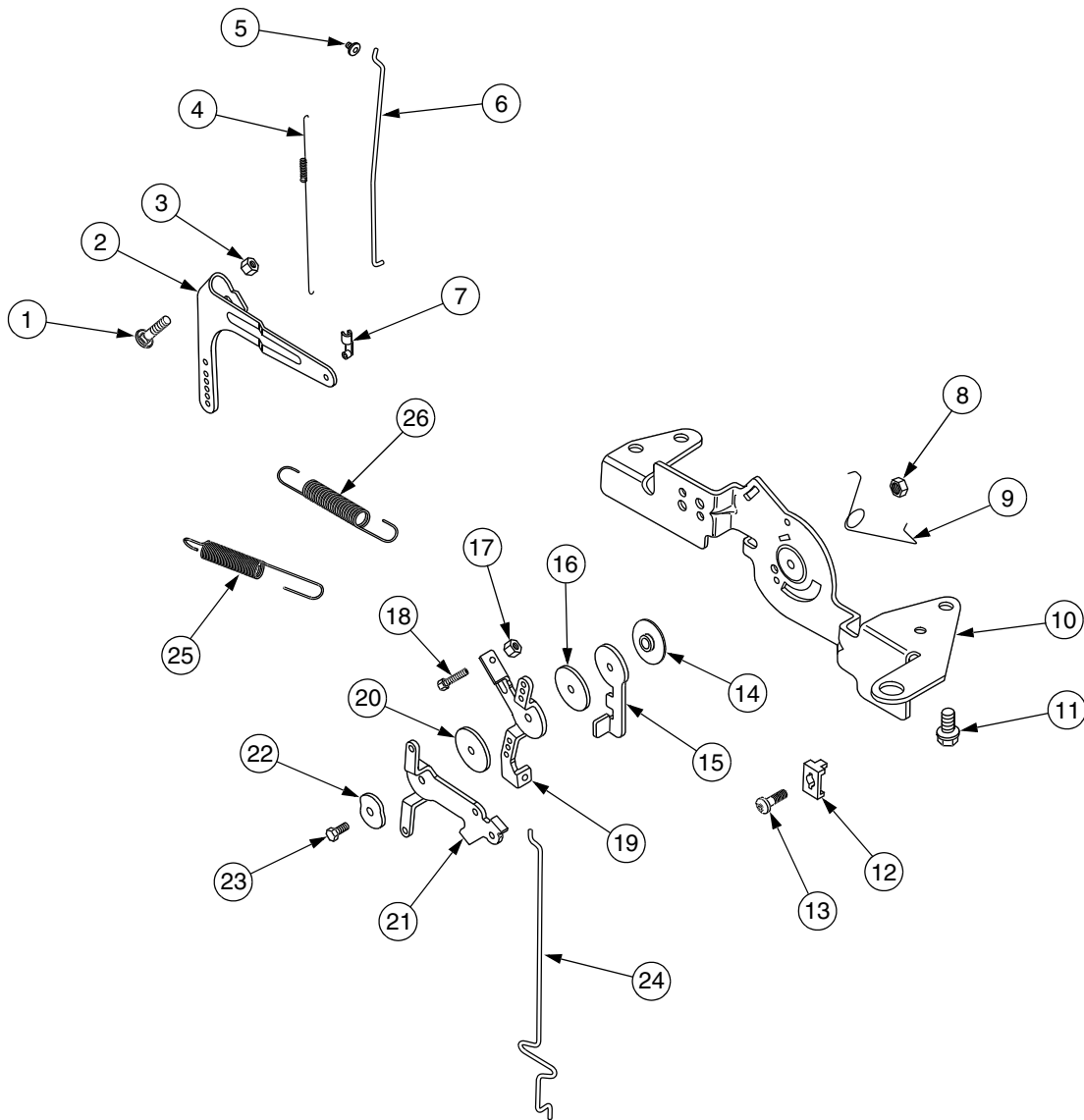
REF. NO.	PART NUMBER	DESCRIPTION	QTY.
1	KH-24-853-102-S	Kit, Carburetor w/Gaskets	1
2	KH-24-041-52-S	Gasket, Carburetor	1
3	KH-24-041-14	Gasket, Air Cleaner Base	1
4	KH-M-629095-S	Stud, Intake Manifold	2
5	KH-M-641060-S	Nut, Hex Flange, M6-1.0	2
6	KH-25-237-14-S	Clamp, Hose	6
7	KH-24-353-12	Line, Fuel, 11"	1
8	KH-24-086-12	Screw, Hex Cap, M6-1.7 x 18	2
9	KH-24-393-16	Pump, Pulse Fuel	1
10	KH-24-100-01	Nut, Plastic	2
11	KH-15-353-04	Line, Fuel, 11-1/2	1
12	KH-25-353-03-S	Line, Fuel, 13-3/4	2
13	KH-24-050-10-S	Filter, Fuel	1
14	KH-47-154-01-S	Clip, Cable	1
		NOT SHOWN	
	KH-25-153-05-S	O-Ring, Heavy Duty Air Cleaner	1
	KH-24-234-02-S	Chamber, Float	1
	KH-24-431-01-S	Sleeve, Insulating	1
	KH-24-757-18-S	Kit, Overhaul w/Gaskets	1
	KH-24-757-19	Kit, Choke Repair w/Gaskets	1
	KH-24-757-20	Kit, Gasket	1
	KH-24-757-21-S	Kit, Accelerator Pump, w/Gaskets	1
	KH-24-757-22	Kit, Solenoid, w/Gaskets	1

AIR INTAKE/FILTRATION



REF. NO.	PART NUMBER	DESCRIPTION	QTY.
1	KH-M-0545010	Screw, Hx Flange, M5-0.8 x 10	2
2	KH-24-126-130-S	Bracket, Air Cleaner Base	1
3	KH-M-651040-S	Screw, Hx Flange, M6-1.0 x 40	4
4	KH-24-164-51-S	Manifold, Intake	1
5	KH-24-153-27-S	O-Ring, Intake Port	2
6	KH-24-041-52-S	Gasket, Intake Manifold	1
7	KH-24-041-14	Gasket, Air Cleaner Base	1
8	KH-24-094-34-S	Base, Air Cleaner	1
9	KH-24-041-13-S	Gasket, Fuel Spit-back Cup	1
10	KH-24-109-25-S	Cup, Spit-back w/Stud	1
11	KH-24-083-03-S	Element, Air Cleaner	1
12	KH-24-083-05-S	Element, Precleaner	1
13	KH-231032	Seal, Breather	1
14	KH-24-096-01	Cover, Inner Air Cleaner	1
15	KH-12-100-01	Nut, Wing	1
16	KH-24-096-67-S	Cover, Air Cleaner	1
17	KH-54-755-01-S	Kit, Knob w/Seal	1
18	KH-24-153-20-S	O-Ring	1
19	KH-25-341-04-S	Knob, Cover	1
20	KH-24-063-51-S	Baffle, Fuel Spit-back	1

ENGINE CONTROLS



REF. NO.	PART NUMBER	DESCRIPTION	QTY.	REF. NO.	PART NUMBER	DESCRIPTION	QTY.
1	KH-24-211-03-S	Bolt, Round Hd, M6-1.0 x 25	1	14	KH-24-112-27-S	Spacer, Control Assembly	1
2	KH-24-090-33-S	Lever, Governor	1	15	KH-24-090-47-S	Lever, Throttle Actuator	1
3	KH-M-641060-S	Nut, Hex Flange, M6-1.0	1	16	KH-24-468-20-S	Washer, Plain	1
4	KH-24-089-01	Spring, Linkage	1	17	KH-M-446030-S	Nut, Hex M4 x 0.7	1
5	KH-25-158-08	Bushing, Linkage Retaining	1	18	KH-M-403025	Screw, Hex. Hd, M4-0.7 x 25	1
6	KH-24-079-04	Linkage, Throttle	1	19	KH-24-090-13	Lever, Throttle Control	1
7	KH-25-158-11	Bushing, Throttle Linkage	2	20	KH-24-468-01	Washer, Plain	1
8	KH-M-547050-S	Nut, Hex Lock	1	21	KH-24-090-05	Lever, Choke	1
9	KH-24-089-03	Spring, Choke Return	1	22	KH-41-468-03	Washer, Wave	1
10	KH-24-126-56	Bracket, Control	1	23	KH-M-545020-S	Screw, Hx Flange, M5-0.8 x 20	1
11	KH-M-645016-S	Screw, Hex Flange	4	24	KH-24-079-22-S	Linkage, Choke	1
12	KH-47-237-02	Clamp, Bowden	1	25	KH-24-089-55-S	Spring, Governor	1
13	KH-24-086-43-S	Screw, Thread Forming	1	26	KH-24-089-25-S	Spring, Governor	1