

# *Cub Cadet*<sup>®</sup>

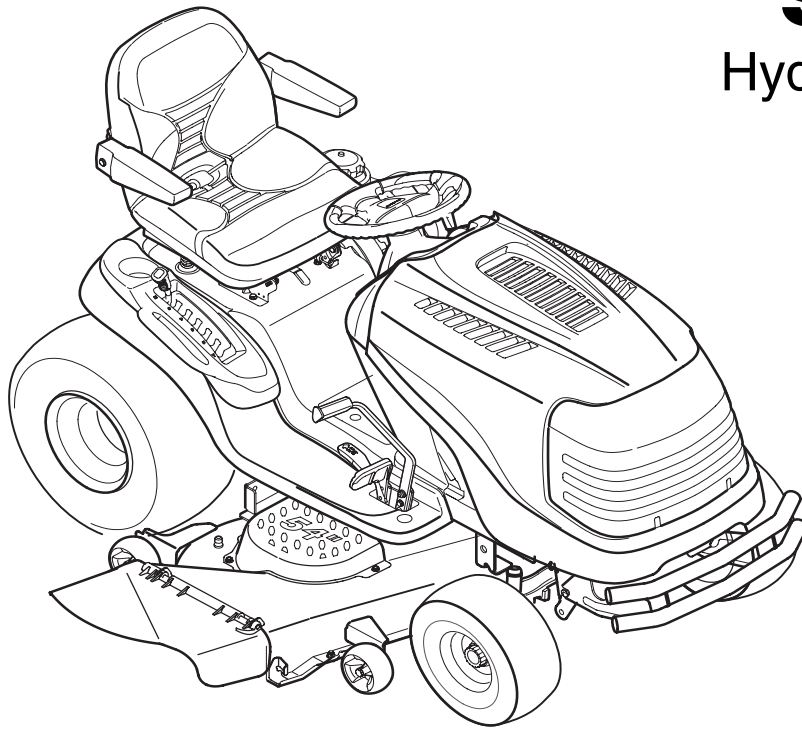
## Parts Manual

### **SERIES 1500**

Hydrostatic Lawn Tractor

Models SLT1550

SLT1554



**CUB CADET LLC, P.O. BOX 361131 CLEVELAND, OHIO 44136-0019**

PRINTED IN U.S.A.

FORM NO. 769-01652D  
(10/19/2005)

# SERIES 1500 HYDROSTATIC LAWN TRACTORS

## TABLE OF CONTENTS

DESCRIPTION	PAGE	DESCRIPTION	PAGE
Axle, Front .....	6	Engine Accessories .....	13
Battery .....	16	Fender .....	9
Brake Pedal .....	12	Frame .....	8
Deck, 50-inch.....	18	Fuel Tank .....	9
Deck, 54-inch.....	20	Head Lamp .....	14
Dash Panel .....	16	Hood .....	14
Drive System .....	4	Lift Linkage .....	10
Engine		Muffler .....	13
Air Intake/Filtration.....	24	PTO .....	15
Blower Housing & Baffles .....	25	Seat .....	11
Crankcase .....	26	Steering .....	6
Cylinder Head.....	28	Transmission, Hydrostatic .....	22
Engine Controls .....	30	Wheels, Front & Rear .....	3
Exhaust.....	29		
Fuel System.....	32		
Ignition / Electrical .....	33		
Oil Pan / Lubrication .....	34		
Starting System .....	35		

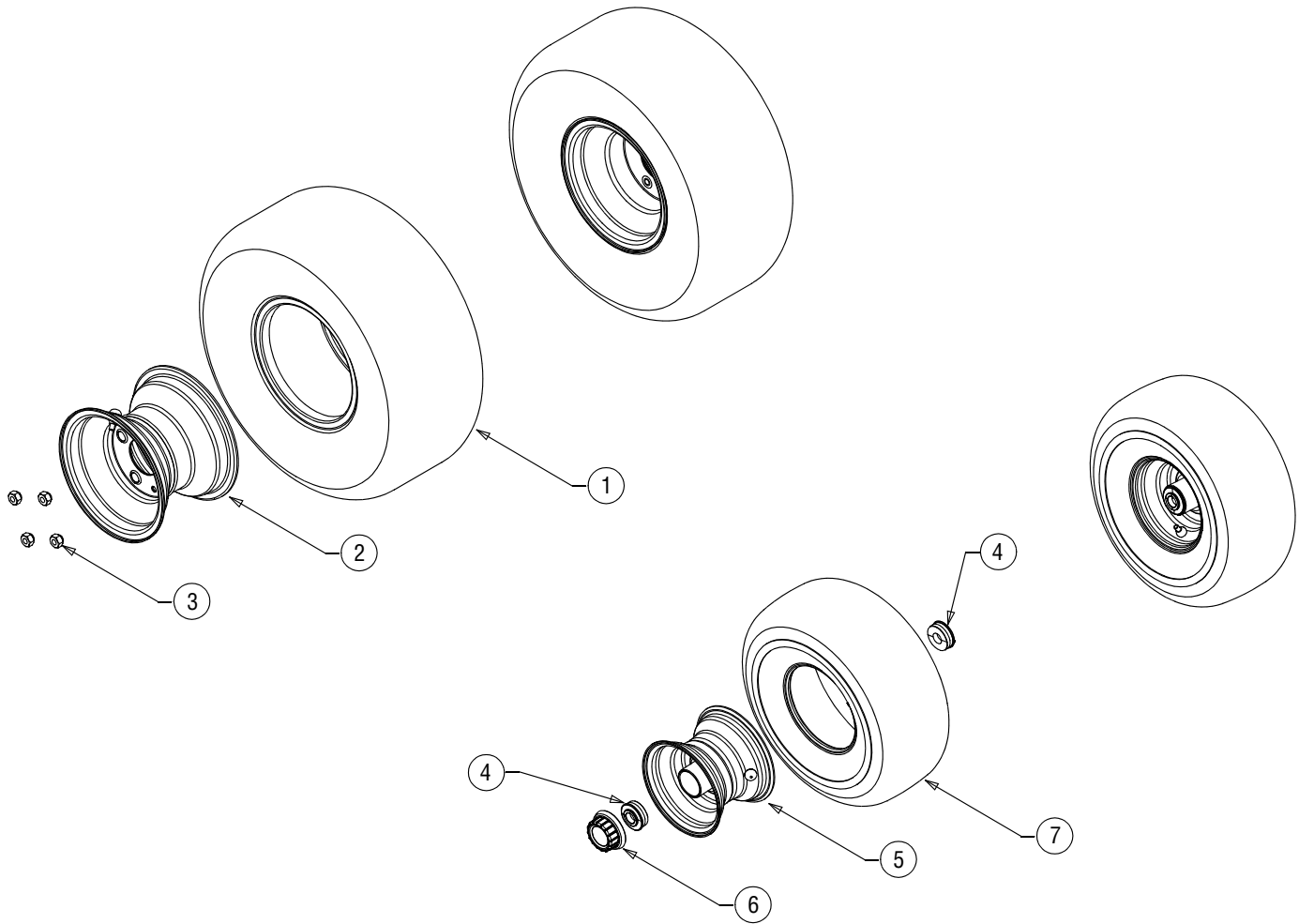
**NOTE,** For **painted parts**, please refer to the list of color codes below. Please add the applicable color code, wherever needed, to the part number to order a replacement part. For instance, if a part, numbered 700-xxxx, is painted Cub Yellow, the part number to order would be 700-xxxx-0716.

Cub Yellow: 0716

Cub Beige: 0499

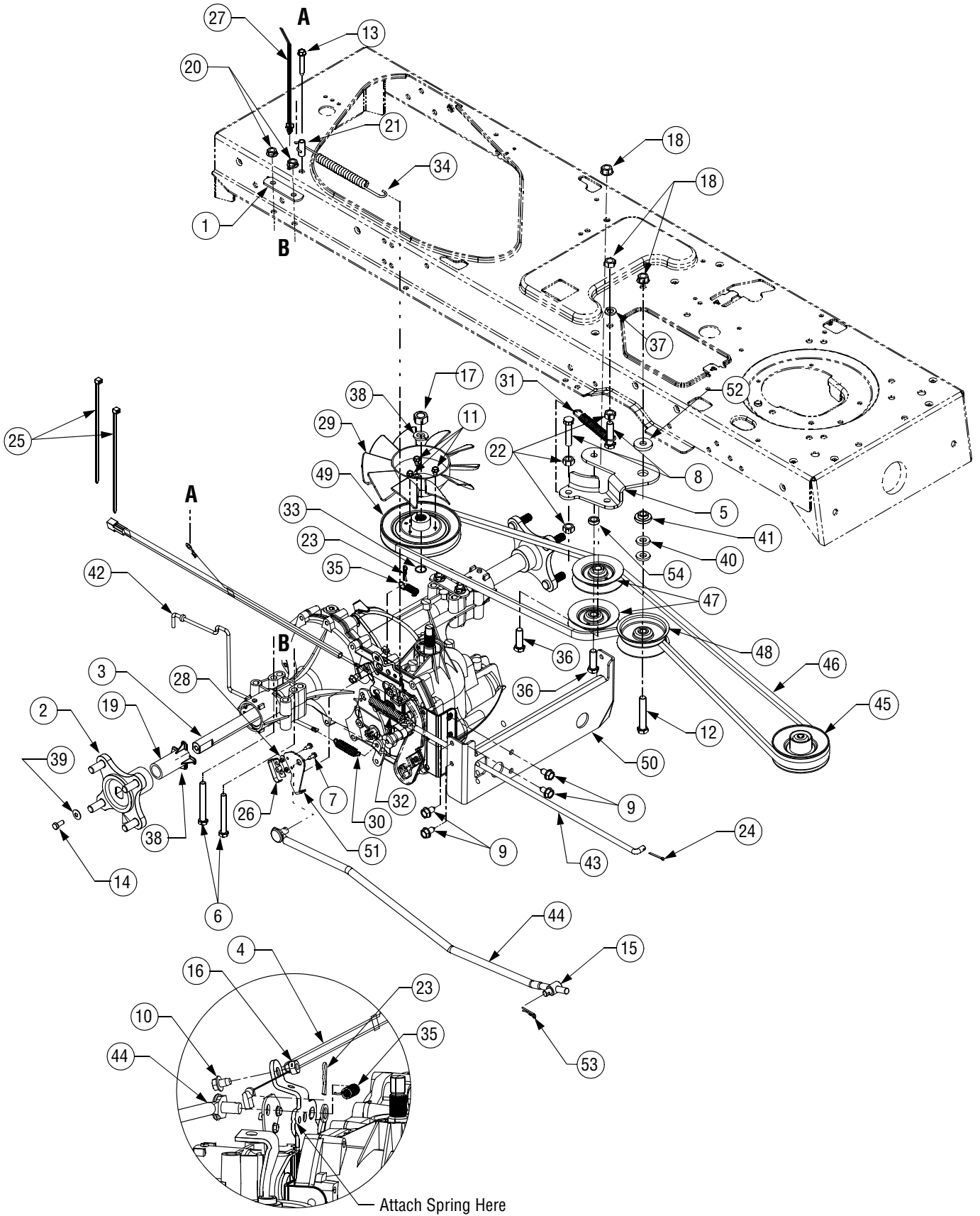
Powder Black: 0637

## WHEELS



REF. NO.	PART NUMBER	DESCRIPTION	QTY.
1	734-04174	Tire, Turf, 22 x 9.5 x 12	2
2	634-04238	Rim Assembly, 12 x 7	2
3	712-3050	Lug Nut, 7/16-14	8
4	741-3032	Bearing, Ball, .75 ID x 1.75 OD	4
5	634-04104A	Rim Assembly, 6 x 4.5 (Included, Bearings, Spacer and Valve)	2
6	731-3020	Hub Cap	2
7	734-1731	Tire, Turf, 15 x 6 x 6	2
—	737-0224	Grease Fitting	2
—	734-0255	Valve, Tubeless Air	4

# DRIVE SYSTEM

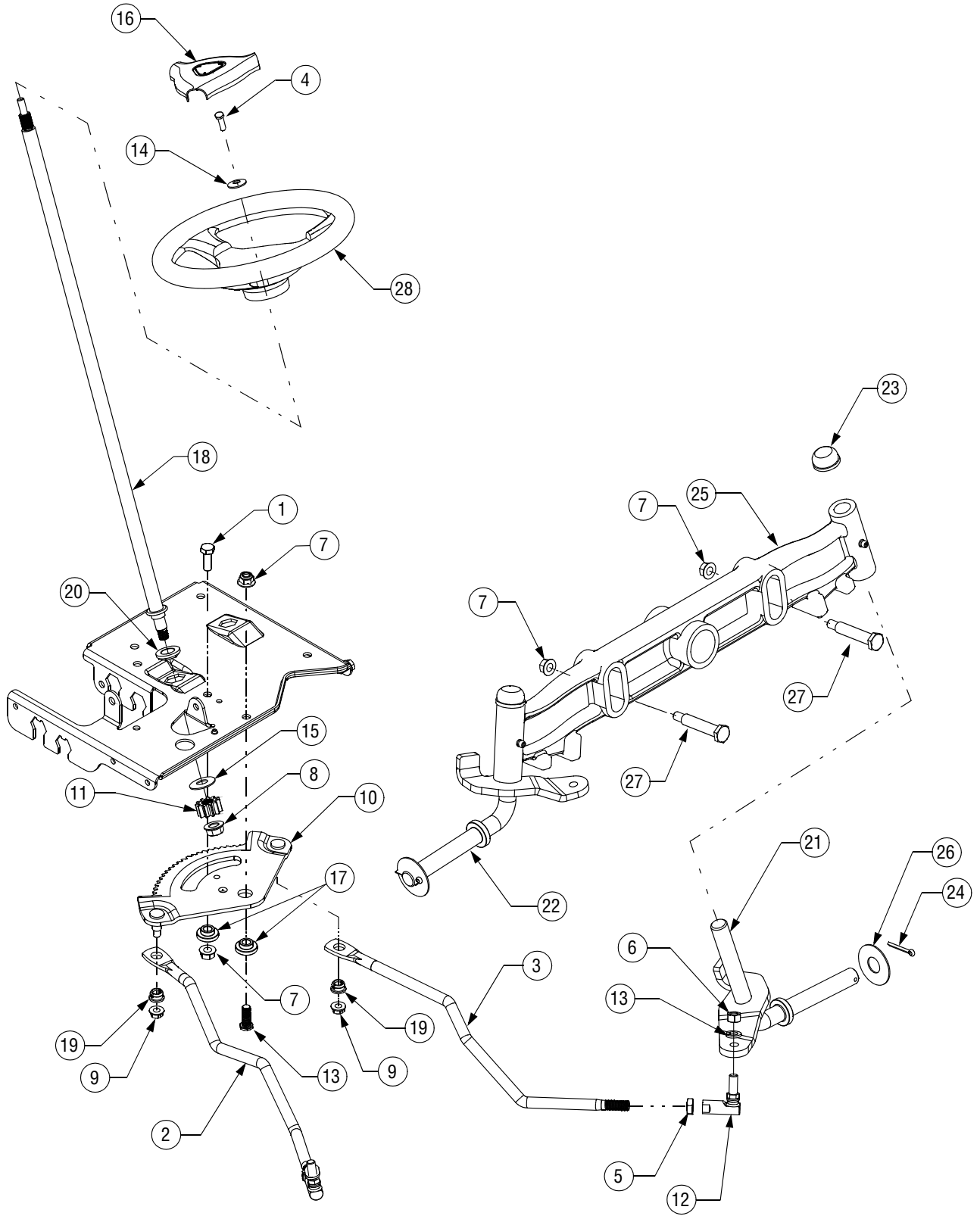




## DRIVE SYSTEM

REF. NO.	PART NUMBER	DESCRIPTION	QTY.
1	17840	Bracket, Mounting, Transaxle	2
2	618-04228	Hub Assembly, Wheel	2
3	618-04270A	Transmission, Hydrostatic	1
4	629-04124	Harness Assembly, Ground & Reverse	1
5	783-04442	Bracket Assembly, Idler, Center Dbl	1
6	710-1266	Hex Cap Screw, 5/16-18,3.5, Gr5	4
7	710-0227	Screw, #8-18, 0.500	2
8	710-0344	Hex Cap Screw, 3/8-16, 1.50, Gr5	3
9	710-0726	Screw, 5/16-12, 0.75	6
10	710-0599	Screw, 1/4-20, 0.5	1
11	710-3007	Screw, #12-24, 0.375	3
12	710-3011	Hex Cap Screw, 3/8-16, 2.25, Gr5	1
13	710-0778	Hex Cap Screw, 1/4-20, 1.5, Gr5	1
14	710-0627	Hex Cap Screw, 5/16-24 x .750	2
15	711-0832	Ferrule, 3/8-24 x .375 Dia	1
16	712-0291	Nut, Hex Lock, 1/4-20	1
17	712-3066	Nut, Hex, 1/2-20, Gr5	1
18	712-04065	Nut, Nylon Lock, 3/8-16	4
19	731-05300	Sleeve, 2.4"	2
20	712-04052	Nut, Nylon Lock, 5/16-18, Gr5	5
21	750-0566A	Spacer, 1"	1
22	712-3017	Nut, Hex, 3/8-16, Gr8	3
23	714-0104	Pin, Cotter, .072 Dia. x 1.13 Lg	2
24	714-0111	Pin, Cotter, 3/32, 1.0	1
25	725-0157	Cable, Tie, 3/16 x .05 x 7.4	2
26	725-1644	Switch, Spring, Short	1
27	726-0154	Tie, Cable, Push Mount 7.5 Lg	2
28	726-0320	Plate, Insulator Nut	1
29	731-1449A	Fan, Blade, 10"	1
30	732-0209	Spring, .48 OD x 2.03 Extension	1
31	732-04323A	Spring, Extension, .563 Dia x 3.72 Lg	1
32	732-0716	Spring, Extension, .59 OD x 4.00 Lg	1
33	732-0729	Ring, Wire	1
34	732-0994	Spring, Extension, .500 Dia x 7.0	1
35	732-3118	Spring, Extension, 3/8 OD x 1.44	1
36	710-0502A	Screw, 3/8-16, 1.25	1
37	736-0169	Washer, Lock, 3/8, Regular Duty	1
38	736-0921	Washer, Lock, 1/2	1
39	736-0242	Bell Washer	2
40	736-3010	Washer, Flat, .407 x .812 x .135	3
41	738-0372B	Spacer, Shoulder, 1.00 x .38 x .38	1
42	747-1149	Rod, Hydro Bypass	1
43	747-04139	Rod, Brake, Hydro	1
44	747-1151	Rod, Control, Hydro	1
45	756-0978A	Pulley, Engine, 3.56 Dia.	1
46	754-0461	Belt, V Type, Poly	1
47	756-0116A	Pulley, Idler, V Type x 3.06 Dia	2
48	756-04224	Pulley, Idler, Flat 2.75 OD	1
49	756-04111	Pulley, Engine, 4.11Dia.	1
50	783-0810B	Bracket, Transmission, Torque Hydro	1
51	783-1019	Bracket, Actuator, Switch	1
52	736-0320	Washer, Flat, .38 x 1.92 x .060	1
53	714-0507	Pin, Cotter, 3/32, .750	1
54	750-0535	Spacer, .38 x .625 x .21	1

# STEERING

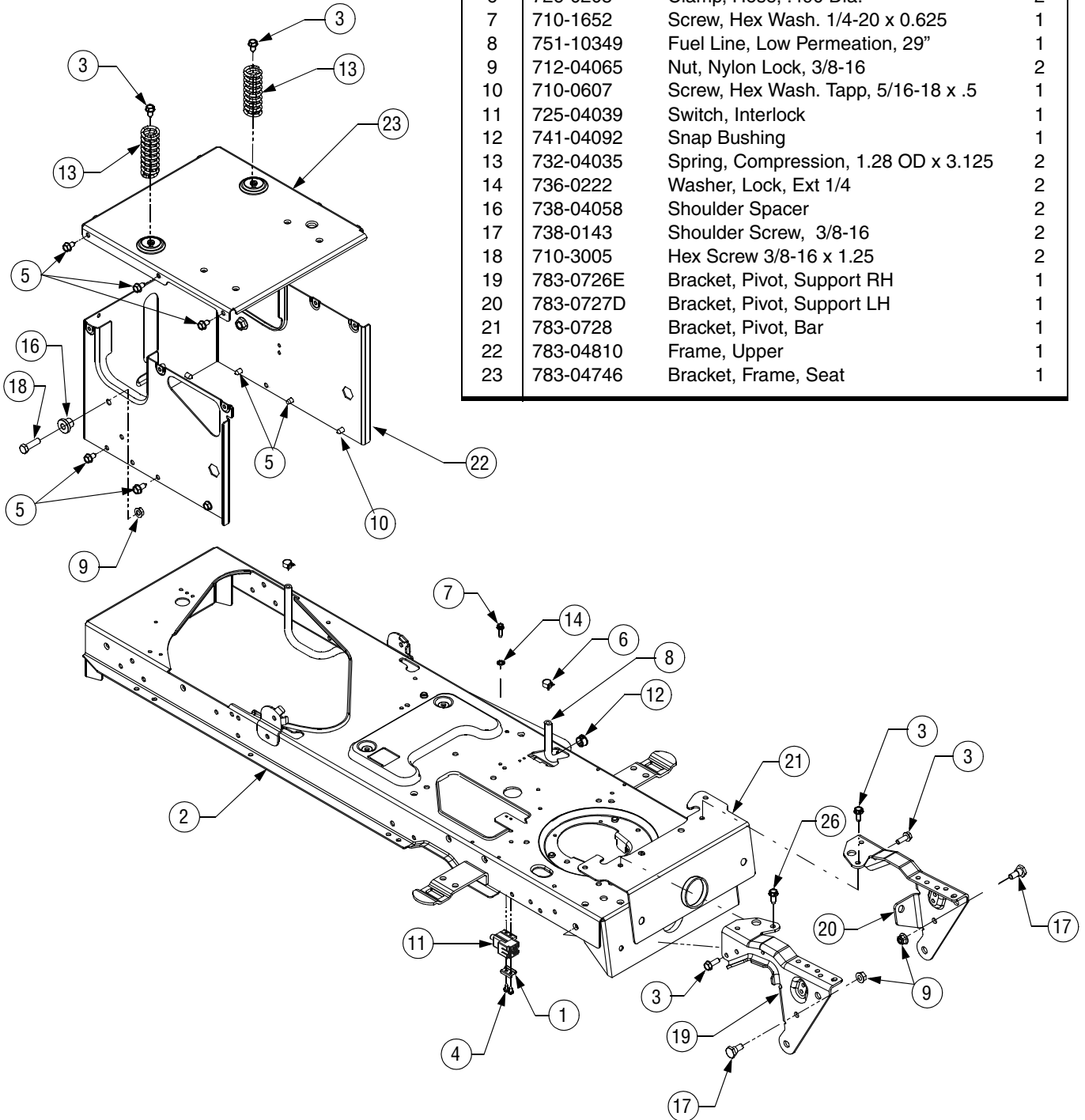


## STEERING

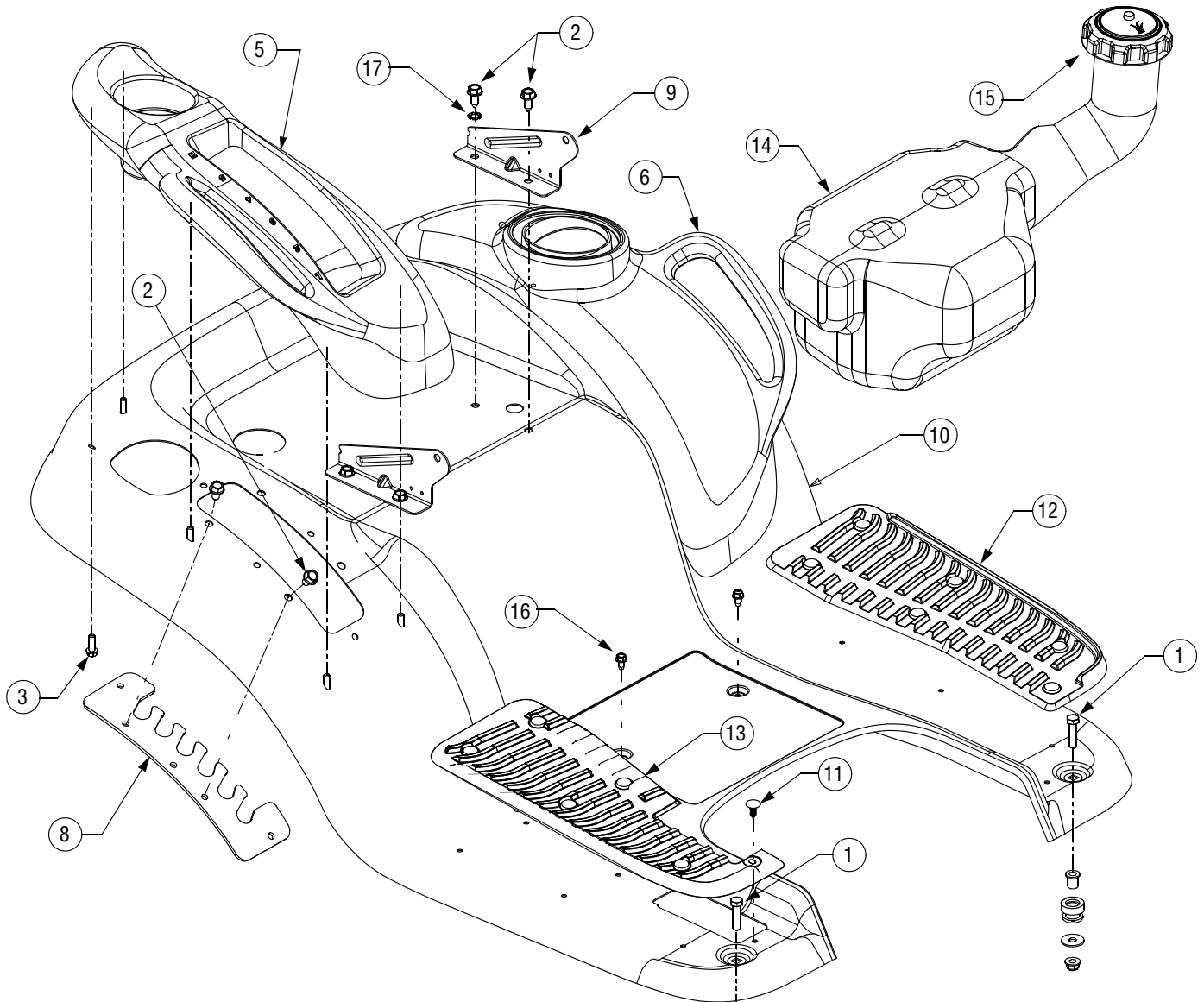
REF. NO.	PART NUMBER	DESCRIPTION	QTY.
1	710-0514	Hex Cap Screw, 3/8-16, 1.00, Gr5, Std	1
2	711-1408	Link, Drag, RH	1
3	711-1409A	Link, Drag, LH	1
4	710-1260	Self-tapping Screw, 5/16-18 x .75	1
5	712-0240	Nut, Jam, 7/16-20, Gr2	2
6	712-0214	Nut, Hex, 3/8-24, Gr5	2
7	712-04065	Nut, Nylon Lock, 3/8-16	4
8	712-0459	Nut, Flange Lock, 7/16-20	1
9	712-3004A	Nut, Flange Lock, 5/16-18	2
10	717-1550E	Gear, Steering, 11/90 Ratio	1
11	717-1554	Gear, Pinion, Steering	1
12	723-0448A	Ball Joint, 7/16-20	2
13	710-04095	Hex Cap Screw, 3/8-16, 1.00	1
14	736-3004	Washer, Flat, .406 x .875 x .105	1
15	736-3084	Washer, Flat, .510 x 1.120 x .060	1
16	731-04532	Cover, Steering Wheel	1
17	738-04154	Spacer, Shoulder, 1.00 x .38 x .38	2
18	738-04075	Shaft, Steering, .625 OD x 25.00 Lg	1
19	741-0475	Bushing, Plastic, .380 ID	2
20	741-0656A	Bearing, Hex Flange, 5/8	1
21	683-04103	Axle Ass'y, LH .750 Dia	1
22	683-04104	Axle Ass'y, RH .750 Dia	1
23	726-0341	Push Cap, .75	2
24	714-04039	Pin, Cot, 5/32, 1.25	2
25	719-04105	Axle, Pivot, Cast .750 Dia	1
26	736-0866	Washer, Flat, .755 x 1.92 x .060	2
27	738-1011A	Screw, Shoulder, .500 x 2.230, 3/8-16	2
28	631-04008A	Wheel, Steering, Three Spoke	1

# FRAME

REF. NO.	PART NUMBER	DESCRIPTION	QTY.
1	17962	Plate, Switch	1
2	683-04173	Frame Assembly, Lower	1
3	710-1260A	Screw, Self-tapping, 5/16-12, 0.75	6
4	710-0224	Screw, Hex Wash. Hd. Tapp, 10-16 x .5	2
5	710-0726	Screw, Self-tapping, 5/16-18, 0.75	7
6	726-0205	Clamp, Hose, .490 Dia.	2
7	710-1652	Screw, Hex Wash. 1/4-20 x 0.625	1
8	751-10349	Fuel Line, Low Permeation, 29"	1
9	712-04065	Nut, Nylon Lock, 3/8-16	2
10	710-0607	Screw, Hex Wash. Tapp, 5/16-18 x .5	1
11	725-04039	Switch, Interlock	1
12	741-04092	Snap Bushing	1
13	732-04035	Spring, Compression, 1.28 OD x 3.125	2
14	736-0222	Washer, Lock, Ext 1/4	2
16	738-04058	Shoulder Spacer	2
17	738-0143	Shoulder Screw, 3/8-16	2
18	710-3005	Hex Screw 3/8-16 x 1.25	2
19	783-0726E	Bracket, Pivot, Support RH	1
20	783-0727D	Bracket, Pivot, Support LH	1
21	783-0728	Bracket, Pivot, Bar	1
22	783-04810	Frame, Upper	1
23	783-04746	Bracket, Frame, Seat	1

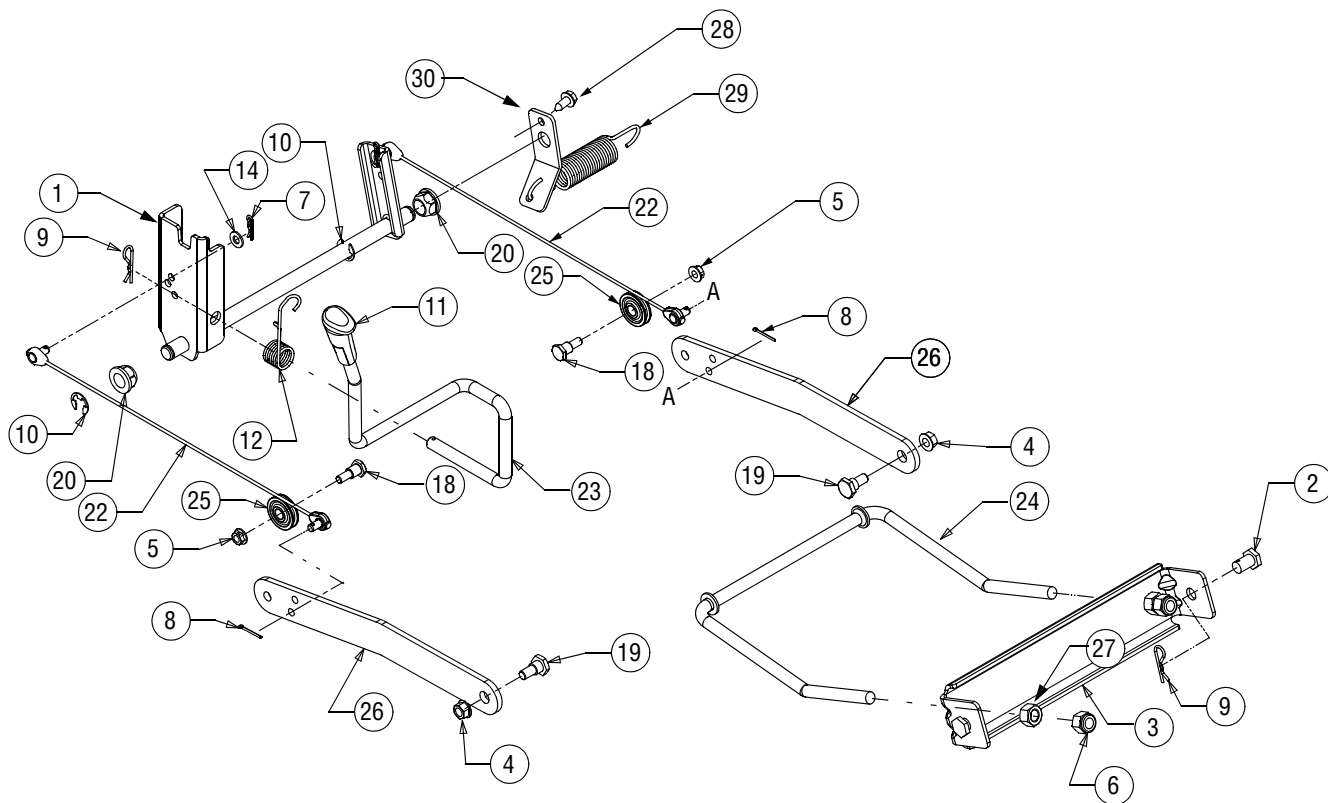


## FENDER & FUEL TANK



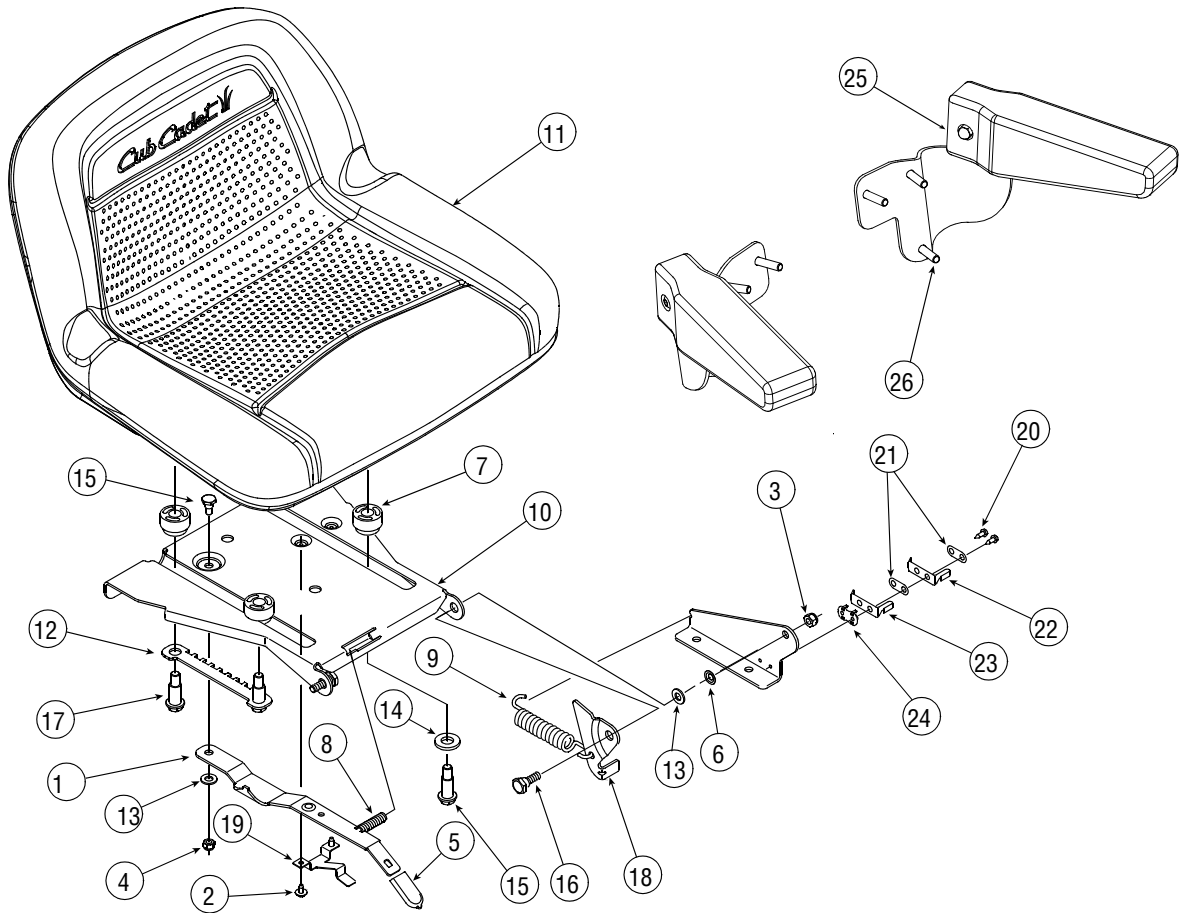
REF. NO.	PART NUMBER	DESCRIPTION	QTY.
1	710-0528	Screw, 5/16-18 x 1.25	2
2	710-0726	Screw, 5/16-12, 0.75	8
3	710-0895	Screw, 1/4-15, 0.750	9
4	712-04063	Nut, Nylon Lock, 5/16-18	2
5	731-2616A	Cover, Fender, RH	1
6	731-2617	Cover, Fender, LH	1
7	736-3078	Washer, Flat, .349 x 1.00 x .063	2
8	783-0677B	Bracket, Lift, Adjustment	1
9	783-1489A	Bracket, Seat, Mount	2
10	783-04477	Fender	1
11	726-3046	Clip, Ratchet, .250 Dia	12
12	735-0697A	Pad, Foot, LH	1
13	735-0698B	Pad, Foot, RH	1
14	751-0819B	Tank, Fuel	1
15	751-3124B	Cap, Fuel	1
16	710-0599	Screw, Self-tapping, 1/4-20, 0.500	2
17	736-0607	Washer, Lock, 5/16 External Tooth	1
18	735-0690	Grommet	2
19	750-3310	Flange Spacer, .3125 x .4375 x .625	2

## LIFT ASSEMBLY



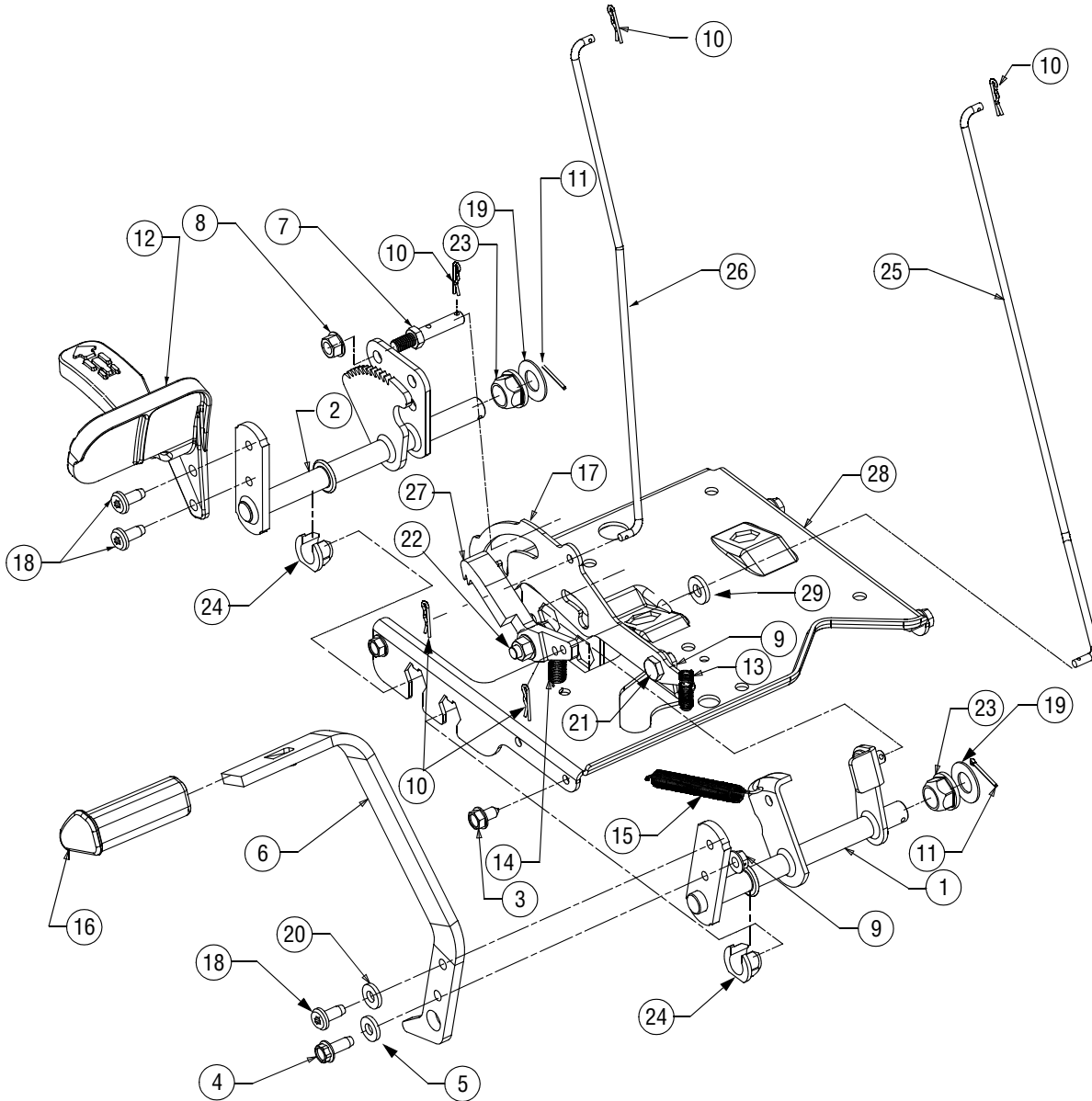
REF. NO.	PART NUMBER	DESCRIPTION	QTY.
1	683-04079	Shaft Assembly, Lift (Model SLT 1550)	1
	683-04118	Shaft Assembly, Lift (Model SLT 1554)	1
2	711-0332	Pin, Clevis, .50 Dia x .78 Lg	2
3	783-0720A	Bracket, Deck	1
4	712-04065	Nut, Nylon Lock, 3/8-16	2
5	712-04063	Nut, Nylon Lock, 5/16-18, Gr5	2
6	712-3083	Nut, Hex Lock, 1/2-13, Gr8, Nylon	2
7	714-0104	Pin, Cotter, .072 Dia. x 1.13 Lg	2
8	714-0111	Pin, Cotter, 3/32, 1.0	2
9	714-04023	Pin, Click, .092 x 1.64 Lg	2
10	716-0106A	E-ring, .625 Dia. Shaft	2
11	720-0311	Grip, Handle	1
12	732-0874	Spring, Torsion	1
18	738-0138A	Screw, Hex Cap, 5/16-18x.620 Gr2	2
19	738-0143	Shoulder Screw, 3/8-16	2
20	741-0225	Bearing, Hex Flange	2
22	746-0968	Cable, Lift, 16.16 Lg	2
23	747-04155	Handle, Lift	1
24	747-1324	Rod, Deck .5" Dia.	1
25	756-1154	Pulley, Roller	2
26	783-04963	Arm, Lift (Model SLT 1550)	2
	783-0678A	Arm, Lift (Model SLT 1554)	2
27	712-0206	Nut, Hex, 1/2-13	2
28	710-0726	Screw, Self-tapping, 5/16-12, 0.75	1
29	732-0791	Spring, 1.01 x 6.5 (Model SLT 1554)	1
30	783-04462	Bracket, Lift (Model SLT 1554)	1

## ADJUSTABLE SEAT



REF. NO.	PART NUMBER	DESCRIPTION	QTY.
1	783-0739A	Lever, Seat, Adjustment	1
2	710-1268	Screw, #10-16, 0.375	2
3	712-04063	Nut, Nylon Lock, 5/16-18, Gr5	2
4	712-3027	Nut, Nylon Lock, 1/4-20	1
5	720-0433	Grip, Seat, Adjustment (Yellow)	1
6	726-0201	Nut, Speed, .3125 ID	2
7	731-04074	Spacer, Seat, Adjustment	4
8	732-0499	Spring, Compression .41 OD x 1.50	1
9	732-1184	Spring, Extension, .80 Dia x 4.6	1
11	757-04035	Seat, <i>Cub Cadet</i> , High Back	1
12	783-0753	Selector, Seat, Adjustment	1
13	736-0275	Washer, Flat, .344 x .688 x .065	2
14	736-3019	Washer, Flat, .531 x 1.062 x .134	2
15	738-0137A	Screw, Shoulder, .340 x .285, 1/4-	1
16	738-0296	Shoulder, Screw .437 x .286 Lg	2
17	738-0966A	Screw, Shoulder, .50 x .925, 3/8-16	4
18	783-0209D	LH Bracket, Seat Lift	1
	17239D	RH Bracket, Seat Lift	1
19	783-0611	Stop, Seat, Adjustment	1
20	710-0227	Screw, #8-18 x .50	2
21	726-0279	Plate, Insulator	2
22	725-1303	Spring Switch, Inner	1
23	725-1439	Spring Switch, Outer	1
24	726-0278	Plate, Insulator Boss	1
25	757-04039	Armrests (Includes two armrests)	1
26	710-1260A	Screw, 5/16-18, .75	6

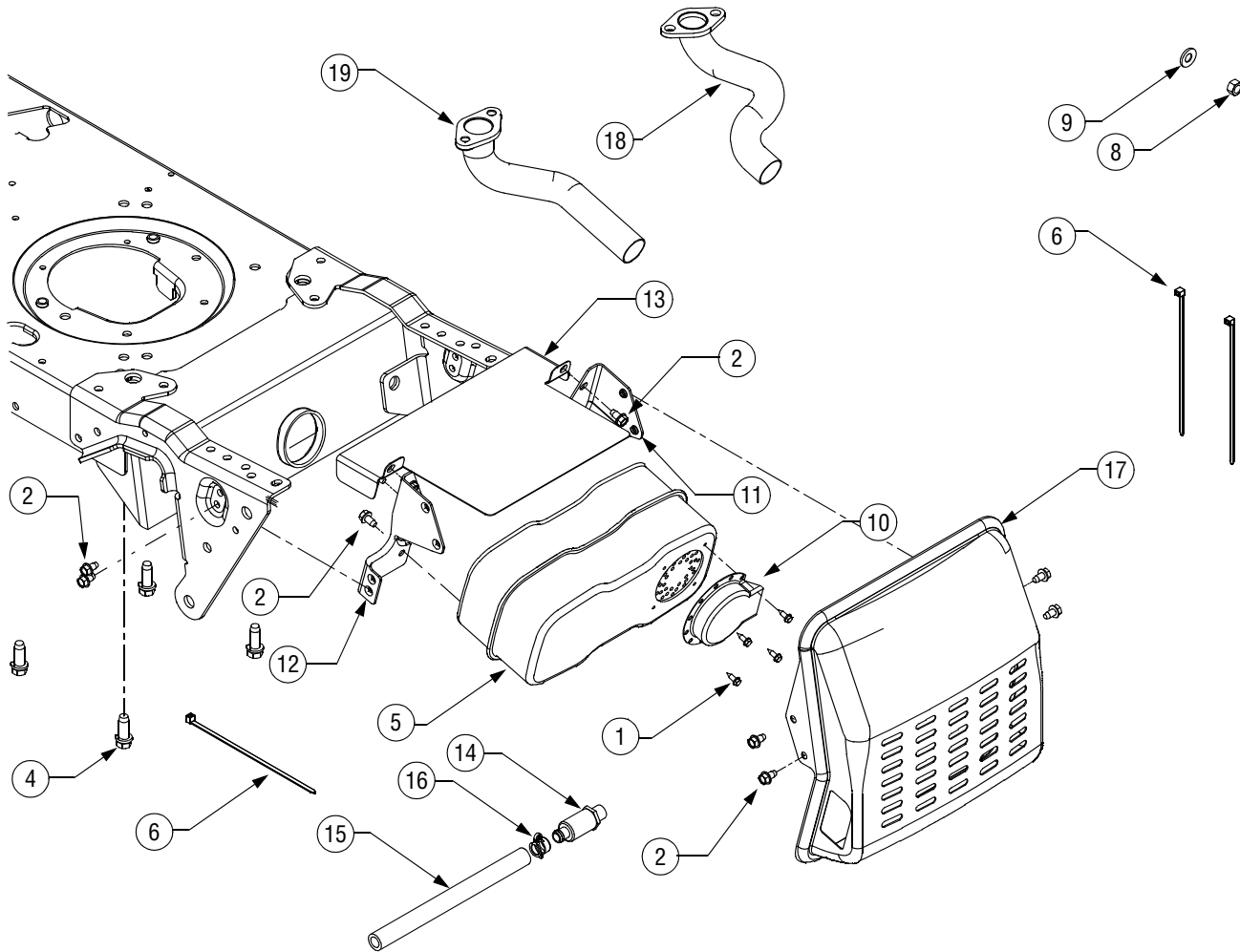
## PEDAL ASSEMBLY



REF. NO.	PART NUMBER	DESCRIPTION	QTY.	REF. NO.	PART NUMBER	DESCRIPTION	QTY.
1	647-0031B	Control Assembly, Brake	1	16	735-3049	Pad, Brake, Control	1
2	647-0049A	Control Assembly, Hydro	1	17	783-0663E	Bracket, Lockout, Hydro	1
3	710-0726	Screw, Self-tapping, 5/16-12, 0.75	4	18	710-1611B	Screw, Torx Hd. Tapp. 5/16-18 x	3
4	710-0650	Screw, Self-tapping, 5/16-18,	1	19	736-0187	Washer, Flat .64 ID x 1.24 x .06	2
5	736-0119	Washer, Lock, 5/16	1	20	736-3008	Washer, Flat, .344 x .750 x .120	1
6	783-0773A	Pedal, Brake	1	21	738-0155	Shoulder, Screw .437	1
7	711-04159B	Pin, 3/8-16, 3/8 x 2.68	1	22	738-0380	Shoulder, Screw 3/8-16	1
8	712-04065	Nut, Nylon Lock, 3/8-16	2	23	741-0225	Bearing, Hex Flange	2
9	712-3004A	Nut, Flange Lock, 5/16-18, Gr5	1	24	741-3065B	Bearing, Hex Flange, .628 ID, Split	2
10	714-0104	Pin, Cotter, .072 Dia. x 1.13 Lg	5	25	747-04096	Rod, Control, Cruise	1
11	714-0111	Pin, Cotter, 3/32, 1.0	2	26	747-04093	Rod, Control, Brake Lock	1
12	719-0584B	Pedal, Hydro Control	1	27	748-04039B	Latch, Cruise	1
13	732-0335	Spring, Compression, .405 x 1.17	1	28	783-04612	Bracket, Support, Stearing	1
14	732-0955	Spring, Extension, .50 OD x 1.41	1	29	736-0300	Lock Washer, .406 x .875 x .059	1
15	732-0963	Spring, Extension, .50 Dia x 6.37	1				

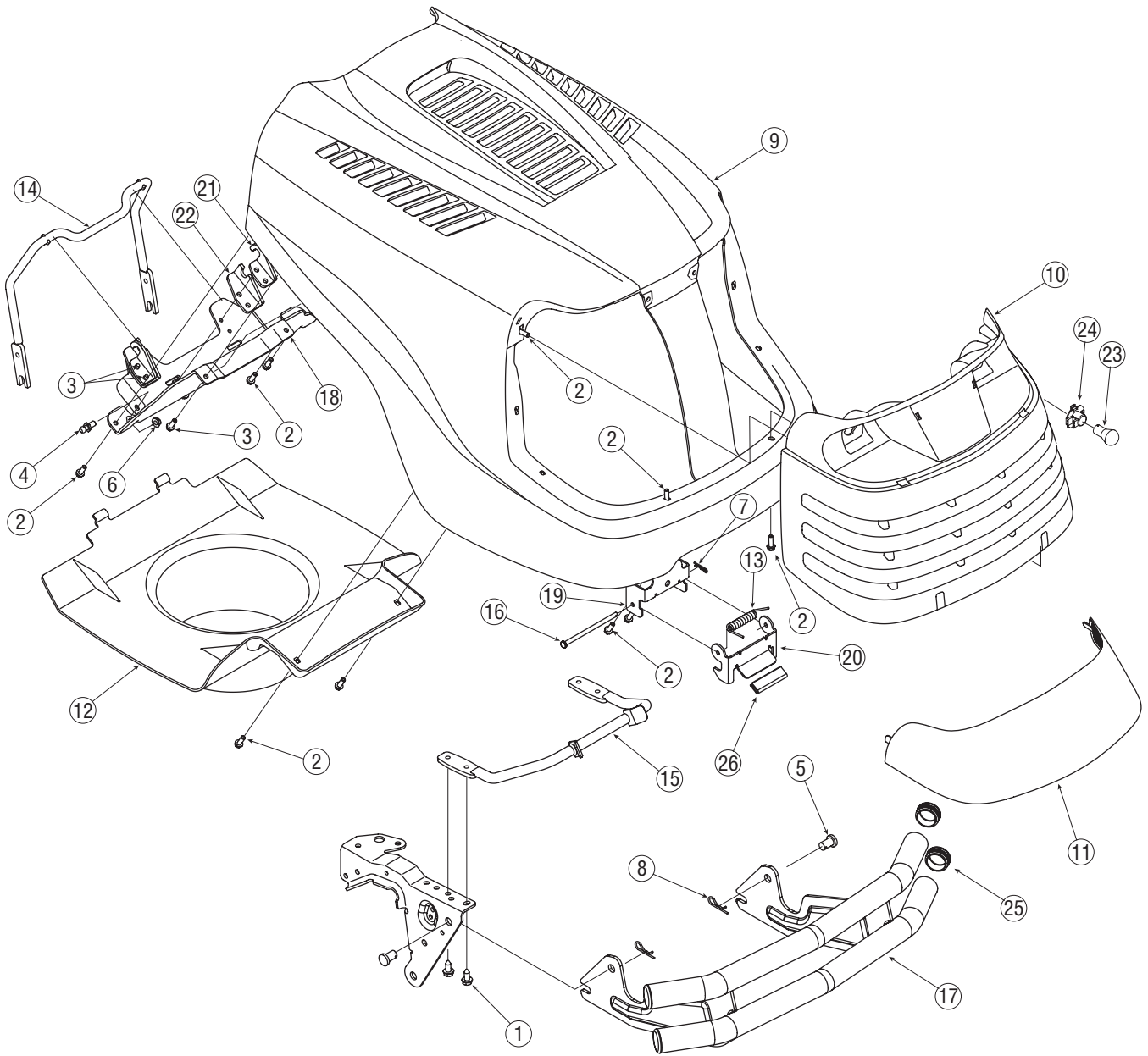


## ENGINE ACCESSORIES



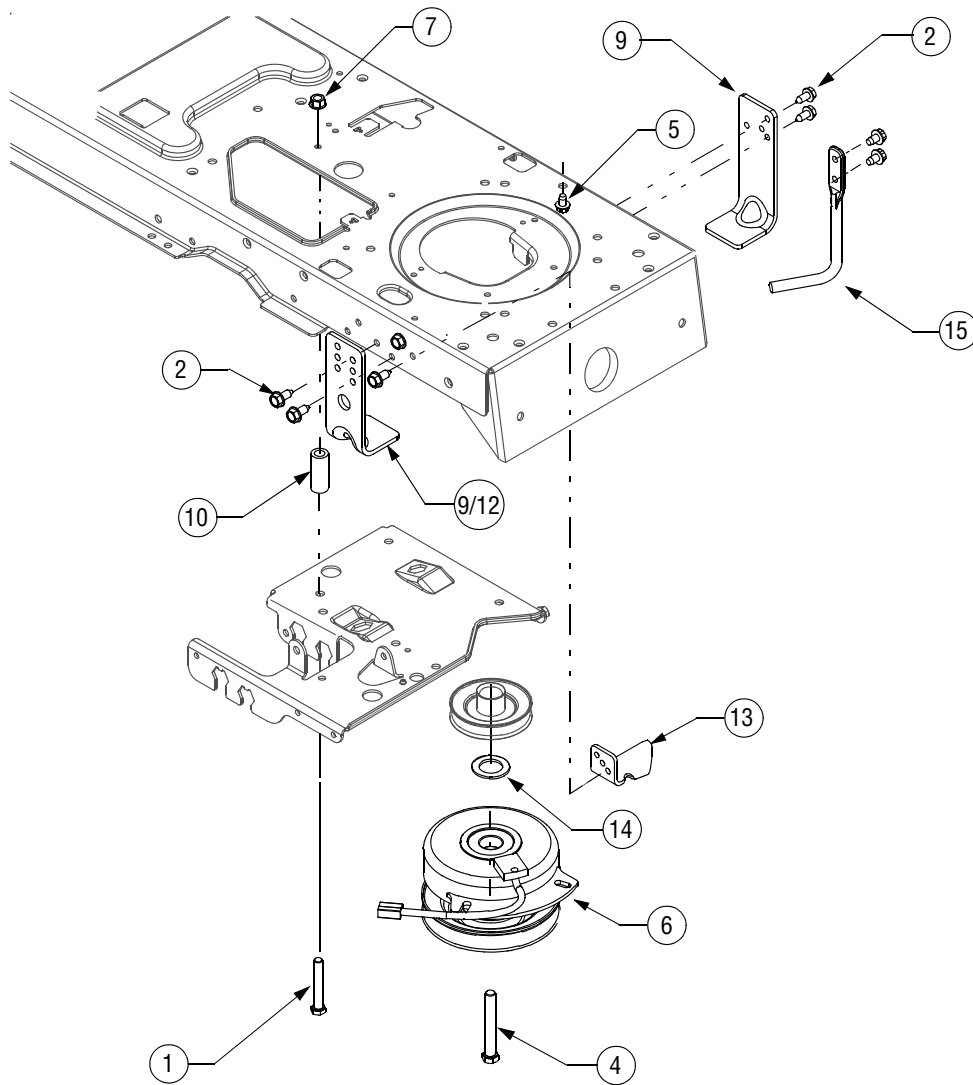
REF. NO.	PART NUMBER	DESCRIPTION	QTY.
1	710-0227	Screw, #8-18, 0.500	4
2	710-0599	Screw, Hex, 1/4-20, 0.500	4
3	710-0726	Screw, Hex, 5/16-12 x .75	2
4	710-1315	Screw, Hex, 3/8-16 x 1.25	4
5	751-0805	Muffler, Dual Inlet	1
6	725-0157	Cable, Tie, 3/16 x .05 x 7.4	2
7	712-3004A	Nut, Flange Lock, 5/16-18	2
8	712-3005	Hex Flange Nut, 3/8-16	1
9	736-0300	Lock Washer, .406 x.875 x.059	1
10	751-0564A	Deflector, Muffler	1
11	783-04573	Muffler Bracket, LH	1
12	783-04574	Muffler Bracket, RH	1
13	783-04783	Heat Shield	1
14	751-3140	Drain, Oil	1
15	751-3141	Extension Hose, Oil Drain	1
16	751-3142	Cap, Oil Drain	1
17	783-04576	Shield, Muffler	1
18	751-10007	Pipe, Exhaust, LH	1
19	751-10006	Pipe, Exhaust, RH	1

## HOOD & GRILLE



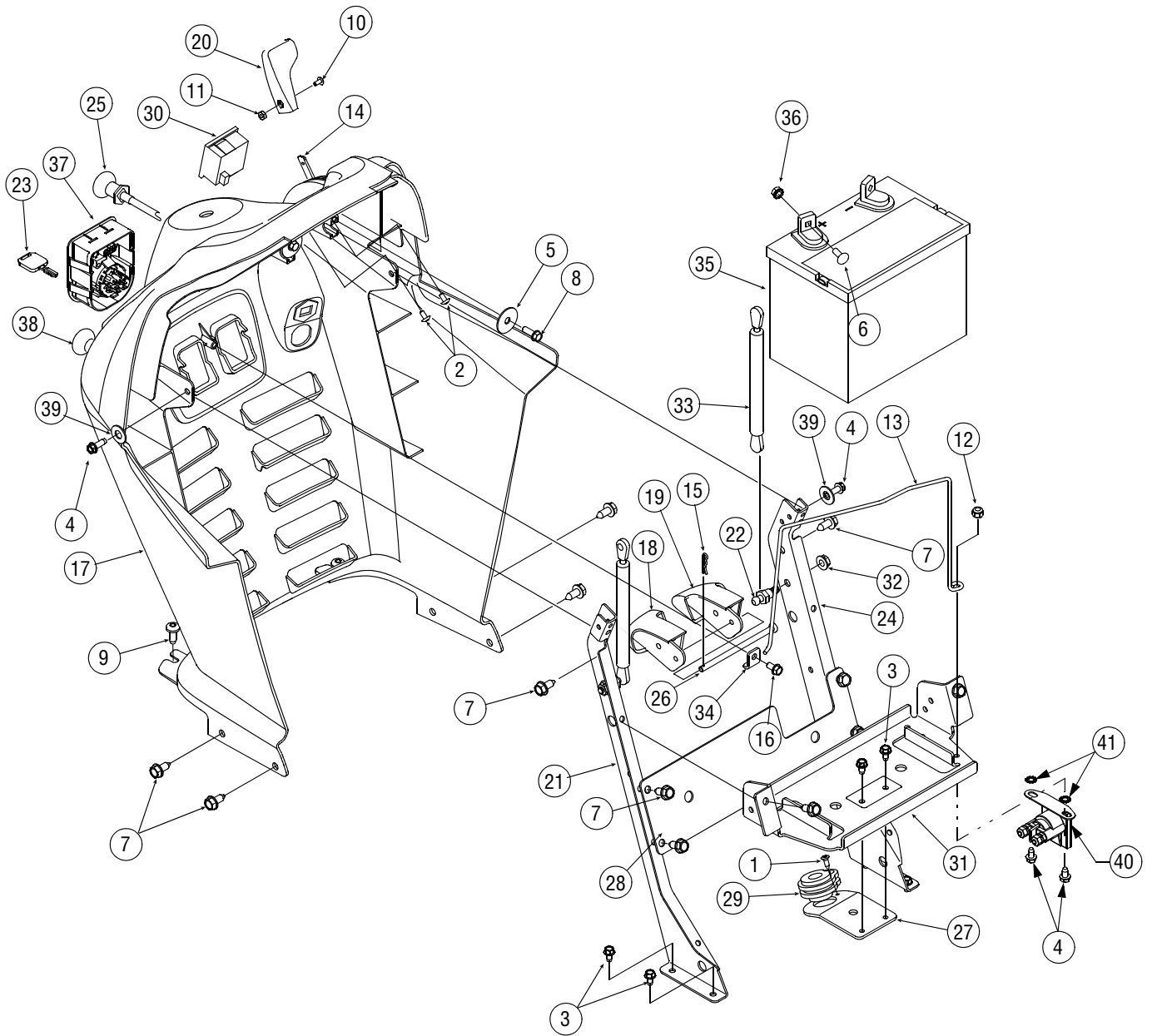
REF. NO.	PART NUMBER	DESCRIPTION	QTY.	REF. NO.	PART NUMBER	DESCRIPTION	QTY.
1	710-0726	Screw, 5/16-12 x.750	4	15	747-04494	Hood Latch Rod	1
2	710-0895	Screw, 1/4-15 x.750	12	16	747-1323A	Rod,.250 Dia. x 4.55	1
3	710-1276	Screw, Self Tapp, 1/4-20 x.750	4	17	749-04218	Bumper	1
4	710-3170	Screw, Ball, 5/16-18 x.56	2	18	783-04971	Hood Hinge Bracket	1
5	711-0332	Pin, Clevis,.50 Dia. x.78	2	19	783-04714	Latch Plate	1
6	712-04063	Nut, Flange Lock, 5/16-18	2	20	783-04717A	Latch Pivot Bracket	1
7	714-0104	Pin, Cotter,.072 Dia. x 1.13	1	21	783-04724A	Upper Pivot Bracket	2
8	714-0145	Pin, Click,.092 x 1.64	2	22	783-04725A	Hood Pivot Bracket	2
9	731-05053B	Hood	1	23	725-0963	Miniature Lamp, 12V	2
10	731-05103	Grill	1	24	725-1649	Lamp Socket	2
11	731-05111	Lens	1	25	731-05368	Cap, Bumper	4
12	731-05129	Hood Plenum	1	26	731-05291	Vinyl Strip, 2.5"	1
13	732-04281A	Latch Spring	1	—	629-04142A	Headlight Harness	1
14	747-04354B	Hood Pivot Rod	1				

## POWER TAKE-OFF (PTO) SYSTEM



REF. NO.	PART NUMBER	DESCRIPTION	QTY.
1	710-0859	Screw, 3/8-16 x 2.5 GR5	1
2	710-0726	Screw, 5/16-12, .75	3
3	710-1260A	Screw, 5/16-18, .75	1
4	710-3157	Screw, Hex Cap, 7/16-20 x 3.25 GR5	1
5	710-0607	Screw, Hex, 5/16-18 x .5 (Model SLT 1550)	1
6	717-04174 717-1774B	Clutch, PTO (Model SLT 1550) Clutch, PTO (Model SLT 1554)	1
7	712-04065	Nut, Hex. Nylon Lock, 3/8-16	1
8	736-0171	Washer, Lock, 7/16, Regular Duty	1
9	783-04975	Deck Stop (Model SLT 1550)	2
10	748-0415B	Spacer, 3/8 x 1.54	1
11	736-0277	Washer, Flat, 1.031 x 1.62 x .095	1
12	783-04467	Deck Stop (Model SLT 1554)	1
13	783-04419B	Bracket, Clutch	1
14	736-0277	Washer, Flat, 1.031 x 1.62 x .095	1
15	747-04384	Deck Stop Rod (Model SLT 1554)	1

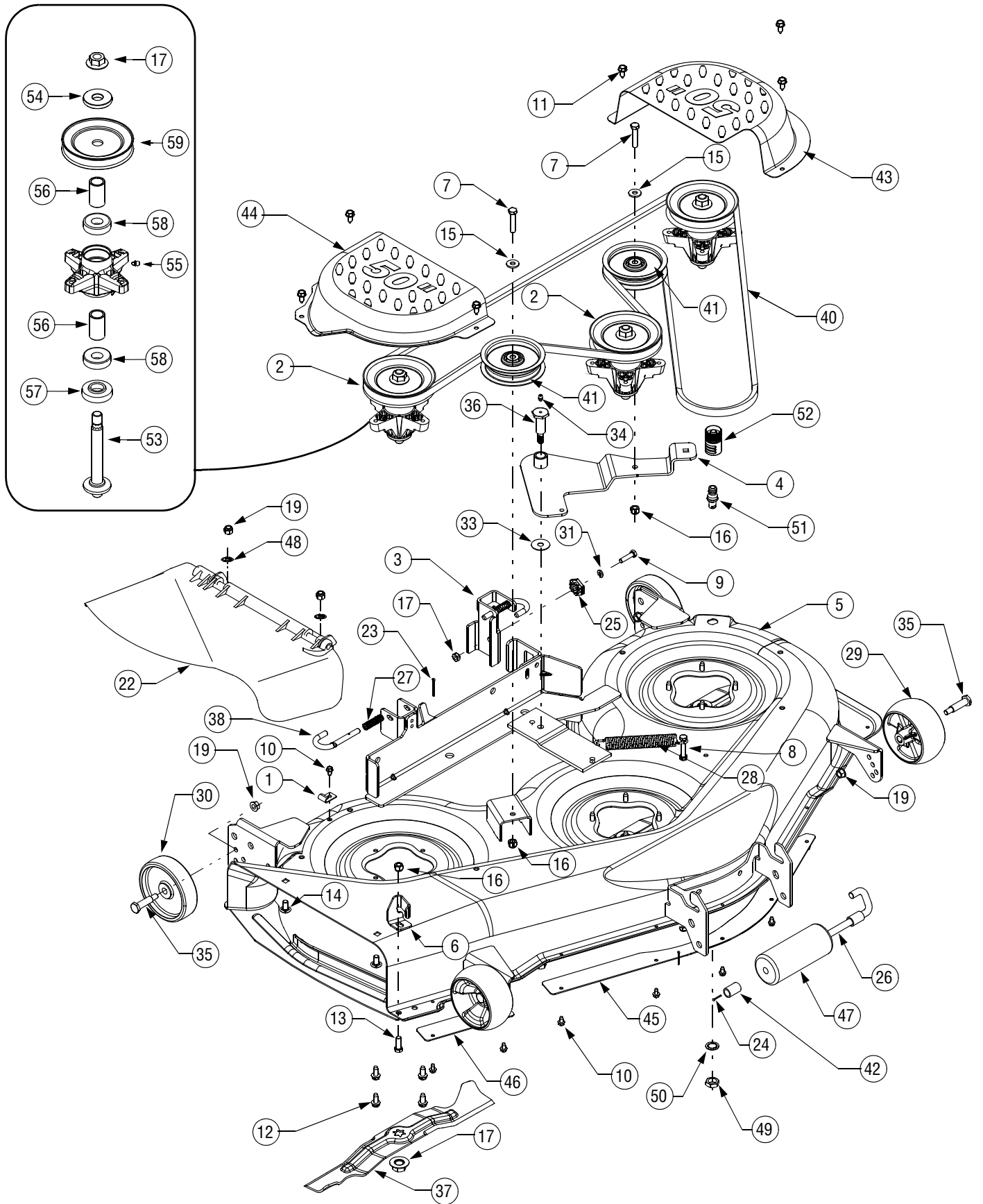
# DASH PANEL



## DASH PANEL

REF. NO.	PART NUMBER	DESCRIPTION	QTY.
1	710-0351	Screw, #10-18 x.50	1
2	710-0192	Screw, #10-24 x.375	2
3	710-0599	Screw, Self-tapping, 1/4-20, 0.500	6
4	710-0642	Screw, Hex. 1/4-20 x.75	3
5	736-0362	Flat Washer, .330 x 1.25 x.06	2
6	710-0703	Screw, Carriage, 1/4-20,.75,	1
7	710-0726	Screw, Hex, 5/16-12 x.75	12
8	710-0895	Screw, 1/4-15, 0.750	2
9	710-1611B	Screw, Torx Hd. Tapp. 5/16-18 x.75	2
10	710-3217	Screw, Machine, #8-32, 0.375, Trus Phillips	1
11	712-0142	Nut, 8-32	1
12	712-0324	Nut, Nylon Lock, 1/4-20	1
13	747-04215	Hold-down Rod, Battery	1
14	746-1100	Control, Throttle, 38.0	1
15	714-0104	Internal Cotter Pin,.072 x 1.13	1
16	710-04187	Screw, 1/4-15 x.50	1
17	731-05077	Dash	1
18	731-04294A	Lever, Dash, Cruise	1
19	731-04293A	Lever, Dash, Brake	1
20	731-3161	Knob, Throttle Control	1
21	683-04232	Dash Support, RH	1
22	710-04471	Ball Screw, 5/16-18 x.48	2
23	725-2054	Ignition Key, Plastic	2
24	683-04231	Dash Support, LH	1
25	746-04120	Control, Choke	1
26	747-1323A	Rod,.250 Dia x 4.25	1
27	783-04475	Bracket, Steering Support	1
28	783-04506A	Plate, Dash Support	1
29	741-0587	Steering Column Bearing	1
30	725-04022A	Monitor, Systems Indicator / Hour Meter	1
31	783-1447A	Bracket, Support, Battery	1
32	712-3004A	Flange Lock Nut,5/16-18	2
33	727-04142	Gas Spring Cylinder, 3.62 Stroke	2
34	783-1499	Bracket, Rod, Dash	1
35	725-1750A	Battery, 235 CCA	1
36	712-0271	Nut, Sems, 1/4-20	1
37	725-04227	Switch Module, Ignition	1
38	725-04175	Switch, PTO, Yellow	1
39	736-0173	Flat Washer,.28 x.74 x.063	2
40	725-1426A	Solenoid, 12V, 100 Amp	1
41	736-0222	Washer, External Lock, 1/4	2
—	725-2003	Receptacle, 12 V	1
—	629-04338	Wire Harness	1

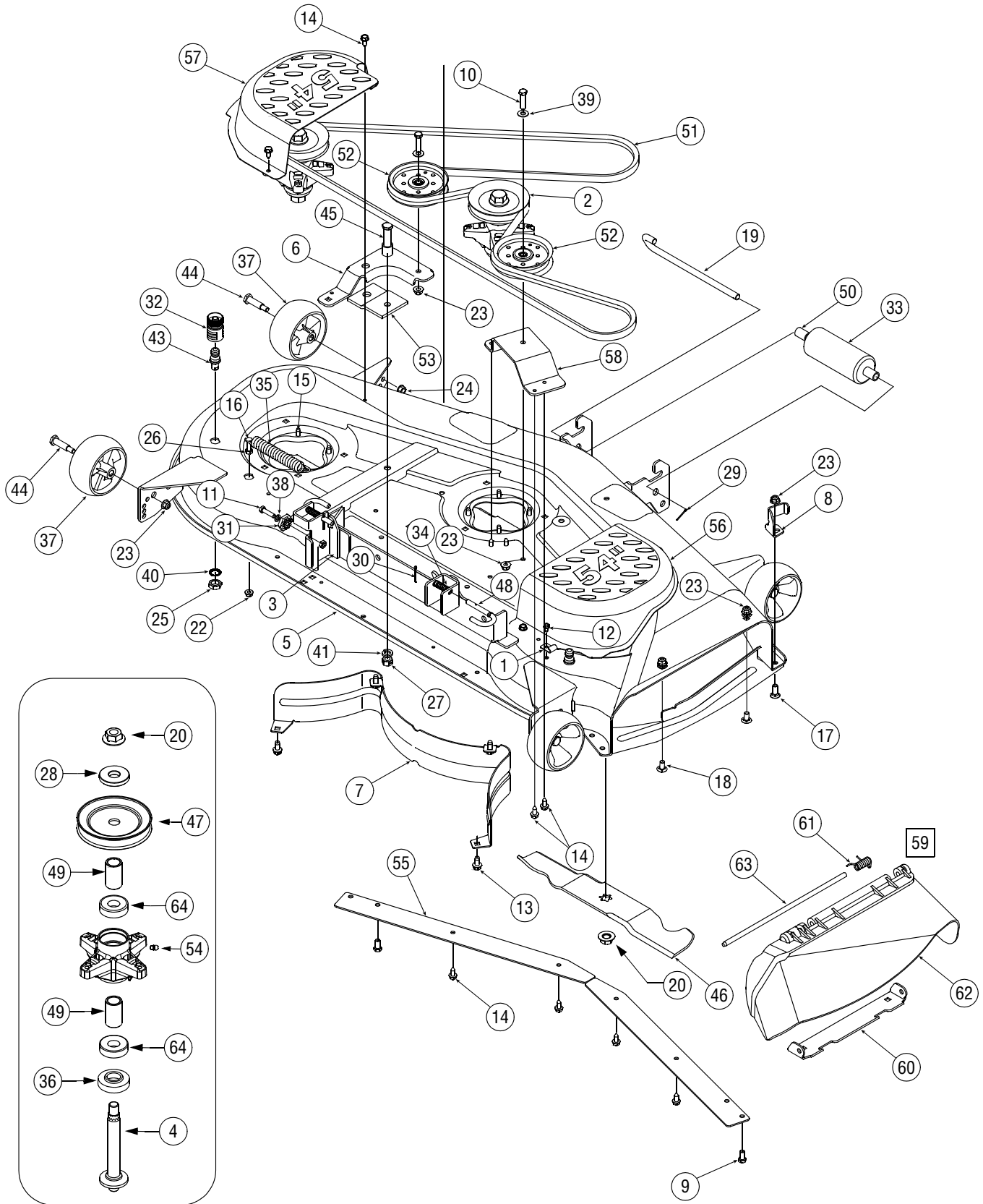
# 50-INCH MOWER DECK



## 50-INCH MOWER DECK

REF. NO.	PART NUMBER	DESCRIPTION	QTY.	REF. NO.	PART NUMBER	DESCRIPTION	QTY.
1	16606	Hook, Retainer	1	31	736-0119	Washer, Lock, 5/16	1
2	618-04126	Spindle Assembly	3	32	736-0407	Washer, Bell, .45 x 1.0 x .062	1
3	683-0254B	Hanger Bracket Assembly	1	33	736-0406	Washer, Flat, .442 x 1.38 x .060	1
4	683-04098	Idler Bracket	1	34	737-3000	Fitting, Lube, 3/16	1
5	683-04075	Weldment, 50-inch Deck	1	35	738-0373	Shoulder Screw	4
6	703-3279	Chute Stop	1	36	738-3005	Screw, Shoulder, .68 x 1.59	1
7	710-0347	Screw, 3/8-16, 1.75	2	37	742-04123	Blade, 17.90	3
8	710-3103	Screw, 5/16-18 x 2.00	1	38	747-1116	Rod, Deck Release .375 Dia.	2
9	710-0528	Screw, 5/16-18, 1.25, Gr5	8	39	750-0151	Spacer, .550 x .755 x 1.1	2
10	710-0599	Screw, 1/4-20 x 0.5	6	40	754-04077	Belt, V-Type, Aramid	1
11	710-0726	Screw, 5/16-18 x.625	1	41	756-04129	Pulley, Idler, 3.5"	2
12	710-1260A	Screw, 5/16-18 x .75	12	42	750-0151	Spacer, 1.1"	2
13	710-04095	Screw, 3/8-16 x 1.0	1	43	783-04399	LH Belt Cover	1
14	710-3178	Screw, Carriage, 3/8-16 x .75	1	44	783-04400	RH Belt Cover	1
15	736-0300	Washer, Flat, .406 x .875 x .059	2	45	783-04414A	Deck Skirt, Center	1
16	712-04065	Nut, Nylon Lock, 3/8-16	1	46	783-04415	Deck Skirt, RH	1
17	712-0417A	Nut, Hex, Flange, 5/8-18	2	47	731-3005	Roller	1
18	712-04063	Nut, Nylon Lock, 5/16-18	1	48	726-0233	Push Nut	2
19	712-0431	Nut, Flange Lock, 3/8-16	5	49	712-0641	Nut, Hex, M16-1.5	2
20	712-3010	Nut, Hex, 5/16-18, Gr5	4	50	736-0760	Washer, Lock	2
21	712-3019	Nut, 7/16-14	2	51	737-04003C	Port, Water	2
22	631-04070	Chute Assembly, Side Discharge	1	52	721-04041	Coupler, Hose	1
23	714-0470	Pin, Cotter, 1/8 x 1.25	1	53	738-1010A	Shaft, Spindle, 5.75	3
24	714-3004	Pin, Cotter, 3/32 x 1.25	2	54	736-0315	Washer, Flat, .760 x 1.5 x .120	3
25	717-04074	Deck Adjustment Gear	1	55	737-3000	Lube Fitting, 3/16	3
26	711-1737	Roller Pin	1	56	750-1000	Spacer, .800 x 1.10 x 1.322	6
27	732-0306A	Spring, Compression, .531 x 1.75	1	57	750-1349	Spacer, 79 x 1.84 x .55	3
28	732-0459B	Spring, Extension, .94 x 6.74	2	58	741-0919	Ball Bearing, .787 x 1.85 x .551	6
29	734-04155	Deck Wheel, 5.0	2	59	756-1171	Pulley, 5.39"	3
30	734-0973	Deck Wheel, 5.0	2				

# 54-INCH MOWER DECK

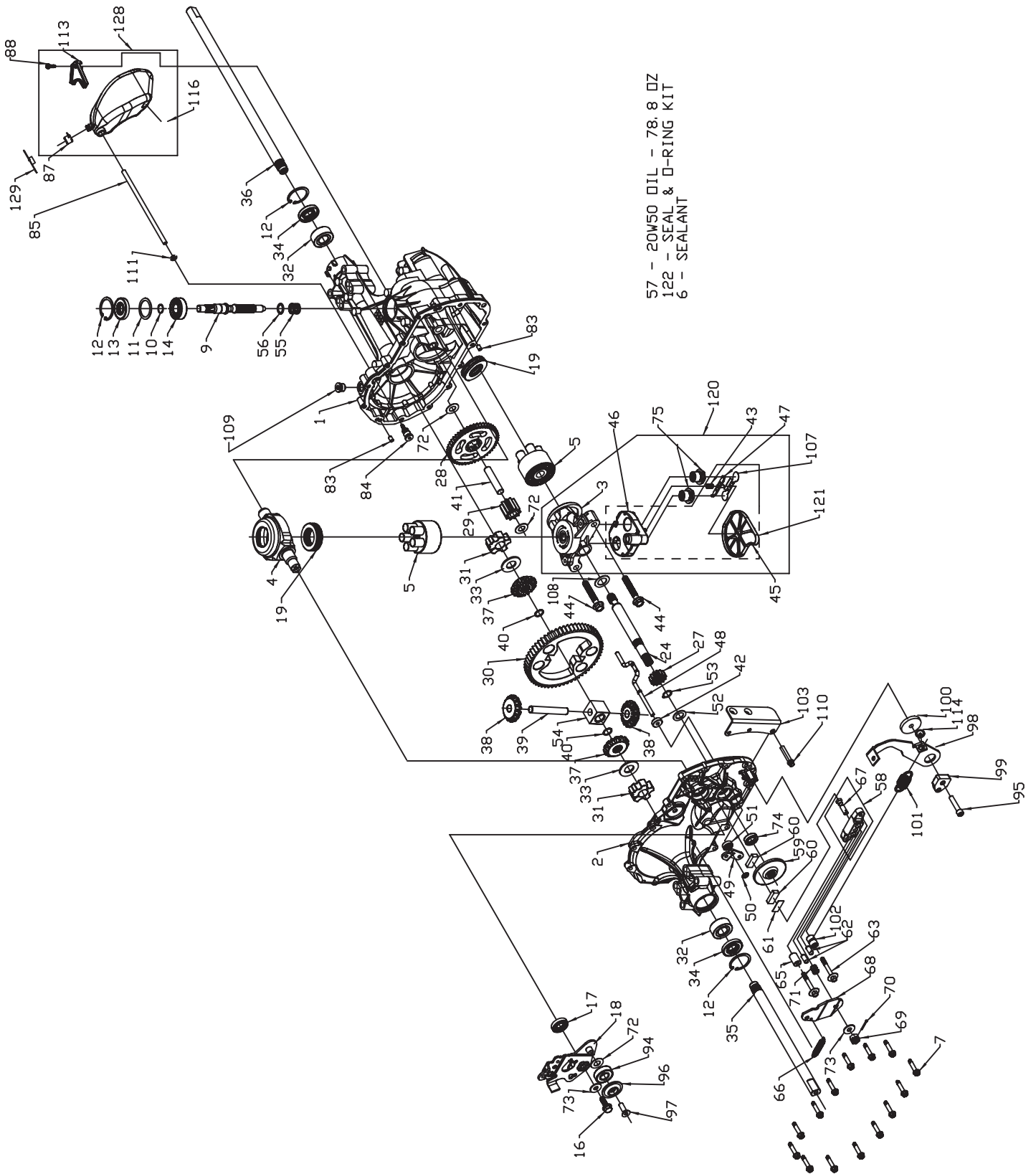




## 54-INCH MOWER DECK

REF. NO.	PART NUMBER	DESCRIPTION	QTY.	REF. NO.	PART NUMBER	DESCRIPTION	QTY.
1	16606	Hook, Retainer Bracket	1	33	731-3005	Front Roller	1
2	618-04162	Spindle Assembly	3	34	732-0306A	Spring, .531OD x 1.75	2
3	683-0254B	Hanger Bracket Assembly	1	35	732-0459B	Spring, Ext.,.94 Dia. x 6.74	1
4	738-1010A	Shaft, Spindle, 5.75	3	36	750-1349	Spacer, 79 x 1.84 x .55	3
5	683-04180	54" Deck Weldment	1	37	734-004155	Deck Wheel	4
6	683-04182	Idler Arm Assembly	1	38	736-0119	Washer, Lock, 5/16	1
7	703-2093	Inner Rear Baffle	1	39	736-0300	Washer, Flat,.406 x.875 x.059	2
8	703-3279	Chute Deflector Stop	1	40	736-0760	Washer, Lock	2
9	710-0216	Screw, 3/8-16 x.75	2	41	736-0921	Washer, Lock, 1/2	1
10	710-0520	Screw, 3/8-16 x 1.50	2	43	737-04003B	Port, Water	2
11	710-0528	Screw, 5/16-18 x 1.25	1	44	738-0373	Screw,.498 x 1.53 x 3/8-16	4
12	710-0599	Screw, 1/4-20 x.500	1	45	738-1229A	Screw,.625 x 2.50 x 1/2-13	1
13	710-0623	Screw, 3/8-16 x.750	4	46	742-0677	Blade, 18.5"	3
14	710-0726	Screw, 5/16-12 x.750	14	47	756-1171	Pulley, 5.39"	3
15	710-1260A	Screw, 5/16-18 x.750	12	48	747-1116	Rod, Deck Release Handle	2
16	710-3103	Screw, 5/16-18 x 2.00	1	49	750-1000	Spacer, .800 x 1.10 x 1.322	6
17	710-04095	Screw, 3/8-16 x 1.0	1	50	750-0151	Spacer,.550 ID x.755 OD x 1.1	2
18	710-3178	Bolt, Carriage, 3/8-16 x.750	2	51	754-04083	V-Belt	1
19	711-1737	Pin, Roller,.5" Dia. x 10.06	1	52	756-04129	Pulley, Idler, 4.25" Dia.	2
20	712-0417A	Nut, Hex, Flange, 5/8-18	2	53	783-04013A	Bracket, Stabilizer, Pulley	1
21	712-0229	Push Nut, 3/8	2	54	737-3000	Lube Fitting, 3/16	3
22	712-04063	Nut, Flange Lock, 5/16-18	1	55	783-04690	Skirt, Deck	2
23	712-04065	Nut, Flange Lock, 3/8-16	9	56	783-04691	Cover, Belt, RH	1
24	712-0431	Nut, Flange Lock, 3/8-16	2	57	783-04692	Cover, Belt, LH	1
25	712-0641	Nut, Hex, M16-1.5	2	58	783-04726	Bracket, Idler, Stationary	1
26	712-3010	Nut, Hex, 5/16-18	1	59	631-04070	Chute Assembly, Side Discharge	1
27	712-3022	Nut, Hex Lock, 1/2-13	1	60	783-04470	Chute Mounting Bracket	1
28	736-0315	Washer, Flat, .760 x 1.5 x .120	3	61	732-3070	Torsion Spring	1
29	714-0111	Pin, Cotter, 3/32 x 1.00	1	62	731-3131A	Deflector Chute	1
30	714-0470	Pin, Cotter, 1/8 x 1.25	2	63	711-1762	Hinge Pin	1
31	717-04074	Deck Adjustment Gear	1	64	741-0919	Ball Bearing, .787 x 1.85 x .551	6
32	721-04041	Hose Coupler	1				

# TRANSMISSION



57 - 20W50 OIL - 78.8 OZ  
 122 - SEAL & O-RING KIT  
 6 - SEALANT

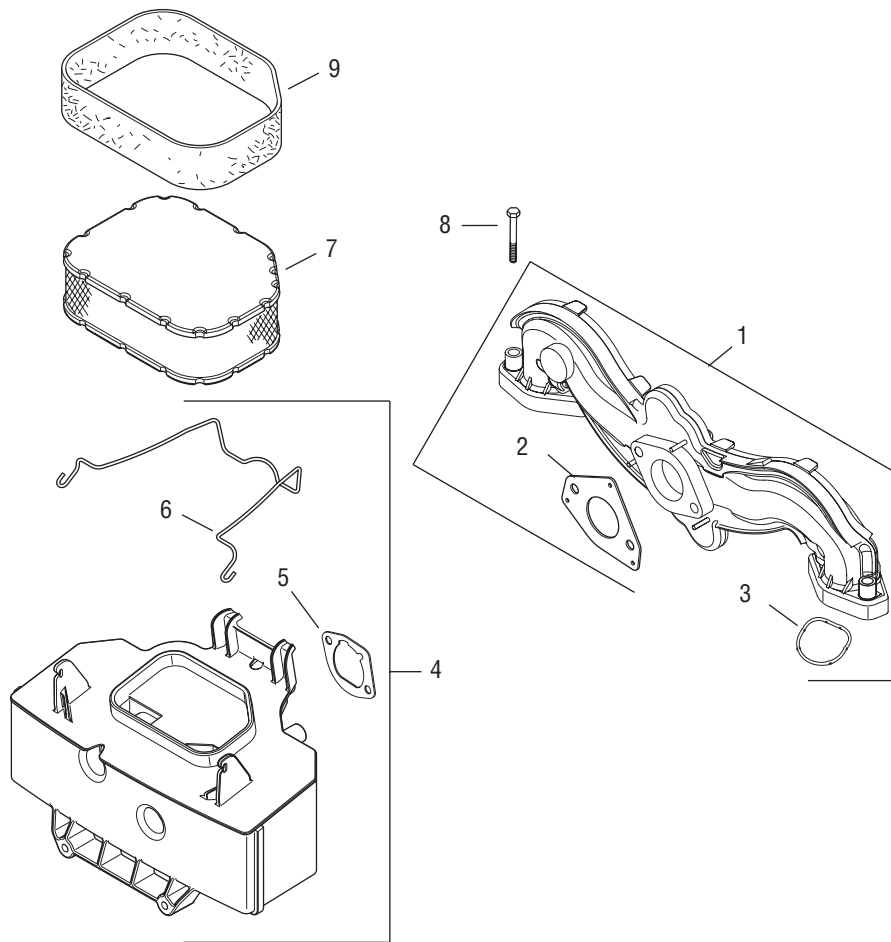
# TRANSMISSION

ITEM	PART NUMBER	QTY	DESCRIPTION
1	70467	1	MAIN HOUSING, ASSEMBLY
		1	MAIN HOUSING, MACHINED
		1	BUSHING .865 X .985 X .790
2	70483	1	SIDE HOUSING, ASSEMBLY
		1	SIDE HOUSING, MACHINED
		1	BUSHING .865 X .985 X .790
		1	BUSHING .624 X .719 X .562
3	70477	1	CENTER SECTION, ASSEMBLY
		1	CENTER SECTION, MACHINED
		1	BUSHING .707 X .788 X .591
4	51048	1	SWASHPLATE, TRUNNION MACHINED
5	70331	2	BLOCK - ASSEMBLY
		1	BLOCK - CYLINDER
		5	PISTON
		5	SPRING, COMPRESSION
		5	WASHER - THRUST
6	50928	10.5 0Z	SEALANT
7	51190	14	HEX FLANGE SCREW 1/4-20 X 1.25
9	51062	1	SHAFT, INPUT
10	2000022	1	RING - RETAINING
11	50951	1	SPACER
12	50329	3	RING - RETAINING
13	51161	1	SEAL, LIP .67 X 1.58 X .276
14	50315	1	BALL BRG 17MM ID X 40MM OD X 12MM
16	51064	1	BOLT, HEX FLANGE HEAD 5/16-24 X .94 (PATCH)
17	51140	1	LIP SEAL 18 X 32 X 7
18	51119	1	ARM, CONTROL
19	50551	2	BEARING, 30X52X13 THRUST
24	50966	1	SHAFT, MOTOR
27	51130	1	GEAR - PINNION, 13T
28	51129	1	10T/48T GEAR
29	51043	1	GEAR, 10T JACKSHAFT
30	51044	1	60T BULL GEAR
31	51088	2	SLEEVE BEARING .75 X 1.750 X .625
32	51089	2	SLEEVE BEARING (OUTBOARD) .75 X 1.575 X .625
33	44875	2	WASHER, 3/4 ID X 1-1/2 OD X .13 THK
34	51066	2	LIP SEAL AXLE SEAL
35	51079	1	SHAFT, AXLE .75 X 11.39 (DD, R.H.)
36	51078	1	SHAFT, AXLE .75 X 17.99 (DD, L.H.)
37	44096	2	MITER GEAR (SPLINED)
38	44097	2	MITER GEAR 15T (0.5 ID)
39	50146	1	SHAFT
40	44871	2	RING, SPIRAL RETAINING
41	51083	1	PIN, JACKSHAFT
42	51100	1	MAGNET, RING
43	51136	1	SPRING, BYPASS
44	50016	2	HYDRD MTG SCREW 3/8-24 X 2.5 LONG
45	51581	1	BOTTOM, FILTER
46	51580	1	BASE, FILTER W/ POPPET
47	51091	1	ACTUATOR, BYPASS
48	51098	1	ROD, BYPASS ACTUATOR
49	51135	1	ARM, BYPASS
50	51116	1	RETAINING RING 0.250 EXTERNAL
51	51081	1	SEAL, LIP .741 X .250 X .250 TC
52	44371	1	FLAT WASHER, 5/8 ID X 1.0 OD X .05 THK
53	44145	1	RETAINING RING
54	51071	1	BEARING, CENTER BLOCK
55	2003014	1	SPRING - HELICAL COMPRESSION
56	2003017	1	WASHER
57		78.8 0Z	20W-50 OIL
58	62589	1	KIT, BRAKE YOKE
		1	BRAKE YOKE
		1	SQ. HD. BOLT 5/16-24 RIBBED
59	51072	1	ROTOR, BRAKE
60	44132	2	BRAKE PUCK
61	44134	1	PUCK PLATE
62	44127	2	BRAKE ACTUATING PIN

ITEM	PART NUMBER	QTY	DESCRIPTION
63	51146	2	HFHCS 1/4-20 X 2 W/PATCH, SPECIAL FLANGE
65	23711	1	SPACER
66	70896	1	KIT, SPRING
67	44138	1	SQ. HD. BOLT 5/16-24- RIBBED
68	44094	1	ARM, BRAKE
69	44142	1	SLOTTED HEX NUT 5/16-24
70	44101	1	COTTER PIN 3/32 X 3/4
71	50919	1	COMPRESSION SPRING BRAKE ANTI-DRAG
72	50132	3	WASHER, HT 5 I.D. X 1 O.D. X .032
73	44130	2	FLAT - WASHER 11/32 I.D. X 7/8 O.D.
74	70719	1	KIT, SEAL
		1	DIL SEAL .625 X 1.0 X .25
		1	RING, RET-STAR WASHER
		1	BULLETIN, SHAFT SEAL
75	51084	2	CHECK PLUG ASSEMBLY, .027, WASHER
83	9004800-2506	2	PIN, STANDARD HEADLESS
84	51143	1	FITTING, 5/16 SAE 5/32 TUBE
85	51147	1	HOSE, EXPANSION TANK
87	51251	1	CAP, VENT
88	50653	1	BOLT, SELF TAPPING 10-32 X 1/2
94	44147	1	BALL BEARING .62 ID X 1.38 X .44
95	50837	1	SOCKET HEAD CAP SCREW, 5/16-24 X 1-1/2
96	51200	1	SPACER, LOCATING
97	50870	1	SCREW, SFHCS
98	51120	1	ARM, RETURN
99	51097	1	PUCK, ADJUSTING
100	51122	1	WASHER, .325 OD X 1.60 ID X .150 W
101	51131	1	SPRING, EXTENSION
102	51123	1	SPACER .560 OD X .260 ID X .870
103	51223	1	BRACKET, TORQUE
107	51134	1	DEFLECTOR
108	51069	1	WASHER, MOTOR SHAFT .71 ID X 1.15 OD X .030 THK
109	9005110-5600	1	PLUG, SAE #6
110	50868	1	TORX HEAD SCREW, 5/16-18 T.F.
111	51144	1	O-RING .07 X .301 ID
113	51179	1	BRACKET, SUPPORT EXPANSION TANK
114	51184	1	SPRING GUIDE
116	51196	1	SILICON SPONGE
120	70759	1	CENTER SECTION - FILTER - BYPASS ASSEMBLY
		1	CENTER SECTION MACHINED
		1	BASE FILTER W/ POPPET
		2	CHECK PLUG ASSEMBLY
		1	SPRING, BYPASS
		1	ACTUATOR, BYPASS
		1	DEFLECTOR
		1	BOTTOM, FILTER
		1	BUSHING, .707 X .788 X .591
121	70756	1	FILTER ASSEMBLY
		1	BOTTOM, FILTER
		1	BASE, FILTER W/ POPPET
		1	SPRING, BYPASS
		1	ACTUATOR, BYPASS
		1	DEFLECTOR
122	70463	1	SEAL - O-RING KIT
128	70503	1	KIT, EXPANSION TANK
		1	TANK, EXPANSION
		1	CAP, VENT
		1	BOLT, SELF TAPPING 10-32 X 1/2
		1	BRACKET, SUPPORT EXPANSION TANK
		1	SILICON SPONGE 1/2 X 1/2 X 3/16
129	51252	1	CAP, EXPANSION TANK SHIPPING

NOTE: Include a HG- prefix when ordering replacement transmission parts (i.e. HG-70467).

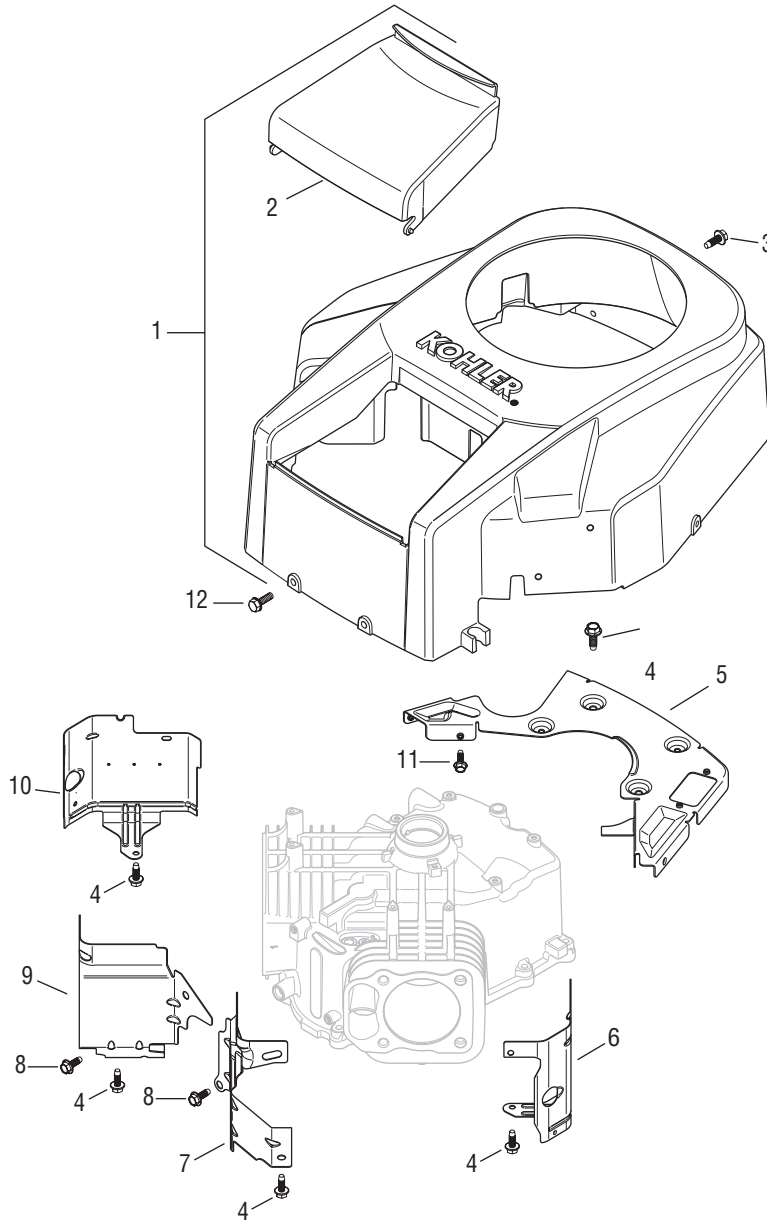
## ENGINE — AIR INTAKE / FILTRATION



REF. NO.	PART NUMBER	DESCRIPTION	QTY.
1	24 164 51-S	Manifold, intake (Includes 2,3)	1
2	24 041 52-S	Gasket, carburetor	1
3	24 153 27-S	O-Ring, intake port	2
4	32 094 03-S	Base, air cleaner (Includes 5,6)	1
5	24 041 14-S	Gasket, air cleaner base	1
6	32 344 02-S	Latch, air cleaner element	1
7	32 083 03-S	Element, air cleaner	1
8	M-651040-S	Screw, hex. flange M6x1.0x40	4
9	32 083 05-S	Pre-cleaner, element	1

NOTE: Include a KH- prefix when ordering replacement engine parts (i.e. KH-24 164 51-S).

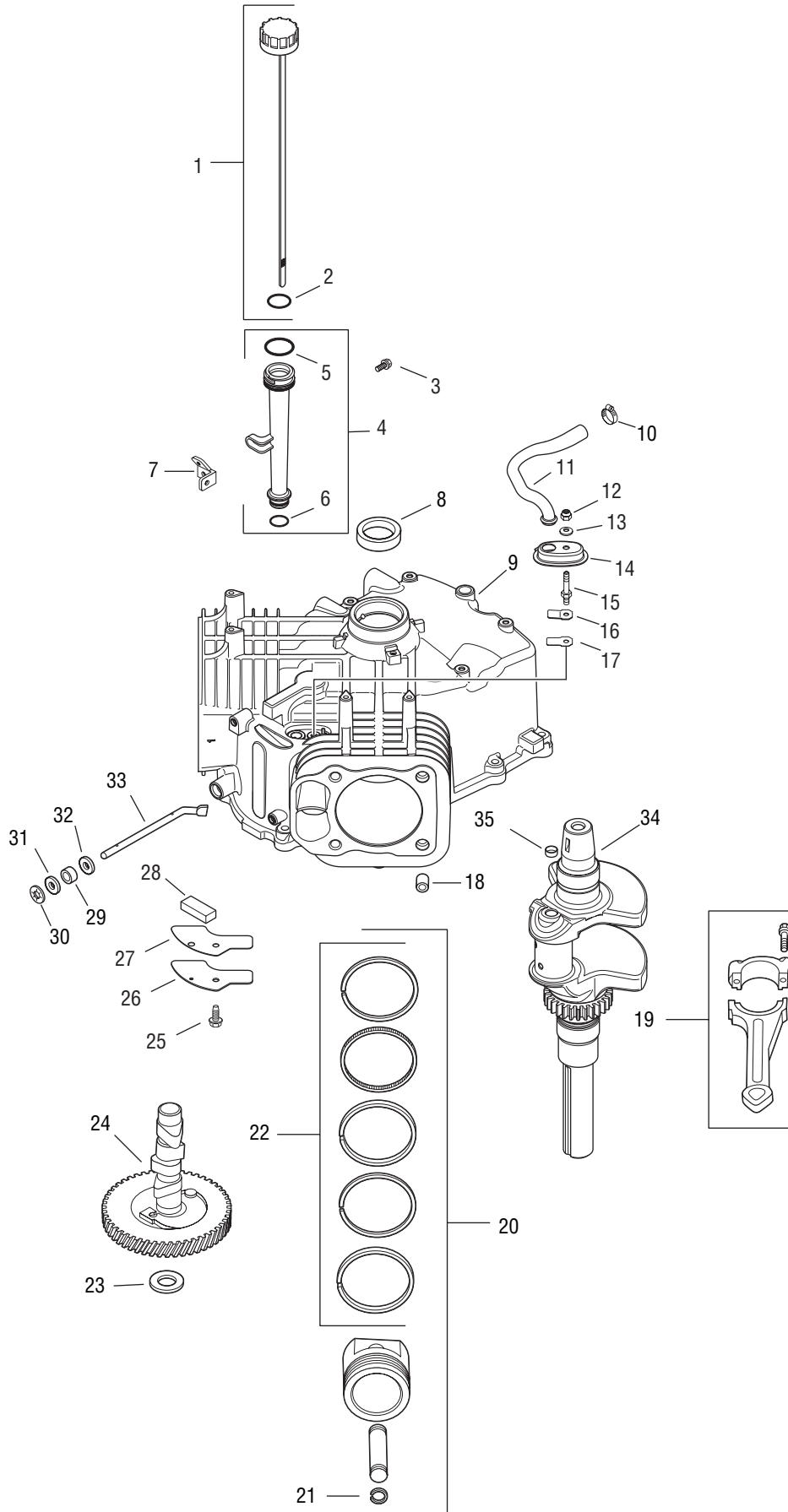
## ENGINE — BLOWER HOUSING & BAFFLES



REF. NO.	PART NUMBER	DESCRIPTION	QTY.
1	32 027 03-S	Housing, blower (Includes 2, 41 037 10-S)	1
2	32 096 08-S	Cover, air cleaner	1
3	M-545016-S	Screw, hex. flange M5x0.8x16	4
4	M-645016-S	Screw, hex. flange M6x1.0x16	8
5	32 146 05-S	Plate, backing w/rectifier-regulator opening	1
6	32 063 05-S	Baffle, cylinder barrel - #2 side	1
7	32 063 02-S	Baffle, valley - #2 side	1
8	M-545010-S	Screw, hex. flange M5x0.8x10	4
9	32 063 03-S	Baffle, valley - #1 side	1
10	32 063 04-S	Baffle, cylinder barrel-#1 side (SLT 1554)	1
	32 063 06-S	Baffle, cylinder barrel-#1 side (SLT 1550)	1
11	M-545020-S	Screw, hex. flange M5x0.8x20	2
12	24 086 12-S	Screw, hex. cap M6x1.7x18	2

NOTE: Include a KH- prefix when ordering replacement engine parts (i.e. KH-24 164 51-S).

# ENGINE — CRANKCASE

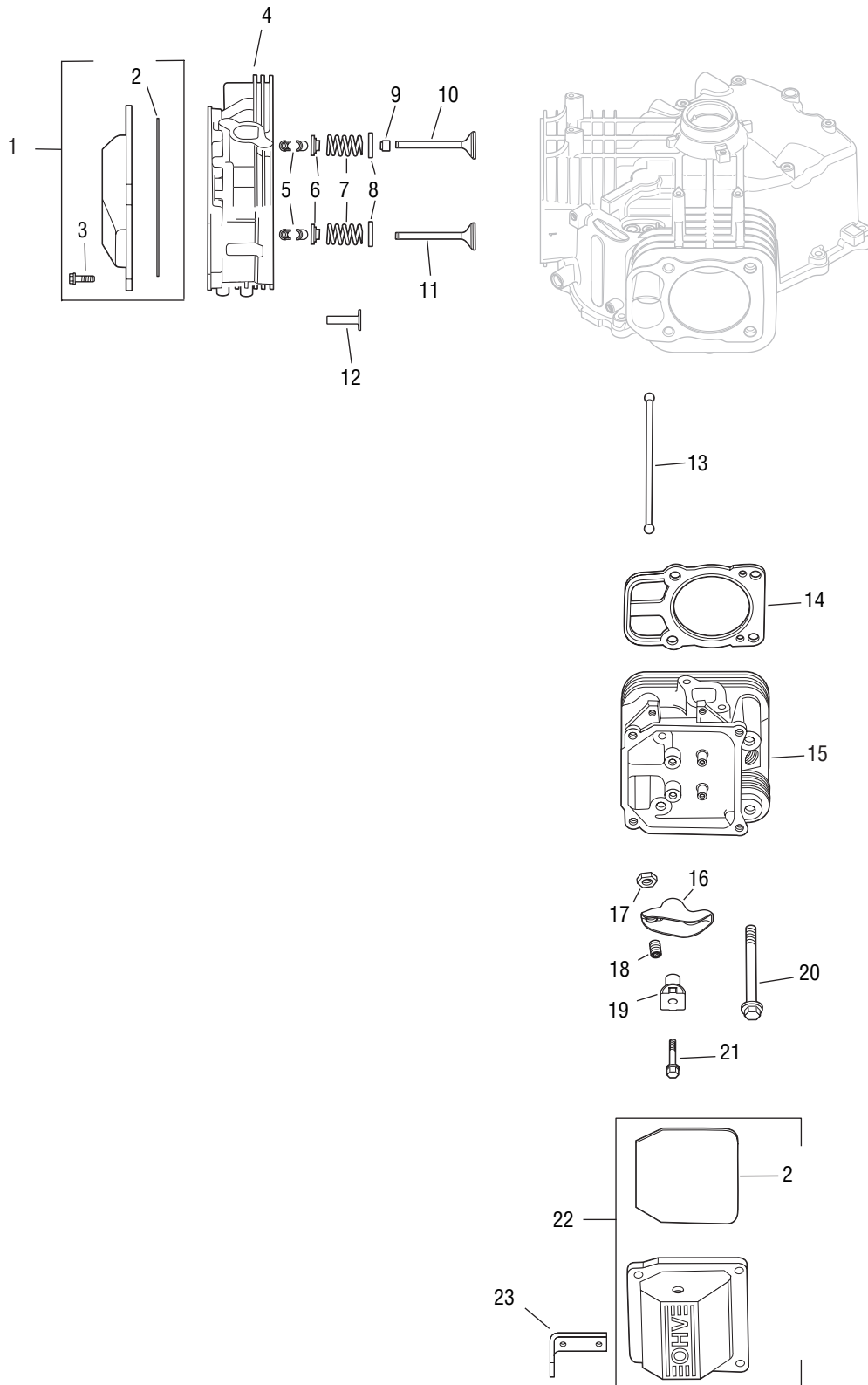


## ENGINE — CRANKCASE

REF. NO.	PART NUMBER	DESCRIPTION	QTY.
1	32 038 01-S	Kit, dipstick (Includes 2)	1
2	12 153 03-S	O-Ring	1
3	M-545016-S	Screw, hex. flange thread forming	1
4	12 123 04-S	Tube, oil fill (Includes 5,6)	1
5	12 153 02-S	O-Ring, upper oil fill tube	1
6	12 153 01-S	O-Ring, lower oil fill tube	1
7	24 126 19-S	Bracket, oil fill tube	1
8	24 032 01-S	Seal, oil	1
9		Crankcase (USE: Miniblock 32 782 01)	1
10	25 237 14-S	Clamp, hose	1
11	32 326 04-S	Hose, breather	1
12	M-547050-S	Nut, hex. lock M5x0.8	1
13	32 468 01-S	Washer, sealing	1
14	32 081 02-S	Housing, breather	1
15	32 072 02-S	Stud, breather cover	2
16	24 018 04-S	Retainer, breather reed	2
17	24 402 05-S	Reed, breather	2
18	24 380 16-S	Pin, locating	6
19	24 067 13-S	Connecting Rod (Std.)	2
20	32 874 06-S	Piston w/Ring Set (Std.) (Includes 20,21)	2
	TBD	Piston w/Ring Set (.25)	2
21	24 018 01-S	Retainer, piston pin	4
22	24 108 05-S	Ring Set (Std.)	2
	24 108 06-S	Ring Set (.25)	2
23	12 422 10-S	Shim, camshaft (yellow)	A.R.
	12 422 09-S	Shim, camshaft (red)	A.R.
	12 422 13-S	Shim, camshaft (black)	A.R.
	12 422 07-S	Shim, camshaft (white)	A.R.
	12 422 08-S	Shim, camshaft (blue)	A.R.
	12 422 11-S	Shim, camshaft (green)	A.R.
	12 422 12-S	Shim, camshaft (gray)	A.R.
24	32 012 01-S	Kit, camshaft	1
25	M-645016-S	Screw, hex. flange thread forming	1
26	32 096 04-S	Cover, breather	1
27	32 041 01-S	Gasket, breather cover	1
28	32 050 01-S	Filter, breather	1
29	28 032 09-S	Seal, governor cross shaft	1
30	24 018 09-S	Ring, retainer	1
31	M-931010-S	Washer, plain 8 mm	1
32	24 468 15-S	Washer, flat 1/4"	1
33	24 144 38-S	Shaft, governor cross	1
34	32 014 02-S	Crankshaft (Includes 2)	1
35	52 139 09-S	Plug, cup	1

NOTE: Include a KH- prefix when ordering replacement engine parts (i.e. KH-24 164 51-S).

# ENGINE — CYLINDER HEAD

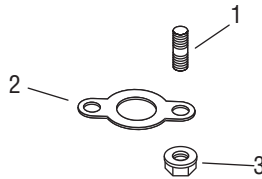




## ENGINE — CYLINDER HEAD

REF. NO.	PART NUMBER	DESCRIPTION	QTY.
1	24 755 141-S	Kit, valve cover - plain (Includes 2,3)	1
2	24 153 28-S	O-Ring	1
3	M-651030-S	Screw, hex. flange M6x1.0x30	4
4	32 318 01-S	Head assembly, #1 cylinder	1
5	12 755 03-S	Kit, retainer	4
6	12 173 01-S	Cap, valve spring	2
7	24 089 02-S	Spring, valve	2
8	235011-S	Retainer, spring	2
9	66 032 05-S	Seal, valve stem	1
10	24 017 01-S	Valve, intake (Std.)	1
	24 017 02-S	Valve, intake (.25)	1
11	24 016 01-S	Valve, exhaust (Std.)	1
	24 016 02-S	Valve, exhaust (.25)	1
12	32 019 01-S	Tappet	4
13	32 411 02-S	Rod, push	2
14	24 841 03-S	Kit, cylinder head gasket (Includes head	2
15	32 318 02-S	Head assembly, #2 cylinder	1
16	32 186 02-S	Arm, rocker	2
17	32 100 04-S	Nut, hex. M10x0.75	4
18	32 086 03-S	Screw, set	4
19	32 599 02-S	Pivot, rocker arm	2
20	12 086 16-S	Screw, hex. flange M10x1.5x90	4
21	M-651045-S	Screw, hex. flange M6x1.0x45	4
22	32 096 06-S	Kit, valve cover - breather (Includes 2)	1
23	24 445 01-S	Strap, lifting	1

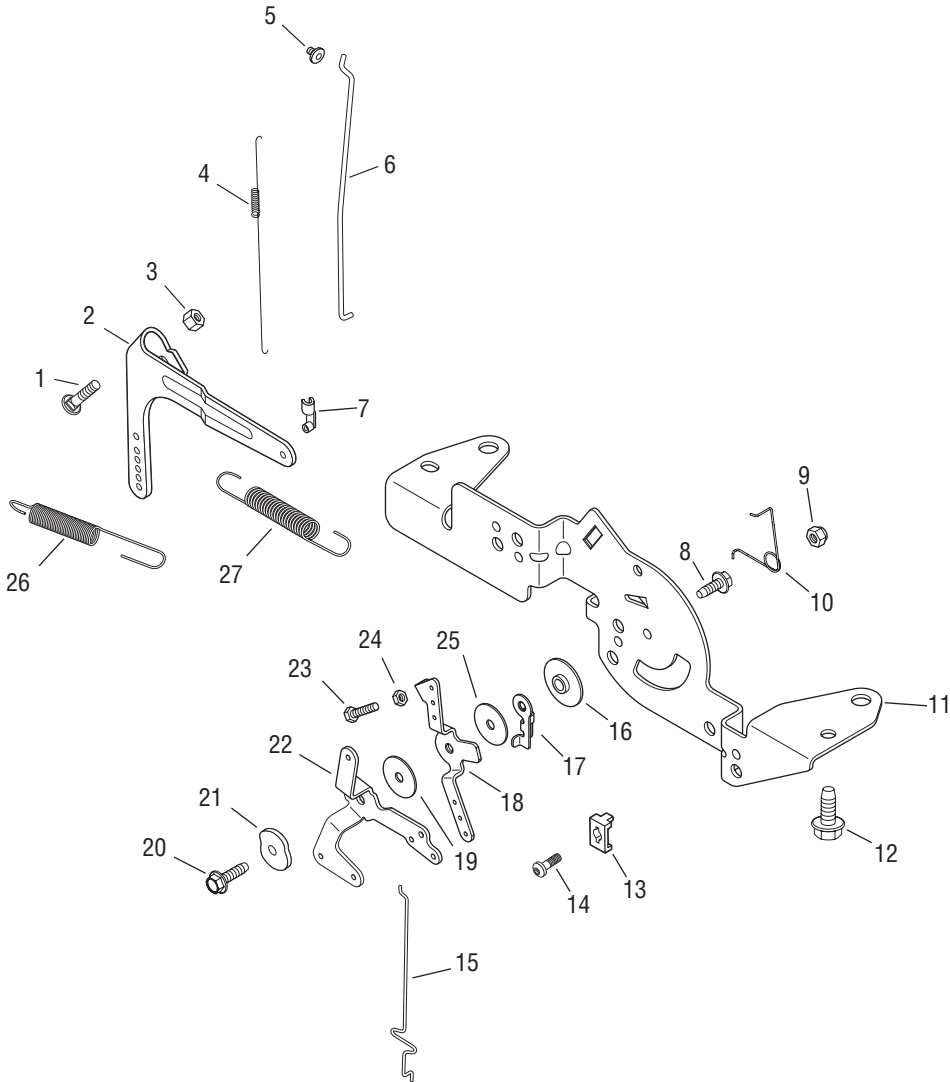
## ENGINE — EXHAUST



REF. NO.	PART NUMBER	DESCRIPTION	QTY.
1	25 072 04-S	Stud, M8x1.25x33	4
2	24 041 49-S	Gasket, exhaust manifold	1
3	M-841080-S	Nut, hex. flange M8x1.25	4

NOTE: Include a KH- prefix when ordering replacement engine parts (i.e. KH-24 164 51-S).

# ENGINE — ENGINE CONTROLS

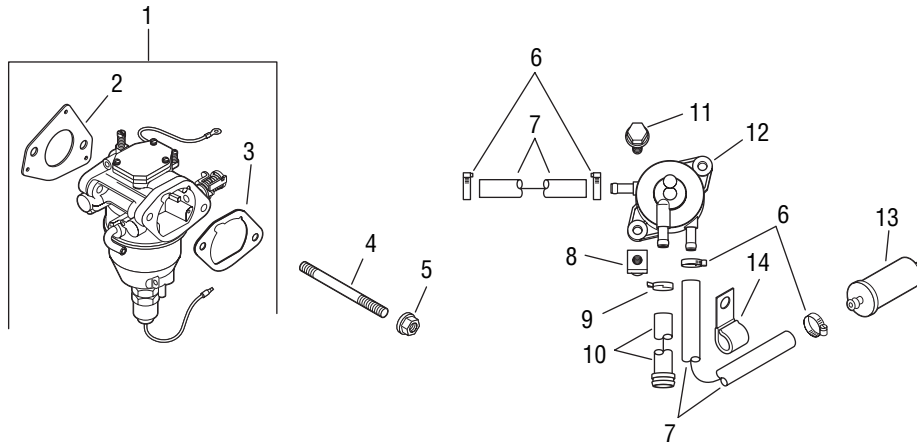


## ENGINE — ENGINE CONTROLS

REF. NO.	PART NUMBER	DESCRIPTION	QTY.
1	24 211 03-S	Bolt, round head square neck	1
2	24 090 33-S	Lever, governor	1
3	M-641060-S	Nut, hex. flange M6x1.0	1
4	24 089 01-S	Spring, linkage	1
5	25 158 08-S	Bushing, linkage retaining	1
6	24 079 04-S	Linkage, throttle	1
7	25 158 11-S	Bushing, throttle linkage	1
8	M-545016-S	Screw, hex. flange M5x0.8x16	1
9	M-547050-S	Nut, hex. lock M5x0.8	1
10	24 089 03-S	Spring, choke return	1
11	24 126 161-S	Bracket, control	1
12	M-645016-S	Screw, hex. flange M6x1.0x16	4
13	47 237 02-S	Clamp, dual conduit	1
14	24 086 43-S	Screw, thread forming	1
15	24 079 22-S	Linkage, choke	1
16	24 112 27-S	Spacer, control assembly	1
17	24 090 47-S	Lever, throttle actuator	1
18	24 090 13-S	Lever, throttle control	1
19	24 468 01-S	Washer, plain 5.5 mm	1
20	M-545020-S	Screw, hex. flange M5x0.8x20	1
21	41 468 03-S	Washer, spring 1/4"	1
22	24 090 05-S	Lever, choke	1
23	M-403025-S	Screw, hex. head cap M4x0.7x25	1
24	M-446030-S	Nut, hex. M4x0.7	1
25	24 468 20-S	Washer, plain	1
26	24 089 25-S	Spring, governor	1
27	24 089 55-S	Spring, governor	1

NOTE: Include a KH- prefix when ordering replacement engine parts (i.e. KH-24 164 51-S).

## ENGINE — FUEL SYSTEM



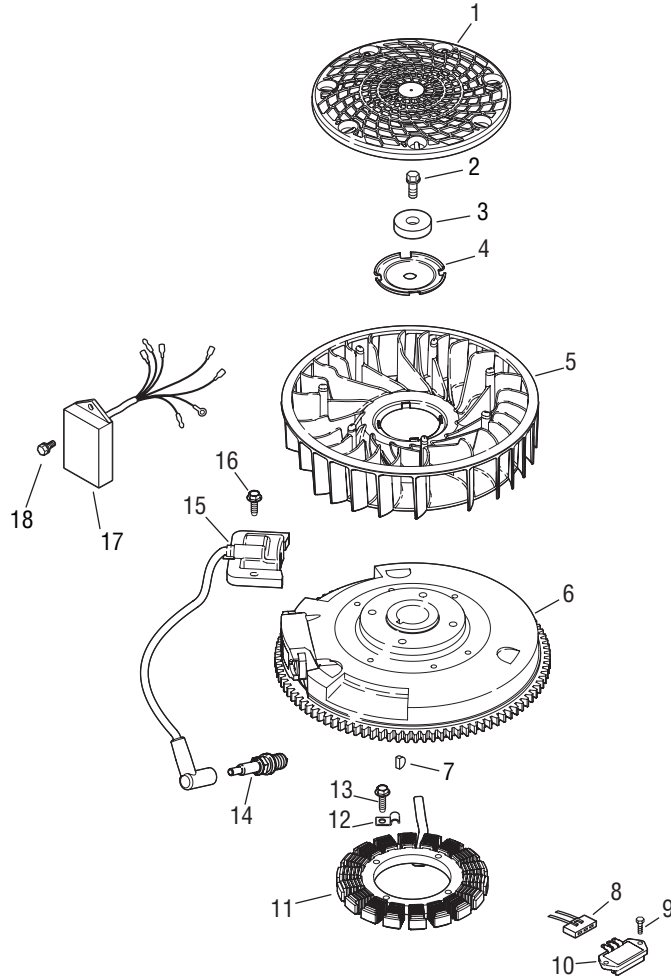
### NOT ILLUSTRATED

24 757 36-S	Kit, service choke repair
24 757 38-S	Kit, service gasket repair
24 757 44-S	Kit, float w/gaskets
24 757 45-S	Kit, solenoid valve w/gaskets
24 757 46-S	Kit, overhaul w/gaskets

REF. NO.	PART NUMBER	DESCRIPTION	QTY.
1	32 853 04-S	Kit, carburetor w/gaskets (Includes 2,3)	1
2	24 041 52-S	Gasket, carburetor	1
3	24 041 14-S	Gasket, air cleaner base	1
4	M-629105-S	Stud, carburetor	2
5	M-641060-S	Nut, hex. flange M6x1.0	2
6	25 237 14-S	Clamp, hose	4
7	25 111 34-S	Line, fuel (Fuel line comes in lengths of 24"	2
8	24 100 01-S	Nut, plastic	2
9	25 237 01-S	Clamp, hose	1
10	32 326 02-S	Hose, fuel pump	1
11	24 086 12-S	Screw, hex. cap M6x1.7x18	2
12	24 393 16-S	Pump, pulse fuel	1
13	25 050 22-S	Filter, fuel	1
14	47 154 01-S	Clip, cable	1

NOTE: Include a KH- prefix when ordering replacement engine parts (i.e. KH-24 164 51-S).

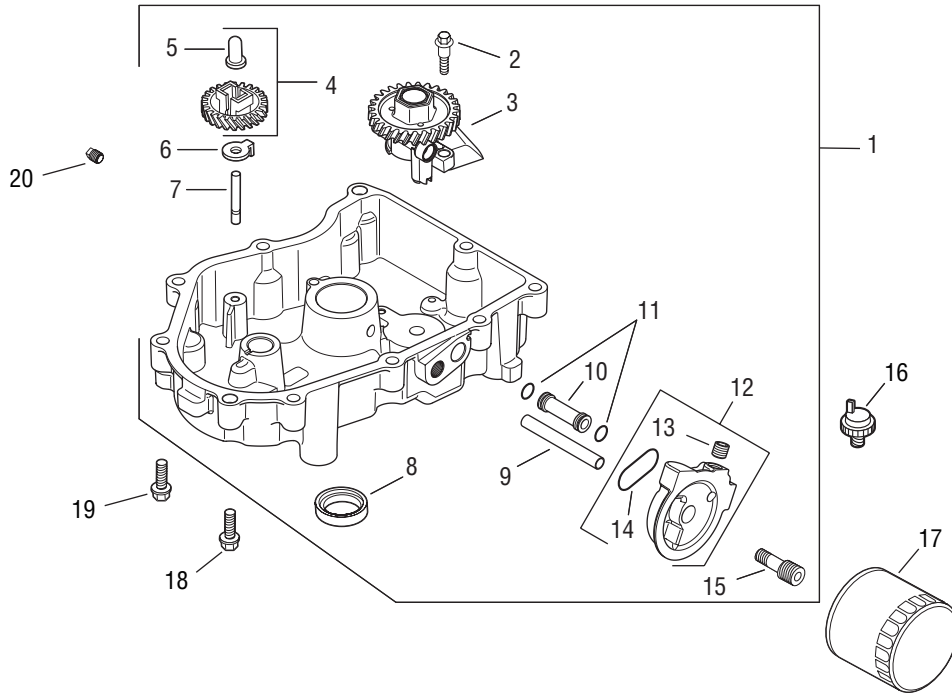
## ENGINE — IGNITION / ELECTRICAL



REF. NO.	PART NUMBER	DESCRIPTION	QTY.
1	32 162 03-S	Screen, grass	1
2	12 086 14-S	Screw, hex. flange M10x1.5x45	1
3	12 468 03-S	Washer, plain 3/8"	1
4	20 146 02-S	Plate, fan mounting	1
5	32 157 01-S	Fan	1
6	32 025 05-S	Flywheel (SLT 1554)	1
	32 025 06-S	Flywheel (SLT 1550)	1
7	X-42-15-S	Key	1
8	41 403 09-S	Rectifier-regulator	1
9	236602-S	Connector (3 contact)	1
10	M-551016-S	Screw, heavy hex. flange M5x0.8x16	2
11	TBD	Kit, 15 amp stator	1
12	47 154 01-S	Clip, cable (SLT 1554)	1
	235173-S	Clip, cable (SLT 1550)	1
13	M-548025-S	Screw, hex. head thread forming M5x0.8x25	2
14	12 132 02-S	Spark plug	2
15	24 584 36-S	Module, ignition (SLT 1554)	2
	24 584 01-S	Module, ignition (SLT 1550)	2
16	M-545020-S	Screw, hex. flange thread forming M5x0.8x20	4
17	24 584 31-S	Module, speed advance (SLT 1554 only)	1
18	M-448010-S	Screw, hex. flange thread forming (SLT 1554 only)	2

NOTE: Include a KH- prefix when ordering replacement engine parts (i.e. KH-24 164 51-S).

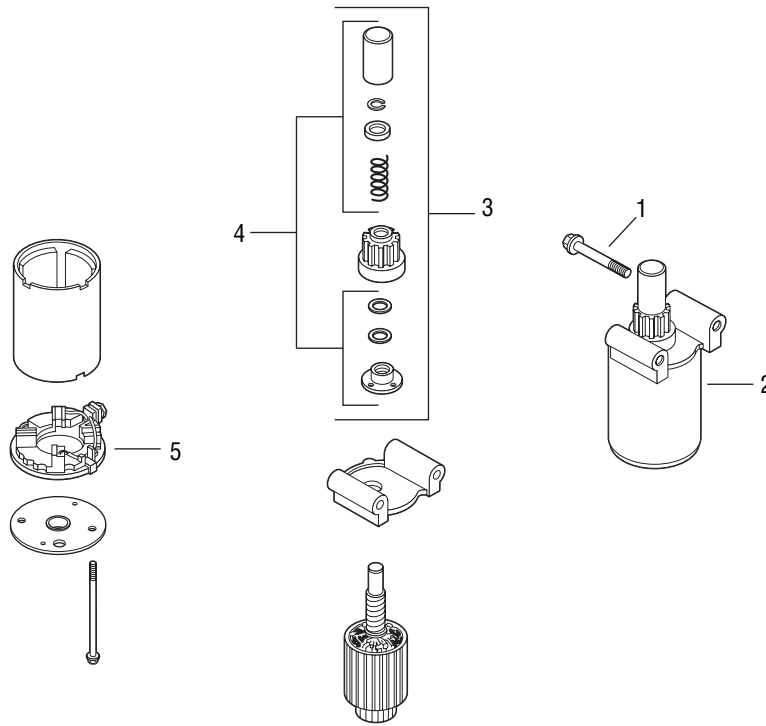
## ENGINE — OIL PAN / LUBRICATION



REF. NO.	PART NUMBER	DESCRIPTION	QTY.
1	32 199 02-S	Pan assembly, oil (Includes 2-15)	1
2	32 086 01-S	Screw, hex. flange thread forming shoulder	2
3	32 393 08-S	Oil pump assembly	1
4	24 043 12-S	Kit, governor gear w/pin (Includes 5)	1
5	12 380 01-S	Pin, governor regulating	1
6	24 448 02-S	Tab, locking	1
7	12 144 02-S	Shaft, governor gear	1
8	52 032 08-S	Seal, oil (PTO end)	1
9	32 123 01-S	Tube, oil feed - filter to oil pan	1
10	32 123 03-S	Tube, oil feed - oil pan to filter	1
11	24 153 01-S	O-Ring	2
12	32 029 10-S	Adapter, oil filter (Includes 13,14)	1
13	25 139 60-S	Plug, hex. ctsk. 1/8"	1
14	32 153 02-S	O-Ring, oil filter adapter	1
15	32 136 03-S	Nipple, oil filter	1
16	25 099 24-S	Switch, pressure	1
17	52 050 02-S	Filter, oil	1
18	24 086 17-S	Screw, hex. flange M8x1.25x45	1
19	24 086 16-S	Screw, hex. flange M8x1.25x45	9
20	25 139 57-S	Plug, sq. hd. solid 3/8"	1

NOTE: Include a KH- prefix when ordering replacement engine parts (i.e. KH-24 164 51-S).

## ENGINE — STARTING SYSTEM



REF. NO.	PART NUMBER	DESCRIPTION	QTY.
1	M-839080-S	Screw, hex. flange M8x1.25x70	2
2	32 098 01-S	Starter assembly (Includes 3-5)	1
3	12 755 39-S	Kit, drive	1
4	12 755 38-S	Kit, drive parts	1
5	12 243 04-S	Commutator, end cap	1

NOTE: Include a KH- prefix when ordering replacement engine parts (i.e. KH-24 164 51-S).

**CUB CADET LLC, P.O. BOX 361131 CLEVELAND, OHIO 44136-0019**