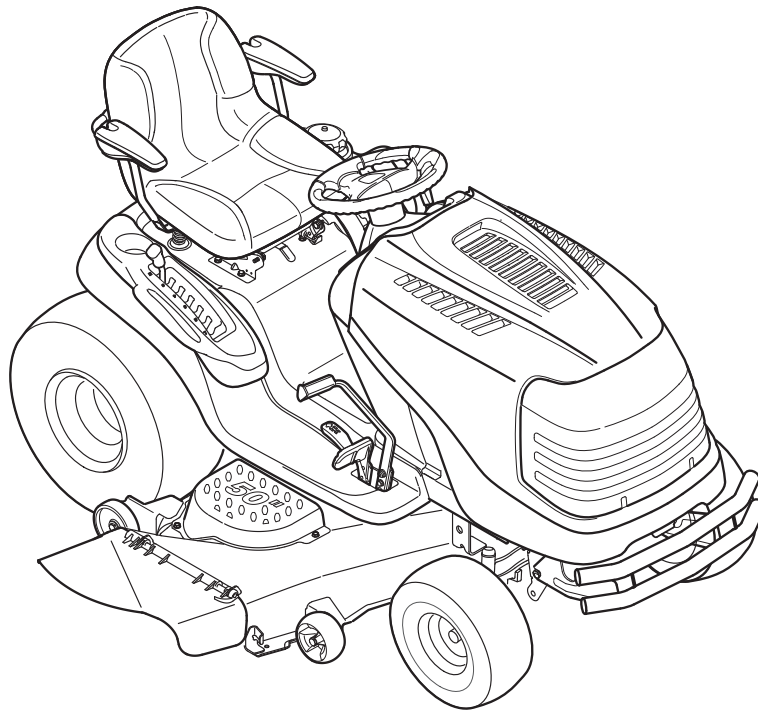


---

# *Cub Cadet.*

## ILLUSTRATED PARTS MANUAL



**Hydrostatic Lawn Tractor — SLT1550 & SLT1554**

---

**CUB CADET LLC, P.O. BOX 361131 CLEVELAND, OHIO 44136-0019**

---

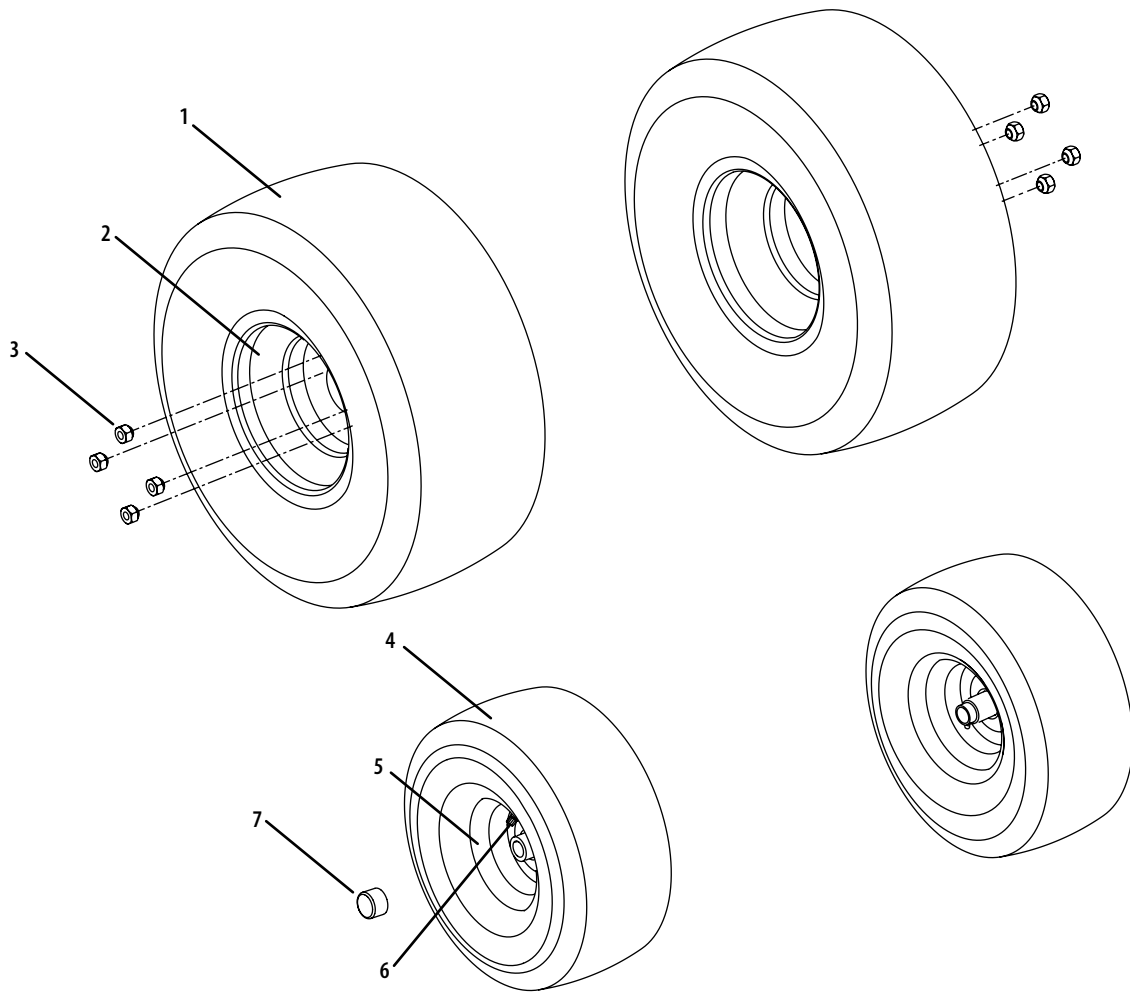
# SERIES 1550 & 1554 HYDROSTATIC LAWN TRACTORS

## TABLE OF CONTENTS

DESCRIPTION	PAGE	DESCRIPTION	PAGE
Axle, Front .....	12	<b>SV730 &amp; SV740 KOHLER TWIN-CYLINDER ENGINES</b>	
Battery .....	6	Air Intake/Filtration.....	28
Deck, 50-inch .....	22	Blower Housing.....	29
Deck, 54-inch .....	24	Crankcase .....	30
Dash Panel .....	6	Cylinder Head .....	32
Drive System .....	10	Engine Controls.....	33
Electrical Schematic .....	38	Fuel System.....	34
Engine Accessories .....	16	Ignition / Electrical .....	35
Fender .....	8	Oil Pan / Lubrication.....	36
Frame .....	14	Starting System.....	37
Fuel Tank .....	8		
Head Lamp .....	4		
Hood .....	4		
Lift Linkage .....	20		
Label Map .....	21		
Pedal Assembly.....	19		
PTO .....	14		
Seat .....	18		
Steering .....	12		
Transmission, Hydrostatic .....	26		
Wheels, Front & Rear .....	3		

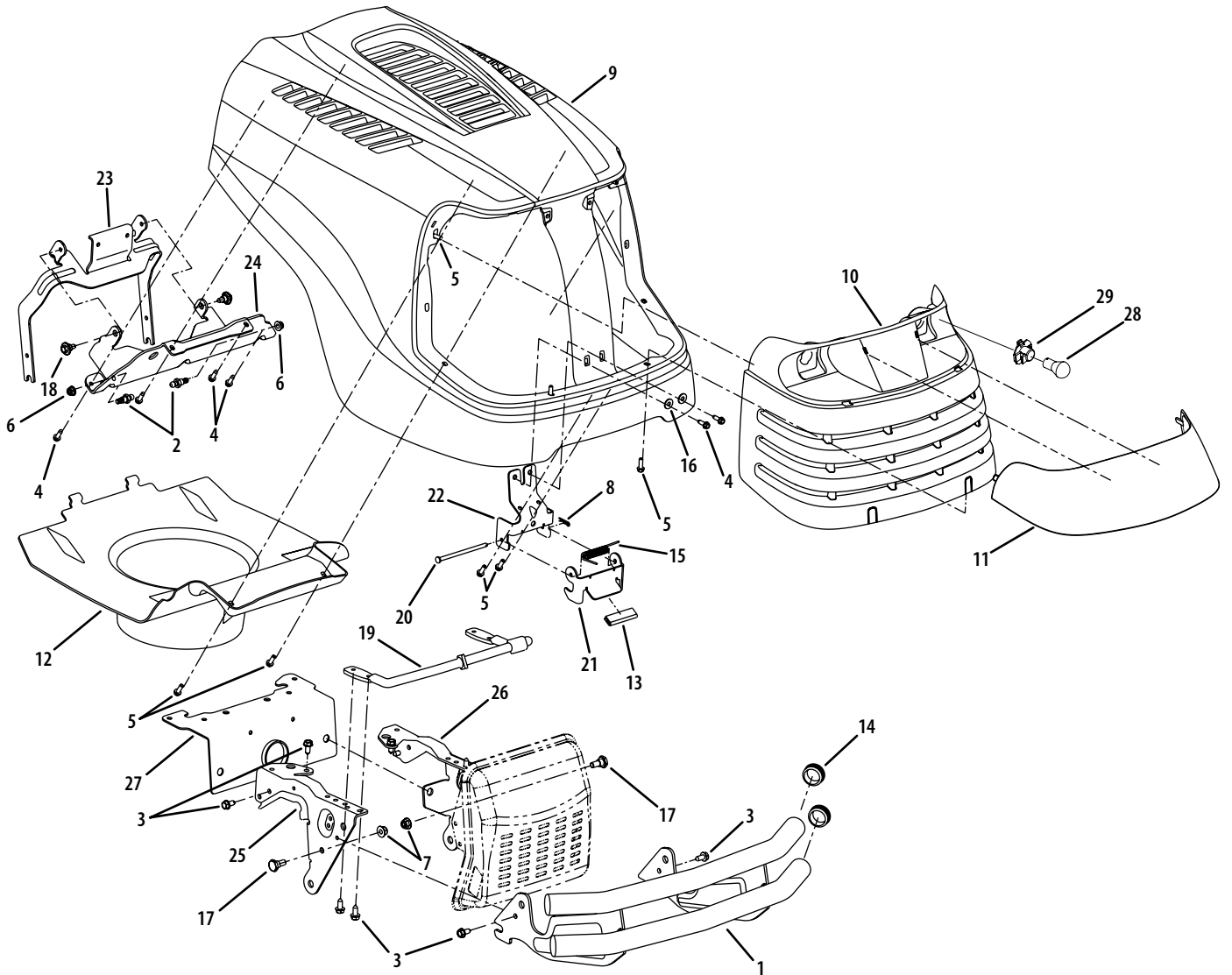
**NOTE:** For painted parts, please refer to the list of color codes below. Please add the applicable color code, wherever needed, to the part number to order a replacement part. For instance, if a part, numbered 700-xxxx, is painted Cub Yellow, the part number to order would be 700-xxxx-0716.

Cub Yellow: 4021  
Cub Beige: 0499  
Powder Black: 0637



Ref.	Part Number	Description
1	734-04174	Tire, 22 x 9.5 x 12 Square Shoulder
2	634-04238	Rim Assembly, 12.0 x 7.0 (4-Lug)
	734-0255	Valve, Tubeless Air (not shown)
3	712-3050	Lug Nut, 7/16-14
4	734-1731	Tire, 15 x 6 x 6 Square Shoulder
5	634-04405	Rim Assembly, 6 x 4.5 (Includes Flange Bearings and Valve)
	741-0990B	Bearing, Flange .760 ID w/ Grease Ftg.
	741-0516B	Bearing, Flange .760 x 1.00 x 1.20 Lg.
6	734-0255	Valve, Tubeless Air
7	731-05674	Hub Cap

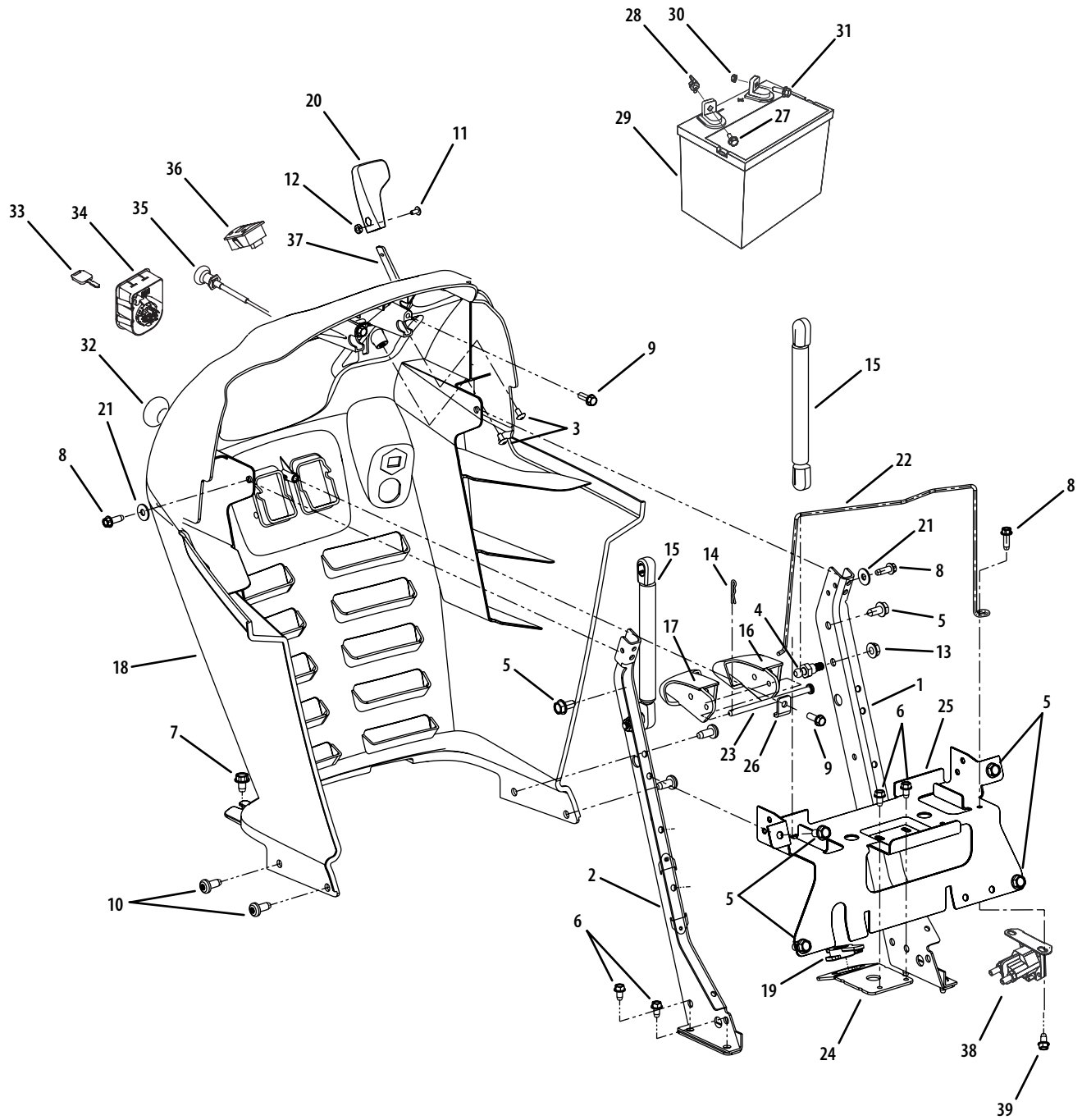
# Hood & Grille



Ref.	Part Number	Description
1	683-04218	Bumper
2	710-04471	Bolt, Ball Shoulder, 5/16-18 x .48
3	710-04484	Screw, Hex, 5/16-18 x .750
4	710-0642	Screw, Self Tapp, 1/4-20 x.750
5	710-0895	Screw, 1/4-15 x.750
6	712-04063	Nut, Flange Lock, 5/16-18
7	712-04065	Nut, Nylon Lock, 3/8-16
8	714-0104	Pin, Cotter,.072 Dia. x 1.13
9	731-05053B	Hood
10	731-05103	Grill
11	731-05111	Lens
12	731-05129	Hood Plenum
13	731-05291	Vinyl Strip, 2.5"
14	731-05368	Cap, Bumper
15	732-04281A	Latch Spring
16	736-0173	Washer, Flat, .28 x .74 x .063
17	738-0143	Screw, Shoulder, 3/8-16
18	738-04091A	Screw, Shoulder, 5/16-18
19	747-04494	Hood Latch Rod
20	747-1323A	Rod,.250 Dia. x 4.55
21	783-04717A	Latch Pivot Bracket
22	783-04848	Latch Plate
23	783-05028	Hood Pivot Rod
24	783-05029A	Hood Hinge Bracket
25	783-0726E	Pivot Support Bracket, RH
26	783-0727D	Pivot Support Bracket, LH
27	783-0728B	Pivot Bar Bracket
28	725-0963	Miniature Lamp, 12V
29	725-1649	Lamp Socket
—	629-04142A*	Headlight Harness

\* Not Shown

# Dash Assembly, Battery & Solenoid



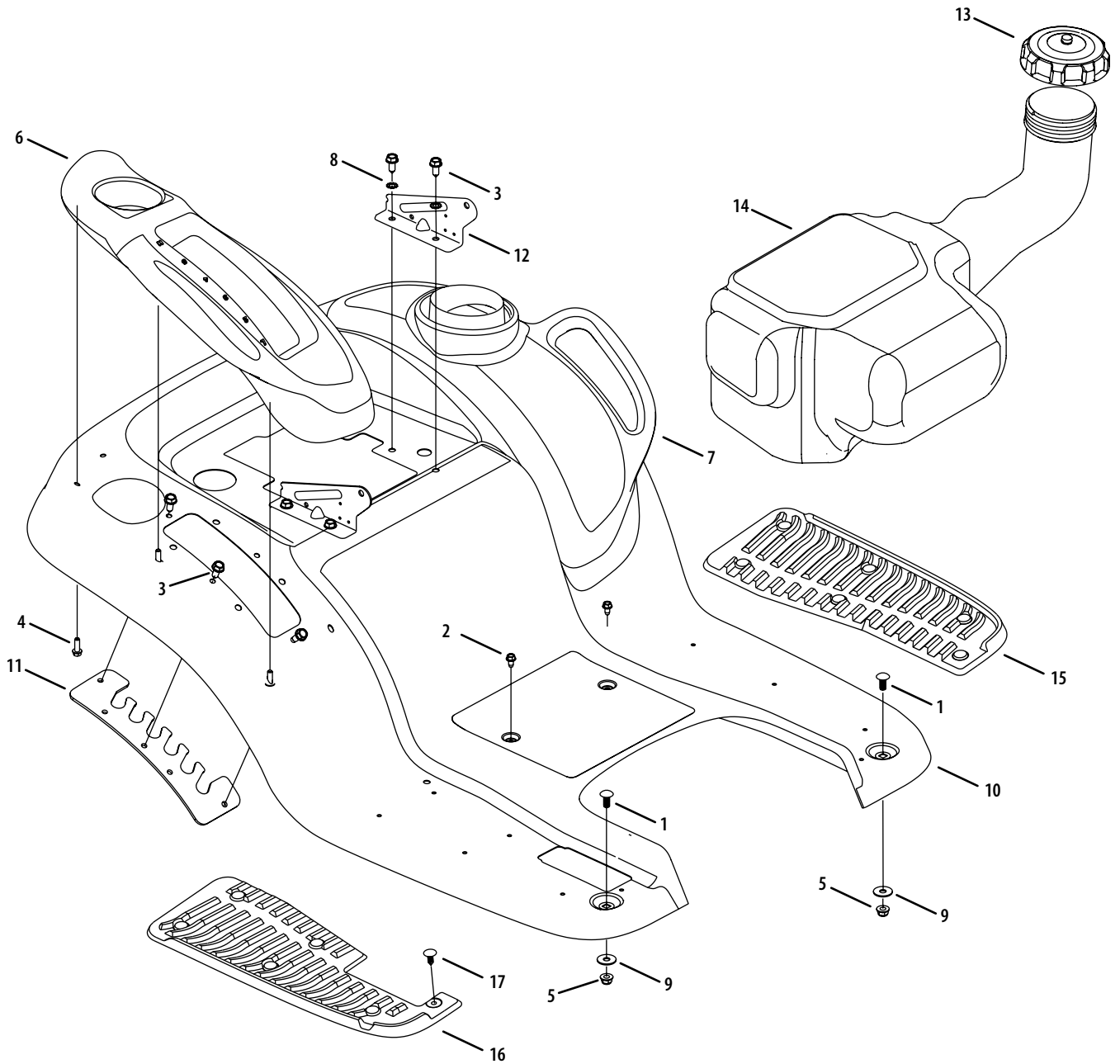
## Dash Assembly, Battery & Solenoid

Ref.	Part Number	Description
1	683-04231	Dash Support, LH
2	683-04232	Dash Support, RH
3	710-0192	Screw, #10-24 x .375
4	710-04471	Screw, Shoulder Ball, 5/16-18 x .48
5	710-04484	Screw, Hex, 5/16-18 x .750
6	710-0599	Screw, Self-tapping, 1/4-20, 0.500
7	710-0607	Screw, Hex, 5/16-18 x .500
8	710-0642	Screw, 1/4-20, .750
9	710-0895	Screw, 1/4-15, 0.750
10	710-1611B	Screw, Torx Hd. Tapp. 5/16-18 x .75
11	710-3217	Screw, Machine, #8-32, 0.375
12	712-0142	Nut, 8-32
13	712-3004A	Nut, Flangelock, 5/16-18
14	714-0104	Internal Cotter Pin, .072 x 1.13
15	727-04142	Gas Spring Cylinder
16	731-04293A	Lever, Dash, Brake
17	731-04294A	Lever, Dash, Cruise
18	731-05077C	Cub 1500 Dash
19	731-05659	Steering Column Bearing
20	731-3161A	Knob, Throttle Control
21	736-0173	Washer, Flat, .28 x .74 x .063

Ref.	Part Number	Description
22	747-04215	Hold-down Rod, Battery
23	747-1323A	Rod, .250 Dia x 4.25 Lg.
24	783-05240A	Bracket, Steering Support
25	783-05469	Bracket, Support, Battery
26	783-1499	Bracket, Rod, Dash
27	738-1132	Shoulder Screw, .250 x .150, 1/4-20
28	712-3087	Wing Nut, 1/4-20
29	725-1750A	Battery, 235 CCA (LT1046 & LT1050)
30	712-0271	Nut, Sems, 1/4-20
31	710-04666	Screw, Flange, 1/4-20, .75,
32	725-04175	Switch, PTO, Yellow
33	725-2054A	Ignition Key, Plastic
	725-1744A	Ignition Key, Metal
34	725-04227B	Switch Module, Ignition
35	746-04120	Choke, 40.5 x 2.0
36	725-04022B	Monitor, Sys. Indicator / Hour Meter
37	746-04352	Throttle, 38.0 x 1.62
38	725-04439	Solenoid, 12V, 100 Amp
39	710-0642	Screw, 1/4-20
—	725-04405A*	Wire Harness
—	725-2003*	12V Power Receptacle

\* Not Shown

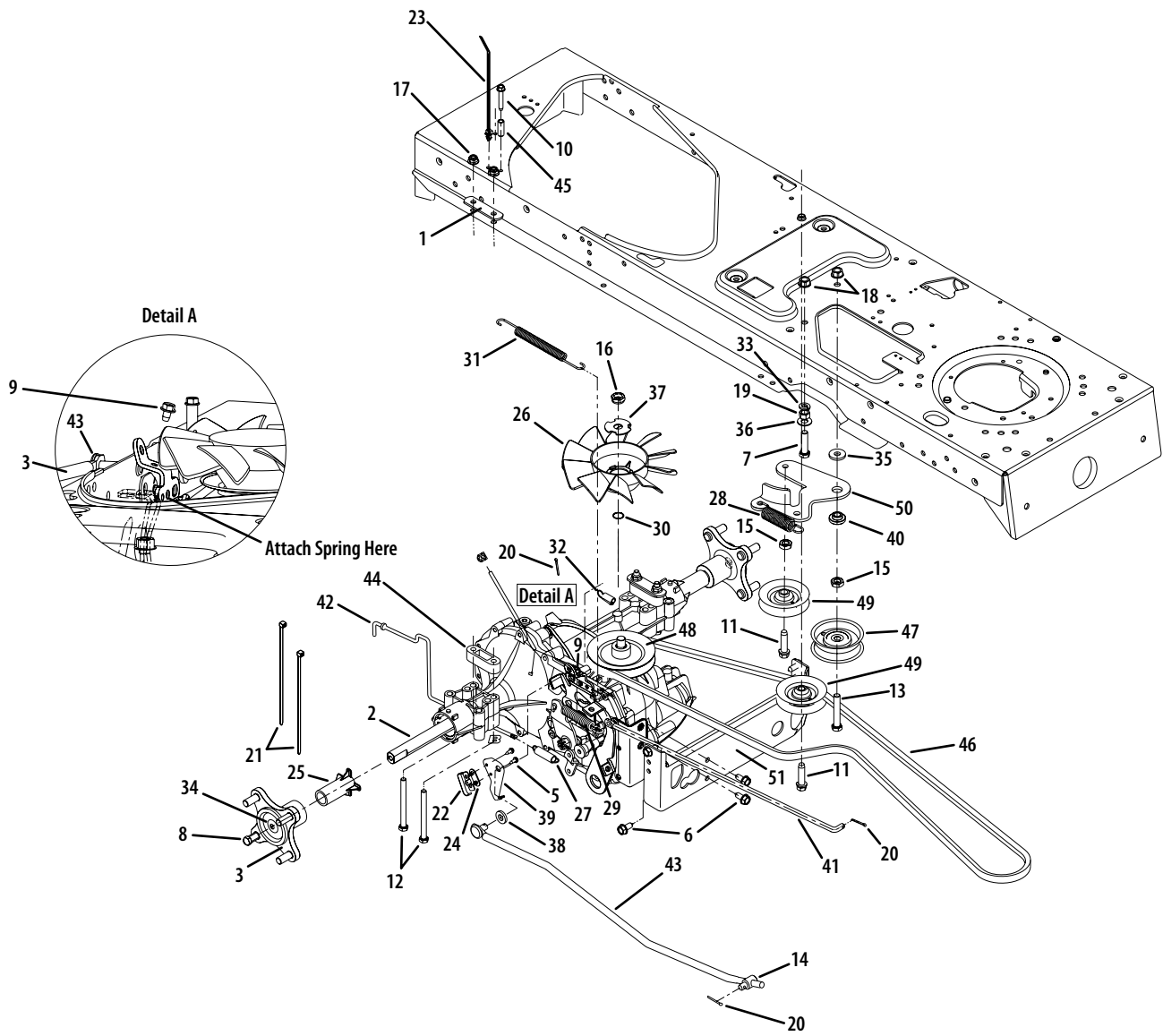
# Fender & Fuel Tank





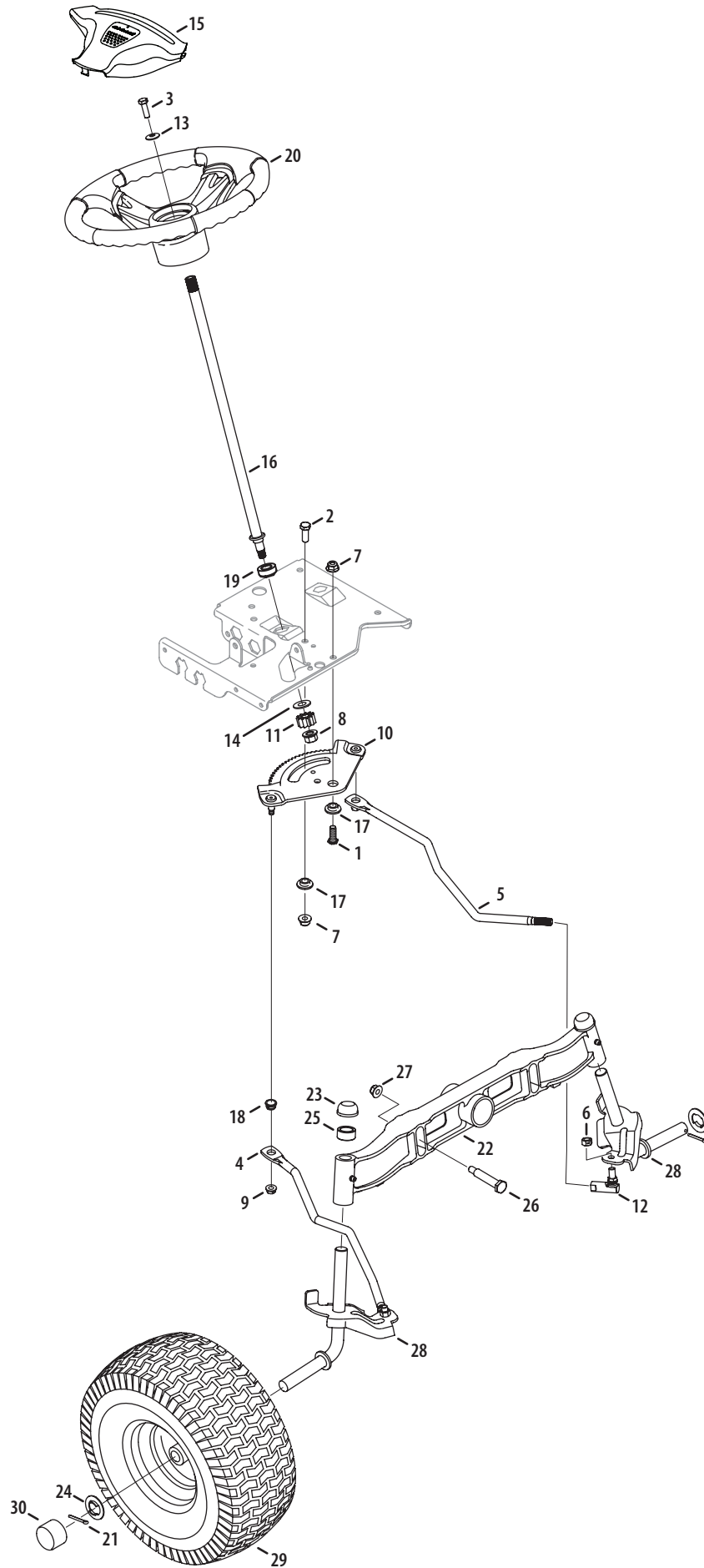
Ref.	Part Number	Description
1	710-0451	Bolt, Carriage, 5/16-18 x .750
2	710-0599	Screw, Self-tapping, 1/4-20, 0.500
3	710-04484	Screw, 5/16-12, 0.75
4	710-0895	Screw, 1/4-15, 0.750
5	712-04063	Nut, Nylon Lock, 5/16-18
6	731-2616A	Cover, Fender, RH
7	731-2617	Cover, Fender, LH
8	736-0607	Washer, Lock, 5/16 External Tooth
9	736-3078	Washer, Flat, .349 x 1.00 x .063
10	783-04477A	Fender
11	783-0677B	Bracket, Lift, Adjustment
12	783-1489C	Bracket, Seat, Mount
13	751-3124D	Cap, Fuel
14	751-0819B	Tank, Fuel
15	735-0697A	Pad, Foot, LH
16	735-0698B	Pad, Foot, RH
17	726-3046	Clip, Ratchet, .250 Dia

# Drive System



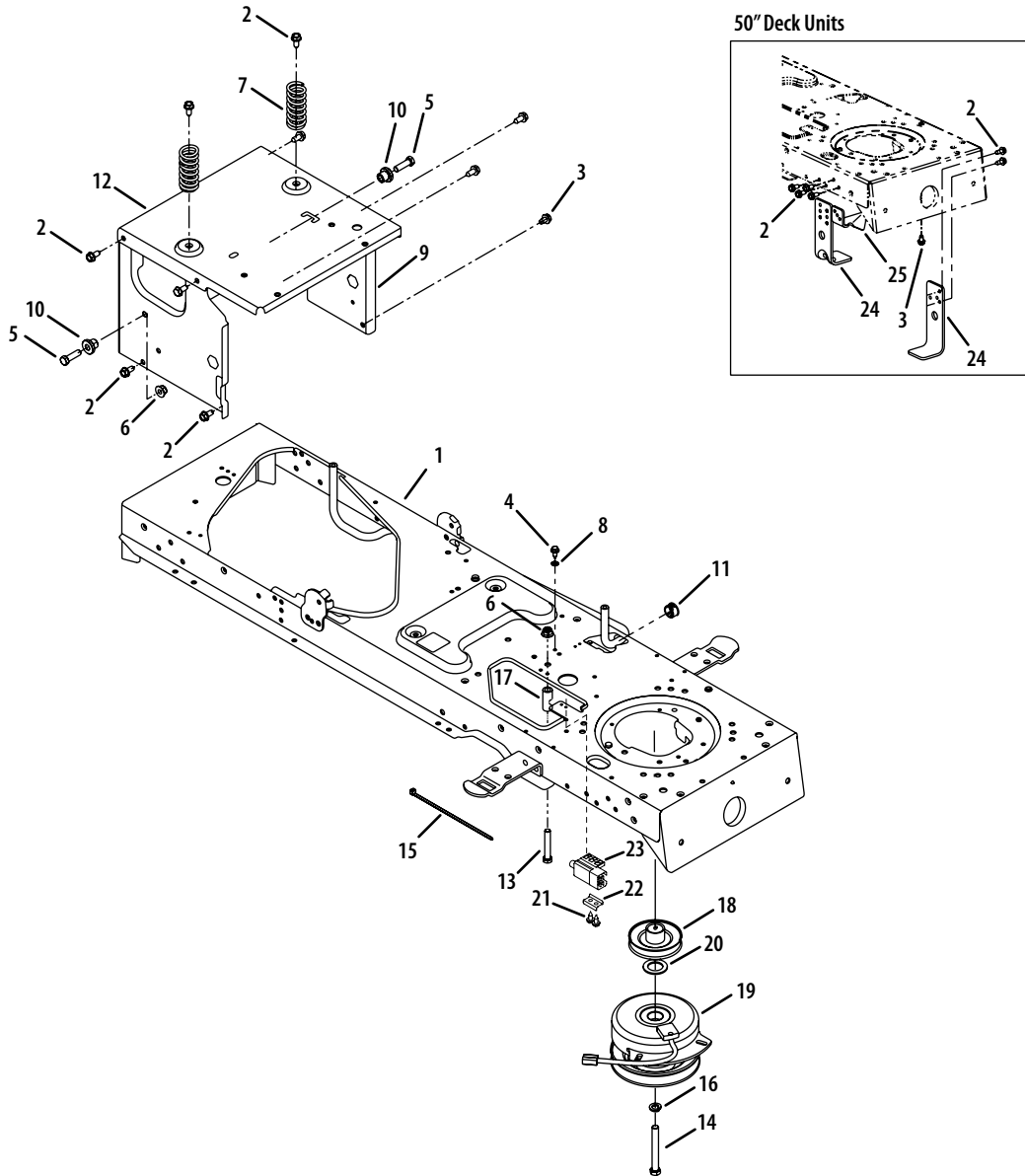
Ref.	Part Number	Description	Ref.	Part Number	Description
1	17840	Bracket, Mounting, Transaxle	27	732-0209	Spring, .48 OD x 2.03 Extension
2	618-04270B	Transmission, Hydrostatic	28	732-04323B	Spring, Extension, .563 Dia x 3.72 Lg
3	618-04228	Hub Assembly, Wheel	29	732-0716D	Spring, Extension, .59 OD x 4.00 Lg
4	629-04124	Harness Assembly, Grnd. & Rev.	30	732-0729	Ring, Wire
5	710-0227	Screw, #8-18, 0.500	31	732-0994	Spring, Extension, .500 Dia x 7.0
6	710-04484	Screw, 5/16-12, 0.75	32	732-3118	Spring, Extension, 3/8 OD x 1.44
7	710-0520	Hex Cap Screw, 3/8-16, 1.50, Gr5	33	736-0169	Washer, Lock, 3/8, Regular Duty
8	710-0627	Hex Cap Screw, 5/16-24 x .750	34	736-0242	Bell Washer
9	710-0653	Screw, 1/4-20 x .375	35	736-0258	Washer, Flat, .385 x 1.0 x .135
10	710-0778	Hex Cap Screw, 1/4-20, 1.5, Gr5	36	736-0300	Washer, Flat, .406 x .875 x .059
11	710-1007	Screw, 3/8-16, x 1.50	37	736-04263	Washer, Lock, Hydro
12	710-1266	Hex Cap Screw, 5/16-18,3.5, Gr5	38	736-3010	Washer, Flat, .407 x .812 x .135
13	710-3011	Hex Cap Screw, 3/8-16, 2.25, Gr5	39	783-1019B	Bracket, Actuator, Switch
14	711-0832	Ferrule, 3/8-24 x .375 Dia	40	738-0372B	Spacer, Shoulder, 1.00 x .38 x .38
15	712-0240	Nut, Jam, 7/16-20, Gr2	41	747-04139	Rod, Brake, Hydro
16	712-0346	Nut, Jam Lock, 1/2-20, Gr5	42	747-1149	Rod, Hydro Bypass
17	712-04063	Nut, Hex Nylon Lock, 5/16-18	43	747-1151	Rod, Control, Hydro
18	712-0431	Nut, Flange Lock, 3/8-16	44	748-0334	Spacer, T-axle .68
19	712-3017	Nut, Hex, 3/8-16, Gr8	45	750-0566A	Spacer, 1"
20	714-0111	Pin, Cotter, 3/32, 1.0	46	754-04165	Belt, V Type, Poly
21	725-0157	Cable, Tie, 3/16 x .05 x 7.4	47	756-04224	Pulley, Idler, Flat 2.75 OD
22	725-1644	Switch, Spring, Short	48	756-04308	Pulley, Engine, 4.13 Dia.
23	726-0154	Tie, Cable, Push Mount 7.5 Lg	49	756-04325	Pulley, Idler, V Type x 3.06 Dia
24	726-0320	Plate, Insulator Nut	50	783-04442	Bracket Assembly, Idler, Center Dbl
25	731-05300	Sleeve, 2.4"	51	783-0810B	Bracket, Transmission, Torque
26	731-06098	Fan, Blade			

# Steering



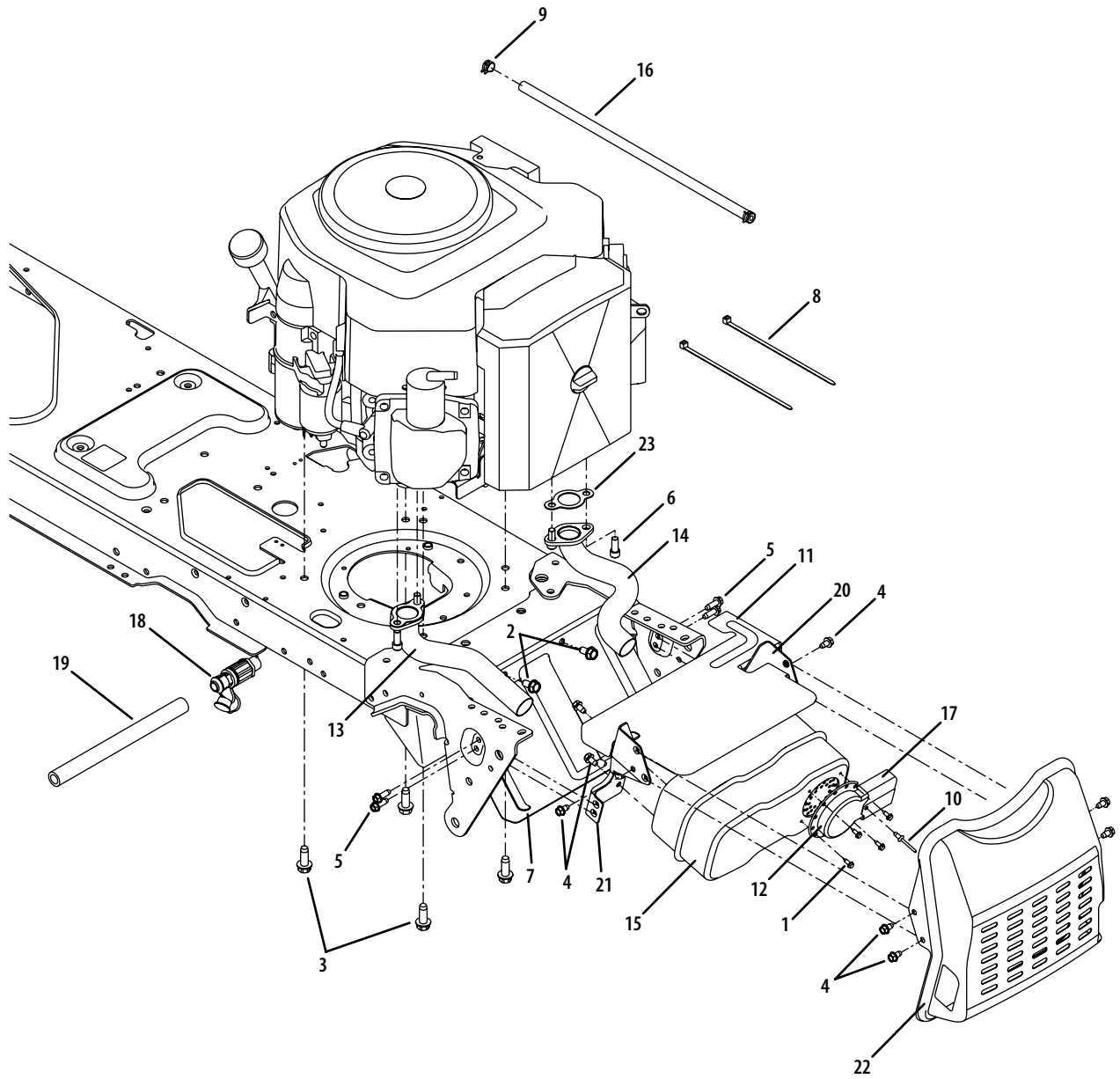
Ref.	Part Number	Description
1	710-04095	Hex Cap Screw, 3/8-16, 1.00
2	710-0514	Hex Cap Screw, 3/8-16, 1.00, Gr5, Std
3	710-0650	Self-tapping Screw, 5/16-18 x .75
4	711-1408	Link, Drag, RH
5	711-1409A	Link, Drag, LH
6	712-0214	Nut, Hex, 3/8-24, Gr5
7	712-04065	Nut, Nylon Lock, 3/8-16
8	712-0459	Nut, Flange Lock, 7/16-20
9	712-3004A	Nut, Flange Lock, 5/16-18
10	717-1550E	Gear, Steering, 11/90 Ratio
11	717-1554	Gear, Pinion, Steering
12	723-0448A	Ball Joint, 7/16-20
13	736-3004	Washer, Flat, .406 x .875 x .105
14	736-3084	Washer, Flat, .510 x 1.120 x .060
15	731-04532A	Cover, Steering Wheel
16	738-04262	Shaft, Steering, .625 OD x 25.00 Lg
17	738-04154	Spacer, Shoulder, 1.00 x .38 x .38
18	741-0475	Bushing, Plastic, .380 ID
19	741-04237	Bearing, Hex Flange, 5/8
20	631-04008A	Wheel, Steering, Three Spoke
21	714-0162	Pin, Cotter, 5/32, 1.25
22	719-04177A	Axle, Pivot Bar, Cast
23	726-0341	Push Cap, .75
24	736-04228A	Washer, Flat, .781 x 1.590
25	748-04068	Spacer, .71 x .125 x .56
26	738-1011A	Screw, Shoulder, .500 x 2.23, 3/8-16
27	712-04065	Nut, Jam, 3/8-16, Grf.
28	638-04003A	Axle Ass'y, LH .750 Dia.
	638-04004A	Axle Ass'y, RH .750 Dia.
29	634-04406	Wheel Assembly (See page 3 for breakdown)
30	731-05674	Hub Cap

# Frame & Electric PTO Clutch



Ref.	Part Number	Description
1	683-04173B	Frame Assembly, Lower
2	710-04484	Screw, Self-tapping, 5/16-18, 0.75
3	710-0607	Screw, Hex Wash. Tapp, 5/16-18 x .5
4	710-1652	Screw, Hex Wash. Hd. Tapp, 1/4-20 x 0.625
5	710-3005	Hex Screw 3/8-16 x 1.25
6	712-04065	Nut, Nylon Lock, 3/8-16
7	732-04035	Spring, Compression, 1.28 OD x 3.125
8	736-0222	Washer, Lock, Ext. 1/4
9	783-04810C	Frame, Upper
10	738-04058	Shoulder Spacer
11	741-04092	Snap Bushing
12	783-04746	Bracket, Frame, Seat
13	710-3011	Screw, 3/8-16 x 2.25 GR5
14	710-04379A	Screw, Hex Cap , 7/16-20 x 3.5 GR5
15	725-0157	Cable, Tie, 3/16 x .05 x 7.4
16	736-0171	Washer, Lock, 7/16, Regular Duty
17	748-0415B	Spacer, 3/8 x 1.54
18	756-0978B	Electric PTO Engine Pulley
19	717-04174A	Clutch, PTO (50" Deck Models)
	717-1774C	Clutch, PTO (54" Deck Models)
20	736-0277	Washer, Flat, 1.031 x 1.62 x .095
21	710-0224	Screw, #10 - 16, x .500
22	17962	Switch Mounting Plate
23	725-04039	Interlock Switch
24	783-04975	Up-stop Bracket - 50" Deck Units Only
25	783-04419B	Clutch Bracket

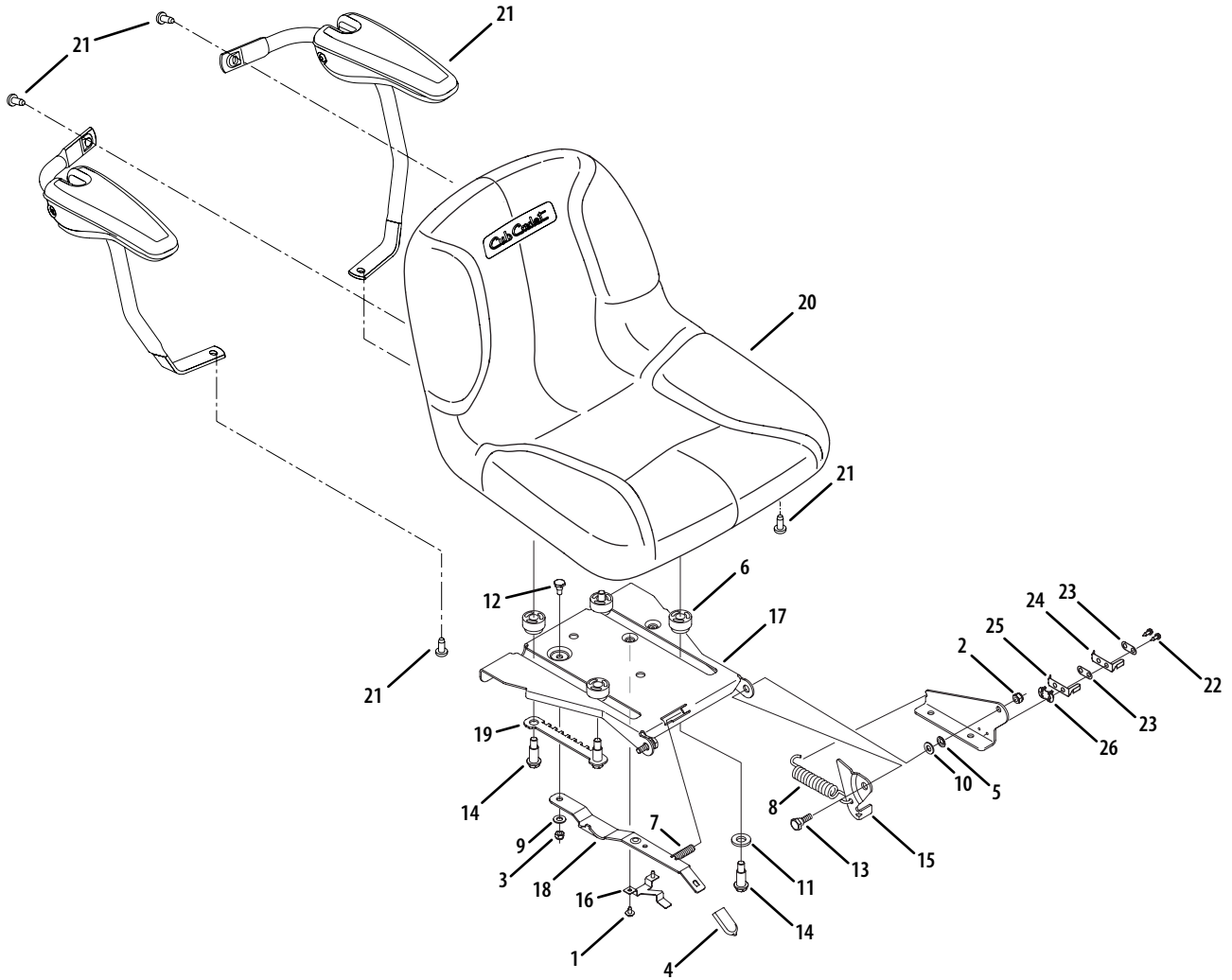
# Engine Accessories





Ref.	Part Number	Description
1	710-0227	Screw, #8-18, 0.500
2	710-04484	Screw, 5/16-18, 0.750
3	710-04683	Screw, Hex, 3/8-16 x 1.00
4	710-0599	Screw, Hex, 1/4-20, 0.500
5	710-0642	Screw, Hex, 1/4-20, 0.750
6	710-1314A	Screw, 5/16-18, 0.75
7	783-05410	Muffler Heat Shield
8	725-0157	Cable, Tie, 3/16 x .05 x 7.4
9	726-0205	Hose Clamp
10	728-04000	Rivet, Pop, .188 x .325
11	783-04783A	Heat Shield, Twin
12	751-0564B	Deflector, Muffler
13	751-10006	Pipe, Exhaust, RH
14	751-10007	Pipe, Exhaust, LH
15	751-10161	Muffler, Dual Inlet
16	751-10349	Fuel Line, Low Permeation
17	751-10353	Extension, Deflector
18	751-10517	Drain, Oil
19	751-3141	Extension Hose, Oil Drain
20	783-04573	Muffler Bracket, LH
21	783-04574	Muffler Bracket, RH
22	783-04576B	Shield, Muffler
23	KH-20-041-12-S	Exhaust Gasket

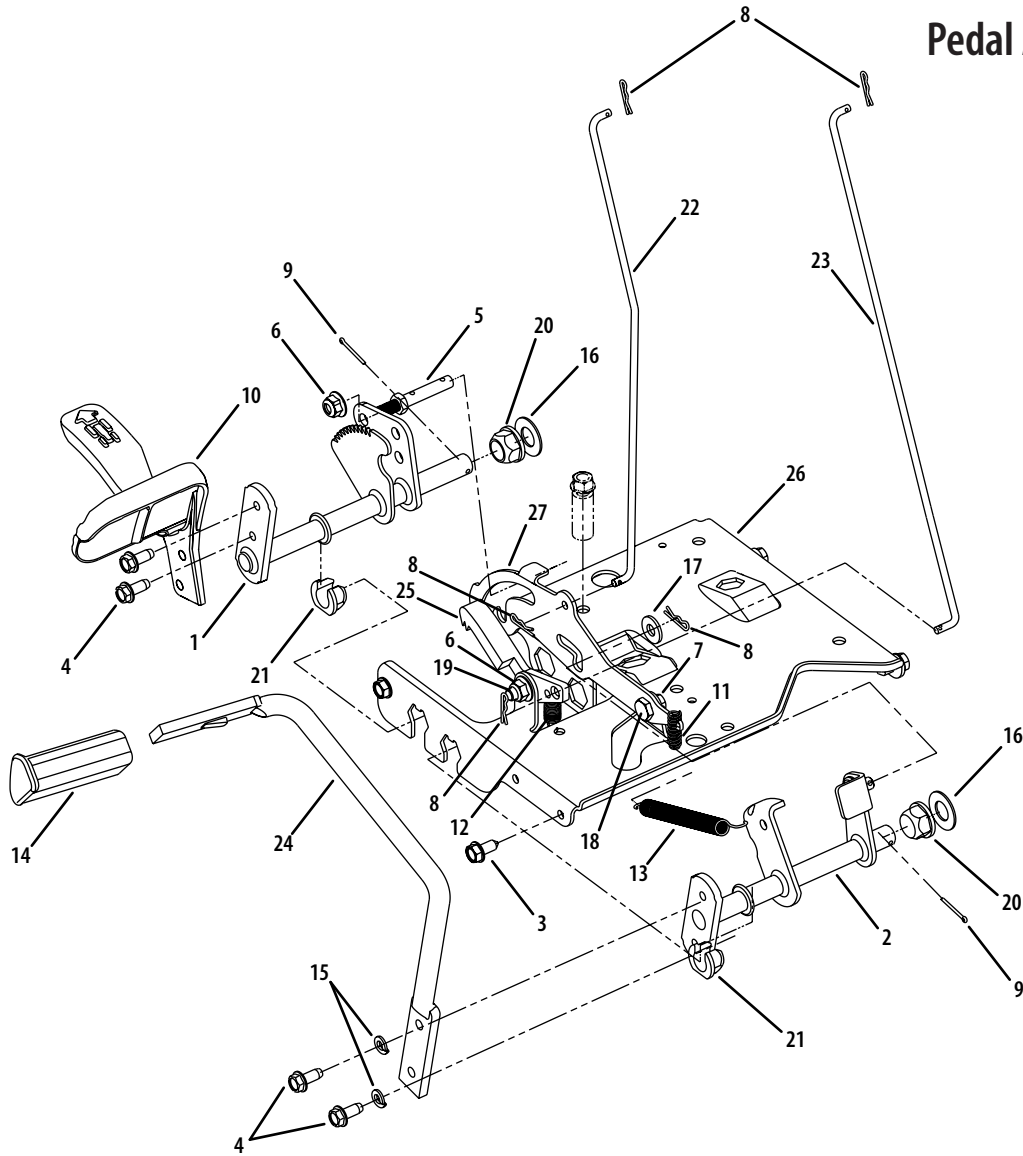
# Adjustable Seat



Ref.	Part Number	Description
1	710-1268	Screw, #10-16, 0.375
2	712-04063	Nut, Nylon Lock, 5/16-18, Gr5
3	712-04064	Nut, Nylon Lock, 1/4-20 GrF
4	720-0309A	Grip, Seat, Adjustment
5	726-0201	Nut, Speed, .3125 ID
6	731-04074	Spacer, Seat, Adjustment
7	732-0499	Spring, Compression .41 x 1.50
8	732-1184	Spring, Extension, .80 Dia x 4.6
9	736-0204	Washer, Flat, .344 x .620 x .033
10	736-0242	Washer, Flat, .340 x .872 x .060
11	736-3019	Washer, Flat, .531 x 1.062 x .134
12	738-0137A	Screw, Shlder, .340 x .285, 1/4-20
13	738-0296	Shoulder, Screw .437 x .286 Lg

Ref.	Part Number	Description
14	738-0966A	Screw, Shoulder, .50 x.925, 3/8-16
15	783-0209D	LH Bracket, Seat Lift
16	783-0611	Stop, Seat, Adjustment
17	783-0738D	Bracket, Seat Pivot
18	783-0739A	Lever, Seat, Adjustment
19	783-0753	Selector, Seat, Adjustment
20	757-04058	Seat, Cub Cadet, High Back
21	757-04073	Arm Rest Kit (incl. screws, RH & LH)
22	710-0227	Screw, #8-18 x .50
23	726-0279	Plate, Insulator
24	725-1303	Spring Switch, Outer
25	725-1439	Spring Switch, Inner
26	726-0278	Plate, Insulator Boss

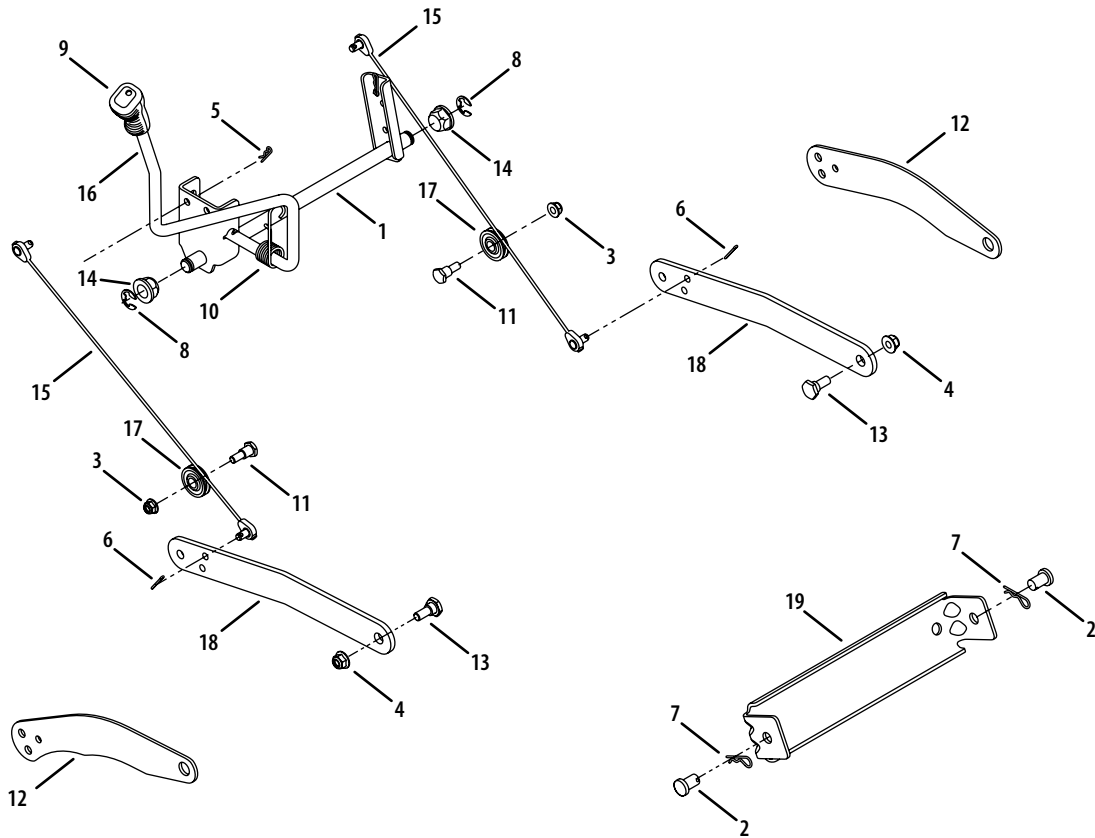
# Pedal Assembly



Ref.	Part Number	Description
1	647-0049A	Control Assembly, Hydro
2	647-04100	Control Assembly, Brake
3	710-04484	Screw, Self-tapping, 5/16-18, 0.75
4	710-1260A	Screw, Self-tapping, 5/16-18, 0.75
5	711-04159B	Pin, 3/8-16, 3/8 x 2.68
6	712-04065	Nut, Nylon Lock, 3/8-16
7	712-3004A	Nut, Flange Lock, 5/16-18, Gr5
8	714-0104	Pin, Cotter, .072 Dia. x 1.13 Lg
9	714-0111	Pin, Cotter, 3/32, 1.0
10	719-0584B	Pedal, Hydro Control
11	732-0335	Spring, Compression, .405 x 1.17
12	732-0955	Spring, Extension, .50 OD x 1.41 Lg
13	732-0963	Spring, Extension, .50 Dia x 6.37 Lg
14	735-3049A	Pad, Brake, Control

Ref.	Part Number	Description
15	736-0119	Washer, Lock, 5/16
16	736-0187	Washer, Flat, .64 x 1.24 x .06
17	736-0262	Washer, Flat, .385 x .870 x .092
18	738-0155	Shoulder, Screw .437
19	738-0380	Shoulder, Screw 3/8-16
20	741-0225	Bearing, Hex Flange
21	741-3065B	Bearing, Hex Flange, .628 ID, Split
22	747-04093A	Rod, Control, Brake Lock
23	747-04096	Rod, Control, Cruise
24	783-04641A	Pedal, Brake
25	748-04039C	Latch, Cruise
26	783-04612	Bracket, Support, Steering
27	783-0663E	Bracket, Lockout, Hydro

# Lift Assembly

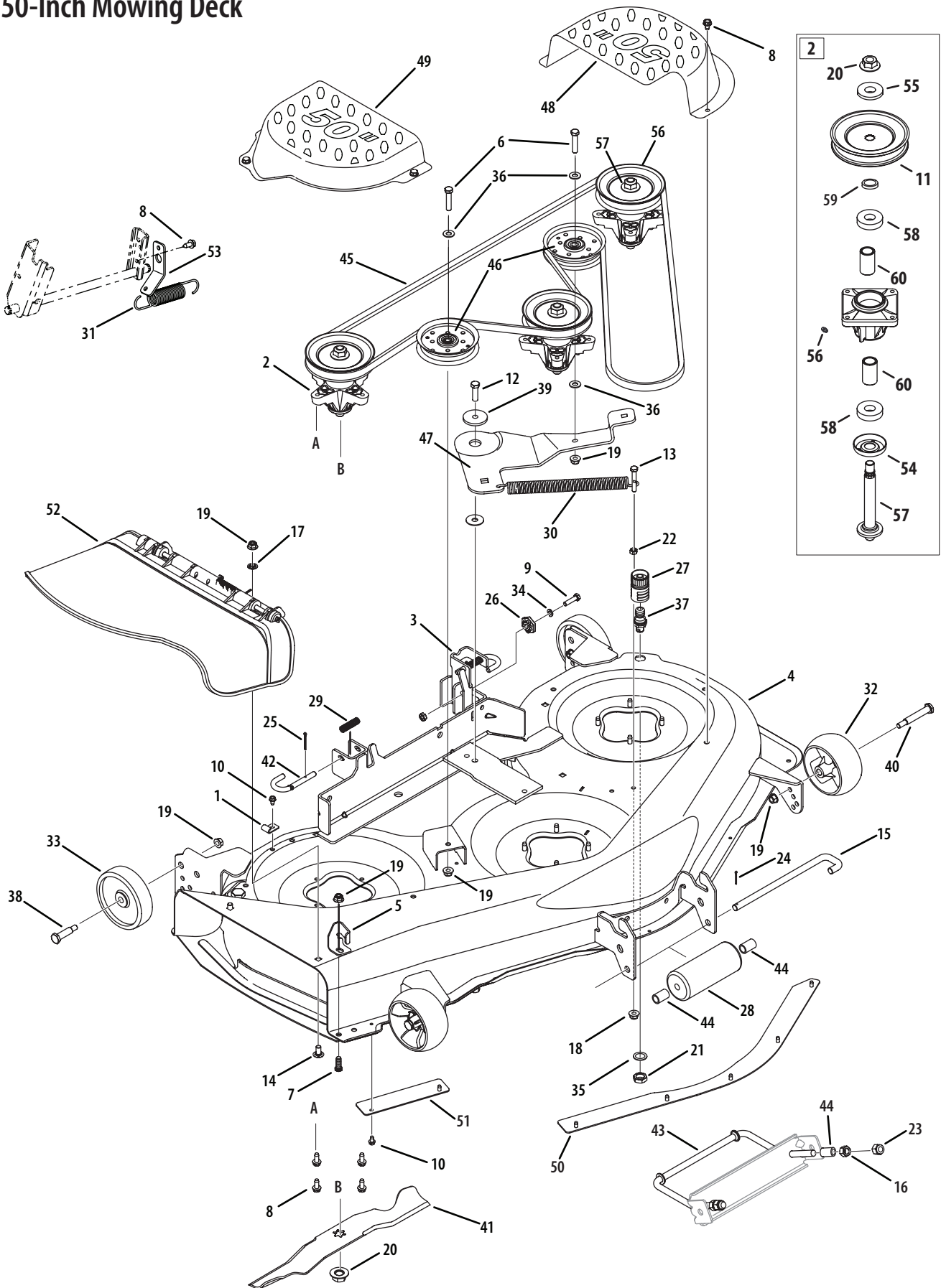


Ref.	Part Number	Description
1	683-04223	Shaft Assembly, Lift (50" Deck)
	683-04301	Shaft Assembly, Lift (54" Deck)
2	711-0332	Pin, Clevis, .50 Dia x .78 Lg
3	712-04063	Nut, Nylon Lock, 5/16-18, Gr5
4	712-04065	Nut, Nylon Lock, 3/8-16
5	714-0104	Pin, Cotter, .072 Dia. x 1.13 Lg
6	714-0111	Pin, Cotter, 3/32, 1.0
7	714-04023	Pin, Click, .092 x 1.64 Lg
8	716-0106A	E-ring, .625 Dia. Shaft
9	720-0311	Grip, Handle

Ref.	Part Number	Description
10	732-0874	Spring, Torsion
11	738-0138A	Screw, Hex Cap, 5/16-18x.620 Gr2
12	783-04963A	Arm, Lift (50" Deck)
13	738-0380	Shldr. Screw, 3/8-16
14	741-0225	Bearing, Hex Flange
15	746-0968	Cable, Lift, 16.16 Lg
16	747-04447	Handle, Lift
17	756-1154	Pulley, Roller
18	783-05546	Arm, Lift (54" Deck)
19	783-0720A	Bracket, Deck



# 50-Inch Mowing Deck

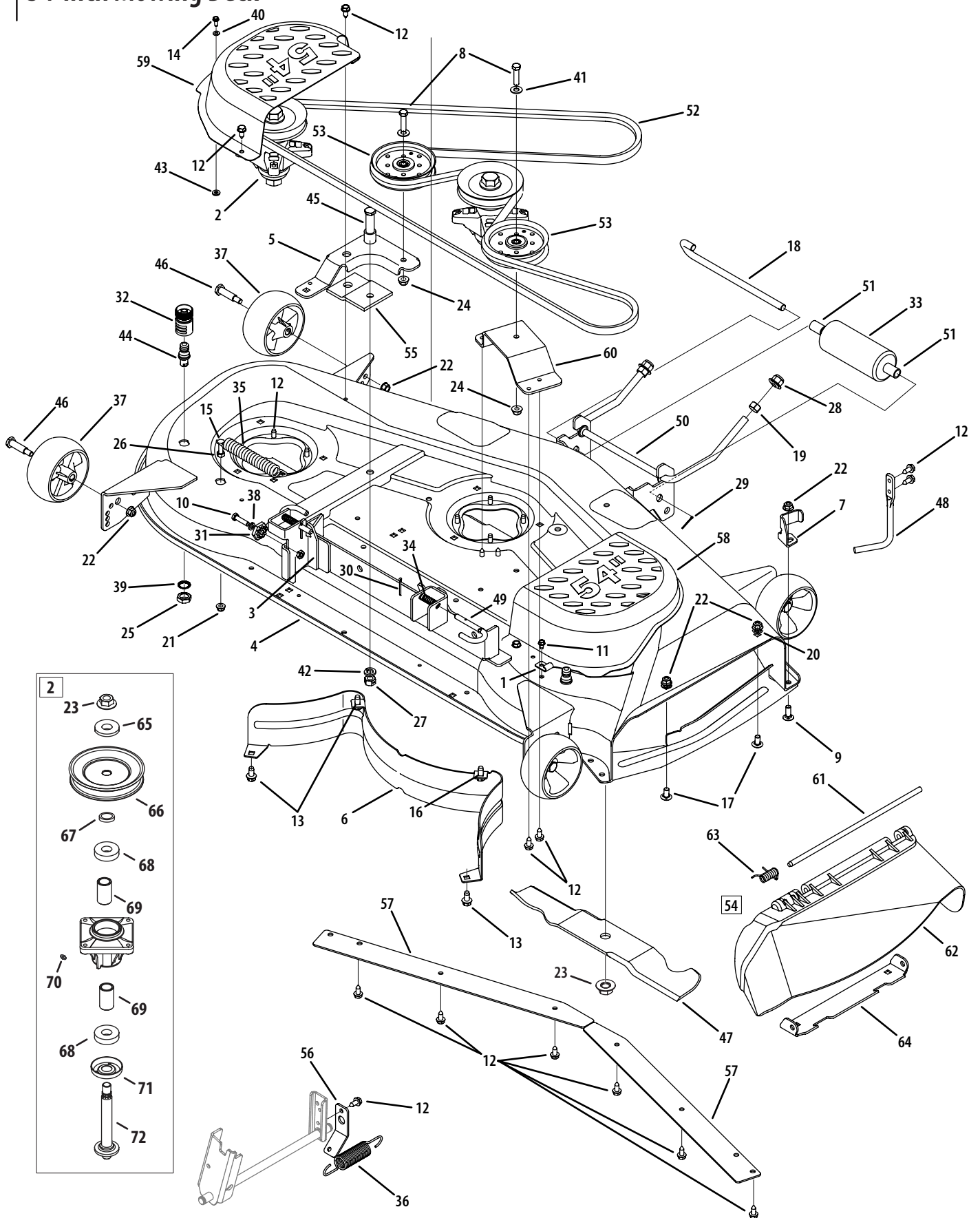


## 50-Inch Mowing Deck

Ref.	Part Number	Description
1	16606	Hook, Retainer
2	618-04126A	Spindle Assembly
3	683-0254B	Hanger Bracket Assembly
4	683-04075B	Weldment, 50-inch Deck
5	703-3279	Chute Stop
6	710-0347	Screw, 3/8-16, 1.75
7	710-04095	Screw, 3/8-16 x 1.0
8	710-04484	Screw, 5/16-18 x .75
9	710-0528	Screw, 5/16-18, 1.25, Gr5
10	710-0599	Screw, 1/4-20 x 0.5
11	756-04216	Pulley, 5.39"
12	710-3005	Screw, 3/8-16, 1.25
13	710-3103	Screw, 5/16-18 x 2.00
14	710-3178	Screw, Carriage, 3/8-16 x .75
15	711-1737	Roller Pin
16	712-0206	Hex Nut, 1/2-13, Gr5
17	712-0229	Push Nut, 3/8
18	712-04063	Nut, Nylon Lock, 5/16-18
19	712-04065	Nut, Nylon Lock, 3/8-16
20	712-0417A	Nut, Hex, Flange, 5/8-18
21	712-0641	Nut, Hex, M16-1.5
22	712-3010	Nut, Hex, 5/16-18, Gr5
23	712-3083	Nut, Hex, 1/2-13, GrB
24	714-0111	Pin, Cotter, 3/32, 1.0
25	714-0470	Pin, Cotter, 1/8 x 1.25
26	717-04074	Deck Adjustment Gear
27	721-04041	Coupler, Hose
28	731-05679	Roller
29	732-0306A	Spring, Compression, .531 x 1.75
30	732-0459C	Spring, Extension, .94 x 6.74

Ref.	Part Number	Description
31	732-0934	Spring, Extension, 1.15 x 5.99
32	734-04155	Deck Wheel, 5.0
33	734-0973	Deck Wheel, 5.0
34	736-0119	Washer, Lock, 5/16
35	736-0225	Washer, Lock, 5/8 Internal tooth
36	736-0300	Washer, Flat, .406 x .875 x .059
37	737-04003D	Port, Water
38	738-0373	Shoulder Screw, .496 x 1.525, 3/8-16
39	738-04162A	Spacer, Shoulder, .884 x .190
40	738-3056	Shoulder Screw, .496 x 2.50, 3/8-16
41	742-04053C	Blade, 17.90 Lg. Star hole, 2 in 1
42	747-1116	Rod, Deck Release .375 Dia.
43	747-1324	Rod, Deck .5" Dia. (50-inch Decks)
44	750-0151	Spacer, .550 x .755 x 1.1
45	754-04164	Belt, V-Type
46	756-04129	Pulley, Idler, 3.5"
47	783-05303	Idler Bracket
48	783-04399	LH Belt Cover
49	783-04400	RH Belt Cover
50	783-04414A	Deck Skirt, Center
51	783-04415	Deck Skirt, RH
52	631-04070A	Chute Assembly, Side Discharge
53	783-04462	Lift Bracket, 50" Deck
54	750-1349A	Spacer, .79 x 1.84 x .55
55	736-0315	Washer, Flat, .760 x 1.5 x .120
56	737-3000	Lube Fitting, 3/16
57	738-1010A	Shaft, Spindle, 5.75
58	741-0919	Ball Bearing, .787 x 1.85 x .551
59	748-0160A	Spacer, .790 x 1.25 x .175
60	750-1000	Spacer, .800 x 1.10 x 1.322

# 54-Inch Mowing Deck





## 54-Inch Mowing Deck

Ref.	Part Number	Description
1	16606	Hook, Retainer Bracket
2	618-04126A	Spindle Assembly
3	683-0254B	Hanger Bracket Assembly
4	683-04180A	54" Deck Weldment
5	683-04182	Idler Arm Assembly
6	703-2093	Inner Rear Baffle
7	703-3279	Chute Deflector Stop
8	710-0347	Screw, 3/8-16 x 1.75
9	710-04095	Screw, 3/8-16 x 1.0
10	710-0528	Screw, 5/16-18 x 1.25
11	710-0599	Screw, 1/4-20 x .500
12	710-04484	Screw, 5/16-18 x .750
13	710-0623	Screw, 3/8-16 x .750
14	710-0650	Screw, 5/16-18 x .875
15	710-3103	Screw, 5/16-18 x 2.00
16	710-3168	Bolt, Carriage, 3/8-16 x 1.00
17	710-3178	Bolt, Carriage, 3/8-16 x .750
18	711-1737	Pin, Roller, .5" Dia. x 10.06
19	712-0206	Nut, Hex, 1/2-13
20	712-0229	Push Nut, 3/8
21	712-04063	Nut, Flange Lock, 5/16-18
22	712-04065	Nut, Flange Lock, 3/8-16
23	712-0417A	Nut, Hex, Flange, 5/8-18
24	712-0431	Nut, Flange Lock, 3/8-16
25	712-0641	Nut, Hex, M16-1.5
26	712-3010	Nut, Hex, 5/16-18
27	712-3022	Nut, Hex Lock, 1/2-13
28	712-3083	Nut, Hex Lock, 1/2-13
29	714-0111	Pin, Cotter, 3/32 x 1.00
30	714-0470	Pin, Cotter, 1/8 x 1.25
31	717-04074	Deck Adjustment Gear
32	721-04041	Hose Coupler
33	731-05679	Front Roller
34	732-0306A	Spring, .531OD x 1.75
35	732-04247	Spring, Ext., .850 Dia. x 6.415
36	732-0971	Spring, Ext., 1.010 Dia. x 6.50

Ref.	Part Number	Description
37	734-04155	Deck Wheel
38	736-0119	Washer, Lock, 5/16
39	736-0225	Washer, Lock, 5/8, Internal Tooth
40	736-0275	Washer, Flat, .344 x .688 x .065
41	736-0300	Washer, Flat, .406 x .875 x .059
42	736-0921	Washer, Lock, 1/2
43	736-3010	Washer, Flat, .407 x .812 x .135
44	737-04003D	Port, Water
45	738-1229A	Screw, .625 x 2.50 x 1/2-13
46	738-3056	Shoulder Screw, .496 x 2.50, 3/8-16
47	742-0677B	Blade, 18.5"
48	747-04384	Rod, Upstop, 54" LT
49	747-1116	Rod, Deck Release Handle
50	747-1324	Rod, Adjust. Front Deck .5" Dia.
51	750-0151	Spacer, .550 ID x .755 OD x 1.1
52	754-0642	V-Belt
53	756-04129	Pulley, Idler, 4.25" Dia.
54	631-04070A	Discharge Chute Ass'y. (inc. Ref. 61-64)
55	783-04013A	Bracket, Stabilizer, Pulley
56	783-04462	Lift Bracket, 54" Deck
57	783-04690B	Skirt, Deck
58	783-04691	Cover, Belt, RH
59	783-04692	Cover, Belt, LH
60	783-04726	Bracket, Idler, Stationary
61	711-04565	Hinge Pin
62	731-05559B	Dfltr. Chute (Avail. assy. only - see ref. 54)
63	732-04372	Torsion Spring
64	783-05030	Chute Bracket
65	736-0315	Washer, Flat, .760 x 1.5 x .120
66	756-04216	Pulley, 5.39"
67	748-0160A	Spacer, .790 x 1.25 x .175
68	741-0919	Ball Bearing, .787 x 1.85 x .551
69	750-1000	Spacer, .800 x 1.10 x 1.322
70	737-3000	Lube Fitting, 3/16
71	750-1349A	Spacer, .79 x 1.84 x .55
72	738-1010A	Shaft, Spindle, 5.75



# Hydrostatic Transmission

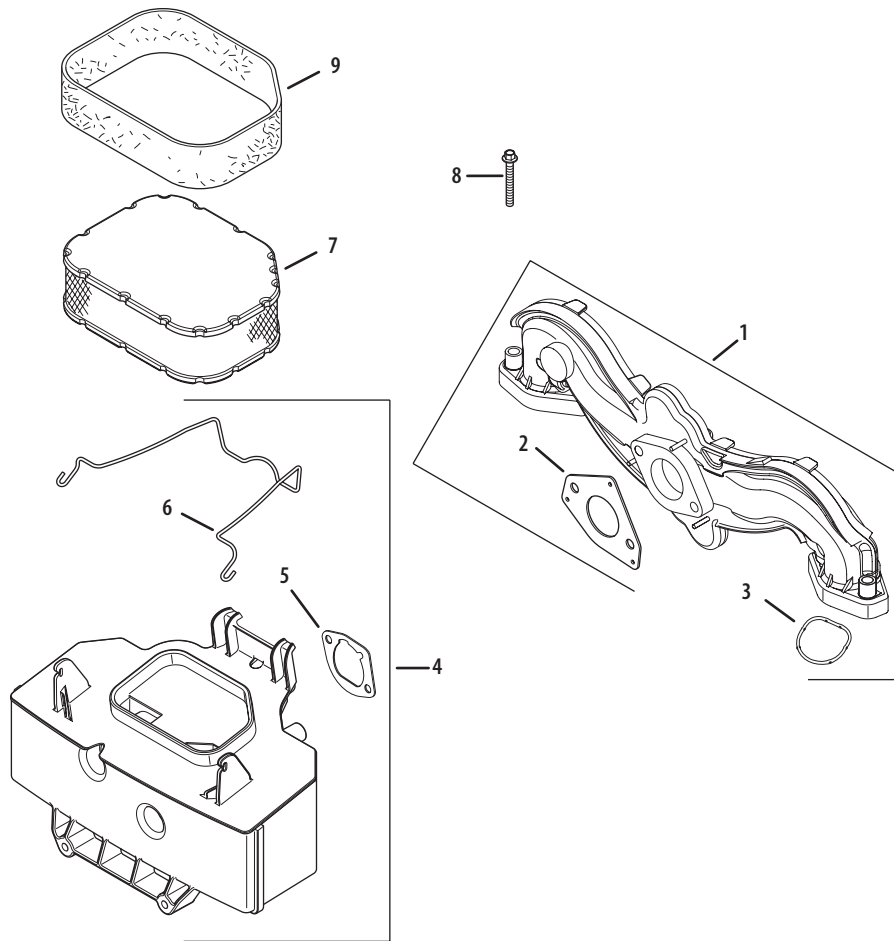
ITEM	PART NUMBER	QTY	DESCRIPTION
1	71273	1	MAIN HOUSING, ASSEMBLY
		1	MAIN HOUSING, MACHINED DRAIN
		1	BUSHING .865 X .985 X .790
2	70483	1	SIDE HOUSING, ASSEMBLY
		1	SIDE HOUSING, MACHINED
		1	BUSHING .865 X .985 X .790
		1	BUSHING .624 X .719 X .562
3	70724	1	CENTER SECTION, ASSEMBLY
		1	CENTER SECTION, MACHINED
		1	BUSHING .707 X .788 X .591
4	51048	1	SWASHPLATE, TRUNNION MACHINED
5	70331	1	BLOCK - ASSEMBLY
		1	BLOCK - CYLINDER
		5	PISTON
		5	SPRING, COMPRESSION
		5	WASHER - THRUST
6	50928	10.5 OZ	SEALANT
7	51190	14	HEX FLANGE SCREW 1/4-20 X 1.25
9	51062	1	SHAFT, INPUT
10	2000022	1	RING - RETAINING
11	50951	1	SPACER
12	50329	3	RING - RETAINING
13	51161	1	SEAL, LIP .67 X 1.58 X .276
14	50315	1	BALL BRG 17MM ID X 40MM OD X 12MM
16	51064	1	BOLT, HEX FLANGE HEAD 5/16-24X.94 (PATCH)
17	51140	1	LIP SEAL 18 X 32 X 7
18	51119	1	ARM, CONTROL
19	50551	2	BEARING, 30 X 52 X 13 THRUST
23	51843-1027	1	SHOCK VALVE ASSEMBLY, 270 BAR
24	50966	1	SHAFT, MOTOR
27	51767	1	GEAR - PINION, 1ET
28	51766	1	10T/49T GEAR
29	51043	1	GEAR, 1DT JACKSHAFT
30	51847	1	60T BULL GEAR
31	51088	2	SLEEVE BEARING .75 X 1.750 X .625
32	51089	2	SLEEVE BEARING (OUTBOARD) .75 X 1.975 X .625
33	44875	2	WASHER, 3/4 X 1-1/2 X .13 THK
34	51066	2	LIP SEAL AXLE SEAL
35	52209	1	SHAFT, AXLE .75 X 11.39 ID 061DKR.H >
36	52210	1	SHAFT, AXLE .75 X 16.99 ID 061DL(L.H.)
37	51829	2	MITER GEAR 12T (SPLINED)
38	51830	2	MITER GEAR 12T (D. 5 ID)
39	50146	1	SHAFT
40	44871	2	RING, SPIRAL RETAINING
41	51083	1	PIN, JACKSHAFT
42	51100	1	MAGNET, RING
43	51136	1	SPRING, BYPASS
44	50016	2	BOLT, HEX FLANGE 3/8-24 X 2.5
45	51581	1	BOTTOM, FILTER
46	51580	1	BASE, FILTER V/POPPET
47	51091	1	ACTUATOR, BYPASS
48	51098	1	ROD, BYPASS ACTUATOR
49	51135	1	ARM, BYPASS
50	51116	1	RETAINING RING .250 EXTERNAL
51	51081	1	SEAL, LIP .741 X .250 X .250 TC
52	44371	1	FLAT WASHER, 5/8 ID X 1.0 OD X .05 THK
53	44145	1	RETAINING RING
54	51071	1	BEARING, CENTER BLOCK
55	2003014	1	SPRING - HELICAL COMPRESSION
56	2003017	1	WASHER
57		78.8 OZ	PQV-50 OIL
58	44092	1	BRAKE YOKE
59	51072	1	ROTOR, BRAKE
60	44132	2	BRAKE PUCK
61	44134	1	PUCK PLATE
62	44127	2	BRAKE ACTUATING PIN
63	51146	2	HFCS 1/4-20 X 2 W/PATCH, SPECIAL FLANGE

ITEM	PART NUMBER	QTY	DESCRIPTION
65	23711	1	SPACER
66	51607	1	SPRING, BRAKE ARM BIAS
67	44138	1	SO. HD. BOLT 5/16-24- RIBBED
68	44094	1	ARM, BRAKE
69	44142	1	SLOTTED HEX NUT 5/16-24
70	44101	1	COTTER PIN 3/32 X 3/4
71	50919	1	COMPRESSION SPRING ANTI-DRAG
72	50132	3	WASHER, HT .5 I.D. X 1.0 O.D. X .032
73	44130	2	FLAT - WASHER 11/32 I.D. X 7/8 O.D.
74	44761	1	OIL SEAL .625 X 1.0 X .25
75	51084	1	CHECK PLUG ASSEMBLY, .027, WASHER
83	9004800-2506	2	PIN, STANDARD HEADLESS
84	51143	1	FITTING, 5/16 SAE 3/32 TUBE
85	51147	1	HOSE, EXPANSION TANK
87	51251	1	CAP, VENT
88	50653	1	BOLT, SELF TAPPING 10-32 X 1/2
93	51118	2	SPRING CLIP - HOUSING THRUST
94	44147	1	BEARING, BALL .62 ID X 1.38 X .44
95	50837	1	SCREW, SOCKET HEAD CAP 5/16-24 X 1-1/2
96	51200	1	SPACER, LOCATING
97	50070	1	SCREW, SFHCS 5/16-18 X 1
98	51120	1	ARM, RETURN
99	51097	1	PUCK, ADJUSTING
100	51122	1	WASHER, .24 ID X 1.60 OD X .299
101	51131	1	SPRING, EXTENSION
102	51123	1	SPACER .260 ID X .560 OD X .870
103	51223	1	BRACKET, TORQUE
107	51134	1	DEFLECTOR
108	51069	1	WASHER, MOTOR SHAFT .71 ID X 1.13 OD X .030 THK
109	9005110-5600	2	PLUG, SAF #6
110	50868	1	SCREW, TORX HEAD 5/16-18 T.F.
111	51144	1	O-RING .103 X .299 ID
113	51179	1	BRACKET, SUPPORT EXPANSION TANK
114	51184	1	SPRING GUIDE
124	70930	1	CENTER SECTION - FILTER - BYPASS ASSEMBLY
		1	CENTER SECTION MACHINING
		1	BASE, FILTER V/POPPET
		1	CHECK PLUG ASSEMBLY, .027 WASHER
		1	SHOCK VALVE ASSEMBLY, 220 BAR
		1	SPRING, BYPASS
		1	ACTUATOR, BYPASS
		1	DEFLECTOR
		1	BOTTOM, FILTER
		1	BUSHING, .707 X .788 X .591
125	70756	1	FILTER ASSEMBLY
		1	BOTTOM, FILTER
		1	SPRING, BYPASS
		1	ACTUATOR, BYPASS
		1	DEFLECTOR
		1	BASE, FILTER W/POPPET
127	70463	1	SEAL - O-RING KIT
		1	SEAL, LIP .67 X 1.58 X .276
		1	LIP SEAL 18 X 32 X 7
		2	LIP SEAL .706 X 1.584 X .25
		1	SEAL, LIP .741 X .250 X .250 TC
		1	OIL SEAL .625 X 1.0 X .25
		1	O-RING .07 X .301 ID
128	70503	1	KIT, EXPANSION TANK
		1	TANK, EXPANSION ASSEMBLY
		1	CAP, VENT
		1	VS BOLT, SELF TAPPING 10-32 X 1/2
		1	BRACKET, SUPPORT EXPANSION TANK
129	51252	1	CAP, EXPANSION TANK SHIPPING
135	70723	1	BLOCK - ASSEMBLY
		1	BLOCK - CYLINDER
		7	PISTON
		7	SPRING, COMPRESSION
		7	WASHER - THRUST

**NOTE:** Include a HG- prefix when ordering replacement transmission parts (i.e. HG-70467).

# SV730 & SV740 Twin-Cylinder Kohler Engine

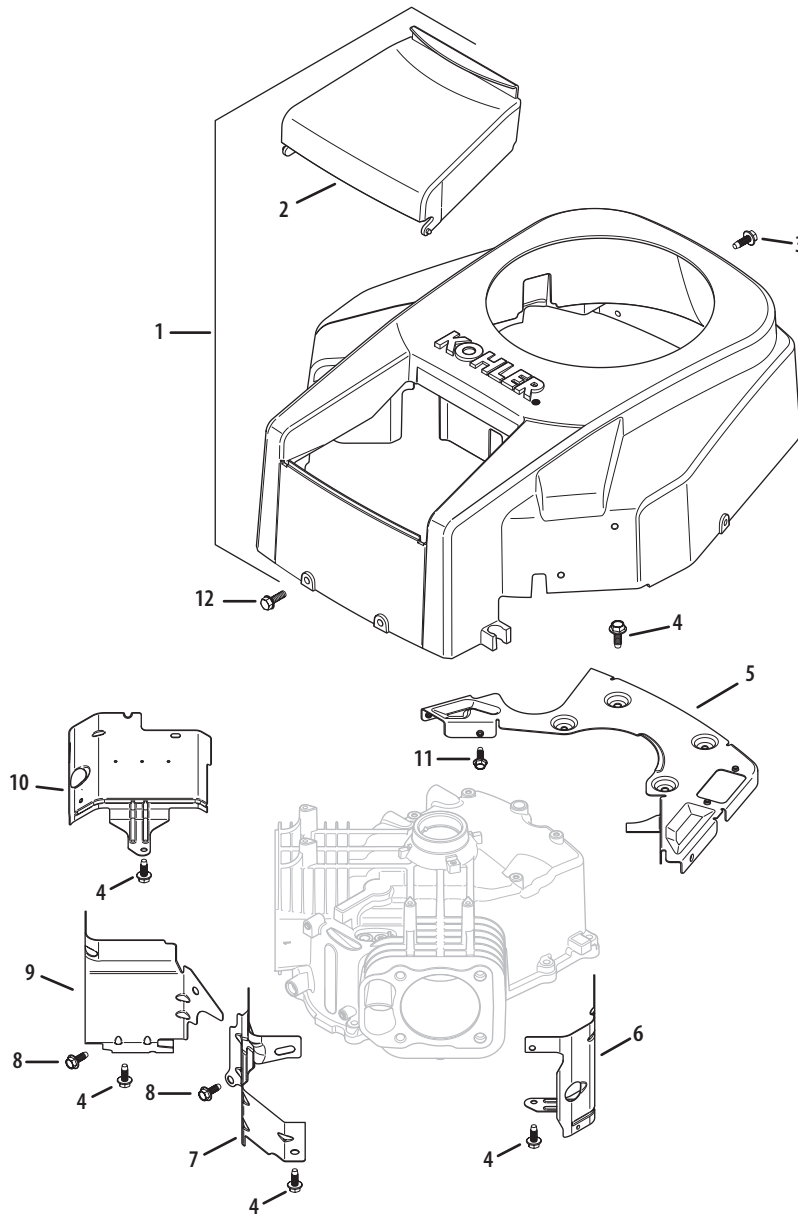
## Air Intake / Filtration



Ref.	Part Number	Description
1	KH-24-164-51-S	Manifold, intake (Includes 2,3)
2	KH-24-041-52-S	Gasket, carburetor
3	KH-24-153-27-S	O-Ring, intake port
4	KH-32-094-04-S	Base, air cleaner (Includes 5,6)
5	KH-24-041-14-S	Gasket, air cleaner base
6	KH-32-344-02-S	Latch, air cleaner element
7	KH-32-083-03-S	Element, air cleaner
8	KH-M-651040-S	Screw, hex. flange M6x1.0x40
9	KH-32-083-05-S	Pre-cleaner, element

# SV730 & SV740 Twin-Cylinder Kohler Engine

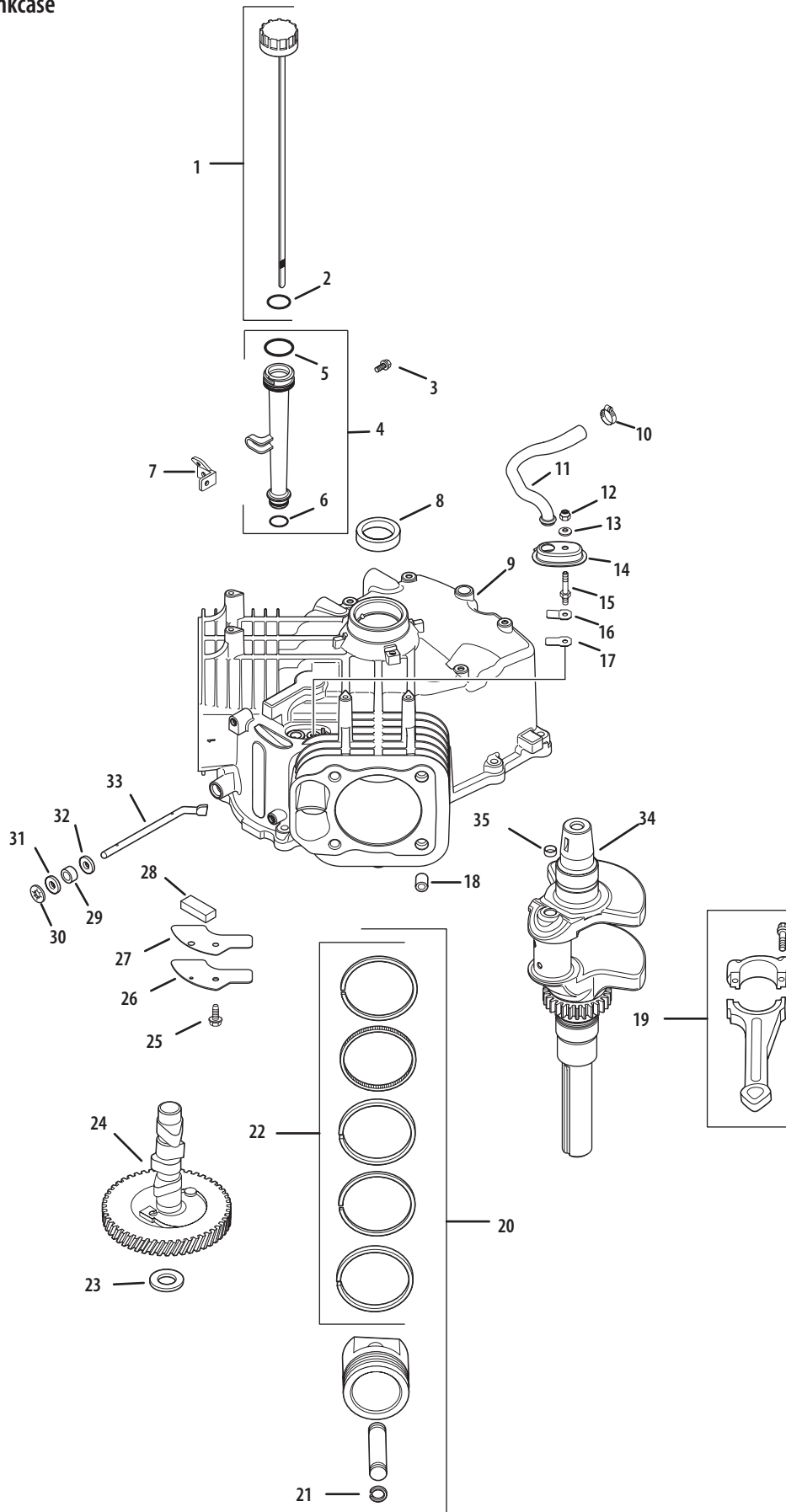
## Blower Housing & Baffles



Ref.	Part Number	Description
1	KH-32-027-03-S	Housing, blower (Includes 2, 41 037 10-S)
2	KH-32-096-08-S	Cover, air cleaner
3	KH-M-545016-S	Screw, hex. flange M5x0.8x16
4	KH-M-645016-S	Screw, hex. flange M6x1.0x16
5	KH-32-146-05-S	Plate, backing w/rectifier-regulator opening
6	KH-32-063-12-S	Baffle, cylinder barrel - #2 side
7	KH-32-063-02-S	Baffle, valley - #2 side
8	KH-M-545010-S	Screw, hex. flange M5x0.8x10
9	KH-32-063-03-S	Baffle, valley - #1 side
10	KH-32-063-10-S	Baffle, cylinder barrel-#1 side
11	KH-M-545020-S	Screw, hex. flange M5x0.8x20
12	KH-24-086-12-S	Screw, hex. cap M6x1.7x18

# SV730 & SV740 Twin-Cylinder Kohler Engine

## Crankshaft & Crankcase



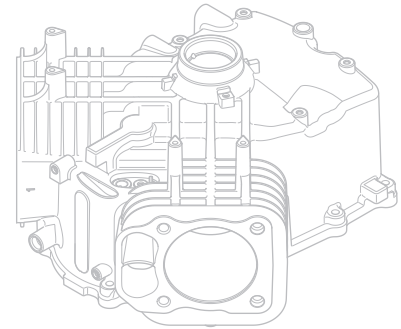
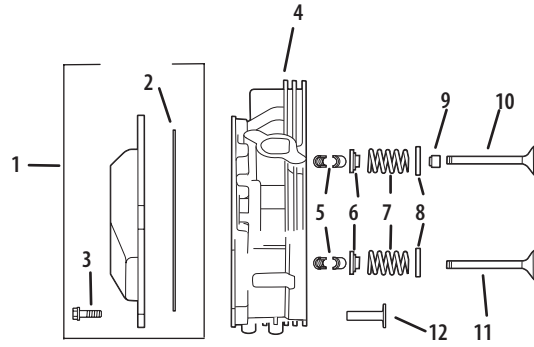
# SV730 & SV740 Twin-Cylinder Kohler Engine

## Crankcase & Crank Shaft

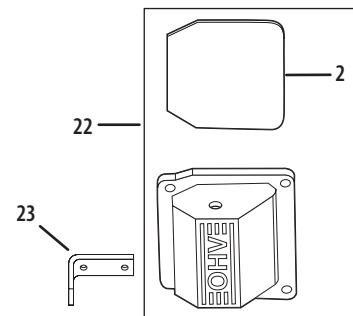
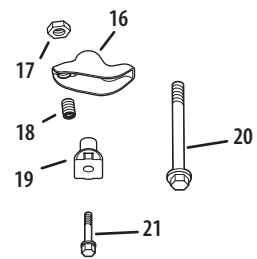
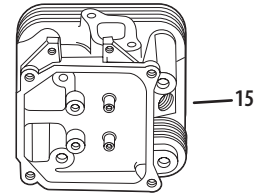
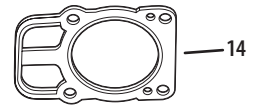
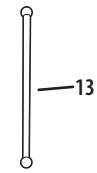
Ref.	Part Number	Description	Ref.	Part Number	Description
1	KH-32-038-01-S	Kit, dipstick (Includes 2)	21	KH-24-018-01-S	Retainer, piston pin
2	KH-12-153-02-S	O-Ring	22	KH-24-108-05-S	Ring Set (Std.)
3	KH-M-545013-S	Screw, hex. flange M5x0.8x16		KH-24-108-06-S	Ring Set (.25)
4	KH-12-123-04-S	Tube, oil fill (Includes 5,6)	23	KH-12-422-10-S	Shim, camshaft (yellow)
5	KH-12-153-02-S	O-Ring, upper oil fill tube		KH-12-422-09-S	Shim, camshaft (red)
6	KH-12-153-01-S	O-Ring, lower oil fill tube		KH-12-422-13-S	Shim, camshaft (black)
7	KH-24-126-19-S	Bracket, oil fill tube		KH-12-422-07-S	Shim, camshaft (white)
8	KH-24-032-01-S	Seal, oil		KH-12-422-08-S	Shim, camshaft (blue)
9	Crankcase (USE: Miniblock KH-32-782-01)			KH-12-422-11-S	Shim, camshaft (green)
10	KH-25-237-14-S	Clamp, hose		KH-12-422-12-S	Shim, camshaft (gray)
11	KH-32-326-06-S	Hose, breather	24	KH-32-012-01-S	Kit, camshaft
12	KH-M-547050-S	Nut, hex. lock M5x0.8	25	KH-M-645016-S	Screw, hex. flange M6x1.0x16
13	KH-32-468-01-S	Washer, sealing	26	KH-32-096-04-S	Cover, breather
14	KH-32-081-02-S	Housing, breather	27	KH-32-041-01-S	Gasket, breather cover
15	KH-32-072-02-S	Stud, breather cover	28	KH-32-050-01-S	Filter, breather
16	KH-24-018-04-S	Retainer, breather reed	29	KH-28-032-09-S	Seal, governor cross shaft
17	KH-12-402-02-S	Reed, breather	30	KH-24-018-09-S	Ring, retainer
18	KH-24-380-16-S	Pin, locating	31	KH-M-931010-S	Washer, plain 8 mm
19	KH-24-067-24-S	Connecting Rod (Std.)	32	KH-24-468-15-S	Washer, flat 1/4"
20	KH-24-874-38-S	Piston w/Ring Set (Std.) (Inc. 21)	33	KH-24-144-38-S	Shaft, governor cross
	KH-24-874-27-S	Piston w/Ring Set (.08)	34	KH-32-014-04-S	Crankshaft (Includes 35)
	KH-24-874-28-S	Piston w/Ring Set (.25)	35	KH-52-139-09-S	Plug, cup

# SV730 & SV740 Twin-Cylinder Kohler Engine

## Cylinder Head



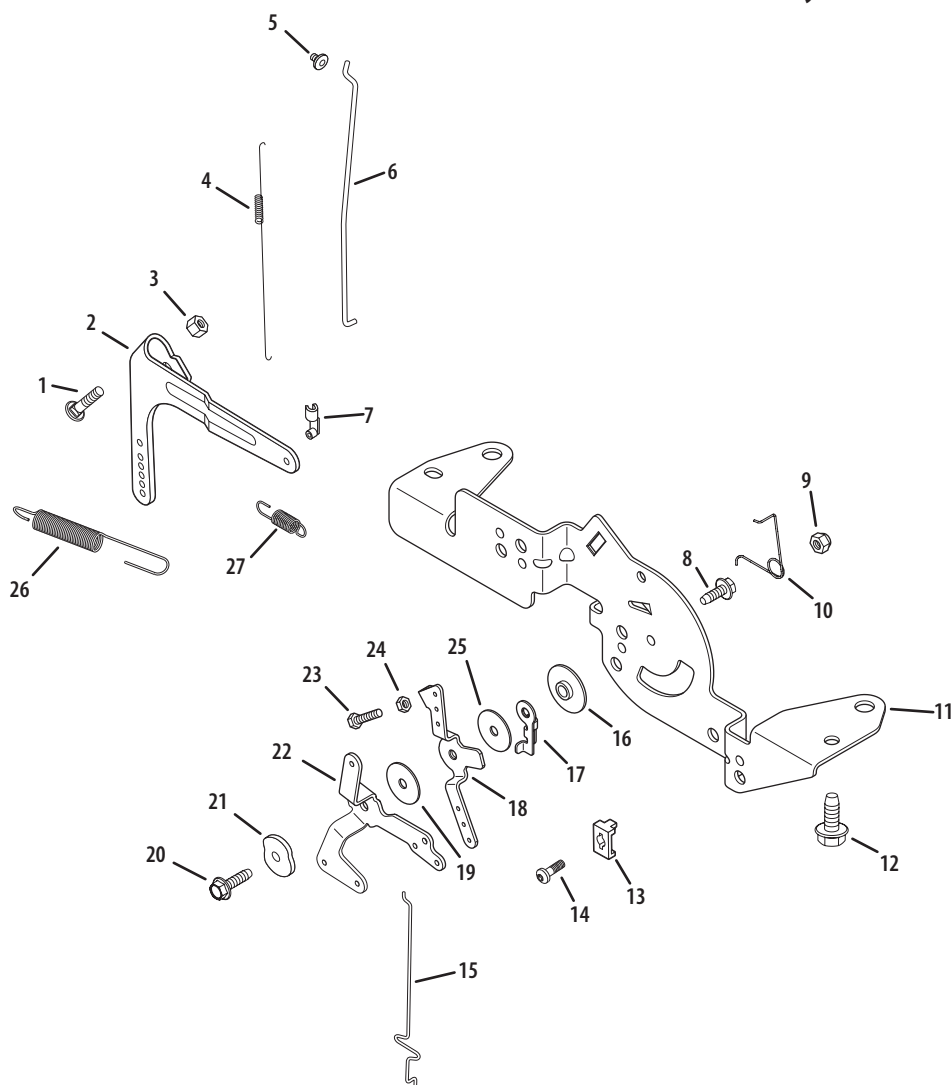
Ref.	Part Number	Description
1	KH-24-755-141-S	Kit, valve cover - plain (Includes 2,3)
2	KH-24-153-30-S	O-Ring
3	KH-M-651030-S	Screw, hex. flange M6x1.0x30
4	KH-32-318-01-S	Head assembly, #1 cylinder
5	KH-12 755 03-S	Kit, retainer
6	KH-12 173 01-S	Cap, valve spring
7	KH-24 089 02-S	Spring, valve
8	KH-235011-S	Retainer, spring
9	KH-66 032 05-S	Seal, valve stem
10	KH-24 017 01-S	Valve, intake (Std.)
	KH-24 017 02-S	Valve, intake (.25)
11	KH-24 016 01-S	Valve, exhaust (Std.)
	KH-24 016 02-S	Valve, exhaust (.25)
12	KH-32 019 01-S	Tappet
13	KH-32 411 02-S	Rod, push
14	KH-24 841 03-S	Kit, cylinder head gasket (Includes head mounting hardware & KH-24 -041-49-S, KH- 24-153-27-S)
15	KH-32 318 02-S	Head assembly, #2 cylinder
16	KH-32-186-03-S	Arm, rocker (before S/N 3633510953)
17	KH-25-100-33-S	Nut, hex. M10x0.75
18	KH-25-086-128-S	Screw, set
19	KH-25-599-01-S	Pivot, rocker arm
20	KH-12-086-16-S	Screw,Hex. flange M10x1.5x90
21	KH-32-072-04-S	Screw, hex. flange M6x1.0x45
22	KH-32 096 06-S	Kit, valve cover - breather (Includes 2)
23	KH-24 445 01-S	Strap, lifting
24	KH-32-146-09-S	Guide Plate (Not Illustrated)
25	KH-25 072 04-S	Stud, M8x1.25x33 (Not Illustrated)
26	KH-24 041 49-S	Gasket, exhaust manifold (Not Illustrated)
27	KH-M-841080-S	Nut, hex. flange M8x1.25 (Not Illustrated)





# SV730 & SV740 Twin-Cylinder Kohler Engine

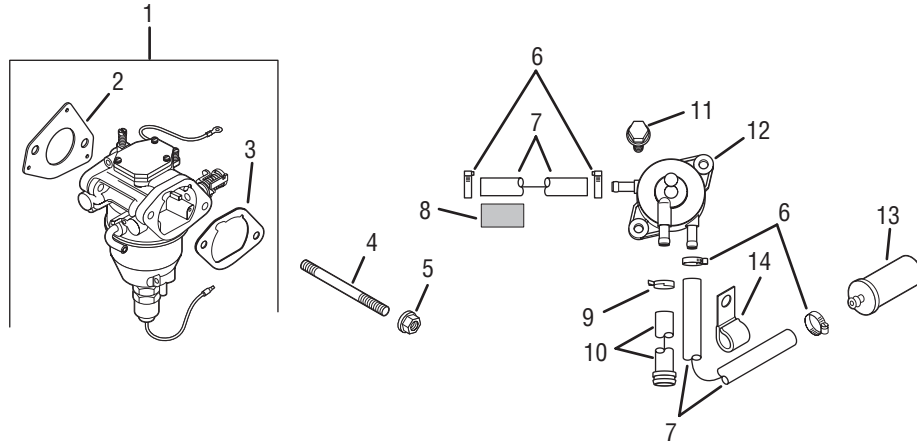
## Engine Controls



Ref.	Part Number	Description	Ref.	Part Number	Description
1	KH-24-211-03-S	Bolt, round hd square neck	15	KH-24-079-22-S	Linkage, choke
2	KH-24-090-33-S	Lever, governor	16	KH-24-112-27-S	Spacer, control assembly
3	KH-M-641060-S	Nut, hex. flange M6x1.0	17	KH-24-090-47-S	Lever, throttle actuator
4	KH-24-089-01-S	Spring, linkage	18	KH-24-090-13-S	Lever, throttle control
5	KH-25-158-08-S	Bushing, linkage retaining	19	KH-24-468-01-S	Washer, plain 5.5 mm
6	KH-24-079-04-S	Linkage, throttle	20	KH-M-545020-S	Screw, hx. flange M5x0.8x20
7	KH-25-158-11-S	Bushing, throttle linkage	21	KH-41-468-03-S	Washer, spring 1/4"
8	KH-M-545016-S	Screw, hex. flange, M5x0.8x16	22	KH-24-090-05-S	Lever, choke
9	KH-M-547050-S	Nut, hex. lock M5x0.8	23	KH-M-403025-S	Screw, hex. head cap M4x0.7x25
10	KH-24-089-03-S	Spring, choke return	24	KH-M-446030-S	Nut, hex. M4x0.7
11	KH-24-126-161-S	Bracket, control	25	KH-24-468-20-S	Washer, plain
12	KH-M-645016-S	Screw, hx. flange M6x1.0x16	26	KH-24-089-25-S	Spring, governor
13	KH-47-237-02-S	Clamp, dual conduit	27	KH-24-089-55-S	Spring, governor
14	KH-24-086-43-S	Screw, thread forming			

# SV730 & SV740 Twin-Cylinder Kohler Engine

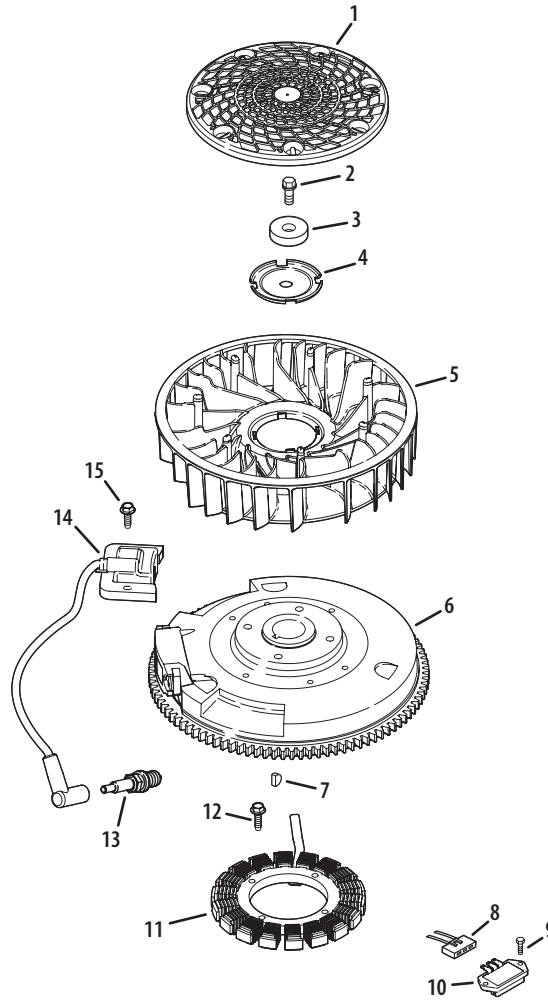
## Fuel System



Ref.	Part Number	Description	Ref.	Part Number	Description
1	KH-32-853-05-S	Kit, carb. w/gaskets (Incl. 2,3) SV720	13	KH-25-050-22-S	Filter, fuel
	KH-32-853-04-S	Kit, carb. w/gaskets (Incl. 2,3) SV730	14	KH-47-154-01-S	Clip, cable
2	KH-24-041-52-S	Gasket, carburetor	<b>NOT ILLUSTRATED</b>		
3	KH-24-041-14-S	Gasket, air cleaner base		KH-X-25-63-S	Flat Washer, 1/4" (SV720)
4	KH-M-629105-S	Stud, carburetor		KH-24-757-19-S	Kit, service choke repair (SV720)
5	KH-M-641060-S	Nut, hex. flange M6x1.0		KH-24-757-36-S	Kit, service choke repair (SV730)
6	KH-25-237-14-S	Clamp, hose		KH-24-757-20-S	Kit, service gasket repair (SV720)
7	KH-25-111-34-S	Line, fuel (In lengths of 24" - Cut to length as needed)		KH-24-757-38-S	Kit, service gasket repair (SV730)
8	KH-25-431-10-S	Anti-Abrasion Sleeve		KH-24-757-44-S	Kit, float w/gaskets (SV730)
9	KH-25-237-01-S	Clamp, hose		KH-24-757-22-S	Kit, solenoid valve w/gaskets (SV720)
10	KH-32-326-02-S	Hose, fuel pump		KH-24-757-45-S	Kit, solenoid valve w/gaskets (SV730)
11	KH-24-086-12-S	Screw, hex. cap M6x1.7x18		KH-24-757-18-S	Kit, overhaul w/gaskets (SV720)
12	KH-24-393-16-S	Pump, pulse fuel		KH-24-757-46-S	Kit, overhaul w/gaskets (SV730)

# SV730 & SV740 Twin-Cylinder Kohler Engine

Ignition / Electrical

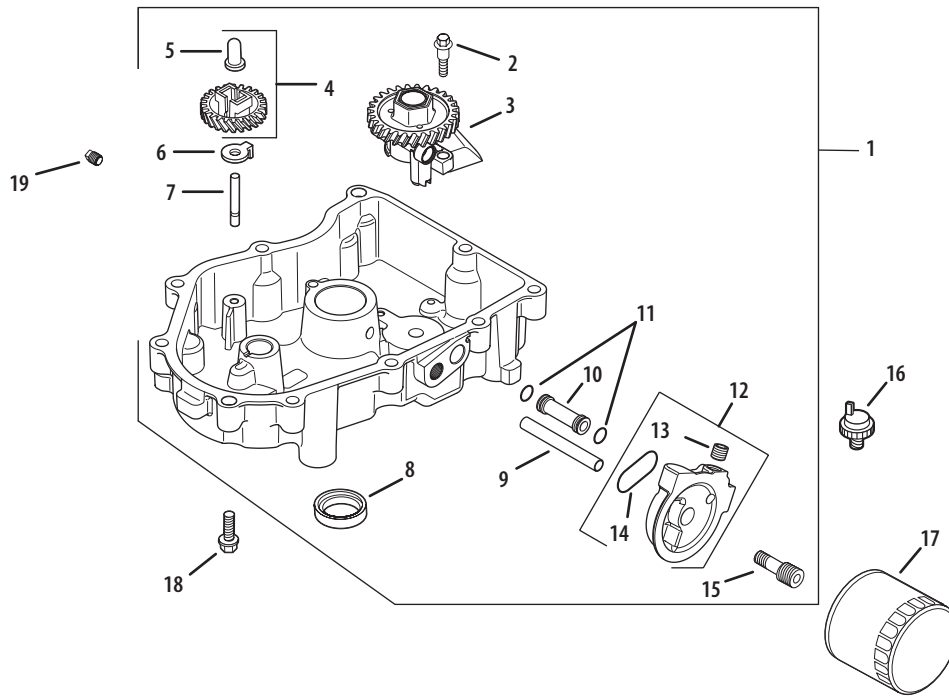


Ref.	Part Number	Description
1	KH-32-162-03-S	Screen, grass
2	KH-12-086-14-S	Screw, hex. flange M10x1.5x45
3	KH-12-468-03-S	Washer, plain 3/8"
4	KH-20-146-05-S	Plate, fan mounting
5	KH-32-157-01-S	Fan
6	KH-32-025-08-S	Flywheel
7	KH-X-42-15-S	Key
8	KH-236602-S	Connector (3 contact)
9	KH-M-551016-S	Screw, heavy hex. flange M5x0.8x16
10	KH-41-403-10-S	Rectifier-regulator

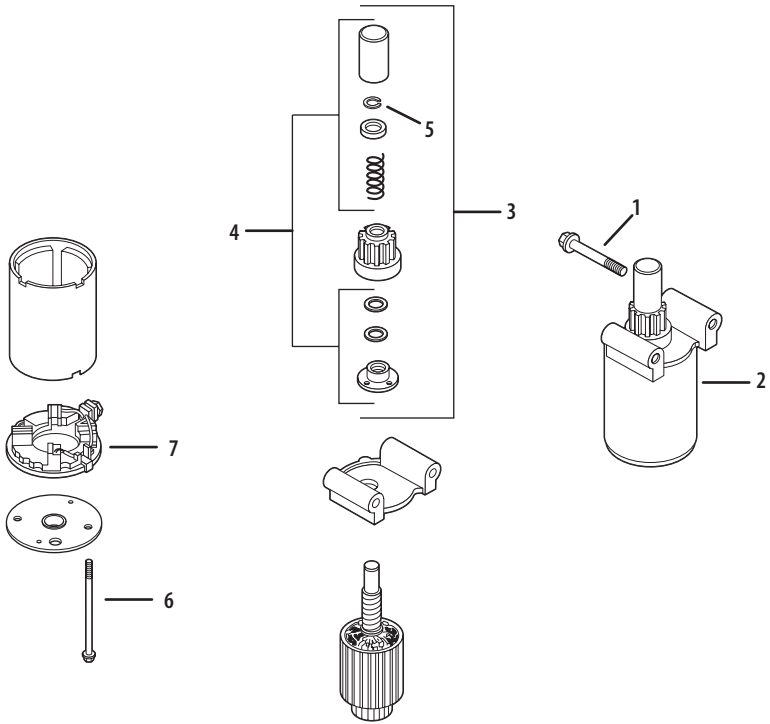
Ref.	Part Number	Description
11	KH-237878-S	Kit, 15 amp stator (Incl. KH-25-452-01-S)
12	KH-M-548025-S	Screw, hex. head M5x0.8x25
13	KH-12-132-02-S	Spark plug
14	KH-24-584-45-S	Module, ignition
15	KH-M-545020-S	Screw, hex. flange M5x0.8x20
<b>NOT ILLUSTRATED</b>		
	KH-32-176-14-S	Kit, Wire Harness
	KH-25-454-03-S	Wire, Tie
	KH-25-452-01-S	Terminal

# SV730 & SV740 Twin-Cylinder Kohler Engine

## Oil Pan / Lubrication

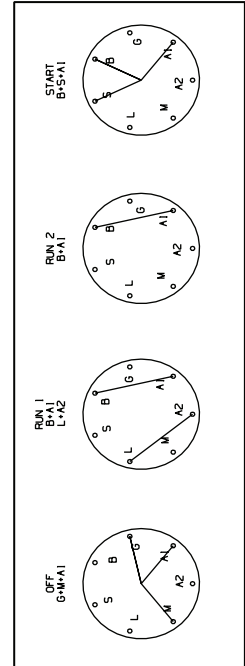
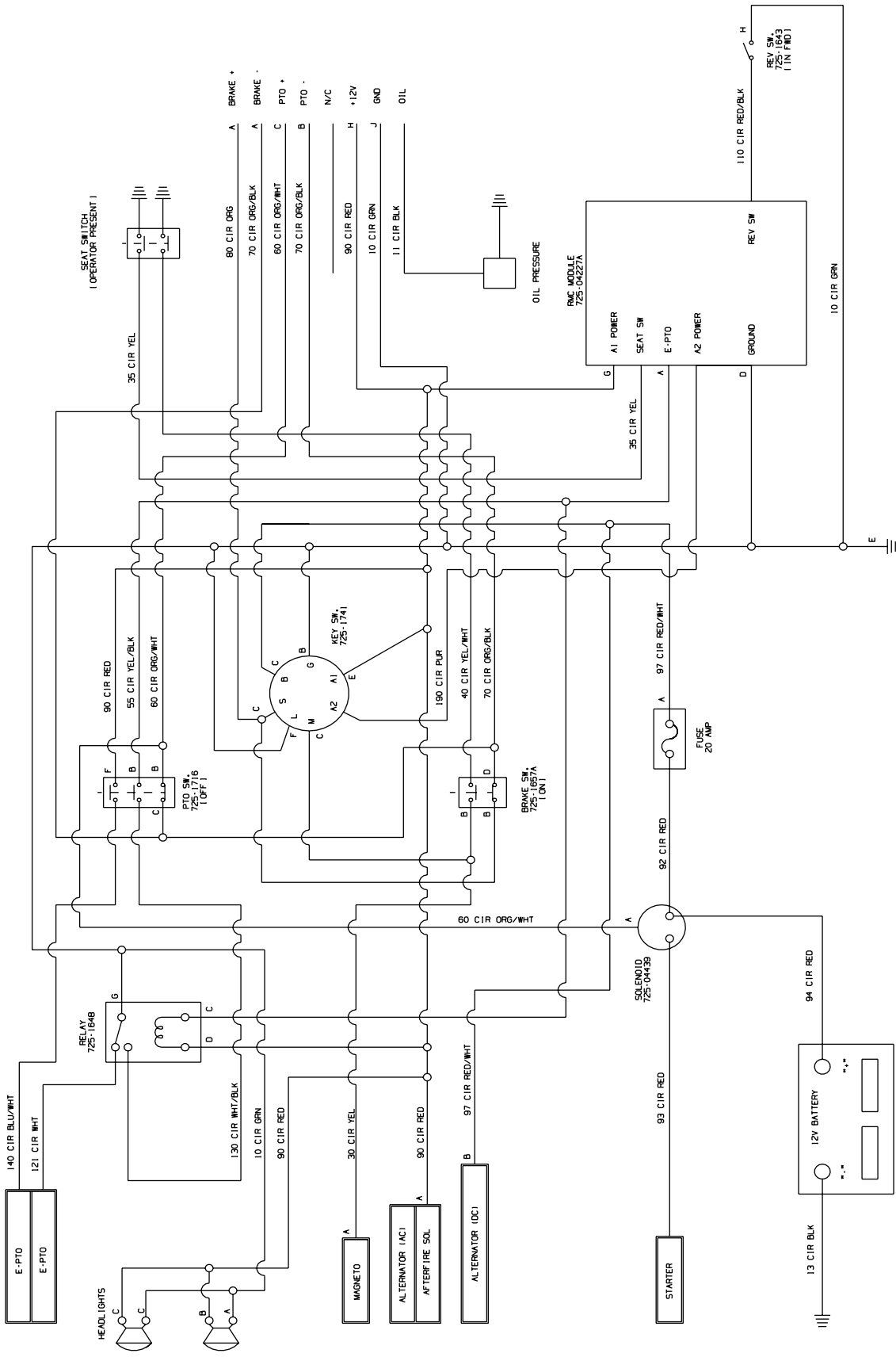


Ref.	Part Number	Description
1	KH-32-199-02-S	Pan assembly, oil (Includes 2-15)
2	KH-32-086-01-S	Screw, hex. flange thread forming shoulder
3	KH-32-393-10-S	Oil pump assembly
4	KH-24-043-12-S	Kit, governor gear w/pin (Includes 5)
5	KH-12-380-01-S	Pin, governor regulating
6	KH-24-448-02-S	Tab, locking
7	KH-12-144-02-S	Shaft, governor gear
8	KH-52-032-08-S	Seal, oil (PTO end)
9	KH-32-123-01-S	Tube, oil feed - filter to oil pan
10	KH-32-123-03-S	Tube, oil feed - oil pan to filter
11	KH-24-153-01-S	O-Ring
12	KH-32-029-07-S	Adapter, oil filter (Includes 13,14)
13	KH-25-139-60-S	Plug, hex. ctsk. 1/8"
14	KH-32-153-04-S	O-Ring, oil filter adapter
15	KH-32-136-03-S	Nipple, oil filter
16	KH-25-099-24-S	Switch, pressure
17	KH-52-050-02-S	Filter, oil
18	KH-24-086-17-S	Screw, hex. flange M8x1.25x45
19	KH-25-139-57-S	Plug, sq. hd. solid 3/8"



Ref.	Part Number	Description
1	KH-M-839080-S	Screw, hex. flange M8x1.25x70
2	KH-32-098-01-S	Starter assembly (Includes 3-5)
3	KH-12-755-39-S	Kit, drive
4	KH-12-755-38-S	Kit, drive parts
5	KH-32-141-01-S	Retaining Ring
6	KH-32-211-01-S	Thru-bolt
7	KH-12-243-04-S	Commutator, end cap

# Electrical Schematic — All Models







To order replacement parts, call a Customer Support Representative at (800) 965-4CUB.  
Locate your nearest Cub Cadet dealer at (877) 282-8684  
or visit [www.cubcadet.com](http://www.cubcadet.com) to find the nearest Cub Cadet dealer in your area.

---

**CUB CADET LLC, P.O. BOX 361131 CLEVELAND, OHIO 44136-0019**

---