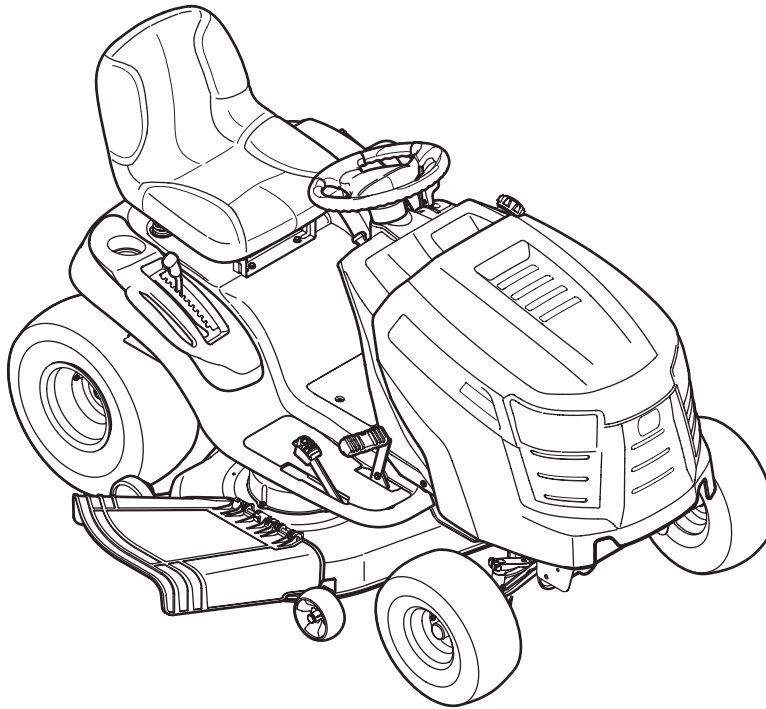

Cub Cadet[®]

ILLUSTRATED PARTS MANUAL



Hydrostatic Lawn Tractor — LTX1046/KW

CUB CADET LLC, P.O. BOX 361131 CLEVELAND, OHIO 44136-0019

To The Owner

Thank you for purchasing an Cub Cadet Lawn Tractor. It was carefully engineered to provide excellent performance when properly operated and maintained.

All information in this manual is relative to the most recent product information available at the time of printing. Please be aware that this Illustrated Part's Manual may cover a range of product specifications for various models.

Components listed and/or illustrated in this manual may not be applicable to all models. We reserve the right to change product specifications, designs and equipment without notice and without incurring obligation.

Throughout this manual, all references to *right* (RH) and *left* (LH) are observed from the operating position.

Table of Contents

Axle, Front	4	Hood	10
Battery	6	Deck Lift Handle/Linkage	8
Head Lamps	10	Labels	20
Mower Deck, 46-inch	14	Meter, Systems Indicator	10
Pedal Controls	12	Muffler	19
Dash Panel	10	PTO Lever	6
Drive System	12	Seat	8
Electrical Schematic	21	Solenoid	6
Engine Accessories	19	Steering	4
Engine, Kawasaki FR600V	38	Switches, Interlock	6
Engine, Kohler SV720	22	Throttle Control	10
Fender	8	Transmission, Hydrostatic	16
Frame	6	Wheels, Front & Rear	3
Fuel Tank	10		

Record Product Information

To ease in ordering replacement parts, please locate the model plate on the equipment and record the information in the provided area to the right. You can locate the model plate by looking beneath the seat.

MODEL NUMBER

--	--	--	--	--	--	--	--	--	--	--

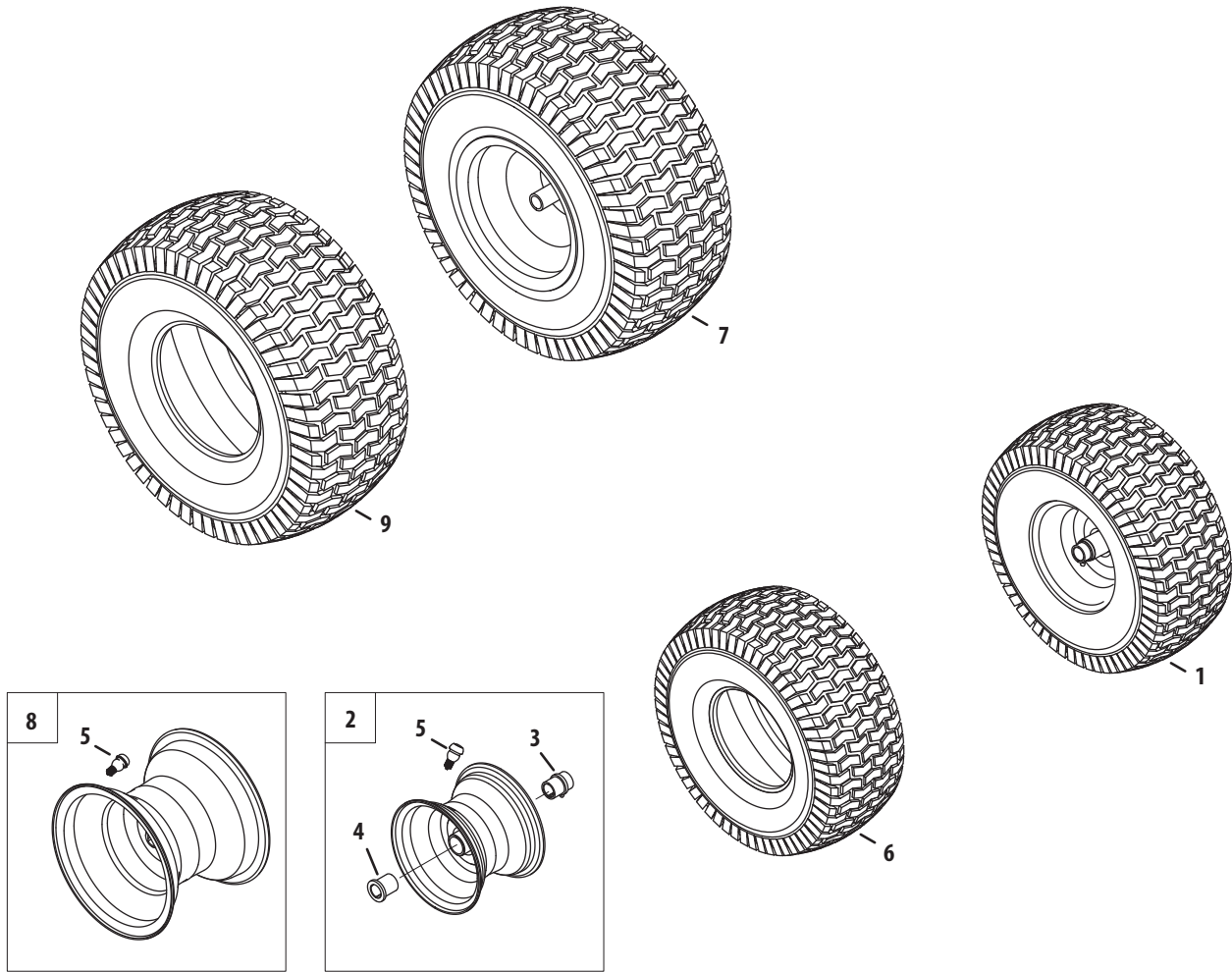
SERIAL NUMBER

--	--	--	--	--	--	--	--	--	--	--

Painted Parts

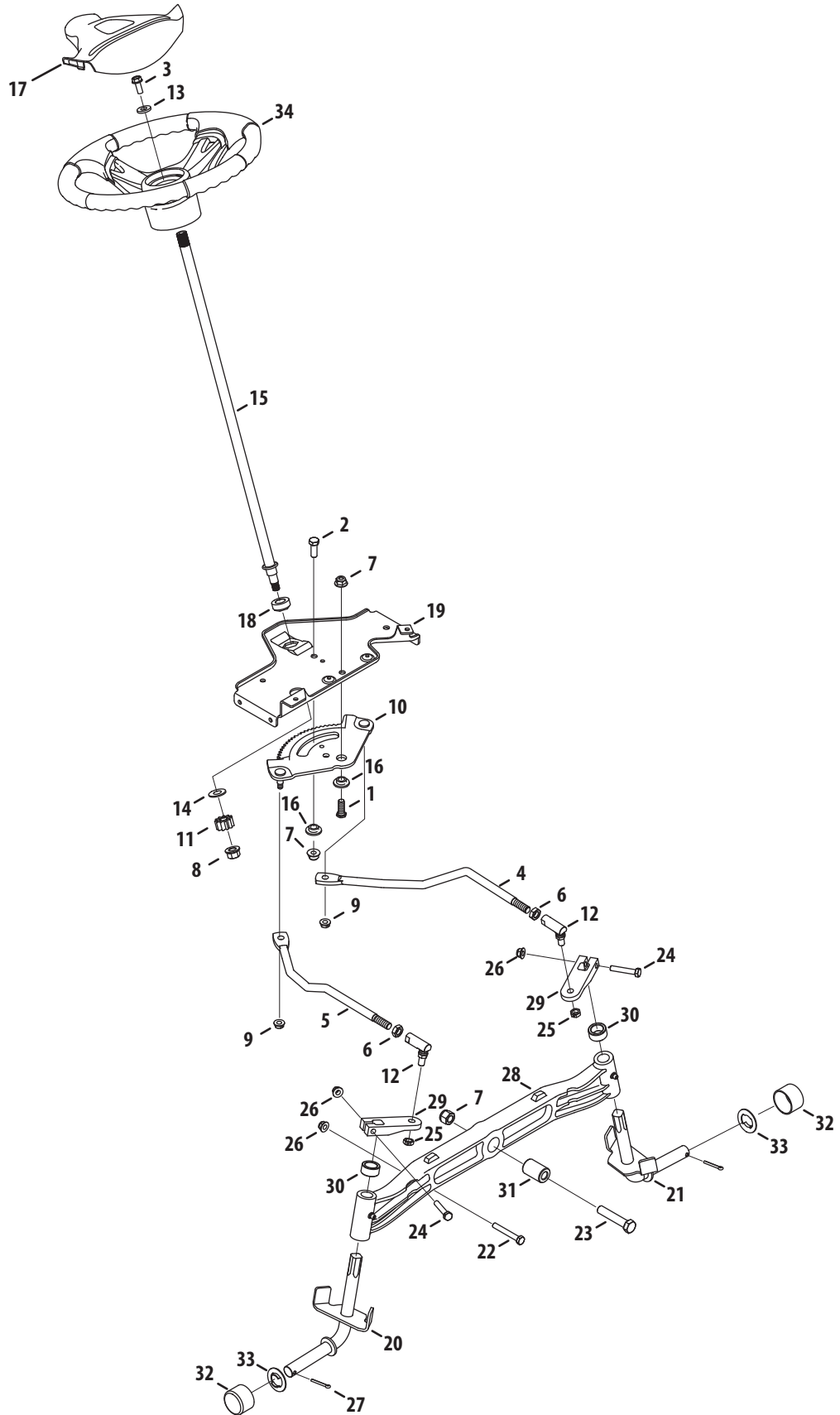
When ordering painted service parts, a four digit color suffix must be added to the part number (e.g. 783-XXXX-0637). Please refer to the table below for current color codes:

0637	Black	0685	Blue (Cub Cadet)
4021	Yellow (Cub Cadet)	0691	Black Jack (Cub Cadet Commercial)
0499	Beige (Cub Cadet)		



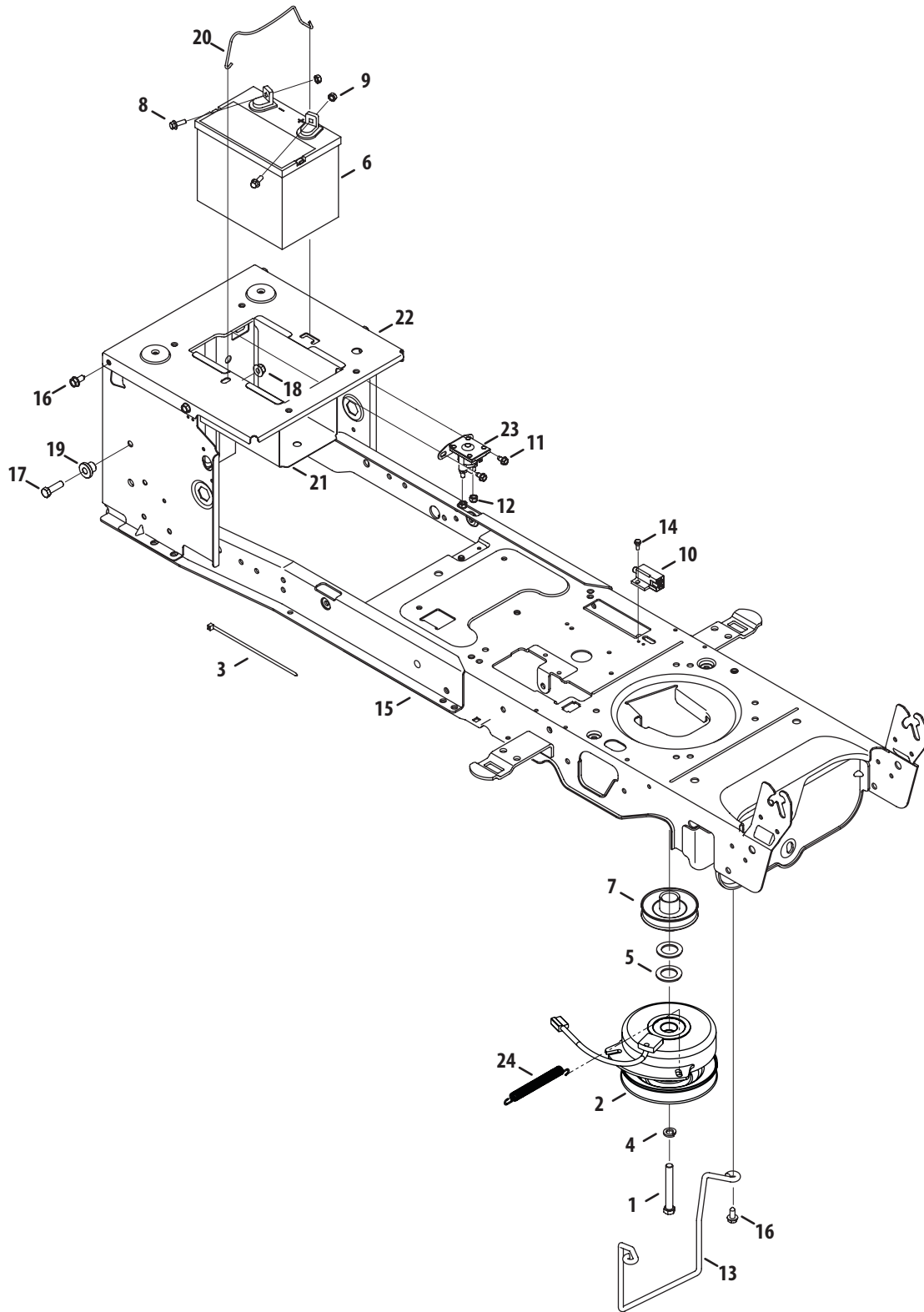
Ref.	Part Number	Description
1.	634-04406-0931	Wheel Ass'y, Complete, 15 x 6 x 6
2.	634-04405-0499	Rim Ass'y, 6.0 x 4.5, Plastic Bearings
3.	741-0990B	Bearing, Flange, .760 ID w/ Fitting
4.	741-0516B	Bearing, Flange, .760 x 1.00 x 1.20
5.	934-0255	Valve, Tubeless Air
6.	734-1731-0901	Tire, 15 x 6 x 6 Sq Shoulder
7.	634-0104-0931	Wheel, Complete, 20 x 8 x 8
8.	634-04369-0499	Rim Ass'y, 8.0 x 7.0 x .750 ID
9.	734-1730-0901	Tire, 20 x 8 x 8 Sq Shoulder

Steering



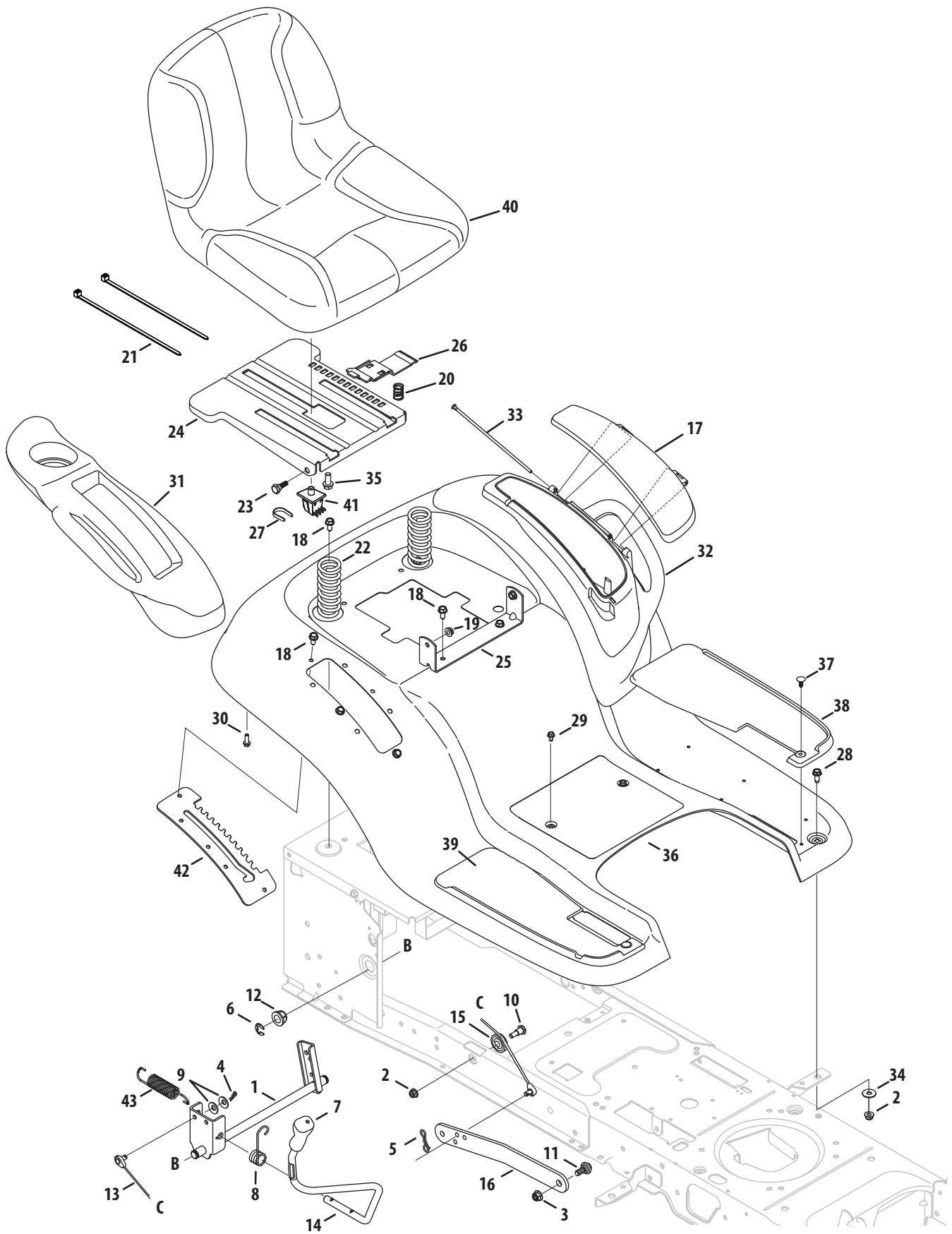
Ref.	Part Number	Description
1.	710-04095	Hex Screw, 3/8-16, 1.00, Gr5, Spec
2.	710-0514	Hex Screw, 3/8-16, 1.00, Gr5, Std
3.	710-0650	Hex Screw, 5/16-18, .875, Gr5, Lock
4.	711-04998	Link, Drag LH
5.	711-04999	Link, Drag RH
6.	912-0240	Nut, Jam, 7/16-20, Gr2
7.	712-04065	Nut, Flange Lock, 3/8-16, Grf,
8.	712-0459	Nut, Flange Lock, 7/16-20, Grb, Lock
9.	712-3004A	Nut, Flange Lock, 5/16-18, Gr5, Sd Lk
10.	717-1550F	Gear, Steering, 11/90 Ratio
11.	717-1554	Gear, Pinion, Steering
12.	923-0448A	Ball Joint, 7/16-20, Lock
13.	936-3004	Washer, Flat, .406 x .875 x .105
14.	736-3084	Washer, Flat, .51 x 1.12 x .06
15.	738-04262	Shaft, Steering, .625 OD x 25, Cub
16.	738-04363	Spacer, Shoulder, .385x 1.25 x .3025
17.	731-04532B	Cover, Steering Wheel, Cub Cadet
18.	741-04237B	Bearing, Flange, Hex 5/8 Pm
19.	783-06043	Bracket, Support, Steering
20.	638-04022	Axle Ass'y, RH .750 Dia.
21.	638-04028	Axle Ass'y, LH .750 Dia.
22.	710-0395	Hex Screw, 5/16-18, 2.25, Gr5, Std
23.	710-0859	Hex Screw, 3/8-16, 2.50, Gr5, Std
24.	710-3180	Hex Screw, 5/16-18, 1.75, Gr5, Std
25.	912-0214	Nut, Hex Lock, 3/8-24, Grb
26.	712-04063	Nut, Flange Lock, 5/16-18, Grf
27.	714-0162	Pin, Cotter, 5/32, 1.25
28.	719-04413A	Axle, Pivot Bar, Cast
29.	748-04065	Steering, Block
30.	748-04068	Spacer, .71 ID x .125 OD x .56
31.	750-05280	Spacer, .385 x 1.00 x 1.5075
32.	731-05674	Cap, Bumper
33.	736-04228A	Washer, Flat, .350 x 1.559 x .062
34.	631-04008A	Wheel, Steering, 3 Spoke, Softgrip

Frame, Electrical and PTO



Ref.	Part Number	Description
1.	710-04379A	Hex Screw, 7/16-20, 3.50, Gr5, Lock
2.	917-04552	Clutch, Electric PTO
3.	725-0157	Cable, Tie, 3/16 X .05 X 7.4
4.	936-0171	Washer, Lock, 7/16 , Regular Duty
5.	736-0277	Washer, Flat, 1.031 X1.620 X.095
6.	925-1707D	Battery
7.	756-0978B	Engine Pulley, Electric PTO
8.	710-04666	Hex Flange Screw, 1/4-20, .75, Gr5
9.	712-0271	Nut, Sems, 1/4-20
10.	725-04363	Switch, Interlock
11.	710-0653	Screw, Self-tapping, 1/4-20, 0.375
12.	712-04064	Nut, Flange Lock, 1/4-20, Nylon
13.	747-05171A	Rod, Keeper
14.	738-04237A	Screw, Shoulder, #10-32, .50
15.	683-04469B	Frame Assembly, Lower
16.	710-04484	Screw, Self-tapping, 5/16-18, .750
17.	710-3005	Hex Screw, 3/8-16, 1.25, Gr5, Std
18.	712-04065	Nut, Flange Lock, 3/8-16, Nylon
19.	738-04058	Spacer, Shoulder, .38 X 1.0 X .70
20.	747-04121A	Rod, Battery
21.	783-0349	Tray, Battery
22.	783-06089	Bracket, Frame, Seat
23.	725-04439	Solenoid, 12V, 100 Amp, 4 term
24.	732-0814	Spr, Extn, .56 Dia X 5.52
—	925-04093	Harness Assembly, Main

Seat, Fender and Lift



Seat, Fender and Lift

Ref.	Part Number	Description	Ref.	Part Number	Description
1.	683-04223	Shaft Ass'y, Lift	23.	938-0296	Screw, Shoulder, .437 x .268, 5/16-18
2.	712-04063	Nut, Flange Lock, 5/16-18, Grf	24.	783-06049	Bracket, Mounting, Seat
3.	712-04065	Nut, Flange Lock, 3/8-16, Grf	25.	783-06088	Bracket, Pivot, Seat
4.	914-0104	Pin, Cotter, .072 Dia. x 1.13	26.	783-06050	Lever, Seat Adjustment
5.	714-04040	Pin, Cotter, Bow-Tie 72	27.	783-06448	Clip, Retaining, Switch
6.	716-0106A	Ring, E Type, .625 Dia. Shaft	28.	710-1260A	Hex Screw, 5/16-18, .75, Gr5, Std
7.	720-04139	Grip, Handle, Cub, .50 ID	29.	710-0599	Screw, Self-tapping, 1/4-20, 0.500,
8.	732-0874	Spring, Torsion	30.	710-0895	Screw, HL, 1/4-15, 0.750,
9.	736-0105	Washer, Spring, .401 x .870 x .063	31.	731-06700	Cover, Fender, RH
10.	738-0138A	Screw, Shoulder, .437 x .470, 5/16-18	32.	731-06676	Cover, Fender, LH
11.	938-0380	Bolt, Shoulder, .50, 3/8-16	33.	747-05039	Pin, Door
12.	941-0225	Bearing, Hex Flange	34.	736-3078	Washer, Flat .344 x 1.00 x .063
13.	746-0968	Cable, Lift, 16.16	35.	710-04482	Hex Flange Screw, 3/8/16, .875, Gr5
14.	747-04962A	Handle, Lift,	36.	783-06118	Fender, Cub Hydro
15.	756-04331	Pulley, Roller, Cable	37.	726-3046	Clip, Ratchet, .250 Dia
16.	783-05546A	Link, Lift	38.	735-04137	Pad, Foot, LH
17.	731-06584	Door, Cover, Fender	39.	735-04139	Pad, Foot, RH
18.	710-04484	Screw, Self-tapping, 5/16-18, .750,	40.	757-04131	Seat, High Back Cloth, Cub
19.	712-3004A	Nut, Flange Lock, 5/16-18, Gr5, Sd Lk	41.	925-05013	Switch, Seat
20.	732-04563	Spring, Compr', .68 x 1.065 x .055	42.	783-06181	Bracket, Lift
21.	725-0157	Cable, Tie, 3/16 x .05 x 7.4	43.	732-0934	Spring, Extension, 1.15 OD x 5.99
22.	732-04849	Spring, Compr, 1.50 x 3.90 x .200			

Fuel Tank, Hood and Dash

Ref.	Part Number	Description
1.	710-04484	Screw, Self-tapping, 5/16-18, .750
2.	710-0599	Screw, Self-tapping, 1/4-20, 0.500
3.	710-0895	Screw, HL, 1/4-15, 0.750
4.	710-1017	Screw, Ab, 1/4-14, 0.625,
5.	710-1611B	Screw, Self-tapping, 5/16-18, 0.750,
6.	710-1652	Screw, Self-tapping, 1/4-20 x .625
7.	710-3217	Screw, Mach, #8-32, 0.375
8.	712-0142	Nut, Hex, #8-32
9.	714-04040	Pin, Cotter, Bow-Tie 72
10.	726-3046	Clip, Ratchet, .250 Dia
11.	731-05447A	Lever, Dash, Cruise/Brake
12.	731-06593	Knob, Throttle
13.	931-06554	Dash Panel, A-Style, Elect PTO
14.	735-0271A	Bumper, .62 Dia X .3
15.	735-04076	Net
16.	747-05009B	Rod, Control, Latch Cub
17.	747-1196	Rod, Lever, Bent
18.	783-06098	Support, Dash, Plate LH
19.	783-06099	Support, Dash, Plate RH
20.	925-1649	Socket, Lamp
21.	710-05108	Screw, 1/4 Dia, .750
22.	926-0154	Tie, Cable, Push Mount 7.5 Lg
23.	931-04322	Grille Ass'y (Incl. 26, 27, 32 & 33)
24.	931-06542A	Scoop, Hood, RH A-Style
25.	931-06543A	Scoop, Hood, LH A-Style
26.	931-06558	Lens, Hood, RH A-Style
27.	931-06559	Lens, Hood, LH A-Style
28.	931-06634	Hood, A-Style
29.	936-0222	Washer, Lock, 1/4, External
30.	936-3020	Washer, Flat, .271, .630, .065
31.	738-04091A	Screw, Shoulder, .43x.29, 5/16-18

Ref.	Part Number	Description
32.	777X44055	Reflector, Cub A Style, LH
33.	777X44056	Reflector, Cub A Style, RH
34.	783-06114	Bracket, Pivot, Hood A-Style
35.	751-10879B	Tank, Fuel, 3.75 Gal.
	751-10906A	Tank, Fuel, 3.30 Gal. (CA)
36.	710-1652	Screw, Self-tapping, 1/4-20, .625
	710-0642	Screw, Self-tapping, 1/4-20, .75 (CA)
37.	747-05040A	Rod, Support, Fuel Tank
38.	951-10589	Canister, Carbon, 5 Gallon (CA)
39.	951-10590	Filter, Vent, Canister (CA)
40.	951-10610	Bracket, Adapter, Canister (CA)
41.	751-10749-14	Hose, Fuel, Low Perm, 3/16 Wht (CA)
42.	751-10750-28	Hose, Fuel, Low Perm, 7/32 Yel (CA)
43.	751-12118	Valve, Rollover Grommet (CA)
44.	735-04081	Grommet, Rubber, 23.0 ID (CA)
45.	751-0603A	Cap, Fuel
	951-10947	Cap, Fuel (CA)
	951-12179	Cap, Fuel *
46.	925-2054A	Key, Ignition
47.	735-04170	Gasket, Fuel Tank
48.	925-0963	Lamp, 12v
49.	731-1999	Plug, Choke
	746-04120†	Control, Choke, 40.5 x 2, Yellow
50.	925-04227B	Module Switch, Ignition
51.	946-04556	Cable, Throttle/Choke, 38"
	946-1100†	Cable, Throttle, 38"
52.	925-04022B	Meter, Indicator
53.	725-04258	Switch, Electric PTO, Yellow
54.	731-06936†	Plenum, A-Style, B&S Intek Twin
55.	732-04580	Spring, .500 Dia. x 2.733

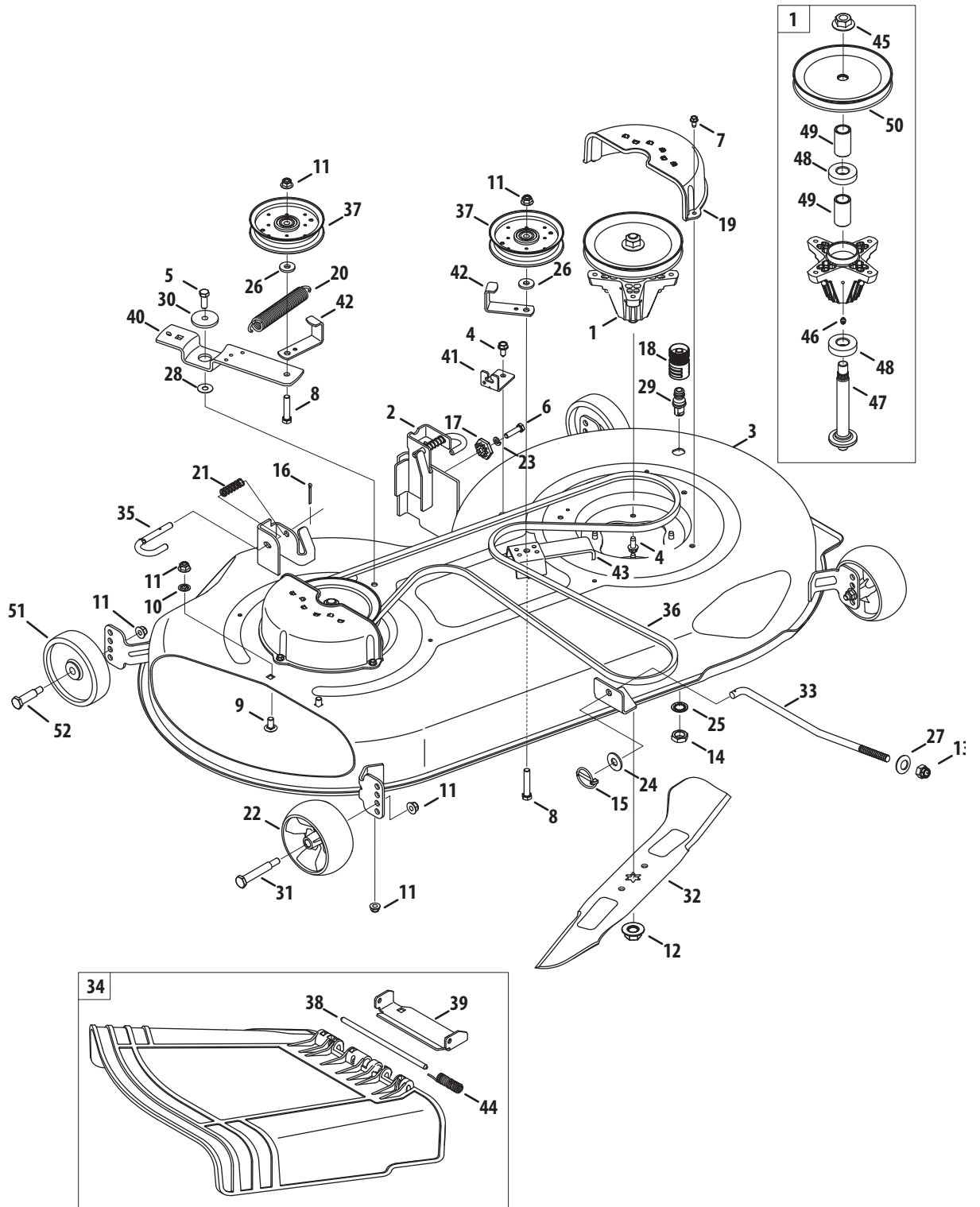
† If Equipped

* Models built after Jan. 1, 2011.

Ref.	Part Number	Description
1.	918-0319	Transmission, Hydro-Gear 0510
2.	710-0176	Hex Screw, 5/16-18, 2.75, Gr5, Std
3.	710-0227	Screw, #8-18, 0.500,
4.	710-0351	Screw, #10-16, 0.500
5.	710-04484	Screw, Self-tapping, 5/16-18, .750
6.	710-0653	Screw, Self-tapping, 1/4-20, 0.375
7.	710-1007	Screw, Self-tapping, 3/8-16, 1.500
8.	710-1325	Screw, Self-tapping, 1/4-20, 1.625
9.	710-3011	Hex Screw, 3/8-16, 2.25, Gr5
10.	912-0240	Nut, Jam, 7/16-20, Gr2
11.	912-0346	Nut, Jam Lock, 1/2-20, Gr5, Nylon
12.	712-04063	Nut, Flange Lock, 5/16-18, Nylon
13.	912-0431	Nut, Flange Lock, 3/8-16
14.	914-0111	Pin, Cotter, 3/32, 1.0
15.	725-0157	Cable, Tie, 3/16 x .05 x 7.4
16.	725-04791A	Jumper Harness, Ground & Reverse
17.	725-1644	Switch, Spring, Short
18.	926-0154	Tie, Cable, Push Mount 7.5
19.	926-0320	Plate, Insulator Nut
20.	731-05299A	Sleeve, .765 Id x 1.500
21.	731-06098	Fan, Hydro
22.	932-0209	Spring, Extension, .48 Od x 2.03
23.	732-04606	Spring, Extension, .500 Dia x 12.6
24.	732-04792	Spring, Extension, 1.00 Dia x 4.75
25.	732-0716D	Spring, Extension, .59 Od x 4.00
26.	732-0729	Ring, Wire
27.	732-3118	Spring, Extension, .375 Od x 1.44
28.	936-0264	Washer, Flat, .330 x .630 x .0635
29.	736-04263	Washer, Lock, Transmission Hydro
30.	936-3008	Washer, Flat, .344 x .750 x .120
31.	736-3010	Washer, Flat, .407x.812x.135, Ht
32.	736-0242	Washer, Bell, .340 x .872 x .060
33.	710-0627	Hex Screw, 5/16-24, .750, Gr5, Lock
34.	738-04420	Spacer, Shoulder, 1.375 x .380 x .183
35.	747-04139	Rod, Brake, LT Hydro
36.	747-04957A	Rod, Transmission, Bypass

Ref.	Part Number	Description
37.	747-04979	Rod, Control, Hydro
38.	747-04991	Rod, Hydro Bypass
39.	750-04456	Spacer, .260 x .372 x 1.420
40.	954-04207	Belt, V-Type
41.	756-04224	Pulley, Idler, Flat 2.75 OD
42.	756-04308	Pulley, Input, 4.13 Dia
43.	756-04325	Pulley, Idler, V-Type x 3.06
44.	783-06027A	Bracket, Idler, Center Double
45.	783-06133	Bracket, Mount, Hydro
46.	783-06260	Bracket, Support, Belt Disengage
47.	783-1019B	Bracket, Actuator, Switch
48.	647-04152B	Control Assembly, Brake
49.	683-04537	Bracket Assembly, Pedal, Hydro
50.	710-0604A	Screw, Self-tapping, 5/16-18, 0.625,
51.	711-05068	Pin, Clevis, 5/16 x 3.985
52.	712-04065	Nut, Flange Lock, 3/8-16, Nylon
53.	714-04040	Pin, Cotter, Bow-Tie 72
54.	783-06059	Bracket, Pedal, Hydro
55.	726-0214	Cap, Push 5/8
56.	732-04587	Spring, Extension, .63 Dia x 4.95
57.	735-04136	Pad, Pedal, Brake
58.	736-0242	Washer, Bell, .340 x .872 x .060
59.	731-2290A	Cap, Hub
60.	938-0380	Bolt, Shoulder, .500 x .270, 3/8-16
61.	741-0495	Bearing, Flange, .630 x .695 x .60
62.	748-04203	Latch, Cruise
63.	783-05914	Bracket, Support, Pedal Strap
64.	783-05940	Bracket, Support, Pedal Strap 5/8
65.	783-06103A	Bracket, Pedal, Brake
66.	736-0430	Washer, Flat, .350 x 1.59 x .062
67.	735-04118A	Pad, Pedal, Forward
68.	735-04135	Pad, Pedal, Reverse
69.	738-0430	Scr, Shldr, .50 x .685 3/8-16
70.	936-0344	Washer, Flat, .385 x 1.0 x .030
71.	747-05444	Belt Keeper Rod

46-inch Deck

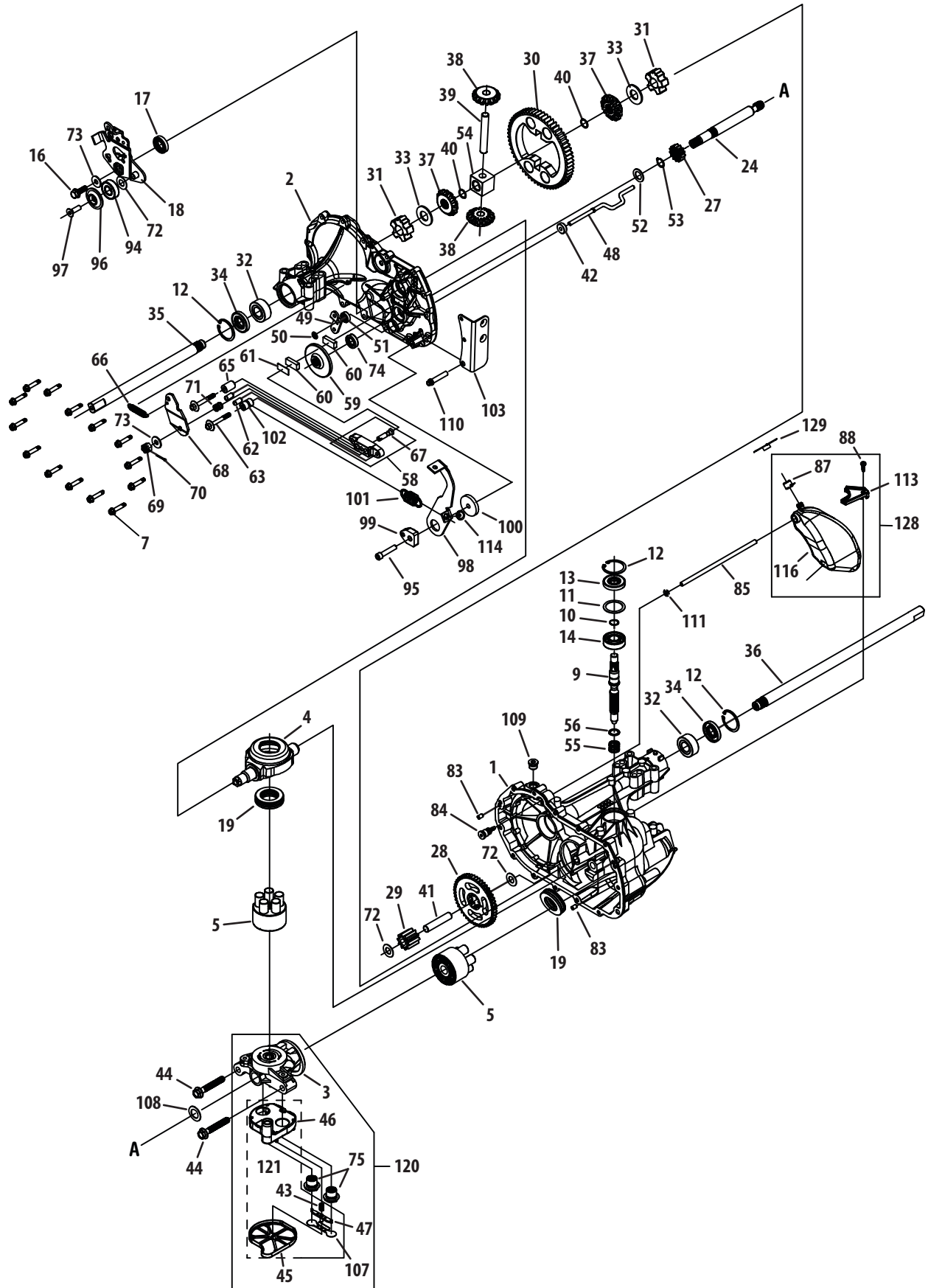


46-inch Deck

Ref.	Part Number	Description
1.	918-04865A	Spindle Assembly, Pulley 6.93 Dia.
2.	683-0254B	Bracket Assembly, Deck, Hanger LH
3.	983-04468A	Deck Assembly, Offset, 46"
4.	710-04484	Screw, Self-tapping, 5/16-18, .750,
5.	710-0514	Hex Screw, 3/8-16, 1.00, Gr5, Std
6.	710-0528	Hex Screw, 5/16-18, 1.25, Gr5, Std
7.	710-0599	Screw, Self-tapping, 1/4-20, 0.500,
8.	710-3144	Hex Screw, 3/8-16, 2.00, Gr5, Std
9.	710-3178	Bolt, Carriage, 3/8-16, 0.75, Gr1
10.	712-0229	Nut, Push, 3/8
11.	712-04065	Nut, Flange Lock, 3/8-16, Nylon
12.	712-0417A	Nut, Flange, 5/8-18
13.	712-04243	Nut, 1/2-13
14.	912-0641	Nut, Hex, M16-1.5 Din 936
15.	753-04070	Pin, Lynch, .1875
16.	914-0470	Pin, Cotter, 1/8 X 1.25
17.	917-04074	Gear, Deck, Adj
18.	921-04041	Adapter, Water
19.	731-06496	Cover, Belt, Universal
20.	732-0459C	Spring, Extension, .94 Dia. X 6.74
21.	732-04652	Spring, Compression, .535 OD X 1.75
22.	734-04155	Wheel, Deck, 5.0 Dia. Ball
23.	936-0119	Washer, Lock, 5/16, Regular Duty
24.	936-0179	Washer, Flat, .531 X 1.25 X .100
25.	736-0225	Washer, Lock, 5/8, Int. Tooth
26.	736-0262	Washer, Flat, .385 X .870 X .092

Ref.	Part Number	Description
27.	736-0317	Washer, Bell, .63 X 1.25 X .18
28.	936-0344	Washer, Flat, .385 X 1.0 X .030
29.	737-04003D	Port, Water
30.	738-04162A	Spacer, Shoulder, .8840 X .190
31.	938-3056	Bolt, Shoulder, .496 X 2.50, 3/8-16
32.	942-04244A	Blade, Cut, 23.25" 2-In-1, Cub
33.	747-04944B	Rod, Lift, Deck, Front, 13.7
34.	631-04288	Chute Assembly, 46" Deck
35.	747-1116	Rod, Deck Release .375 Dia.
36.	954-04219	Belt, V-Type, A Sec
37.	756-04129B	Pulley, Idler, 4.25" Dia.
38.	711-04847B	Pin, Hinge, 7.96
39.	783-06074	Bracket, Chute
40.	783-05946	Bracket, Idler, Pivot
41.	783-06243	Bracket, Cable, Deck Engage
42.	783-06368A	Bracket, Guard, Belt, 4.25 Pulley
43.	783-06643	Bracket, Support, Stationary Idler
44.	732-04372	Spring, Torsion, .44 I.D. X 2.0
45.	712-0417A	Nut, Flange, 5/8-18
46.	937-3000	Lube Fitting, 3/16
47.	738-1186A	Shaft, Spindle, 6.11
48.	941-0919	Bearing, Ball, .787 X 1.85 x.551
49.	750-04936	Spacer, .792 X 1.060 X 1.860
50.	756-04356	Pulley, Deck, 6.93 Dia.
51.	734-0973	Wheel, Deck 5.0 x 1.38
52.	938-0373	Bolt, Shoulder, .496 x 1.525, 3/8-16

Hydrostatic Transmission (Hydro-Gear 311-0510)

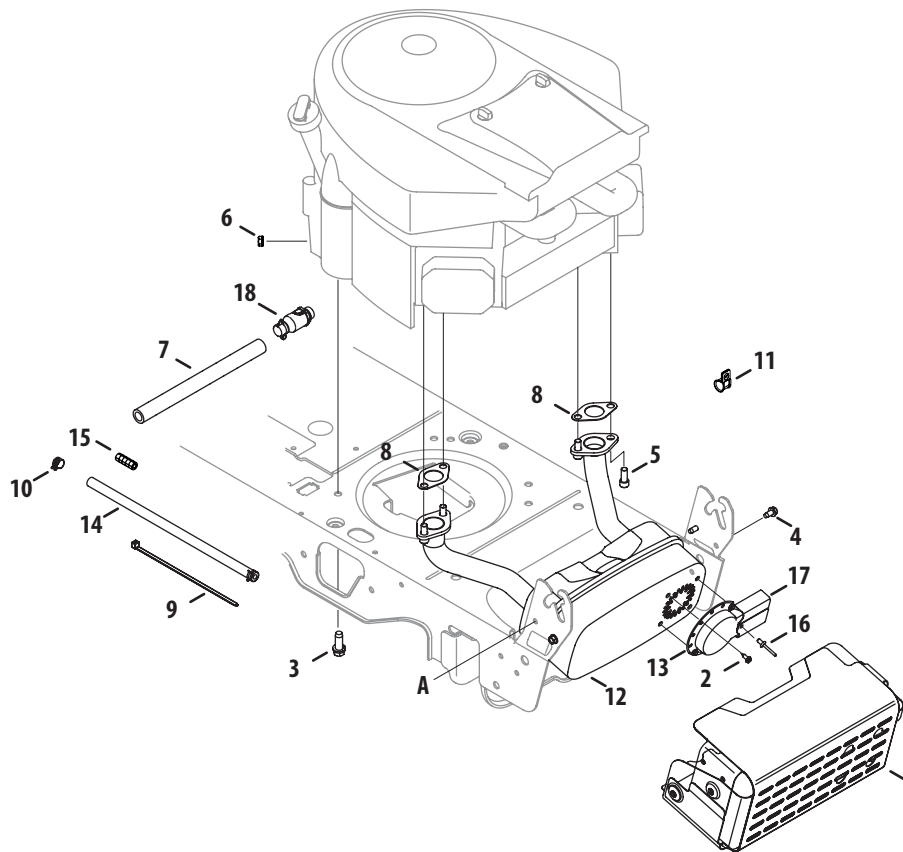


Hydrostatic Transmission (Hydro-Gear 311-0510)

Ref.	Part Number	Description	Ref.	Part Number	Description
1	HG-70467	Main Housing Assembly	40	HG-44871	Ring, Spiral Retaining
		Main Housing, Machined	41	HG-51083	Pin, Jackshaft
		Bushing ,865 x 985 x .790	42	HG-51100	Magnet, Ring
2	HG-70483	Main Housing Assembly	43	HG-51136	Spring, Bypass
		Main Housing, Machined	44	HG-50016	Hydro Mtg Screw 3/8-24 x 2.5
		Bushing ,865 x 985 x .790	45	HG-51581	Bottom, Filter
		Bushing 624 x 719 x .562	46	HG-51580	Base Filter W/ Poppet
3	HG-70477	Center Section Assembly	47	HG-51091	Actuator Bypass
		Center Section Machined	48	HG-51098	Rod Bypass Actuator
		Bushing. 707 x .788 x .591	49	HG-51135	Arm, Bypass
4	HG-51048	Swashplate, Trunnion Machined	50	HG-51116	Retaining Ring 0.250 External
5	HG-70331	Block - Assembly	51	HG-51081	Seal, Lip .741 x .250 x .250 Tc
		Block - Cylinder	52	HG-44371	Flat Washer 5/8 Id x 1.0 Od x .05
		Piston	53	HG-44145	Retaining Ring
		Spring, Compression	54	HG-51071	Bearing, Center Block
		Washer - Thrust	55	HG-2003014	Spring - Helical Compression
7	HG-51190	Hex Flange Screw 1/4-20 x-1,25	56	HG-2003017	Washer
9	HG-51062	Shaft, Input	58	HG-62589	Kit, Brake Yoke
10	HG-2000022	Ring - Retaining			Brake Yoke
11	HG-50951	Spacer			Sq. Hd, Bolt 5/16-24 Ribbed
12	HG-50329	Ring - Retaining	59	HG-51072	Rotor, Brake
13	HG-51161	Seal Lip .67 x 1.58 x .276	60	917-0678	Brake Puck
14	HG-50315	Ball Bearing 17mm Id x 40mm Od	61	917-0682	Puck Plate
16	HG-51064	Bolt. Flange 5/16-24 x .94 (Patch)	62	941-0343	Brake Actuating Pin
17	HG-51140	Lip Seal 18 x 32 x 7	63	HG-51146	Hex Screw 1/4-20 x 2 w/ Patch
18	HG-51119	Arm Control	65	HG-23711	Spacer
19	HG-50551P	Bearing 30x52 x 13 Thrust	66	HG-70896	Kit, Spring
24	HG-50966	Shaft Motor	67	HG-44138	So. Hd, Bolt 5/16-24- Ribbed
27	HG-51130	Gear - Pinnion 13t	68	HG-44094	Arm, Brake
28	HG-51129	10t/48t Gear	69	912-0273	Slotted Hex Nut 5/16-24
29	HG-51043	Gear Jot Jackshaft	70	914-0507	Cotter Pin 3/32 x 3/4
30	HG-51044	60t Bull Gear	71	HG-50919	Comp. Spring Brake Anti-Drag
31	HG-51088	Sleeve Bearing .75 x 1.750 x .625	72	HG-50132	Washer, Ht .5 I. D. x 1 OD, x .032
32	HG-51089	Sleeve Bearing .75 x 1.575 x .625	73	736-0371	Flat Washer, 11/32 ID x 7/8 OD
33	HG-44875	Washer 3/4 Id x 1-1/2 Od x .13 Thk	74	HG-70719	Kit, Seal
34	HG-51066	Lip Seal Axle Seal			Oil, Seal 625 x Lo x .25
35	HG-51079	Shaft Axle .75 x 11.39 (Dd R. H.)			Ring, Ret-Star Washer
36	HG-51078	Shaft Axle .75 x 17.99 (Dd, L, H.)			Bulletin, Shaft Seal
37	HG-71310	Miter Gear (Splined)	75	HG-51084	Check Plug Assem, .027 Washer
38	HG-44097	Miter Gear 15t (0.5 Id)	83	HG-9004800-2506	Pin, Standard Headless
39	HG-50146	Shaft	84	HG-51143	Fitting, 5/16 Sae 5/32 Tube

Hydrostatic Transmission (Hydro-Gear 311-0510)

Ref.	Part Number	Description	Ref.	Part Number	Description
85	HG-51147	Hose, Expansion Tank	121	HG-70756	Filter Assembly
87	HG-51251	Cap., Vent			Bottom Filter
88	HG-50653	Bolt, Self Tapping 10-32 x 112			Base Filter w/ Poppet
94	HG-44147	Ball Bearing .62 Id x 1,38 x 44			Spring Bypass
95	HG-50837	Cap Screw, 5/16-24 x 1-112			Actuator Bypass
96	HG-51200	Spacer, Locating			Deflector
97	HG-50870	Screw, Sfhcs	128	HG-70503	Kit, Expansion Tank
98	HG-51120	Arm, Return			Tank, Expansion
99	HG-51097	Puck, Adjusting			Cap, Vent
100	HG-51122	Washer, .325 OD x 1.6 ID x .150			Bolt, Self Tapping 10-32 x 1/2
101	HG-51131	Spring, Extension			Bracket, Support Expansion Tank
102	HG-51123	Spacer, .56 x .26 x .87			Silicon-Sponge 112 x 1/2 x 3/16
103	HG-51223	Bracket, Torque	129	HG-51252	Cap, Expansion Tank Shipping
107	HG-51134	Deflector	—	HG-50928	Sealant
108	HG-51069	Washer, Motor Shaft .71 Id 1.15 Od	—	HG-70463	Seal, O-Ring Kit
109	HG-9005110-5600	Plug, SAE #6	—	—	20w-50 Oil (78.8 oz)
110	HG-50868	Torx Head Screw, 5/16-18			
111	HG-51144	O-Ring, .07 x .301 ID			
113	HG-51179	Bracket, Support Expansion Tank			
114	HG-51184	Spring Guide			
116	HG-51196	Silicon Sponge			
120	HG-70759	Center Section - Bypass Assm			
		Center Section Machined			
		Base Filter w/ Poppet			
		Check Plug Assembly			
		Spring Bypass			
		Actuator Bypass			
		Deflector			
		Bottom, Filter			
		Bushing, .707 x .788 x .591			



Ref.	Part Number	Description
1.	683-04549	Shield Ass'y, Muffler
2.	710-0227	Screw, Ab, #8-18, 0.500,
3.	710-04683	Screw, Self-tapping, 3/8-16, 1.000,
4.	710-0599	Screw, Self-tapping, 1/4-20, 0.500,
5.	710-1314A	Screw, Socket Head, 5/16-18, .750
6.	712-0271	Nut, Sems, 1/4-20
7.	751-3141-14	Hose, Extension, Oil Drain
8.	KH-24-41-49-S	Gasket, Exhaust, Kohler
	721-0460	Gasket, Exhaust, Kawasaki
9.	725-0157	Cable, Tie, 3/16 x .05 x 7.4
10.	726-0205	Clamp, Hose, .490 Dia.

Ref.	Part Number	Description
11.	726-0272†	Clamp, 9/16 Dia.
12.	751-10528A	Muffler, Kohler
	751-11278	Muffler, Kawasaki Twin
13.	751-0564B	Deflector, Muffler
14.	751-10349-16	Hose, Fuel, Low Permeation, 1/4
15.	751-12089-28	Hose, Vent *
16.	728-04000†	Rivet, Pop, .188 Dia x .300
17.	751-10353	Deflector, Muffler, Long
	751-11053	Deflector, Muffler, Long *
18.	951-10517A†	Drain, Oil

† If Equipped

* Models built after Jan. 1, 2011.

LTX 1046/KW Labels

777D15460



777D12864



777D15459



777123293



777S33233 Kohler

777S33185 Kawasaki

⚠ DANGER
ROTATING BLADES CAUSE SERIOUS INJURY OR DEATH

- DO NOT MOW WHEN CHILDREN OR OTHERS ARE AROUND
- NEVER CARRY CHILDREN EVEN WITH BLADE(S) OFF.
- LOOK DOWN AND BEHIND BEFORE AND WHILE BACKING.
- MOWING IN REVERSE IS NOT RECOMMENDED.

⚠ WARNING
TO AVOID SERIOUS INJURY OR DEATH

- GO UP AND DOWN SLOPES, NOT ACROSS.
- AVOID SUDDEN TURNS.
- DO NOT OPERATE THE UNIT WHERE IT COULD SLIP OR TIP.
- IF MACHINE STOPS GOING UPHILL, STOP BLADE(S) AND BACK DOWNHILL SLOWLY.
- KEEP SAFETY DEVICES (GUARDS, SHIELDS, AND SWITCHES, ETC.) IN PLACE AND WORKING.
- REMOVE OBJECTS THAT COULD BE THROWN BY THE BLADE(S).
- KNOW LOCATION AND FUNCTION OF ALL CONTROLS.
- BE SURE BLADE(S) AND ENGINE ARE STOPPED BEFORE PLACING HANDS OR FEET NEAR BLADE(S).
- BEFORE LEAVING OPERATOR'S POSITION, DISENGAGE BLADE(S), ENGAGE PARKING BRAKE, SHUT OFF AND REMOVE KEY.

READ OPERATOR'S MANUAL

⚠ WARNING
Operation Of This Equipment May Create Sparks That Can Start Fires Around Dry Vegetation. A Spark Arrestor May Be Required. The Operator Should Contact Local Fire Agencies For Laws Or Regulations To Fire Prevention Requirements.

TO START

1. DISENGAGE BLADES/PTO, (POWER TAKE OFF)
2. ENGAGE THE TRACTOR'S PARKING BRAKE.
3. ACTIVATE THE CHOKER CONTROL.
4. TURN KEY TO START ENGINE. AFTER START RELEASE KEY & DEACTIVATE CHOKER BY PLACING THROTTLE TO FAST "RABBIT" POSITION.

OPERATING MODES

NORMAL MOWING
YOU MUST DISENGAGE BLADES/PTO, (POWER TAKE OFF) BEFORE TRAVELING IN REVERSE.

REVERSE CAUTION MODE

1. TURN KEY TO REVERSE CAUTION MODE POSITION.
2. DEPRESS REVERSE PUSH BUTTON. (RED INDICATOR LIGHT "ON") WHEN RED LIGHT IS "ON" MACHINE CAN BE OPERATED IN REVERSE WITH MOWER BLADES ENGAGED. IMPORTANT: MOWING IN REVERSE IS NOT RECOMMENDED.
3. AFTER RESUMING FORWARD OPERATION, RETURN KEY TO "NORMAL MOWING" POSITION.

LOWER DASH

PARKING BRAKE
DEPRESS BRAKE PEDAL, PUSH PARKING BRAKE LEVER DOWN AND RELEASE PEDAL TO LOCK

CRUISE CONTROL
DEPRESS SPEED CONTROL PEDAL TO DESIRED SPEED, PUSH CRUISE CONTROL LEVER DOWN AND RELEASE PEDAL, PRESS BRAKE OR SPEED CONTROL TO RELEASE

(LOCATED ON DRIVERS RIGHT) DIRECTION/SPEED CONTROL PEDAL

For A List Of Optional Attachments, Please Refer To Your Operators Manual.

777D15269



777D15268



777D15402



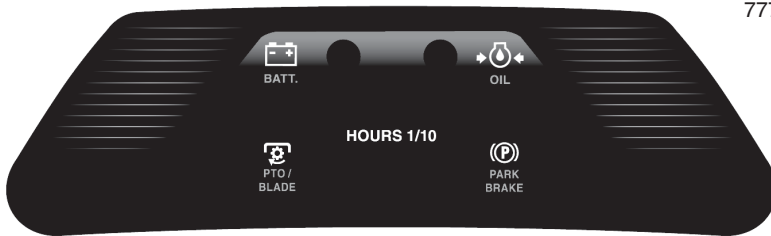
777D15409



777D15399



777123490



777123294 Kohler
777123295 Kawasaki



777D15448



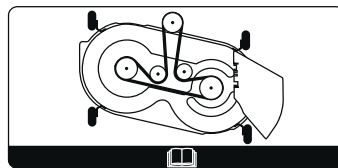
777D15449



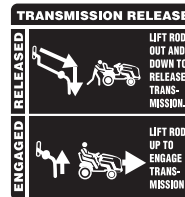
777S30018



777123092

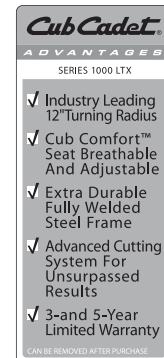


777123132



777D15419

777123133



777S30503



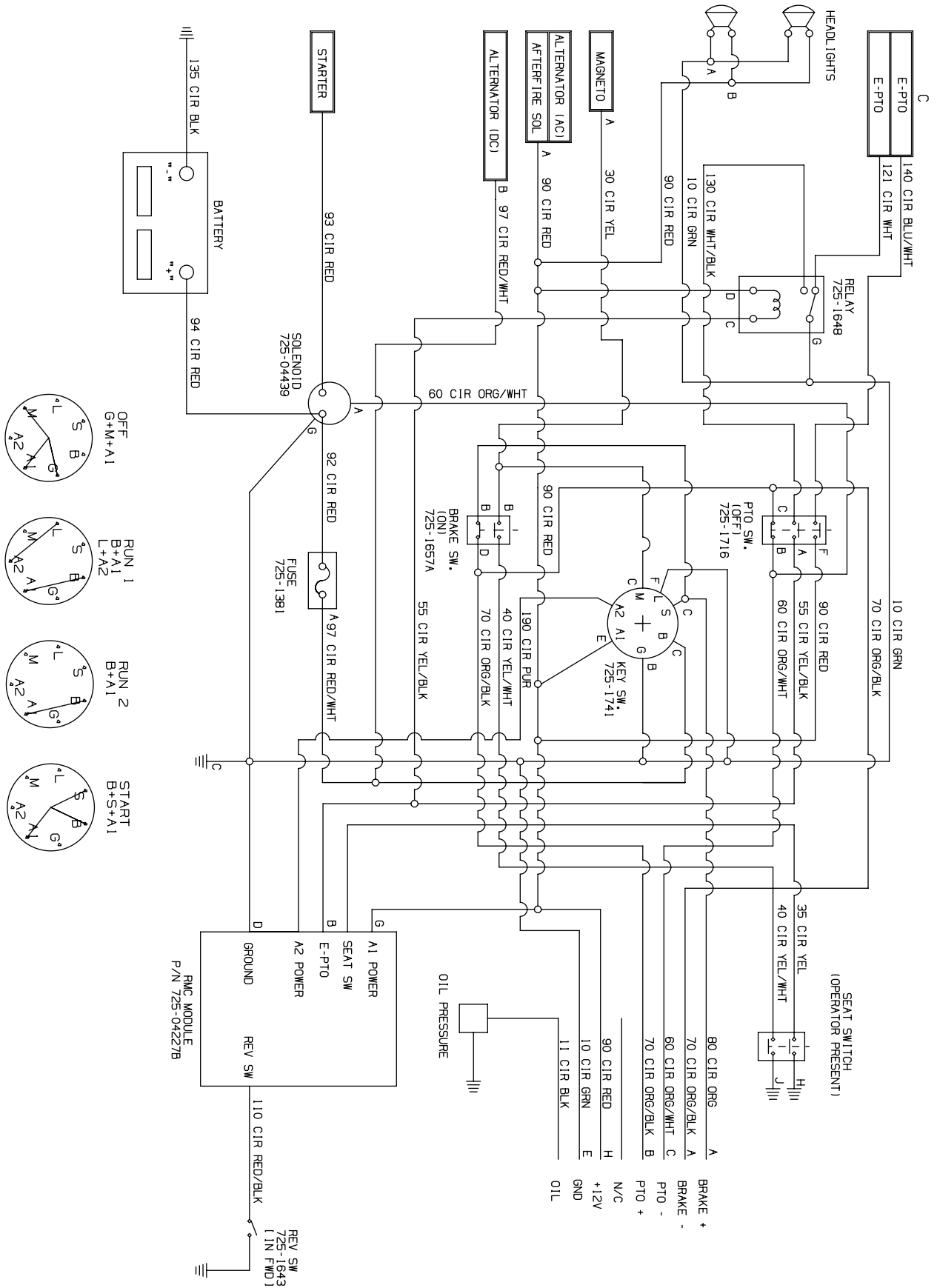
777X44918 Kohler

777X44912 Kawasaki

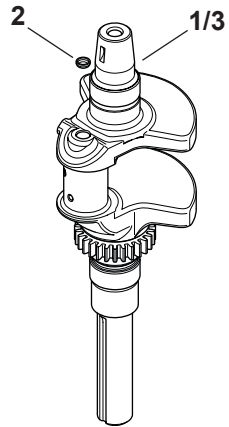
MODEL LTX 1046VT REPLACEMENT PARTS		
Use only Cub Cadet genuine factory parts		
Blades	942-04244A (2)	KM-49065-7007
Lower Drive Belt	954-04207	KM-11013-7049
Engine To Deck Belt	954-04219	KM-11013-7046
Deck Spindles	918-0485A	KM-BP46ES
Ignition Key	725-2054A	KM-49019-7005
Solenoid	725-04439	

www.cubcadet.com

Electrical Schematic

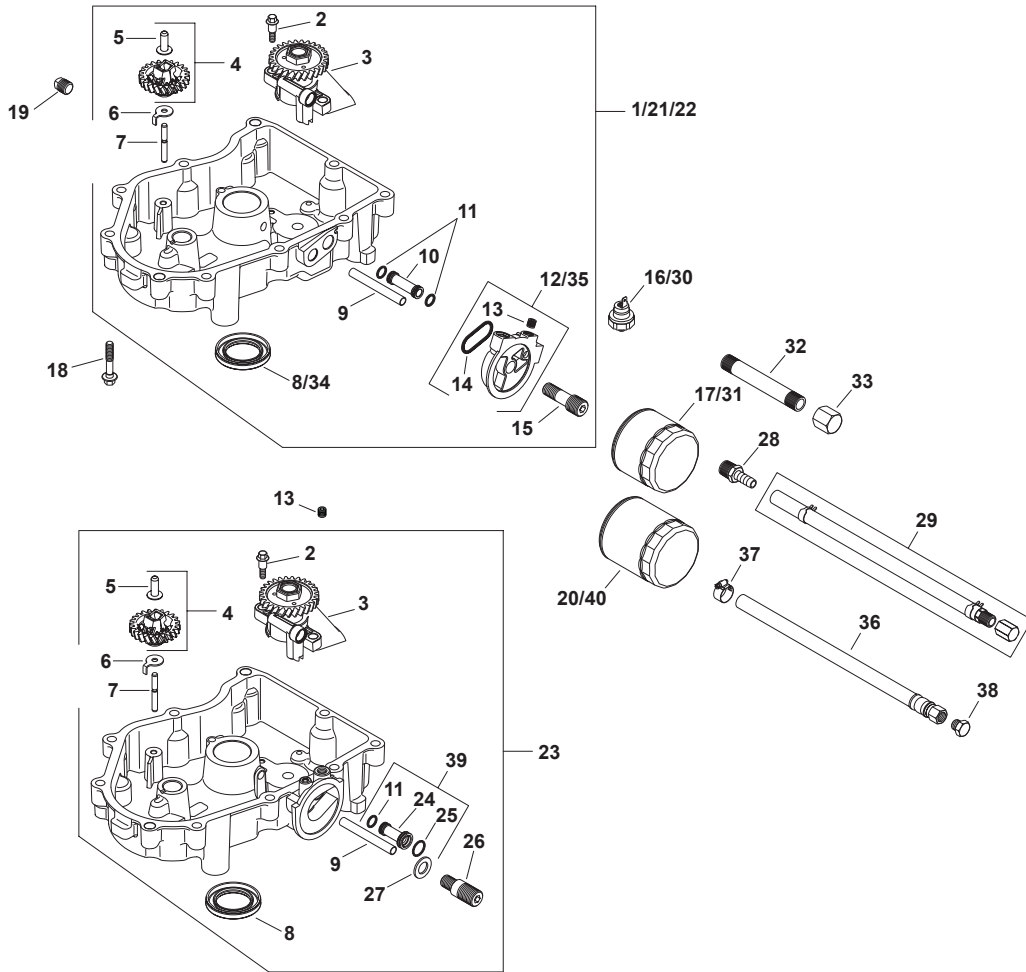


Kohler SV720-0002 Crankshaft



Ref.	Part Number	Description
2	KH-52-139-09-S	Cup Plug
3	KH-32-014-303-S	Crankshaft (Inc. 2)

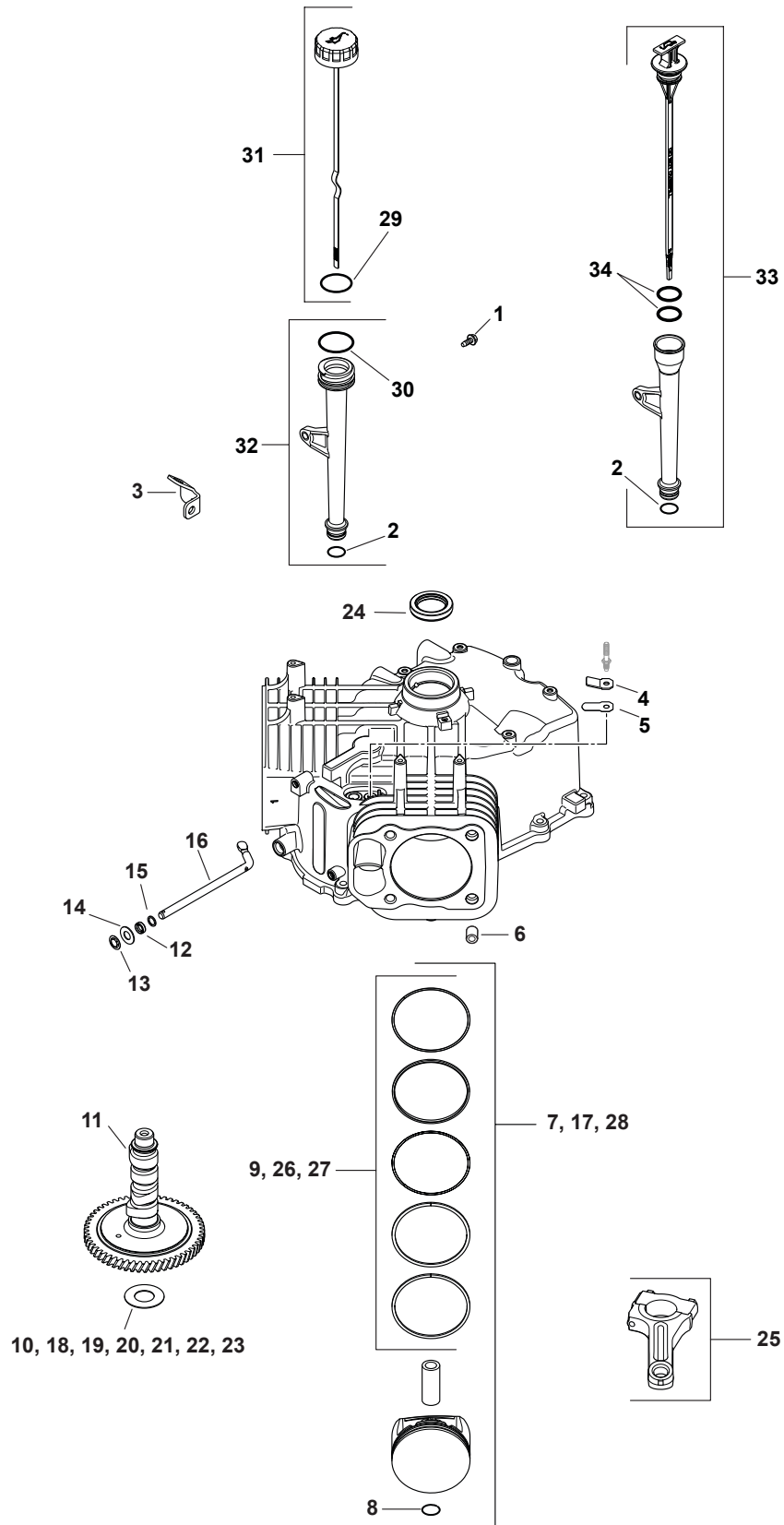
Kohler SV720-0002 Oil Pan/Lubrication



Ref.	Part Number	Description
2	KH-32-086-01-S	Shd. Thd. Frm. Screw, M6 X .0 X 6.5
3	KH-32-393-10-S	Oil Pump Assembly
4	KH-24-043-12	Governor Gear w/ Pin Kit (Inc. 5)
5	KH-12-380-01	Governor Regulating Pin
6	KH-24-448-02-S	Locking Tab
7	KH-12-144-02	Governor Gear Shaft
8	KH-25-032-06-S	Oil Seal
9	KH-32-123-01-S	Oil Feed Tube - Filter To Pan
11	KH-24-153-01	Oil Pick-Up O-Ring
13	KH-25-139-60-S	Pipe Plug, 1/8"
16	KH-25-099-27-S	Oil Pressure Switch

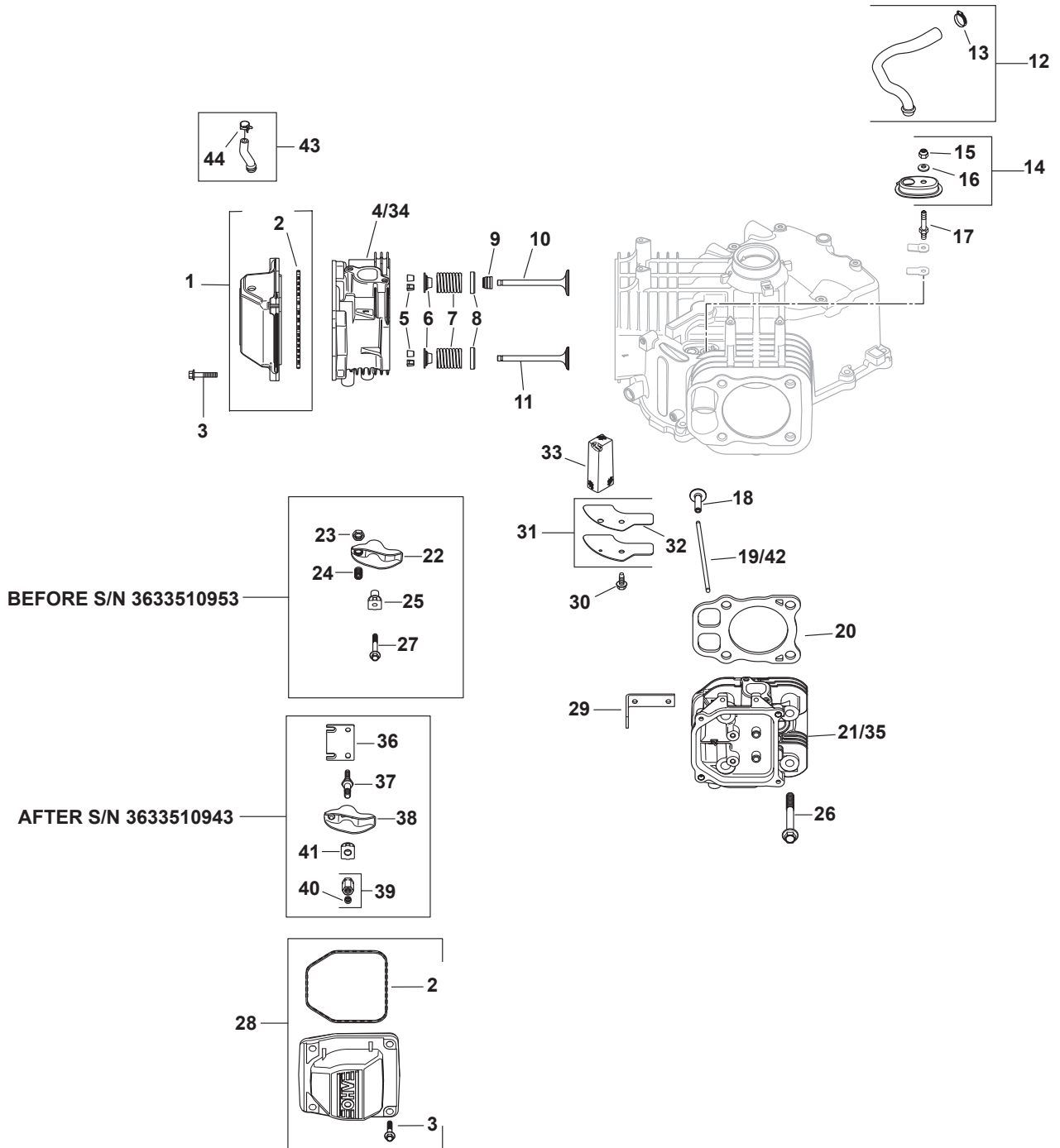
Ref.	Part Number	Description
17	KH-12-050-01-S	Oil Filter
18	KH-24-086-17-S	Flg. Screw, M8 x 1.25 x 45
19	KH-25-139-57-S	Sq. Hd. Pipe Plug, 3/8
23	KH-32-199-14-S	Oil Pan Ass'y (Inc. 4-9, 11, 24-27, 39)
24	KH-32-123-06-S	Oil Feed Tube
25	KH-32-153-05-S	O-Ring
26	KH-32-136-05-S	Oil Filter Nipple
27	KH-32-468-02-S	Flat Washer
39	KH-32-123-09-S	Oil Feed Tube Assembly (Includes 11, 24, 25)

Kohler SV720-0002 Crankcase



Ref.	Part Number	Description
1	KH-M-545013-S	Flg. Thd. Frm. Screw, M5 X 0.8 X 13
2	KH-12-153-01-S	Lower Oil Fill Tube O-Ring
3	KH-24-126-19	Oil Fill Tube Bracket
4	KH-24-018-04-S	Breather Reed Retainer
5	KH-12-402-02	Breather Reed
6	KH-24-380-16-S	Locating Pin
7	KH-25-874-01-S	Piston Kit w/ Ring Set (Inc. 8, 26)
8	KH-24-018-01-S	Piston Pin Retainer
9	KH-24-108-15-S	Ring Set (.08)
10	KH-12-422-07-S	Camshaft Shim (White .028")
11	KH-32-012-01-S	Camshaft Kit (Inc. KH-25-357-14-S)
12	KH-28-032-09-S	Governor Cross Shaft Seal
13	KH-24-018-09-S	Ring Retainer
14	KH-M-931010-S	Flat Washer, 9 Mm
15	KH-24-468-15-S	Flat Washer, 1 ¹ / ₃₂
16	KH-24-144-38-S	Governor Cross Shaft
17	KH-25-874-03-S	Piston Kit w/ Ring Set (0.25) 83mm
18	KH-12-422-08-S	Camshaft Shim (Blue .03")
19	KH-12-422-09-S	Camshaft Shim (Red .032")
20	KH-12-422-10-S	Camshaft Shim (Yellow .034")
21	KH-12-422-11-S	Camshaft Shim (Green .036")
22	KH-12-422-12-S	Camshaft Shim (Gray .038")
23	KH-12-422-13-S	Camshaft Shim (Black .04")
24	KH-24-032-19-S	Oil Seal (Helix Lip)
25	KH-24-067-28-S	Connecting Rod (Std)
26	KH-24-108-14-S	Ring Set (Std)
27	KH-24-108-16-S	Ring Set (.25)
28	KH-25-874-02-S	Piston Kit w/ Ring Set (0.08) 83mm (Inc. 8 & 9)
29	KH-25-153-02-S	Dipstick O-Ring (Before S/N 3909900011)
30	KH-12-153-02-S	Upper Oil Fill Tube O-Ring (Before S/N 3909900011)
31	KH-24-038-04-S	Dipstick Assembly (Inc. 29) (Before S/N 3909900011)
32	KH-32-755-04-S	Tube Assembly (Inc. 2, 30) (Before S/N 3909900011)
33	KH-32-755-04-S	Dipstick & Tube Kit (Inc. 2 & 29) (After S/N 3909900011)
34	KH-20-153-01-S	O-Ring (Use KH-25-153-09-S After S/N 3909900011)
N/A	KH-25-357-14-S	Camshaft Lubricant

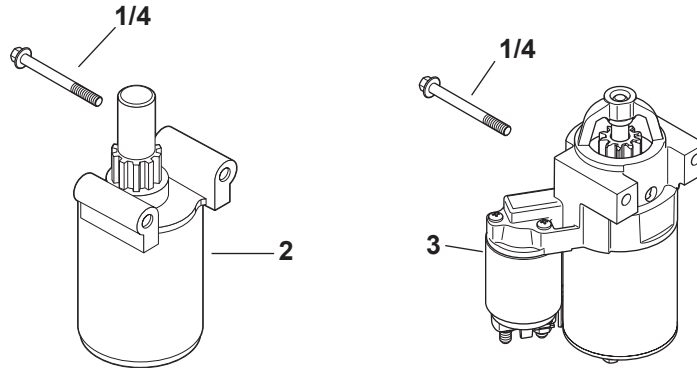
Kohler SV720-0002 Head/Valve/Breather



Kohler SV720-0002 Head/Valve/Breather

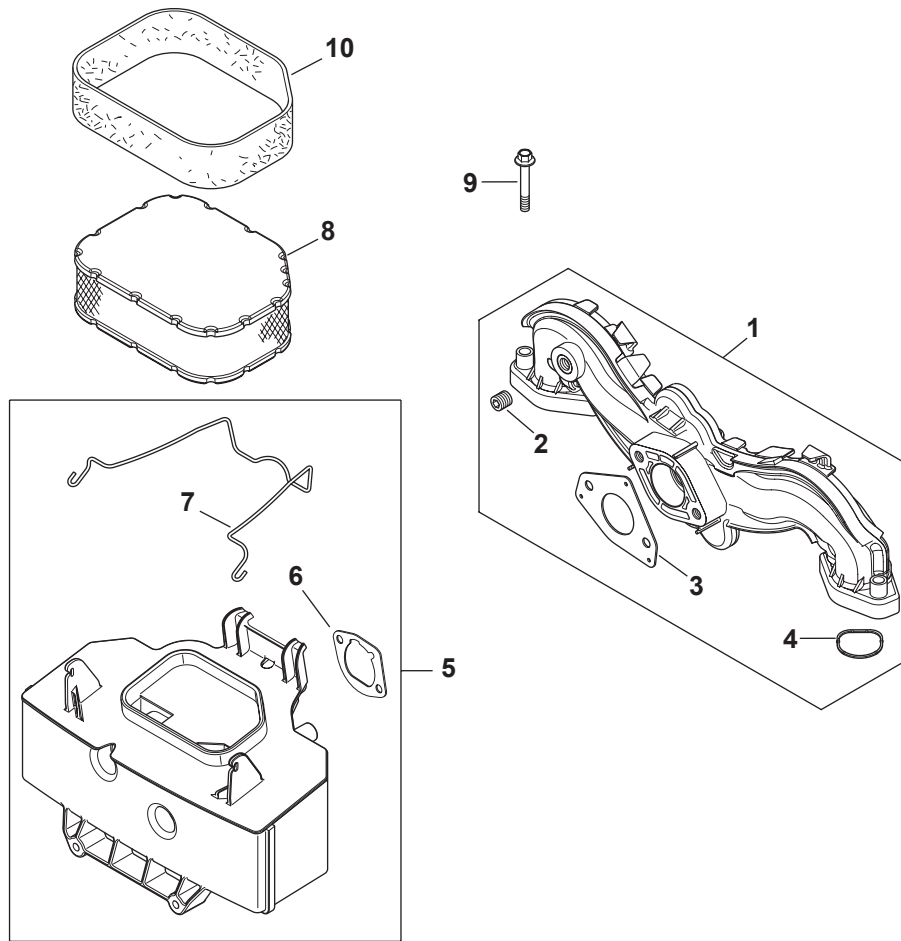
Ref.	Part Number	Description	Ref.	Part Number	Description
1	KH-32-096-06-S	Breather Valve Cover Kit (Inc. 2)	30	KH-M-645016-S	Flg. Thd. Frm. Screw, M6 X 1.0 X 16
2	KH-24-153-30-S	Valve Cover O-Ring	31	KH-32-096-04-S	Breather Cover Kit (Inc. 32)
3	KH-M-651030-S	Flg. Screw, M6 X 1.0 X 30	33	KH-32-050-01-S	Breather Filter
5	KH-12-755-03	Retainer Kit	34	KH-32-318-13-S	#1 Cylinder Head Assembly Kit (Inc. Exhaust Mounting Hardware)
6	KH-12-173-01	Valve Spring Cap	35	KH-32-318-14-S	#2 Cylinder Head Assembly Kit (Inc. Exhaust Mounting Hardware)
7	KH-24-089-02	Valve Spring	36	KH-32-146-09-S	Guide Plate
8	KH-235011-S	Spring Retainer	37	KH-32-072-04-S	Rocker Stud
9	KH-66-032-05-S	Valve Stem Seal	38	KH-32-186-03-S	Rocker Arm
10	KH-24-017-01	Intake Valve (Std)	39	KH-32-100-05-S	Hex Nut Assembly (Includes 40)
11	KH-24-016-01	Exhaust Valve (Std)	40	KH-25-086-168-S	Set Screw
12	KH-32-326-06-S	Kit, Breather Hose Kit (Inc. 13)	41	KH-25-599-01-S	Rocker Arm Pivot
13	KH-25-237-14-S	Hose Clamp, ½	42	KH-32-411-04-S	Push Rod
14	KH-32-081-02-S	Breather Housing Kit (Inc. 15, 16)	43	KH-32-326-07-S	Fuel Pump Hose w/ Clamp Kit (Inc. 44)
15	KH-M-547050-S	Lock Nut, M 5 X .8	44	KH-25-237-01-S	Hose Clamp
16	KH-32-468-01-S	Sealing Washer	N/A	KH-32-755-03-S	Cylinder Head Hardware Kit (Services 1 Head, Quantities Listed Are For Both Heads) (Inc. 5-11, & 36-42)
17	KH-32-072-03-S	Breather Cover Stud	N/A	KH-24-041-49-S	Exhaust Gasket
18	KH-32-019-02-S	Tappet	N/A	KH-24-153-27-S	Intake Port O-Ring
20	KH-32-841-01-S	Cylinder Head Gasket Kit (Inc. 26, KH-24-041-49-S And KH-24-153-27-S)			
26	KH-62-086-08-S	Flg. Screw, M 10 X 1.5 X 90			
28	KH-24-755-141-S	Breather Valve Cover Kit (Inc. 2 & 3)			
29	KH-25-445-01-S	Lifting Strap			

Kohler SV720-0002 Starting System



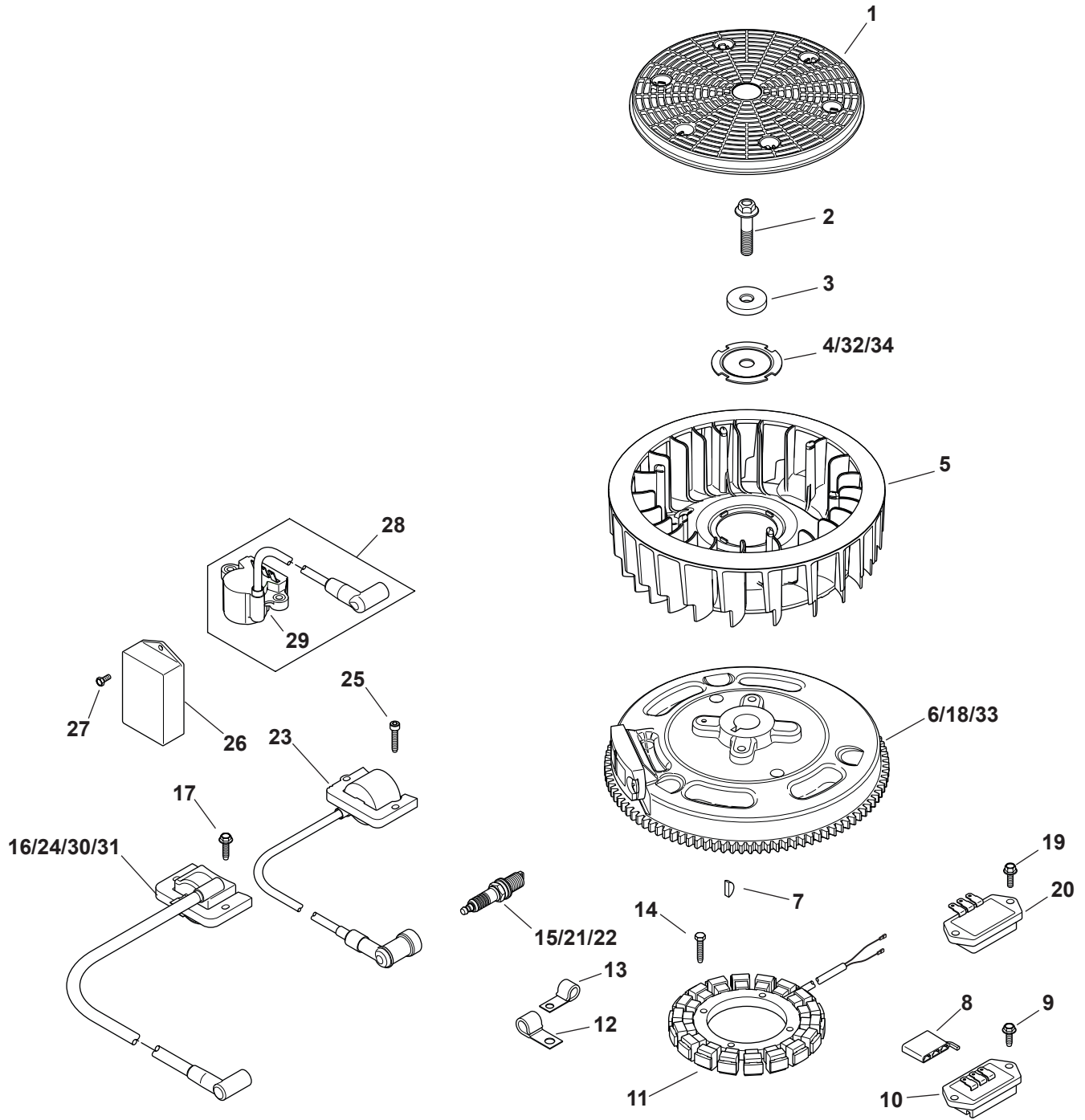
Ref.	Part Number	Description
2	KH-32-098-03-S	Starter Assembly
4	KH-M-851080-S	Flg. Screw, M8 X 1.25 X 80

Kohler SV720-0002 Air Intake/Filtration



Ref.	Part Number	Description
1	KH-24-164-91-S	Intake Manifold Kit (Inc. 2-4)
2	KH-25-139-60-S	Pipe Plug, 1/8"
3	KH-24-041-52-S	Carburetor Gasket
4	KH-24-153-27-S	Intake Port O-Ring
5	KH-32-094-04-S	Air Cleaner Base Kit (Inc. 5 & 6)
6	KH-24-041-14	Air Cleaner Base Gasket
7	KH-32-344-02-S	Air Cleaner Element Latch
8	KH-32-883-03-S1	Air Filter Element
9	KH-M-651040-S	Fig. Screw, M6 X 1.0 X 40
10	KH-32-883-03-S1	Pre-Cleaner Element

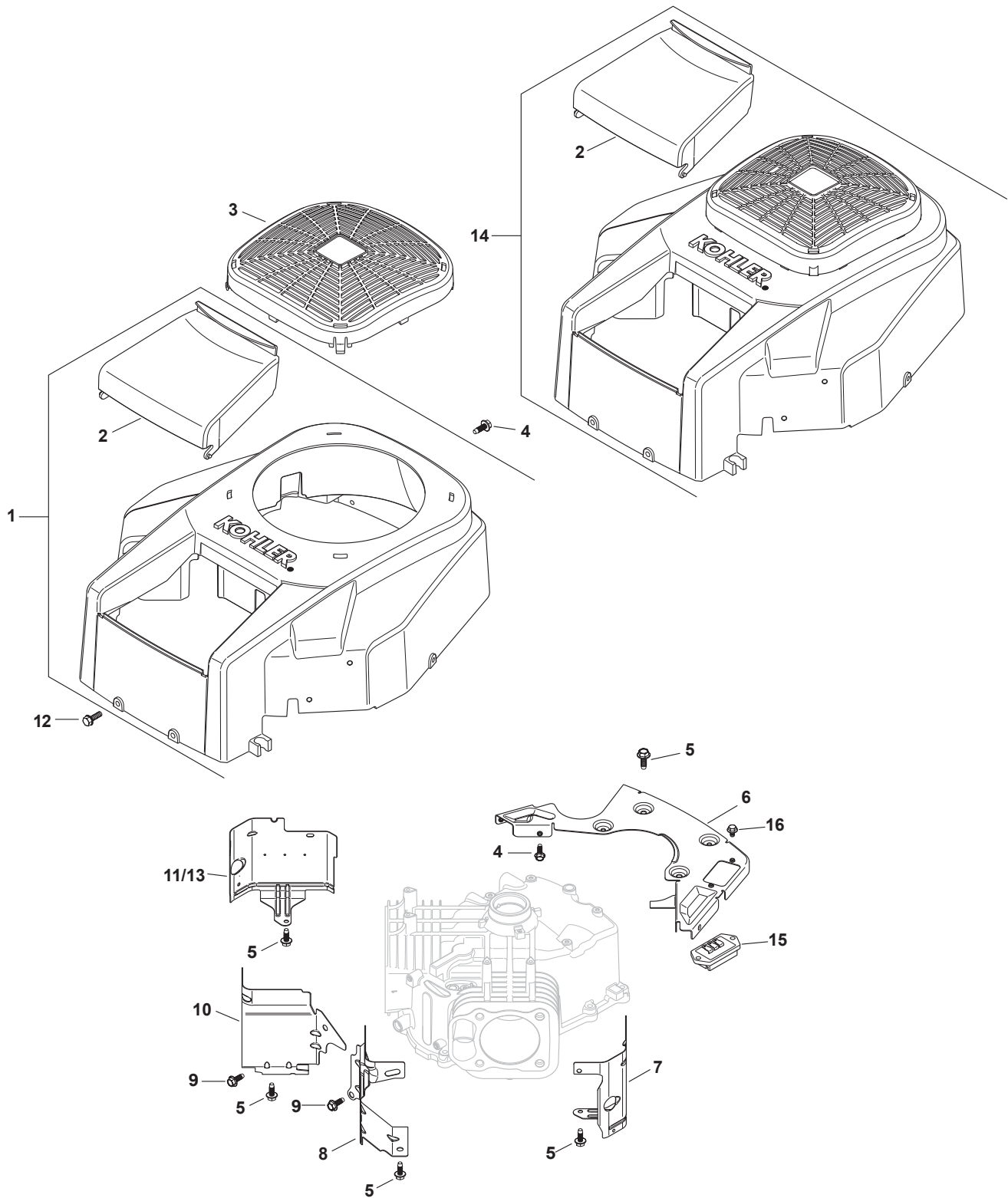
Kohler SV720-0002 Ignition/Electrical



Kohler SV720-0002 Ignition/Electrical

Ref.	Part Number	Description
1	KH-32-162-03-S	Grass Screen
2	KH-12-086-14	Flg. Screw, M 10 X 1.5 X 45
3	KH-12-468-03	Flat Washer, ¹³ / ₃₂
4	KH-20-146-05-S	Fan Mounting Plate
5	KH-32-157-01-S	Fan
6	KH-32-025-16-S	Flywheel Assembly
7	KH-X-42-15	Key, ³ / ₁₆ X ⁵ / ₈
8	KH-25-155-41-S	Connector
11	KH-237878	15 Amp Stator Kit (Inc. KH-25-452-01-S)
14	KH-M-548025-S	Thd. Frm. Screw, M5 X 0.8 X 25
16	KH-24-584-45-S	Module Ignition Kit
17	KH-M-545020-S	Flg. Thd. Frm. Screw, M5 X .8 X 20
22	759-3336	Spark Plug
N/A	KH-25-454-03-S	Wire Tie
N/A	KH-32-176-24-S	Wiring Harness
N/A	KH-25-454-05-S	Tie
N/A	KH-25-452-01-S	Terminal

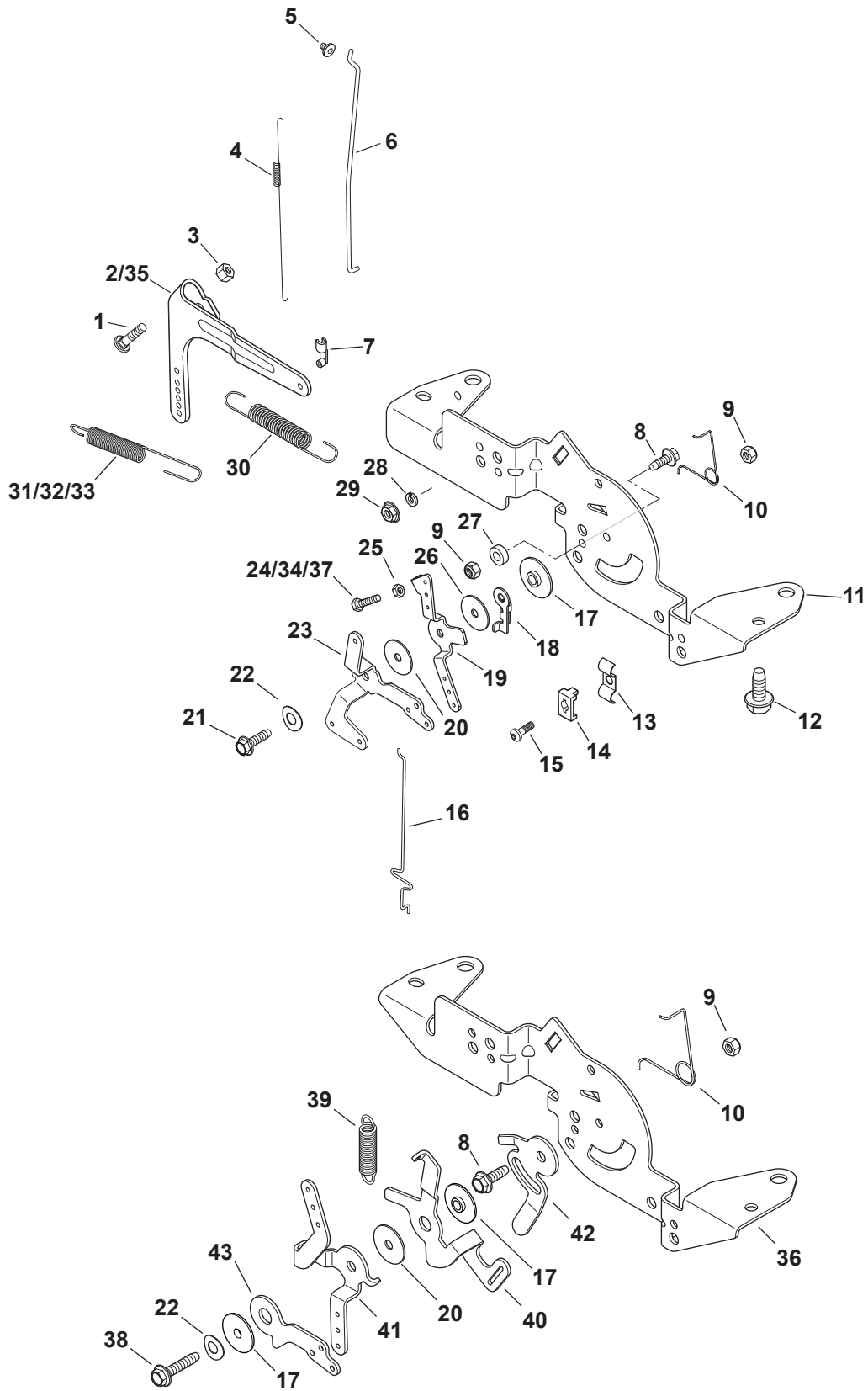
Kohler SV720-0002 Blower Housing & Baffles



Kohler SV720-0002 Blower Housing & Baffles

Ref.	Part Number	Description
1	KH-32-027-03-S	Housing Blower Kit (Inc. 2 & KH-41-037-10-S)
2	KH-32-096-08-S	Air Cleaner Cover
4	KH-M-545016-S	Flg. Thd. Frm. Screw, M5 X 0.8 X 16
5	KH-M-645016-S	Flg. Thd. Frm. Screw, M6 X 1.0 X 16
6	KH-32-146-05-S	Backing Plate Kit
7	KH-32-063-12-S	Cyl. Barrel Baffle - #2 Side
8	KH-32-063-02-S	Valley Baffle - #2 Side
9	KH-M-0545010	Flg. Thd. Frm. Screw, M5 X .8 X 10
10	KH-32-063-03-S	Valley Baffle - #1 Side
11	KH-32-063-10-S	Cyl. Barrel Baffle - #1 Side
12	KH-24-086-12	Tap Screw, M6 X 1.7 X 18
15	KH-41-403-10-S	Regulator/Rectifier
16	KH-25-086-158-S	Flg. Thd. Frm. Screw, M6 X 1.0 X 10
N/A	KH-41-037-10-S	Service Nameplate

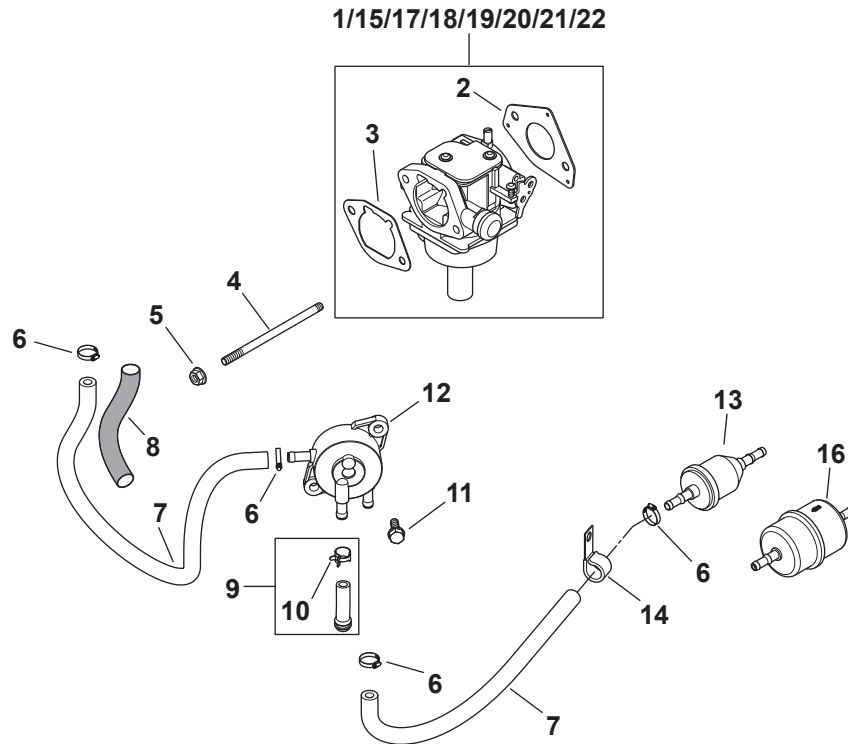
Kohler SV720-0002 Engine Controls



Kohler SV720-0002 Engine Controls

Ref.	Part-Number	Description
1	KH-24-211-03-S	Rd. Hd. Sq. Neck Bolt, M6 x 1.0 x 25
3	KH-M-641060-S	Flg. Nut, M6 x 1.0
4	KH-24-089-01	Linkage Spring
5	KH-25-158-08	Linkage Retaining Bushing
6	KH-24-079-04	Throttle Linkage
7	KH-25-158-11	Throttle Linkage Bushing
8	KH-M-545016-S	Flg. Thd. Frm. Screw, M5 X 0.8 X 16
9	KH-M-547050-S	Nut, M5 x .8, Lock
10	KH-24-089-03	Choke Return Spring
12	KH-M-645016-S	Flg. Thd. Frm. Screw, M6 x 1.0 x 16
13	751K4723702	Dual Conduit Clamp
14	KH-12-237-01	Cable Clamp
15	KH-24-086-43-S	Lbd. Thd. Frm. Screw, M5 x 0.8 x 16
16	KH-24-079-22-S	Choke Linkage
17	KH-24-112-27-S	Control Assembly Spacer
20	KH-24-468-01	Flat Washer, 5.5mm
22	KH-41-468-01	Spring Washer, 1/4"
30	KH-24-089-55-S	Governor Spring
33	KH-24-089-18	Governor Spring
35	KH-24-090-51-S	Governor Lever
36	KH-24-126-172-S	Control Bracket
38	KH-25-086-151-S	Thd. Frm. Screw, M5 x 0.8 x 25
39	KH-32-089-03-S	Speed Control Spring
40	KH-32-090-07-S	Governor Spring Lever
41	KH-32-090-08-S	Speed Control Lever
42	KH-32-090-09-S	Speed Setting Lever
43	KH-32-090-10-S	Choke Lever

Kohler SV720-0002 Fuel System



Ref.	Part-Number	Description
2	KH-24-041-52-S	Carburetor Gasket
3	KH-24-041-14	Air Cleaner Base Gasket
4	KH-M-629105-S	Stud, M6 X 1.0 X 106
5	KH-M-641060-S	Flg. Nut, M6 X 1.0
6	KH-25-237-14-S	Hose Clamp, 1/2
7	KH-25-111-34-S	Fuel Line
8	KH-25-431-10-S	Anti Abrasion Sleeve
9	KH-32-326-07-S	Pulse Pump Hose (Inc. 10)
10	KH-25-237-01-S	Hose Clamp
11	KH-24-086-12	Tap Screw, M6 X 1.7 X 18

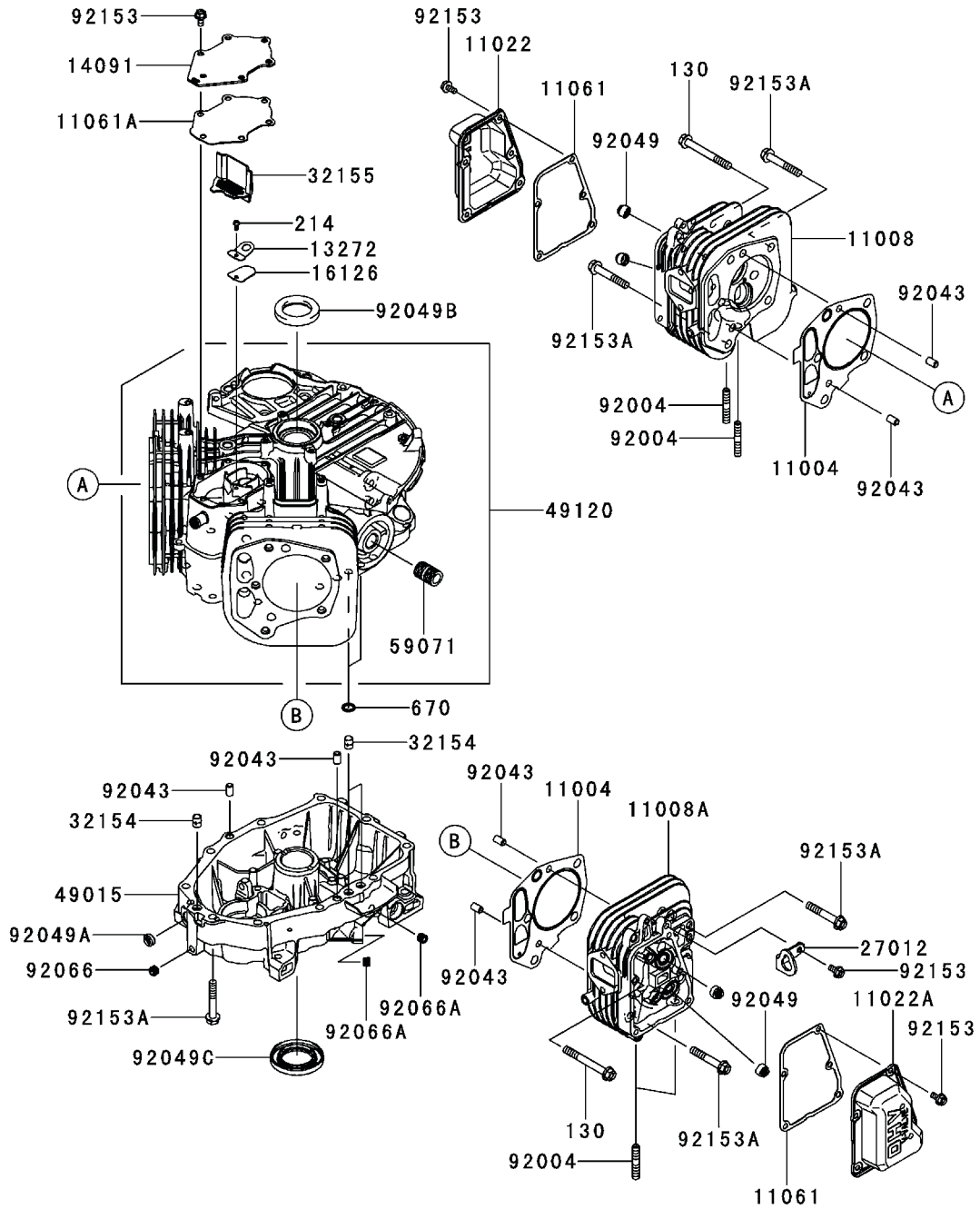
Ref.	Part-Number	Description
12	KH-24-393-16	Fuel Pump
13	KH-25-050-22-S1	Fuel Filter
14	KH-47-154-01-S	Cable Clip
15	KH-32-853-11-S	Carburetor Kit, 19mm KEIHIN (Inc. 2 & 3)
N/A	KH-24-757-36-S	Choke Repair Service Kit (Inc. 2 & 3)
N/A	KH-24-757-38-S	Gasket Repair Service Kit (Inc. 2 & 3)
N/A	KH-24-757-44-S	Float Kit (Inc. 2 & 3)
N/A	KH-24-757-45-S	Solenoid Valve Repair Kit (Inc. 2 & 3)
N/A	KH-24-757-46-S	Repair Overhaul Kit (Inc. 2 & 3)

Kohler SV720-0002 Miscellaneous

Ref.	Part Number	Description
N/A	Decals	
—	KH-25-113-39-S	Clear Laminate Decal
—	KH-32-113-07-S	Decal, 23 HP
N/A	KH-32-522-03	SV710-740 Shortblock
N/A	KH-32-755-01-S	Gasket Set

Kawasaki FR600V-AS06 Cylinder/Crankcase

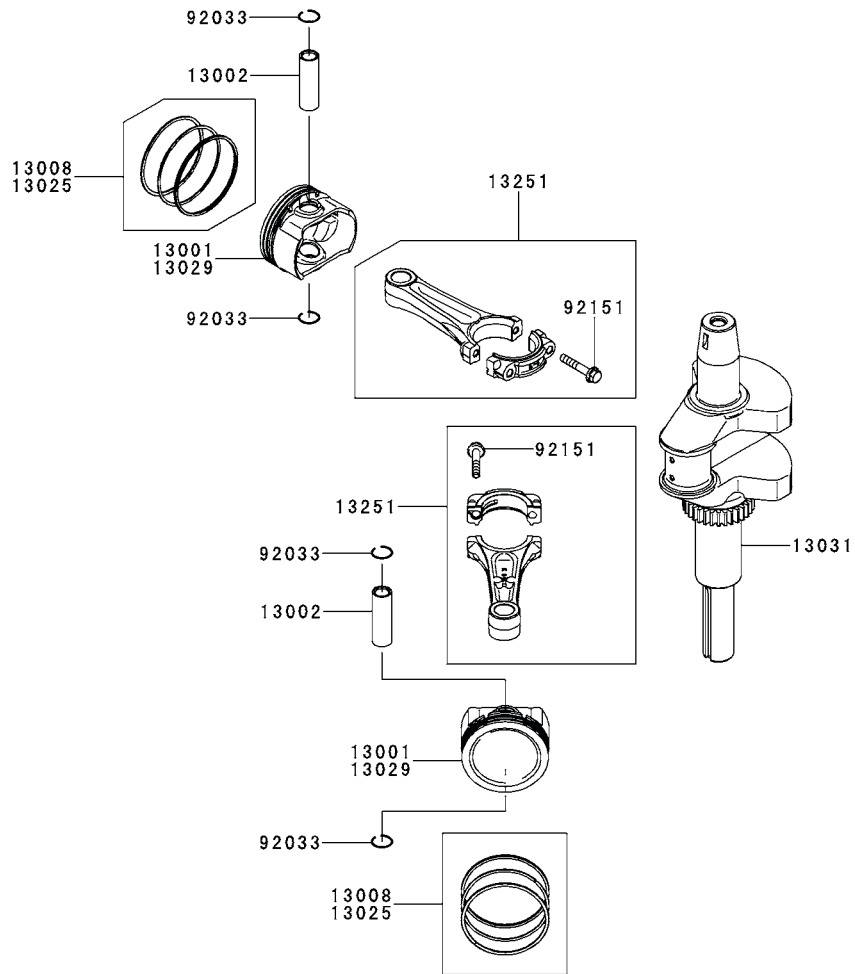
E0110-A716A



Kawasaki FR600V-AS06 Cylinder/Crankcase

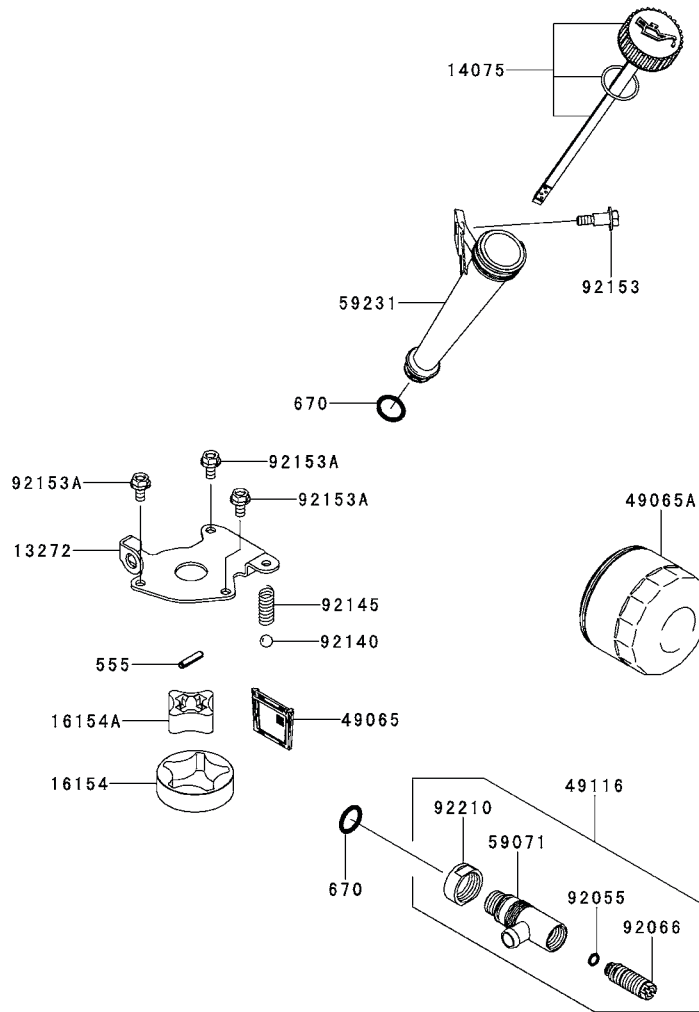
Ref.	Part Number	Description
11004	KM-11004-7027	Head Gasket
11008	KM-11008-7050	Complete Cylinder Head, #1
11008A	KM-11008-7051	Complete Cylinder Head, #2
11022	KM-11022-7034	Rocker Case, #1
11022A	KM-11022-7035	Rocker Case, #2
11061	KM-11061-7083	Rocker Case Gasket
11061A	KM-11061-7094	Breather Gasket
13272	KM-13272-7004	Breather Plate
14091	KM-14091-7064	Breather Cover
16126	KM-16126-7020	Breather Valve
27012	KM-27012-0721	Lift Hook
32154	KM-32154-7019	Pipe
32155	KM-32155-7003	Breather Pipe
49015	KM-49015-7110	Crankcase Cover
49120	KM-49120-7145	Complete Crankcase
59071	KM-59071-7025	Joint
92004	KM-92004-7024	Stud, 8 x 30
92043	KM-92043-1263	Pin
92049	KM-92049-7001	Oil Seal, RVC2, 6 X 11 X 10.2
92049A	KM-92049-7005	Oil Seal, So 8 X 14 X 5 HS
92049B	KM-92049-7010	Oil Seal, Sd 35 X 48 X 8 R HS
92049C	KM-92049-7028	Oil Seal, 38 X 62 X 8 MTCLV
92066	KM-92066-7023	Plug
92066A	KM-92066-7026	Plug
92153	KM-92153-7043	Bolt, 6 X 12
92153A	KM-92153-7054	Bolt, 8 X 50
130	KM-130CA0870	Flanged Bolt, 8 X 70
214	KM-214AA0408	Pan Screw +/-, 4 X 8
670	KM-670B2011	O-Ring, 11mm

Kawasaki FR600V-AS06 Piston/Crankshaft



Ref.	Part Number	Description
13001	KM-13001-7031	Engine Piston
13002	KM-13002-7001	Piston Pin
13008	KM-13008-7006	Piston Ring Set
13025	KM-13025-7010	Piston Ring Set L, 0.5
13029	KM-13029-7011	Engine Piston L, 0.5
13031	KM-13031-7097	Complete Crankshaft
13251	KM-13251-7021	Connecting Rod Assembly
92033	KM-92033-7002	Snap Ring
92151	KM-92151-7017	Bolt, 6 X 35

Kawasaki FR600V-AS06 Lubrication Equipment

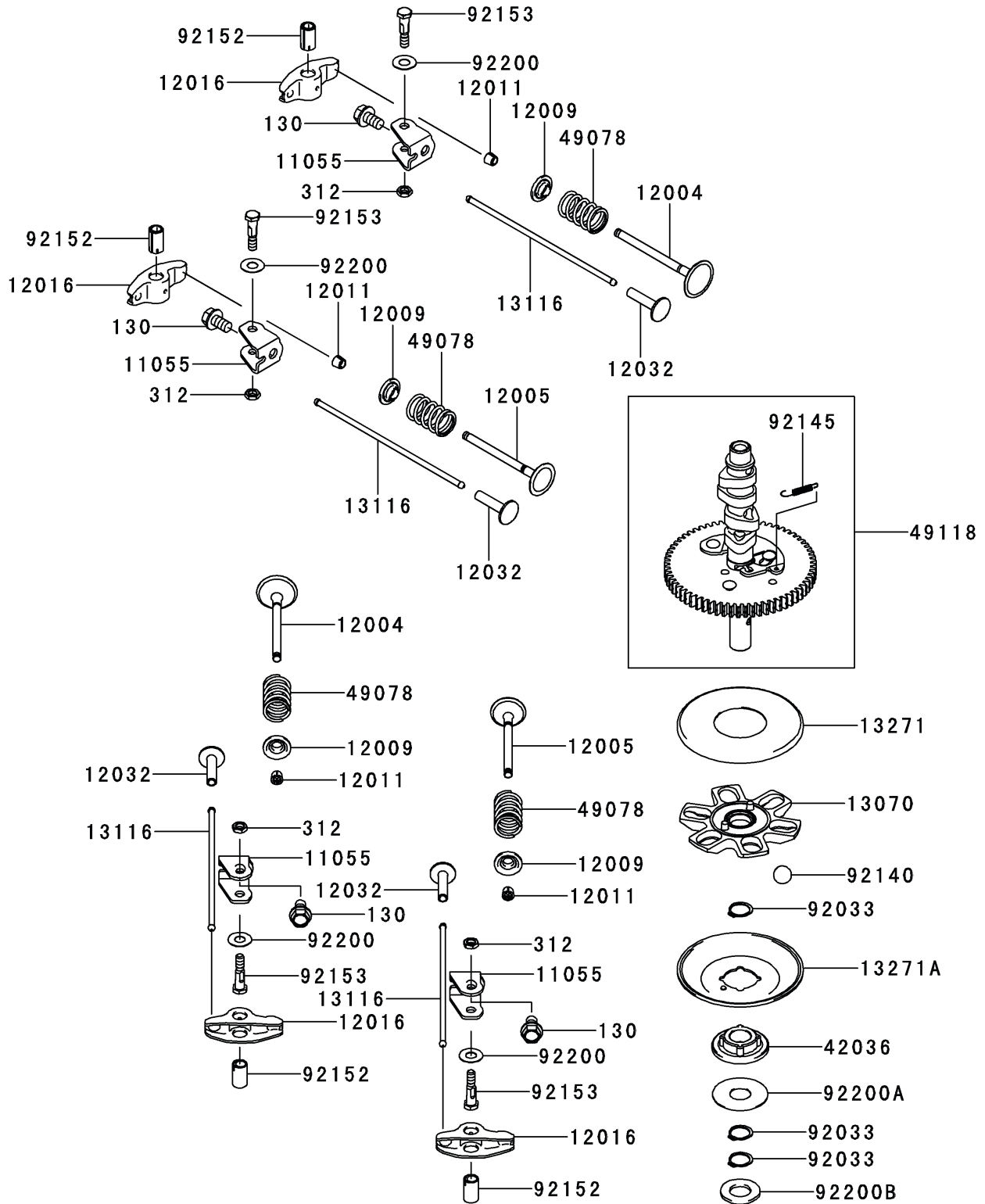


Ref.	Part Number	Description
13272	KM-13272-7011	Rotor Plate
14075	KM-14075-7013	Oil Gauge Cap Assembly
16154	KM-16154-7010	Outer Rotor Pump
16154A	KM-16154-7011	Inner Rotor Pump
49065	KM-49065-7006	Oil Filter
49065A	KM-49065-7007	Oil Filter
49116	KM-49116-7001	Valve Assembly
59071	KM-59071-7008	Joint
59231	KM-59231-7016	Filler

Ref.	Part Number	Description
92055	KM-92055-7002	O-Ring, 6mm
92066	KM-92066-7007	Plug
92140	KM-92140-7003	Ball
92145	KM-92145-7002	Spring
92153	KM-92153-7008	Bolt
92153A	KM-92153-7043	Bolt, 6 X 12
92210	KM-92210-7012	Nut, M22
555	KM-555A0420	Spring Pin, 4 X 20
670	KM-670D2016	O-Ring, 16mm

Kawasaki FR600V-AS06 Valve & Camshaft

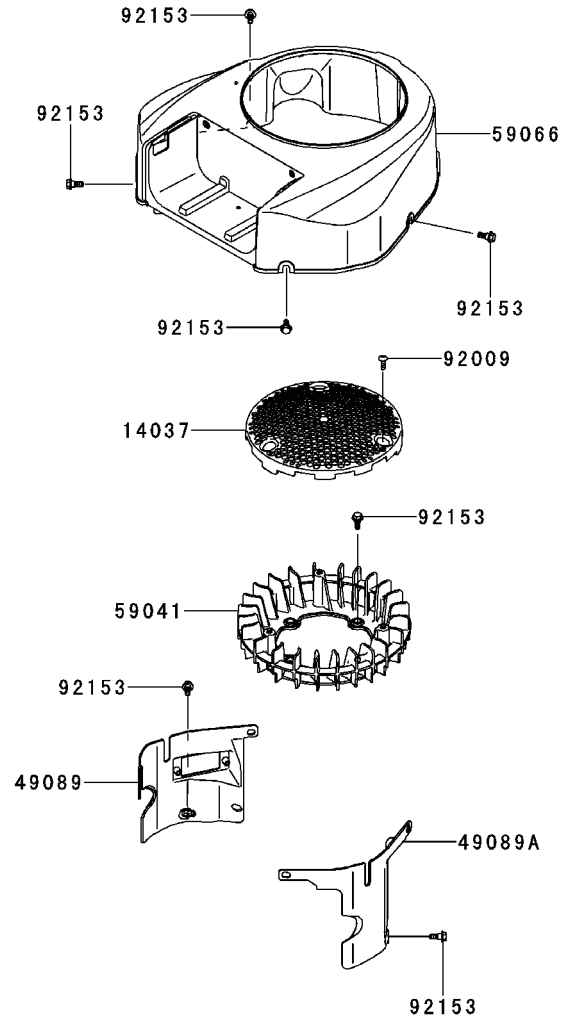
E0130-A197A



Kawasaki FR600V-AS06 Valve & Camshaft

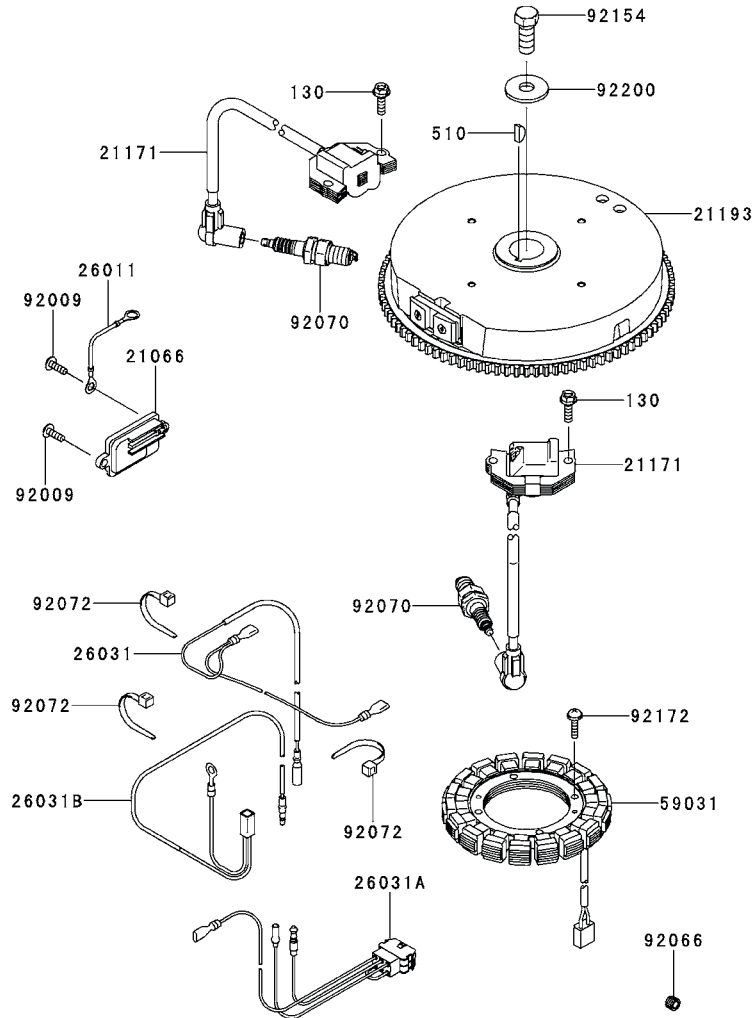
Ref.	Part Number	Description
11055	KM-11055-7009	Bracket
12004	KM-12004-7009	Intake Valve
12005	KM-12005-7010	Exhaust Valve
12009	KM-12009-7001	Valve Spring Retainer
12011	KM-12011-2056	Collet
12016	KM-12016-2066	Rocker Arm
12032	KM-12032-7001	Tappet
13070	KM-13070-7017	Governor Guide
13116	KM-13116-7008	Push Rod
13271	KM-13271-7007	Plate
13271A	KM-13271-7021	Governor Plate
42036	KM-42036-7021	Sleeve
49078	KM-49078-7002	Engine Valve Spring, IN
49118	KM-49118-7027	Complete Camshaft
92033	KM-92033-7001	Snap Ring
92140	KM-92140-7005	Ball
92145	KM-92145-7001	Spring
92152	KM-92152-7022	Collar
92153	KM-92153-7100	Bolt, 6 X 29.5
92200	KM-92200-2151	Washer, 8.1 X 18 X 0.5
92200A	KM-92200-7009	Washer, 16 X 42 X 0.91
92200B	KM-92200-7048	Washer, 16.3 X 30 X 2.28
130	KM-130AA0814	Flanged Bolt, 8 X 14
312	KM-312AA0600	Hex Nut, 6mm

Kawasaki FR600V-AS06 Cooling Equipment



Ref.	Part Number	Description
14037	KM-14037-7033	Screen
49089	KM-49089-7091	Engine Shroud
49089A	KM-49089-7092	Engine Shroud
59041	KM-59041-7020	Fan
59066	KM-59066-7067	Fan Housing
92009	KM-92009-2303	Screw
92153	KM-92153-7007	Bolt

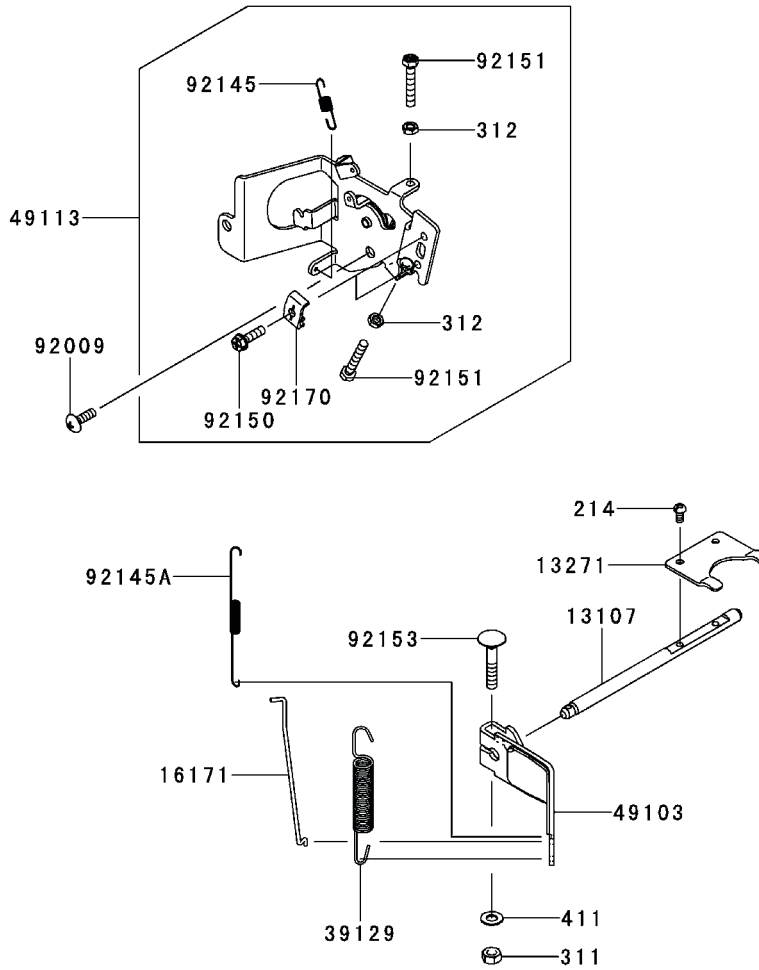
Kawasaki FR600V-AS06 Electric Equipment



Ref.	Part Number	Description
21066	KM-21066-7017	Voltage Regulator
21171	KM-21171-7047	Ignition Coil Assembly
21193	KM-21193-7061	Flywheel Assembly
26011	KM-26011-7025	Lead Wire, L = 95
26031	KM-26031-7040	Harness
26031A	KM-26031-7044	Harness
26031B	KM-26031-7047	Harness
59031	KM-59031-7017	Charging Coil
92009	KM-92009-2303	Screw

Ref.	Part Number	Description
92066	KM-92066-7026	Plug
92070	KM-BPR4ES	Spark Plug, BPR4ES (NGK)
92072	KM-92072-7003	Band
92154	KM-92154-7003	Bolt, 12 X 30
92172	KM-92172-7018	Screw, 5 X 20
92200	KM-92200-7002	Washer
130	KM-130AA0620	Flanged Bolt, 6 X 20
510	KM-510A5100	Woodruff Key

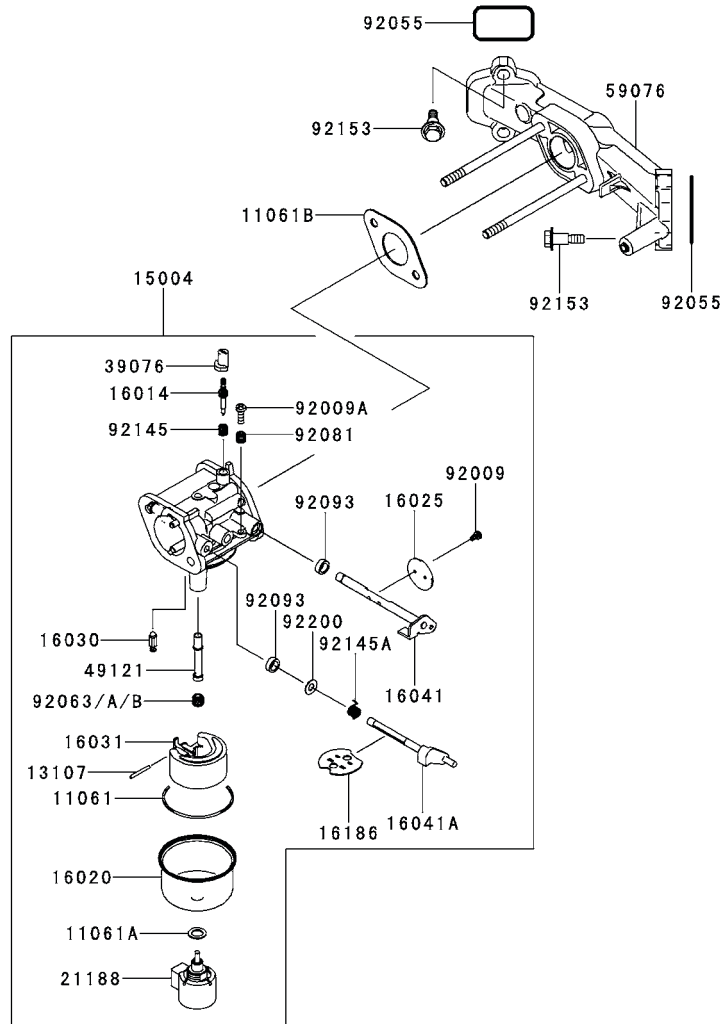
Kawasaki FR600V-AS06 Control Equipment



Ref.	Part Number	Description
13107	KM-13107-7049	Shaft
13271	KM-13271-7038	Plate
16171	KM-16171-7025	Link
39129	KM-39129-7033	Governor Spring
49103	KM-49103-7017	Governor Arm
49113	KM-49113-0716	Complete Control Panel
92009	KM-92009-2303	Screw
92145	KM-92145-7032	Spring
92145A	KM-92145-7057	Spring

Ref.	Part Number	Description
92150	KM-92150-2182	Bolt, 5 X 18
92151	KM-92151-7014	Bolt, 5 x 30
92153	KM-92153-7033	Bolt, 6 X 35
92170	KM-92170-7001	Clamp
214	KM-214AA0408	Pan Screw +-, 4 X 8
311	KM-311AA0600	Hex Nut, 6mm
312	KM-312AA0500	Hex Nut, 5mm
411	KM-411AA0600	Plain Washer, 6mm

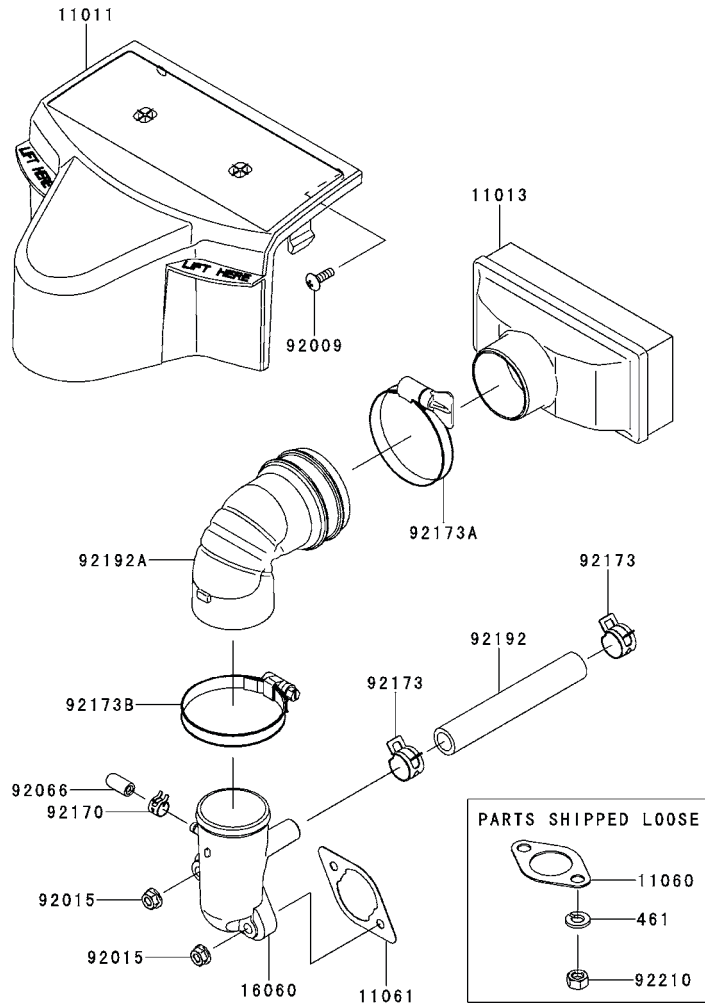
Kawasaki FR600V-AS06 Carburetor



Ref.	Part Number	Description
11061	KM-11061-7009	Chamber Gasket
11061A	KM-11061-7010	Screw Gasket
11061B	KM-11061-7103	Gasket
13107	KM-13107-7018	Shaft
15004	KM-15004-7053	Carburetor Assembly
16014	KM-16014-7011	Pilot Air Screw
16020	KM-16020-7003	Float Chamber
16025	KM-16025-7006	Throttle Valve
16030	KM-16030-7003	Float Valve
16031	KM-16031-7002	Float
16041	KM-16041-7018	Throttle Carburetor Shaft
16041A	KM-16041-7049	Choke Carburetor Shaft
16186	KM-16186-7001	Choke Valve Assembly
21188	KM-21188-7002	Solenoid
39076	KM-39076-7001	Limiter

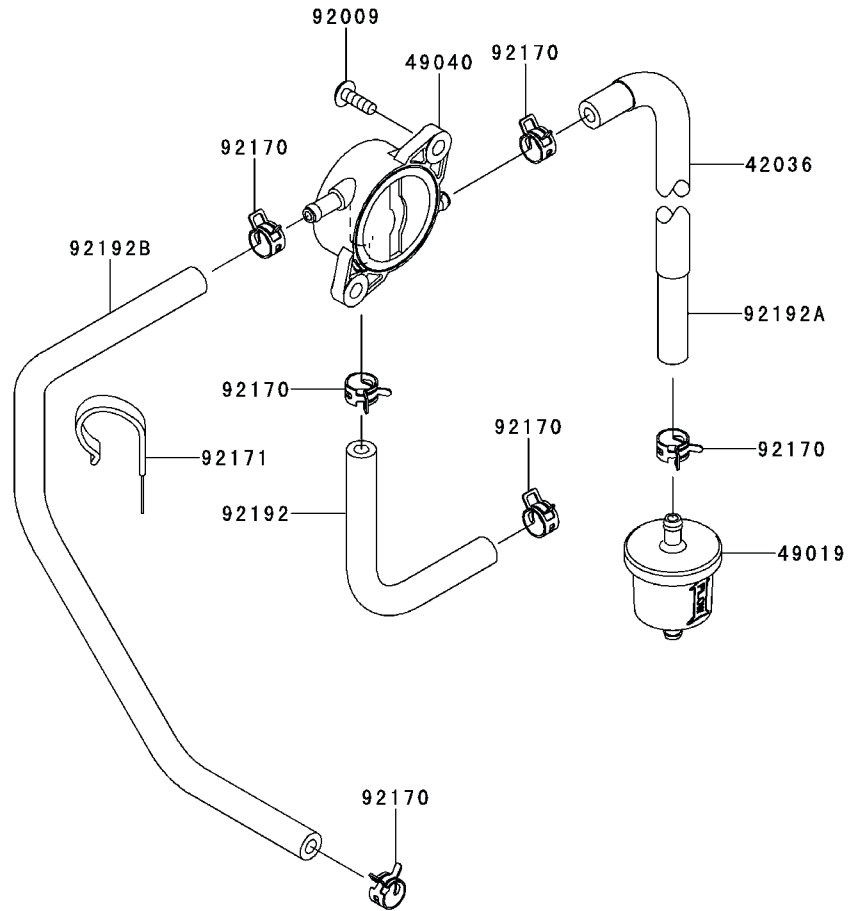
Ref.	Part Number	Description
49121	KM-49121-7019	Main Nozzle
59076	KM-59076-7026	Intake Manifold
92009	KM-92009-2083	Screw
92009A	KM-92009-2349	Screw
92055	KM-92055-7026	O-Ring, 42mm
92063	KM-92063-7046	Main Jet, #100
92063A	KM-92063-7047	Main Jet, #098
92063B	KM-92063-7156	Main Jet, #102
92081	KM-92081-2234	Spring
92093	KM-92093-2100	Seal
92145	KM-92145-7015	Spring
92145A	KM-92145-7061	Spring
92153	KM-92153-7008	Bolt
92200	KM-92200-2061	Washer, 9.8 x 5.5 x 1.0

Kawasaki FR600V-AS06 Air Filter/Muffler



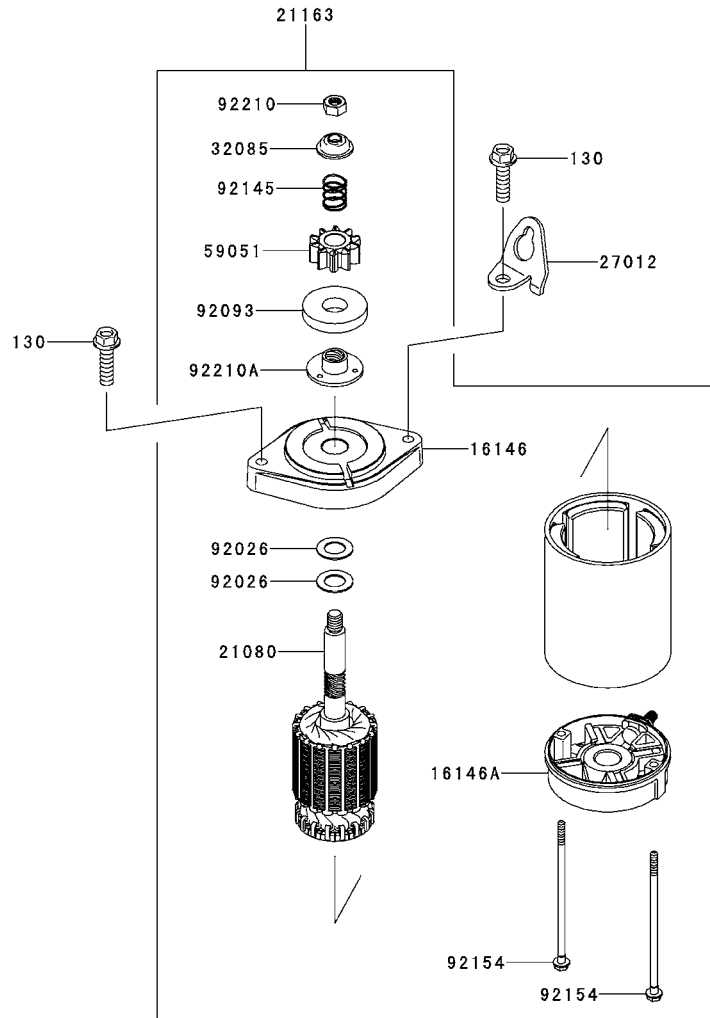
Ref.	Part Number	Description
11011	KM-11011-8001	Air Filter Case
11013	KM-11013-7050	Air Filter Element
11060	KM-11060-7016	Muffler Gasket
11061	KM-11061-7095	Air Cleaner Gasket
16060	KM-16060-7039	Intake Pipe
92009	KM-92009-2303	Screw
92015	KM-92015-1367	Nut
92066	KM-92066-0095	Plug
92170	KM-92170-2042	Clamp
92173	KM-92173-7003	Clamp
92173A	KM-92173-7007	Clamp
92173B	KM-92173-7009	Clamp
92192	KM-92192-7146	Tube, 12.6 X 18.6 X 118
92192A	KM-92192-7164	Air Filter Tube
92210	KM-92210-7027	Nut, M8
461	KM-461DA0800	Washer-Spring Washer, 8mm

Kawasaki FR600V-AS06 Fuel Tank/Fuel Valve



Ref.	Part Number	Description
42036	KM-42036-7015	Sleeve
49019	KM-49019-7005	Fuel Filter
49040	KM-49040-7008	Fuel Pump
92009	KM-92009-2303	Screw
92170	KM-92170-2009	Clamp
92171	KM-92171-7005	Clamp
92192	KM-92192-7148	Tube, 6.4 X 12.7 X 150
92192A	KM-92192-7172	Tube, 6.35 X 12.7 X 185
92192B	KM-92192-7184	Tube, 6.35 X 12.7 X 360

Kawasaki FR600V-AS06 Starter



Ref.	Part Number	Description
16146	KM-16146-0707	Cover Assembly
16146A	KM-16146-0708	Cover Assembly
21080	KM-21080-0002	Armature
21163	KM-21163-7036	Electric Starter
27012	KM-27012-7008	Hook
32085	KM-32085-0708	Stopper
59051	KM-59051-0719	Gear-Spur
92026	KM-92026-0720	Spacer
92093	KM-92093-0576	Seal
92145	KM-92145-0851	Spring
92154	KM-92154-0804	Bolt
92210	KM-92210-0741	Nut
92210A	KM-92210-0742	Nut
130	KM-130AA0830	Flanged Bolt, 8 X 30

56070



Ref.	Part Number	Description
56070	KM-56070-7001	Warning Label



To order replacement parts, call a Customer Support Representative at (800) 965-4CUB.
Locate your nearest Cub Cadet dealer at (877) 282-8684
or visit www.cubcadet.com to find the nearest Cub Cadet dealer in your area.

CUB CADET LLC, P.O. BOX 361131 CLEVELAND, OHIO 44136-0019
