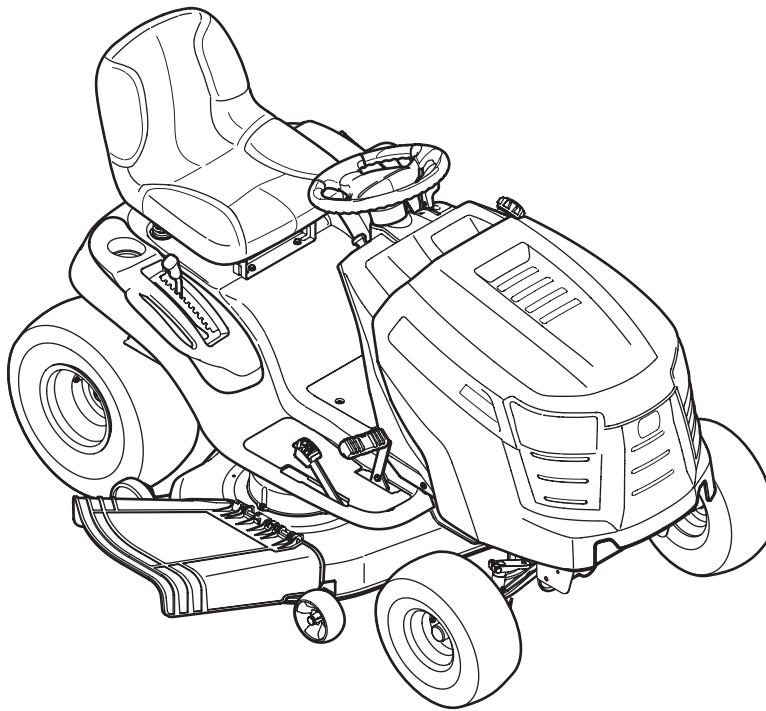

Cub Cadet[®]

ILLUSTRATED PARTS MANUAL



Hydrostatic Lawn Tractor — LTX1046M

CUB CADET LLC, P.O. BOX 361131 CLEVELAND, OHIO 44136-0019

To The Owner

Thank you for purchasing an Cub Cadet Lawn Tractor. It was carefully engineered to provide excellent performance when properly operated and maintained.

All information in this manual is relative to the most recent product information available at the time of printing. Please be aware that this Illustrated Part's Manual may cover a range of product specifications for various models.

Components listed and/or illustrated in this manual may not be applicable to all models. We reserve the right to change product specifications, designs and equipment without notice and without incurring obligation.

Throughout this manual, all references to *right* (RH) and *left* (LH) are observed from the operating position.

Table of Contents

Axle, Front	4	Deck Lift Handle/Linkage	8
Battery	6	Labels	21
Head Lamps	10	Meter, Systems Indicator	10
Mower Deck, 46-inch	14	Muffler	21
Pedal Controls	12	PTO	6
Dash Panel	10	Seat	8
Drive System	12	Solenoid	6
Electrical Schematic	22	Steering	4
Engine Accessories	21	Switches, Interlock	6
Engine, Kohler SV715	23-36	Throttle Control	10
Fender	8	Transmission, Hydrostatic	18
Frame	6	Wheels, Front & Rear	3
Fuel Tank	10		
Hood	10		

Record Product Information

To ease in ordering replacement parts, please locate the model plate on the equipment and record the information in the provided area to the right. You can locate the model plate by looking beneath the seat.

MODEL NUMBER

--	--	--	--	--	--	--	--	--	--	--

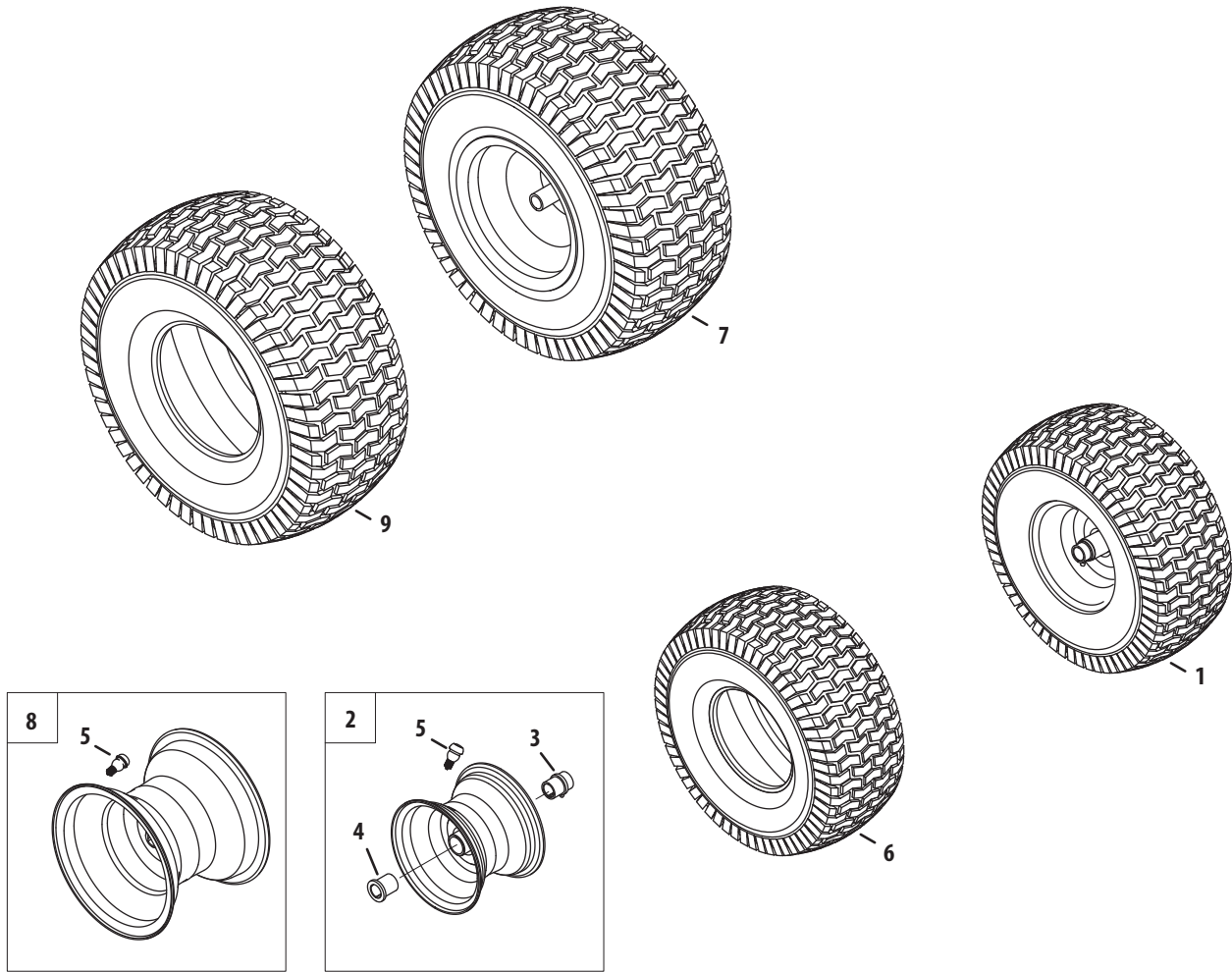
SERIAL NUMBER

--	--	--	--	--	--	--	--	--	--	--

Painted Parts

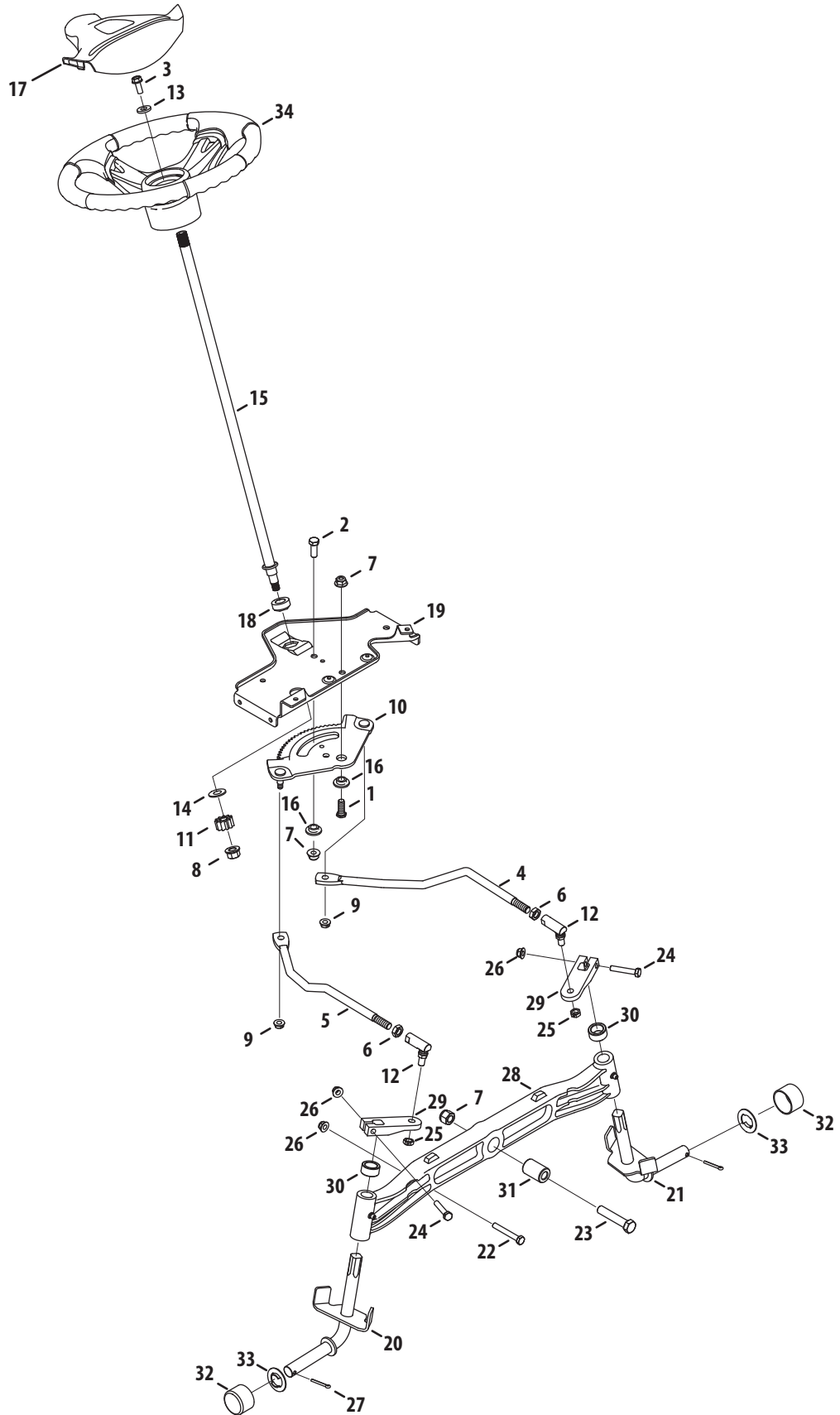
When ordering painted service parts, a four digit color suffix must be added to the part number (e.g. 783-XXXXX-0637). Please refer to the table below for current color codes:

0637	Black	0685	Blue (Cub Cadet)
4021	Yellow (Cub Cadet)	0691	Black Jack (Cub Cadet Commercial)
0499	Beige (Cub Cadet)		



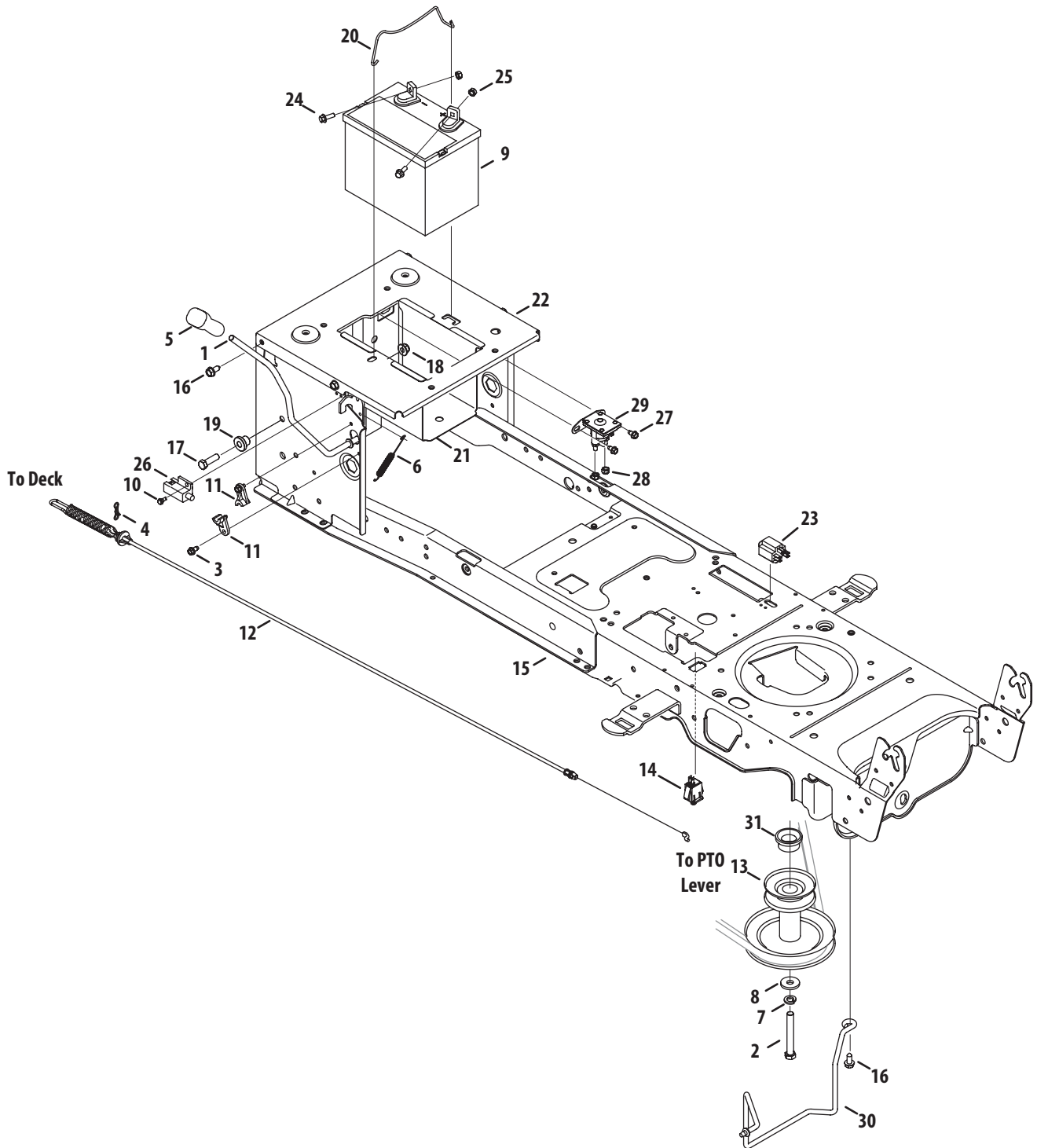
Ref.	Part Number	Description
1.	634-04406-0931	Wheel Ass'y, Complete, 15 x 6 x 6
2.	634-04405-0499	Rim Ass'y, 6.0 x 4.5, Plastic Bearings
3.	741-0990B	Bearing, Flange, .760 ID w/ Fitting
4.	741-0516B	Bearing, Flange, .760 x 1.00 x 1.20
5.	934-0255	Valve, Tubeless Air
6.	734-1731-0901	Tire, 15 x 6 x 6 Sq Shoulder
7.	634-0104-0931	Wheel, Complete, 20 x 8 x 8
8.	634-04369-0499	Rim Ass'y, 8.0 x 7.0 x .750 ID
9.	734-1730-0901	Tire, 20 x 8 x 8 Sq Shoulder

Steering



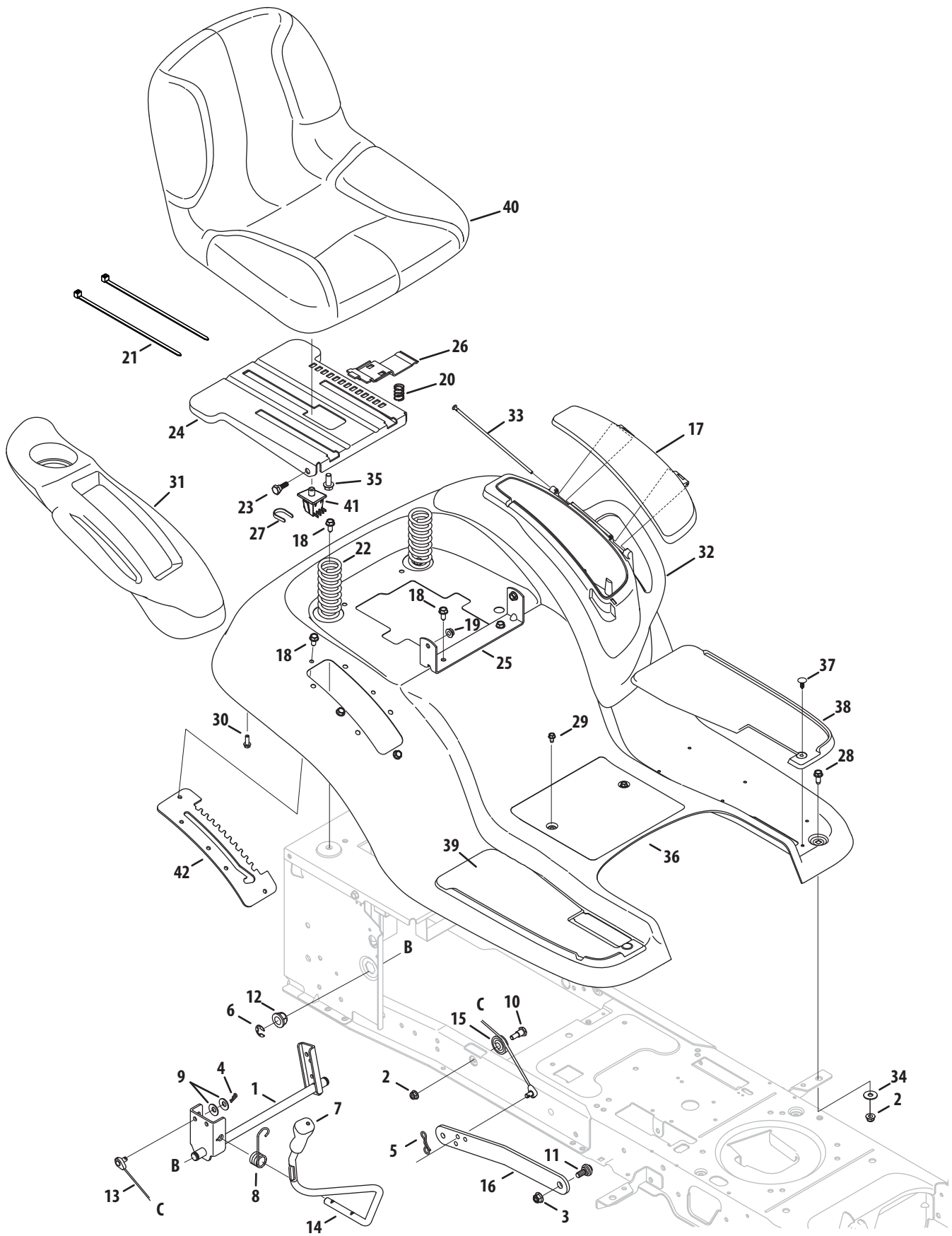
Ref.	Part Number	Description
1.	710-04095	Hex Screw, 3/8-16, 1.00, Gr5, Spec
2.	710-0514	Hex Screw, 3/8-16, 1.00, Gr5, Std
3.	710-0650	Hex Screw, 5/16-18, .875, Gr5, Lock
4.	711-04998	Link, Drag LH
5.	711-04999	Link, Drag RH
6.	912-0240	Nut, Jam, 7/16-20, Gr2
7.	712-04065	Nut, Flange Lock, 3/8-16, Grf,
8.	712-0459	Nut, Flange Lock, 7/16-20, Grb, Lock
9.	712-3004A	Nut, Flange Lock, 5/16-18, Gr5, Sd Lk
10.	717-1550F	Gear, Steering, 11/90 Ratio
11.	717-1554	Gear, Pinion, Steering
12.	923-0448A	Ball Joint, 7/16-20, Lock
13.	936-3004	Washer, Flat, .406 x .875 x .105
14.	736-3084	Washer, Flat, .51 x 1.12 x .06
15.	738-04262	Shaft, Steering, .625 OD x 25, Cub
16.	738-04363	Spacer, Shoulder, .385x 1.25 x .3025
17.	731-04532B	Cover, Steering Wheel, Cub Cadet
18.	741-04237B	Bearing, Flange, Hex 5/8 Pm
19.	783-06043	Bracket, Support, Steering
20.	638-04022	Axle Ass'y, RH .750 Dia.
21.	638-04028	Axle Ass'y, LH .750 Dia.
22.	710-0395	Hex Screw, 5/16-18, 2.25, Gr5, Std
23.	710-0859	Hex Screw, 3/8-16, 2.50, Gr5, Std
24.	710-3180	Hex Screw, 5/16-18, 1.75, Gr5, Std
25.	912-0214	Nut, Hex Lock, 3/8-24, Grb
26.	712-04063	Nut, Flange Lock, 5/16-18, Grf
27.	714-0162	Pin, Cotter, 5/32, 1.25
28.	719-04413A	Axle, Pivot Bar, Cast
29.	748-04065	Steering, Block
30.	748-04068	Spacer, .71 ID x .125 OD x .56
31.	750-05280	Spacer, .385 x 1.00 x 1.5075
32.	731-05674	Cap, Bumper
33.	736-04228A	Washer, Flat, .350 x 1.559 x .062
34.	631-04008A	Wheel, Steering, 3 Spoke, Softgrip

Frame, Electrical and PTO



Ref.	Part Number	Description
1.	647-04151	Handle Ass'y, PTO
2.	710-04876	Hex Screw, 7/16-20, 3.50, Gr5
3.	710-0599	Screw, Self-tapping, 1/4-20, 0.50
4.	714-04040	Pin, Cotter, Bow-Tie 72
5.	720-04140A	Grip, Handle, Cub
6.	732-0932	Spring, Ext, .38 Dia x 5.6
7.	936-0171	Washer, Lock, 7/16, Regular Duty
8.	736-0322	Washer, Flat, .450 x 1.250 x .164
9.	925-1707D	Battery
10.	738-04237A	Screw, Shoulder, #10-32, .500
11.	741-04119A	Bearing, PTO
12.	946-04618A	Cable, Engag, Deck
13.	956-04067A	Pulley, Engine, 3.56 x 6.12 Dia.
14.	725-04807	Switch, Plunger, Snap Mount
15.	683-04469B	Frame Ass'y, Lower
16.	710-04484	Screw, Self-tapping, 5/16-18, .750,
17.	710-3005	Hex Screw, 3/8-16, 1.25, Gr5, Std
18.	712-04065	Nut, Flange Lock, 3/8-16, Grf,
19.	738-04058	Spacer, Shoulder, .38 x 1.0 x .70
20.	747-04121A	Rod, Battery
21.	783-0349	Tray, Battery
22.	783-06089	Bracket, Frame, Seat
23.	725-04232	Switch, 3-Pole
24.	710-04666	Hex Flange Screw, 1/4-20, .75, Gr5
25.	712-0271	Nut, Sems, 1/4-20
26.	725-04363	Switch, Interlock
27.	710-0653	Screw, Self-tapping, 1/4-20, 0.375,
28.	712-04064	Nut, Flange Lock, 1/4-20, Grf,
29.	725-04439	Solenoid, 12V, 100 Amp, 4 term
30.	747-05171A	Rod, Keeper
31.	750-0956	Spacer, 1.010 x 1.40 x .825
—	925-04094	Wire Harness, Main

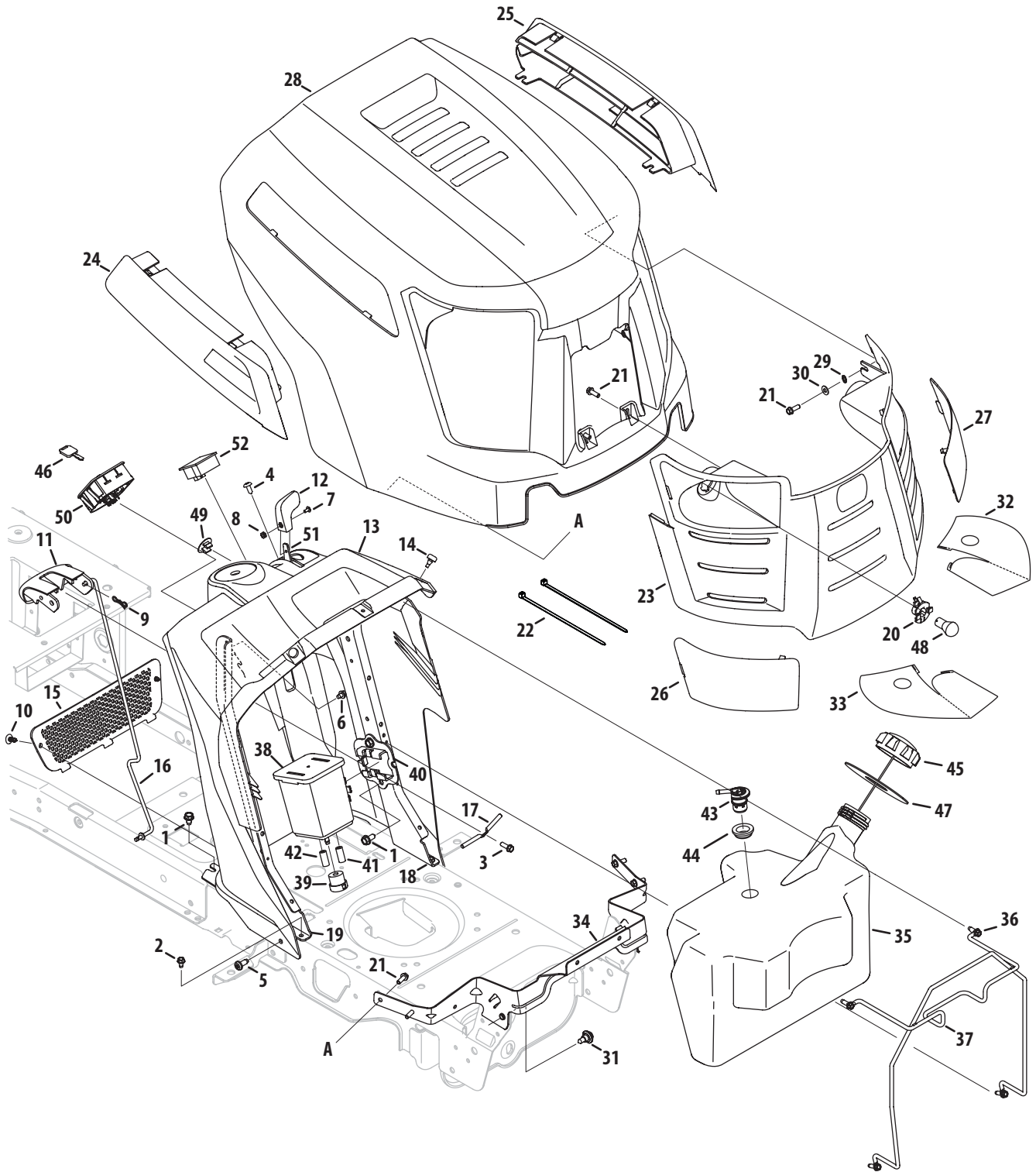
Seat, Fender and Lift



Seat, Fender and Lift

Ref.	Part Number	Description	Ref.	Part Number	Description
1.	683-04223	Shaft Ass'y, Lift	22.	732-04849	Spring, Compr, 1.50 x 3.90 x .200
2.	712-04063	Nut, Flange Lock, 5/16-18, Grf	23.	938-0296	Screw, Shoulder, .437 x .268, 5/16-18
3.	712-04065	Nut, Flange Lock, 3/8-16, Grf	24.	783-06049	Bracket, Mounting, Seat
4.	914-0104	Pin, Cotter, .072 Dia. x 1.13	25.	783-06088	Bracket, Pivot, Seat
5.	714-04040	Pin, Cotter, Bow-Tie 72	26.	783-06050	Lever, Seat Adjustment
6.	716-0106A	Ring, E Type, .625 Dia. Shaft	27.	783-06448	Clip, Retaining, Switch
7.	720-04139A	Grip, Handle, Cub, .50 ID	28.	710-1260A	Hex Screw, 5/16-18, .75, Gr5, Std
8.	732-0874	Spring, Torsion	29.	710-0599	Screw, Self-tapping, 1/4-20, 0.500,
9.	736-0105	Washer, Spring, .401 x .870 x .063	30.	710-0895	Screw, HL, 1/4-15, 0.750,
10.	738-0138A	Screw, Shoulder, .437 x .470, 5/16-18	31.	731-06700	Cover, Fender, RH
11.	938-0380	Bolt, Shoulder, .50, 3/8-16	32.	731-06676	Cover, Fender, LH
12.	941-0225	Bearing, Hex Flange	33.	747-05039	Pin, Door
13.	746-0968	Cable, Lift, 16.16	34.	736-3078	Washer, Flat .344 x 1.00 x .063
14.	747-04962A	Handle, Lift,	35.	710-04482	Hex Flange Screw, 3/8/16, .875, Gr5
15.	756-04331	Pulley, Roller, Cable	36.	783-06118	Fender, Cub Hydro
16.	783-05546A	Link, Lift	37.	726-3046	Clip, Ratchet, .250 Dia
17.	731-06584	Door, Cover, Fender	38.	735-04137	Pad, Foot, LH
18.	710-04484	Screw, Self-tapping, 5/16-18, .750,	39.	735-04139	Pad, Foot, RH
19.	712-3004A	Nut, Flange Lock, 5/16-18, Gr5, Sd Lk	40.	757-04131	Seat, High Back Cloth, Cub
20.	732-04563	Spring, Compr', .68 x 1.065 x .055	41.	925-05013	Switch, Seat
21.	725-0157	Cable, Tie, 3/16 x .05 x 7.4	42.	783-06039	Bracket, Lift

Fuel Tank, Hood and Dash

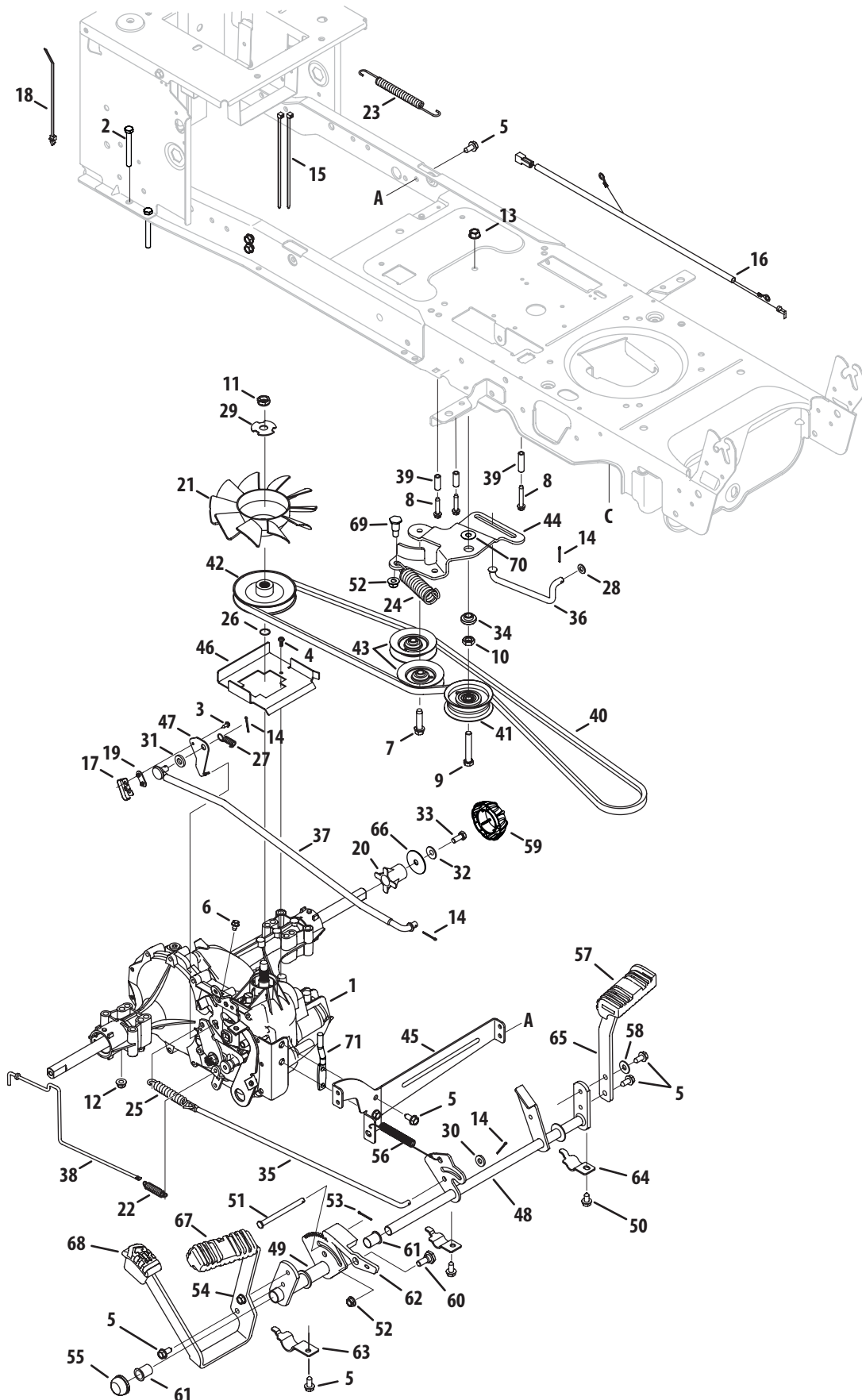


Fuel Tank, Hood and Dash

Ref.	Part Number	Description	Ref.	Part Number	Description
1.	710-04484	Screw, Self-tapping, 5/16-18, .750	29.	936-0222	Washer, Lock, 1/4, External
2.	710-0599	Screw, Self-tapping, 1/4-20, 0.500	30.	936-3020	Washer, Flat, .271, .630, .065
3.	710-0895	Screw, HL, 1/4-15, 0.750	31.	738-04091A	Screw, Shoulder, .43x.29, 5/16-18
4.	710-1017	Screw, Ab, 1/4-14, 0.625,	32.	777X44055	Reflector, Cub A Style, LH
5.	710-1611B	Screw, Self-tapping, 5/16-18, 0.750,	33.	777X44056	Reflector, Cub A Style, RH
6.	710-1652	Screw, Self-tapping, 1/4-20 x .625	34.	783-06114	Bracket, Pivot, Hood A-Style
7.	710-3217	Screw, Mach, #8-32, 0.375	35.	751-10879B	Tank, Fuel, 3.75 Gal.
8.	712-0142	Nut, Hex, #8-32		751-10906A	Tank, Fuel, 3.30 Gal. (CA)
9.	714-04040	Pin, Cotter, Bow-Tie 72	36.	710-1652	Screw, Self-tapping, 1/4-20, .625
10.	726-3046	Clip, Ratchet, .250 Dia		710-0642	Screw, Self-tapping, 1/4-20, .75 (CA)
11.	731-05447A	Lever, Dash, Cruise/Brake	37.	747-05040A	Rod, Support, Fuel Tank
12.	731-06593	Knob, Throttle	38.	951-10589	Canister, Carbon, 5 Gallon (CA)
13.	931-06666	Dash Panel, A-Style, Man PTO	39.	951-10590	Filter, Vent, Canister (CA)
14.	735-0271A	Bumper, .62 Dia X .3	40.	951-10610	Bracket, Adapter, Canister (CA)
15.	735-04076	Net	41.	751-10749-14	Hose, Fuel, Low Perm, 3/16 Wht (CA)
16.	747-05009B	Rod, Control, Latch Cub	42.	751-10750-28	Hose, Fuel, Low Perm, 7/32 Yel (CA)
17.	747-1196	Rod, Lever, Bent	43.	751-12118	Valve, Rollover Grommet (CA)
18.	783-06098	Support, Dash, Plate LH	44.	735-04081	Grommet, Rubber, 23.0 ID (CA)
19.	783-06099	Support, Dash, Plate RH	45.	751-0603A	Cap, Fuel
20.	925-1649	Socket, Lamp		951-10947	Cap, Fuel (CA)
21.	710-05108	Screw, 1/4 Dia, .750		951-12179	Cap, Fuel *
22.	926-0154	Tie, Cable, Push Mount 7.5 Lg	46.	925-2054A	Key, Ignition
23.	931-04322	Grille Ass'y (Incl. 26, 27, 32 & 33)	47.	735-04170	Gasket, Fuel Tank
24.	931-06542A	Scoop, Hood, RH A-Style	48.	925-0963	Lamp, 12v
25.	931-06543A	Scoop, Hood, LH A-Style	49.	731-1999	Plug, Choke
26.	931-06558	Lens, Hood, RH A-Style	50.	925-04227B	Module Switch, Ignition
27.	931-06559	Lens, Hood, LH A-Style	51.	946-04556	Cable, Throttle/Choke, 38"
28.	931-06634	Hood, A-Style	52.	925-04022B	Meter, Indicator

* Models built after Jan. 1, 2011.

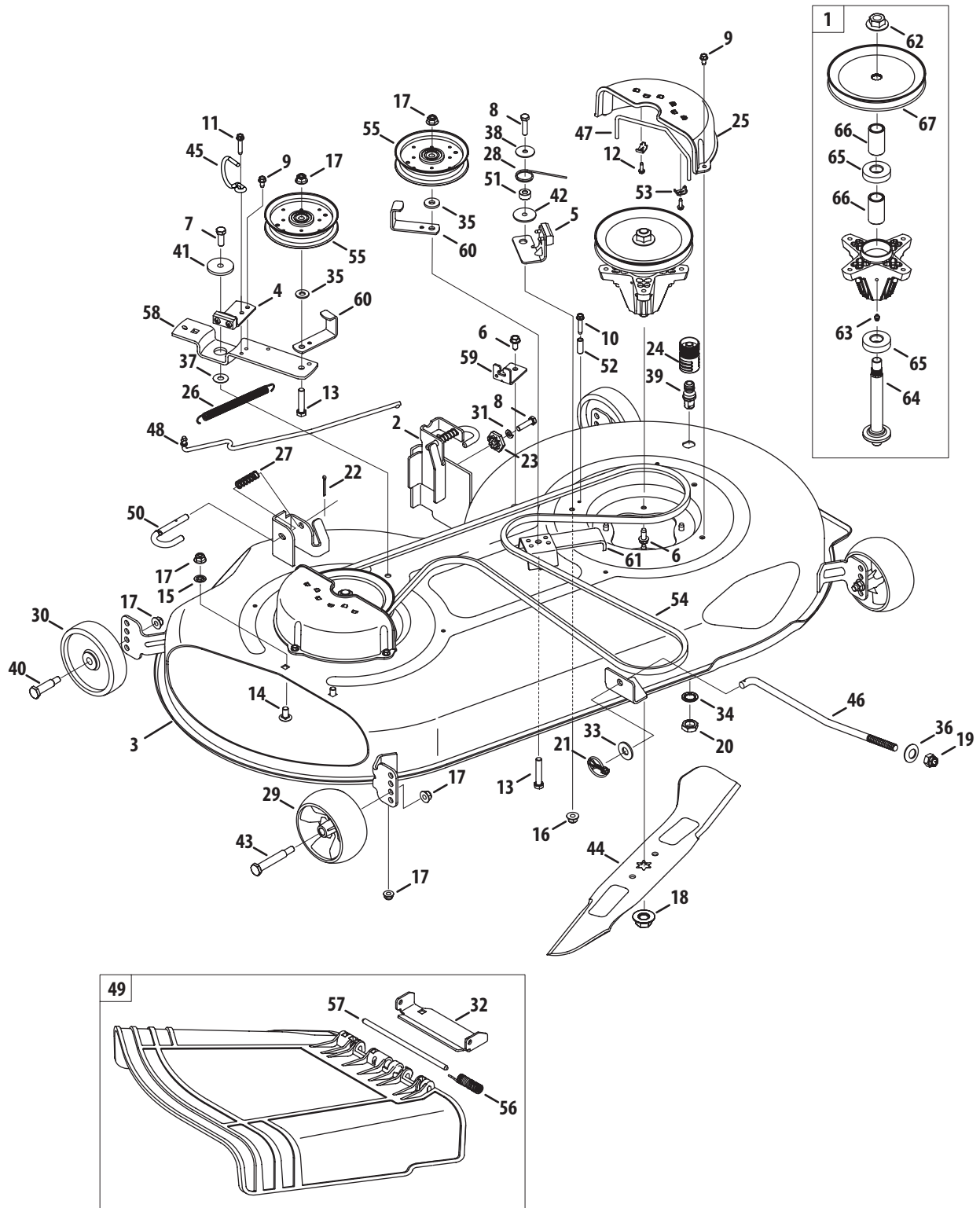
Drive System



Ref.	Part Number	Description
1.	918-0319	Transmission, Hydro-Gear 0510
2.	710-0176	Hex Screw, 5/16-18, 2.75, Gr5, Std
3.	710-0227	Screw, #8-18, 0.500,
4.	710-0351	Screw, #10-16, 0.500
5.	710-04484	Screw, Self-tapping, 5/16-18, .750
6.	710-0653	Screw, Self-tapping, 1/4-20, 0.375
7.	710-1007	Screw, Self-tapping, 3/8-16, 1.500
8.	710-1325	Screw, Self-tapping, 1/4-20, 1.625
9.	710-3011	Hex Screw, 3/8-16, 2.25, Gr5
10.	912-0240	Nut, Jam, 7/16-20, Gr2
11.	912-0346	Nut, Jam Lock, 1/2-20, Gr5, Nylon
12.	712-04063	Nut, Flange Lock, 5/16-18, Nylon
13.	912-0431	Nut, Flange Lock, 3/8-16
14.	914-0111	Pin, Cotter, 3/32, 1.0
15.	725-0157	Cable, Tie, 3/16 x .05 x 7.4
16.	725-04791A	Jumper Harness, Ground & Reverse
17.	725-1644	Switch, Spring, Short
18.	926-0154	Tie, Cable, Push Mount 7.5
19.	926-0320	Plate, Insulator Nut
20.	731-05299A	Sleeve, .765 Id x 1.500
21.	731-06098	Fan, Hydro
22.	932-0209	Spring, Extension, .48 Od x 2.03
23.	732-04606	Spring, Extension, .500 Dia x 12.6
24.	732-04792	Spring, Extension, 1.00 Dia x 4.75
25.	732-0716D	Spring, Extension, .59 Od x 4.00
26.	732-0729	Ring, Wire
27.	732-3118	Spring, Extension, .375 Od x 1.44
28.	936-0264	Washer, Flat, .330 x .630 x .0635
29.	736-04263	Washer, Lock, Transmission Hydro
30.	936-3008	Washer, Flat, .344 x .750 x .120
31.	736-3010	Washer, Flat, .407x.812x.135, Ht
32.	736-0242	Washer, Bell, .340 x .872 x .060
33.	710-0627	Hex Screw, 5/16-24, .750, Gr5, Lock
34.	738-04420	Spacer, Shoulder, 1.375 x .380 x .183
35.	747-04139	Rod, Brake, LT Hydro
36.	747-04957A	Rod, Transmission, Bypass

Ref.	Part Number	Description
37.	747-04979	Rod, Control, Hydro
38.	747-04991	Rod, Hydro Bypass
39.	750-04456	Spacer, .260 x .372 x 1.420
40.	954-04207	Belt, V-Type
41.	756-04224	Pulley, Idler, Flat 2.75 OD
42.	756-04308	Pulley, Input, 4.13 Dia
43.	756-04325	Pulley, Idler, V-Type x 3.06
44.	783-06027A	Bracket, Idler, Center Double
45.	783-06133	Bracket, Mount, Hydro
46.	783-06260	Bracket, Support, Belt Disengage
47.	783-1019B	Bracket, Actuator, Switch
48.	647-04152B	Control Assembly, Brake
49.	683-04537	Bracket Assembly, Pedal, Hydro
50.	710-0604A	Screw, Self-tapping, 5/16-18, 0.625,
51.	711-05068	Pin, Clevis, 5/16 x 3.985
52.	712-04065	Nut, Flange Lock, 3/8-16, Nylon
53.	714-04040	Pin, Cotter, Bow-Tie 72
54.	783-06059	Bracket, Pedal, Hydro
55.	726-0214	Cap, Push 5/8
56.	732-04587	Spring, Extension, .63 Dia x 4.95
57.	735-04136	Pad, Pedal, Brake
58.	736-0242	Washer, Bell, .340 x .872 x .060
59.	731-2290A	Cap, Hub
60.	938-0380	Bolt, Shoulder, .500 x .270, 3/8-16
61.	741-0495	Bearing, Flange, .630 x .695 x .60
62.	748-04203	Latch, Cruise
63.	783-05914	Bracket, Support, Pedal Strap
64.	783-05940	Bracket, Support, Pedal Strap 5/8
65.	783-06103A	Bracket, Pedal, Brake
66.	736-0430	Washer, Flat, .350 x 1.59 x .062
67.	735-04118A	Pad, Pedal, Forward
68.	735-04135	Pad, Pedal, Reverse
69.	738-0430	Scr, Shldr, .50 x .685 3/8-16
70.	936-0344	Washer, Flat, .385 x 1.0 x .030
71.	747-05444	Belt Keeper Rod

46-inch Deck

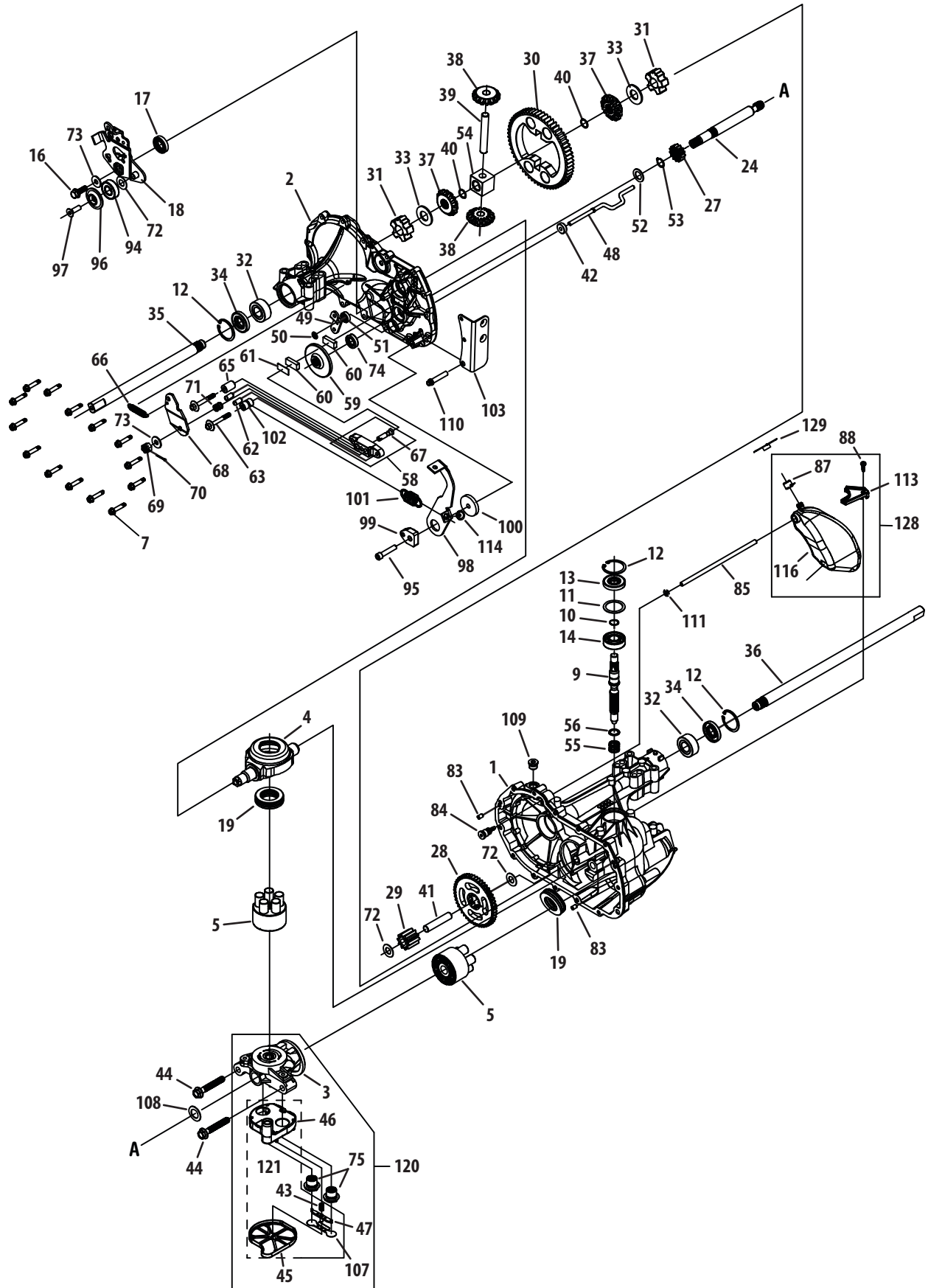


46-inch Deck

Ref.	Part Number	Description
1.	918-04865A	Spindle Assembly, Pul 6.93 Dia
2.	683-0254B	Bracket Assembly, Deck Hanger, LH
3.	983-04468A	Deck Assembly, Offset, 46"
4.	983-04511	Brake Assembly, Deck, 42/46
5.	983-04525	Brake Assembly, Deck, 46"
6.	710-04484	Screw, Self-tapping, 5/16-18, .750,
7.	710-0514	Hex Screw, 3/8-16, 1.00, Gr5, Std
8.	710-0528	Hex Screw, 5/16-18, 1.25, Gr5, Std
9.	710-0599	Screw, Self-tapping, 1/4-20, 0.500
10.	710-0778	Screw, Self-tapping, 1/4-20, 1.500
11.	710-0642	Screw, Self-tapping, 1/4-20, .750
12.	710-1003	Screw, B, #10-16, 0.625
13.	710-3144	Hex Screw, 3/8-16, 2.00, Gr5, Std
14.	710-3178	Bolt, Carriage, 3/8-16, 0.75, Gr1
15.	712-0229	Nut, Push, 3/8
16.	712-04063	Nut, Flange Lock, 5/16-18, Nylon
17.	712-04065	Nut, Flange Lock, 3/8-16, Nylon
18.	712-0417A	Nut, Flange, 5/8-18
19.	712-04243	Nut, Lock, 1/2-13
20.	912-0641	Nut, Hex, M16-1.5
21.	753-04070	Pin, Lynch, .1875
22.	914-0470	Pin, Cotter, 1/8 x 1.25
23.	917-04074	Gear, Deck Adjustment
24.	921-04041	Adapter, Water Port
25.	731-06496	Belt Cover, Universal
26.	932-0384	Spring, Extension, .62 x 6.12
27.	732-04652	Spring, Compression, .535 x 1.751
28.	732-04773	Spring, Torsion, .992 ID x 1.17 OD
29.	734-04155	Wheel, Deck, 5.0 Dia Ball
30.	734-0973	Wheel, Deck 5.0 x 1.38
31.	936-0119	Washer, Lock, 5/16, Regular Duty
32.	783-06074	Bracket, Chute, 46
33.	936-0179	Washer, Flat, .531 x 1.25 x .100
34.	736-0225	Washer, Lock, 5/8, Int Tooth

Ref.	Part Number	Description
35.	736-0262	Washer, Flat, .385 x .870 x .092
36.	736-0317	Washer, Bell, .63 x 1.25 x .18
37.	936-0344	Washer, Flat, .385 x 1.0 x .030
38.	736-0362	Washer, Flat, .330 x 1.25 x .06, Ht
39.	737-04003D	Deck Port, Water
40.	938-0373	Bolt, Shoulder, .496 x 1.525, 3/8-16
41.	738-04162A	Spacer, Shoulder, .8840 x .190
42.	748-0234	Spacer, Shoulder
43.	938-3056	Bolt, Shoulder, .496 x 2.50, 3/8-16
44.	942-04244A	Blade, Cut, 23.25" 2-In-1, Cub
45.	747-05323	Rod, Belt Keepr, 42 Idler
46.	747-04944B	Rod, Lift, Deck, Frt, 13.7
47.	747-05011	Rod, Keeper, Belt
48.	747-05052	Rod, Control, Brake 46"
49.	631-04288	Chute Assembly, 46" Offset Cub
50.	747-1116	Rod, Deck Release
51.	750-0258	Spacer, .315 x .750 x .375
52.	750-0566A	Spacer, .260 x .375 x 1.030
53.	751B221535	Clamp, Casing
54.	954-04219	Belt, V-Type, A-Sec
55.	756-04129B	Pulley, Idler, 4.25" Dia
56.	732-04372	Spring, Torsion, .44 I.D. x 2.0
57.	711-04847B	Pin, Hinge, 7.96
58.	783-05946	Bracket, Idler, Pivot, 46
59.	783-06243	Bracket, Cable, Deck Engagement
60.	783-06368A	Bracket, Guard, Belt, 4.25 Pulley
61.	783-06643	Bracket, Support, Deck Idler
62.	712-0417A	Nut, Flange, 5/8-18
63.	937-3000	Lube Fitting, 3/16
64.	738-1186A	Shaft, Spindle, 6.11 Lg.
65.	941-0919	Bearing, Ball, .787 x 1.85 x .551
66.	750-04936	Spacer, .792 x 1.060 x 1.860 Lg
67.	756-04356	Pulley, Deck, 6.93 Dia

Hydrostatic Transmission (Hydro-Gear 311-0510)

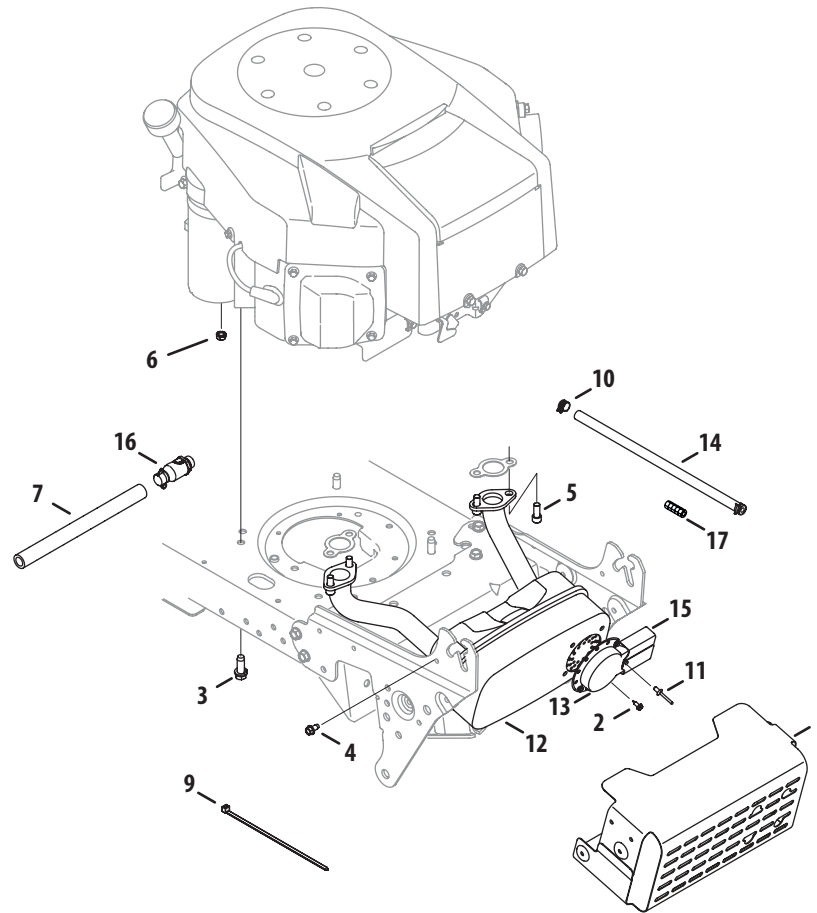


Hydrostatic Transmission (Hydro-Gear 311-0510)

Ref.	Part Number	Description	Ref.	Part Number	Description
1	HG-70467	Main Housing Assembly	40	HG-44871	Ring, Spiral Retaining
		Main Housing, Machined	41	HG-51083	Pin, Jackshaft
		Bushing ,865 x 985 x .790	42	HG-51100	Magnet, Ring
2	HG-70483	Main Housing Assembly	43	HG-51136	Spring, Bypass
		Main Housing, Machined	44	HG-50016	Hydro Mtg Screw 3/8-24 x 2.5
		Bushing ,865 x 985 x .790	45	HG-51581	Bottom, Filter
		Bushing 624 x 719 x .562	46	HG-51580	Base Filter W/ Poppet
3	HG-70477	Center Section Assembly	47	HG-51091	Actuator Bypass
		Center Section Machined	48	HG-51098	Rod Bypass Actuator
		Bushing. 707 x .788 x .591	49	HG-51135	Arm, Bypass
4	HG-51048	Swashplate, Trunnion Machined	50	HG-51116	Retaining Ring 0.250 External
5	HG-70331	Block - Assembly	51	HG-51081	Seal, Lip .741 x .250 x .250 Tc
		Block - Cylinder	52	HG-44371	Flat Washer 5/8 Id x 1.0 Od x .05
		Piston	53	HG-44145	Retaining Ring
		Spring, Compression	54	HG-51071	Bearing, Center Block
		Washer - Thrust	55	HG-2003014	Spring - Helical Compression
7	HG-51190	Hex Flange Screw 1/4-20 x-1,25	56	HG-2003017	Washer
9	HG-51062	Shaft, Input	58	HG-62589	Kit, Brake Yoke
10	HG-2000022	Ring - Retaining			Brake Yoke
11	HG-50951	Spacer			Sq. Hd, Bolt 5/16-24 Ribbed
12	HG-50329	Ring - Retaining	59	HG-51072	Rotor, Brake
13	HG-51161	Seal Lip .67 x 1.58 x .276	60	917-0678	Brake Puck
14	HG-50315	Ball Bearing 17mm Id x 40mm Od	61	917-0682	Puck Plate
16	HG-51064	Bolt. Flange 5/16-24 x .94 (Patch)	62	941-0343	Brake Actuating Pin
17	HG-51140	Lip Seal 18 x 32 x 7	63	HG-51146	Hex Screw 1/4-20 x 2 w/ Patch
18	HG-51119	Arm Control	65	HG-23711	Spacer
19	HG-50551P	Bearing 30x52 x 13 Thrust	66	HG-70896	Kit, Spring
24	HG-50966	Shaft Motor	67	HG-44138	So. Hd, Bolt 5/16-24- Ribbed
27	HG-51130	Gear - Pinnion 13t	68	HG-44094	Arm, Brake
28	HG-51129	10t/48t Gear	69	912-0273	Slotted Hex Nut 5/16-24
29	HG-51043	Gear Jot Jackshaft	70	914-0507	Cotter Pin 3/32 x 3/4
30	HG-51044	60t Bull Gear	71	HG-50919	Comp. Spring Brake Anti-Drag
31	HG-51088	Sleeve Bearing .75 x 1.750 x .625	72	HG-50132	Washer, Ht .5 I. D. x 1 OD, x .032
32	HG-51089	Sleeve Bearing .75 x 1.575 x .625	73	736-0371	Flat Washer, 11/32 ID x 7/8 OD
33	HG-44875	Washer 3/4 Id x 1-1/2 Od x .13 Thk	74	HG-70719	Kit, Seal
34	HG-51066	Lip Seal Axle Seal			Oil, Seal 625 x Lo x .25
35	HG-51079	Shaft Axle .75 x 11.39 (Dd R. H.)			Ring, Ret-Star Washer
36	HG-51078	Shaft Axle .75 x 17.99 (Dd, L, H.)			Bulletin, Shaft Seal
37	HG-71310	Miter Gear (Splined)	75	HG-51084	Check Plug Assem, .027 Washer
38	HG-44097	Miter Gear 15t (0.5 Id)	83	HG-9004800-2506	Pin, Standard Headless
39	HG-50146	Shaft	84	HG-51143	Fitting, 5/16 Sae 5/32 Tube

Hydrostatic Transmission (Hydro-Gear 311-0510)

Ref.	Part Number	Description	Ref.	Part Number	Description
85	HG-51147	Hose, Expansion Tank	121	HG-70756	Filter Assembly
87	HG-51251	Cap., Vent			Bottom Filter
88	HG-50653	Bolt, Self Tapping 10-32 x 112			Base Filter w/ Poppet
94	HG-44147	Ball Bearing .62 Id x 1,38 x 44			Spring Bypass
95	HG-50837	Cap Screw, 5/16-24 x 1-112			Actuator Bypass
96	HG-51200	Spacer, Locating			Deflector
97	HG-50870	Screw, Sfhcs	128	HG-70503	Kit, Expansion Tank
98	HG-51120	Arm, Return			Tank, Expansion
99	HG-51097	Puck, Adjusting			Cap, Vent
100	HG-51122	Washer, .325 OD x 1.6 ID x .150			Bolt, Self Tapping 10-32 x 1/2
101	HG-51131	Spring, Extension			Bracket, Support Expansion Tank
102	HG-51123	Spacer, .56 x .26 x .87			Silicon-Sponge 112 x 1/2 x 3/16
103	HG-51223	Bracket, Torque	129	HG-51252	Cap, Expansion Tank Shipping
107	HG-51134	Deflector	—	HG-50928	Sealant
108	HG-51069	Washer, Motor Shaft .71 Id 1.15 Od	—	HG-70463	Seal, O-Ring Kit
109	HG-9005110-5600	Plug, SAE #6	—	—	20w-50 Oil (78.8 oz)
110	HG-50868	Torx Head Screw, 5/16-18			
111	HG-51144	O-Ring, .07 x .301 ID			
113	HG-51179	Bracket, Support Expansion Tank			
114	HG-51184	Spring Guide			
116	HG-51196	Silicon Sponge			
120	HG-70759	Center Section - Bypass Assm			
		Center Section Machined			
		Base Filter w/ Poppet			
		Check Plug Assembly			
		Spring Bypass			
		Actuator Bypass			
		Deflector			
		Bottom, Filter			
		Bushing, .707 x .788 x .591			



Ref.	Part Number	Description
1.	683-04549	Shield Ass'y, Muffler
2.	710-0227	Screw, Ab, #8-18, 0.500,
3.	710-04683	Screw, Self-tapping, 3/8-16, 1.000,
4.	710-0599	Screw, Self-tapping, 1/4-20, 0.500,
5.	710-1314A	Screw, Socket Head, 5/16-18, .750
6.	712-0271	Nut, Sems, 1/4-20
7.	751-3141-14	Hose, Extension, Oil Drain
8.	KH-24-041-49-S	Gasket, Exhaust
9.	725-0157	Cable, Tie, 3/16 x .05 x 7.4
10.	726-0205	Clamp, Hose, .490 Dia.
11.	728-04000	Rivet, Pop, .188 Dia x .300
12.	751-10528A	Muffler, Intek Twin
13.	751-0564B	Deflector, Muffler
14.	751-10349	Hose, Fuel, Low Permeation, 1/4
15.	751-10353	Deflector, Muffler, Long
	751-11053	Deflector, Muffler, Long *
16.	951-10517A	Drain, Oil
17.	751-12089-28	Hose, Vent *

* Models built after Jan. 1, 2011.

LTX 1046 Labels

777D15460

PROFESSIONAL GRADE

CAST IRON CYLINDER LINER
FULL-PRESSURE LUBRICATION
EXTENDED FILTRATION PACKAGE

Cub Cadet

777I22679



777D12864



777D15459

PROFESSIONAL GRADE

CAST IRON CYLINDER LINER
FULL-PRESSURE LUBRICATION
EXTENDED FILTRATION PACKAGE

Cub Cadet

777I23301



777D15269



777S33233

⚠ DANGER
ROTATING BLADES CAUSE SERIOUS INJURY OR DEATH

- DO NOT MOW WHEN CHILDREN OR OTHERS ARE AROUND
- NEVER CARRY CHILDREN EVEN WITH BLADE(S) OFF.
- LOOK DOWN AND BEHIND BEFORE AND WHILE BACKING.
- MOWING IN REVERSE IS NOT RECOMMENDED.

⚠ WARNING
TO AVOID SERIOUS INJURY OR DEATH

- GO UP AND DOWN SLOPES, NOT ACROSS.
- AVOID SUDDEN TURNS.
- DO NOT OPERATE THE UNIT WHERE IT COULD SLIP OR TIP.
- IF MACHINE STOPS GOING UPHILL, STOP BLADE(S) AND BACK DOWNHILL SLOWLY.
- KEEP SAFETY DEVICES (GUARDS, SHIELDS, AND SWITCHES, ETC.) IN PLACE AND WORKING.
- REMOVE OBJECTS THAT COULD BE THROWN BY THE BLADE(S).
- KNOW LOCATION AND FUNCTION OF ALL CONTROLS.
- BE SURE BLADE(S) AND ENGINE ARE STOPPED BEFORE PLACING HANDS OR FEET NEAR BLADE(S).
- BEFORE LEAVING OPERATOR'S POSITION, DISENGAGE BLADE(S), ENGAGE PARKING BRAKE, SHUT OFF AND REMOVE KEY.

READ OPERATOR'S MANUAL

⚠ WARNING
Operation Of This Equipment May Create Sparks That Can Start Fires Around Dry Vegetation. A Spark Arrestor May Be Required. The Operator Should Contact Local Fire Agencies For Laws Or Regulations To Fire Prevention Requirements.

TO START

- DISENGAGE BLADES(PTO, POWER TAKE OFF)
- ENGAGE THE TRACTOR'S PARKING BRAKE.
- ACTIVATE THE CHOKE CONTROL.
- TURN KEY TO START ENGINE. AFTER START RELEASE KEY & DEACTIVATE CHOKE BY PLACING THROTTLE TO FAST "RABBIT" POSITION.

OPERATING MODES

NORMAL MOWING
YOU MUST DISENGAGE BLADES(PTO, POWER TAKE OFF) BEFORE TRAVELING IN REVERSE.

REVERSE CAUTION MODE

- TURN KEY TO REVERSE CAUTION MODE POSITION.
- DEPRESS REVERSE PUSH BUTTON, (RED INDICATOR LIGHT "ON") WHEN RED LIGHT IS "ON" MACHINE CAN BE OPERATED IN REVERSE WITH MOWER BLADES ENGAGED. IMPORTANT: MOWING IN REVERSE IS NOT RECOMMENDED.
- AFTER RESUMING FORWARD OPERATION, RETURN KEY TO "NORMAL MOWING" POSITION.

NOTE: IN BOTH MODES, WHEN OPERATOR LEAVES SEAT, ENGINE WILL STOP UNLESS PARKING BRAKE IS SET AND BLADES ARE DISENGAGED.

LOWER DASH

PARKING BRAKE
DEPRESS BRAKE PEDAL. PUSH PARKING BRAKE LEVER DOWN AND RELEASE PEDAL TO LOCK

CRUISE CONTROL
TO DESIRED SPEED, PUSH CRUISE CONTROL LEVER DOWN AND RELEASE PEDAL. PRESS BRAKE OR SPEED CONTROL TO RELEASE

FOR A LIST OF Optional Attachments, Please Refer To Your Operators Manual.

777D15268



777D15402



777D15409



777D15399



777I23490

BATT. OIL

HOURS 1/10

PTO / BLADE PARK BRAKE

777I23294



777D15448



777D15449

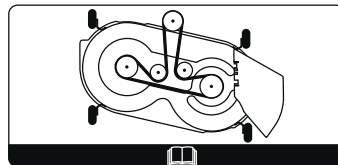


⚠ DANGER
AVOID SERIOUS INJURY OR DEATH

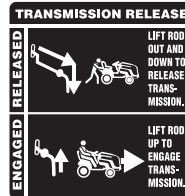
- KEEP HANDS AND FEET AWAY FROM ROTATING PARTS
- REMOVE OBJECTS THAT CAN BE THROWN BY THE BLADE IN ANY DIRECTION. WEAR SAFETY GLASSES. NEVER CARRY CHILDREN OR OTHERS AROUND.
- DO NOT MOW WHEN CHILDREN OR OTHERS ARE AROUND. NEVER CARRY CHILDREN EVEN WITH BLADES OFF.
- USE EXTRA CAUTION ON SLOPES. DO NOT MOW SLOPES GREATER THAN 15°. MOW UP AND DOWN, NOT ACROSS. AVOID SUDDEN TURNS. USE LOW SPEED.

READ OPERATOR'S MANUAL. KEEP SAFETY DEVICES IN PLACE AND WORKING.

777I23092



777I23132



777X44917

MODEL LTX 1046 REPLACEMENT PARTS

Use only Cub Cadet genuine factory parts

Blades	842-04244A (2)	Oil Filter	KH-52-050-02-S
Lower Drive Belt	954-04207	Air Filter w/Pre-Cleaner	KH-32-883-03-S1
Engine To Deck Belt	954-04219	Spark Plug	759-3336
Deck Spindles	918-04854A	Fuel Filter	KH-25-050-22-S1
Ignition Key	725-2054A	Oil Capacity	57.6 oz
Solenoid	925-04439		

www.cubcadet.com

777S30503

⚠ DANGER
KEEP HANDS AND FEET AWAY. DO NOT OPERATE MOWER UNLESS CHUTE DEFLECTOR OR ENTIRE GRASS CATCHER IS IN ITS PROPER PLACE.

ASSEMBLE CHUTE DEFLECTOR TO THIS UNIT BEFORE OPERATING.

777D15419

Cub Cadet

ADVANTAGES:

SERIES 1000 LTX

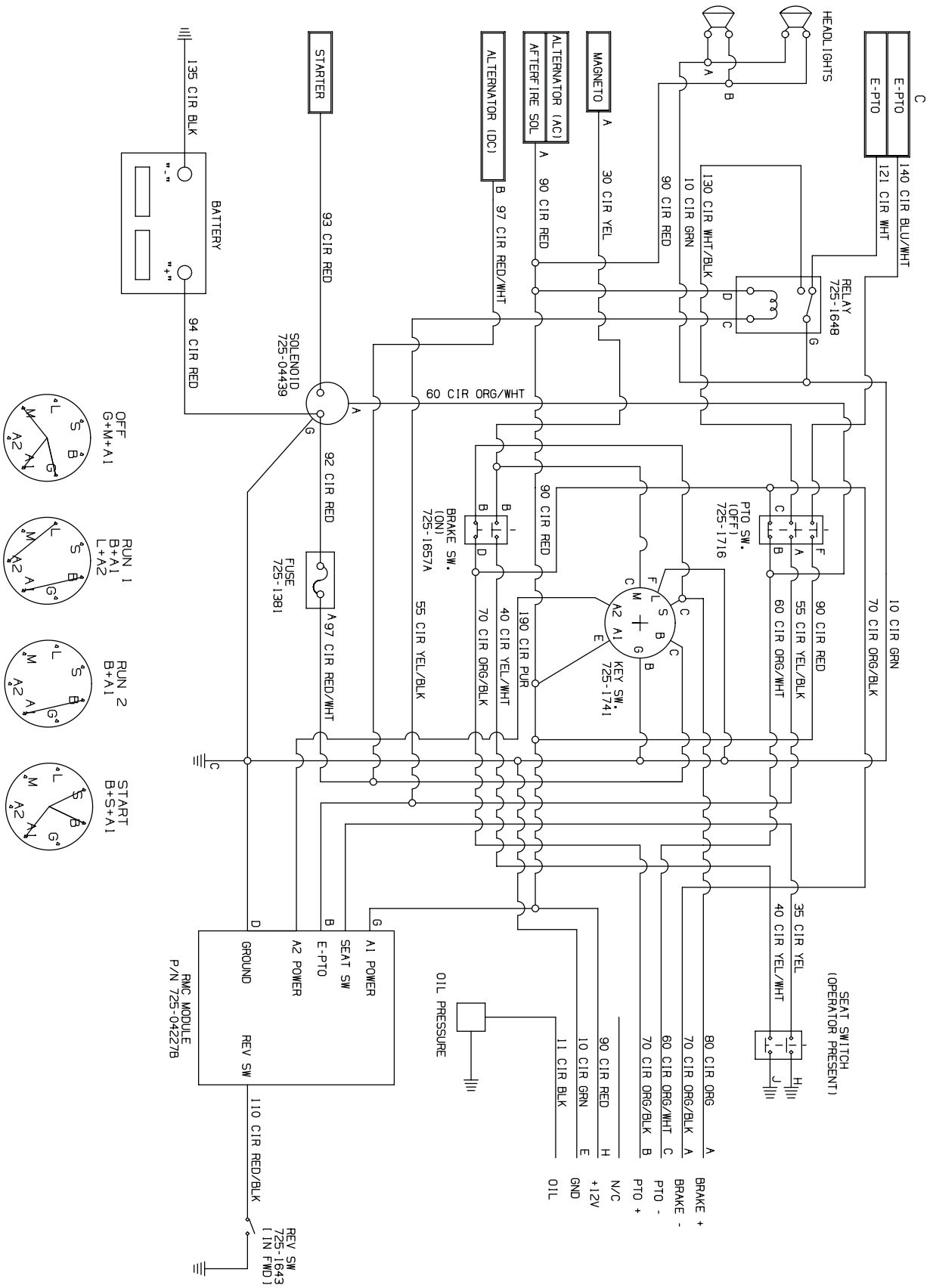
- Industry Leading 12" Turning Radius
- Cub Comfort™ Seat Breathable And Adjustable
- Extra Durable Fully Welded Steel Frame
- Advanced Cutting System For Unsurpassed Results
- 3-and 5-Year Limited Warranty

CAN BE REMOVED AFTER PURCHASE

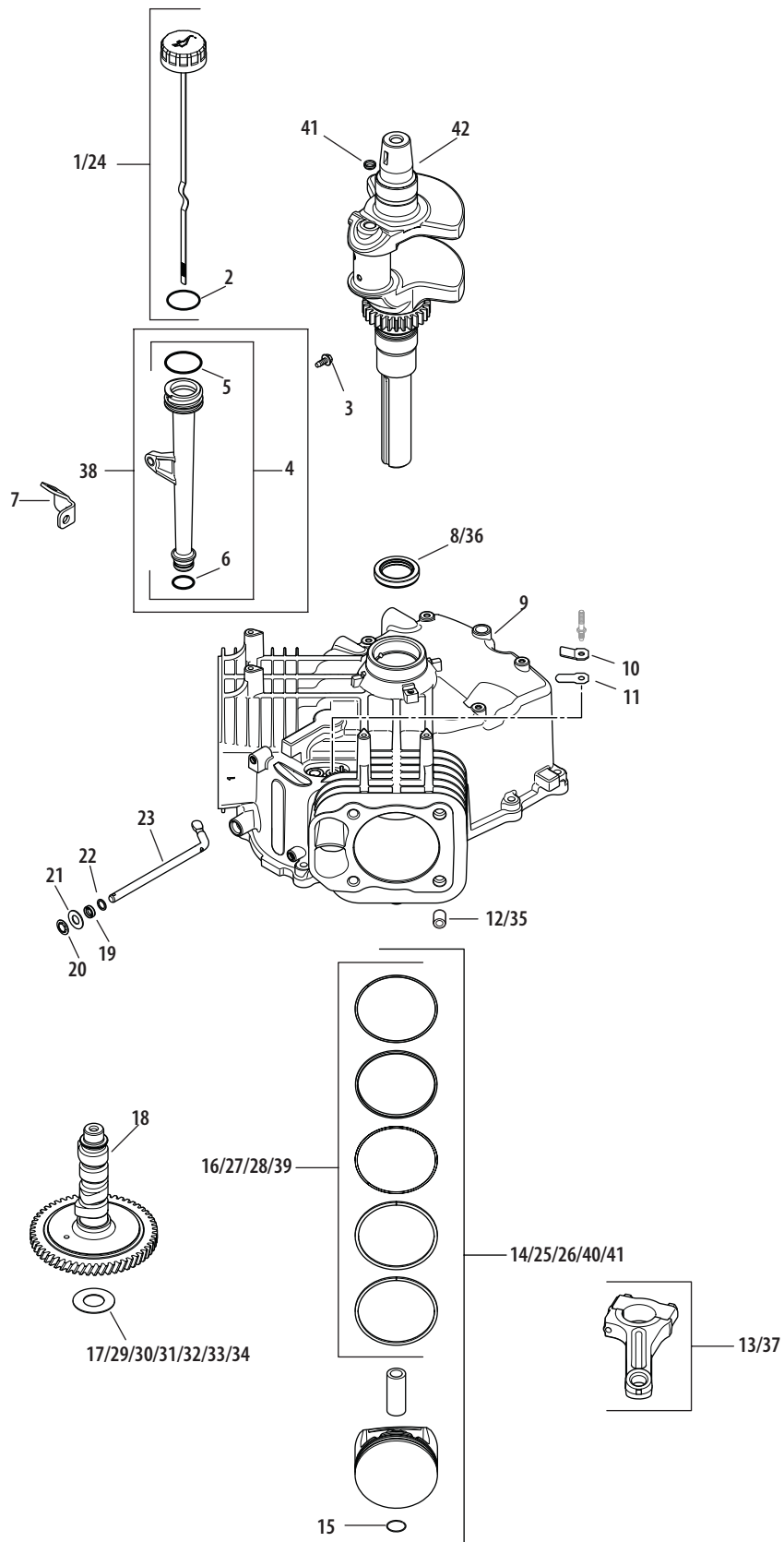
777I23133



Electrical Schematic



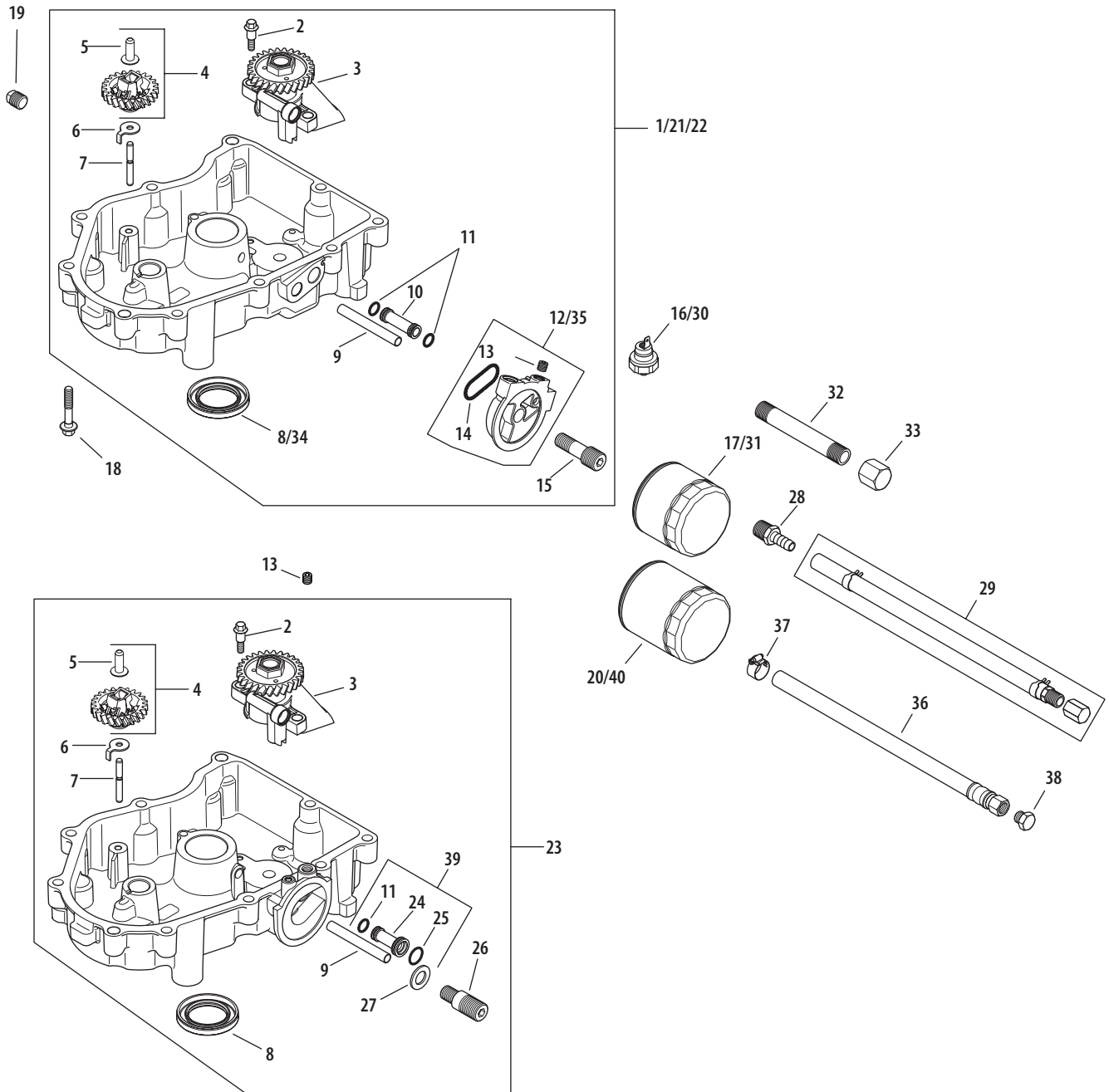
Kohler SV715 Crankcase and Crankshaft



Kohler SV715 Crankcase and Crankshaft

Ref.	Part Number	Description
2	KH-25-153-02-S	Dipstick Assembly (Includes 2)
3	KH-M-545013-S	Flg. Thd. Frm. Screw, M5 X 0.8 X 13
7	KH-24-126-19	Oil Fill Tube Bracket
10	KH-24-018-04-S	Breather Reed Retainer
11	KH-12-402-02	Breather Reed
12	KH-24-380-16-S	Locating Pin
14	KH-25-874-01-S	Piston Kit w/ Ring Set (Inc. 15, 16)
15	KH-24-018-01-S	Piston Pin Retainer
17	KH-12-422-07-S	Camshaft Shim (White .028")
18	KH-32-012-01-S	Camshaft Kit (Inc. KH-25-357-14-S)
19	KH-28-032-09-S	Governor Cross Shaft Seal
20	KH-24-018-09-S	Ring Retainer
21	KH-M-931010-S	Flat Washer, 9 Mm
22	KH-24-468-15-S	Flat Washer, 11/32
23	KH-24-144-38-S	Governor Cross Shaft
24	KH-24-038-04-S	Dipstick Assembly (Inc. 2)
25	KH-25-874-03-S	Piston Kit w/ Ring Set (0.25) 83mm
28	KH-24-108-16-S	Ring Set (.25)
29	KH-12-422-08-S	Camshaft Shim (Blue .03")
30	KH-12-422-09-S	Camshaft Shim (Red .032")
31	KH-12-422-10-S	Camshaft Shim (Yellow .034")
32	KH-12-422-11-S	Camshaft Shim (Green .036")
33	KH-12-422-12-S	Camshaft Shim (Gray .038")
34	KH-12-422-13-S	Camshaft Shim (Black .04")
36	KH-24-032-19-S	Oil Seal (Helix Lip)
37	KH-24-067-28-S	Connecting Rod (Std)
38	KH-32-755-04-S	Tube Assembly (Inc. 4-6)
39	KH-24-108-14-S	Ring Set (Std)
40	KH-25-874-01-S	Kit, Piston w/Ring
41	KH-52-139-09-S	Cup Plug
42	KH-32-014-04-S	Crankshaft (Includes 2)
N/A	KH-25-357-14-S	Camshaft Lubricant
N/A	KH-32-522-03	SV710-740 Shortblock
N/A	KH-32-755-01-S	Gasket Set

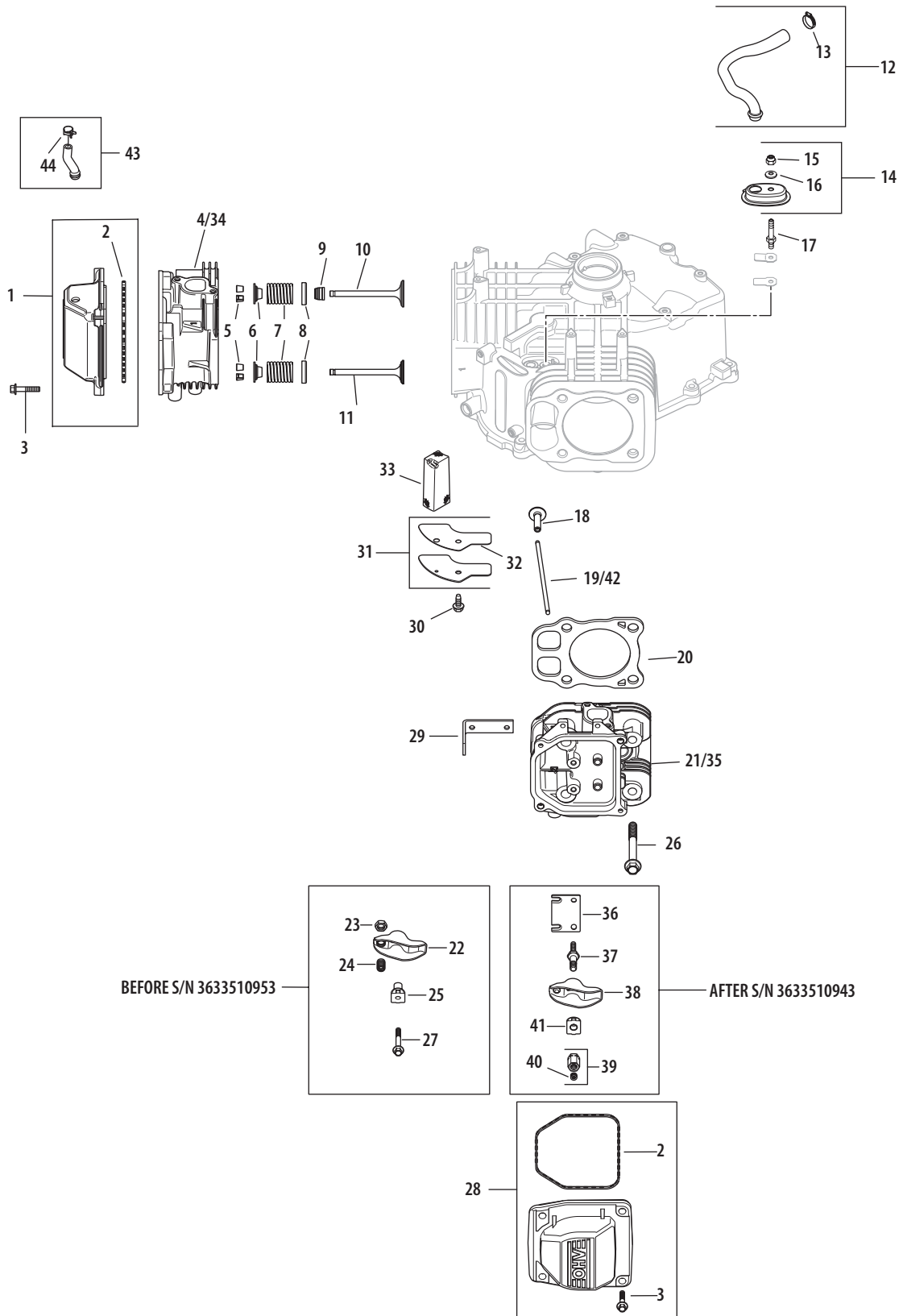
Kohler SV715 Oil Pan / Lubrication



Kohler SV715 Oil Pan / Lubrication

Ref.	Part Number	Description
2	KH-32-086-01-S	Shd. Thd. Frm. Screw, M6 X .0 X 6.5
3	KH-32-393-10-S	Oil Pump Assembly
4	KH-24-043-12	Governor Gear w/ Pin Kit (Inc. 5)
5	KH-12-380-01	Governor Regulating Pin
6	KH-24-448-02-S	Locking Tab
7	KH-12-144-02	Governor Gear Shaft
8	KH-25-032-06-S	Oil Seal
9	KH-32-123-01-S	Oil Feed Tube - Filter To Pan
11	KH-24-153-01	Oil Pick-Up O-Ring
13	KH-25-139-60-S	Plug, Ctsk. Pipe Plug, 1/8
17	KH-12-050-01-S	Oil Filter
18	KH-24-086-17-S	Flg. Screw, M8 x 1.25 x 45
19	KH-25-139-57-S	Sq. Hd. Pipe Plug, 3/8
23	KH-32-199-14-S	Oil Pan Assembly (Inc. 2-9, 11, 24-27)
24	KH-32-123-06-S	Oil Feed Tube
25	KH-32-153-05-S	O-Ring
26	KH-32-136-05-S	Oil Filter Nipple
27	KH-32-468-02-S	Flat Washer
39	KH-32-123-09-S	Oil Feed Tube Assembly (Includes 11, 24, 25)

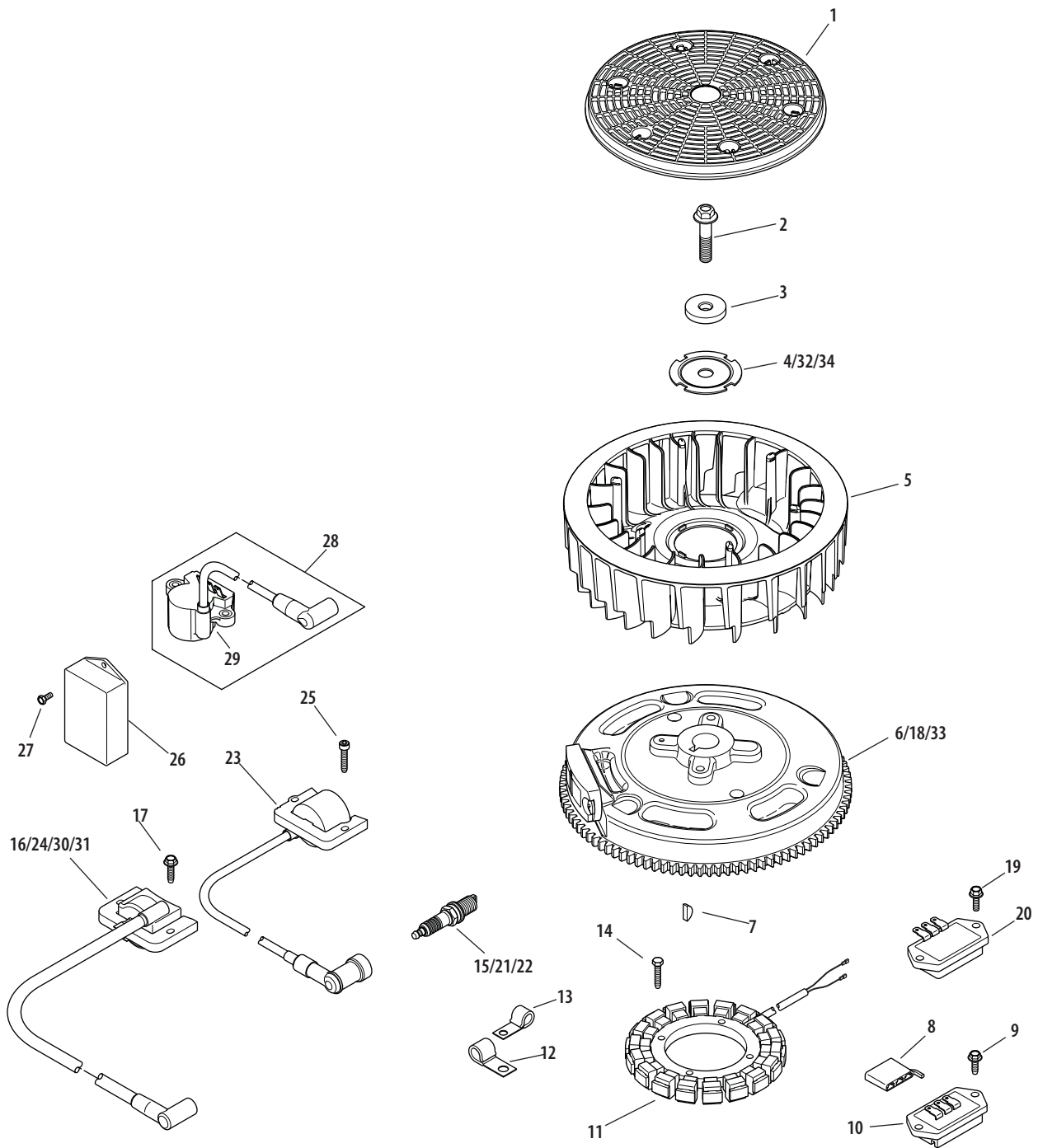
Kohler SV715 Head/Valve/Breather



Kohler SV715 Head/Valve/Breather

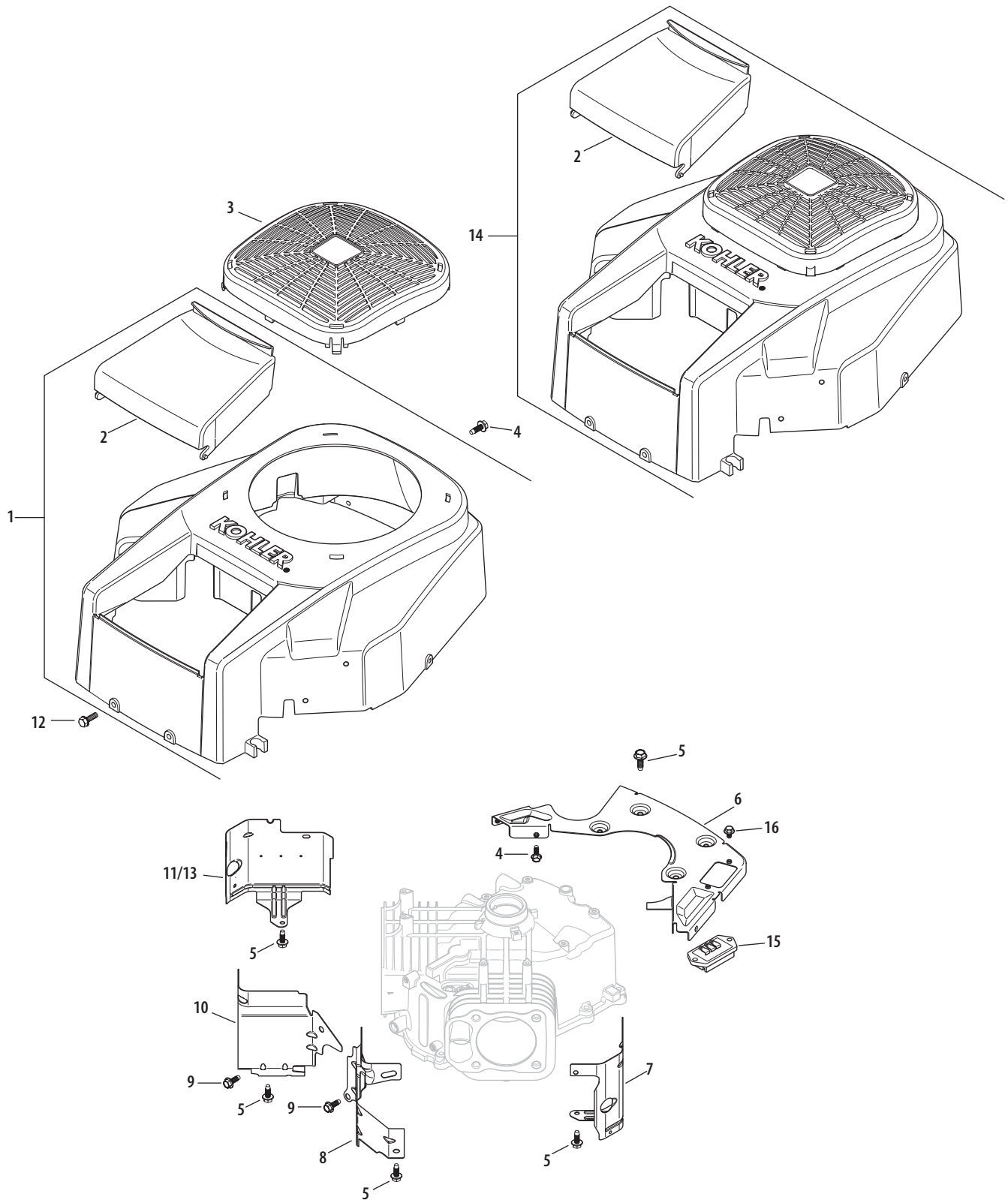
Ref.	Part Number	Description
1	KH-32-096-06-S	Breather Valve Cover Kit (Inc. 2)
2	KH-24-153-30-S	Valve Cover O-Ring
3	KH-M-651030-S	Flg. Screw, M6 X 1.0 X 30
5	KH-12-755-03	Retainer Kit
6	KH-12-173-01	Valve Spring Cap
7	KH-24-089-02	Valve Spring
8	KH-235011-S	Spring Retainer
9	KH-66-032-05-S	Valve Stem Seal
10	KH-24-017-01	Intake Valve (Std)
11	KH-24-016-01	Exhaust Valve (Std)
12	KH-32-326-06-S	Kit, Breather Hose Kit (Inc. 13)
13	KH-25-237-14-S	Hose Clamp, 1/2
14	KH-32-081-02-S	Breather Housing Kit (Inc. 15, 16)
15	KH-M-547050-S	Lock Nut, M 5 X .8
16	KH-32-468-01-S	Sealing Washer
17	KH-32-072-03-S	Breather Cover Stud
18	KH-32-019-02-S	Tappet
20	KH-32-841-01-S	Cylinder Head Gasket Kit (Inc. 26, KH-24-041-49-S And KH-24-153-27-S)
26	KH-62-086-08-S	Flg. Screw, M 10 X 1.5 X 90
28	KH-24-755-141-S	Breather Valve Cover Kit (Inc. 2 & 3)
29	KH-25-445-01-S	Lifting Strap
30	KH-M-645016-S	Flg. Thd. Frm. Screw, M6 X 1.0 X 16
31	KH-32-096-04-S	Breather Cover Kit (Inc. 32)
33	KH-32-050-01-S	Breather Filter
34	KH-32-318-13-S	#1 Cylinder Head Assembly Kit (Inc. Exhaust Mounting Hardware)
35	KH-32-318-14-S	#2 Cylinder Head Assembly Kit (Inc. Exhaust Mounting Hardware)
36	KH-32-146-09-S	Guide Plate
37	KH-32-072-04-S	Rocker Stud
38	KH-32-186-03-S	Rocker Arm
39	KH-32-100-05-S	Hex Nut Assembly (Includes 39)
40	KH-25-086-168-S	Set Screw
41	KH-25-599-01-S	Rocker Arm Pivot
42	KH-32-411-04-S	Push Rod
43	KH-32-326-07-S	Fuel Pump Hose w/ Clamp Kit (Inc. 44)
44	KH-25-237-01-S	Hose Clamp
N/A	KH-32-755-03-S	Cylinder Head Hardware Kit (Services 1 Head, Quantities Listed Are For Both Heads) (Inc. 5-11, 19, 22, 25 & 34)
N/A	KH-24-153-27-S	Intake Port O-Ring

Kohler SV715 Ignition / Electrical



Ref.	Part Number	Description
1	KH-32-162-03-S	Grass Screen
2	KH-12-086-14	Flg. Screw, M 10 X 1.5 X 45
3	KH-12-468-03	Flat Washer, 13/32
4	KH-20-146-05-S	Fan Mounting Plate
5	KH-32-157-01-S	15 Amp Stator Kit (Inc. KH-25-452-01-S)
6	KH-32-025-16-S	Flywheel Assembly
7	KH-X-42-15	Key, 3/16 X 5/8
8	KH-25-155-41-S	Connector
11	KH-237878	15 Amp Stator Kit
14	KH-M-548025-S	Thd. Frm. Screw, M5 X 0.8 X 25
15	759-3336	Spark Plug
16	KH-24-584-45-S	Module Ignition Kit
17	KH-M-545020-S	Flg. Thd. Frm. Screw, M5 X .8 X 20
N/A	KH-25-454-03-S	Wire Tie
N/A	KH-25-454-05-S	Tie
N/A	KH-32-176-24-S	Wiring Harness
N/A	KH-25-454-05-S	Tie
N/A	KH-25-452-01-S	Terminal

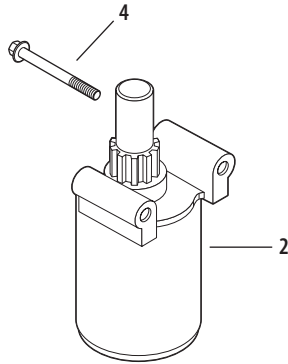
Kohler SV715 Blower Housing & Baffles



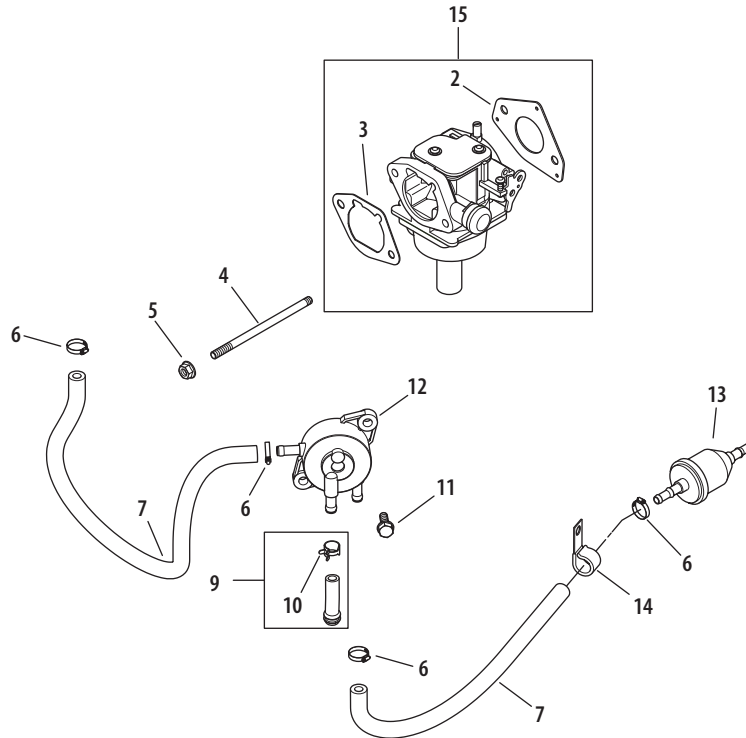
Kohler SV715 Blower Housing & Baffles

Ref.	Part Number	Description
1	KH-32-027-03-S	Housing Blower Kit (Inc. 2 & KH-41-037-10-S)
2	KH-32-096-08-S	Air Cleaner Cover
4	KH-M-545016-S	Flg. Thd. Frm. Screw, M5 X 0.8 X 16
5	KH-M-645016-S	Flg. Thd. Frm. Screw, M6 X 1.0 X 16
6	KH-32-146-05-S	Backing Plate Kit
7	KH-32-063-12-S	Cyl. Barrel Baffle - #2 Side
8	KH-32-063-02-S	Valley Baffle - #2 Side
9	KH-M-0545010	Flg. Thd. Frm. Screw, M5 X .8 X 10
10	KH-32-063-03-S	Valley Baffle - #1 Side
11	KH-32-063-10-S	Cyl. Barrel Baffle - #1 Side
12	KH-24-086-12	Tap Screw, M6 X 1.7 X 18
15	KH-41-403-10-S	Regulator/Rectifier
16	KH-25-086-158-S	Flg. Thd. Frm. Screw, M6 X 1.0 X 10
N/A	KH-41-037-10-S	Service Nameplate

Kohler SV715 Starting System



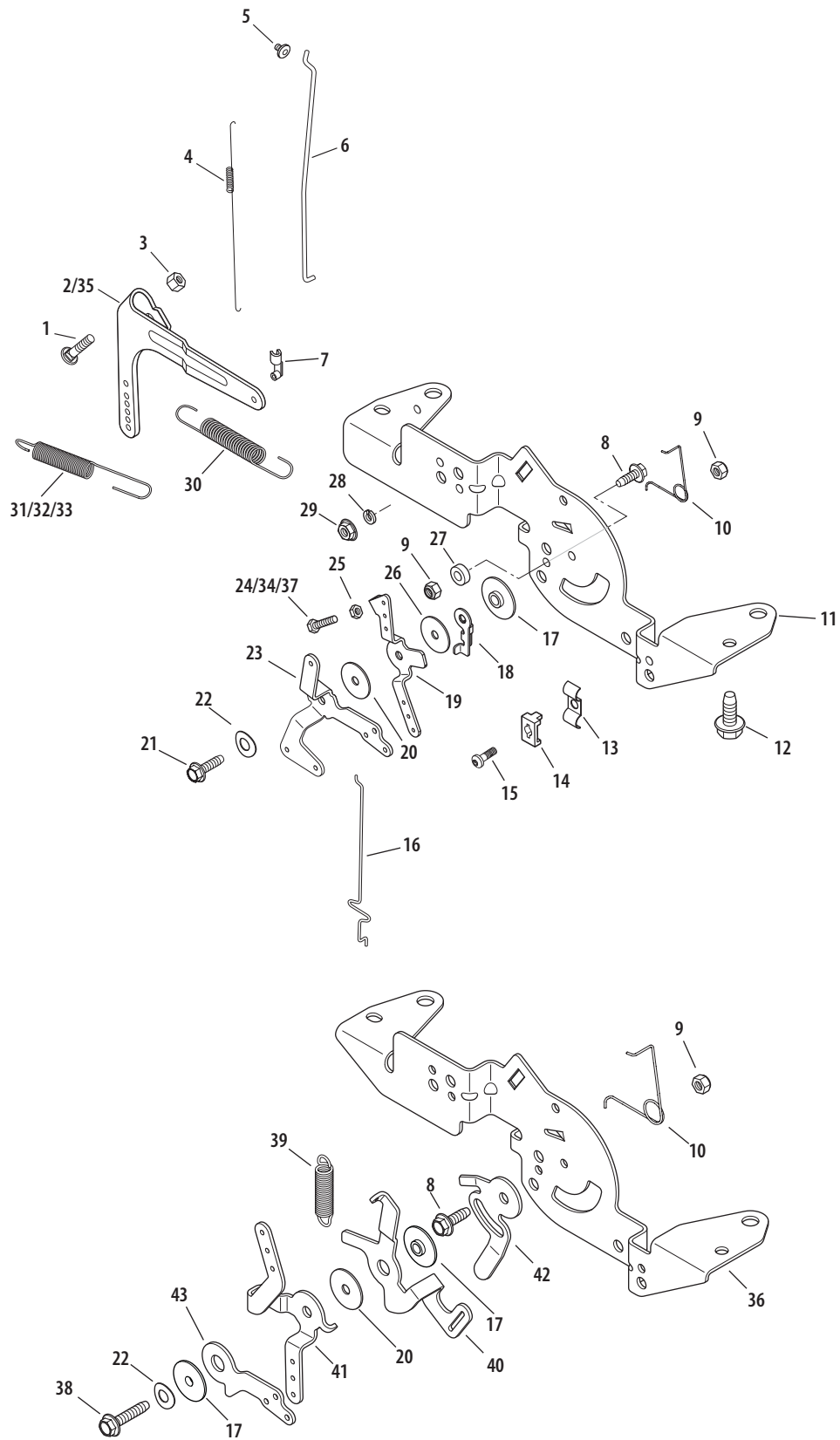
Ref.	Part Number	Description
2	KH-32-098-03-S	Starter Assembly
4	KH-M-851080-S	Flg. Screw, M8 X 1.25 X 80



Ref.	Part Number	Description
2	KH-24-041-52-S	Carburetor Gasket
3	KH-24-041-14	Air Cleaner Base Gasket
4	KH-M-629105-S	Stud, M6 X 1.0 X 106
5	KH-M-641060-S	Flg. Nut, M6 X 1.0
6	KH-25-237-14-S	Hose Clamp, 1/2
7	KH-25-111-34-S	Fuel Line
11	KH-24-086-12	Tap Screw, M6 X 1.7 X 18
12	KH-24-393-16	Fuel Pump
13	KH-25-050-22-S1	Fuel Filter
14	KH-47-154-01-S	Cable Clip

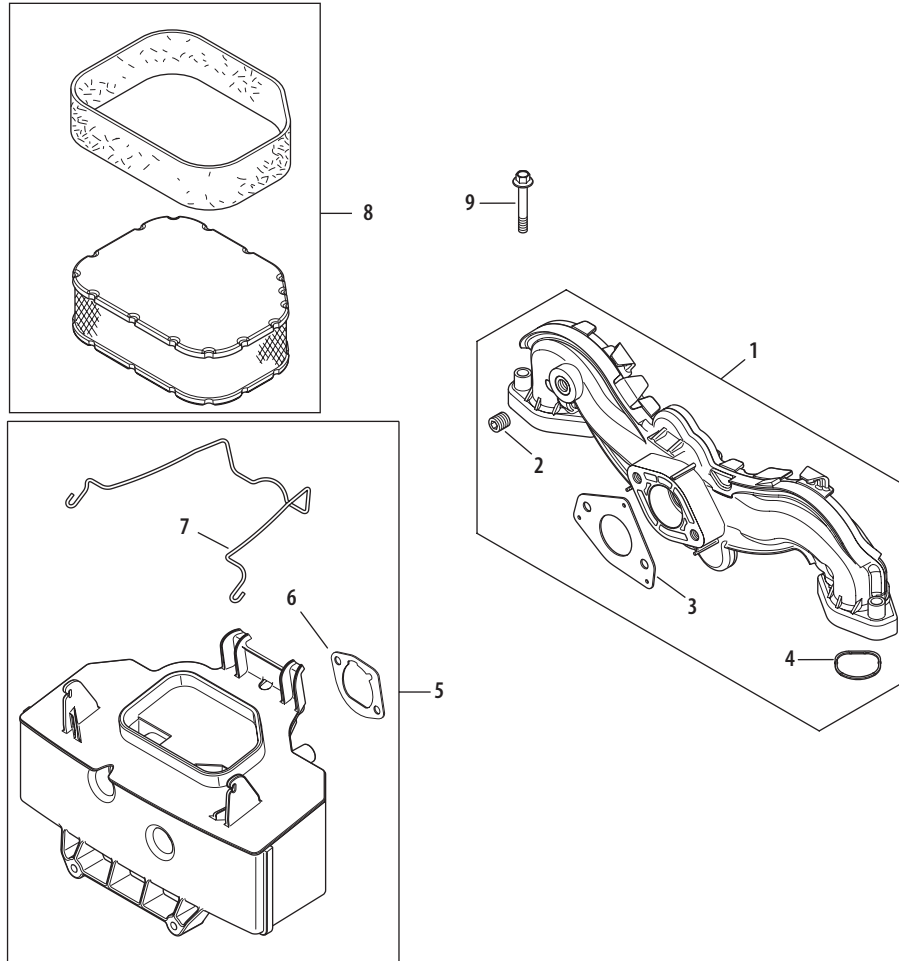
Ref.	Part Number	Description
15	KH-32-853-11-S	Carburetor Kit, 19mm KEIHIN (Inc. 2 & 3)
N/A	KH-24-757-36-S	Choke Repair Service Kit (Inc. 2 & 3)
N/A	KH-24-757-38-S	Gasket Repair Service Kit (Inc. 2 & 3)
N/A	KH-24-757-44-S	Float Kit (Inc. 2 & 3)
N/A	KH-24-757-45-S	Solenoid Valve Repair Kit (Inc. 2 & 3)
N/A	KH-24-757-46-S	Repair Overhaul Kit (Inc. 2 & 3)

Kohler SV715 Controls



Ref.	Part Number	Description
1	KH-24-211-03-S	Rd. Hd. Sq. Neck Bolt, M6 X 1.0 X 25
3	KH-M-641060-S	Flg. Nut, M6 X 1.0
4	KH-24-089-01	Linkage Spring
5	KH-25-158-08	Linkage Retaining Bushing
6	KH-24-079-04	Throttle Linkage
7	KH-25-158-11	Throttle Linkage Bushing
8	KH-M-545016-S	Flg. Thd. Frm. Screw, M5 X 0.8 X 16
9	KH-M-547050-S	Lock Nut, M5 X .8
10	KH-24-089-03	Choke Return Spring
12	KH-M-645016-S	Flg. Thd. Frm. Screw, M6 X 1.0 X 16
14	KH-12-237-01	Cable Clamp
15	KH-24-086-43-S	Lbd. Thd. Frm. Screw, M5 X 0.8 X 16
16	KH-24-079-22-S	Choke Linkage
17	KH-24-112-27-S	Control Assembly Spacer
20	KH-24-468-01	Flat Washer. 5.5mm
22	KH-41-468-03	Spring Washer, 1/4
30	KH-24-089-55-S	Governor Spring
33	KH-24-089-18	Governor Spring
35	KH-24-090-51-S	Governor Lever
36	KH-24-126-172-S	Control Bracket
38	KH-25-086-151-S	Thd. Frm. Screw, M5 X 0.8 X 25mm
39	KH-32-089-03-S	Speed Control Spring
40	KH-32-090-07-S	Governor Spring Lever
41	KH-32-090-08-S	Speed Control Lever
42	KH-32-090-09-S	Speed Setting Lever
43	KH-32-090-10-S	Choke Lever

Kohler SV715 Fuel System Air Intake / Filtration



Ref.	Part Number	Description
1	KH-24-164-91-S	Intake Manifold Kit (Inc. 2-4)
2	KH-24-041-52-S	Carburetor Gasket
3	KH-24-153-27-S	Intake Port O-Ring
4	KH-25-139-60-S	Ctsk. Pipe Plug, 1/8
5	KH-32-094-04-S	Air Cleaner Base Kit (Inc. 5 & 6)
6	KH-24-041-14	Air Cleaner Base Gasket
7	KH-32-344-02-S	Air Cleaner Element Latch
8	KH-32-883-03-S1	Air Filter Element / Pre-Cleaner
9	KH-M-651040-S	Flg. Screw, M6 X 1.0 X 40
N/A	KH-24-757-45-S	Solenoid Valve Repair Kit (Inc. 2 & 3)
N/A	KH-24-757-46-S	Repair Overhaul Kit (Inc. 2 & 3)



To order replacement parts, call a Customer Support Representative at (800) 965-4CUB.
Locate your nearest Cub Cadet dealer at (877) 282-8684
or visit www.cubcadet.com to find the nearest Cub Cadet dealer in your area.

CUB CADET LLC, P.O. BOX 361131 CLEVELAND, OHIO 44136-0019
