

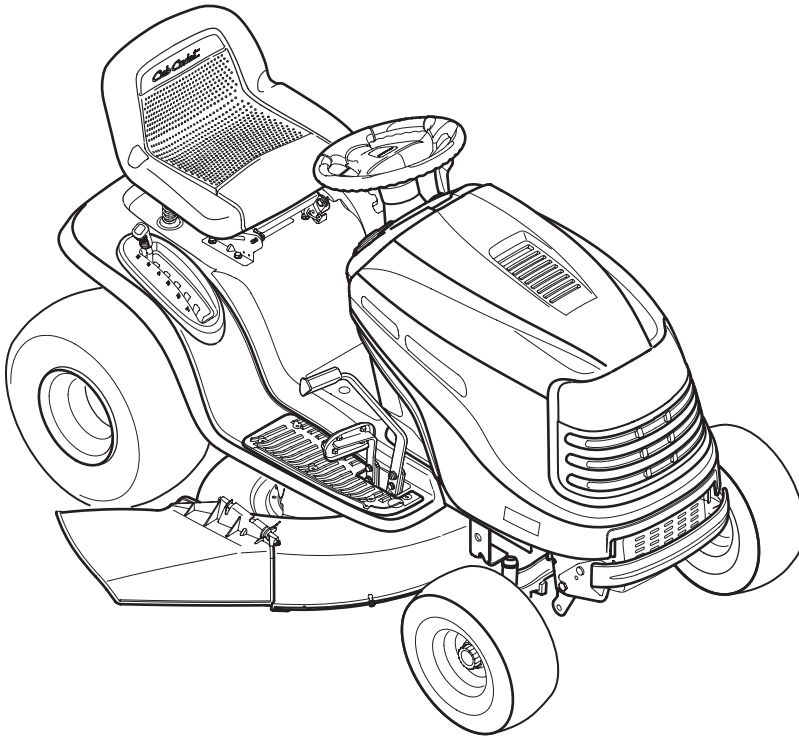
Cub Cadet[®]

Parts Manual

SERIES 1000

CVT Lawn Tractor

Model LT1040



CUB CADET LLC, P.O. BOX 361131 CLEVELAND, OHIO 44136-0019

PRINTED IN U.S.A.

FORM NO. 769-02074C
(2/15/2007)

SERIES 1000 CVT LAWN TRACTORS

TABLE OF CONTENTS

DESCRIPTION	PAGE	DESCRIPTION	PAGE
Axle, Front	8	Engine Accessories	15
Battery	10	Fender	12
Brake Pedal	4	Frame	10
Deck, 42-inch.....	20	Fuel Tank	16
Dash Panel	16	Head Lamp	18
Drive System	4	Hood	18
Electrical Schematic	30	Lift Linkage	13
Engine		Muffler	15
Air Intake/Filtration.....	24	PTO	19
Blower Housing	28	Seat	14
Crankcase	22	Steering	8
Cylinder Head.....	25	Transmission	6
Engine Controls	26	Wheels, Front & Rear	3
Fuel System.....	27		
Ignition / Electrical	28		
Oil Pan / Lubrication	29		
Starting System	28		

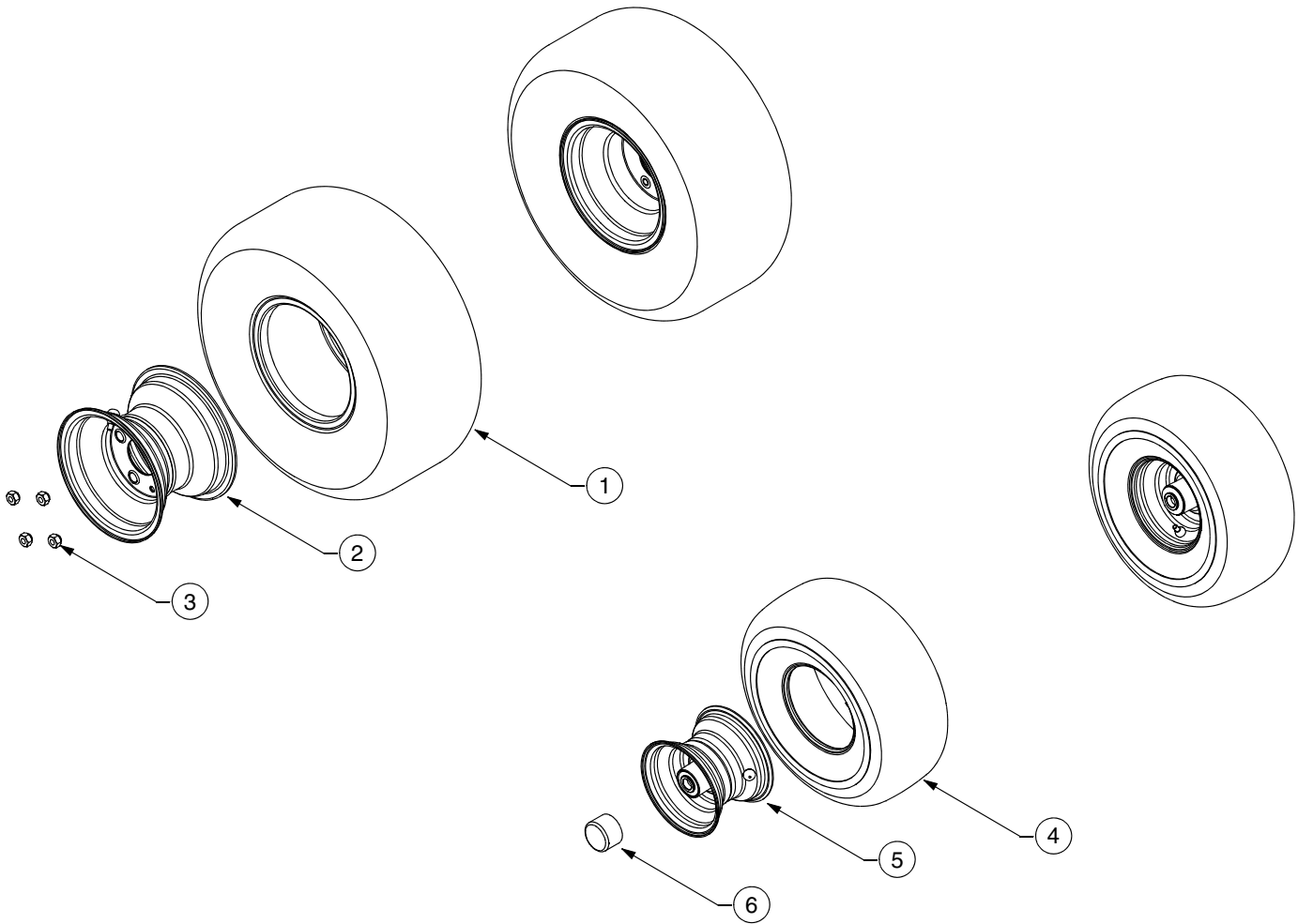
NOTE, For **painted parts**, please refer to the list of color codes below. Please add the applicable color code, wherever needed, to the part number to order a replacement part. For instance, if a part, numbered 700-xxxx, is painted Cub Yellow, the part number to order would be 700-xxxx-0716.

Cub Yellow: 0716

Cub Beige: 0499

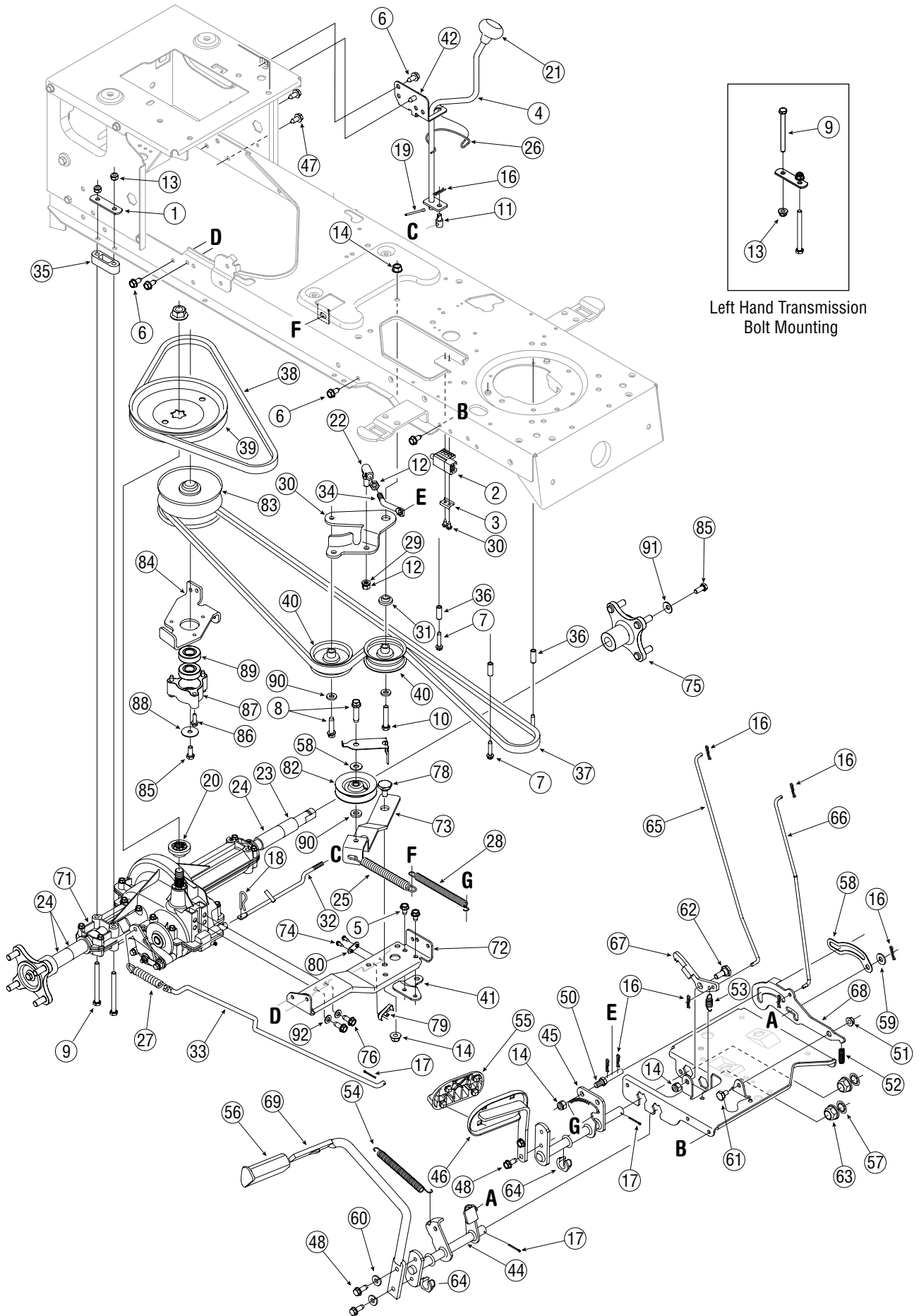
Powder Black: 0637

WHEELS



REF. NO.	PART NUMBER	DESCRIPTION	QTY.
1	734-1873	Tire, Turf, 20 x 10 x 8	2
2	634-0246A	Rim Assembly, 8.0 x 6.19 (4-Lug)	2
3	712-3050	Lug Nut, 7/16-14	8
4	734-1731	Tire, Turf, 15 x 6 x 6	2
5	634-04081	Rim Assembly, 6 x 4.5 (Includes Flange Bearings and Valve)	2
6	731-05674	Hub Cap	2
—	734-0255	Valve, Tubeless Air	4

DRIVE SYSTEM

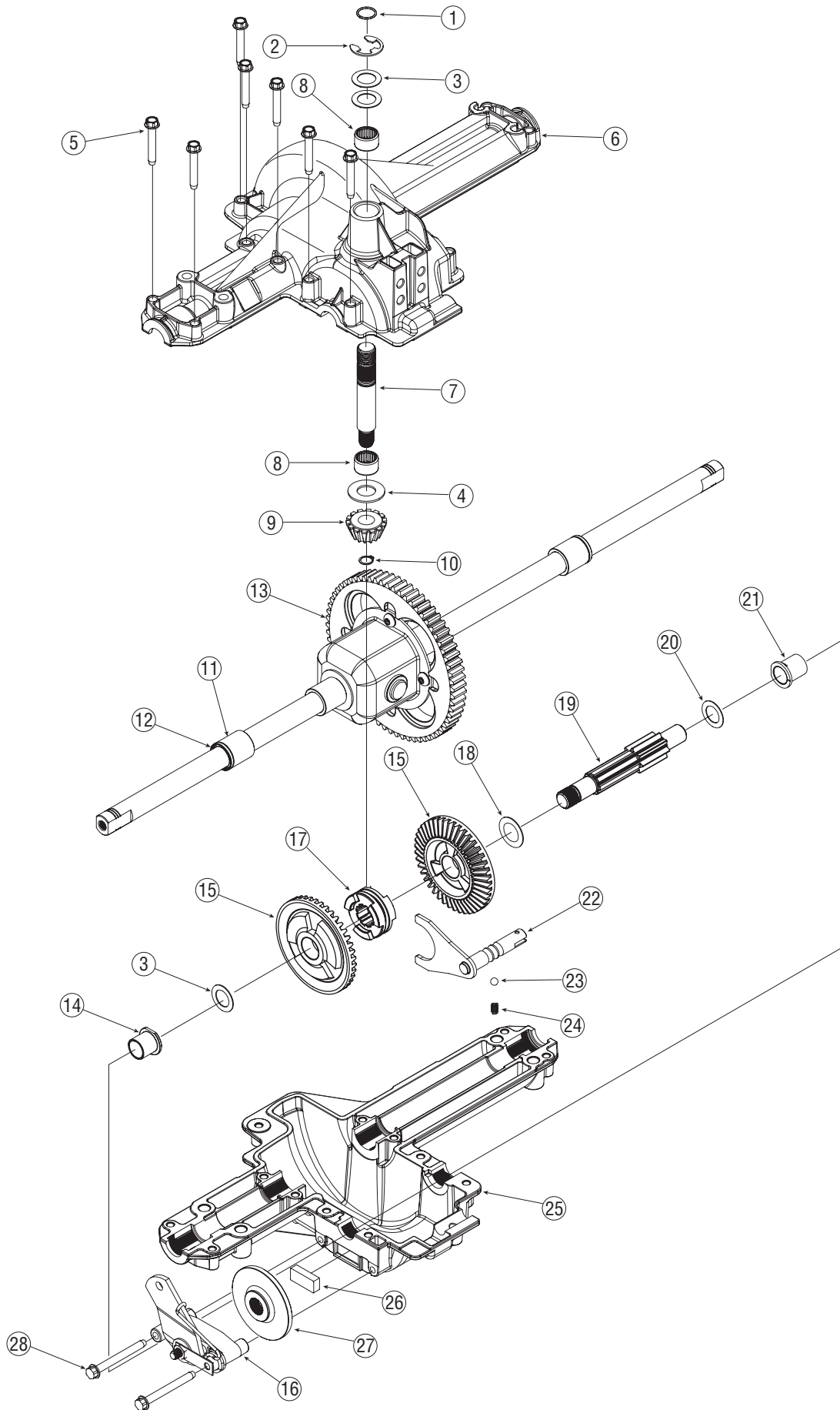


Left Hand Transmission Bolt Mounting

DRIVE SYSTEM

REF. NO.	PART NO.	DESCRIPTION	REF. NO.	PART NO.	DESCRIPTION
1	17840	Mounting Bracket, Transaxle	47	710-04598	Screw, M8 x 1.25 x 20 mm
2	725-04039	Switch, Interlock	48	710-1260A	Screw, 5/16-18, 0.750
3	17962	Plate, Switch	49	710-1611B	Screw, 5/16-18, 0.750
4	647-04020	Lever Assembly, Shift	50	711-04159B	Pin, 3/8-16 x 2.68
5	710-0607	Screw, 5/16-18, 0.500	51	712-3004A	Nut, Flange Lock, 5/16-18, Gr5
6	710-0726	Screw, 5/16-12, 0.750	52	732-0335	Spring, Compression, .405 x 1.17
7	710-0809	Screw, 1/4-20, 1.250	53	732-0955	Spring, Extension, .50 OD x 1.41
8	710-1007	Screw, Sems, 3/8-16, 1.500	54	732-0963	Spring, Extension, .50 OD x 6.37
9	710-1266	Screw, 5/16-18, 3.50, Gr5	55	735-0662	Pad
10	710-3144	Screw, 3/8-16, 2.00, Gr5	56	735-3049	Pad, Brake
11	711-0736	Adjustment Ferrule 1/4-20 x 1.	57	736-0187	Washer, Flat, .64 x 1.24 x .06
12	712-0241	Nut, Hex, 3/8-24, Gr5	58	736-0262	Washer, Flat, .385 x .870 x .092
13	712-04063	Nut, Flange Lock, 5/16-18, GrF, Nylon	59	736-0300	Washer, Flat, .406 x .875 x .059
14	712-04065	Nut, Flange Lock, 3/8-16, GrF, Nylon	60	736-0119	Washer, Lock, 5/16
15	712-0700	Nut, Flange, 9/16-18, Gr2	61	738-0155	Screw, Shoulder .437 Dia x .162
16	714-0104	Pin, Cotter, .072 Dia. x 1.13	62	738-0380	Screw, Shoulder, .50 x .27 Lg, 3/8-16
17	714-0111	Pin, Cotter, 3/32, 1.0	63	741-0225	Bearing, Hex Flange
18	714-0209	Cotter Pin, Internal, .125 Dia.	64	741-3065B	Split Bearing, Hex Flange
19	714-0470	Pin, Cotter, 1/8 x 1.25	65	747-04093A	Rod, Brake Lock
20	718-0758A	Pulley Hub, 5/8 Spline	66	747-04096	Rod, Cruise Control
21	720-04028	Knob, Shift	67	748-04039C	Latch, Cruise Control
22	723-3018	Ball Joint	68	683-04186	Bracket, Lockout
23	731-04682	Sleeve, .758 x .821 x 1.5	69	747-04641	Pedal, Brake
24	731-04604	Sleeve, .758 x .821 x 2.4375	70	783-0780B	Bracket, Neutral Return
25	732-04370A	Spring, Extension, .76 Dia x 6.12	71	618-04034	Transmission, Single Speed
26	732-0525	Spring Clip, Shifter	72	683-04287	Bracket Assembly, Torque
27	732-0716C	Spring, Extension, .59 OD x 4.00	73	683-04286	Bracket, Idler
28	732-0963	Spring, Extension, .50 Dia x 6.37	74	710-0227	Screw, #8-18 x .50
29	736-0169	Washer, Lock, 3/8	75	618-04228	Hub Assembly, Wheel
30	710-0224	Screw, #10-16, .50	76	710-0604A	Screw, 5/16-18, .625
31	738-0372B	Spacer, Shoulder, 1.00 x .38 x .38	77	710-3290	Screw, 3/8-16, 1.12
32	747-04146C	Rod, Shift	78	738-0322A	Screw, Shoulder, .625 x .217
33	747-04164	Rod, Brake	79	725-1644	Switch Spring, Short
34	747-1127	Idler Rod, Adjustable, 3/8	80	726-0320	Plate, Insulator
35	748-0334	Spacer, .68	81	750-04294	Spacer, Shoulder
36	750-0566A	Spacer, .260 x .372 x 1.030	82	756-0116A	Pulley, V-Type, 3.06
37	754-0467	Belt, V-Type	83	656-04015	Pulley Assembly, Variable Speed
38	754-0468	Belt, V-Type	84	683-04296	Bracket, Pulley
39	756-04002	Pulley, V-Type, 7.25 Dia.	85	710-0627	Screw, 5/16-24, .750
40	756-0981B	Idler Pulley, Flat 2.75 OD	86	710-0778	Screw, 1/4-20, 1.50
41	783-04224	Bracket, Shift	87	718-04261	Cup, Bearing
42	783-04360	Bracket, Shift, F-N-R	88	736-0362	Washer, Flat
43	783-04442	Idler Bracket, Center Double	89	741-0124	Ball Bearing
44	647-04100	Control Assembly, Brake	90	736-3010	Washer, Flat, .407 x .812 x 135
45	647-0032A	Control Assembly, Speed	91	736-0242	Washer, Bell, .340 x .872 x .060
46	683-0266	Pedal Assembly	92	736-0264	Washer, Flat, .330 x .630 x .063

CONTINUOUSLY VARIABLE TRANSMISSION

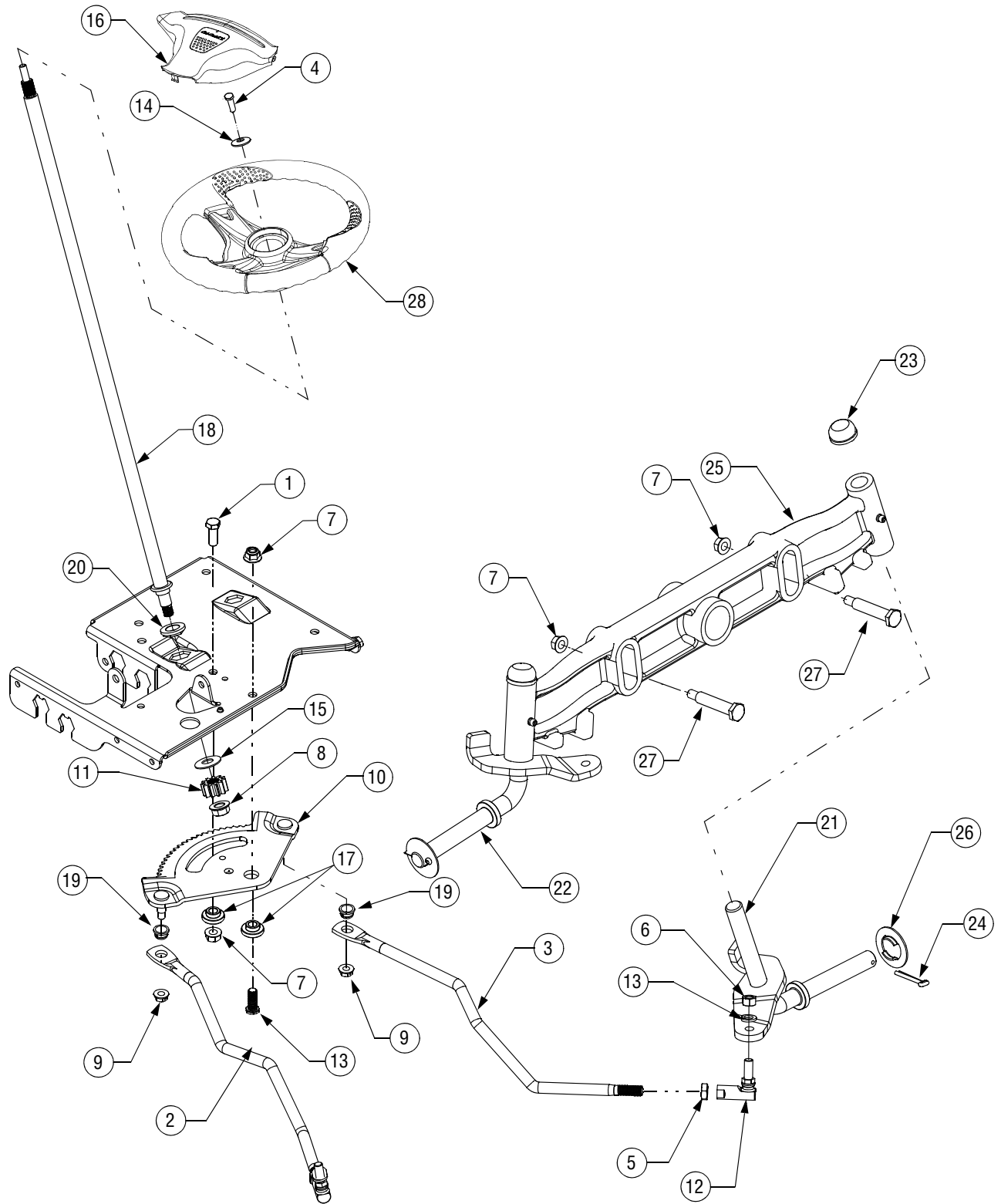


CONTINUOUSLY VARIABLE TRANSMISSION

REF. NO.	PART NUMBER	DESCRIPTION	QTY.
1	732-0614	Ring, Wire	1
2	716-0231	Ring, E Type, .750	1
3	736-0336	Flat Washer, 5/8 x 1.0 x .030*	*
	736-0337	Flat Washer, 5/8 x 1.0 x .040*	*
	736-0349	Flat Washer, 5/8 x 1.0 x .020*	*
4	736-0335	Washer, Thrust .635 x 1.26 x .06	1
5	710-1325	Self-tapping Screw, 1/4-20 x 1.625	13
6	618-04168	Upper Housing	1
7	711-1109	Input Shaft	1
8	741-0335	Needle Bearing, .625 x .813 x .495	2
9	717-1464	14-tooth Bevel Pinion	1
10	716-0108	Retaining Ring, .437	1
11	741-0340	Sleeve Bearing, .75 x 1.0 x 1.0	2
12	721-0338	Seal, .75 x 1.0 x .125	2
13	618-04041A	Differential Assembly	1
14	741-0336	Flange Bearing, 5/8 x 3/4 x 3/4	1
15	717-04056	42-tooth Bevel Gear	2
16	661-0001	Brake Assembly	1
17	718-04045	Clutch Collar	1
18	736-0519	Flat Washer, .70 x 1.125 x .031	1
19	711-04134	Drive Shaft	1
20	736-0495	Thrust Washer, 1.0 x .632 x .0	2
21	741-0337	Flange Bearing, 5/8 x 3/4 x 15/16	1
22	611-0011	Detent Shaft Assembly	1
23	741-0862	Detent Ball	1
24	732-0863	Compression Spring	1
25	719-04018	Lower Housing	1
26	717-0678	Brake Puck	1
27	761-0202	Brake Disc	1
28	710-1206	Self-tapping Screw, 1/4-20 x 2.375	2
—	737-0148	Grease	19 oz

*Use applicable flat washer (12a, 12b or 12c) in this application allowing .0050/.0150 in. end-play

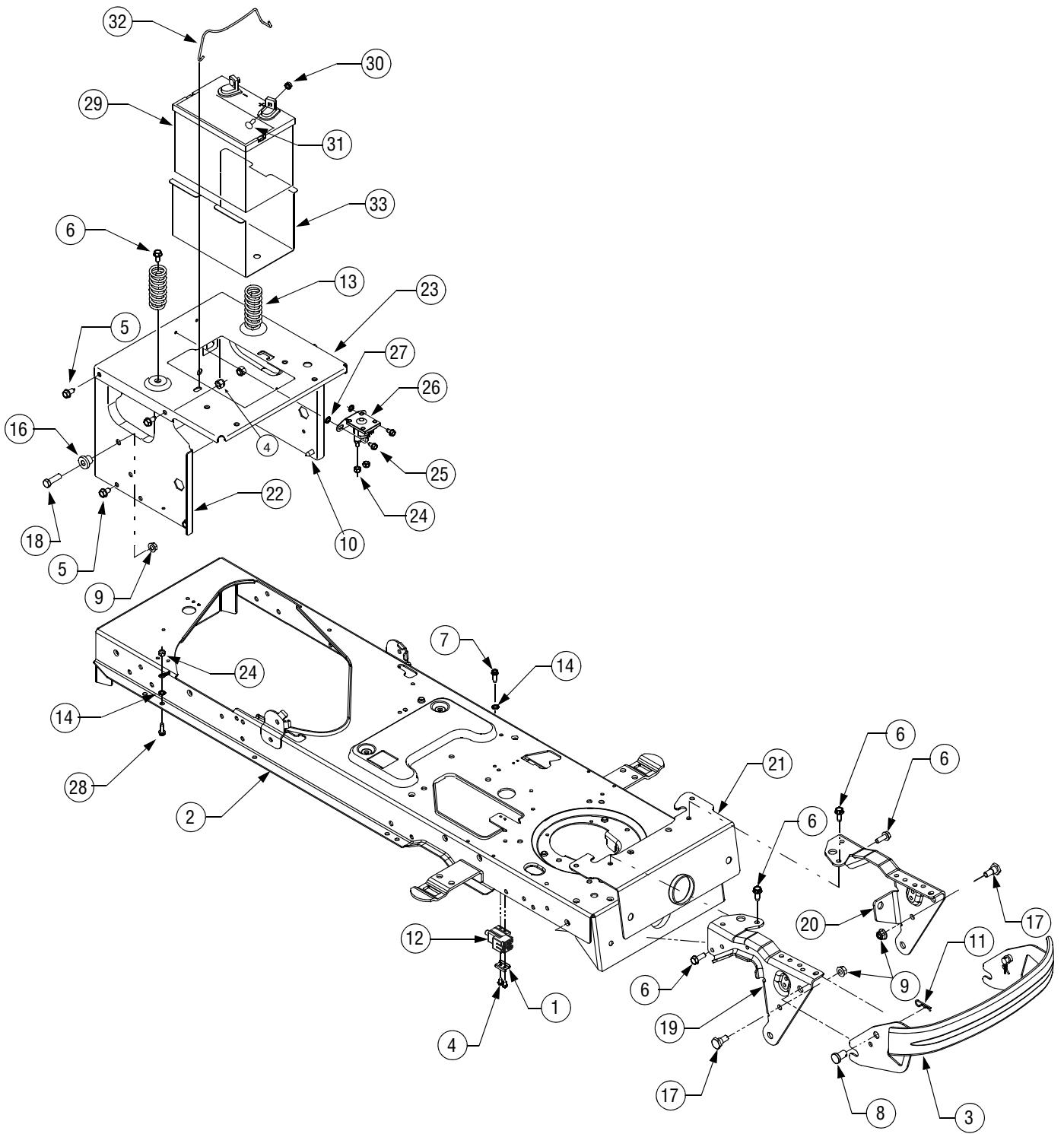
STEERING



STEERING

REF. NO.	PART NUMBER	DESCRIPTION	QTY.
1	710-0514	Hex Cap Screw, 3/8-16, 1.00, Gr5, Std	1
2	711-1408	Link, Drag, RH	1
3	711-1409A	Link, Drag, LH	1
4	710-1260	Self-tapping Screw, 5/16-18 x .75	1
5	712-0240	Nut, Jam, 7/16-20, Gr2	2
6	712-0214	Nut, Hex, 3/8-24, Gr5	2
7	712-04065	Nut, Nylon Lock, 3/8-16	4
8	712-0459	Nut, Flange Lock, 7/16-20	1
9	712-3004A	Nut, Flange Lock, 5/16-18	2
10	717-1550E	Gear, Steering, 11/90 Ratio	1
11	717-1554	Gear, Pinion, Steering	1
12	723-0448A	Ball Joint, 7/16-20	2
13	710-04095	Hex Cap Screw, 3/8-16, 1.00	1
14	736-3004	Washer, Flat, .406 x .875 x .105	1
15	736-3084	Washer, Flat, .510 x 1.120 x .060	1
16	731-04532A	Cover, Steering Wheel	1
17	738-04154	Spacer, Shoulder, 1.00 x .38 x .38	2
18	738-04075	Shaft, Steering, .625 OD x 25.00 Lg	1
19	741-0475	Bushing, Plastic, .380 ID	2
20	741-0656A	Bearing, Hex Flange, 5/8	1
21	638-04005	Axle Ass'y, LH .750 Dia	1
22	638-04006	Axle Ass'y, RH .750 Dia	1
23	726-0341	Push Cap, .75	2
24	714-04039	Pin, Cotter, 5/32, 1.25	2
25	719-04105	Axle, Pivot, Cast .750 Dia	1
26	736-04228	Washer, Flat, Special .781 x 1.59	2
27	738-1011A	Screw, Shoulder, .500 x 2.230, 3/8-16	2
28	631-04008A	Wheel, Steering, Three Spoke	1

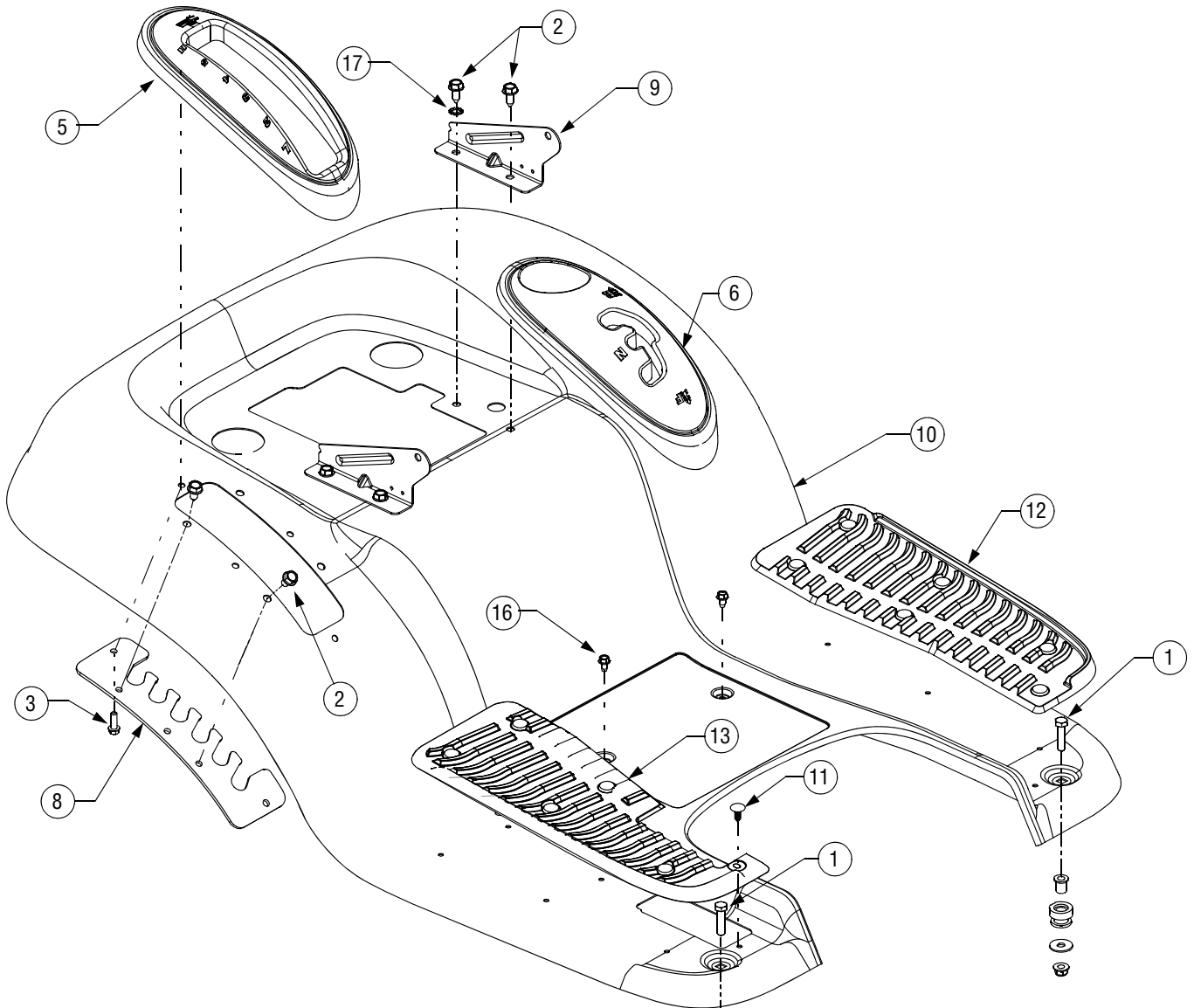
FRAME



FRAME

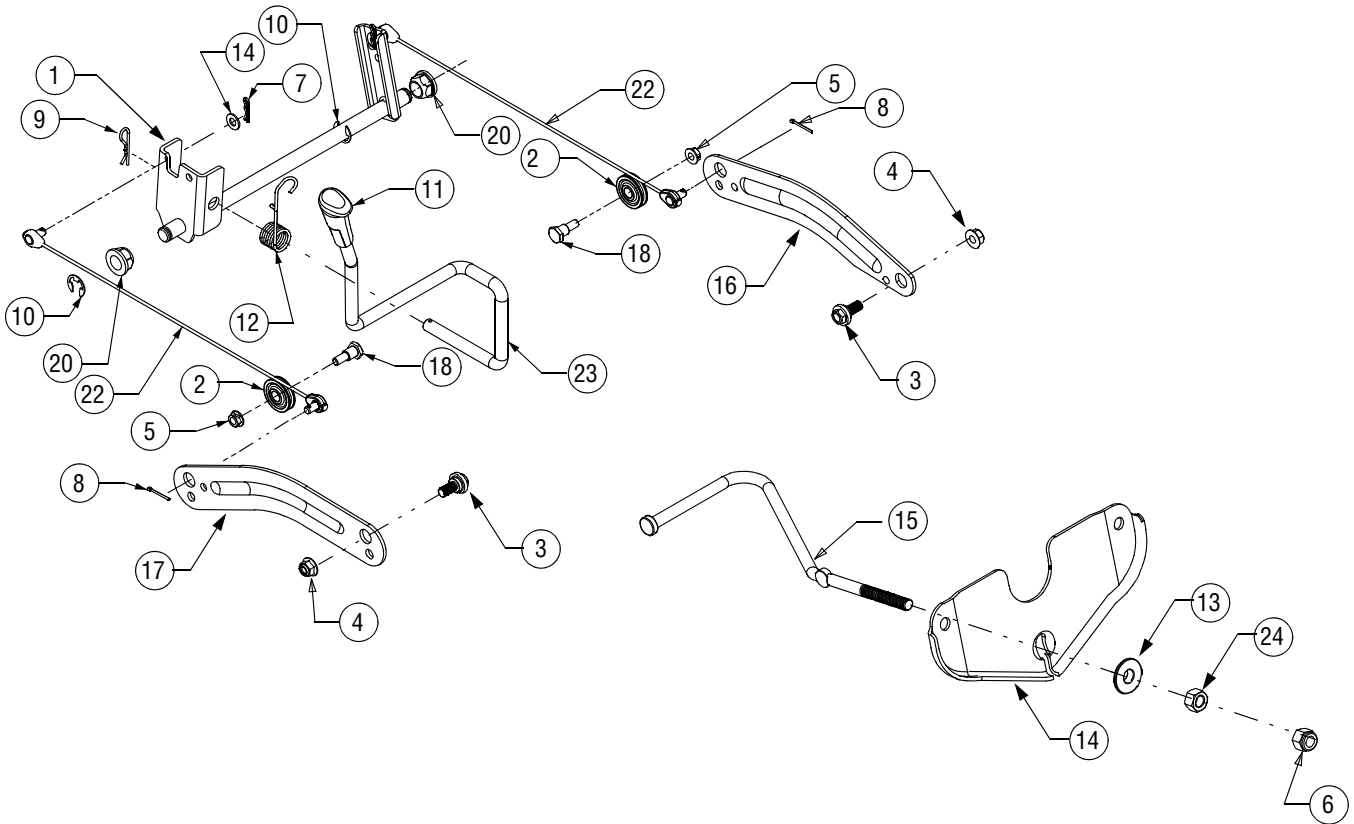
REF. NO.	PART NUMBER	DESCRIPTION	QTY.
1	17962	Plate, Switch	1
2	683-04173B	Frame Assembly, Lower	1
3	683-04238	Bumper Assembly	1
4	710-0224	Screw, Hex Washer, 10-16 x .5	2
5	710-0604A	Screw, Self-tapping, 5/16-18, 0.625	7
6	710-1260A	Screw, Self-tapping, 5/16-12, 0.75	6
7	710-1652	Screw, Hex Washer, 1/4-20 x 0.625	1
8	711-0332	Pin, Clevis, .50 Dia x .78 Lg	2
9	712-04065	Nut, Nylon Lock, 3/8-16	2
10	710-0607	Screw, Hex Wash. Tapp, 5/16-18 x .5	1
11	714-04023	Pin, Internal Cotter	2
12	725-04039	Switch, Interlock	1
13	732-04035	Spring, Compression, 1.28 OD x 3.125	2
14	736-0222	Washer, Lock, Ext 1/4	3
16	738-04058	Shoulder Spacer	2
17	738-0143	Shoulder Screw, 3/8-16	2
18	710-3005	Hex Screw 3/8-16 x 1.25	2
19	783-0726E	Bracket, Pivot, Support RH	1
20	783-0727D	Bracket, Pivot, Support LH	1
21	783-0728B	Bracket, Pivot, Bar	1
22	783-04809D	Frame, Upper	1
23	783-04746	Bracket, Frame, Seat	1
24	712-04064	Nut, Nylon Lock, 1/4-20	3
25	710-0599	Screw, Self-tapping, 1/4-20, 0.500	2
26	725-1426A	Solenoid, 12V, 100 Amp	1
27	736-0222	Washer, External Lock, 1/4	2
28	710-0642	Screw, Hex. 1/4-20 x .75	1
29	725-1737A	Battery, 190 CCA	1
30	712-0324	Nut, Sems, 1/4-20	1
31	710-0703	Screw, Carriage, 1/4-20, .75,	1
32	747-04121A	Hold-down Rod, Battery	1
33	783-0349	Tray, Battery	1

FENDER



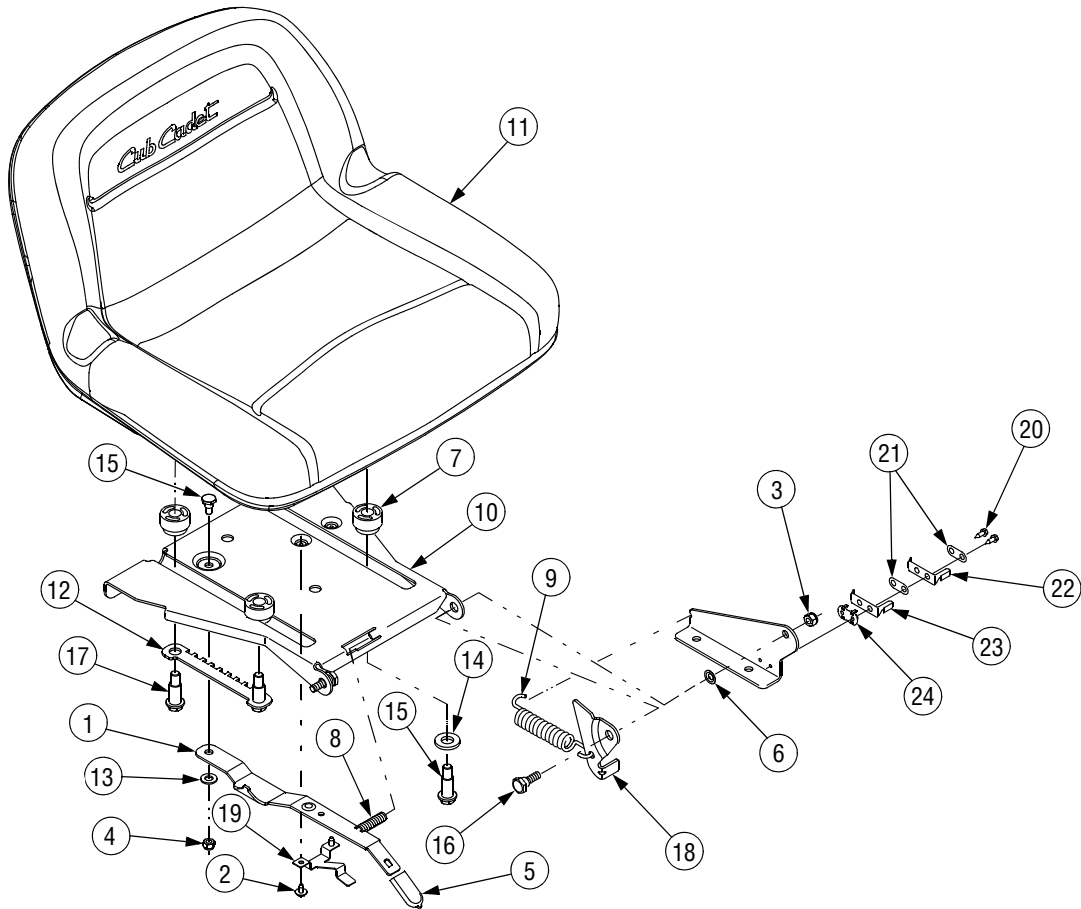
REF. NO.	PART NUMBER	DESCRIPTION	QTY.
1	710-0528	Screw, 5/16-18 x 1.25	2
2	710-0604A	Screw, 5/16-12, 0.625	6
3	710-0895	Screw, 1/4-15, 0.750	4
4	712-04063	Nut, Nylon Lock, 5/16-18	2
5	731-1990	Cover, Lift Lever	1
6	731-2104C	Cover, Cup Holder	1
7	736-3078	Washer, Flat, .349 x 1.00 x .063	2
8	783-0677B	Bracket, Lift, Adjustment	1
9	783-1489C	Bracket, Seat, Mount	2
10	783-04333A	Fender	1
11	726-3046	Clip, Ratchet, .250 Dia	12
12	735-0697A	Pad, Foot, LH	1
13	735-0698B	Pad, Foot, RH	1
14	735-0690	Grommet	2
15	750-3310	Flange Spacer, .3125 x .4375 x .625	2
16	710-0599	Screw, Self-tapping, 1/4-20, 0.500	2
17	736-0607	Washer, Lock, 5/16 External Tooth	1

LIFT ASSEMBLY



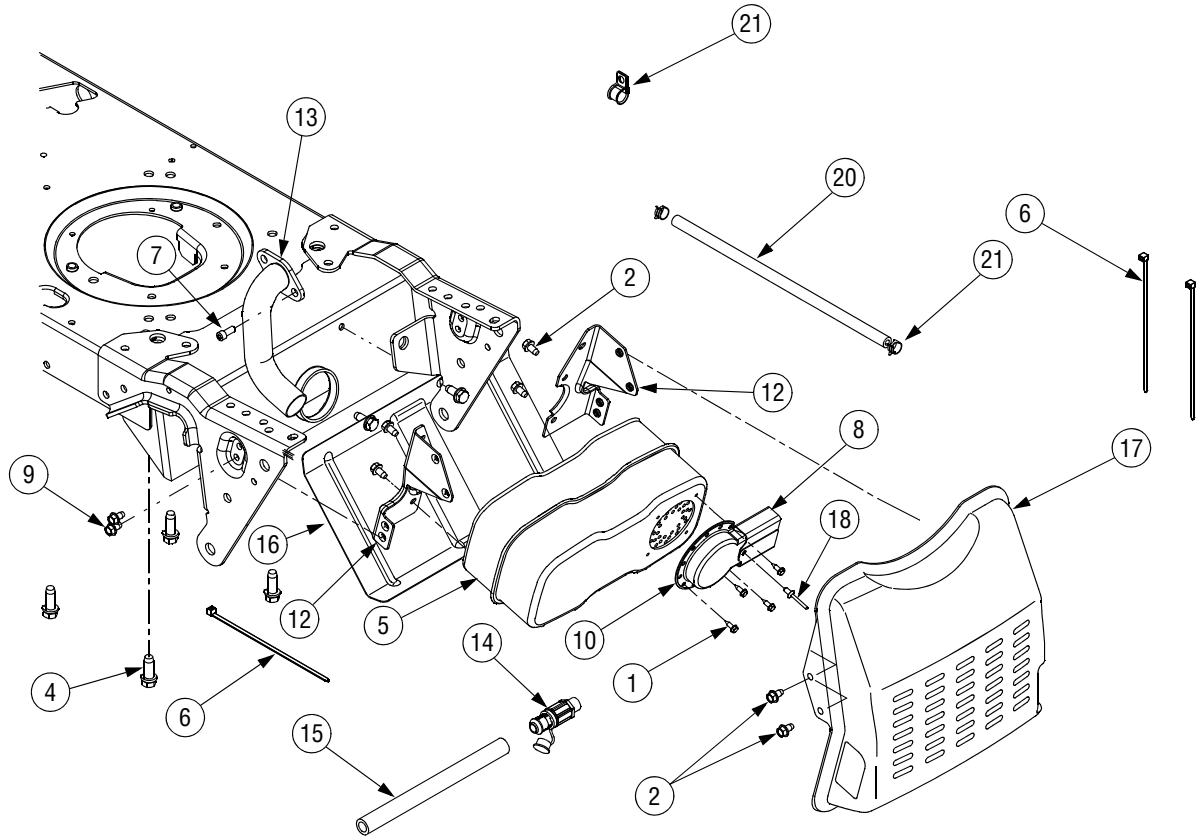
REF. NO.	PART NUMBER	DESCRIPTION	QTY.
1	683-04223	Shaft Assembly, Lift	1
2	756-1154	Pulley, Roller	2
3	738-04130	Shoulder Screw, 3/8-16	2
4	712-04065	Nut, Nylon Lock, 3/8-16	1
5	712-04063	Nut, Nylon Lock, 5/16-18, Gr5	2
6	712-3083	Nut, Hex Lock, 1/2-13, Gr8, Nylon	2
7	714-0104	Pin, Cotter, .072 Dia. x 1.13 Lg	2
8	714-0111	Pin, Cotter, 3/32, 1.0	2
9	714-04023	Pin, Click, .092 x 1.64 Lg	2
10	716-0106A	E-ring, .625 Dia. Shaft	2
11	720-0311	Grip, Handle	1
12	732-0874	Spring, Torsion	1
13	748-04069	Pivot Cup	1
14	783-04568	Hanger Bracket, Deck	1
15	747-04269A	Rod, Deck, .448" Dia.	1
16	783-04711	LH Arm, Lift	1
17	783-04494	RH Arm, Lift	1
18	738-0138A	Screw, Hex Cap, 5/16-18x.620 Gr2	2
19	738-0143	Shoulder Screw, 3/8-16	2
20	741-0225	Bearing, Hex Flange	2
22	746-0968	Cable, Lift, 16.16 Lg	2
23	747-04447	Handle, Lift	1
24	712-0206	Nut, Hex, 1/2-13	1

ADJUSTABLE SEAT



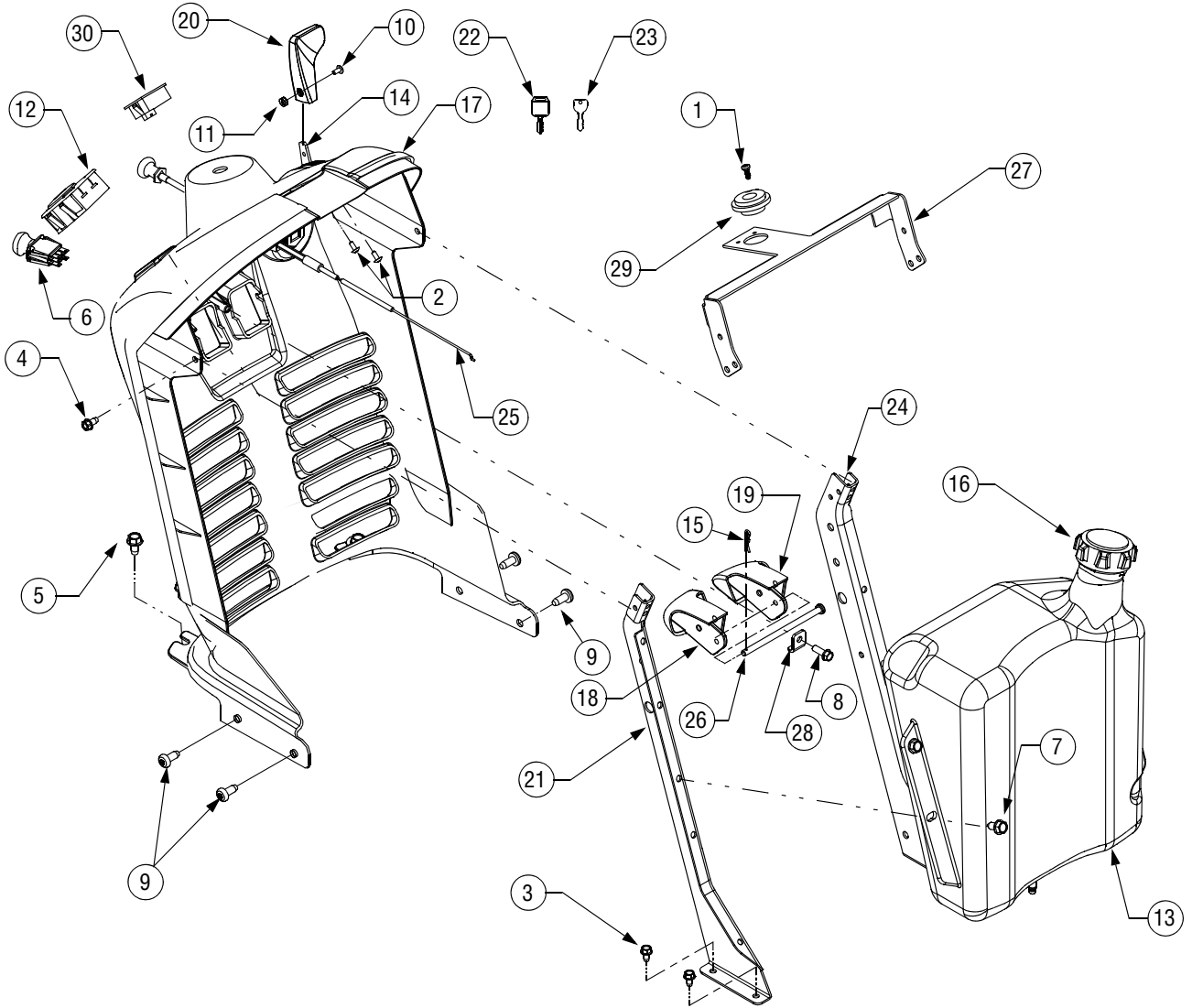
REF. NO.	PART NUMBER	DESCRIPTION	QTY.
1	783-0739A	Lever, Seat, Adjustment	1
2	710-1268	Screw, #10-16, 0.375	2
3	712-04063	Nut, Nylon Lock, 5/16-18, Gr5	2
4	712-04064	Nut, Nylon Lock, 1/4-20 GrF	1
5	720-0433	Grip, Seat, Adjustment (Yellow)	1
6	726-0201	Nut, Speed, .3125 ID	2
7	731-04074	Spacer, Seat, Adjustment	4
8	732-0499	Spring, Compression .41 x 1.50	1
9	732-1184	Spring, Extension, .80 Dia x 4.6	1
10	783-0738D	Bracket, Seat Pivot	1
11	757-04054	Seat, <i>Cub Cadet</i> , Medium Back	1
12	783-0753	Selector, Seat, Adjustment	1
13	736-0204	Washer, Flat, .344 x .620 x .033	1
14	736-3019	Washer, Flat, .531 x 1.062 x .134	2
15	738-0137A	Screw, Shlder, .340 x .285, 1/4-20	1
16	738-0296	Shoulder, Screw .437 x .286 Lg	2
17	738-0966A	Screw, Shoulder, .50 x .925, 3/8-16	4
18	783-0209D	LH Bracket, Seat Lift	1
19	783-0611	Stop, Seat, Adjustment	1
20	710-0227	Screw, #8-18 x .50	2
21	726-0279	Plate, Insulator	2
22	725-1303	Spring Switch, Outer	1
23	725-1439	Spring Switch, Inner	1
24	726-0278	Plate, Insulator Boss	1

ENGINE ACCESSORIES



REF. NO.	PART NUMBER	DESCRIPTION	QTY.
1	710-0227	Screw, #8-18, 0.500	4
2	710-0599	Screw, Hex, 1/4-20, 0.500	8
3	710-0726	Screw, Hex, 5/16-12 x .75	2
4	710-0654A	Screw, Hex, 3/8-16 x 1.00	4
5	751-0617A	Muffler, Single Inlet	1
6	725-0157	Cable, Tie, 3/16 x .05 x 7.4	2
7	710-1314A	Screw, 5/16-18, 0.75	2
8	751-10353	Extension, Deflector	1
9	710-0642	Screw, Hex, 1/4-20, 0.750	4
10	751-0564A	Deflector, Muffler	1
11	783-04573	Muffler Bracket, LH	1
12	783-04574	Muffler Bracket, RH	1
13	751-10017	Pipe, Exhaust	1
14	751-10517	Drain, Oil	1
15	751-3141	Extension Hose, Oil Drain	1
16	783-05410	Heat Shield, Lower	1
17	783-04256	Shield, Muffler	1
18	728-04000	Rivet, Pop, .188 x .325	1
19	726-0205	Fuel Clamp	2
20	751-10349	Fuel Line, Low Permeation	1
21	726-0272	Clamp, 9/16	1

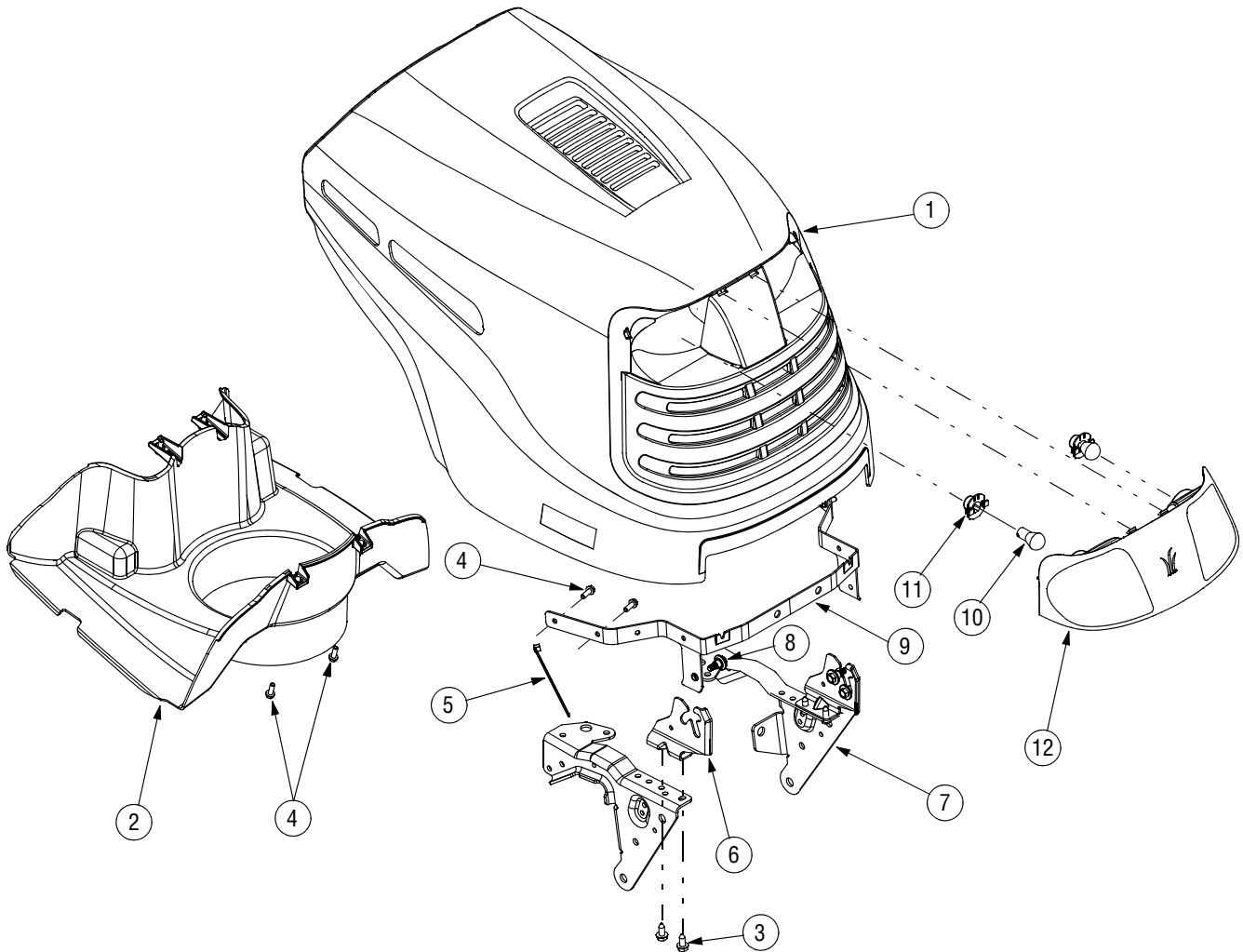
DASH PANEL



DASH PANEL

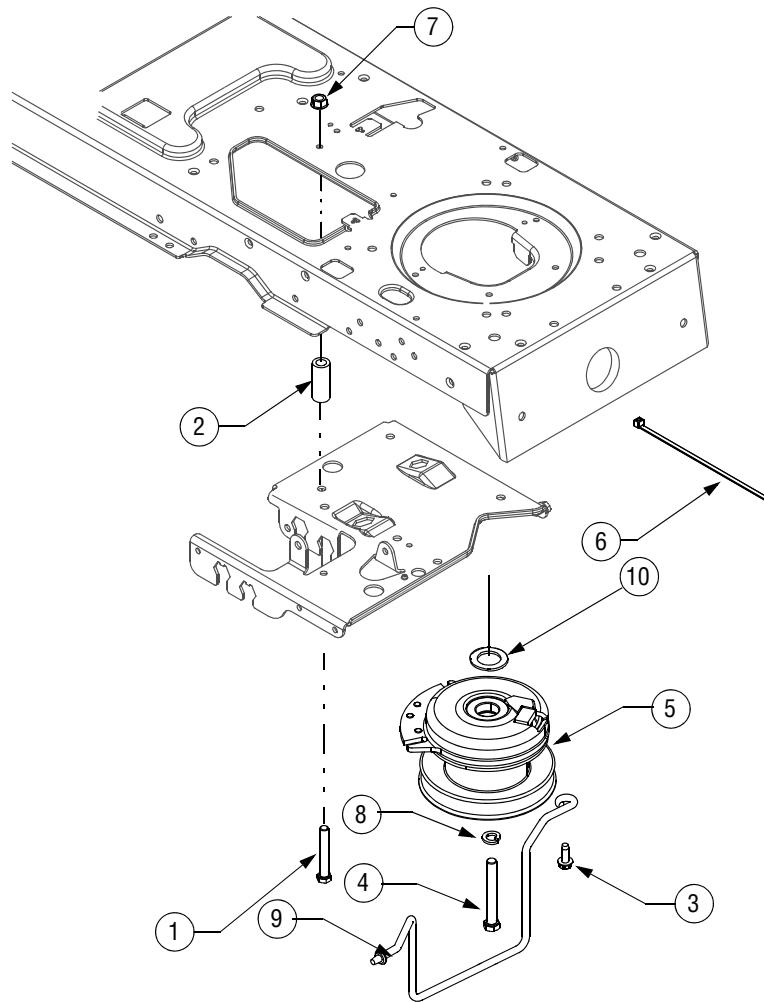
REF. NO.	PART NUMBER	DESCRIPTION	QTY.
1	710-0351	Screw, #10-16 x .50	1
2	710-0192	Screw, #10-24 x .375	2
3	710-0599	Screw, Self-tapping, 1/4-20, 0.5	4
4	710-0653	Screw, Hex. 1/4-20 x .375	6
5	710-0607	Screw, Hex, 5/16-18, .50	2
6	725-04258	Switch, PTO	1
7	710-0726	Screw, Hex, 5/16-12 x .75	4
8	710-0895	Screw, 1/4-15, 0.750	1
9	710-1611B	Screw, Torx Hd. , 5/16-18 x .75	4
10	710-3217	Screw, Machine, #8-32, 0.375,	1
11	712-0142	Nut, #8-32	1
12	725-04227B	Switch Module, Ignition	1
13	751-0658E	Fuel Tank, 3 Gal	1
14	746-1087	Control, Throttle, 27.4	1
15	714-0104	Internal Cotter Pin, .072 x 1.13	1
16	751-0603	Cap, Fuel	1
17	731-05004	Dash	1
18	731-04294A	Lever, Dash, Cruise	1
19	731-04293A	Lever, Dash, Brake	1
20	731-3161A	Knob, Throttle Control	1
21	783-04285E	Dash Support, RH	1
22	725-2054	Ignition Key, Plastic	1
23	725-1744	Ignition Key, Metal	1
24	783-04323D	Dash Support, LH	1
25	746-04121	Control, Choke, 24.0	1
26	747-1323A	Rod, .250 Dia x 4.25 Lg.	1
27	783-05070	Bracket, Steering Support	1
28	783-1499	Bracket, Dash Rod	1
29	741-0587	Steering Colume Bearing	1
30	725-04022B	Monitor, Systems Indicator / Hour	1
—	725-04404	Wire Harness	1

HOOD & GRILLE



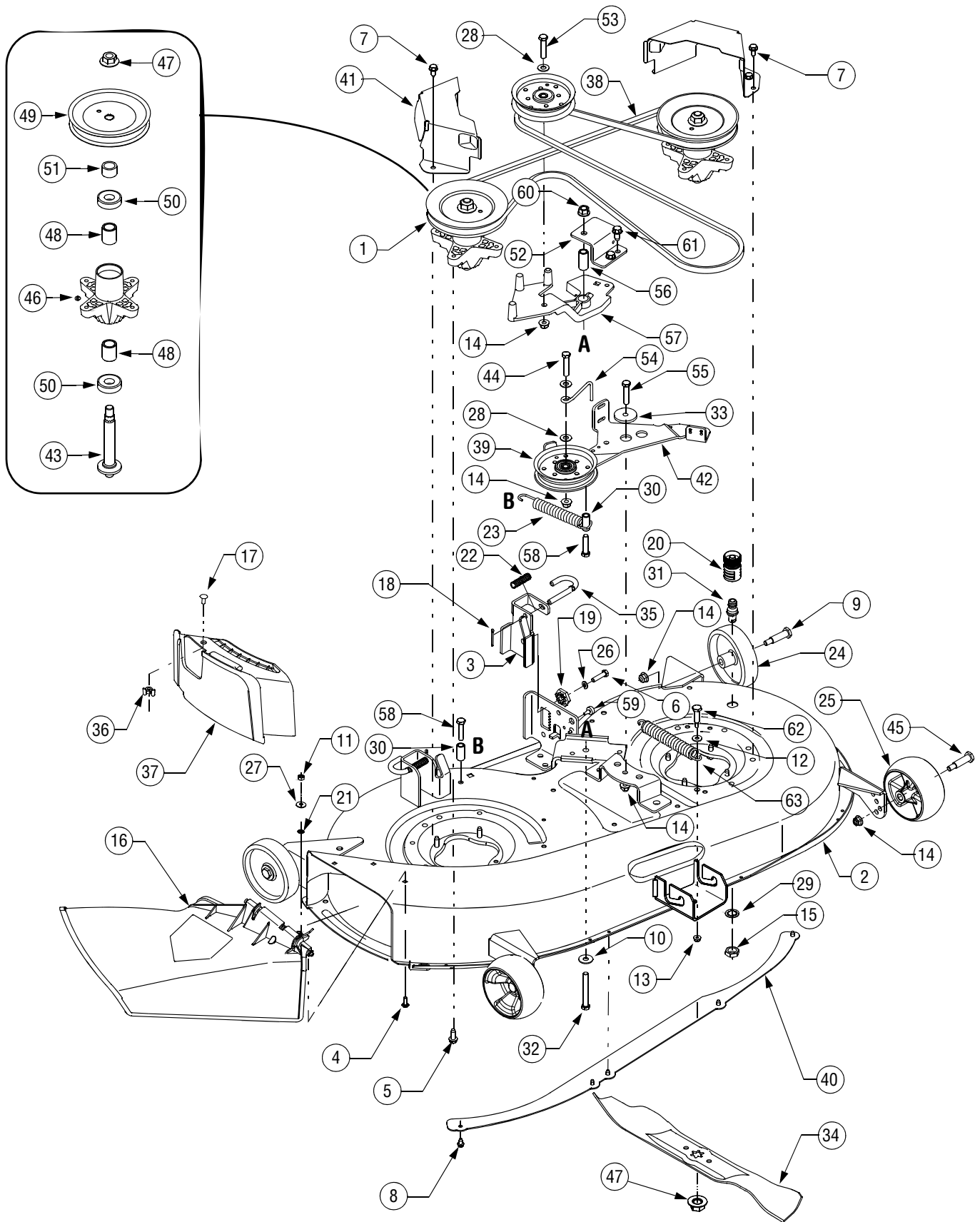
REF. NO.	PART NUMBER	DESCRIPTION	QTY.
1	731-04567A	Hood	1
2	731-04569A	Hood Plenum	1
3	710-0726	Self-tapping Screw, 5/16-18 x .625	4
4	710-0895	Screw, 1/4-15 x .75	8
5	725-0157	Cable Tie	1
6	783-04840	Pivot Bracket, Hood, RH	1
7	783-04841	Pivot Bracket, Hood, LH	1
8	738-04091	Shoulder Screw, .43 x .29 x 5/16-18	2
9	783-04606B	Pivot Bracket	1
10	725-0963	Miniature Lamp, 12 V	2
11	725-1649	Lamp Socket	2
12	731-04577	Headlight Lens	1
-	777X41562	Headlight Lens Reflector, RH	1
-	777X41563	Headlight Lens Reflector, LH	1
-	629-04083A	Headlight Harness	1

POWER TAKE-OFF (PTO) SYSTEM



REF. NO.	PART NUMBER	DESCRIPTION	QTY.
1	710-3011	Screw, 3/8-16 x 2.25 GR5	1
2	748-0415B	Spacer, 3/8 x 1.54	1
3	710-1260A	Screw, 5/16-18, .75	1
4	710-3157A	Screw, Hex Cap, 7/16-20 x 3.25 GR5	1
5	717-04163	Clutch, PTO	1
6	725-0157	Cable Tie	1
7	712-04065	Nut, Hex. Nylon Lock, 3/8-16	1
8	736-0171	Washer, Lock, 7/16, Regular Duty	1
9	747-04307	Rod, Belt Keeper	1
10	736-0277	Washer, Flat, 1.031 x 1.62 x .095	1

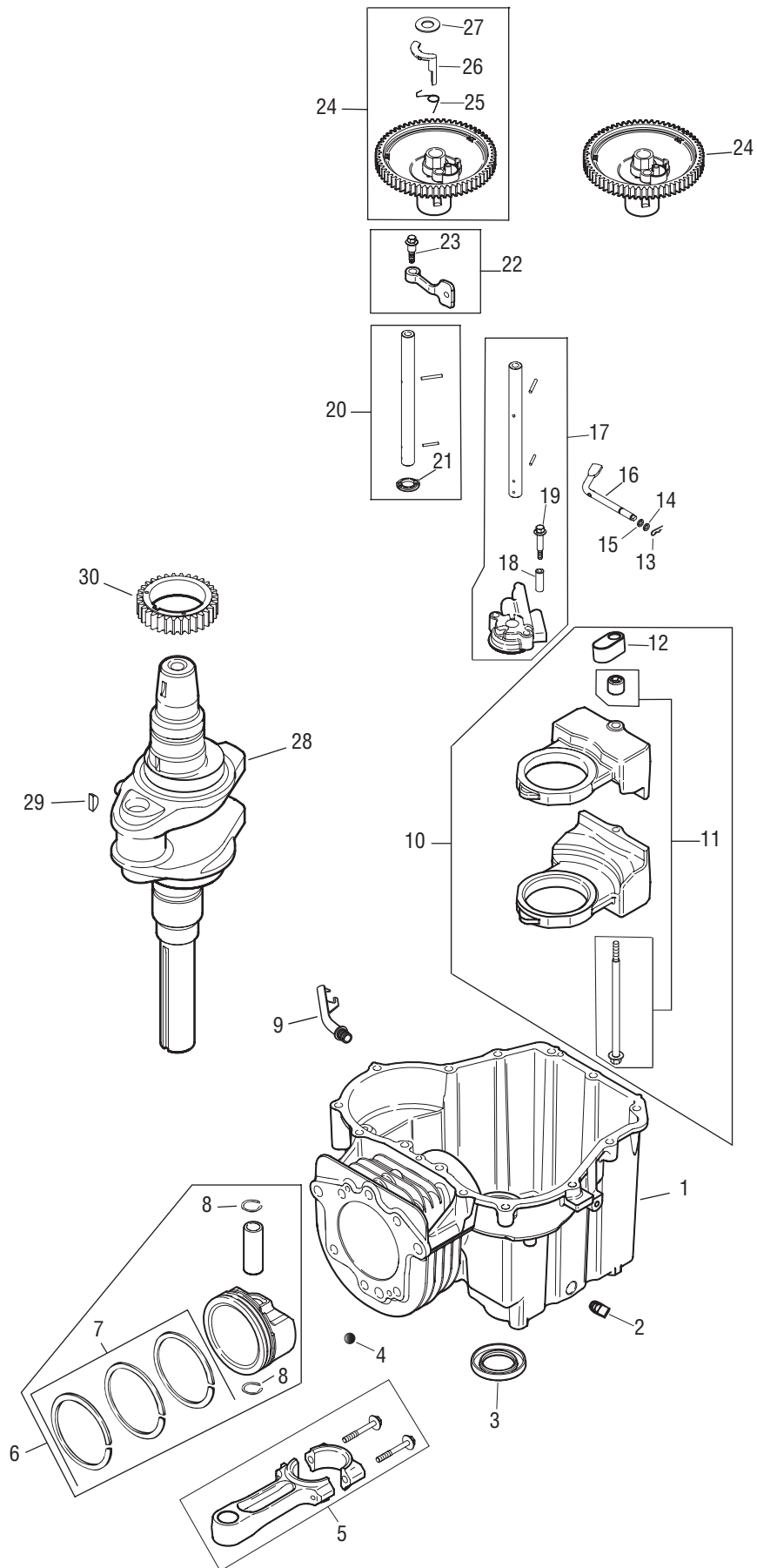
42-INCH MOWER DECK



42-INCH MOWER DECK

REF. NO.	PART NUMBER	DESCRIPTION	QTY.	REF. NO.	PART NUMBER	DESCRIPTION	QTY.
1	618-04461	Spindle Assembly	2	33	738-04162A	Spacer, Shoulder, .8840 x .190	1
2	683-04262	Deck Weldment, 42 inch	1	34	742-04126	Blade, 21.20 Lg, 3-in-1	2
3	683-0254B	Bracket, Deck Hanger LH	1	35	747-1116	Rod, Handle, Deck Release .375	2
4	710-3015	Screw, Hex Cap, 1/4-20, .750, Gr5	2	36	712-3087	Wing Nut, 1/4-20	1
5	710-1260A	Screw, Self-tapping, 5/16-18 x .750	8	37	731-2363	Baffle, Mulch	1
6	710-0528	Screw, Self-tapping, 5/16-18 x 1.25	1	38	754-04045	Belt, V-Type	1
7	710-0726	Screw, Self-tapping, 5/16-12 x .75	6	39	756-04129	Pulley, Idler, 4.25 Dia.	2
8	710-0599	Screw, Self-tapping, 1/4-20 x .50	5	40	783-1146A	Skirt, Deck	1
9	738-0373	Screw, Shoulder, .498 x 1.53, 3/8-16	2	41	783-04327B	Cover, Belt	2
10	736-0322	Washer, Flat, .450 x 1.25 x .164	1	42	783-04491D	Idler Bracket, Pivot	1
11	712-3006	Nut, Hex, 1/4-20, Gr5	2	43	738-04241	Shaft, Spindle, 5.5	2
12	736-0173	Washer, Flat, .28 x .74 x .063	1	44	710-3144	Screw, 3/8-16, 2.0	1
13	712-04064	Nut, Hx. Nylon Lock, 1/4-20	1	45	738-3056	Screw, Shoulder, .498 x 2.50, 3/8-16	2
14	712-04065	Nut, Hx. Nylon Lock, 3/8-16	8	46	737-3000	Lube Fitting, 3/16	2
15	712-0641	Nut, Hex, M16-1.5	1	47	712-0417A	Nut, Flange, 5/8-18	4
16	731-1032B	Chute Assembly, Side Discharge	1	48	750-1000	Spacer, 1.322	4
17	710-0134	Carriage Screw, 1/4-20, .62	1	49	756-1227	Pulley, 6.3 Dia.	2
18	714-0470	Pin, Cotter, 1/8 x 1.25	2	50	741-0919	Ball Bearing, .787 x 1.85 x .551	4
19	717-04074	Adjustment Gear, Deck	1	51	748-04739	Spacer, .820 x 1.15 x .730	1
20	721-04041	Coupler, Hose	1	52	783-05490	Support Bracket, Pivot	1
21	726-0233	Nut, Push, .25 ID x .50 OD	2	53	710-0347	Screw, 3/8-16, 1.75	1
22	732-0306A	Spring, Extension, .531 x 1.75	1	54	747-04530	Keeper Rod, Belt	1
23	732-04391	Spring, Extension .94 x 7.57	1	55	710-3005	Screw, 3/8-16, 1.25	1
24	734-0973	Wheel Deck 5.0 x 1.38	2	56	750-04637A	Spacer, .455 x .697 x 1.585	1
25	734-04155	Wheel Deck 5.0	2	57	719-04233	Idler Bracket, Cast	1
26	736-0119	Washer, Lock, 5/16, Regular Duty	1	58	710-0778	Screw, Self-tapping, 1/4-20 x 1.50	2
27	736-0270	Washer, Belleville, .265 x .75 x .062	2	59	735-0271A	Bumper, Rubber	2
28	736-0300	Washer, Flat, .406 x .875 x .059	2	60	712-0459	Nut, Flange Lock, 7/16-20	1
29	736-0225	Washer, Lock, Internal Tooth	1	61	710-0623	Screw, Self-tapping, 3/8-16 x .75	2
30	750-0566A	Spacer, .260 x .372 x 1.030	2	62	738-04272	Screw, Shoulder, .374 x 1.16	1
31	737-04003C	Port, Water	1	63	732-0459C	Spring, Extension .94 x 6.74	1
32	710-0510	Screw, Hex Cap, 3/16-20, 3.0	1				

ENGINE — CRANKCASE

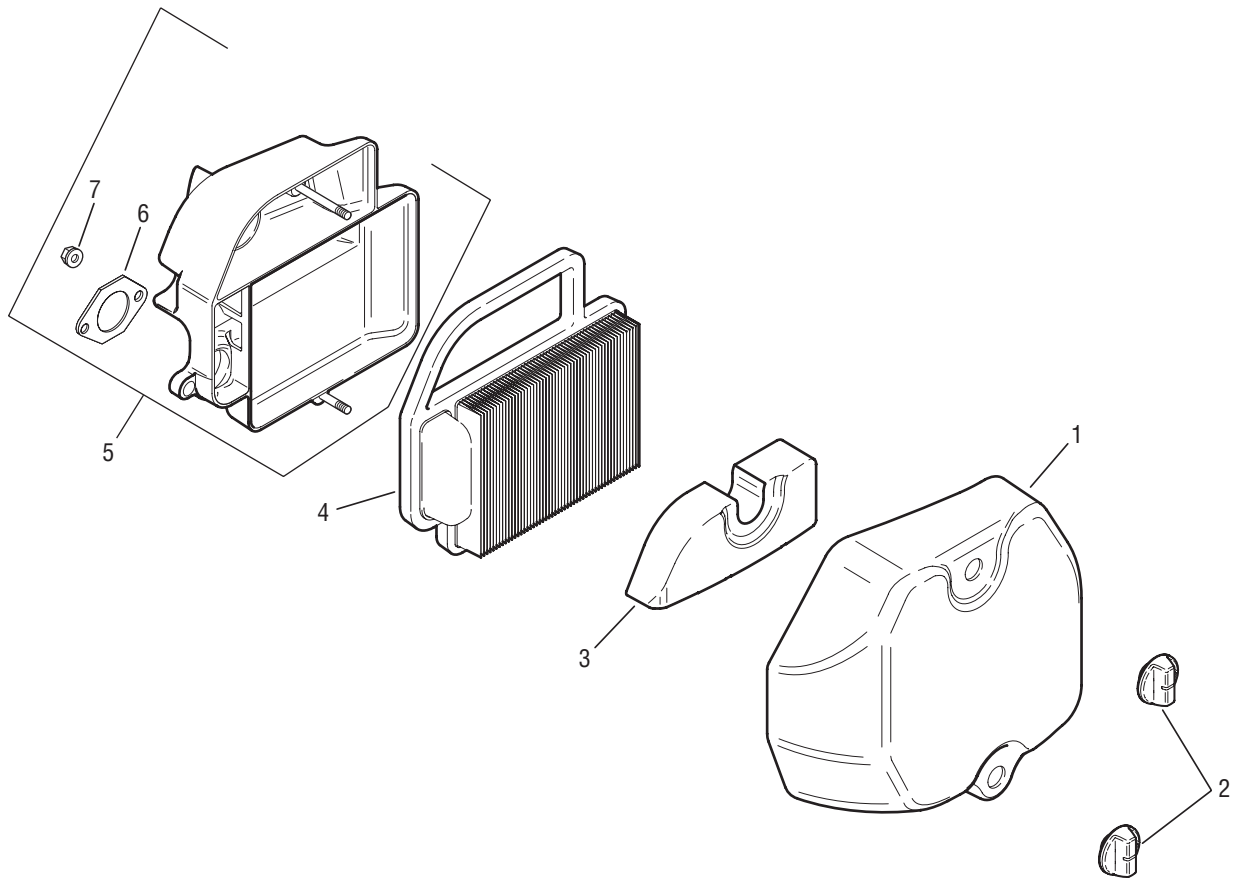


ENGINE — CRANKCASE

REF. NO.	PART NUMBER	DESCRIPTION	QTY.
1	—	Crankcase (Use: Short Block 20 522 02)	1
2	25 139 57-S	Plug, sq. hd. pipe 3/8"	1
3	20 032 01-S	Seal, oil	1
4	20 067 04-S	Rod, connecting	1
5	20 874 05-S	Piston w/ Ring Set (Includes 7,8)	1
6	20 108 02-S	Ring Set (89 mm)	1
7	20 018 04-S	Retainer, piston pin	2
8	20 123 02-S	Tube, drainback	1
9	20 755 04-S	Kit, balance weight (Includes 10,11)	1
10	20 086 16-S	Kit, screw/guide pin	1
11	20 423 02-S	Shoe, guide	1
12	12 154 05-S	Clip, hitch pin	1
13	M-631015-S	Washer, plain	1
14	X-25-102-S	Washer, plain	1
15	20 144 02-S	Shaft, governor cross	1
16	20 393 02-S	Pump assembly, oil (Includes 17-19)	1
17	20 112 02-S	Spacer, oil pump screw	2
18	20 086 13-S	Screw, oil pump	2
19	20 144 06-S	Shaft center, cam – Exhaust	1
20	20 468 01-S	Washer, thrust	1
21	20 090 01-S	Lever assembly, cam (2) (Includes 23)	1
22	20 086 06-S	Screw, shoulder	1
23	20 010 04-S	Gear assembly, cam – Exhaust (Includes 24-26)	1
24	20 089 06-S	Spring, ACR	1
25	20 044 16-S	Weight, ACR	1
26	20 468 03-S	Washer, thrust – ACR	2
27	20 010 04-S	Gear assembly, cam – Intake	1
28	20 014 20-S	Crankshaft (Includes 2)	1
29	X-42-15-S	Key 3/16"	1
30	20 043 12-S	Gear, crankshaft	1

NOTE: Include a KH- prefix when ordering replacement engine parts (i.e. KH-24 164 51-S).

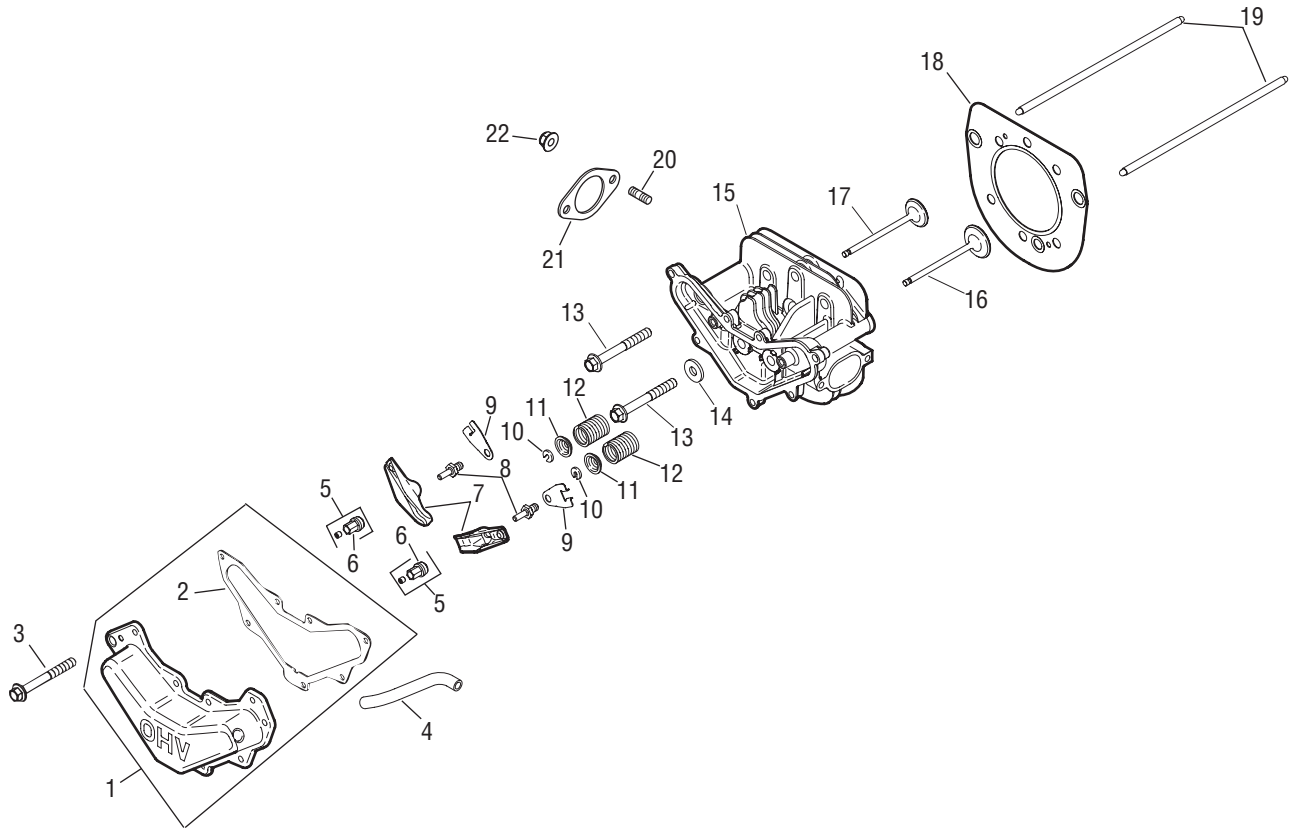
ENGINE — AIR INTAKE / FILTRATION



REF. NO.	PART NUMBER	DESCRIPTION	QTY.
1	20 096 04-S	Cover, air cleaner	1
2	25 341 04-S	Knob, cover	2
3	20 083 03-S	Element, precleaner	1
4	20 083 02-S	Element, air cleaner	1
5	20 094 01-S	Kit, air cleaner base (Includes 6)	1
6	12 041 02-S	Gasket, air cleaner base	1

NOTE: Include a KH- prefix when ordering replacement engine parts (i.e. KH-24 164 51-S).

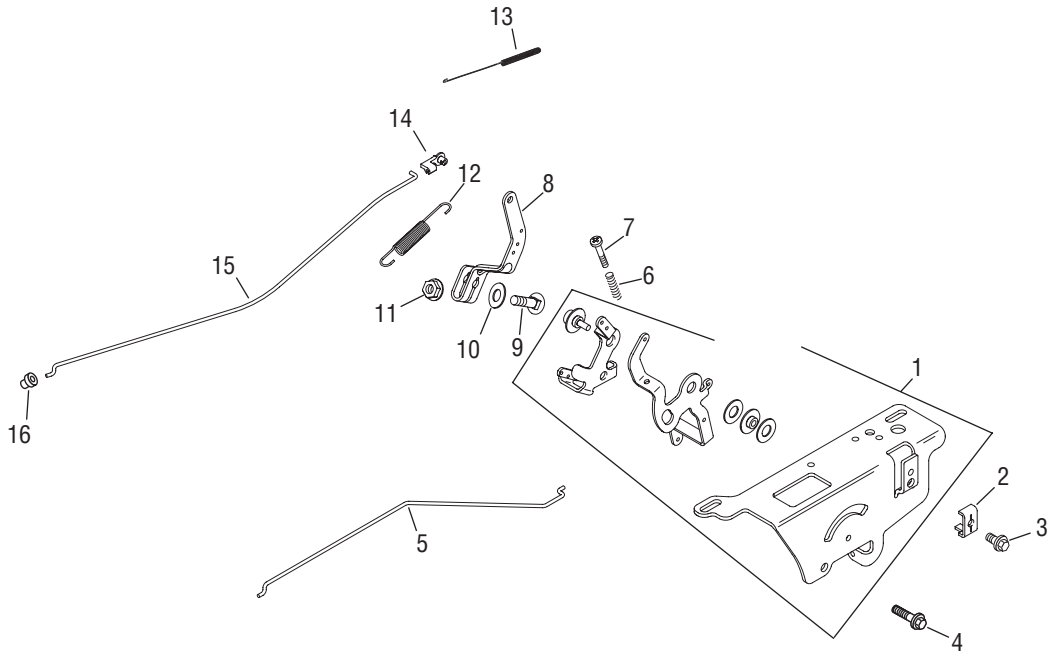
ENGINE — CYLINDER HEAD



REF. NO.	PART NUMBER	DESCRIPTION	QTY.
1	20 096 07-S	Kit, valve cover (Includes 2)	1
2	20 041 04-S	Gasket, valve cover	1
3	M-645020-S	Screw, hex. flange M6x1.0x20	7
4	20 326 01-S	Hose, breather	1
5	20 086 04-S	Screw, set	2
6	20 599 01-S	Pivot, rocker arm	2
7	20 186 01-S	Arm, rocker	2
8	20 086 03-S	Stud, rocker	2
9	20 146 03-S	Plate, push rod guide	2
10	20 062 01-S	Lock, retainer	2
11	20 173 01-S	Cap, valve spring	2
12	20 089 03-S	Spring, valve	2
13	20 086 02-S	Screw, hex. flange M10x1.5x37	6
14	12 468 05-S	Washer, flat 1/2"	1
15	20 318 01-S	Head, cylinder	1
16	20 016 01-S	Valve, exhaust	1
17	20 017 01-S	Valve, intake	1
18	20 841 02-S	Kit, head gasket (Includes 13, 14, 12 041 01-S, 12 041 02-S & 20 041 07-S)	1
19	20 411 04-S	Rod, push	2
20	25 072 04-S	Stud, exhaust	2
21	20 041 12-S	Gasket	1
22	M-841080-S	Nut, hex flange M8x1.25	2

NOTE: Include a KH- prefix when ordering replacement engine parts (i.e. KH-24 164 51-S).

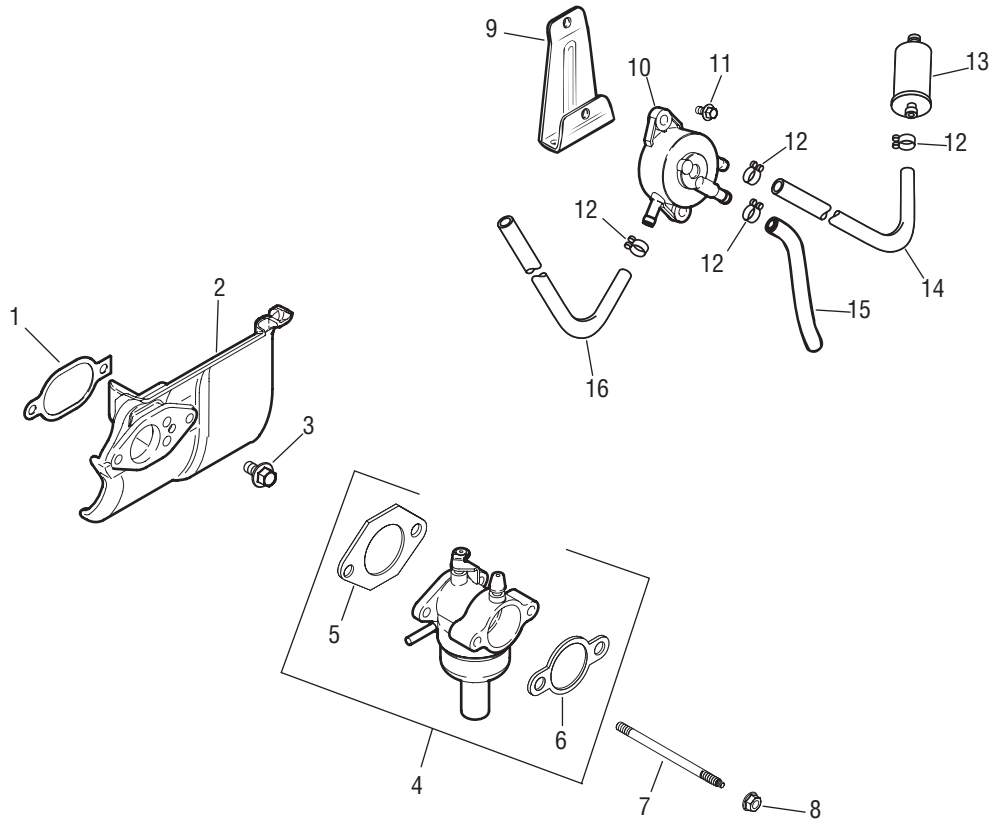
ENGINE — ENGINE CONTROLS



REF. NO.	PART NUMBER	DESCRIPTION	QTY.
1	20 536 05-S	Control assembly, speed (Includes	1
2	12 237 01-S	Clamp, cable	2
3	M-545016-S	Screw, hex flange thread forming	2
4	M-664020-S	Screw, 6 lobed socket thread forming	2
5	20 079 05-S	Linkage, choke – single wire	1
6	12 089 11-S	Spring, speed control	1
7	20 086 10-S	Screw, thread forming M4x0.7x25	1
8	20 090 02-S	Lever, governor	1
9	52 211 04-S	Bolt, round head square neck 1/4-20x1"	1
10	X-22-11-S	Washer, internal tooth lock 1/4"	1
11	12 100 07-S	Nut, hex. flange 1/4-20"	1
12	20 089 11-S	Spring, governor	1
13	20 089 10-S	Spring, linkage	1
14	25 158 11-S	Bushing, throttle linkage	1
15	20 079 04-S	Linkage, throttle	1
16	25 158 08-S	Bushing, linkage retaining	1

NOTE: Include a KH- prefix when ordering replacement engine parts (i.e. KH-24 164 51-S).

ENGINE — FUEL SYSTEM



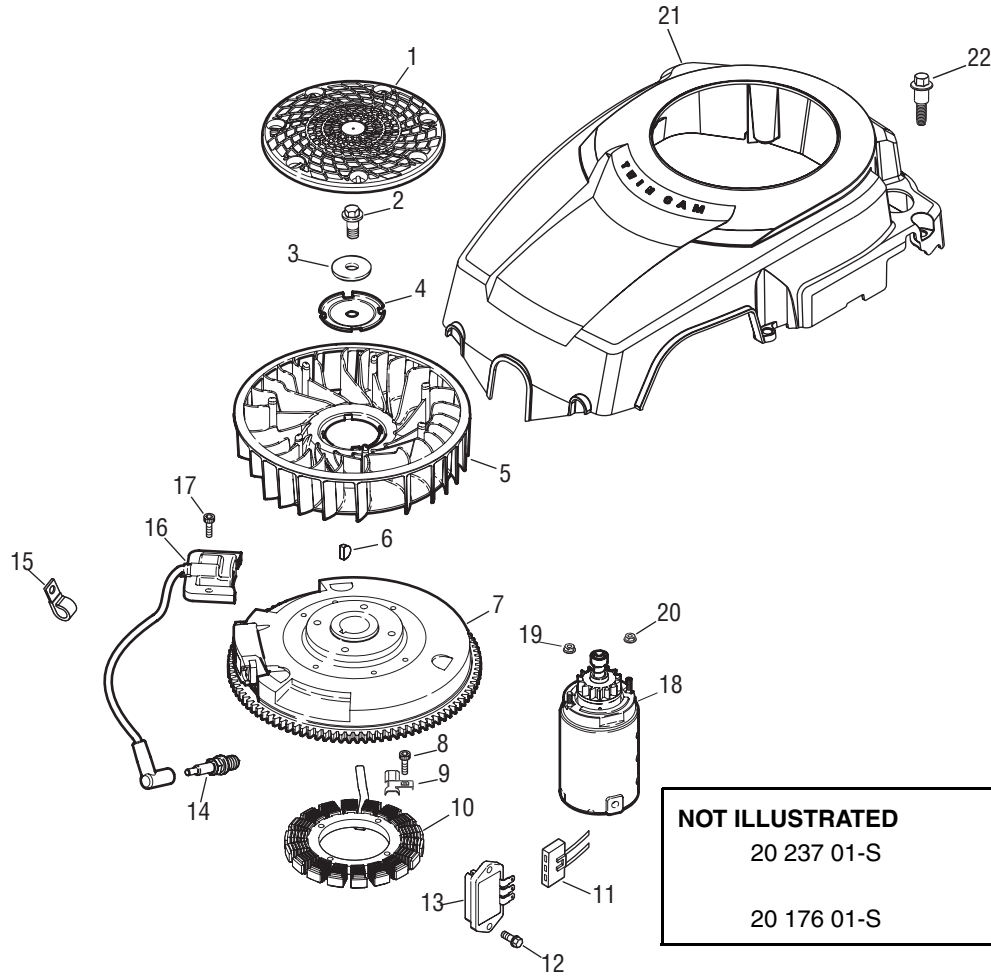
NOT ILLUSTRATED

20 431 01-S	Sleeve, fuel line
X-22-11-S	Washer, lock 1/4" (ground)
12 755 110-S	Kit, choke shaft
12 757 02-S	Kit, float
12 757 03-S	Kit, carburetor repair
12 757 33-S	Kit, solenoid repair
12 757 37-S	Kit, bowl replacement w/gaskets
12 454 03-S	Tie, wire

REF. NO.	PART NUMBER	DESCRIPTION	QTY.
1	20 041 07-S	Gasket, heat deflector	1
2	20 265 01-S	Deflector, heat	1
3	M-651020-S	Screw, hex. flange M6x1.0x20	1
4	20 853 16-S	Carburetor w/gaskets (Includes 5,6)	1
5	12 041 01-S	Gasket, carburetor	1
6	12 041 02-S	Gasket, air cleaner	1
7	20 072 05-S	Stud, carburetor mounting	1
8	M-641060-S	Nut, hex. flange M6x1.0	2
9	20 126 02-S	Bracket, fuel pump mounting	1
10	24 393 16-S	Pump, fuel	1
11	M-545010-S	Screw, hex. flange	1
12	25 237 14-S	Clamp, hose	6
13	25 050 22-S	Filter, fuel	1
14	20 353 01-S	Line, fuel 15-3/4" (pump to filter)	1
15	41 353 15-S	Line, fuel 2" (pump to carb)	1
16	52 353 20-S	Line, fuel 10" (pump to fitting)	1

NOTE: Include a KH- prefix when ordering replacement engine parts (i.e. KH-24 164 51-S).

ENGINE — IGNITION / ELECTRICAL & BLOWER HOUSING

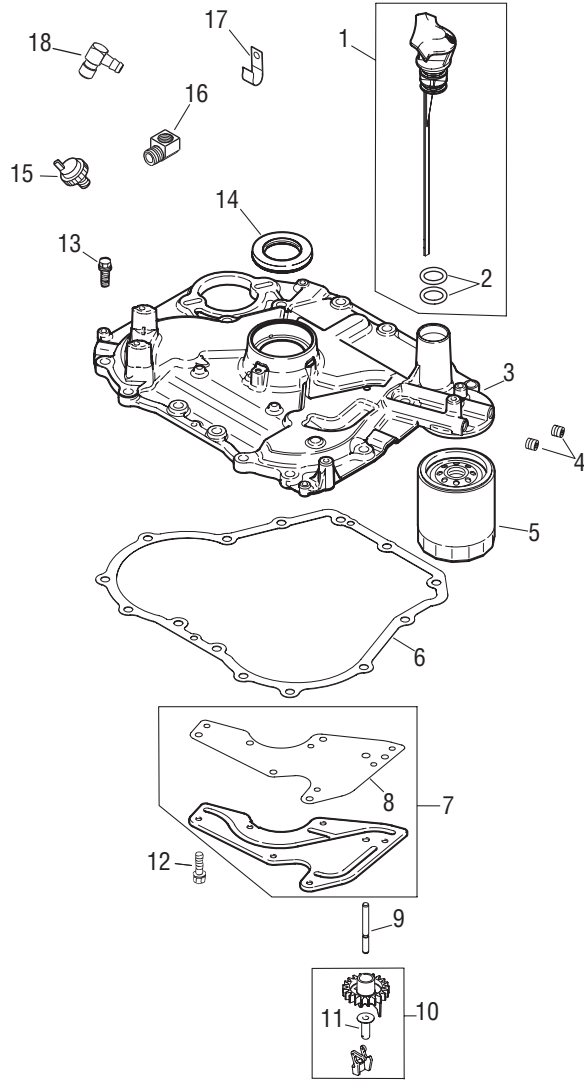


NOT ILLUSTRATED		
20 237 01-S	Clamp, wire (clamps harness to blower housing)	
20 176 01-S	Harness, wiring	

REF. NO.	PART NUMBER	DESCRIPTION	QTY.
1	20 162 02-S	Screen, grass	1
2	12 086 14-S	Screw, hex. flange M10 x 1.5 x 46	1
3	12 468 03-S	Washer, flat	1
4	20 146 02-S	Plate, fan mounting	1
5	20 157 01-S	Fan	1
6	X-42-15-S	Key, woodruff	1
7	20 025 05-S	Flywheel	1
8	20 086 17-S	Screw, hex. socket M5 x 0.8 x 25	2
9	20 154 02-S	Clip, wire	1
10	237878-S	Kit, stator	1
11	236602-S	Connector, body (3 contact)	1
12	M-545020-S	Screw, hex. flange M5 x 0.8 x 20	2
13	41 403 09-S	Rectifier-regulator	1
14	12 132 02-S	Plug, spark	1
15	231285-S	Clip, cable	2
16	20 584 01-S	Module, ignition	1
17	M-561025-S	Screw, hex. socket M5 x 0.8 x 25	2
18	20 098 01-S	Starter assembly, inertia drive	1
19	25 100 31-S	Nut, hex. serrated flange #10-24	2
20	12 100 07-S	Nut, hex. flange 1/4-20	1
21	20 027 06-S	Housing, blower	1
22	20 086 06-S	Screw, shoulder M5 x 0.8 x 36	4

NOTE: Include a KH- prefix when ordering replacement engine parts (i.e. KH-24 164 51-S).

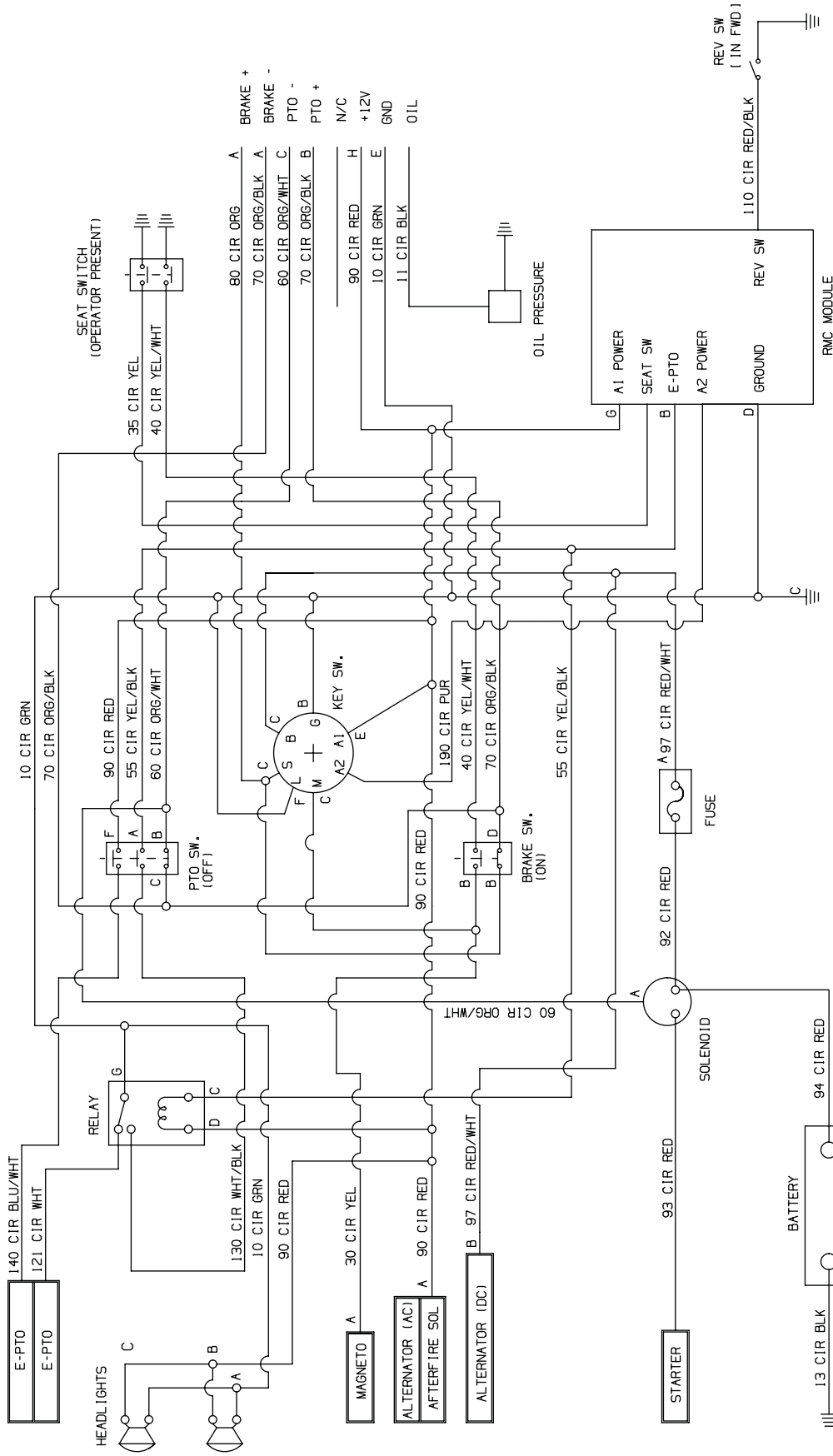
ENGINE — OIL PAN / LUBRICATION



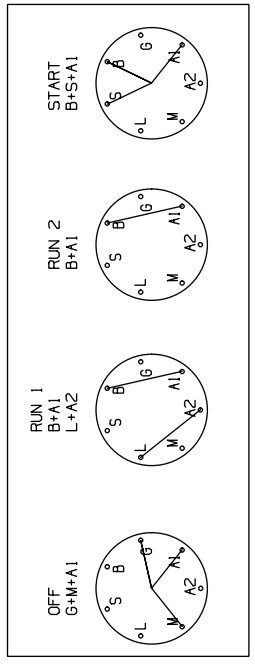
REF. NO.	PART NUMBER	DESCRIPTION	QTY.
1	20 040 03-S	Kit, dipstick assembly (Includes 2)	1
2	20 153 01-S	O-Ring, dipstick	1
3	20 009 03-S	Plate assembly, closure (Includes 4,10,11)	1
4	25 139 60-S	Plug, pipe	2
5	12 050 01-S	Filter, oil	1
6	20 041 01-S	Gasket, closure plate	1
7	20 096 02-S	Kit, oil passage cover (Includes 8)	1
8	20 041 02-S	Gasket, oil passage	1
9	20 144 03-S	Shaft, governor gear	1
10	20 310 03-S	Kit, gear and weight assembly (Includes 11)	1
11	12 380 01-S	Pin, governor regulating	1
12	M-545013-S	Screw, hex. flange M5x0.8x13	6
13	M-851030-S	Screw, hex. flange M8x1.25x30	14
14	20 032 01-S	Seal, oil	1
15	25 099 24-S	Switch, pressure	1
16	25 054 13-S	Elbow, street	1
17	231285-S	Clip, cable	1
18	25 155 02-S	Connector, 90°	1

NOTE: Include a KH- prefix when ordering replacement engine parts (i.e. KH-24 164 51-S).

ELECTRICAL SCHEMATIC



BRAKE +
 BRAKE -
 PTO -
 PTO +
 N/C
 +12V
 GND
 OIL



NOTES

CUB CADET LLC, P.O. BOX 361131 CLEVELAND, OHIO 44136-0019