

## MODEL GT2554

### TABLE OF CONTENTS

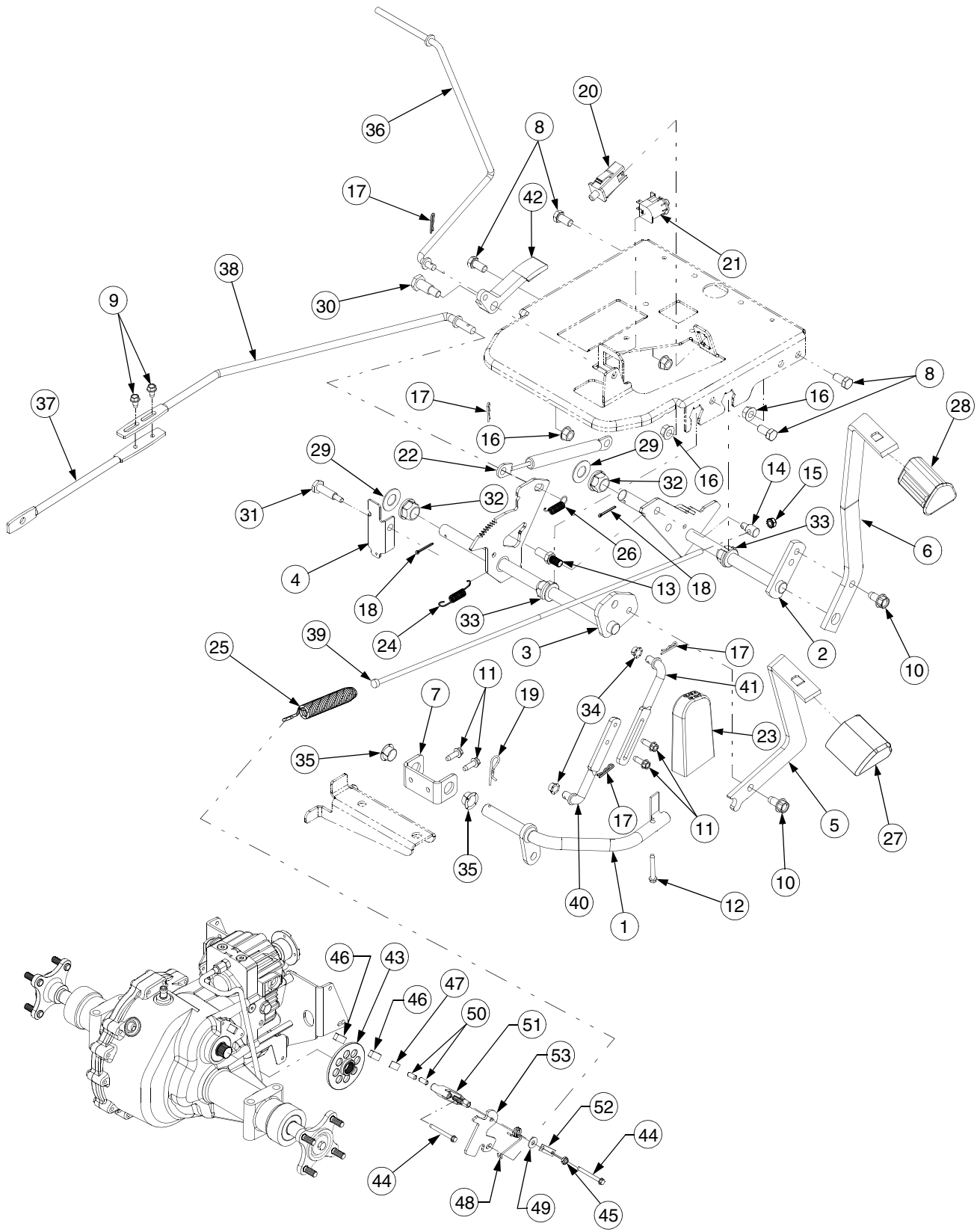
DESCRIPTION	PAGE	DESCRIPTION	PAGE
Axle, Front .....	34	Engine Mounting .....	16
Battery .....	11	Fender .....	30
Brakes .....	2	Frame .....	14
Controls		Fuel Tank .....	15
Engine .....	12	Grille .....	28
Pedals .....	2	Hood .....	28
Transmission .....	2	Hydraulic Filter .....	10
Dash Panel .....	12	Neutral Linkage and Hydraulic Tube .....	10
Drawbar .....	14	Hydrostatic Pump .....	8
Drive Line .....	5	Implement Lift Handle .....	32
Electrical		Implement Lift Hanger .....	33
Switches .....	11	Muffler .....	16
Wiring .....	11	PTO Clutch .....	15
Engine		Running Board .....	30
Air Filter .....	22	Seat .....	27
Blower Housing and Baffles .....	17	Steering .....	4
Breather .....	19	Transmission, Hydro .....	6
Carburetor .....	23	Wheels, Front & Rear .....	35
Controls .....	26	54" Mower Deck .....	36
Crankcase .....	18		
Crankshaft .....	20		
Cylinder Head .....	19		
Electrical .....	25		
Exhaust .....	20		
Flywheel .....	25		
Fuel System .....	23		
Oil Pan .....	21		
Starter .....	24		
Valves .....	19		

**NOTE:** For **painted parts**, please refer to the list of color codes below. Please add the applicable color code, wherever needed, to the part number to order a replacement part.

For instance, if a part, numbered 700-xxxx, is painted Cub Yellow, the part number to order would be 700-xxxx-0716.

Cub Yellow: 0716  
 Cub Beige: 0499  
 Cub Blue: 0685  
 Powder Black: 0637

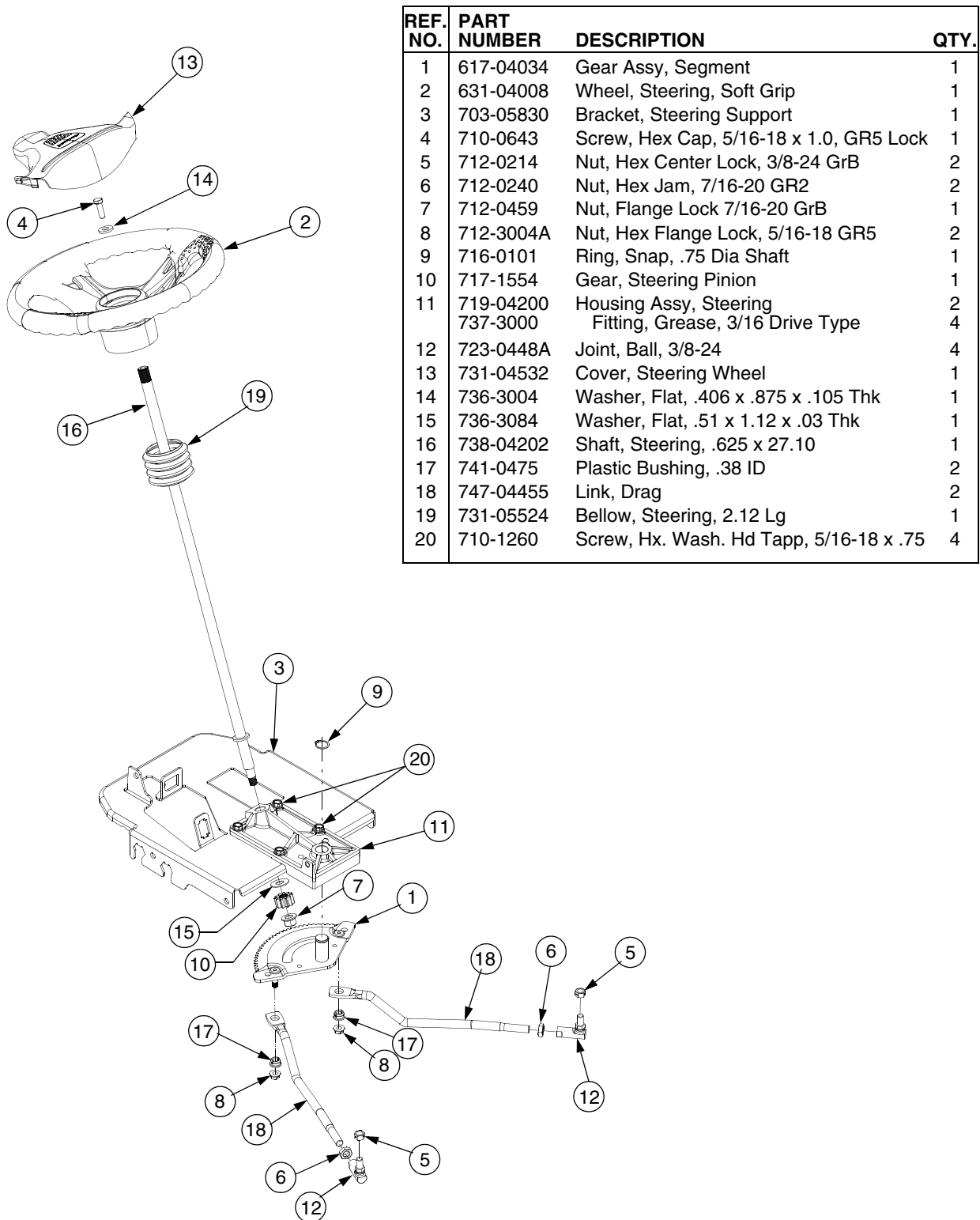
### BRAKE AND CONTROL PEDALS



## BRAKE AND CONTROL PEDALS

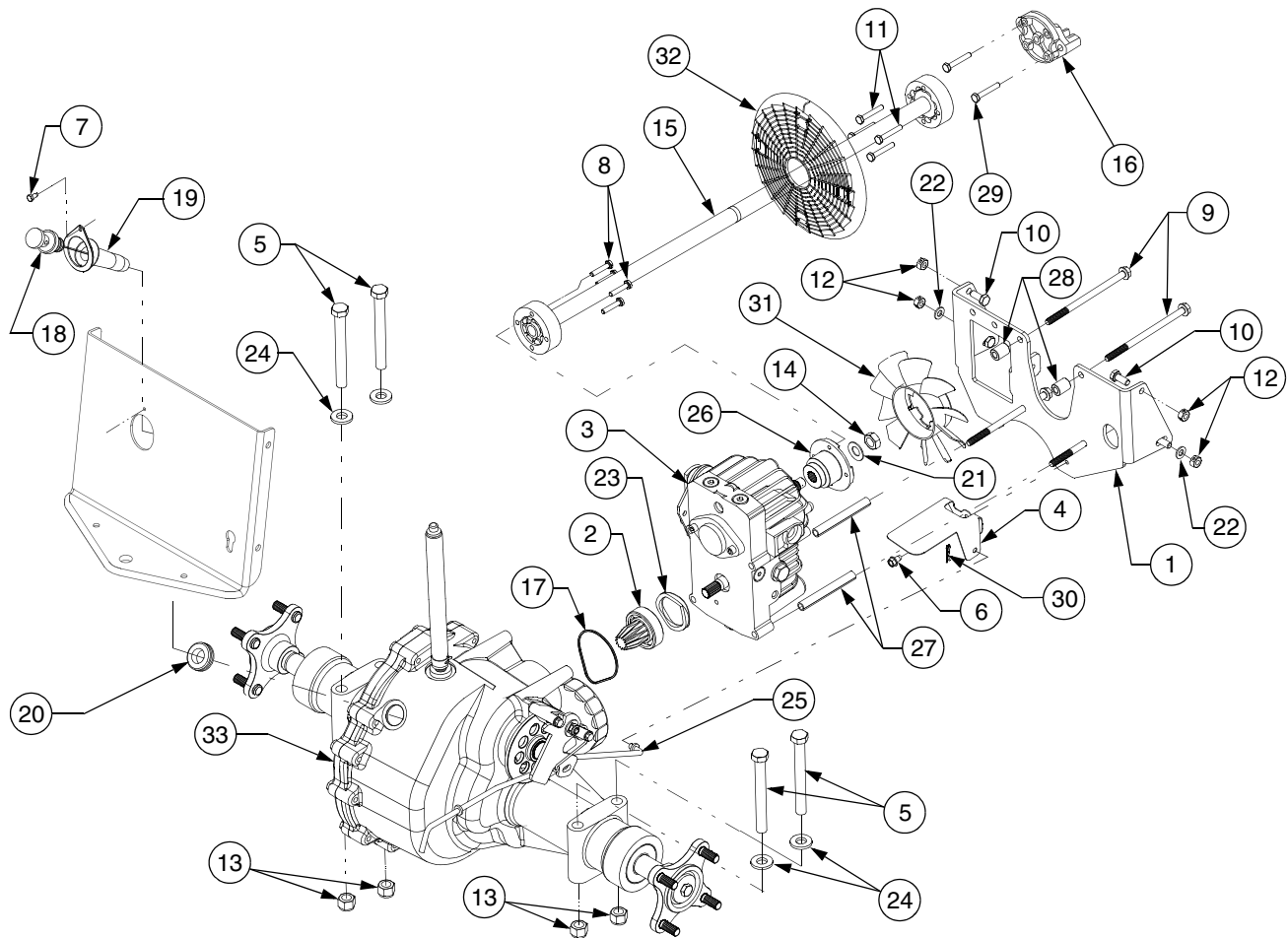
REF. NO.	PART NUMBER	DESCRIPTION	QTY.	REF. NO.	PART NUMBER	DESCRIPTION	QTY.
1	603-0412	Pedal Assy, Reverse	1	27	735-3048	Pad, Forward Foot Control	1
2	603-04313	Shaft Assy, Brake	1	28	735-3049	Pad, Brake Foot	1
3	603-04314	Shaft Assy, Forward/Reverse	1	29	736-0187	Washer, Flat, .64 x 1.24 x .06 HT	2
4	703-05873	Bracket, Reverse Switch	1	30	738-0145	Shoulder Bolt, .50 OD x .840	1
5	703-2570A	Pedal, Forward	1	31	738-0572	Screw, Shoulder, .374 x 1.16	1
6	703-2573A	Pedal, Brake	1	32	741-0225	Bearing, Hex Flange	2
7	703-2938	Bracket, Reverse Pivot	1	33	741-3065B	Bearing, Hex Flange Split	2
8	710-0216	Screw, Hex Cap, 3/8-16 x .75 GR5	4	34	741-3073	Bearing, Flange, .375 x .58 x .25	2
9	710-0599	Screw, Hex Wash Hd Tapp 1/4-20 x .5	2	35	741-3074	Bearing, Flange, .625 x .938 x .344	2
10	710-0623	Screw, Hex Wash Hd Tapp 3/8-16x .75	2	36	747-04426	Rod, Cruise	1
11	710-0642	Screw, Hex Wash Hd Tapp 1/4-20x .75	6	37	747-04478	Rod, Rear F/R Control	1
12	710-0796	Screw, Truss Mach, #12 x 1.5	1	38	747-04479	Rod, Front F/R Control	1
13	711-04543	Pin, 3/8-16 x 1.0	1	39	747-04516	Rod, Brake	1
14	711-0736	Ferrule, Adjustment, 1/4-20 Thrd	1	40	747-3341A	Rod, Rear Connecting	1
15	712-0271	Nut, Hex Sems, 1/4-20	1	41	747-3383	Rod, Front Connecting	1
16	712-0431	Nut, Hex Flange Lock, 3/8-16	4	42	748-04102	Latch, Cruise	1
17	714-0104	Pin, Internal Cotter, 5/16 Dia x 1.12	4	43	761-0215	Disc, Brake	1
18	714-0111	Pin, Cotter, 3/32 x 1.0	2	44	710-1206	Screw, Hex Wash Hd, Tapp, 1/4-20 x 2.375	2
19	714-0145	Pin, Internal Cotter, 3/8 Dia x 1.62	1	45	712-0273	Nut, Hex Nylon Lock, 5/16-24	1
20	725-3164A	Switch, Interlock (Brake)	1	46	717-0678	Pad, Brake	2
21	725-3167	Switch, Snap Mount (Reverse)	1	47	717-0682	Plate, Puck	1
22	727-04141	Cylinder, Damper, .59 OD x 7.84 Lg	1	48	732-0925	Spring, Torsion	1
23	731-3205	Pedal, Reverse	1	49	736-0371	Washer, Flat, .343 x .88 x .062	1
24	732-0418	Spring, Extension, .38 OD x 2.1	1	50	741-0343	Pin, Brake Actuating	2
25	732-0463A	Spring, Extension	1	51	761-0207A	Yoke, Brake	1
26	732-3118	Spring, Extension, .375 OD x 1.44	1	52	761-0208	Bracket, Brake Anti Rotation	1
				53	761-3074	Arm, Brake Actuator	1

**STEERING**



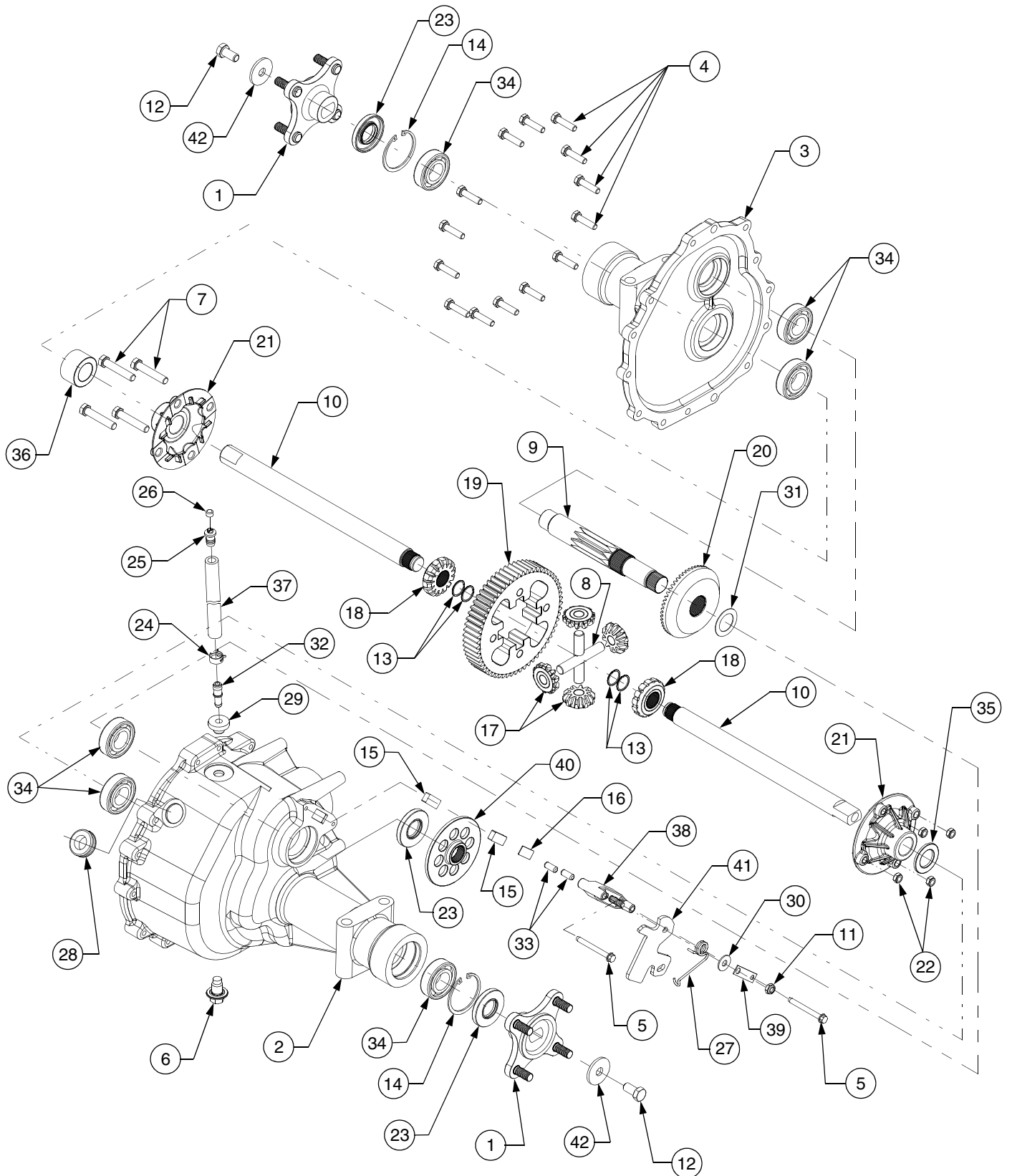
REF. NO.	PART NUMBER	DESCRIPTION	QTY.
1	617-04034	Gear Assy, Segment	1
2	631-04008	Wheel, Steering, Soft Grip	1
3	703-05830	Bracket, Steering Support	1
4	710-0643	Screw, Hex Cap, 5/16-18 x 1.0, GR5 Lock	1
5	712-0214	Nut, Hex Center Lock, 3/8-24 GrB	2
6	712-0240	Nut, Hex Jam, 7/16-20 GR2	2
7	712-0459	Nut, Flange Lock 7/16-20 GrB	1
8	712-3004A	Nut, Hex Flange Lock, 5/16-18 GR5	2
9	716-0101	Ring, Snap, .75 Dia Shaft	1
10	717-1554	Gear, Steering Pinion	1
11	719-04200	Housing Assy, Steering	2
	737-3000	Fitting, Grease, 3/16 Drive Type	4
12	723-0448A	Joint, Ball, 3/8-24	4
13	731-04532	Cover, Steering Wheel	1
14	736-3004	Washer, Flat, .406 x .875 x .105 Thk	1
15	736-3084	Washer, Flat, .51 x 1.12 x .03 Thk	1
16	738-04202	Shaft, Steering, .625 x 27.10	1
17	741-0475	Plastic Bushing, .38 ID	2
18	747-04455	Link, Drag	2
19	731-05524	Bellow, Steering, 2.12 Lg	1
20	710-1260	Screw, Hx. Wash. Hd Tapp, 5/16-18 x .75	4

## DRIVE LINE



REF. NO.	PART NUMBER	DESCRIPTION	QTY.	REF. NO.	PART NUMBER	DESCRIPTION	QTY.
1	603-0707	Bracket, Torque	1	18	727-3195	Dipstick, Transmission	1
2	617-3002	Gear Assembly, Pinion	1	19	731-3294	Holder, Dipstick	1
3	618-3243	Transmission, Hydrostatic	1	20	735-0277A	Grommet, Rubber, .75 x 1.063	1
4	703-4093	Spring Plate, Hydro Dump	1	21	736-0253	Washer, Belleville	1
5	710-0465	Screw, Hex Cap, 1/2-20 x 4.5 GR5	4	22	736-0275	Washer, Flat, .344 x .688 x .065	2
6	710-0599	Scrw, Hx Wsh Hd Tapp, 1/4-20 x .5	1	23	736-0619	Washer, Spring	1
7	710-0919	Scrw, Hx Wsh Hd Tapp, 10-16 x .44	1	24	736-3019	Washer, Flat, .531 x 1.062 x .134	4
8	710-1062	Screw, Hex Patch, 1/4-20 x 1.25 GR5	4	25	747-3417A	Rod, Hydro Dump Valve	1
9	710-1888	Scrw, Hx Hd Tapp, 5/16-18 x 5.25	4	26	748-3093	Adapter, Hydro Pump	1
10	710-3008	Screw, Hex Cap, 5/16-18 x .75 GR5	4	27	750-3349	Spacer, Hydro, .323 x .443 3.51	2
11	710-3288	Screw, Hex Patch, 1/4-20 x 1.62 GR5	4	28	750-3350	Spacer, Hydro, .323 x .600 x .74	2
12	712-3009	Nut, Hex Cntr Lock, 5/16-18	4	29	KH-24-086-16	Screw, Hex Patch, M10-1.5x 90mm	2
13	712-3058	Nut, Hex Nylon Lock, 1/2-20 GR2	4	30	714-0104	Internal Cotter Pin	1
14	712-3059	Nut, Hex Top Lock Jam, 1/2-20	1	31	731-3297	Fan, Pump	1
15	618-04404	Shaft, Drive, 30.625 Lg	1	32	751K2416234	Screen, Engine	1
16	719-3096	Adapter, Engine	1	33		Transmission Assembly, Hydro — See Pages 6-7 for Parts Info.	1
17	721-0519	Seal, Gland	1				

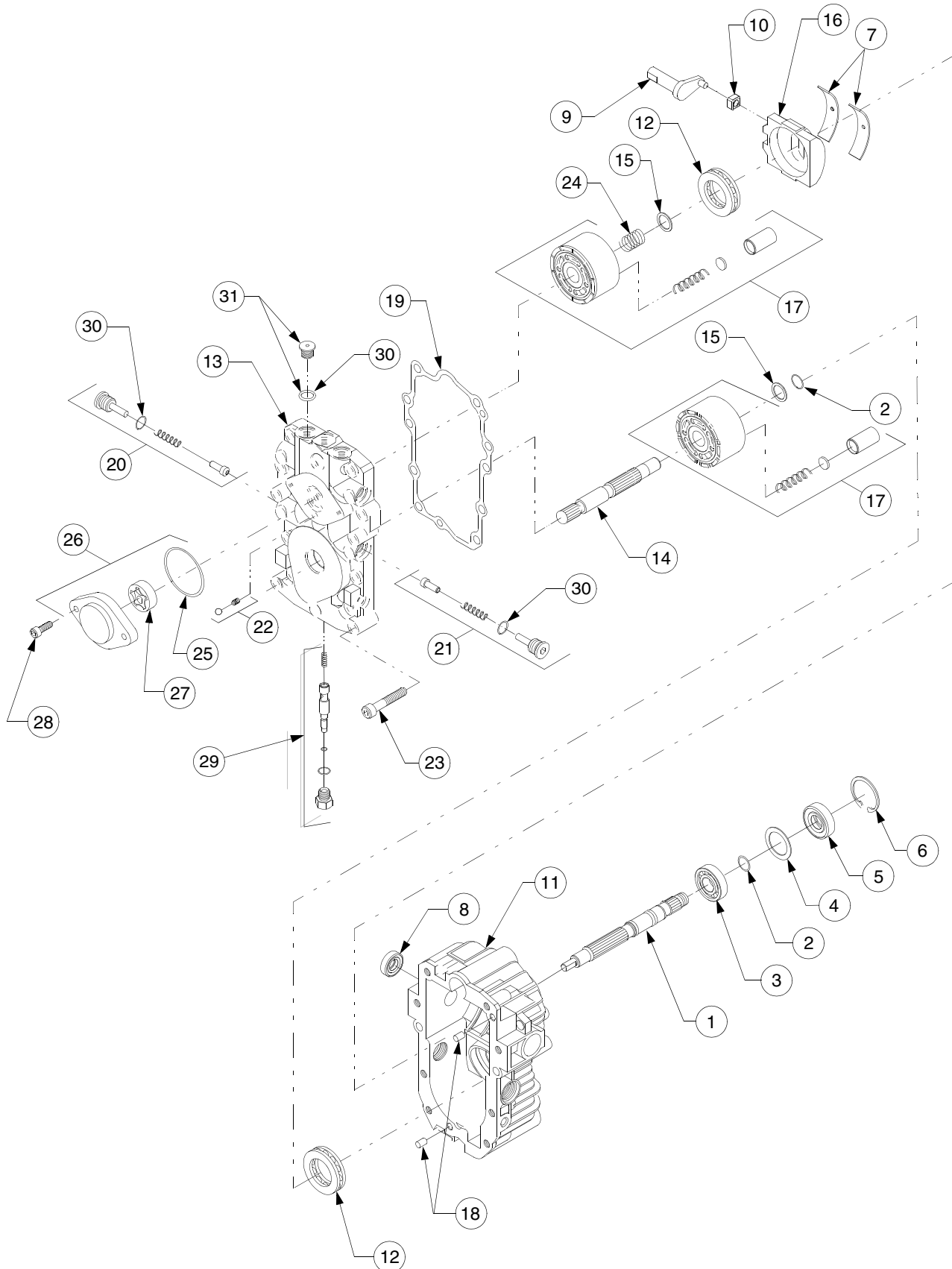
### HYDRO TRANSMISSION



## HYDRO TRANSMISSION

REF. NO.	PART NUMBER	DESCRIPTION	QTY.
	618-04176	Transmission Assembly, Hydro — Does not include Ref Nos. 1, 12 & 42	1
1	618-04317	Hub Ass'y, Wheel	2
2	619-3071A	Housing, RH Transmission	1
3	619-3072	Housing, LH Transmission	1
4	710-0573	Screw, Hex Cap Lock, 5/16-18 x 1.25 GR5	14
5	710-1206	Screw, Hex Wash Hd. Tapp, 1/4-20 x 2.375	2
6	710-1633	Screw, Plug, M14 x 1.5 x .827	1
7	710-3144	Screw, Hex Cap Lock, 3/8-16 x 2.0 GR5	4
8	711-1052A	Shaft, Cross, .50 x 3.005	2
9	711-1385A	Shaft, Output, 9T	1
10	711-04233	Shaft, Axle	2
11	712-0273	Nut, Hex Nylon Lock, 5/16-24	1
12	710-3119	Screw, Hex Cap Lock, 3/8-16 x .75 GR5	2
13	716-04032	Ring, Retaining	4
14	716-0204	Ring, Retaining	2
15	717-0678	Pad, Brake	2
16	717-0682	Plate, Puck	1
17	717-1446	Gear, Miter, 10T	4
18	717-04102	Gear, Miter, 14T	2
19	717-1568A	Gear, Differential Spur, 60T	1
20	717-3449	Gear, Bevel, 54T	1
21	719-0375A	Housing, Differential w/Thru Holes	2
22	712-3020	Nut, Hex Insert Jam GR5, 3/8-16	4
23	721-0523	Seal, Oil, 1.0 x 2.047 x .2755	3
24	726-0324	Clamp, Hose	1
25	731-1480	Vent, Plastic	1
26	731-1481	Cap, Plastic Vent	1
27	732-0925	Spring, Torsion	1
28	735-0277A	Grommet, Rubber, .75 x 1.063	1
29	735-0279	Grommet, Rubber, .362 x .56	1
30	736-0371	Washer, Flat, .343 x .88 x .062	1
31	736-0615	Washer, Thrust, 1.007 x 1.542 x .03	1
32	737-3092	Fitting, Tube	1
33	741-0343	Pin, Brake Actuating	2
34	741-3114	Bearing, Ball (6205-1)	6
35	750-3346	Spacer, Axle, 1.007 x 1.665 x .141	1
36	750-3358	Spacer, Axle, 1.007 x 1.665 x .989	1
37	751-0588-8	Tube, Transmission Breather	1
38	761-0207A	Yoke, Brake	1
39	761-0208	Bracket, Brake Anti Rotation	1
40	761-0215	Disc, Brake	1
41	761-3074	Arm, Brake Actuator	1
42	736-0227	Washer, Flat, .39 x 1.5 x .134	2
	759-3958	Sealant, Loctite Black, 5.3 oz. Tube	1
	737-3120	Drive System Fluid Plus - Quart	5.5
	737-3121	Drive System Fluid Plus - Gallon	AR

### HYDROSTATIC PUMP





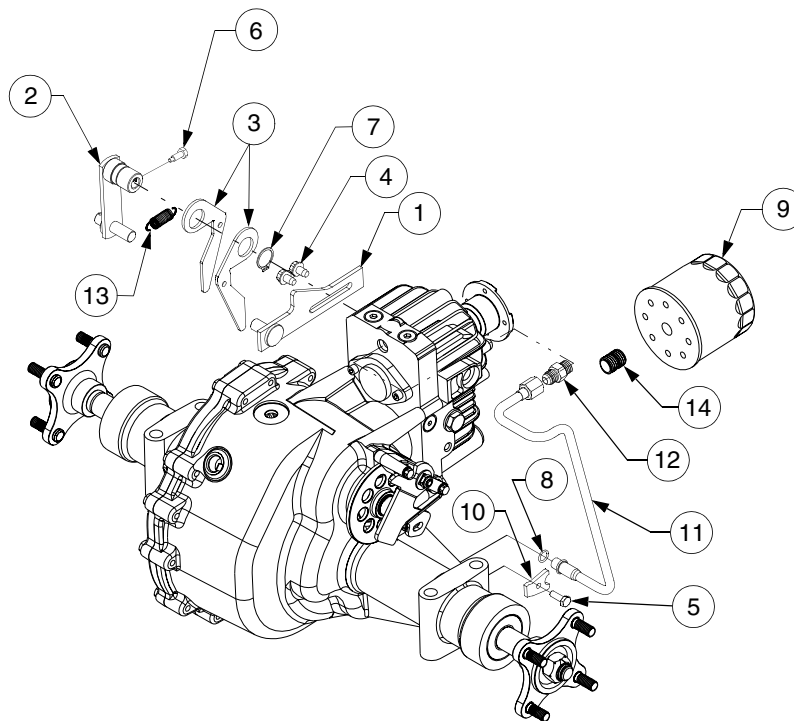
---

**HYDROSTATIC PUMP**

REF. NO.	PART NUMBER	DESCRIPTION	QTY.
1	HG-50158	Shaft, Pump (Splined)	1
2	HG-2003016	Ring, Retaining	2
3	HG-2003043	Bearing, Ball	1
4	HG-2003018	Spacer	1
5	HG-9008000-0128	Seal, Lip	1
6	HG-2003052	Ring, Retaining	1
7	HG-2003023	Bearing, Cradle	2
8	HG-9008000-0126	Seal, Lip	1
9	HG-2003005	Arm, Trunnion	1
10	HG-2000015	Guide, Slot	1
11	HG-2513036	Housing Kit	1
12	HG-2003044	Bearing Assembly, Thrust Ball	2
13	HG-51077	Center Section Kit	1
14	HG-2003034	Shaft, Motor	1
15	HG-2003017	Washer, Block Thrust	2
16	HG-2003087	Swash Plate	1
17	HG-70079	Block Assembly	2
18	HG-9004800-2506	Pin	2
19	HG-2003060	Gasket, Center Section	1
20	HG-2510027	Kit, Check Valve	1
21	HG-2510034	Kit, Orificed Check Valve	1
22	HG-2510011	Kit, Charge Relief Valve	1
23	HG-9007314-0808	Screw, Socket Hd	8
24	HG-2003014	Spring, Block	1
25	HG-9004101-1340	O-Ring	1
26	HG-2513027	Kit, Charge Pump	1
27	HG-J1041008	Gerotor Assy	1
28	HG-50095	Screw, Socket Hd	2
29	HG-2153011	Bypass Valve Kit	1
30	HG-9004201-3700	O-Ring	3
31	HG-9005110-5600	Plug w/O-Ring	2

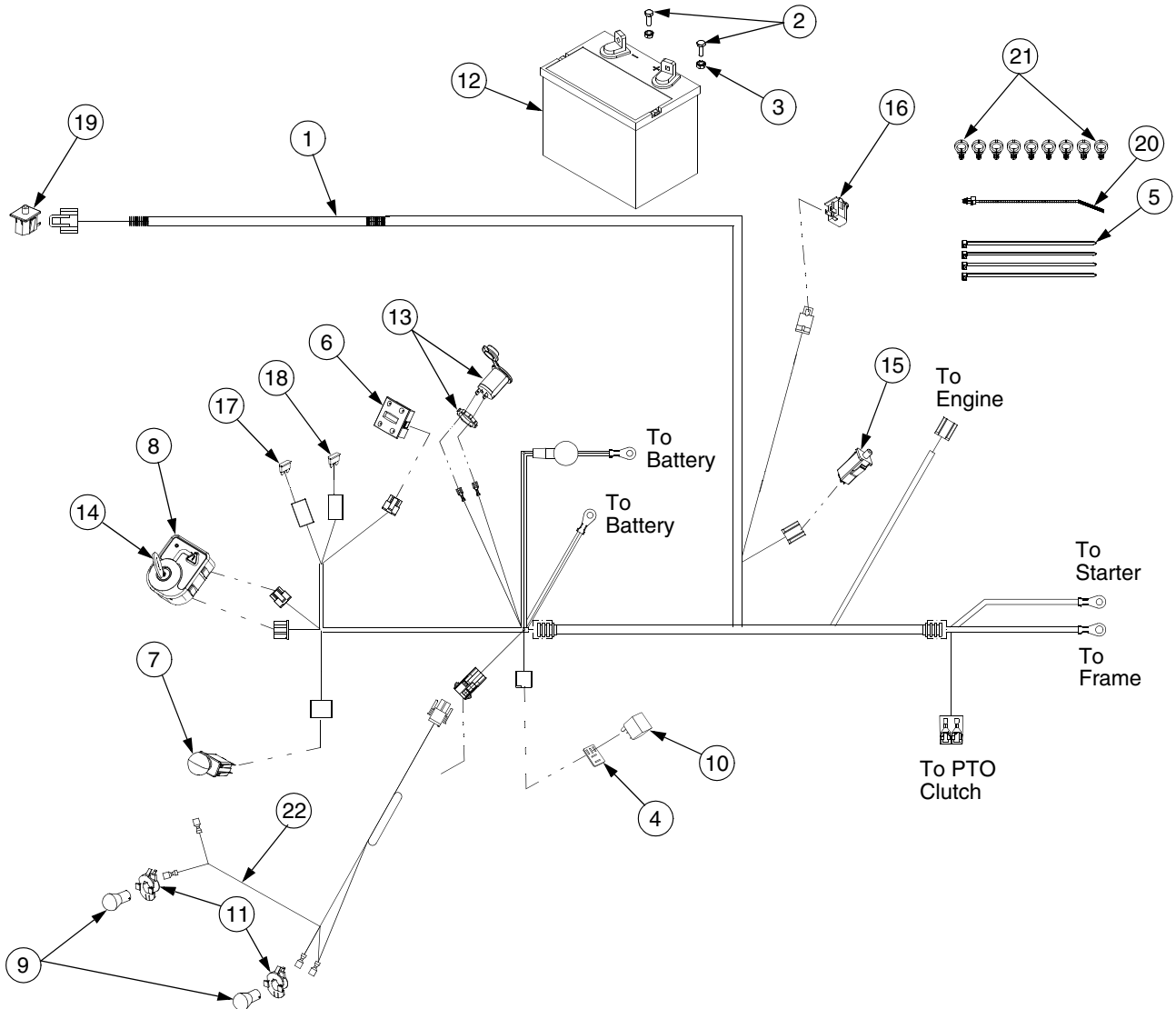
---

## NEUTRAL LINKAGE AND HYDRAULIC TUBE



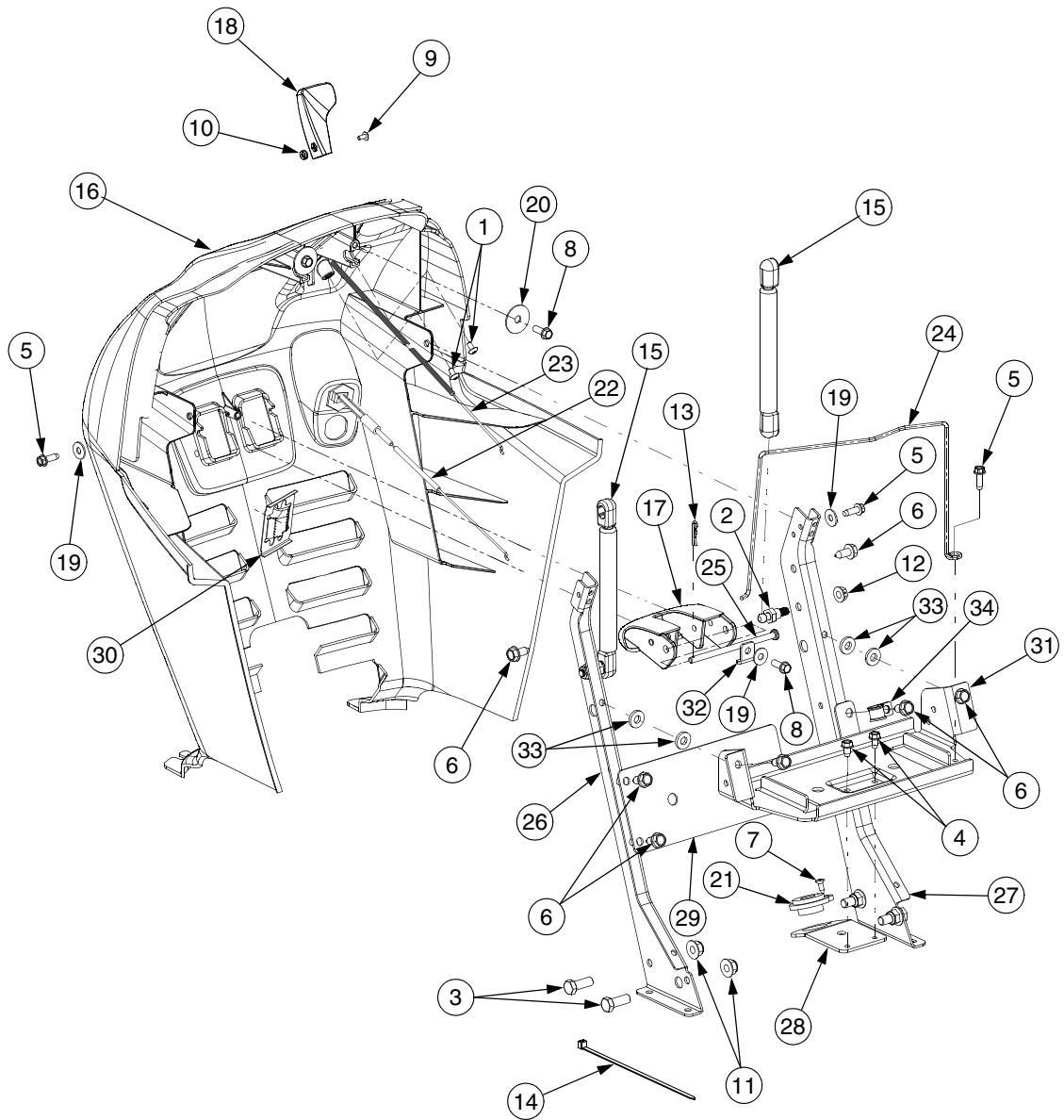
REF. NO.	PART NUMBER	DESCRIPTION	QTY.
1	603-0732	Bracket, Neutral Return	1
2	603-04340	Arm Assembly, Control	1
3	703-2441	Arm, Neutral	2
4	710-0607	Screw, Hex Wash Hd Tapp, 5/16-18 x .50	2
5	710-3015	Screw, Hex Cap, 1/4-20 x .75 GR5	1
6	710-04171	Screw, Special Hex Cap, 5/16-24 x .625	1
7	716-0111	Ring, Snap, .875 Shaft	1
8	721-0459	O-Ring, .426 ID x .566 OD x .07	1
9	723-3014	Filter, Oil	1
10	726-0295	Clamp, Tube, .50	1
11	727-0636	Tube, Hydro Pickup	1
12	727-3002	Fitting, Hydraulic	1
13	732-3119A	Spring, Extension	1
14	737-3022	Nipple, Oil Filter	1

**BATTERY, ELECTRICAL COMPONENTS AND SWITCHES**



REF. NO.	PART NUMBER	DESCRIPTION	QTY.	REF. NO.	PART NUMBER	DESCRIPTION	QTY.
1	629-04158	Wire Harness, Main	1	12	925-1707D	Battery	1
2	710-3015	Screw, Hex, 1/4-20 x .75 GR5	2	13	725-2003	Receptacle, Power 12V	1
3	712-0271	Sems Nut	2	14	725-2054	Key, Ignition	2
4	721-0342	Gasket, Silicone	1	15	725-3164A	Switch, Interlock (Brake)	1
5	725-0157	Tie, Self-Clinch Cable	4	16	725-3167	Switch, Snap Mount (Reverse)	1
6	725-04036A	Meter, Indicator / Hour	1	17	725-3243	Fuse, 25 Amp	2
7	725-04175	Switch, PTO	1	18	725-04008	Fuse, 5 Amp	1
8	725-04227A	Switch, Key/Module	1	19	725-04040	Switch, Seat	1
9	725-0963	Lamp, Head Light	2	20	726-0154	Tie, Pushmount	9
10	725-1648	Relay	1	21	726-3055	Clip, Cable	9
11	725-1649	Socket, Light, 1/4 Turn	2	22	629-04142A	Harness, Head Light	1

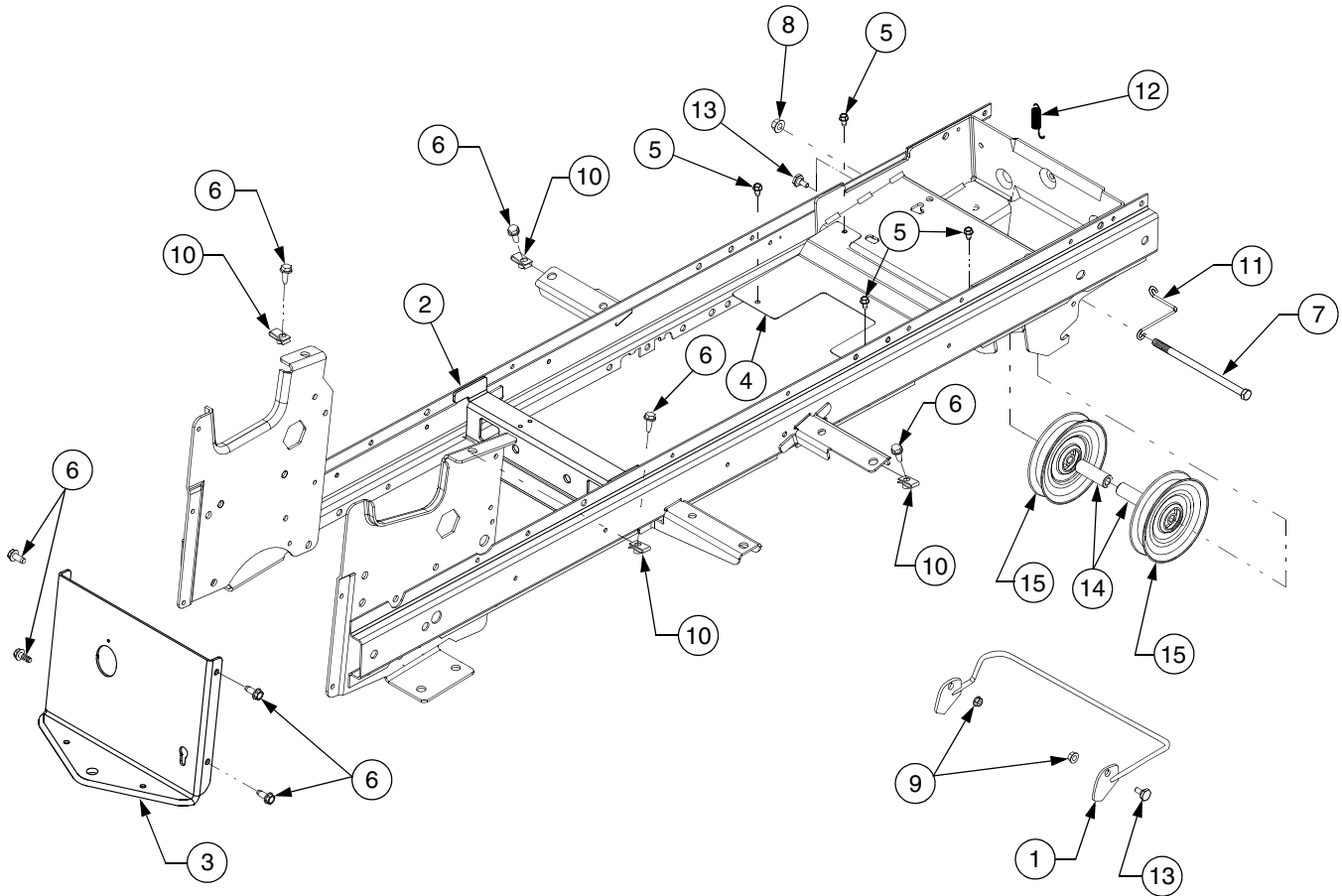
### DASH PANEL AND ENGINE CONTROLS



### DASH PANEL AND ENGINE CONTROLS

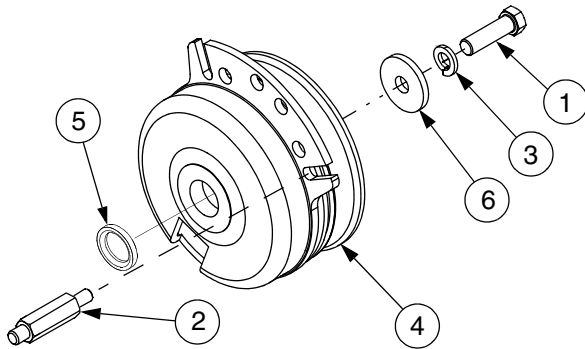
REF. NO.	PART NUMBER	DESCRIPTION	QTY.
1	710-0192	Screw, #10-24 X .375	2
2	710-04471	Screw, Ball Shoulder. 5/16-18 x .48	2
3	710-0376	Screw, Hex Cap, 5/16-18 x 1.0 GR5	4
4	710-0599	Screw, Self-tapping, 1/4-20, 0.500	2
5	710-0642	Screw, Hx. Wash. Hd, Tapp. 1/4-20 x .75	3
6	710-0726	Screw, Hx. Wash. Hd, Tapp, 5/16-12 x .75	8
7	710-0837	Screw, Oval Cntrs nk, #10-16 x .625	1
8	710-0895	Screw, 1/4-15, 0.750	3
9	710-3217	Screw, Truss Mach., #8-32 x .375	1
10	712-0142	Nut, Hex, #8-32 GrA	1
11	712-04063	Nut, Hx Insert Flange Lck, 5/16-18 GrF	4
12	712-3004A	Nut, Hex Flange Lock, 5/16-18 GR5	2
13	714-0104	Internal Cotter Pin, .072 x 1.13	1
14	725-0157	Tie, Cable	1
15	727-04142	Cylinder, Gas	2
16	731-05354	Dash	1
	777I22459	Graphic, Dash Insert	1
	777I22280	Graphic, Throttle	1
	777X42183	Graphic, Carb Emissions	1
17	731-05447	Lever, Dash, Cruise	1
18	731-3161	Knob, Throttle Control	1
19	736-0173	Washer, Flat, .28 x .74 x .063	3
20	736-0362	Washer, Flat, .33 x 1.25 x .06 HT	2
21	741-0587	Bearing, Steering Column	1
22	746-04277	Cable, Choke	1
23	746-3049	Cable, Throttle Control	1
24	747-04215	Strap, Batter	1
25	747-1323A	Rod, .25 x 4.55	1
26	783-04285D	Plate, Dash Support RH	1
27	783-04323D	Plate, Dash Support, LH	1
28	783-04475	Bracket, Steering Support	1
29	783-04506A	Plate, Dash Support	1
30	783-0462	Bracket, PTO Switch Retainer	1
31	783-1447B	Bracket, Support, Battery	1
32	783-1499	Bracket, Rod, Dash	1
33	736-3008	Washer, Flat, .344 x .75 x .12	4
34	726-0272	Clamp, 9/16	1

## FRAME AND DRAWBAR



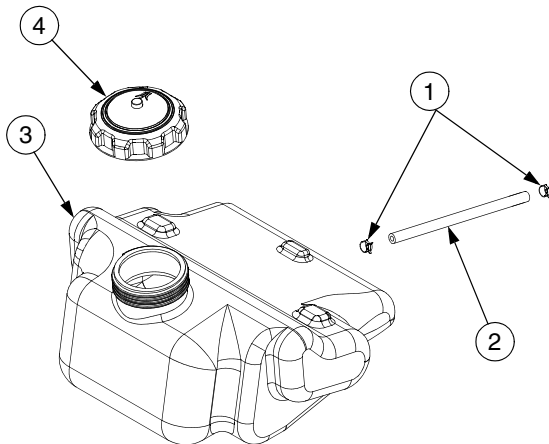
REF. NO.	PART NUMBER	DESCRIPTION	QTY.
1	603-04250	Rod, Quick Attach	1
2	603-04349	Frame	1
3	703-3453	Drawbar	1
	777120773	Graphic, Transmission Release Lever	1
	777S30265	Graphic, Transmission Oil	1
4	703-05879	Shield, Grass	1
5	710-0599	Screw, Hex Wsh Hd Tapp 1/4-20 x .5	4
6	710-1260A	Screw, Hex Wsh Hd Tap 5/16-18 x .75	4
7	710-3261	Screw, Hex Cap, 3/8-16 x 7.0	1
8	712-0431	Nut, Hex Flange Lock, 3/8-16	1
9	712-3027	Nut, Hex Flange Lock, 1/4-20	2
10	726-0211	U-Nut, 5/16-18	6
11	732-0970	Belt Guide	1
12	732-3002	Spring, Latch	1
13	738-0255	Bolt, Shoulder	2
14	750-04198	Spacer, Idler, .411 x .720 x 3.67	2
15	756-3045	Pulley, Idler	2

**PTO CLUTCH**



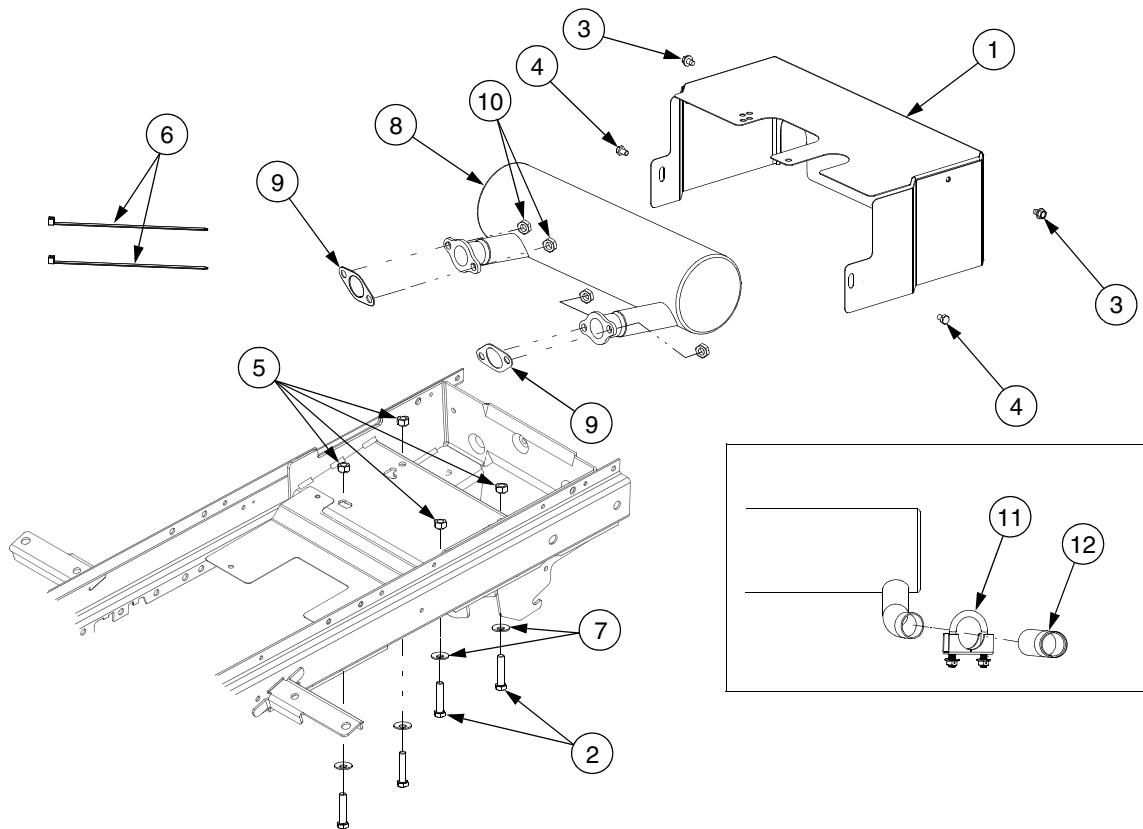
REF. NO.	PART NUMBER	DESCRIPTION	QTY.
1	710-0757	Screw, Hex Cap, 7/16-20 x 1.5 GR5	1
2	711-04552	Stud, Clutch Stop	1
3	736-0171	Washer, Lock, 3/8	1
4	717-04180	Clutch Assy, PTO	1
5	750-3356	Spacer, 1.0 x 1.62 x .4	1
6	736-3082A	Washer, Flat, .445 x 1.5 x 1.72 Hdn	1

**FUEL TANK**



REF. NO.	PART NUMBER	DESCRIPTION	QTY.
1	726-0205	Clamp, Hose	2
2	751-10349	Line, Fuel, 72"	1
3	751-3112B	Tank, Fuel	1
4	751-3124C	Cap, Fuel	1

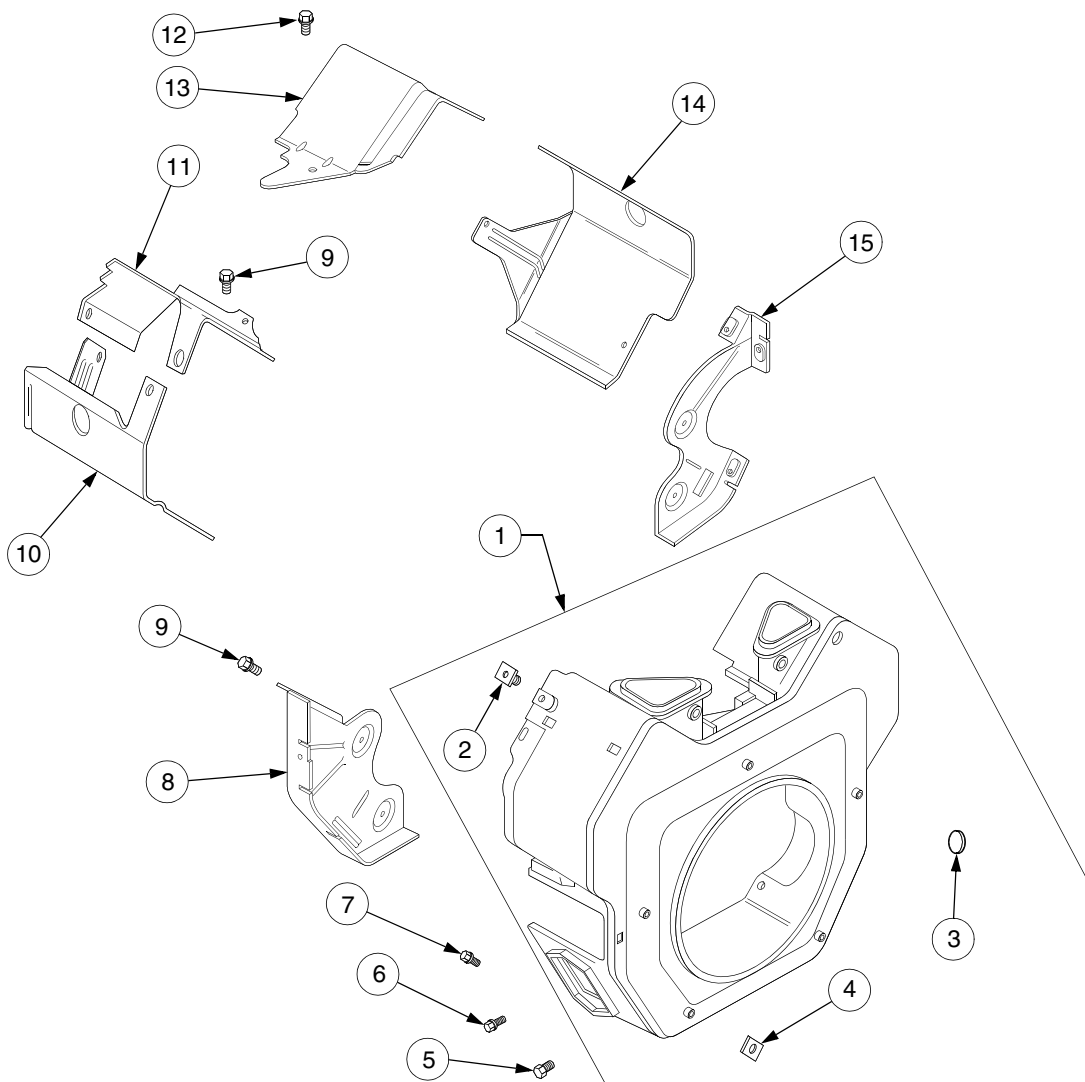
## ENGINE MOUNTING AND MUFFLER



REF. NO.	PART NUMBER	DESCRIPTION	QTY.
1	703-05875	Shield, Heat	1
2	710-0539	Bolt, Eng Mount, 3/8-24 x 1.75 GR5	4
3	710-0653	Screw, Hx Wsh Hd Tapp, 1/4-20 x .375	2
4	710-3209	Screw, Hex Cap, M6 x 1 x 10	2
5	712-3054	Nut, Hex Lock, 3/8-24	4
6	725-0157	Tie, Cable	2
7	736-0105	Washer, Bell, .380 x .88 x .062	4
8	751-10249	Muffler Assembly	1
9	KH-24-041-02	Gasket, Exhaust	2
10	KH-M-0841080	Nut, Hex Flange	4
11	751-10191	Clamp, Muffler	1
12	751-10360	Pipe Extension, Exhaust	1

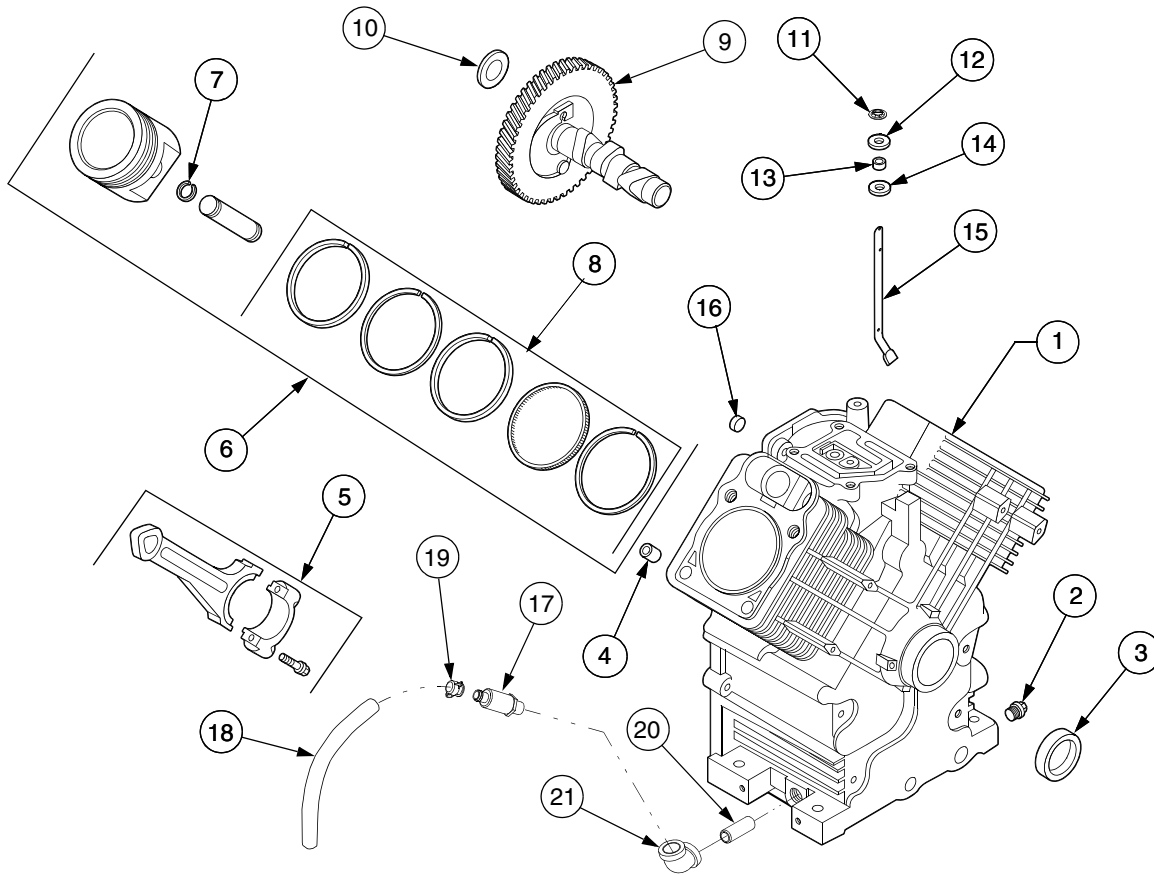


**BLOWER HOUSING AND BAFFLES**



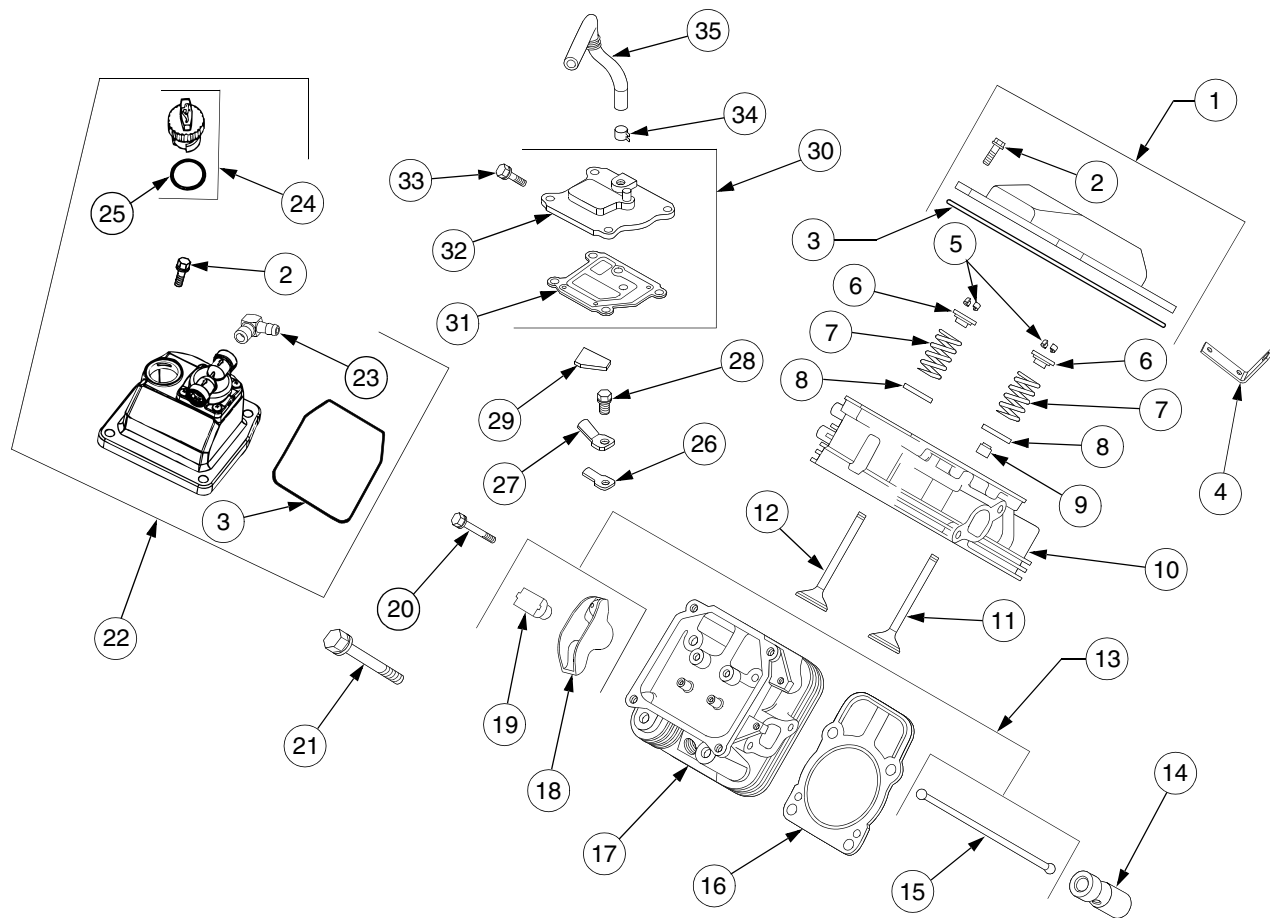
REF. NO.	PART NUMBER	DESCRIPTION	QTY.
1	KH-24-027-175-S	Housing, Blower (Incl. Ref #2-4)	1
2	KH-24-100-02	Nut, Plastic	2
3	KH-25-139-16	Plug, Button, 9/16	1
4	KH-24-100-01	Nut, Plastic	3
5	KH-M-0551016	Screw, Hex Flange, M5 x 0.8 x 16	1
6	KH-M-545016-S	Screw, Hex Flange, M5 x 0.8 x 16	3
7	KH-M-0545020	Screw, Hex Flange, M5 x 0.8 x 20	4
8	KH-24-146-16-S	Plate, Backing - #2 Side	1
9	KH-M-0645016	Screw, Hex Flange, M6 x 1.0 x 16	1
10	KH-24-063-20	Baffle, Cylinder Barrel - #2 Side	1
11	KH-24-063-70-S	Baffle, Valley - #2 Side	1
12	KH-M-550010-S	Screw, Hex Flange, M5 x 0.8 x 10	2
13	KH-24-063-59-S	Baffle, Valley - #1 Side	1
14	KH-24-063-58-S	Baffle, Cylinder Barrel - #1 Side	1
15	KH-24-146-20-S	Plate, Backing - #1 Side	1

**CRANKCASE**



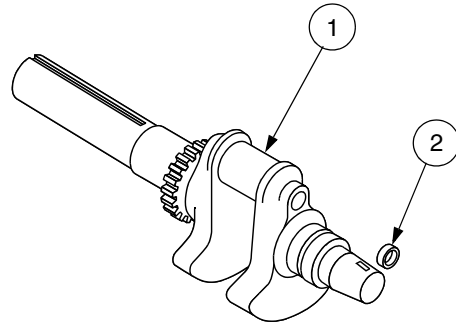
REF. NO.	PART NUMBER	DESCRIPTION	QTY.	REF. NO.	PART NUMBER	DESCRIPTION	QTY.
	KH-76619	Complete Engine	1	10	KH-12-422-09	Shim, Camshaft, .0320 (Red)	AR
	KH-24-522-251	Short Block	1		KH-12-422-13	Shim, Camshaft, .0400 (Black)	AR
	KH-24-755-108-S	Gasket Set	1		KH-12-422-07	Shim, Camshaft, .0280 (White)	AR
1	KH-24-782-27	Cylinder Block, (Use Miniblock)	1		KH-12-422-08	Shim, Camshaft, .0300 (Blue)	AR
2	KH-25-139-57-S	Plug, Hex Hd, 3/8	2		KH-12-422-10	Shim, Camshaft, .0340 (Yellow)	AR
3	KH-24-032-01	Seal, Front Oil	1		KH-12-422-11	Shim, Camshaft, .0360 (Green)	AR
4	KH-24-380-13-S	Pin, Locating Dowel	6		KH-12-422-12	Shim, Camshaft, .0380 (Gray)	AR
5	KH-24-067-13	Rod, Connecting, Std	2	11	KH-24-018-09	Ring, Retainer	1
	KH-24-067-14	Rod, Connection, .010 / .25mm	2	12	KH-M-931010	Washer, Nylon	1
6	KH-24-874-09-S	Piston w/Ring Set, Std	2	13	KH-28-032-09	Seal, Governor Cross Shaft	1
	KH-24-874-15-S	Piston w/Ring Set, .08mm	2	14	KH-24-468-15	Washer, Plain	1
	KH-24-874-10-S	Piston w/Ring Set, .010 / .25mm	2	15	KH-24-144-38	Shaft, Governor Cross	1
	KH-24-874-11-S	Piston w/Ring Set, .020 / .50mm	2	16	KH-52-139-09	Plug, Cup	1
7	KH-24-018-01	Retainer, Piston Pin	4	17	751-3140	Drain, Oil	1
8	KH-24-108-08-S	Ring Set, Std	2	18	751-3141-12	Hose, Oil Drain	1
	KH-24-108-09-S	Ring Set, .010 / .25mm	2	19	751-3142	Cap	1
	KH-24-108-10-S	Ring Set, .020 / .50mm	2	20	737-0199	Pipe, Straight, 3/8 NPT x 2.0	1
9	KH-24-012-10-S	Camshaft Assembly	1	21	737-0272	Elbow, 90 Degree	1

## CYLINDER HEAD, VALVES AND BREATHER



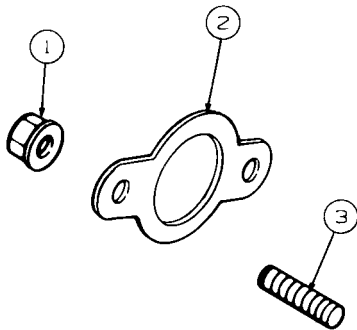
REF. NO.	PART NUMBER	DESCRIPTION	QTY.	REF. NO.	PART NUMBER	DESCRIPTION	QTY.
1	KH-24-755-141-S	Kit, Valve Cover (Includes 2-3)	1	19	KH-24-599-01	Pivot, Rocker Arm	4
2	KH-M-651030-S	Screw, Hex Flng, M6 x1.0 x 30	8	20	KH-66-086-07-S	Screw, Hex Flng, M6 x 1.0 x 34	4
3	KH-24-153-28-S	O-Ring, Valve Cover	2	21	KH-12-086-16	Screw, Hex Flng, M10 x 1.5 x 90	8
4	KH-24-445-01	Strap, Lifting	1	22	KH-24-559-10-S	Kit, Fuel Pump Valve Cover	1
5	KH-12-755-03	Kit, Retainer	4	23	KH-25-294-11-S	Fitting, 90°	2
6	KH-12-173-01	Cap, Valve Spring	4	24	KH-24-227-02	Cap Assembly, Oil Fill (Incl. 26)	1
7	KH-24-089-02	Spring, Valve	4	25	KH-24-153-09	O-Ring	1
8	KH-235011	Retainer, Spring	4	26	KH-24-402-03	Reed, Breather	1
9	KH-66-032-05	Seal, Valve Stem	2	27	KH-66-018-04-S	Retainer, Breather Reed	1
10	KH-24-318-68-S	Head Assembly, #1 Cylinder	1	28	KH-M-0545010	Screw, Hex Flng, M5 x 0.8 x 10	1
11	KH-24-017-01	Valve, Intake Std	2	29	KH-24-050-01	Filter, Breather	1
	KH-24-017-02	Valve, Intake, .25mm	2	30	KH-24-033-01	Kit, Breather (Includes 32-34)	1
12	KH-24-016-01	Valve, Exhaust Std	2	31	KH-24-041-51-S	Gasket, Breather	1
	KH-24-016-02	Valve, Exhaust, .25mm	2	32	KH-24-096-86-S	Cover, Breather	1
13	KH-24-755-66	Kit, Valve Train (Incl. 15,18,19)	1	33	KH-M-0645020	Screw, Hex Flng M6 x 1.0 x 20	4
14	KH-25-351-04-S	Lifter, Valve	4	34	KH-25-237-14-S	Clamp, Breather	1
15	KH-24-411-05	Rod, Push	4	35	KH-24-326-26	Hose, Breather	1
16	KH-24-841-02-S	Kit, Cyl. Hd. Gasket (Includes 21)	2		KH-24-755-147-S	Kit, Cylinder Head, Includes Ref. Nos. 5-9, 11, 12, 15, 18-20	2
17	KH-24-318-71-S	Head Assembly, #2 Cylinder	1				
18	KH-25-186-01	Arm, Rocker	4				

## CRANKSHAFT



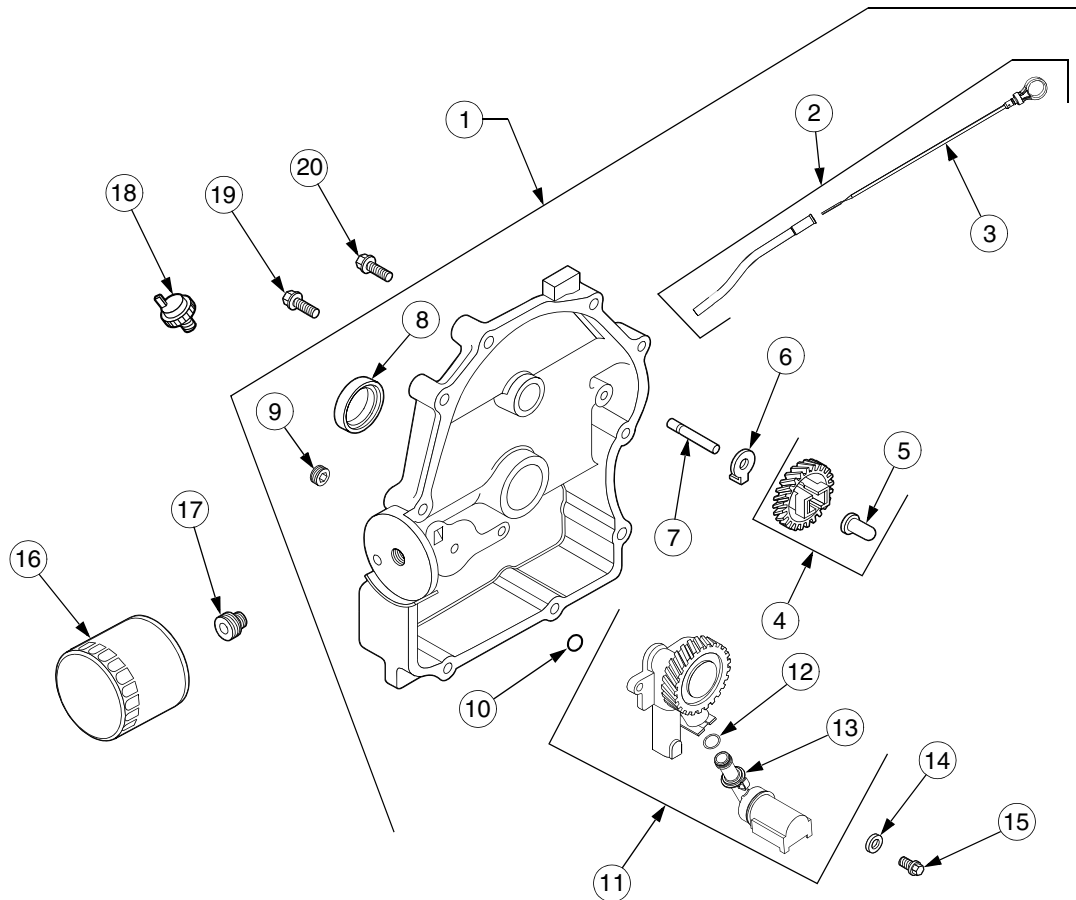
REF. NO.	PART NUMBER	DESCRIPTION	QTY.
1	KH-24-014-06-S	Crankshaft (Incl. Ref #2)	1
2	KH-52-139-09	Plug, Cup	1

## EXHAUST



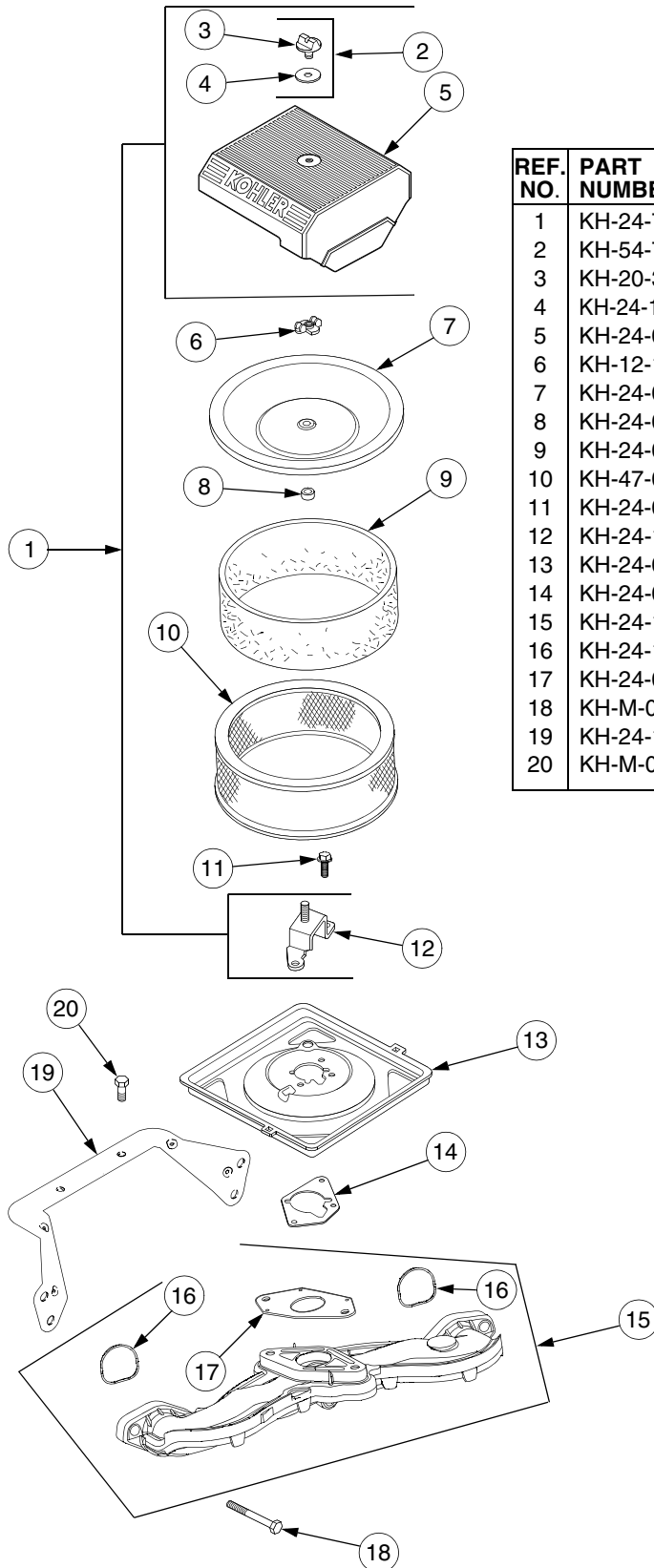
REF. NO.	PART NUMBER	DESCRIPTION	QTY.
1	712-3086	Nut, Muffler Mounting, M8 x 1.25	4
2	721-0377	Gasket, Exhaust	2
3	KH-25-072-04	Stud, Exhaust, M8 x 1.25 x 33	4

## OIL PAN AND LUBRICATION



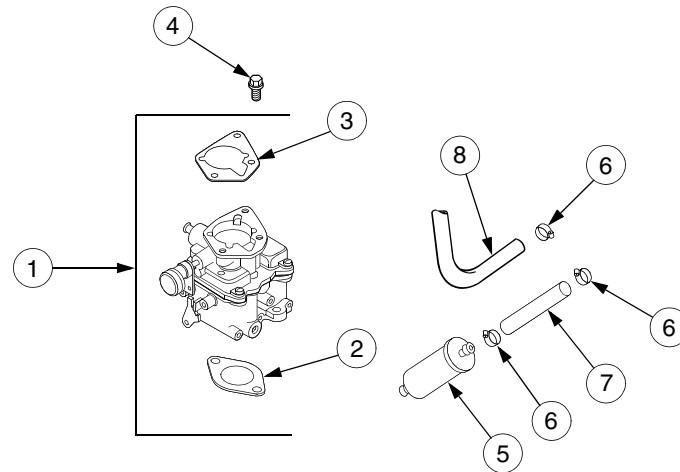
REF. NO.	PART NUMBER	DESCRIPTION	QTY.
1	KH-24-009-83-S	Plate Assy, Closure (Incl. Ref #2-15)	1
2	KH-24-755-121-S	Kit, Tube w/Dipstick	1
3	KH-24-038-10-S	Dipstick	1
4	KH-24-043-12	Kit, Governor Gear (Incl. Ref #6)	1
5	KH-12-380-01	Pin, Governor Regulating	1
6	KH-24-448-02	Tab, Locking	1
7	KH-12-144-02	Shaft, Governor Gear	1
8	KH-52-032-08	Seal, Oil (PTO end)	1
9	KH-25-139-60-S	Plug, Pipe 1/8	1
10	KH-24-153-08	O-Ring	1
11	KH-24-393-37-S	Oil Pump Assy (Incl. Ref #13-14)	1
12	KH-24-153-01	O-Ring, Oil Pick-up	1
13	KH-24-381-04	Pick-up, Oil	1
14	KH-M-0631005	Washer, Plain	2
15	KH-M-0645025	Screw, Hex Flange, M6 x 1.0 x 25	2
16	KH-12-050-08	Filter, Oil	1
17	KH-24-136-01	Nipple, Oil Filter	1
18	KH-25-099-24	Switch, Pressure	1
19	KH-24-086-16	Screw, Hex Flange, M8 x 1.25 x 45	9
20	KH-24-086-17	Screw, Hex Flange, M8 x 1.25 x 45	1

**AIR INTAKE AND FILTRATION**

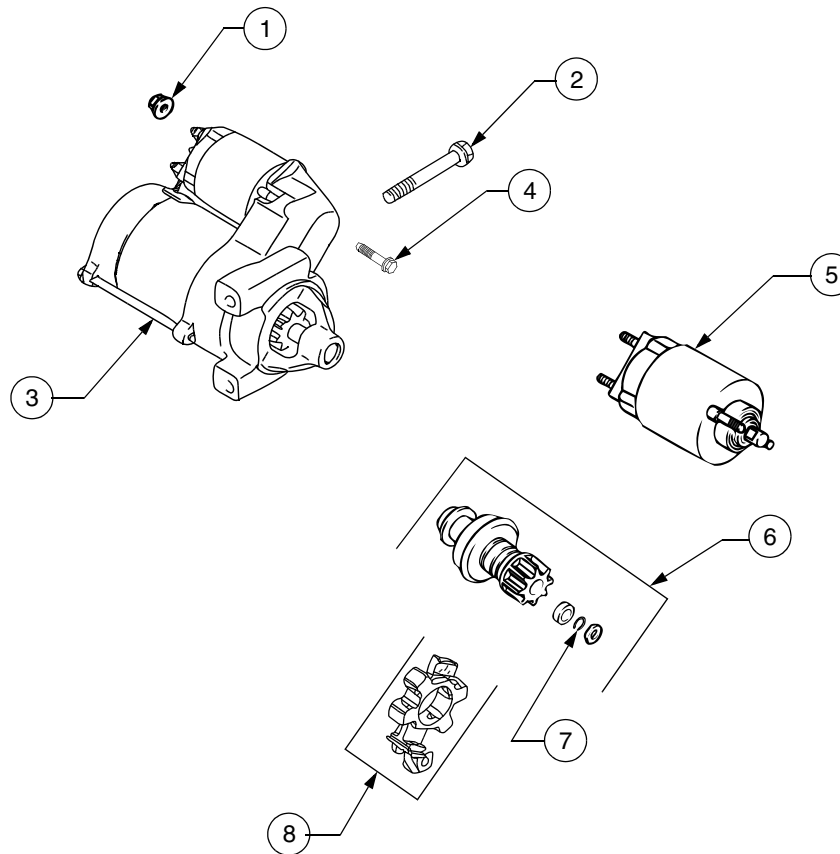


REF. NO.	PART NUMBER	DESCRIPTION	QTY.
1	KH-24-743-08-S	Kit, Air Cleaner Cover (Incl. 2-5, 12)	1
2	KH-54-755-01	Kit, Knob w/Seal (Incl. Ref #2,3)	1
3	KH-20-341-04-S	Knob, Cover	1
4	KH-24-153-20-S	Seal, Air Cleaner Cover Knob	1
5	KH-24-096-69-S	Cover, Air Cleaner	1
6	KH-12-100-01	Wing Nut	1
7	KH-24-096-01	Cover, Inner Air Cleaner	1
8	KH-24-032-03	Seal, Inner Air Cleaner	1
9	KH-24-083-02	Precleaner, Element	1
10	KH-47-083-03	Element, Air Cleaner	1
11	KH-24-086-53-S	Screw, Hex Flange, M6 x 1.0 x16	3
12	KH-24-126-21	Bracket, Air Cleaner Base	1
13	KH-24-094-39-S	Base, Air Cleaner	1
14	KH-24-041-06	Gasket, Air Cleaner Base	1
15	KH-24-164-54-S	Manifold, Intake (Includes 16,17)	1
16	KH-24-153-27-S	O-Ring, Intake Manifold	2
17	KH-24-041-53-S	Gasket, Carburetor	1
18	KH-M-0651040-S	Screw, Hex Flange, M6 x 1.0 x 40	4
19	KH-24-126-130-S	Bracket, Air Cleaner Base	1
20	KH-M-0545010	Screw, Hex Flng, M5 x 0.8 x 10	2

## FUEL SYSTEM



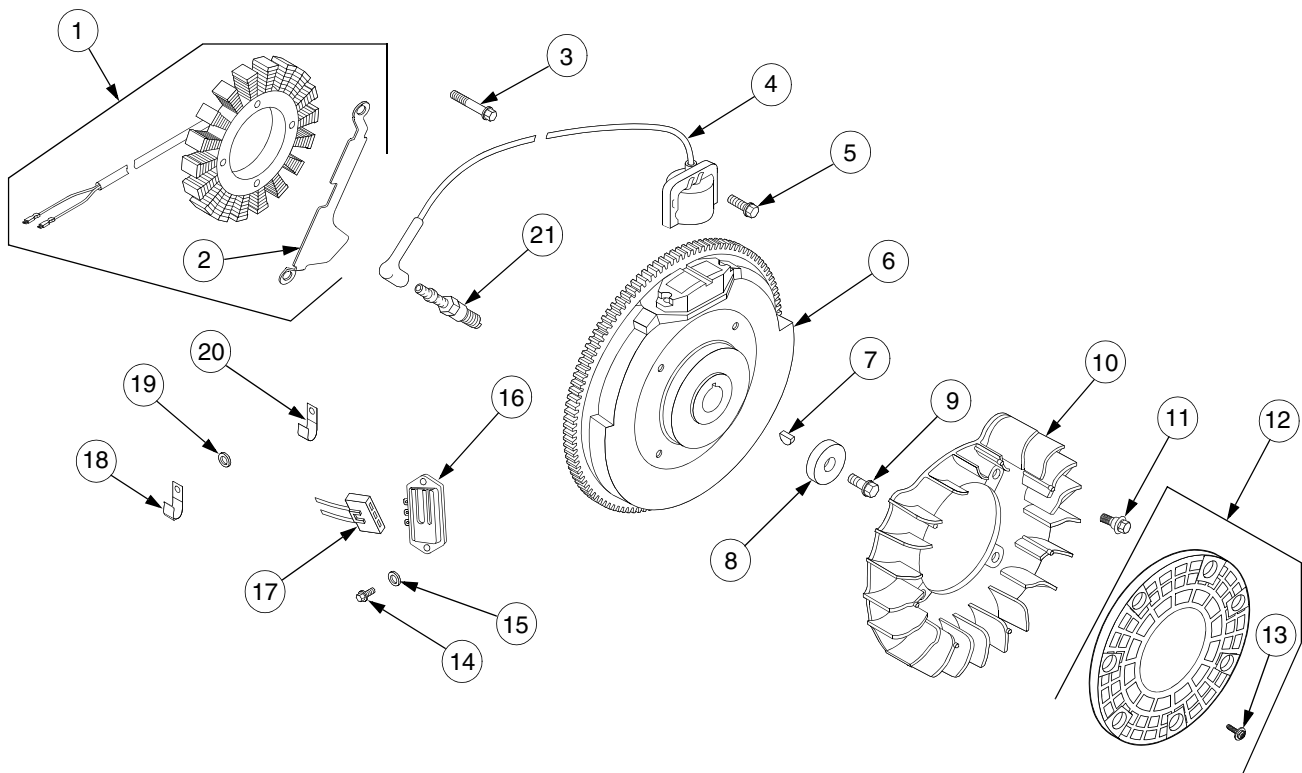
REF. NO.	PART NUMBER	DESCRIPTION	QTY.
1	KH-24-853-59-S	Kit, Carburetor w/Gasket (Includes 2,3)	1
2	KH-24-041-06	Gasket, Air Cleaner Base	1
3	KH-24-041-17	Gasket, Carburetor	1
4	KH-M-651025-S	Screw, Hex Flange, M6 x 1.0 x 25	2
5	KH-24-050-10-S	Filter, Fuel	1
6	KH-25-237-14-S	Clamp, Hose	4
7	KH-52-353-20	Line, Fuel 10" (Carb to Filter)	1
8	KH-24-353-12	Line, Fuel 11" (Carb to Pump)	
		<b>Not Illustrated</b>	
	KH-24-518-24-S	Lead, Ground	1
	KH-24-757-01	Kit, Solenoid	1
	KH-24-757-02	Kit, Float Repair	1
	KH-24-757-03	Kit, Carburetor Repair	1
	KH-24-757-07	Kit, Choke Repair	1
	KH-24-755-125-S	Kit, High Altitude	1

**ELECTRIC START**

REF. NO.	PART NUMBER	DESCRIPTION	QTY.
1	KH-M-0841080	Nut, Hex Flange M8 x 1.25"	1
2	KH-M-839080	Screw, Hex Flange M8 x 1.25 x 80	2
3	KH-25-098-09-S	Starter, Solenoid Shift Assembly . (Includes 4-8)	1
4	KH-25-086-113-S	Screw, External Torx Hd.	3
5	KH-25-435-06-S	Kit, Solenoid	1
6	KH-25-755-33-S	Kit, Pinion Drive (Includes 7)	1
7	KH-25-141-05-S	Ring, Retainer	1
8	KH-25-221-01-S	Kit, Brush	1

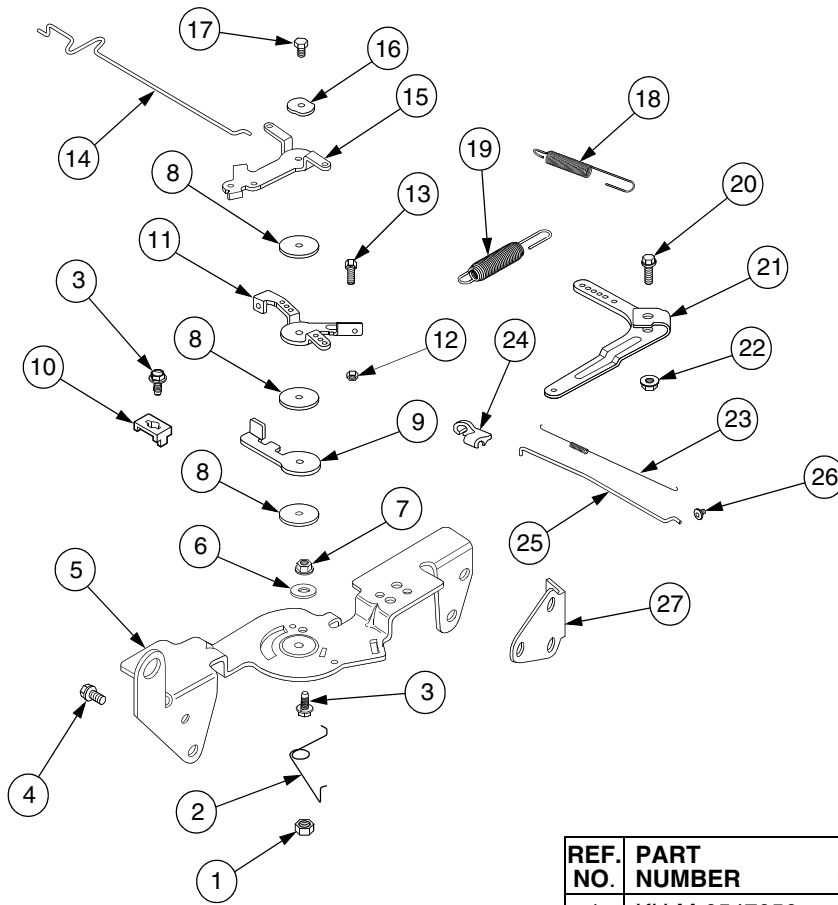


## IGNITION, ELECTRICAL AND FLYWHEEL



REF. NO.	PART NUMBER	DESCRIPTION	QTY.
1	KH-54-755-09	Stator Kit, 15 Amp (Incl. Ref #2)	1
2	KH-24-126-139-S	Bracket, Stator Wire	1
3	KH-M-0548025	Screw, Stator Mtg. M5 x .8 x 25	2
4	KH-24-584-01-S	Module, Ignition	2
5	KH-M-545020-S	Screw, Module M5 x .8 x 20	4
6	KH-24-025-04	Flywheel Assembly	1
7	KH-X-42-15	Key	1
8	KH-12-468-03	Washer, Flywheel Mtg. Screw	1
9	KH-12-086-14	Screw, Flywheel Mtg, M10x1.5 x 46	1
10	KH-24-157-11	Fan	1
11	KH-25-086-47	Bolt, Shoulder	4
12	KH-54-755-15-S	Kit, Grass Screen	1
13	KH-25-086-117-S	Screw, Sems Hx Hd	3
14	KH-24-086-18	Screw Phillips Hd., #11-16 x .875	2
15	KH-X-25-92	Washer, Plain	2
16	KH-41-403-09-S	Regulator - Rectifier	1
17	KH-236602	Connector, Regulator-Rectifier	1
18	KH-235173	Clip, Cable	1
19	KH-X-25-63	Washer, Plain 1/4"	1
20	KH-12-154-01	Clip, Cable	1
21	759-3336	Spark Plug	2
	KH-24-176-08	Harness, Wire	1
	KH-24-126-137-S	Bracket, Ground Strap	1
	KH-25-086-91-S	Screw, Tapping	2
	KH-24-454-03-S	Tie, Wire	2
	KH-25-468-07-S	Washer, Flat	1

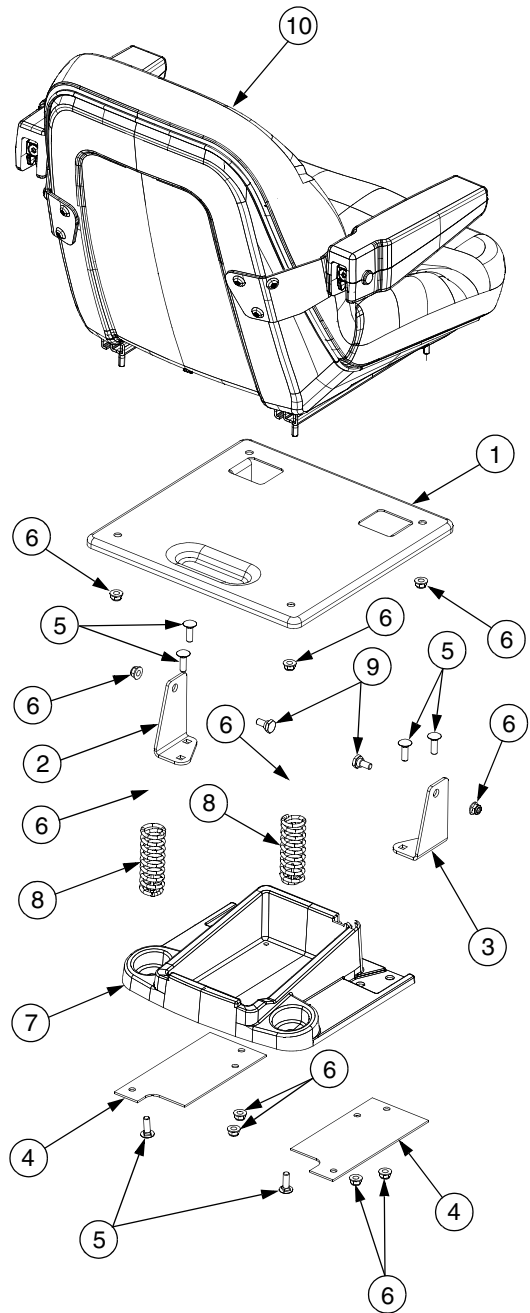
**ENGINE CONTROLS**



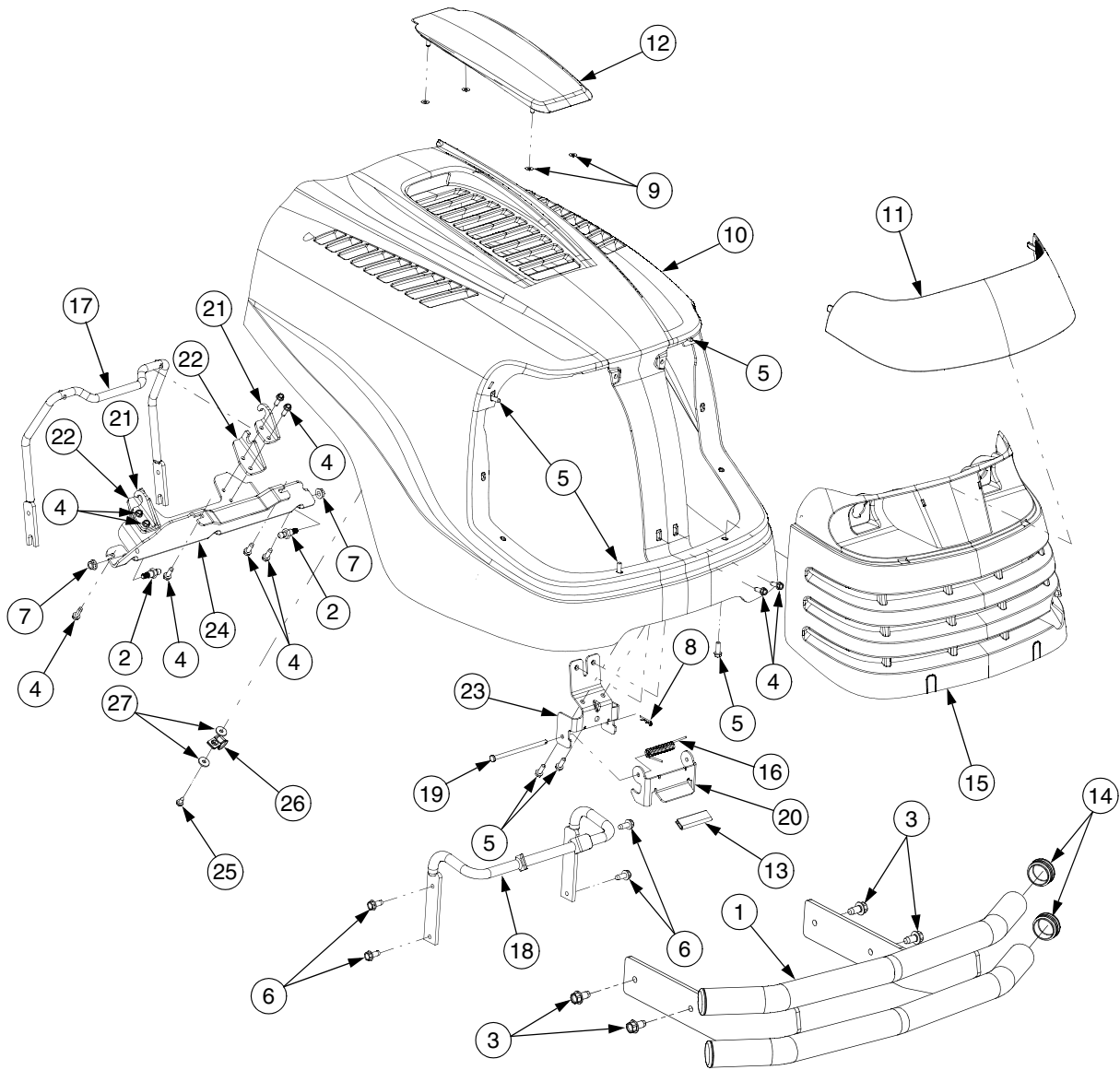
REF. NO.	PART NUMBER	DESCRIPTION	QTY.
1	KH-M-0547050	Nut, Hex Lock M5 x 0.8	1
2	KH-24-089-03	Spring, Choke Return	1
3	KH-M-545016-S	Screw, Hex Flange M5 x 0.8 x 16	3
4	KH-M-645016-S	Screw, Hex Flange M6 x 1.0 x 16	4
5	KH-24-126-56	Bracket, Control	1
6	KH-X-20-1-S	Washer	1
7	KH-M-541050-S	Nut, Hex	1
8	KH-24-468-01	Washer, Plain 5.5mm	3
9	KH-24-090-07	Lever, Throttle Actuator	1
10	KH-12-237-01	Clamp, Cable	2
11	KH-24-090-13	Lever, Throttle Control	1
12	KH-M-446030-S	Nut, Hex M4 x 0.7	1
13	KH-M-401030-S	Screw, Hex Cap M4 x 0.7 x30	1
14	KH-24-079-21-S	Linkage, Choke	1
15	KH-24-090-05	Lever, Choke	1
16	KH-41-468-03	Washer, Spring 1/4"	1
17	KH-M-0545020	Screw, Hex Flange M5 x 0.8 x 20	1
18	KH-24-089-51	Spring, Throttle Limiter	1
19	KH-24-089-44-S	Spring, Governor	1
20	KH-24-211-03	Screw, Round Hd. Square Neck	1
21	KH-24-090-33	Lever, Governor	1
22	KH-M-0641060	Nut, Hex Flange M6 x 1.0	1
23	KH-24-089-01	Spring, Linkage	1
24	KH-25-158-08	Bushing, Linkage Retaining	1
25	KH-24-079-01	Linkage, Throttle	1
26	KH-25-158-11	Bushing, Linkage Retaining	1
27	KH-24-126-04	Bracket, Support	2

**SEAT AND SUPPORT**

REF. NO.	PART NUMBER	DESCRIPTION	QTY.
1	703-05861	Seat, Base	1
	777I20310	Graphic, Seat Adjuster	1
2	703-05877	Bracket, LH Seat Pivot	1
3	703-05878	Bracket, RH Seat Pivot	1
4	703-2628	Bracket, Fender Reinforcement	2
5	710-0276	Bolt, Carriage, 5/16-18 x 1.0	6
6	712-04063	Nut, Hx Insert Flange Lck, 5/16-18 GrF	12
7	731-3162A	Tray, Tool	1
	777I20310	Graphic, Seat Adjust	1
8	732-04352	Spring, Compression	2
9	738-0140	Bolt, Shoulder	2
10	757-04042	Seat, High Back w/Arm Rests	1
	777D09646	Graphic, Seat Back	1



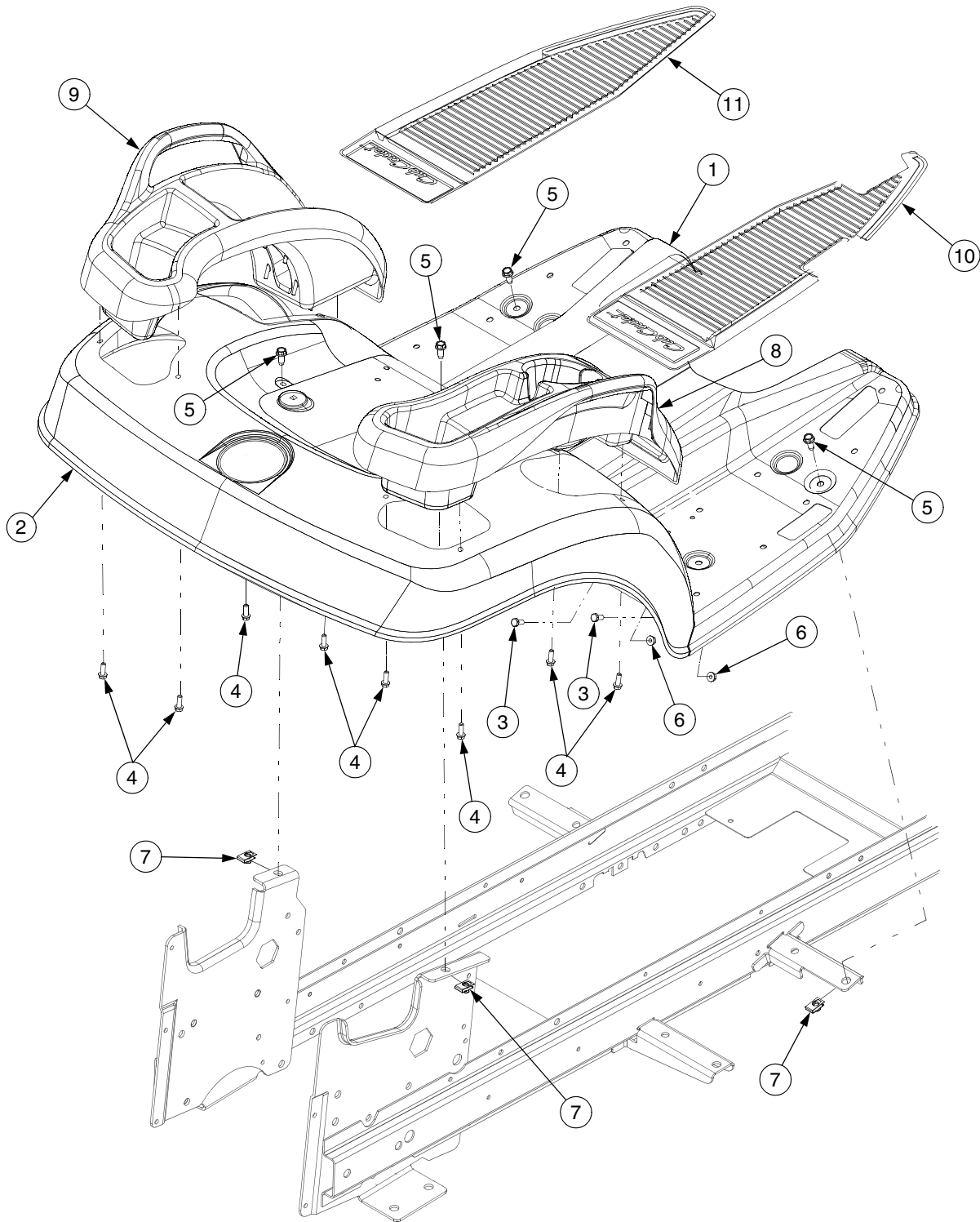
### GRILLE AND HOOD



## GRILLE AND HOOD

REF. NO.	PART NUMBER	DESCRIPTION	QTY.
1	603-04343	Bumper	1
2	710-04471	Screw, Ball Shoulder, 5/16-18 x.56	2
3	710-0623	Screw, Hx Washer Hd Tapp 3/8-16 x.750	4
4	710-0642	Screw, Hx Washer Hd Tapp 1/4-20 x .750	4
5	710-0895	Screw, 1/4-15 x.750	8
6	710-1260A	Screw, Hx Washer Hd Tapp 5/16- 18 x.750	4
7	712-04063	Nut, Flange Lock, 5/16-18 GR5	2
8	714-0104	Pin, Cotter,.072 Dia. x 1.13	1
9	726-0233	Nut, Push, .25 ID x .50 OD	4
10	731-05053A	Hood	1
	777D09721	Graphic, Cub Cadet RH	1
	777D09722	Graphic, Cub Cadet LH	1
	777D09720	Graphic, GT2554 LH	1
	777D09719	Graphic, GT2554 RH	1
11	731-05111	Lens	1
12	731-05161	Cover, Hood	1
13	731-05291	Vinyl Strip, 2.5"	1
14	731-05368	Cap, Bumper	4
15	731-05510	Grill	1
	777X42027	Reflector, Headlight	1
16	732-04281A	Latch Spring	1
17	747-04354B	Hood Pivot Rod	1
18	747-04423	Hood Latch Rod	1
19	747-1323A	Rod,.250 Dia. x 4.55	1
20	783-04717A	Latch Pivot Bracket	1
21	783-04724A	Upper Pivot Bracket	2
22	783-04725A	Hood Pivot Bracket	2
23	783-04848	Latch Plate	1
24	783-04971	Hood Hinge Bracket	1
25	710-0224	Screw, Hx Wash, Hd. AB, 10-16 x .5	1
26	726-0272	Clamp, 9/16	1
27	736-0400	Washer, Flat, .194 x .62 x .063	2

### FENDER AND RUNNING BOARD



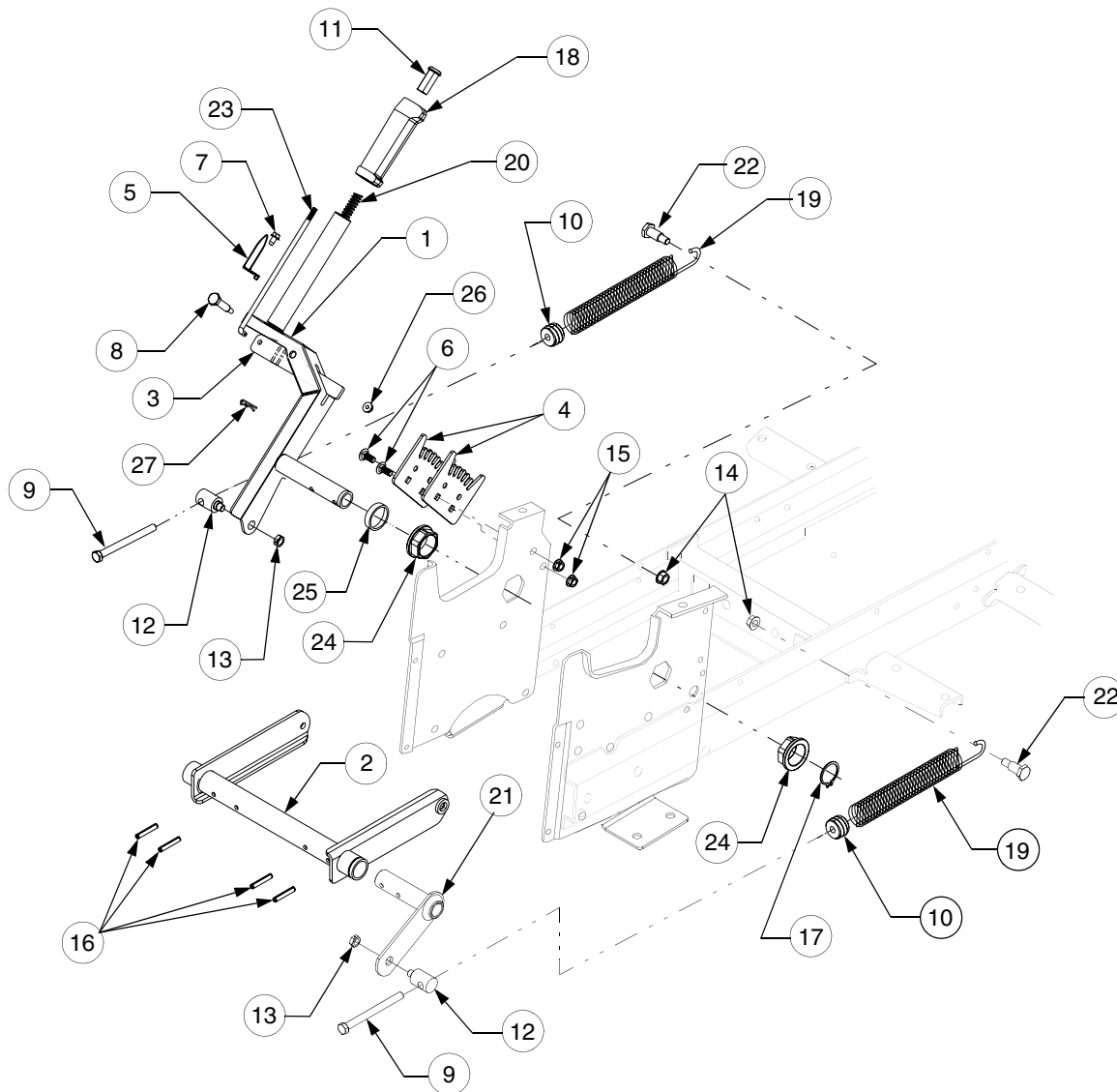
---

**FENDER AND RUNNING BOARD**

REF. NO.	PART NUMBER	DESCRIPTION	QTY.
1	703-05821	Running Board w/Graphic	1
	777S30170	Graphic, Warning	1
	777S32494	Graphic, Danger	1
	777I22604	Graphic, Maintenance	1
2	703-05869	Fender	1
	777D08321	Graphic, Shaft Drive	1
3	710-0751	Screw, Hex Cap, 1/4-20 x .62 GR5	6
4	710-0895	Screw, 1/4-15 x.750	8
5	710-1260A	Screw, Hex Wash Hd Tapp 5/16-18 x .750	4
6	712-3027	Nut, Hex Flange Lock, 1/4-20	6
7	726-0211	U-Nut, 5/16-18	4
8	731-05488	Cover, Fender RH	1
9	631-04206	Cover, Fender LH	1
10	735-3046A	Pad, RH Foot	1
11	735-3047	Pad, LH Foot	1

---

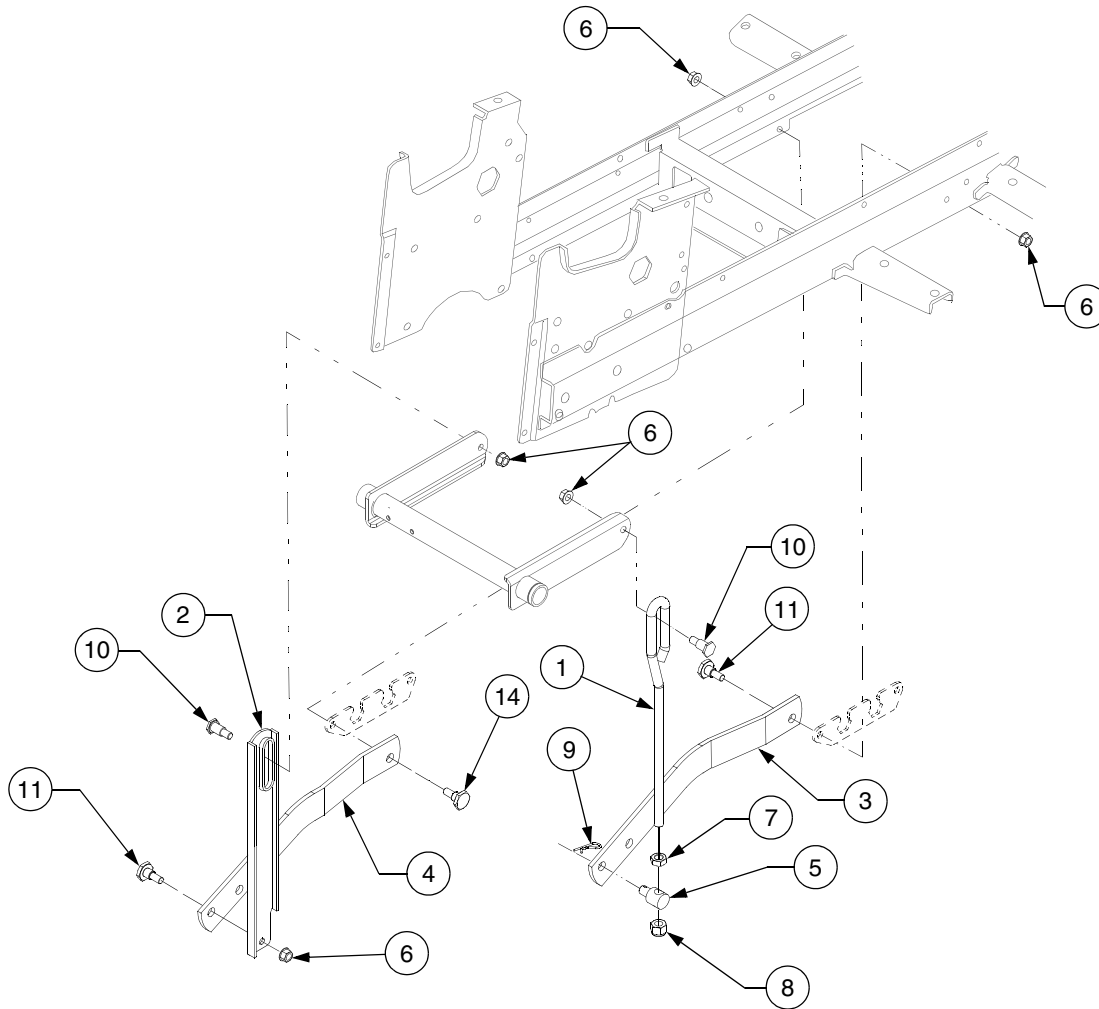
**IMPLEMENT LIFT HANDLE**



REF. NO.	PART NUMBER	DESCRIPTION	QTY.	REF. NO.	PART NUMBER	DESCRIPTION	QTY.
1	603-04141	Handle Assembly, Lift	1	14	712-0431	Nut, Hex Flanged Lock, 3/8-16	2
2	603-04140	Shaft Assembly, Lift	1	15	712-3004A	Nut, Hex Flanged Top Lock, 5/16-18	2
3	703-05247	Fork, Lift	1	16	715-0114	Pin, Spiral Spring, 1/4 Dia x 1.5	4
4	703-2239A	Bracket, Lift Index	2	17	716-0116	Ring, Snap, 1.25 Dia Shaft	1
5	703-2558	Indicator, Lift Height	1	18	731-3158	Grip, Lift Handle	1
6	710-0451	Bolt, Carriage, 5/16-18 x .75	2	19	732-3093	Spring, Extension	2
7	710-0599	Screw, Hex Wash Tapp, 1/4 x .5	1	20	732-3097	Spring, Compression	1
8	738-0560	Screw, Shoulder, .374 x 1.375	1	21	603-04139	Arm, Lift Assist RH	1
9	710-3279	Screw, Hex Cap, 3/8-16 x 4.25 GR5	2	22	738-0145	Bolt, Shoulder	2
10	711-0635	Insert, Spring	2	23	747-3175A	Rod, Index	1
11	711-0642A	Button, Handle	1	24	748-3051	Bearing, Hex Flange, 1.25 ID	2
12	711-3350	Ferrule, Adjustment	2	25	750-3131	Spacer, 1.28 ID x 1.5 OD x .335 Lg	1
13	712-0262	Nut, Hex Center Lock, Jam, 3/8-24	2	26	712-3027	Nut, Hex Flange Lock, 1/4-20	1
				27	714-0104	Pin, Internal Cotter	1

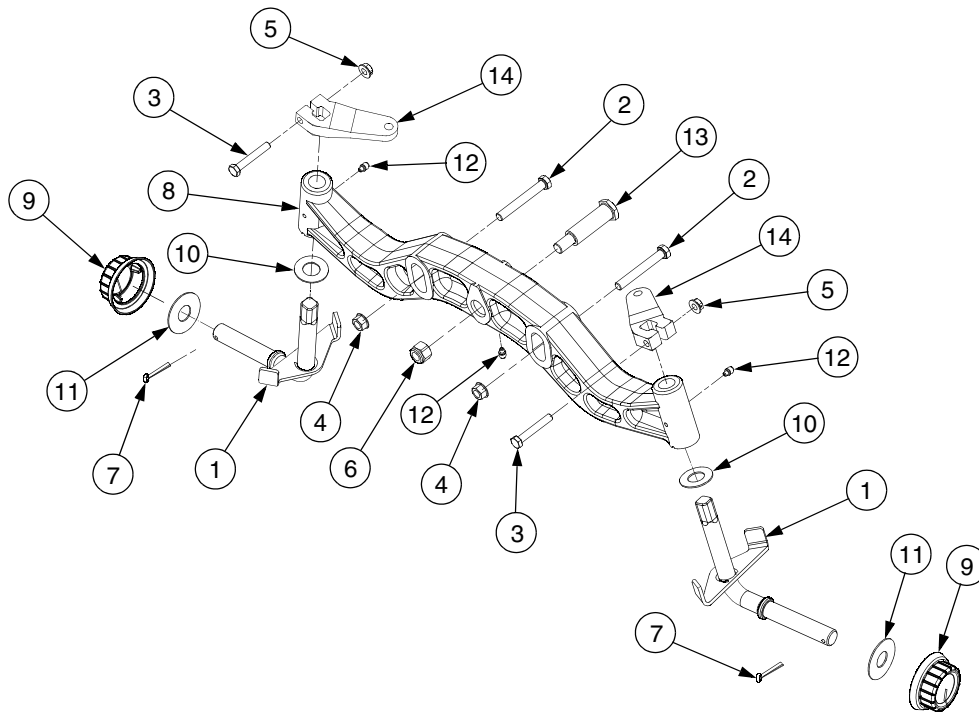


**IMPLEMENT LIFT HANGER**



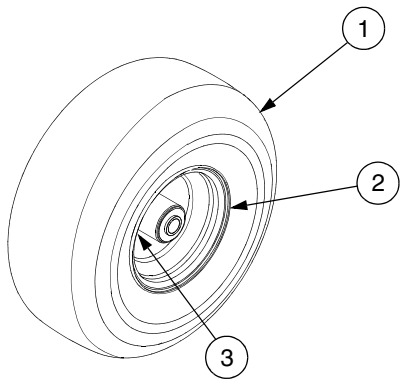
REF. NO.	PART NUMBER	DESCRIPTION	QTY.
1	747-04196	Rod, Lift Link	1
2	703-2234	Bracket, LH Hanger	1
3	703-2832	Link, RH Lift	1
4	703-2833	Link, LH Lift	1
5	711-3319	Ferrule, Adjustment	1
6	712-0431	Nut, Hex Flange Lock, 3/8-16	5
7	712-3048	Nut, Hex Jam, 1/2-13 GR5	1
8	712-3083	Nut, Hex Insert Lock, 1/2-13	1
9	714-0145	Pin, Internal Cotter	1
10	738-0430	Bolt, Shoulder	2
11	738-0507B	Bolt, Shoulder	3

## FRONT AXLE AND CONNECTIONS



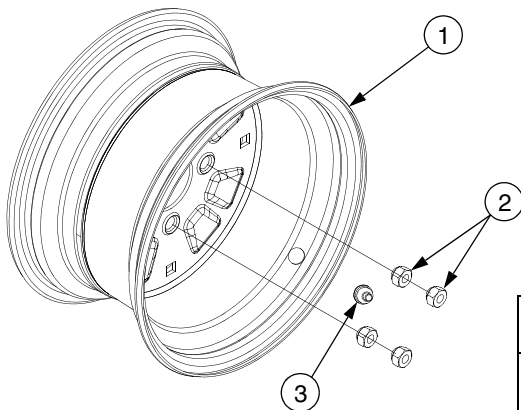
REF. NO.	PART NUMBER	DESCRIPTION	QTY.
1	603-04338	Axle Assembly	2
2	710-3066	Screw, Hex Cap, 3/8-16 x 2.75 GR8	2
3	710-3103	Screw, Hex Cap, 5/16-18 x 2 GR5	2
4	712-0431	Nut, Hex Flanged Lock, 3/8-16	2
5	712-3004A	Nut, Hex Flange Top Lock, 5/16-18	2
6	712-3083	Nut, Hex Top Nylon Lock, 1/2-13	1
7	714-04039	Pin, Cotter, 5/32 x 1.25	2
8	719-3095	Axle, Front Pivot	1
9	731-3020	Hubcap	2
10	736-0188	Washer, Flat, .760 x 1.49 x .06 Thk.	2
11	736-0866	Washer, Flat, .755 x 1.92 x .06	2
12	737-3000	Fitting, Lube, 3/16 Drive Type	3
13	738-3110	Bolt, Pivot Shoulder, 3/4 Dia x 2.23	1
14	748-3049	Arm, Steering	2

**FRONT WHEEL**



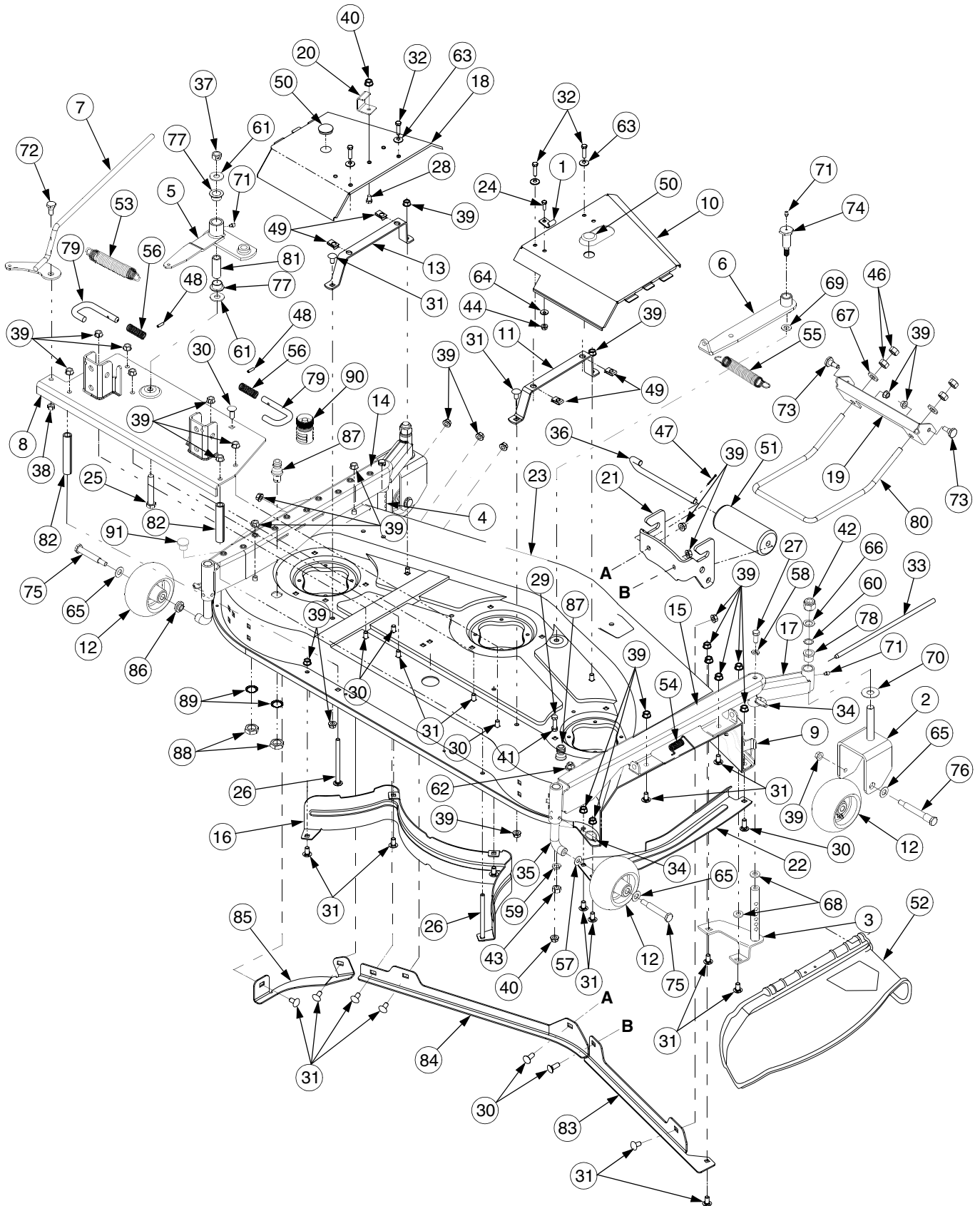
REF. NO.	PART NUMBER	DESCRIPTION	QTY.
1	734-3187	Tire, Cub Tread, 16 x 6.5 x 8	2
2	634-04090A	Rim Assy, Front	2
	734-0255	Valve, Tubeless Air	2
	741-04137	Bearing, Ball	4
3	737-0224	Fitting, Grease (Not Seen)	4

**REAR WHEEL**



REF. NO.	PART NUMBER	DESCRIPTION	QTY.
	734-3190	Tire, Cub Tread, 23 x 9.5 x 12	2
1	634-3189	Rim Assy, Rear	2
2	712-3050	Nut, Lug, 7/16-14	8
3	734-0255	Valve, Tubeless Air	2

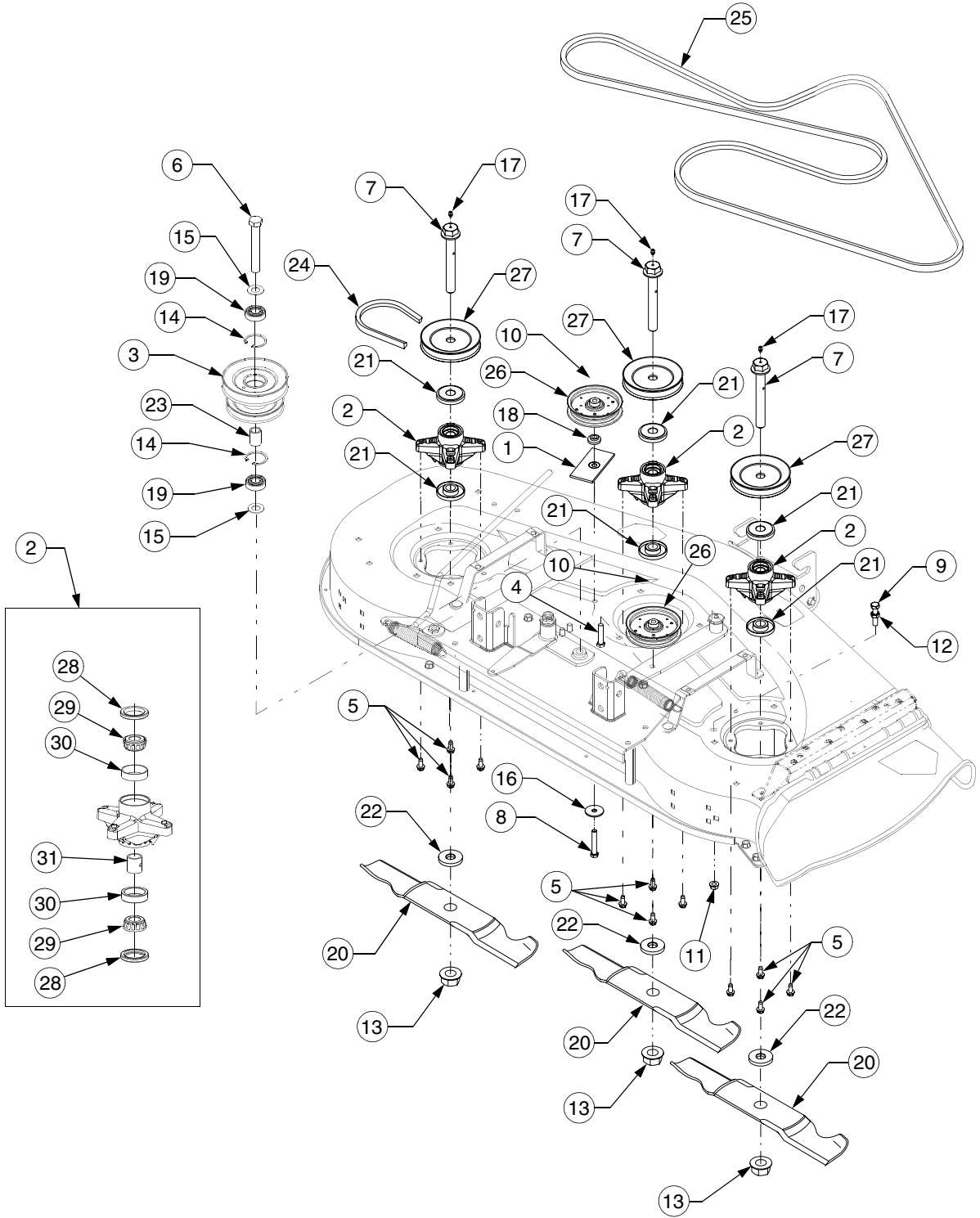
# 54" DECK ASSEMBLY



## 54" DECK ASSEMBLY

REF. NO.	PART NUMBER	DESCRIPTION	QTY.	REF. NO.	PART NUMBER	DESCRIPTION	QTY.
1	16606	Brack, Hook Retainer .....	1	44	712-3027	Nut, Hex Flange Lock 1/4-20 .....	1
2	603-0031A	Bracket, Wheel .....	2	46	712-0206	Nut, Hex, 1/2-13 .....	4
3	603-0110	Spindle, Adjustment RH .....	1	47	714-3004	Pin, Cotter 3/32 x 1.25 .....	1
4	603-0111	Spindle, Adjustment LH .....	1	48	715-3003	Pin, Spirol .....	2
5	603-04094	Bracket, Idler .....	1	49	726-0211	Nut, "U" 5/16-18 .....	4
6	603-04107	Bracket, Idler .....	1	50	726-3045	Plug, Button .....	2
7	603-04113	Handle .....	1	51	731-3005	Roller, Front .....	1
8	603-04135	Bracket, Rear Hanger .....	1	52	731-3131A	Deflector, Chute .....	1
9	703-3279	Bracket, Chute Stop .....	1		777S30145	Label, Danger .....	1
10	703-05269	Cover, Belt RH .....	1	53	732-0861	Spring, Extension .....	1
11	703-05270	Strap, Mounting .....	1	54	732-3070	Spring, Torsion .....	1
12	703-1890	Wheel, Ball w/Fitting, 5 in .....	4	55	732-3120A	Spring, Extension .....	1
	737-0280	Fitting, Lube .....	4	56	732-3127	Spring, Compression .....	2
13	703-2072	Strap, Mounting .....	1	57	736-0105	Washer, Bell, .375 x .87 x .063 .....	1
14	703-2081A	Channel, Castor LH .....	1	58	736-0169	Washer, Lock 3/8" I.D. ....	2
15	703-2083	Channel, Castor RH .....	1	59	736-0171	Washer, Lock 7/16" I.D. ....	1
16	703-2093	Baffle, Rear Inner .....	1	60	736-0174	Washer, Wave, .625 x .885 x .015 ...	2
17	703-2094	Castor, Front .....	2	61	736-0179	Washer, Flat, .5 x 1.25 x .10 .....	2
18	703-2096C	Cover, Belt LH .....	1	62	736-0192	Washer, Flat, .535 x .93 x .09 .....	1
19	703-2248	Bracket, Front Lift .....	1	63	736-0242	Washer, Bell .34" I.D. ....	4
20	703-2559	Bracket, Stop .....	1	64	736-0270	Washer, Bell .265 x .75 x .062 .....	1
21	703-3043A	Bracket, Roller Front .....	1	65	736-0272	Washer, Flat, .51 x 1.0 x .06 .....	4
22	703-3511	Guard, Finger .....	1	66	736-0290	Washer, Flat, .625 x 1.0 x .067 .....	2
23	703-4133B	Deck .....	1	67	736-3019	Washer, Flat, .531 x 1.062 x .134 HT	2
	777D07875	Label, 54" .....	2	68	736-3004	Washer, Flat, .406 x .875 x .105 .....	4
	777S30503	Label, Danger .....	1	69	736-3015	Washer, Flat, .469 x .875 x .105 .....	1
	777S30015	Label, Danger L.H. Side .....	1	70	736-3088	Washer, Flat, 1.595 x .635 x .062 HT	2
	777S30014	Graphic, Caution Spring Tension	1	71	737-3000	Fitting, Lube, 3/16 Drive .....	4
	777I22485	Graphic, Belt Routing .....	1	72	738-0143	Screw, Shoulder, .498 x .34: 3/8-16	1
24	710-0751	Screw, Hex Cap 1/4-20 x .62 GR5 ..	1	73	738-0507B	Screw, Shoulder, .5 x .434: 3/8-16 ...	2
25	710-1010	Screw, Hex Cap, 1/2-20 x 3.0 GR8 ..	1	74	738-3005A	Screw, Shoulder, .68 x 1.59 .....	1
26	710-1644	Carriage, Bolt 3/8-16 x 5.0 GR5 .....	2	75	738-3056	Screw, Shoulder, .5 x 2.5 .....	2
27	710-3001	Screw, Hex Cap, 3/8-16 x .88 GR5 ..	2	76	738-3093	Screw, Step Shoulder, 5/8-1/2 x 3.41	2
28	710-3039	Screw, Hex Cap, 5/16-18 x .5 GR5 ..	1	77	741-0338	Bearing, Flange, 3/4 x .52 .....	2
29	710-3073	Screw, Hex Cap, 5/16-18 x 2.25 GR5	1	78	741-0353	Bearing, Flange, .63 ID .....	4
30	710-3168	Carriage, Bolt 3/8-16 x 1.0 .....	7	79	747-3188	Pin, Mower Support .....	2
31	710-3178	Carriage, Bolt 3/8-16 x .75 .....	27	80	747-3172C	Rod, Deck Hanger .....	1
32	710-0376	Screw, Hex Cap, 5/16-18 x 1 GR5 ...	4	81	750-3136	Spacer, .5 x .75 x 2.07" Lg. ....	1
33	711-1762	Pin, Hinged .375 x 14.06 .....	1	82	750-3213	Spacer, .405" x .75 x 3.875" Lg. ....	2
34	711-3266	Pin, Clevis w/Ball Detent .....	4	83	783-1482	Skirt, RH Deck .....	1
35	711-3312	Axle, Castor .....	2	84	783-1483	Skirt, LH Deck .....	1
36	711-3314	Pin, Roller 1/2 x 7.31 .....	1	85	783-1484	Skirt, LH Extension .....	1
37	712-0239	Nut, Hex Lock, 1/2-20 GRA .....	1	86	738-0372B	Spacer, Shoulder .....	1
38	712-0375	Nut, Hex Lock, 3/8-16 GRA .....	1	87	737-04003B	Nozzle, Deck Wash .....	2
39	712-0431	Nut, Flange Lock 3/8-16 .....	40	88	712-0641	Nut, Hex, M16-1.5 .....	3
40	712-3004A	Nut, Flange Lock, 5/16-18 GR5 .....	2	89	736-0760	Washer, Lock .....	3
41	712-3010	Nut, Hex, 5/16-18 GR5 .....	1	90	721-04041	Adapter, Water Nozzle .....	1
42	712-3016	Nut, Hex Lock 5/8-11 .....	2	91	738-04146	Plug, Screw, M16-1.5 .....	1
43	712-3019	Nut, Hex, 7/16-14 GR2 .....	1				

### 54" DECK DRIVE & SPINDLE ASSEMBLY



### 54" DECK DRIVE & SPINDLE ASSEMBLY

REF. NO.	PART NUMBER	DESCRIPTION	QTY.
1	603-0646	Assembly, Spacer .....	1
2	618-3129C	Assembly, Spindle ..... Includes Ref. Nos. 28 thru 31	3
3	656-3002	Pulley Assembly, Double .....	1
	737-3000	Fitting, Lube .....	1
4	710-0347	Screw, Hex Cap ..... 3/8-16 x 1.75 GR5	1
5	710-0602	Screw, Hex Wash Hd Tapp ..... 5/16-18 x 1.0	12
6	710-0923	Screw, Hex Cap, 5/8-18 x 3 GR5 .....	1
7	710-1693	Bolt, Spindle, 3/4-16 x 5.215 .....	3
8	710-3066	Screw, Hex Cap ..... 3/8-16 x 2.75 GR8	1
9	710-3073	Screw, Hex Cap, 5/16-18 x 2.25 GR5	1
10	712-0431	Nut, Flange Lock 3/8-16 GRF .....	2
11	712-3004A	Nut, Flange Lock, 5/16-18 GR5 .....	1
12	712-3010	Nut, Hex, 5/16-18 GR5 .....	1
13	712-3078	Nut, Hex Flange, 3/4-16 .....	3
14	716-3020	Ring, Internal Retaining .....	2
15	736-0237	Washer, Flat .65 x 1.25 x .075 .....	2
16	736-3039	Washer, Flat .406 x 1.5 x .105 .....	1
17	737-3000	Fitting, Grease .....	3
18	738-0372B	Spacer, Shoulder .....	1
19	741-1122	Bearing, Ball,	2
20	759-3820	Blade, High Lift 18.5" Lg. ....	3
	759-3841	Blade, Hard Coated .....	3
21	748-3065A	Spacer, Deck Spindle .....	6
22	748-3101	Spacer, Blade .....	3
23	750-3132	Spacer, .635 x .88 x 1.25 .....	1
24	754-04047	Belt, "V" 114.2" Lg. ....	1
25	754-04055	Belt, "V" 111.4" Lg. ....	1
26	756-04129	Pulley, Flat, 4.25 Dia. ....	2
27	756-3096	Pulley, "V" .....	3
28	721-3018A	Seal, Oil, 1.25 x 1.874 x .25 .....	6
29	741-04129	Bearing, Cone .....	6
30	741-04130	Cup, Bearing .....	6
31	750-3190A	Spacer, Bearing .....	3