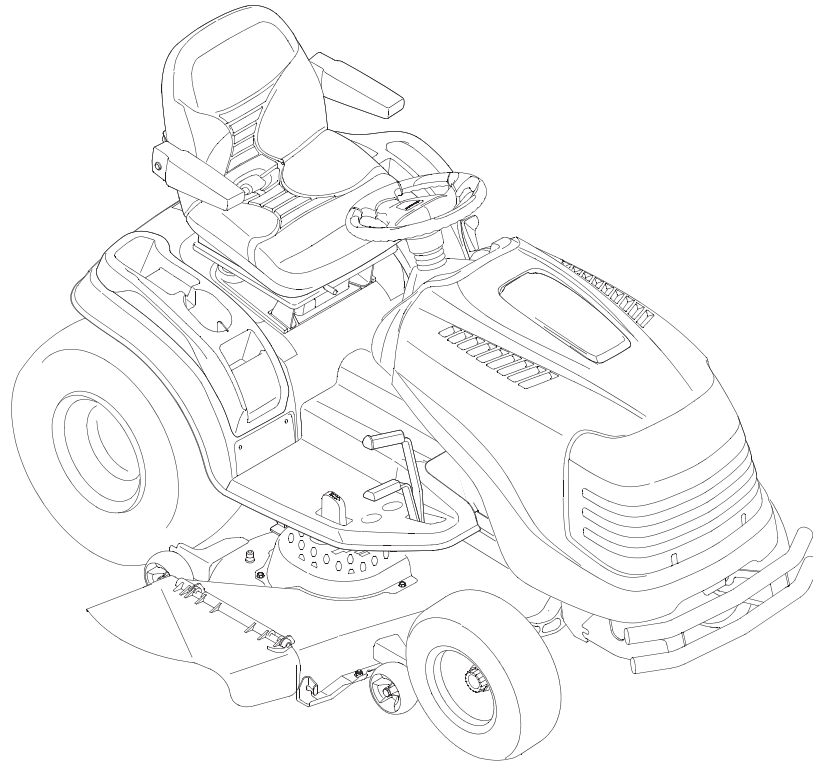


---

# *Cub Cadet.*

## Illustrated Parts Manual



### **SERIES 2500 TRACTOR Model GT 2554**

---

CUB CADET LLC, P.O. BOX 361131 CLEVELAND, OHIO 44136-0019

---

---

**MODEL GT 2554**
**TABLE OF CONTENTS**

| DESCRIPTION                      | PAGE | DESCRIPTION                               | PAGE |
|----------------------------------|------|---|------|
| Axle, Front .....                | 3    | Engine Mounting .....                     | 30   |
| Battery .....                    | 13   | Fender .....                              | 18   |
| Brakes .....                     | 4    | Frame .....                               | 16   |
| Controls                         |      | Fuel Tank .....                           | 24   |
| Engine .....                     | 14   | Grille .....                              | 20   |
| Pedals .....                     | 4    | Hood .....                                | 20   |
| Transmission .....               | 4    | Hydraulic Filter .....                    | 12   |
| Dash Panel .....                 | 14   | Neutral Linkage and Hydrauling Tube ..... | 12   |
| Drawbar .....                    | 16   | Hydrostatic Pump .....                    | 10   |
| Drive Line .....                 | 7    | Implement Lift Handle .....               | 22   |
| Electrical                       |      | Implement Lift Links .....                | 23   |
| Switches .....                   | 13   | Muffler .....                             | 30   |
| Wiring .....                     | 13   | PTO Clutch .....                          | 24   |
| Engine                           |      | Running Board .....                       | 18   |
| Air Filter .....                 | 36   | Seat .....                                | 17   |
| Blower Housing and Baffles ..... | 31   | Steering .....                            | 6    |
| Breather .....                   | 33   | Transmission, Hydro .....                 | 8    |
| Carburetor .....                 | 37   | Wheels, Front & Rear .....                | 25   |
| Controls .....                   | 40   | 54" Mower Deck .....                      | 26   |
| Crankcase .....                  | 32   |   |      |
| Crankshaft .....                 | 34   |   |      |
| Cylinder Head .....              | 33   |   |      |
| Electrical .....                 | 39   |   |      |
| Exhaust .....                    | 34   |   |      |
| Flywheel .....                   | 39   |   |      |
| Fuel System .....                | 37   |   |      |
| Oil Pan .....                    | 35   |   |      |
| Starter .....                    | 38   |   |      |
| Valves .....                     | 33   |   |      |

**NOTE:** For painted parts, please refer to the list of color codes below. Please add the applicable color code, wherever needed, to the part number to order a replacement part.

For instance, if a part, numbered 700-xxxx, is painted Cub Yellow, the part number to order would be 700-xxxx-0716.

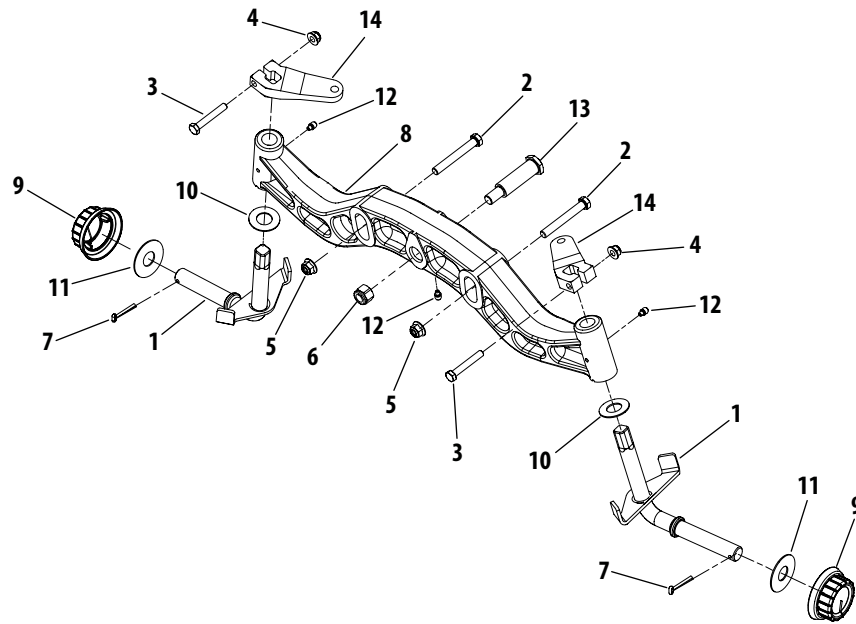
Cub Yellow: 0716

Cub Beige: 0499

Cub Blue: 0685

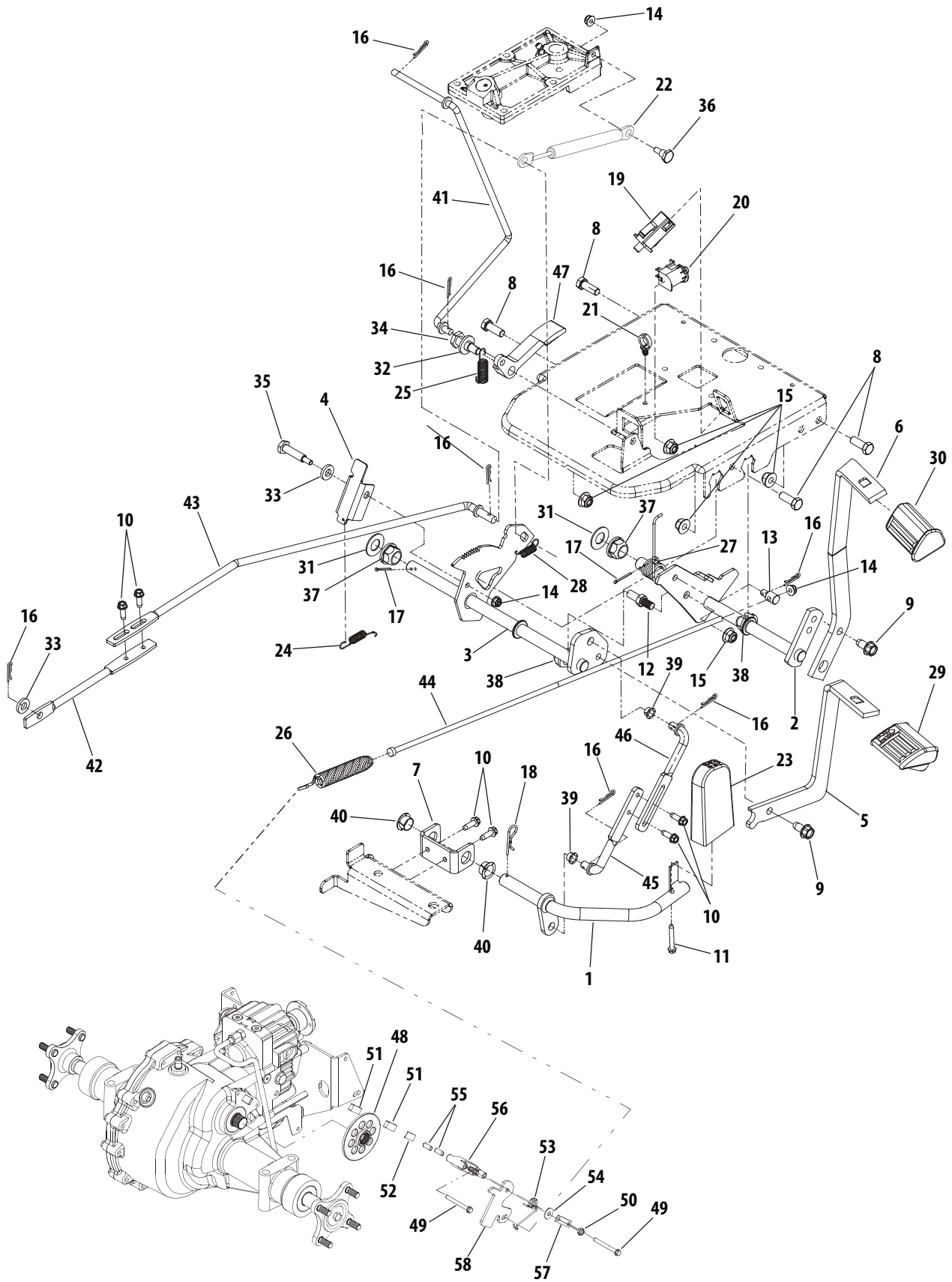
Powder Black: 0637

## Front Axle



| REF. NO. | PART NUMBER | DESCRIPTION                          | QTY. |
|----------|-------------|--------------------------------------|------|
| 1        | 603-04338   | Axle Assembly                        | 2    |
| 2        | 710-3066    | Screw, Hex Cap, 3/8-16 x 2.75 GR8    | 2    |
| 3        | 710-3103    | Screw, Hex Cap, 5/16-18 x 2 GR5      | 2    |
| 4        | 712-04065   | Nut, Hex Flanged Lock, 3/8-16        | 2    |
| 5        | 712-04063   | Nut, Hex Flange Top Lock, 5/16-18    | 2    |
| 6        | 712-3083    | Nut, Hex Top Nylon Lock, 1/2-13      | 1    |
| 7        | 714-04039   | Pin, Cotter, 5/32 x 1.25             | 2    |
| 8        | 719-3095    | Axle, Front Pivot                    | 1    |
| 9        | 731-3020    | Hubcap                               | 2    |
| 10       | 736-0188    | Washer, Flat, .760 x 1.49 x .06 Thk. | 2    |
| 11       | 736-0866    | Washer, Flat, .755 x 1.92 x .06      | 2    |
| 12       | 737-3000    | Fitting, Lube, 3/16 Drive Type       | 3    |
| 13       | 738-3110    | Bolt, Pivot Shoulder, 3/4 Dia x 2.23 | 1    |
| 14       | 748-3049    | Arm, Steering                        | 2    |

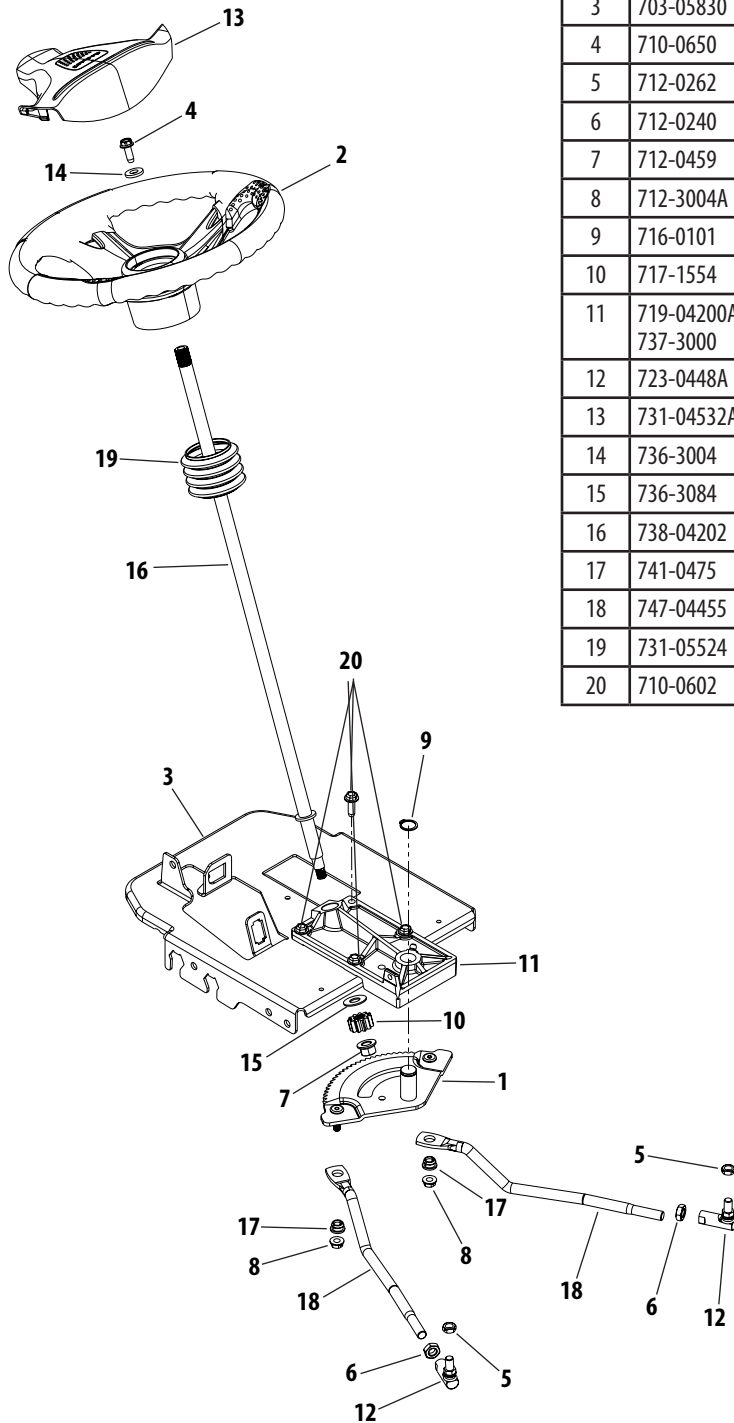
### Brake and Control Pedals



## Brake and Control Pedals

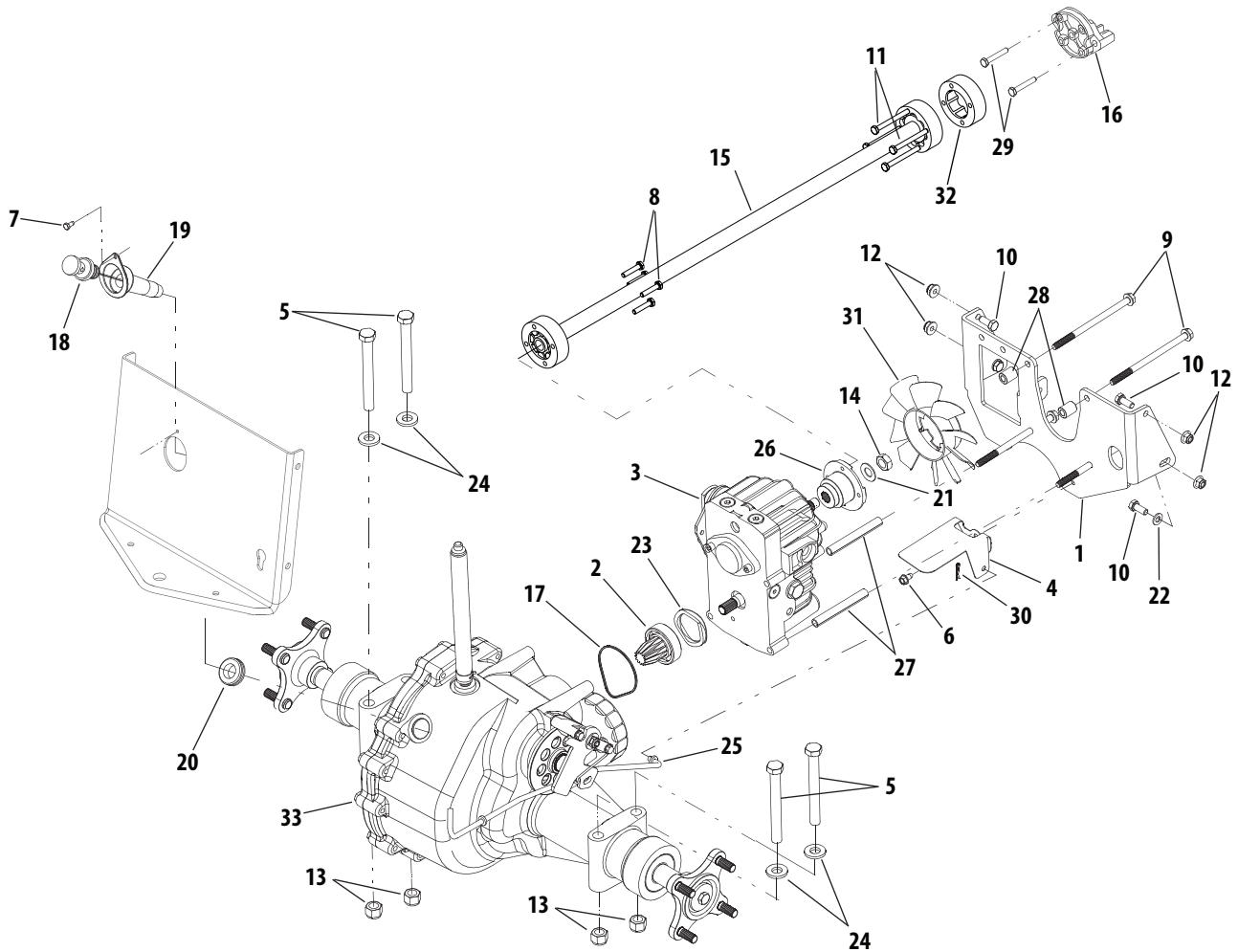
| REF. NO. | PART NUMBER | DESCRIPTION                           | QTY. | REF. NO. | PART NUMBER | DESCRIPTION                              | QTY. |
|----------|-------------|---------------------------------------|------|----------|-------------|--|------|
| 1        | 603-0412    | Pedal Assy, Reverse                   | 1    | 29       | 735-3048    | Pad, Forward Foot Control                | 1    |
| 2        | 603-04313A  | Shaft Assy, Brake                     | 1    | 30       | 735-3049A   | Pad, Brake Foot                          | 1    |
| 3        | 603-04314   | Shaft Assy, Forward/Reverse           | 1    | 31       | 736-0187    | Washer, Flat, .64 x 1.24 x .06 HT        | 2    |
| 4        | 703-05873   | Bracket, Reverse Switch               | 1    | 32       | 736-0326    | Washer, Flat, .51 x 1.0 x .125           | 1    |
| 5        | 703-2570A   | Pedal, Forward                        | 1    | 33       | 736-3010    | Washer, Flat, .407 x .812 x .135 HT      | 2    |
| 6        | 703-2573A   | Pedal, Brake                          | 1    | 34       | 738-0145    | Shoulder Bolt, .50 OD x .840             | 1    |
| 7        | 703-2938    | Bracket, Reverse Pivot                | 1    | 35       | 738-0560    | Screw, Shoulder, .374 x 1.375            | 1    |
| 8        | 710-0514    | Screw, Hex Cap, 3/8-16 x 1.0 GR5      | 4    | 36       | 738-0974    | Screw, Shoulder, .375 x .380:1/4-20      | 1    |
| 9        | 710-0623    | Screw, Hex Wash Hd Tapp, 3/8-16x .75  | 2    | 37       | 741-0225    | Bearing, Hex Flange                      | 2    |
| 10       | 710-0642    | Screw, Hex Wash Hd Tapp, 1/4-20x .75  | 6    | 38       | 741-3065B   | Bearing, Hex Flange Split                | 2    |
| 11       | 710-0796    | Screw, Truss Mach, #12 x 1.5          | 1    | 39       | 741-3073    | Bearing, Flange, .375 x .58 x .25        | 2    |
| 12       | 711-04543   | Pin, 3/8-16 x 1.0                     | 1    | 40       | 741-3074    | Bearing, Flange, .625 x .938 x .344      | 2    |
| 13       | 711-0736    | Ferrule, Adjustment, 1/4-20 Thrd      | 1    | 41       | 747-04426   | Rod, Cruise                              | 1    |
| 14       | 712-04064   | Nut, Hex Flange Lock, 1/4-20          | 3    | 42       | 747-04478   | Rod, Rear F/R Control                    | 1    |
| 15       | 712-04065   | Nut, Hex Flange Lock, 3/8-16          | 4    | 43       | 747-04479   | Rod, Front F/R Control                   | 1    |
| 16       | 714-0104    | Pin, Internal Cotter, 5/16 Dia x 1.12 | 7    | 44       | 747-04516   | Rod, Brake                               | 1    |
| 17       | 714-0111    | Pin, Cotter, 3/32 x 1.0               | 2    | 45       | 747-3341A   | Rod, Rear Connecting                     | 1    |
| 18       | 714-0145    | Pin, Internal Cotter, 3/8 Dia x 1.62  | 1    | 46       | 747-3383    | Rod, Front Connecting                    | 1    |
| 19       | 725-3164A   | Switch, Interlock (Brake)             | 1    | 47       | 748-04102   | Latch, Cruise                            | 1    |
| 20       | 725-3167    | Switch, Snap Mount (Reverse)          | 1    | 48       | 761-0215    | Disc, Brake                              | 1    |
| 21       | 725-3055    | Clip, Cable Retainer                  | 1    | 49       | 710-1206    | Screw, Hex Wash Hd, Tapp, 1/4-20 x 2.375 | 2    |
| 22       | 727-04141   | Cylinder, Damper, .59 OD x 7.84 Lg    | 1    | 50       | 712-0273    | Nut, Hex Nylon Lock, 5/16-24             | 1    |
| 23       | 731-3205    | Pedal, Reverse                        | 1    | 51       | 717-0678    | Pad, Brake                               | 2    |
| 24       | 732-0418    | Spring, Extension, .38 OD x 2.1       | 1    | 52       | 717-0682    | Plate, Puck                              | 1    |
| 25       | 732-04354   | Spring, Extension                     | 1    | 53       | 732-0925    | Spring, Torsion                          | 1    |
| 26       | 732-0463A   | Spring, Extension                     | 1    | 54       | 736-0371    | Washer, Flat, .343 x .88 x .062          | 1    |
| 27       | 732-0756A   | Spring, Torsion                       | 1    | 55       | 741-0343    | Pin, Brake Actuating                     | 2    |
| 28       | 732-3118    | Spring, Extension, .375 OD x 1.44     | 1    | 56       | 761-0207A   | Yoke, Brake                              | 1    |
|          |             |                                       |      | 57       | 761-0208    | Bracket, Brake Anti Rotation             | 1    |
|          |             |                                       |      | 58       | 761-3074    | Arm, Brake Actuator                      | 1    |

## Steering



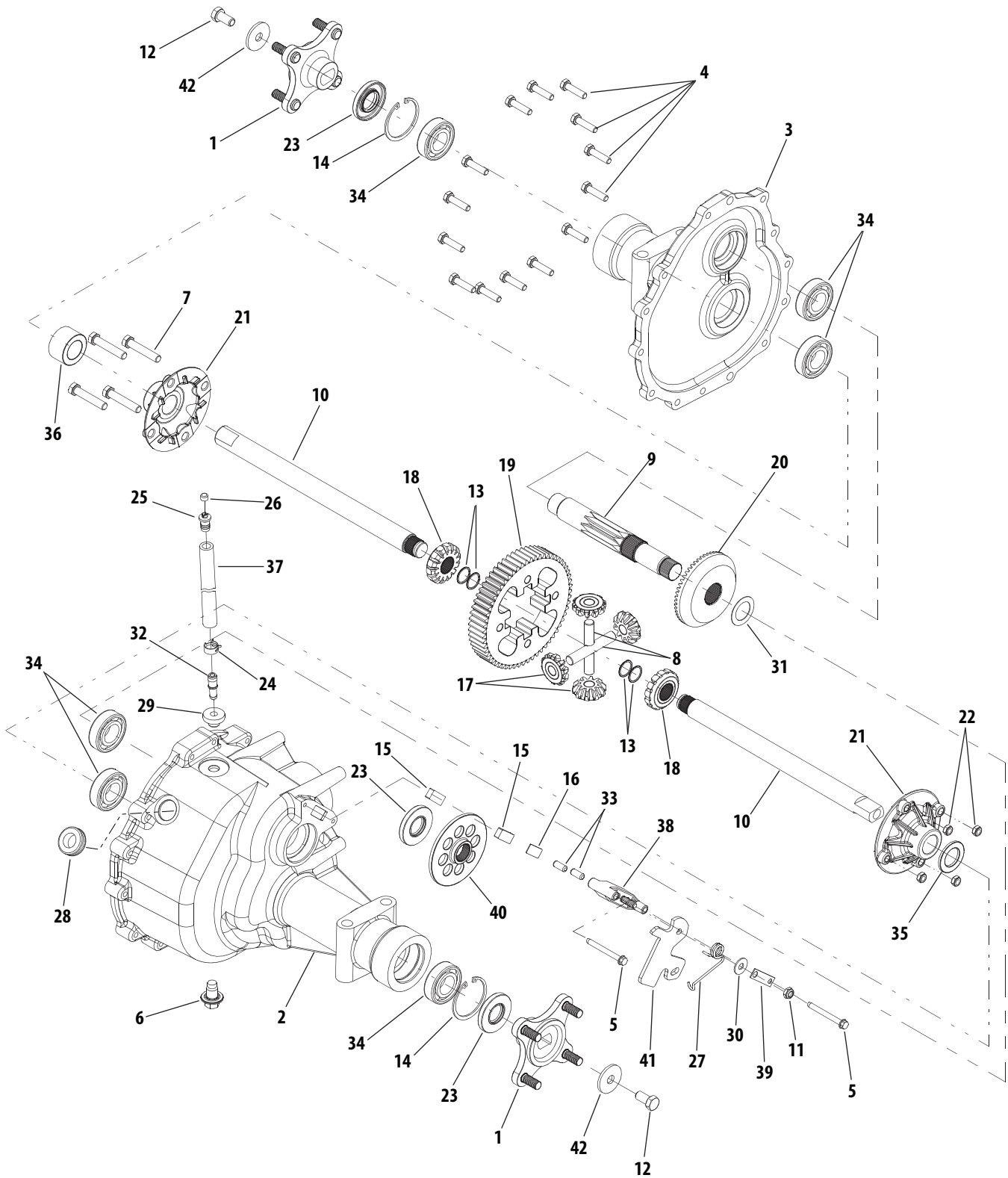
| REF. NO. | PART NUMBER            | DESCRIPTION  | QTY.   |
|----------|------------------------|--|--------|
| 1        | 617-04034              | Gear Assy, Segment   | 1      |
| 2        | 631-04008              | Wheel, Steering, Soft Grip                                 | 1      |
| 3        | 703-05830              | Bracket, Steering Support                                  | 1      |
| 4        | 710-0650               | Screw, Hx. Wash. Hd Tapp, 5/16-18 x .875                   | 1      |
| 5        | 712-0262               | Nut, Hex Jam Lock, 3/8-24 Gr2                              | 2      |
| 6        | 712-0240               | Nut, Hex Jam, 7/16-20 GR2                                  | 2      |
| 7        | 712-0459               | Nut, Flange Lock 7/16-20 GrB                               | 1      |
| 8        | 712-3004A              | Nut, Hex Flange Lock, 5/16-18 GR5                          | 2      |
| 9        | 716-0101               | Ring, Snap, .75 Dia Shaft                                  | 1      |
| 10       | 717-1554               | Gear, Steering Pinion                                      | 1      |
| 11       | 719-04200A<br>737-3000 | Housing Assy, Steering<br>Fitting, Grease, 3/16 Drive Type | 1<br>1 |
| 12       | 723-0448A              | Joint, Ball, 3/8-24  | 4      |
| 13       | 731-04532A             | Cover, Steering Wheel                                      | 1      |
| 14       | 736-3004               | Washer, Flat, .406 x .875 x .105 Thk                       | 1      |
| 15       | 736-3084               | Washer, Flat, .51 x 1.12 x .03 Thk                         | 1      |
| 16       | 738-04202              | Shaft, Steering, .625 x 27.10                              | 1      |
| 17       | 741-0475               | Plastic Bushing, .38 ID                                    | 2      |
| 18       | 747-04455              | Link, Drag   | 2      |
| 19       | 731-05524              | Bellow, Steering, 2.12 Lg                                  | 1      |
| 20       | 710-0602               | Screw, Hx. Wash. Hd Tapp, 5/16-18 x 1.0                    | 4      |

## Drive Line



| REF. NO. | PART NUMBER | DESCRIPTION                         | QTY. | REF. NO. | PART NUMBER    | DESCRIPTION   | QTY. |
|----------|-------------|-------------------------------------|------|----------|----------------|---|------|
| 1        | 603-0707    | Bracket, Torque                     | 1    | 18       | 727-3195       | Dipstick, Transmission                                      | 1    |
| 2        | 617-3002    | Gear Assembly, Pinion               | 1    | 19       | 731-3294       | Holder, Dipstick  | 1    |
| 3        | 618-3243    | Transmission, Hydrostatic           | 1    | 20       | 735-0277A      | Grommet, Rubber, .75 x 1.063                                | 1    |
| 4        | 703-4093    | Spring Plate, Hydro Dump            | 1    | 21       | 736-0253       | Washer, Belleville  | 1    |
| 5        | 710-0465    | Screw, Hex Cap, 1/2-20 x 4.5 GR5    | 4    | 22       | 736-0275       | Washer, Flat, .344 x .688 x .065                            | 2    |
| 6        | 710-0599    | Scrw, Hx Wsh Hd Tapp, 1/4-20 x .5   | 1    | 23       | 736-0619       | Washer, Spring  | 1    |
| 7        | 710-0919    | Scrw, Hx Wsh Hd Tapp, 10-16 x .44   | 1    | 24       | 736-3019       | Washer, Flat, .531 x 1.062 x .134                           | 4    |
| 8        | 710-1062    | Screw, Hex Patch, 1/4-20 x 1.25 GR5 | 4    | 25       | 747-3417B      | Rod, Hydro Dump Valve                                       | 1    |
| 9        | 710-1888    | Scrw, Hx Hd Tapp, 5/16-18 x 5.25    | 4    | 26       | 748-3093       | Adapter, Hydro Pump   | 1    |
| 10       | 710-3008    | Screw, Hex Cap, 5/16-18 x .75 GR5   | 4    | 27       | 750-3349       | Spacer, Hydro, .323 x .443 3.51                             | 2    |
| 11       | 710-04743   | Screw, Hex Patch, 1/4-20 x 2.5 Gr5  | 4    | 28       | 750-3350       | Spacer, Hydro, .323 x .600 x .74                            | 2    |
| 12       | 712-04063   | Nut, Hex Lock, 5/16-18              | 4    | 29       | KH-24-086-17-S | Screw, Hex Patch, M10-1.5x 90mm                             | 2    |
| 13       | 712-3058    | Nut, Hex Nylon Lock, 1/2-20 GR2     | 4    | 30       | 714-0104       | Internal Cotter Pin   | 1    |
| 14       | 712-3059    | Nut, Hex Top Lock Jam, 1/2-20       | 1    | 31       | 731-3297       | Fan, Pump   | 1    |
| 15       | 618-04610   | Shaft, Drive, 29.75 Lg              | 1    | 32       | 718-04428      | Adapter, Drive Shaft  | 1    |
| 16       | 719-3096    | Adapter, Engine                     | 1    | 33       |                | Transmission Assembly, Hydro —See Pages 8-9 for Parts Info. | 1    |
| 17       | 721-0519    | Seal, Gland                         | 1    |          |                |   |      |

# Hydro Transmission

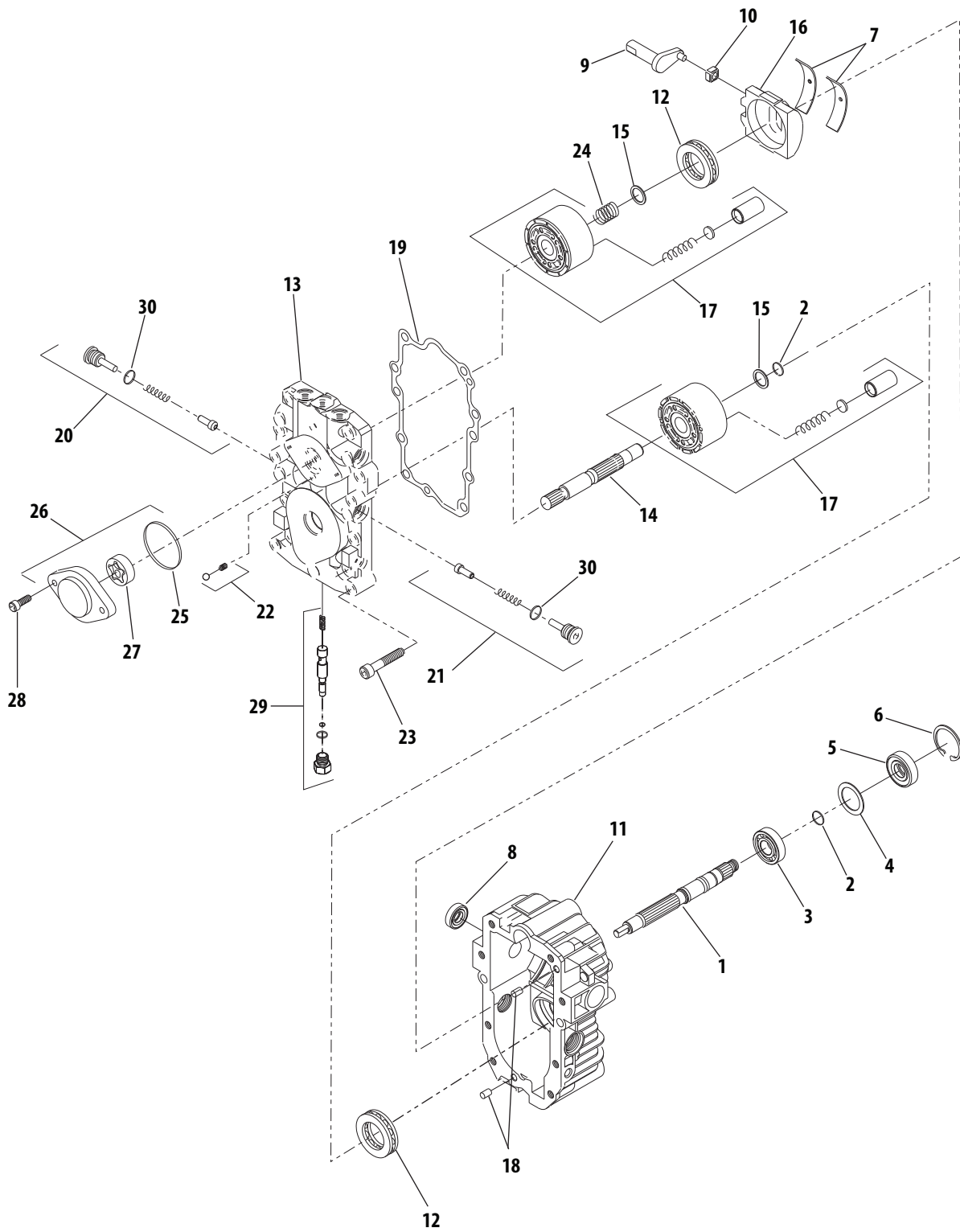




## Hydro Transmission

| REF. NO. | PART NUMBER | DESCRIPTION   | QTY. | REF. NO. | PART NUMBER | DESCRIPTION                          | QTY. |
|----------|-------------|---|------|----------|-------------|--------------------------------------|------|
|          | 618-04176   | Transmission Assembly, Hydro — Does not include Ref Nos. 1, 12 & 42 | 1    | 23       | 721-0523    | Seal, Oil, 1.0 x 2.047 x .2755       | 3    |
| 1        | 618-04317   | Hub Ass'y, Wheel  | 2    | 24       | 726-0324    | Clamp, Hose                          | 1    |
| 2        | 619-3071A   | Housing, RH Transmission  | 1    | 25       | 731-1480    | Vent, Plastic                        | 1    |
| 3        | 619-3072    | Housing, LH Transmission  | 1    | 26       | 731-1481    | Cap, Plastic Vent                    | 1    |
| 4        | 710-0573    | Screw, Hex Cap Lock, 5/16-18 x 1.25 GR5                             | 14   | 27       | 732-0925    | Spring, Torsion                      | 1    |
| 5        | 710-1206    | Screw, Hex Wash Hd. Tapp, 1/4-20 x 2.375                            | 2    | 28       | 735-0277A   | Grommet, Rubber, .75 x 1.063         | 1    |
| 6        | 710-1633    | Screw, Plug, M14 x 1.5 x .827                                       | 1    | 29       | 735-0279    | Grommet, Rubber, .362 x .56          | 1    |
| 7        | 710-3144    | Screw, Hex Cap Lock, 3/8-16 x 2.0 GR5                               | 6    | 30       | 736-0371    | Washer, Flat, .343 x .88 x .062      | 1    |
| 8        | 711-1052A   | Shaft, Cross, .50 x 3.005   | 2    | 31       | 736-0615    | Washer, Thrust, 1.007 x 1.542 x .03  | 1    |
| 9        | 711-1385A   | Shaft, Output, 9T   | 1    | 32       | 737-3092    | Fitting, Tube                        | 1    |
| 10       | 711-04233   | Shaft, Axle   | 2    | 33       | 741-0343    | Pin, Brake Actuating                 | 2    |
| 11       | 712-0273    | Nut, Hex Nylon Lock, 5/16-24  | 1    | 34       | 741-3114    | Bearing, Ball (6205-1)               | 6    |
| 12       | 710-3119    | Screw, Hex Cap Lock, 3/8-16 x .75 GR5                               | 2    | 35       | 750-3346    | Spacer, Axle, 1.007 x 1.665 x .141   | 1    |
| 13       | 716-04032   | Ring, Retaining   | 4    | 36       | 750-3358    | Spacer, Axle, 1.007 x 1.665 x .989   | 1    |
| 14       | 716-0204    | Ring, Retaining   | 2    | 37       | 751-0588-8  | Tube, Transmission Breather          | 1    |
| 15       | 717-0678    | Pad, Brake  | 2    | 38       | 761-0207A   | Yoke, Brake                          | 1    |
| 16       | 717-0682    | Plate, Puck   | 1    | 39       | 761-0208    | Bracket, Brake Anti Rotation         | 1    |
| 17       | 717-1446    | Gear, Miter, 10T  | 4    | 40       | 761-0215    | Disc, Brake                          | 1    |
| 18       | 717-04102   | Gear, Miter, 14T  | 2    | 41       | 761-3074    | Arm, Brake Actuator                  | 1    |
| 19       | 717-1568    | Gear, Differential Spur, 60T  | 1    | 42       | 736-0227    | Washer, Flat, .39 x 1.5 x .134       | 2    |
| 20       | 717-3449    | Gear, Bevel, 54T  | 1    |          | 759-3958    | Sealant, Loctite Black, 5.3 oz. Tube | 1    |
| 21       | 719-0375A   | Housing, Differential w/Thru Holes                                  | 2    |          | 737-3120    | Drive System Fluid Plus - Quart      | 5.5  |
| 22       | 712-3020    | Nut, Hex Insert Jam GR5, 3/8-16                                     | 4    |          | 737-3121    | Drive System Fluid Plus - Gallon     | AR   |

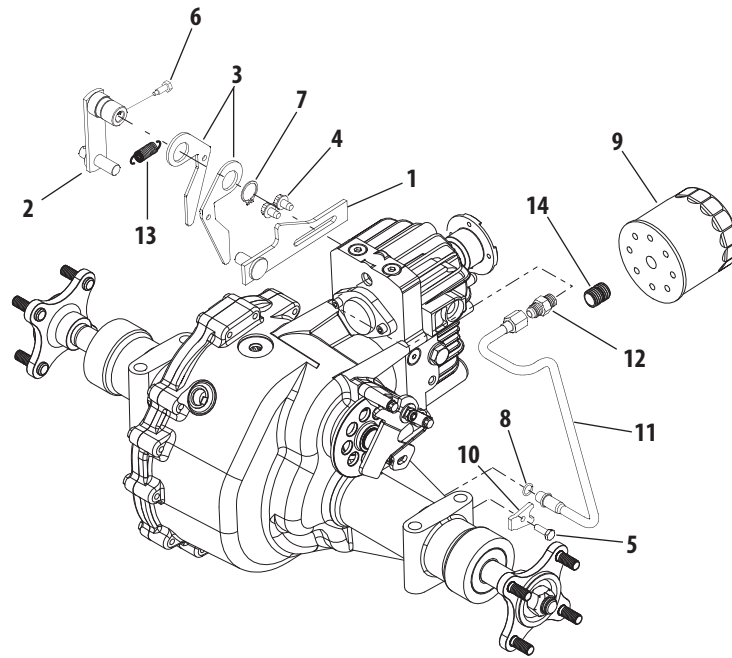
# Hydrostatic Pump



## Hydrostatic Pump

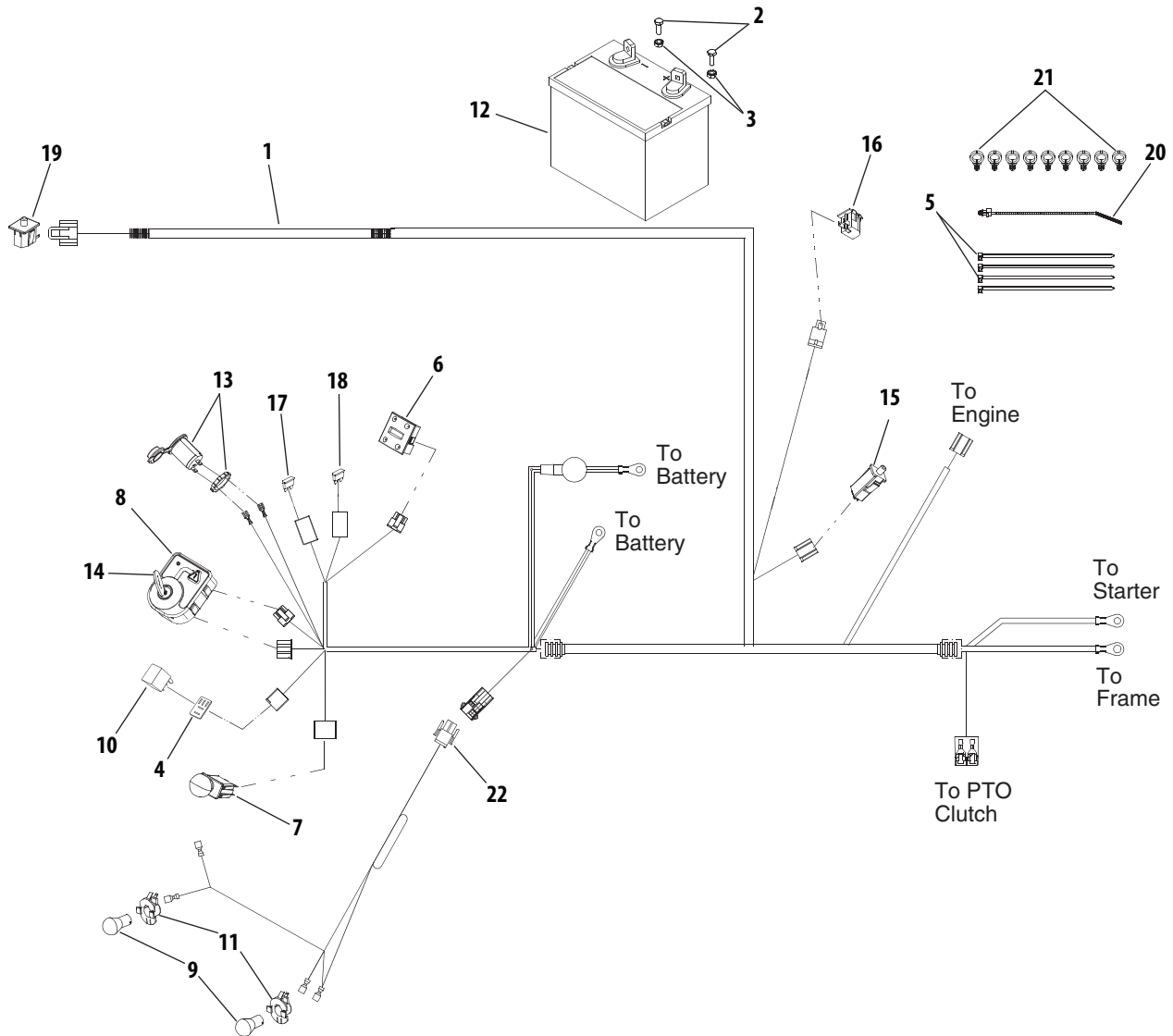
| REF. NO. | PART NUMBER     | DESCRIPTION                   | QTY. |
|----------|-----------------|-------------------------------|------|
| 1        | HG-50158        | Shaft, Pump (Splined)         | 1    |
| 2        | HG-2003016      | Ring, Retaining               | 2    |
| 3        | HG-2003043P     | Bearing, Ball                 | 1    |
| 4        | HG-2003018      | Spacer                        | 1    |
| 5        | HG-9008000-0128 | Seal, Lip                     | 1    |
| 6        | HG-2003052      | Ring, Retaining               | 1    |
| 7        | HG-2003023      | Bearing, Cradle               | 2    |
| 8        | HG-9008000-0126 | Seal, Lip                     | 1    |
| 9        | HG-2003005      | Arm, Trunnion                 | 1    |
| 10       | HG-2000015      | Guide, Slot                   | 1    |
| 11       | HG-2513036      | Housing Kit                   | 1    |
| 12       | HG-50551P       | Bearing Assembly, Thrust Ball | 2    |
| 13       | HG-70444        | Center Section Kit            | 1    |
|          | HG-9005110-5600 | Plug w/O-Ring                 | 2    |
| 14       | HG-2003034      | Shaft, Motor                  | 1    |
| 15       | HG-2003017      | Washer, Block Thrust          | 2    |
| 16       | HG-2003087      | Swash Plate                   | 1    |
| 17       | HG-70331        | Block Assembly                | 2    |
| 18       | HG-9004800-2506 | Pin                           | 2    |
| 19       | HG-2003060      | Gasket, Center Section        | 1    |
| 20       | HG-2510027      | Kit, Check Valve              | 1    |
| 21       | HG-2510034      | Kit, Orificed Check Valve     | 1    |
| 22       | HG-2510011      | Kit, Charge Relief Valve      | 1    |
| 23       | HG-9007314-0808 | Screw, Socket Hd              | 8    |
| 24       | HG-2003014      | Spring, Block                 | 1    |
| 25       | HG-9004101-1340 | O-Ring                        | 1    |
| 26       | HG-2513027      | Kit, Charge Pump              | 1    |
| 27       | HG-50273        | Gerotor Assy                  | 1    |
| 28       | HG-50095        | Screw, Socket Hd              | 2    |
| 29       | HG-2153011      | Bypass Valve Kit              | 1    |
| 30       | HG-9004201-3700 | O-Ring                        | 3    |

## Neutral Linkage & Hydraulic Tube



| REF. NO. | PART NUMBER | DESCRIPTION                            | QTY. |
|----------|-------------|--|------|
| 1        | 603-0732    | Bracket, Neutral Return                | 1    |
| 2        | 603-04340   | Arm Assembly, Control                  | 1    |
| 3        | 703-2441    | Arm, Neutral                           | 2    |
| 4        | 710-0607    | Screw, Hex Wash Hd Tapp, 5/16-18 x .50 | 2    |
| 5        | 710-3015    | Screw, Hex Cap, 1/4-20 x .75 GR5       | 1    |
| 6        | 710-04171   | Screw, Special Hex Cap, 5/16-24 x .625 | 1    |
| 7        | 716-0111    | Ring, Snap, .875 Shaft                 | 1    |
| 8        | 721-0459    | O-Ring, .426 ID x .566 OD x .07        | 1    |
| 9        | 723-3014    | Filter, Oil                            | 1    |
| 10       | 726-0295    | Clamp, Tube, .50                       | 1    |
| 11       | 727-0636    | Tube, Hydro Pickup                     | 1    |
| 12       | 727-3002    | Fitting, Hydraulic                     | 1    |
| 13       | 732-3119A   | Spring, Extension                      | 1    |
| 14       | 737-3022    | Nipple, Oil Filter                     | 1    |

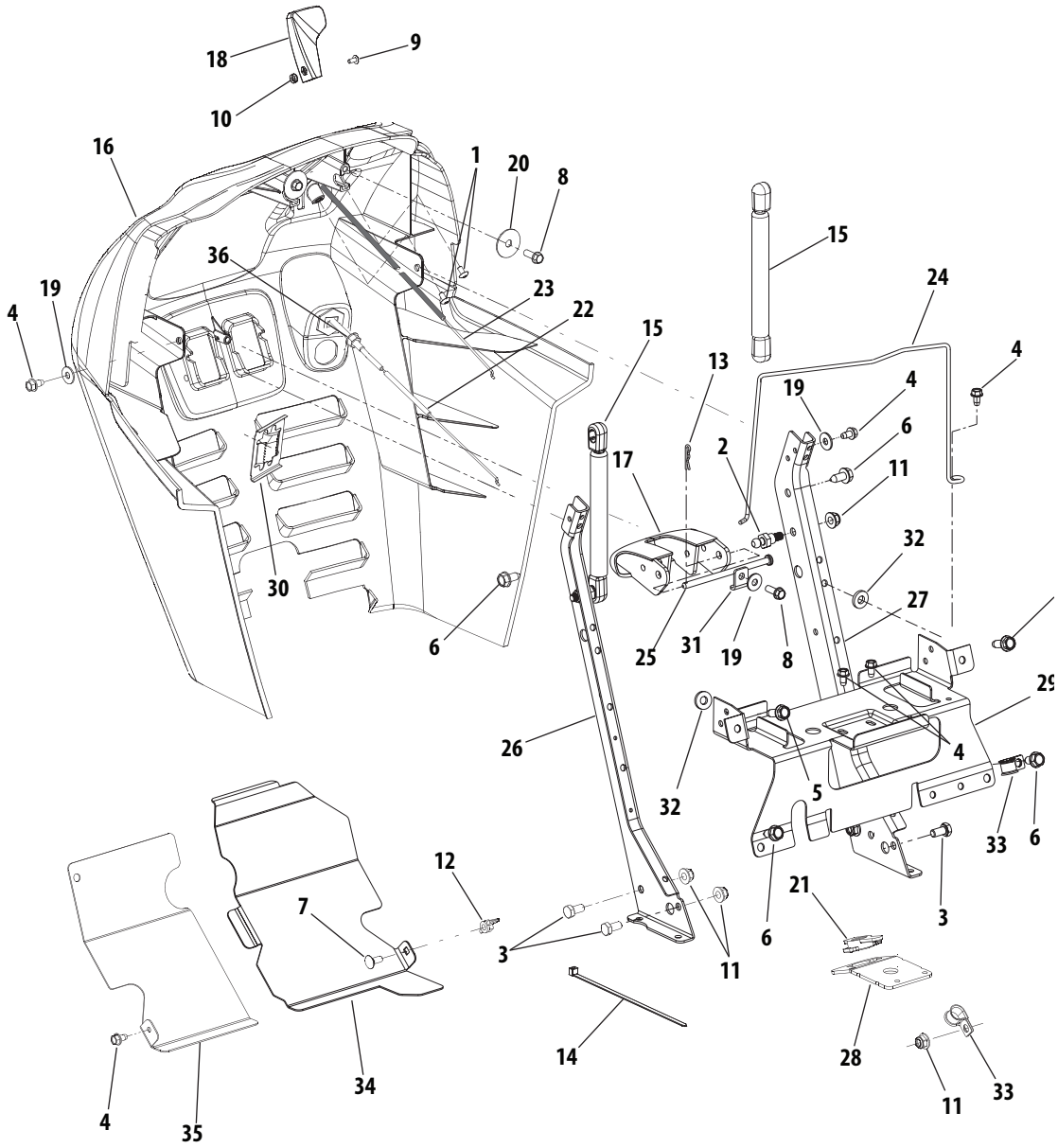
### Battery, Electrical Components and Switches



| REF. NO. | PART NUMBER | DESCRIPTION                  | QTY. |
|----------|-------------|------------------------------|------|
| 1        | 629-04158A  | Wire Harness, Main           | 1    |
| 2        | 710-3015    | Screw, Hex, 1/4-20 x .75 GR5 | 2    |
| 3        | 712-0271    | Sems Nut                     | 2    |
| 4        | 721-0342    | Gasket, Silicone             | 1    |
| 5        | 725-0157    | Tie, Self-Clinch Cable       | 4    |
| 6        | 725-04022B  | Meter, Indicator / Hour      | 1    |
| 7        | 725-04175   | Switch, PTO                  | 1    |
| 8        | 725-04227B  | Switch, Key/Module           | 1    |
| 9        | 725-0963    | Lamp, Head Light             | 2    |
| 10       | 725-1648    | Relay                        | 1    |
| 11       | 725-1649    | Socket, Light, 1/4 Turn      | 2    |

| REF. NO. | PART NUMBER | DESCRIPTION                  | QTY. |
|----------|-------------|------------------------------|------|
| 12       | 925-1707D   | Battery                      | 1    |
| 13       | 725-2003    | Receptacle, Power 12V        | 1    |
| 14       | 725-2054A   | Key, Ignition                | 2    |
| 15       | 725-3164A   | Switch, Interlock (Brake)    | 1    |
| 16       | 725-3167    | Switch, Snap Mount (Reverse) | 1    |
| 17       | 725-3243    | Fuse, 25 Amp                 | 2    |
| 18       | 725-04008   | Fuse, 5 Amp                  | 1    |
| 19       | 725-04040   | Switch, Seat                 | 1    |
| 20       | 726-0154    | Tie, Pushmount               | 9    |
| 21       | 726-3055    | Clip, Cable                  | 9    |
| 22       | 629-04142A  | Harness, Head Light          | 1    |

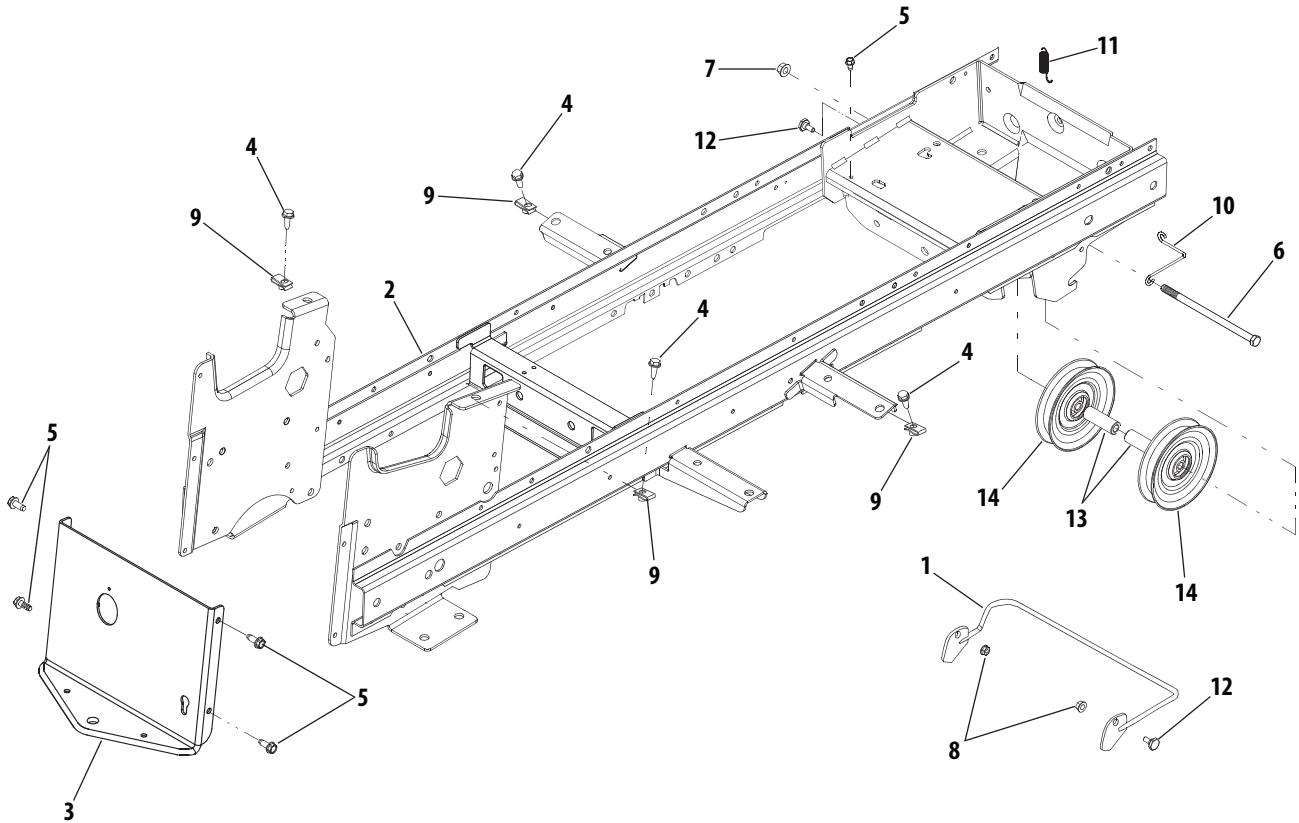
### Dash Panel & Engine Controls



### Dash Panel & Engine Controls

| REF. NO. | PART NUMBER | DESCRIPTION                               | QTY. |
|----------|-------------|---|------|
| 1        | 710-0192    | Screw, #10-24 x .375                      | 2    |
| 2        | 710-04471   | Screw, Ball Shoulder. 5/16-18 x .48       | 2    |
| 3        | 710-3025    | Screw, Hex Cap, 5/16-18 x .625 GR5        | 4    |
| 4        | 710-0599    | Screw, Self-tapping, 1/4-20, 0.500        | 6    |
| 5        | 710-0650    | Screw, Hx. Wash. Hd, Tapp. 5/16-18 x .875 | 2    |
| 6        | 710-0726    | Screw, Hx. Wash. Hd, Tapp, 5/16-12 x .75  | 6    |
| 7        | 710-0134    | Screw, Carriage, 1/4 -20 x .62            | 1    |
| 8        | 710-0895    | Screw, 1/4-15, 0.75                       | 2    |
| 9        | 710-3217    | Screw, Truss Mach., #8-32 x .375          | 1    |
| 10       | 712-0142    | Nut, Hex, #8-32 GrA                       | 1    |
| 11       | 712-04063   | Nut, Hx Insert Flange Lck, 5/16-18 GrF    | 6    |
| 12       | 712-3087    | Nut, Wing, 1/4-20                         | 1    |
| 13       | 714-0104    | Internal Cotter Pin, .072 x 1.13          | 1    |
| 14       | 725-0157    | Tie, Cable                                | 1    |
| 15       | 727-04142   | Cylinder, Gas                             | 2    |
| 16       | 731-05354A  | Dash                                      | 1    |
|          | 777 I 22459 | Graphic, Dash Insert                      | 1    |
|          | 777I22280   | Graphic, Throttle                         | 1    |
| 17       | 731-05447   | Lever, Dash, Cruise                       | 1    |
| 18       | 731-3161A   | Knob, Throttle Control                    | 1    |
| 19       | 736-0173    | Washer, Flat, .28 x .74 x .063            | 3    |
| 20       | 736-0362    | Washer, Flat, .33 x 1.25 x .06 HT         | 2    |
| 21       | 731-05659   | Bushing, Steering Shaft                   | 1    |
| 22       | 746-04277   | Cable, Choke                              | 1    |
| 23       | 746-1100    | Cable, Throttle Control                   | 1    |
| 24       | 747-04215   | Strap, Battery                            | 1    |
| 25       | 747-1323A   | Rod, .25 x 4.55                           | 1    |
| 26       | 783-04285E  | Plate, Dash Support RH                    | 1    |
| 27       | 783-04323F  | Plate, Dash Support, LH                   | 1    |
| 28       | 783-05240A  | Bracket, Steering Support                 | 1    |
| 29       | 783-05469   | Bracket, Battery Support                  | 1    |
| 30       | 783-0462    | Bracket, PTO Switch Retainer              | 1    |
| 31       | 783-1499    | Bracket, Rod, Dash                        | 1    |
| 32       | 736-3008    | Washer, Flat, .344 x .75 x .12            | 6    |
| 33       | 726-0272    | Clamp, 9/16                               | 2    |
| 34       | 703-06668   | Shield, Engine, LH                        | 1    |
|          | 777S32728   | Graphic, Steering Box Access Panel        | 1    |
| 35       | 703-05884   | Shield, Enging, RH                        | 1    |
| 36       | 712-3005    | Nut, Flange Lock, 3/8-16 Gr5              | 1    |

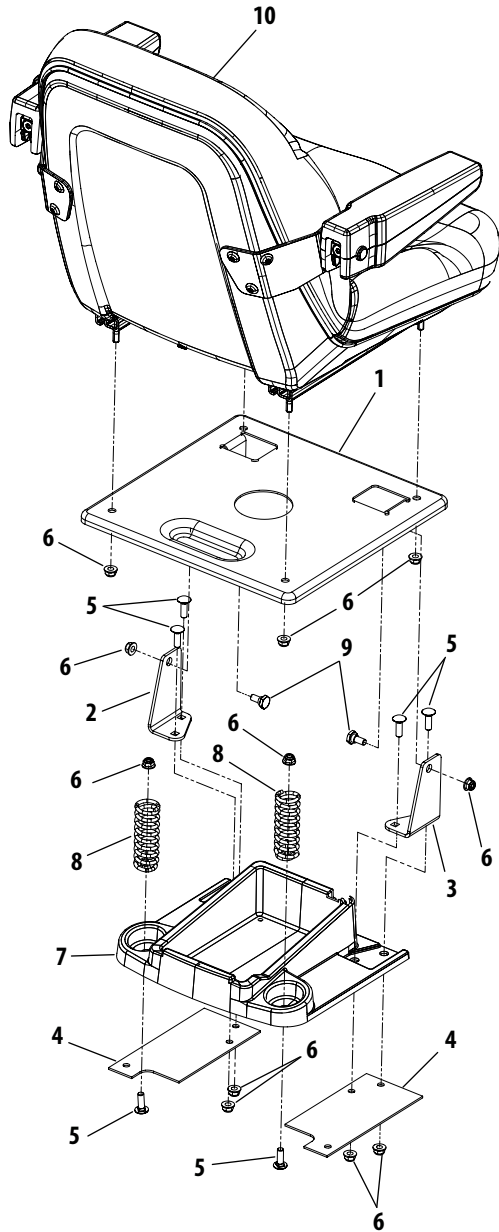
## Frame and Drawbar



| REF. NO. | PART NUMBER | DESCRIPTION                          | QTY. |
|----------|-------------|--------------------------------------|------|
| 1        | 603-04250   | Rod, Quick Attach                    | 1    |
| 2        | 603-04349   | Frame                                | 1    |
| 3        | 703-3453    | Drawbar                              | 1    |
|          | 777122785   | Graphic, Transmission Release Lever  | 1    |
|          | 777530265   | Graphic, Transmission Oil            | 1    |
| 4        | 710-0602    | Screw, Hex Wsh Hd Tapp 5/16-18 x 1.0 | 4    |
| 5        | 710-1260A   | Screw, Hex Wsh Hd Tap 5/16-18 x .75  | 4    |
| 6        | 710-3261    | Screw, Hex Cap, 3/8-16 x 7.0         | 1    |
| 7        | 712-04065   | Nut, Hex Flange Lock, 3/8-16         | 1    |
| 8        | 712-04064   | Nut, Hex Flange Lock, 1/4-20         | 2    |
| 9        | 726-0211    | U-Nut, 5/16-18                       | 6    |
| 10       | 732-0970    | Belt Guide                           | 1    |
| 11       | 732-3002    | Spring, Latch                        | 1    |
| 12       | 738-0255    | Bolt, Shoulder                       | 2    |
| 13       | 750-04198   | Spacer, Idler, .411 x .720 x 3.67    | 2    |
| 14       | 756-3045    | Pulley, Idler                        | 2    |

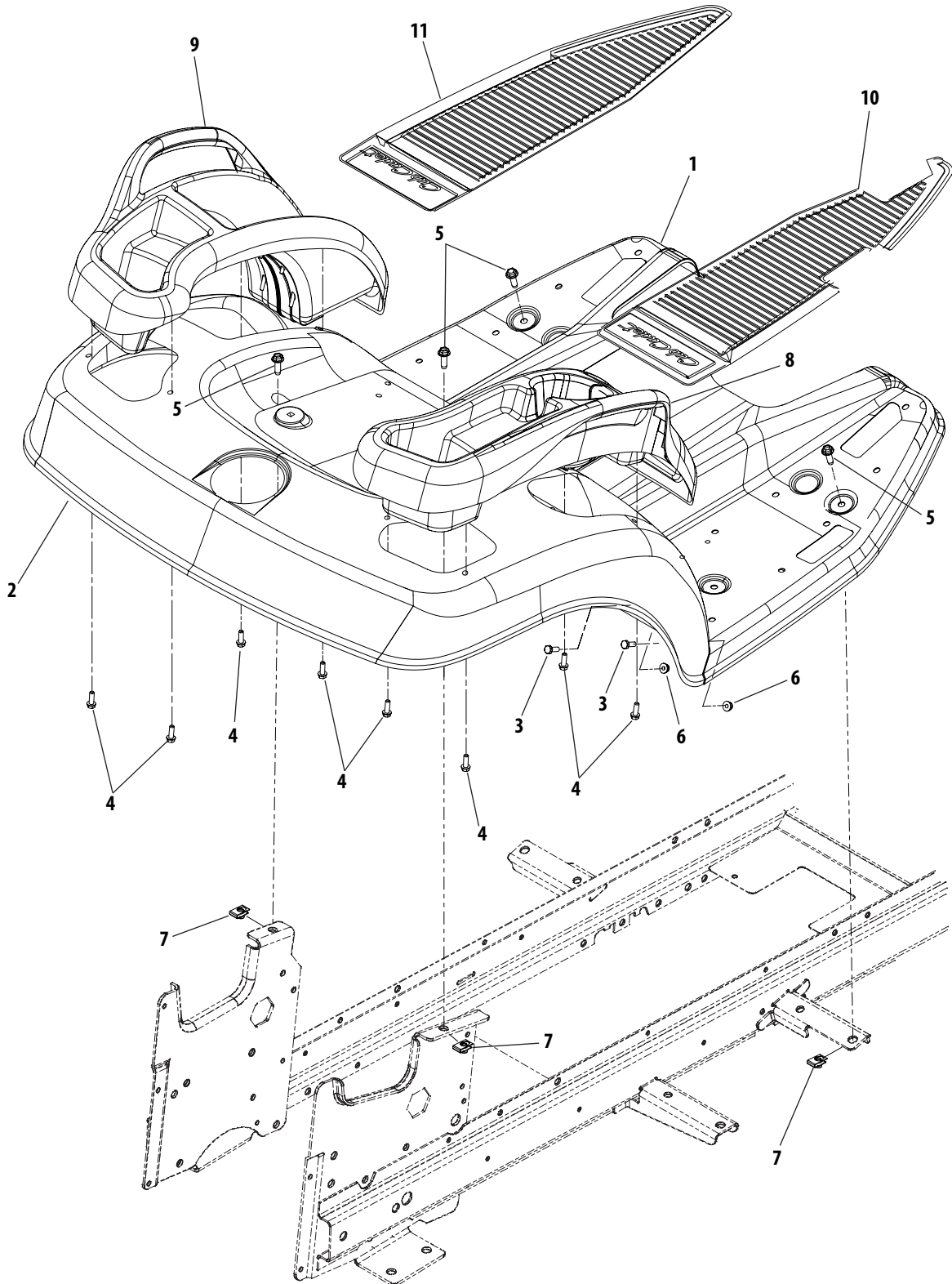


### Seat and Support



| REF. NO. | PART NUMBER             | DESCRIPTION                           | QTY.   |
|----------|-------------------------|---------------------------------------|--------|
| 1        | 703-05861A<br>777120310 | Seat, Base<br>Graphic, Seat Adjuster  | 1<br>1 |
| 2        | 703-05877               | Bracket, LH Seat Pivot                | 1      |
| 3        | 703-05878               | Bracket, RH Seat Pivot                | 1      |
| 4        | 703-2628                | Bracket, Fender Reinforcement         | 2      |
| 5        | 710-0276                | Bolt, Carriage, 5/16-18 x 1.0         | 6      |
| 6        | 712-04063               | Nut, Hx Insert Flnge Lck, 5/16-18 GrF | 12     |
| 7        | 731-3162A               | Tray, Tool                            | 1      |
| 8        | 732-04352               | Spring, Compression                   | 2      |
| 9        | 738-0140                | Bolt, Shoulder                        | 2      |
| 10       | 757-04042               | Seat, High Back w/Arm Rests           | 1      |

### Fender and Running Board

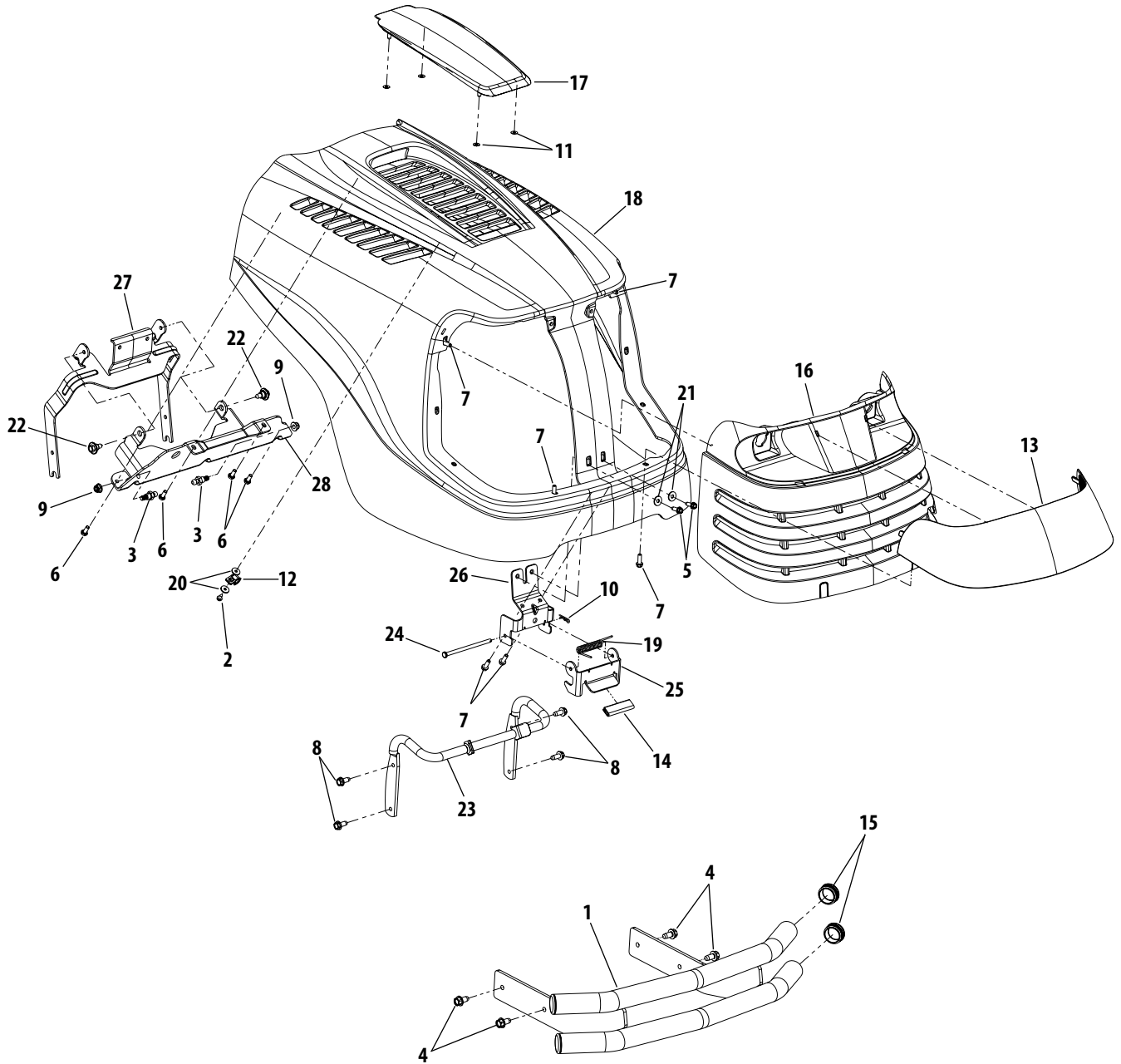


---

### Fender and Running Board

| REF. NO. | PART NUMBER | DESCRIPTION                           | QTY. |
|----------|-------------|---------------------------------------|------|
| 1        | 703-05821   | Running Board w/Graphic               | 1    |
|          | 777S30170   | Graphic, Warning                      | 1    |
|          | 777S32494   | Graphic, Danger                       | 1    |
|          | 777I22604   | Graphic, Maintenance                  | 1    |
|          | 777D12237   | Graphic, Shaft Drive                  | 1    |
| 2        | 703-05860   | Fender                                | 1    |
|          | 777D10279   | Graphic, Cub Cadet                    | 1    |
| 3        | 710-3015    | Screw, Hex Cap, 1/4-20 x .75 GR5      | 6    |
| 4        | 710-0895    | Screw, 1/4-15 x.750                   | 8    |
| 5        | 710-0602    | Screw, Hex Wash Hd Tapp 5/16-18 x 1.0 | 4    |
| 6        | 712-04064   | Nut, Hex Flange Lock, 1/4-20          | 6    |
| 7        | 726-0211    | U-Nut, 5/16-18                        | 4    |
| 8        | 731-05488   | Cover, Fender RH                      | 1    |
| 9        | 631-04206A  | Cover, Fender LH                      | 1    |
| 10       | 735-3046A   | Pad, RH Foot                          | 1    |
| 11       | 735-3047    | Pad, LH Foot                          | 1    |

### Hood, Grill and Bumper

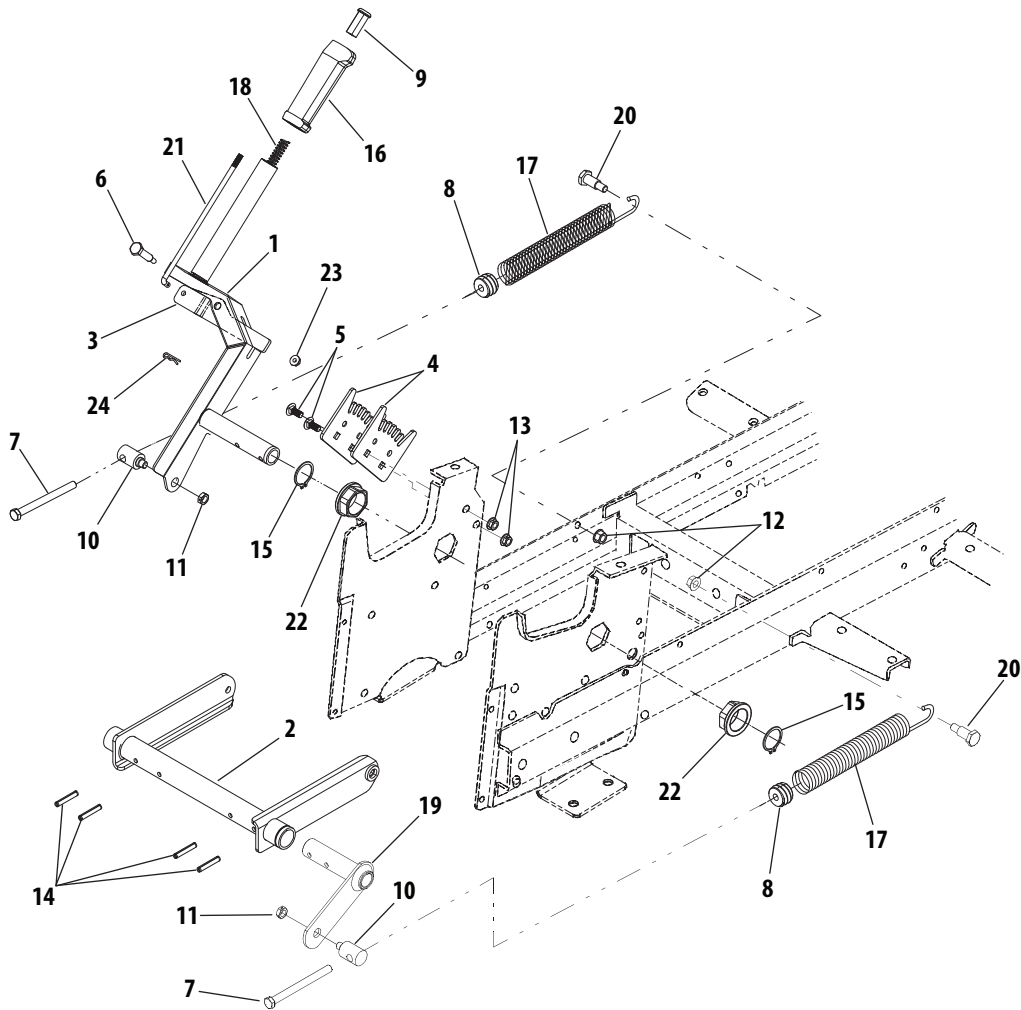


---

**Hood, Grill and Bumper**

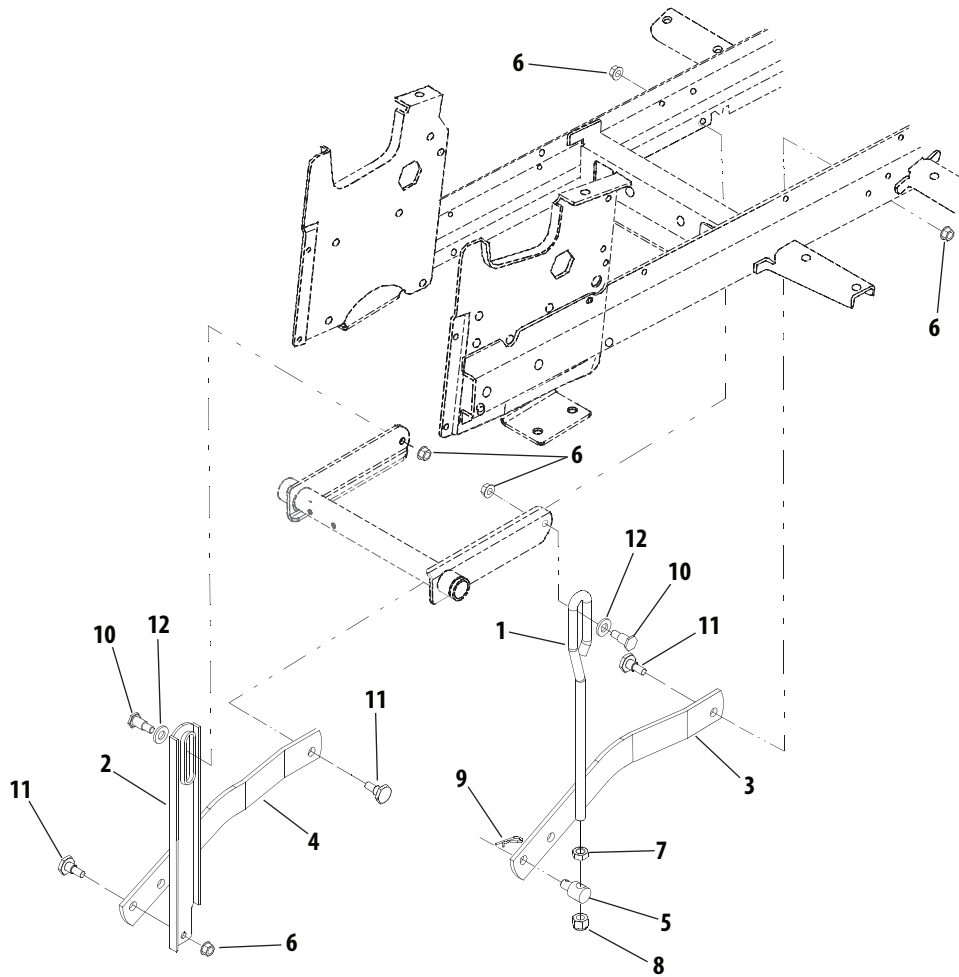
| REF. NO. | PART NUMBER | DESCRIPTION                              | QTY. |
|----------|-------------|--|------|
| 1        | 603-04343   | Bumper                                   | 1    |
| 2        | 710-0224    | Screw, Hx Wash, Hd. AB, 10-16 x .5       | 1    |
| 3        | 710-04471   | Screw, Ball Shoulder, 5/16-18 x.56       | 2    |
| 4        | 710-0623    | Screw, Hx Washer Hd Tapp, 3/8-16 x.750   | 4    |
| 5        | 710-0642    | Screw, Hx Washer Hd Tapp, 1/4-20 x .750  | 6    |
| 6        | 710-0751    | Screw, Hex Cap, 1/4-20 x .62 Gr5         | 4    |
| 7        | 710-0895    | Screw, 1/4-15 x.750                      | 6    |
| 8        | 710-1260A   | Screw, Hx Washer Hd Tapp, 5/16- 18 x.750 | 4    |
| 9        | 712-04063   | Nut, Flange Lock, 5/16-18 GR5            | 2    |
| 10       | 714-0104    | Pin, Cotter,.072 Dia. x 1.13             | 1    |
| 11       | 726-0233    | Nut, Push, .25 ID x .50 OD               | 4    |
| 12       | 726-0272    | Clamp, 9/16                              | 1    |
| 13       | 731-05111   | Lens                                     | 1    |
| 14       | 731-05291   | Trim Strip, Vinyl, 2.5 Long              | 1    |
| 15       | 731-05368   | Cap, Bumper                              | 4    |
| 16       | 731-05510   | Grill                                    | 1    |
|          | 777X42027   | Reflector, Headlight                     | 1    |
| 17       | 731-06010   | Cover, Hood                              | 1    |
| 18       | 731-06011   | Hood                                     | 1    |
|          | 777D09638   | Graphic, Cub Cadet RH                    | 1    |
|          | 777D09639   | Graphic, Cub Cadet LH                    | 1    |
|          | 777D12236   | Graphic, GT2554 LH                       | 1    |
|          | 777D12235   | Graphic, GT2554 RH                       | 1    |
| 19       | 732-04281A  | Latch Spring                             | 1    |
| 20       | 736-0400    | Washer, Flat, .194 x .62 x .063          | 2    |
| 21       | 736-03090   | Washer, Flat, .26 x .72 x .06            | 2    |
| 22       | 738-04091A  | Screw, Shoulder, .43 x .29;TT:5/16-18    | 2    |
| 23       | 747-04423A  | Hood Latch Rod                           | 1    |
| 24       | 747-1323A   | Rod,.250 Dia. x 4.55                     | 1    |
| 25       | 783-04717A  | Latch Pivot Bracket                      | 1    |
| 26       | 783-04848   | Latch Plate                              | 1    |
| 27       | 783-05028   | Hood Pivot Bracket                       | 1    |
| 28       | 783-05029A  | Pivot Bracket                            | 1    |

## Implement Lift Handle



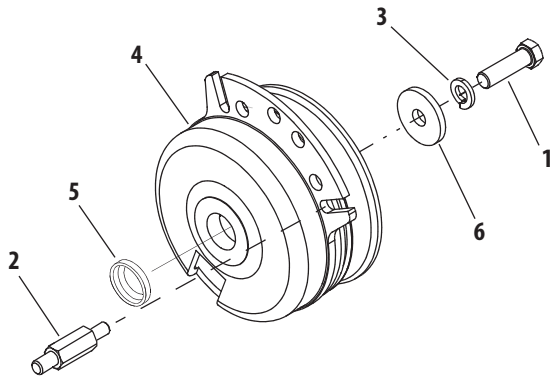
| REF. NO. | PART NUMBER | DESCRIPTION                       | QTY. | REF. NO. | PART NUMBER | DESCRIPTION                        | QTY. |
|----------|-------------|-----------------------------------|------|----------|-------------|------------------------------------|------|
| 1        | 603-04141   | Handle Assembly, Lift             | 1    | 13       | 712-04063   | Nut, Hex Flanged Top Lock, 5/16-18 | 2    |
| 2        | 603-04140A  | Shaft Assembly, Lift              | 1    | 14       | 715-0114    | Pin, Spiral Spring, 1/4 Dia x 1.5  | 4    |
| 3        | 703-05247   | Fork, Lift                        | 1    | 15       | 716-0116    | Ring, Snap, 1.25 Dia Shaft         | 2    |
| 4        | 703-2239A   | Bracket, Lift Index               | 2    | 16       | 731-3158    | Grip, Lift Handle                  | 1    |
| 5        | 710-0451    | Bolt, Carriage, 5/16-18 x .75     | 2    | 17       | 732-3093    | Spring, Extension                  | 2    |
| 6        | 738-0560    | Screw, Shoulder, .374 x 1.375     | 1    | 18       | 732-3097    | Spring, Compression                | 1    |
| 7        | 710-3279    | Screw, Hex Cap, 3/8-16 x 4.25 GR5 | 2    | 19       | 603-04139   | Arm, Lift Assist RH                | 1    |
| 8        | 711-0635    | Insert, Spring                    | 2    | 20       | 738-0145    | Bolt, Shoulder                     | 2    |
| 9        | 711-0642A   | Button, Handle                    | 1    | 21       | 747-3175A   | Rod, Index                         | 1    |
| 10       | 711-3350    | Ferrule, Adjustment               | 2    | 22       | 748-3051    | Bearing, Hex Flange, 1.25 ID       | 2    |
| 11       | 712-0262    | Nut, Hex Center Lock, Jam, 3/8-24 | 2    | 23       | 712-04064   | Nut, Hex Flange Lock, 1/4-20       | 1    |
| 12       | 712-0431    | Nut, Hex Flanged Lock, 3/8-16     | 2    | 24       | 714-0104    | Pin, Internal Cotter               | 1    |

## Implement Lift Links



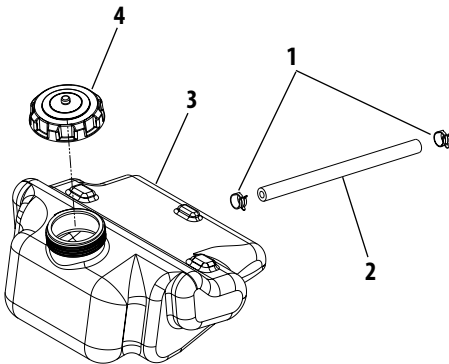
| REF. NO. | PART NUMBER | DESCRIPTION                    | QTY. |
|----------|-------------|--------------------------------|------|
| 1        | 747-04196   | Rod, Lift Link                 | 1    |
| 2        | 703-2234    | Bracket, LH Hanger             | 1    |
| 3        | 703-2832    | Link, RH Lift                  | 1    |
| 4        | 703-2833    | Link, LH Lift                  | 1    |
| 5        | 711-3319    | Ferrule, Adjustment            | 1    |
| 6        | 712-04065   | Nut, Hex Flange Lock, 3/8-16   | 5    |
| 7        | 712-3048    | Nut, Hex Jam, 1/2-13 GR5       | 1    |
| 8        | 712-3083    | Nut, Hex Insert Lock, 1/2-13   | 1    |
| 9        | 714-0145    | Pin, Internal Cotter           | 1    |
| 10       | 738-0430    | Bolt, Shoulder                 | 2    |
| 11       | 738-0507B   | Bolt, Shoulder                 | 3    |
| 12       | 736-0326    | Washer, Flat, .51 x 1.0 x .125 | 2    |

**PTO Pulley**



| REF. NO. | PART NUMBER | DESCRIPTION                         | QTY. |
|----------|-------------|-------------------------------------|------|
| 1        | 710-0757    | Screw, Hex Cap, 7/16-20 x 1.5 GR5   | 1    |
| 2        | 711-1083    | Stud, Clutch Stop                   | 1    |
| 3        | 736-0171    | Washer, Lock, 3/8                   | 1    |
| 4        | 717-04326   | Clutch Assy, PTO                    | 1    |
| 5        | 750-3356    | Spacer, 1.13 x 1.62 x .21           | 1    |
| 6        | 736-3082A   | Washer, Flat, .445 x 1.5 x 1.72 Hdn | 1    |

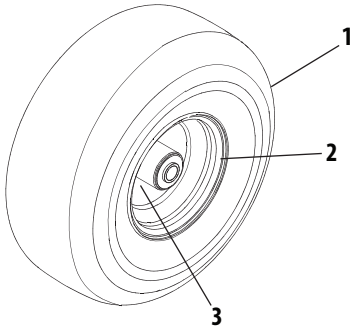
**Fuel Tank**



| REF. NO. | PART NUMBER  | DESCRIPTION     | QTY. |
|----------|--------------|-----------------|------|
| 1        | 726-0205     | Clamp, Hose     | 2    |
| 2        | 751-10349-54 | Line, Fuel, 51" | 1    |
| 3        | 751-3112B    | Tank, Fuel      | 1    |
| 4        | 751-3124D    | Cap, Fuel       | 1    |

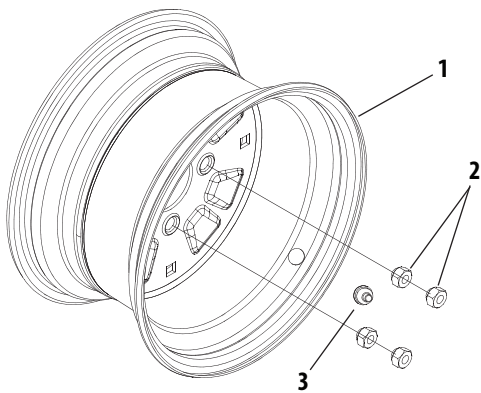


### Front Wheel



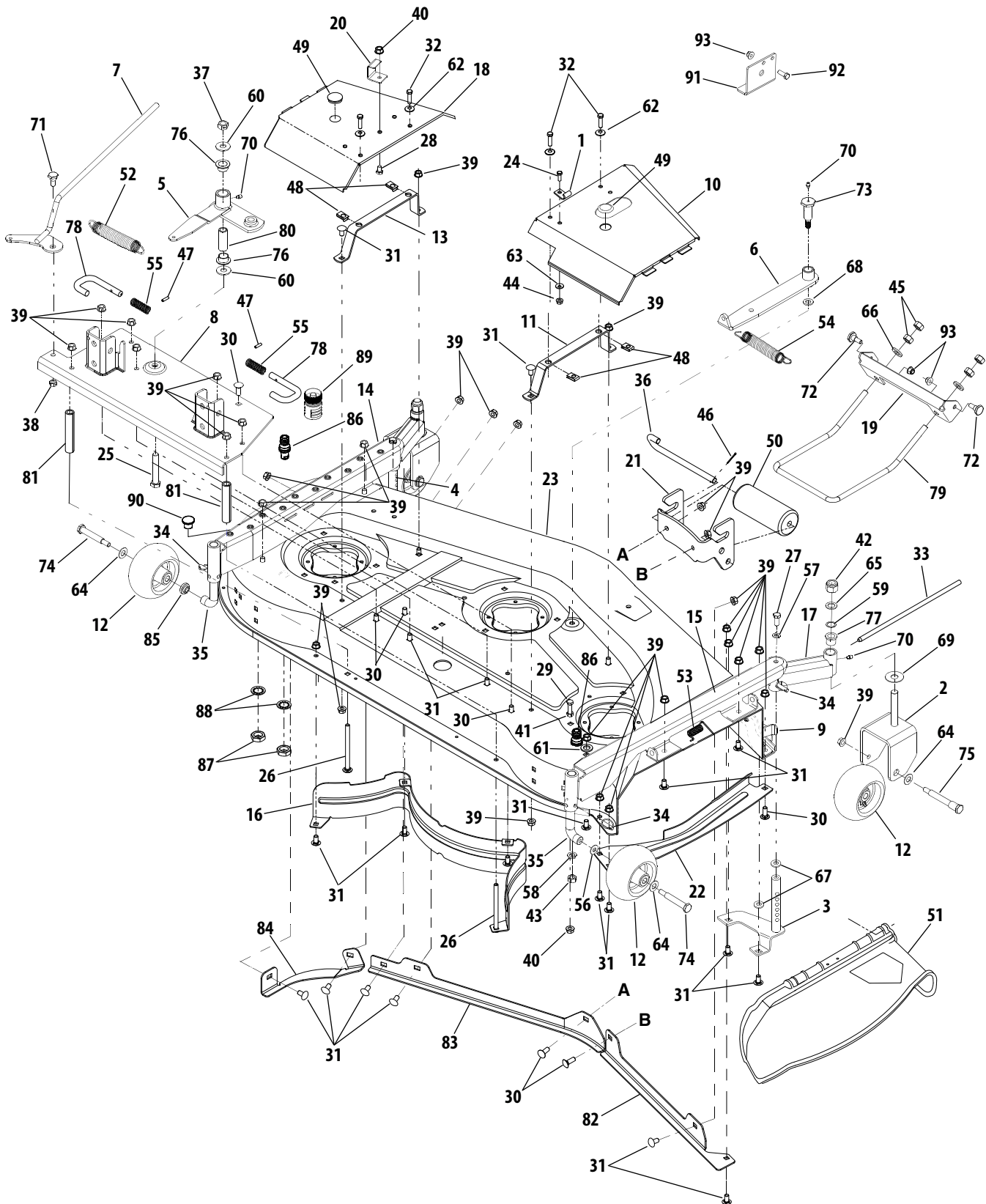
| REF. NO. | PART NUMBER | DESCRIPTION                   | QTY. |
|----------|-------------|-------------------------------|------|
| 1        | 734-3187A   | Tire, Cub Tread, 16 x 6.5 x 8 | 2    |
| 2        | 634-04090A  | Rim Assy, Front               | 2    |
|          | 734-0255    | Valve, Tubeless Air           | 2    |
|          | 741-04137   | Bearing, Ball                 | 4    |
| 3        | 737-0224    | Fitting, Grease (Not Seen)    | 4    |

### Rear Wheel



| REF. NO. | PART NUMBER | DESCRIPTION                    | QTY. |
|----------|-------------|--------------------------------|------|
|          | 734-3190A   | Tire, Cub Tread, 23 x 9.5 x 12 | 2    |
| 1        | 634-3189    | Rim Assy, Rear                 | 2    |
| 2        | 712-3050    | Nut, Lug, 7/16-14              | 8    |
| 3        | 734-0255    | Valve, Tubeless Air            | 2    |

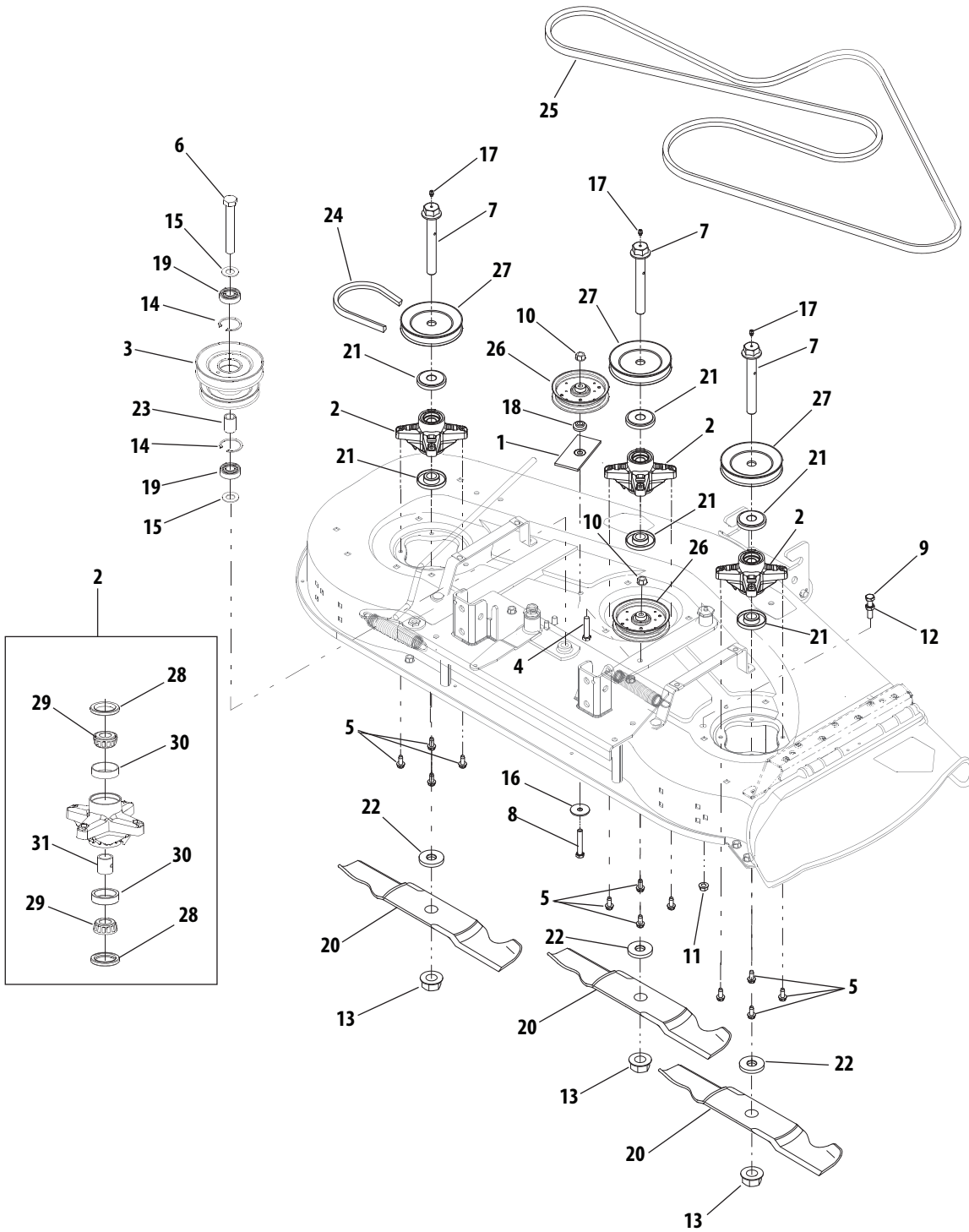
## 54" Mower Deck



## 54" Mower Deck

| REF. NO. | PART NUMBER | DESCRIPTION                             | QTY. | REF. NO.  | PART NUMBER   | DESCRIPTION                          | QTY. |
|----------|-------------|---|------|-----------|---------------|--------------------------------------|------|
| 1        | 16606       | Bracket, Hook Retainer                  | 1    | 44        | 712-3027      | Nut, Hex Flange Lock 1/4-20          | 1    |
| 2        | 603-0031A   | Bracket, Wheel                          | 2    | 45        | 712-0206      | Nut, Hex, 1/2-13                     | 4    |
| 3        | 603-0110    | Spindle, Adjustment RH                  | 1    | 46        | 714-3004      | Pin, Cotter 3/32 x 1.25              | 1    |
| 4        | 603-0111    | Spindle, Adjustment LH                  | 1    | 47        | 715-3003      | Pin, Spirol                          | 2    |
| 5        | 603-04094   | Bracket, Idler                          | 1    | 48        | 726-0211      | Nut, "U" 5/16-18                     | 4    |
| 6        | 603-04107   | Bracket, Idler                          | 1    | 49        | 726-3045      | Plug, Button                         | 2    |
| 7        | 603-04113   | Handle                                  | 1    | 50        | 731-05679     | Roller, Front                        | 1    |
| 8        | 603-04135   | Bracket, Rear Hanger                    | 1    | 51        | 731-05559B    | Deflector, Chute                     | 1    |
| 9        | 703-3279    | Bracket, Chute Stop                     | 1    | 777S30284 | Label, Danger | 1                                    |      |
| 10       | 703-05269   | Cover, Belt RH                          | 1    | 52        | 732-0861      | Spring, Extension                    | 1    |
| 11       | 703-05270   | Strap, Mounting                         | 1    | 53        | 732-04372     | Spring, Torsion                      | 1    |
| 12       | 703-1890A   | Wheel, Ball w/Fitting, 5 in             | 4    | 54        | 732-3120A     | Spring, Extension                    | 1    |
|          | 737-0280    | Fitting, Lube                           | 4    | 55        | 732-3127      | Spring, Compression                  | 2    |
|          | 748-0108    | Bearing, Flange, .503 x .75             | 8    | 56        | 736-0105      | Washer, Bell, .375 x .87 x .063      | 1    |
| 13       | 703-2072    | Strap, Mounting                         | 1    | 57        | 736-0169      | Washer, Lock 3/8" I.D.               | 2    |
| 14       | 703-2081A   | Channel, Castor LH                      | 1    | 58        | 736-0171      | Washer, Lock 7/16" I.D.              | 1    |
| 15       | 703-2083    | Channel, Castor RH                      | 1    | 59        | 736-0174      | Washer, Wave, .625 x .885 x .015     | 2    |
| 16       | 703-2093    | Baffle, Rear Inner                      | 1    | 60        | 736-0179      | Washer, Flat, .5 x 1.25 x .10        | 2    |
| 17       | 703-2094    | Castor, Front                           | 2    | 61        | 736-0192      | Washer, Flat, .535 x .93 x .09       | 1    |
| 18       | 703-2096C   | Cover, Belt LH                          | 1    | 62        | 736-0242      | Washer, Bell .34" I.D.               | 4    |
| 19       | 703-2248    | Bracket, Front Lift                     | 1    | 63        | 736-0270      | Washer, Bell .265 x .75 x .062       | 1    |
| 20       | 703-2559    | Bracket, Stop                           | 1    | 64        | 736-0272      | Washer, Flat, .51 x 1.0 x .06        | 4    |
| 21       | 703-3043A   | Bracket, Roller Front                   | 1    | 65        | 736-0290      | Washer, Flat, .625 x 1.0 x .067      | 2    |
| 22       | 703-3511A   | Guard, Finger                           | 1    | 66        | 736-3019      | Washer, Flat, .531 x 1.062 x .134 HT | 2    |
| 23       | 703-4133C   | Deck Housing - Before Mfg. Code C018    | 1    | 67        | 736-3004      | Washer, Flat, .406 x .875 x .105     | 4    |
|          | 703-06576   | Deck Housing - Mfg. Code C018 and After | 1    | 68        | 736-3015      | Washer, Flat, .469 x .875 x .105     | 1    |
|          | 777D11758   | Label, 54"                              | 1    | 69        | 736-3088      | Washer, Flat, 1.595 x .635 x .062 HT | 2    |
|          | 777S30503   | Label, Danger                           | 1    | 70        | 737-3000      | Fitting, Lube, 3/16 Drive            | 4    |
|          | 777S30015   | Label, Danger L.H. Side                 | 1    | 71        | 738-0143      | Screw, Shoulder, .498 x .34: 3/8-16  | 1    |
|          | 777S30014   | Graphic, Caution Spring Tension         | 1    | 72        | 738-0507B     | Screw, Shoulder, .5 x .434: 3/8-16   | 2    |
|          | 777I22485   | Graphic, Belt Routing                   | 1    | 73        | 738-3005A     | Screw, Shoulder, .68 x 1.59          | 1    |
|          | 777D10624   | Graphic, Deck Wash                      | 1    | 74        | 738-3056      | Screw, Shoulder, .5 x 2.5            | 2    |
| 24       | 710-0751    | Screw, Hex Cap 1/4-20 x .62 GR5         | 1    | 75        | 738-3093      | Screw, Step Shoulder, 5/8-1/2 x 3.4  | 2    |
| 25       | 710-1010    | Screw, Hex Cap, 1/2-20 x 3.0 GR8        | 1    | 76        | 741-0338      | Bearing, Flange, 3/4 x .52           | 2    |
| 26       | 710-1644    | Carriage, Bolt 3/8-16 x 5.0 GR5         | 2    | 77        | 741-0353      | Bearing, Flange, .63 ID              | 4    |
| 27       | 710-3001    | Screw, Hex Cap, 3/8-16 x .88 GR5        | 2    | 78        | 747-3188      | Pin, Mower Support                   | 2    |
| 28       | 710-3039    | Screw, Hex Cap, 5/16-18 x .5 GR5        | 1    | 79        | 747-3172C     | Rod, Deck Hanger                     | 1    |
| 29       | 710-3073    | Screw, Hex Cap, 5/16-18 x 2.25 GR5      | 1    | 80        | 750-3136      | Spacer, .5 x .75 x 2.07" Lg.         | 1    |
| 30       | 710-3168    | Carriage, Bolt 3/8-16 x 1.0             | 7    | 81        | 750-3213      | Spacer, .405" x .75 x 3.875" Lg.     | 2    |
| 31       | 710-3178    | Carriage, Bolt 3/8-16 x .75             | 27   | 82        | 783-1482      | Skirt, RH Deck                       | 1    |
| 32       | 710-0376    | Screw, Hex Cap, 5/16-18 x 1 GR5         | 4    | 83        | 783-1483      | Skirt, LH Deck                       | 1    |
| 33       | 711-04565   | Pin, Hinge .3175 x 14.06                | 1    | 84        | 783-1484      | Skirt, LH Extension                  | 1    |
| 34       | 711-3266    | Pin, Clevis w/Ball Detent               | 4    | 85        | 738-0372B     | Spacer, Shoulder                     | 1    |
| 35       | 711-3312    | Axle, Castor                            | 2    | 86        | 737-04003B    | Nozzle, Deck Wash                    | 2    |
| 36       | 711-3314    | Pin, Roller 1/2 x 7.31                  | 1    | 87        | 712-0641      | Nut, Hex, M16-1.5                    | 3    |
| 37       | 712-0239    | Nut, Hex Lock, 1/2-20 GRA               | 1    | 88        | 736-0225      | Washer, Lock                         | 3    |
| 38       | 712-0375    | Nut, Hex Lock, 3/8-16 GRA               | 1    | 89        | 721-04041     | Adapter, Water Nozzle                | 1    |
| 39       | 712-0431    | Nut, Flange Lock 3/8-16                 | 38   | 90        | 738-04146     | Plug, Screw, M16-1.5                 | 1    |
| 40       | 712-3004A   | Nut, Flange Lock, 5/16-18 GR5           | 2    | 91        | 703-05902     | Bracket, Up-Stop                     | 1    |
| 41       | 712-3010    | Nut, Hex, 5/16-18 GR5                   | 1    | 92        | 710-0514      | Screw, Hex Cap, 3/8-16 x 1.0 Gr5     | 3    |
| 42       | 712-3016    | Nut, Hex Lock 5/8-11                    | 2    | 93        | 712-04065     | Nut, Flange Lock, 3/8-16 GrF         | 1    |
| 43       | 712-3019    | Nut, Hex, 7/16-14 GR2                   | 1    |           |               |                                      |      |

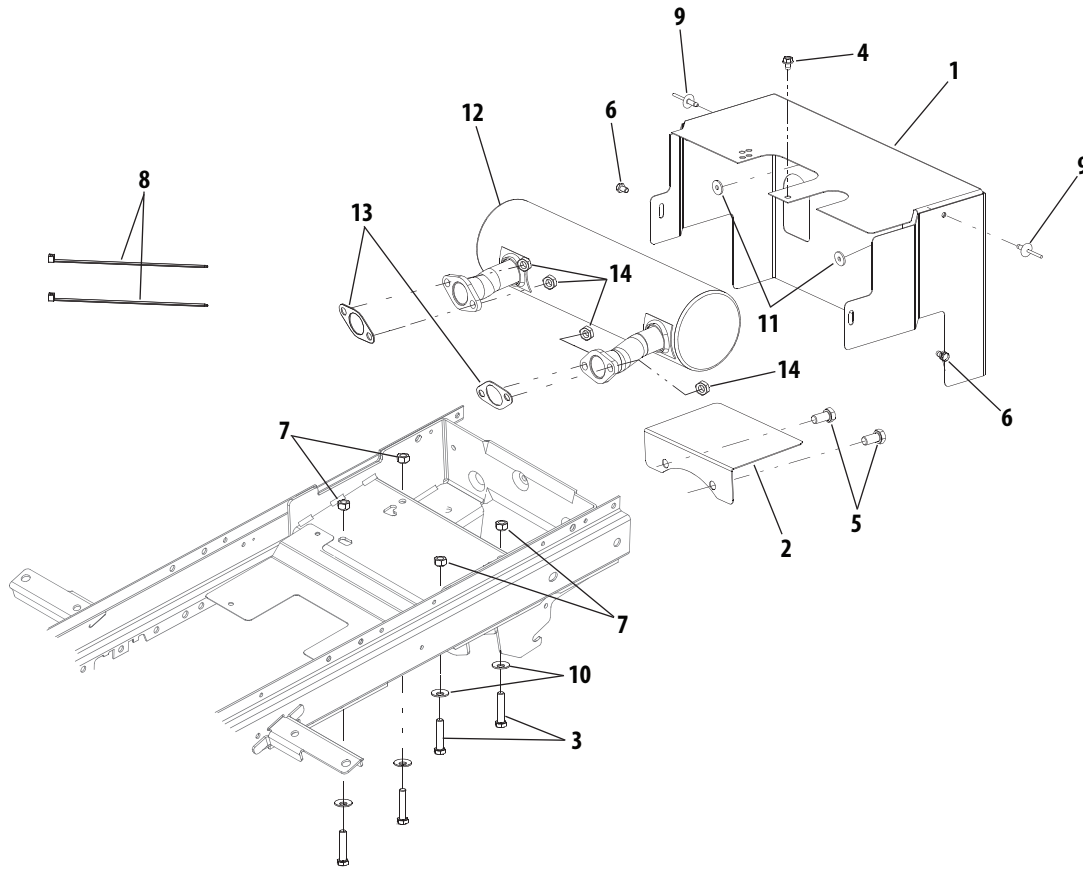
### 54" Deck Drive and Spindle Assembly



### 54" Deck Drive and Spindle Assembly

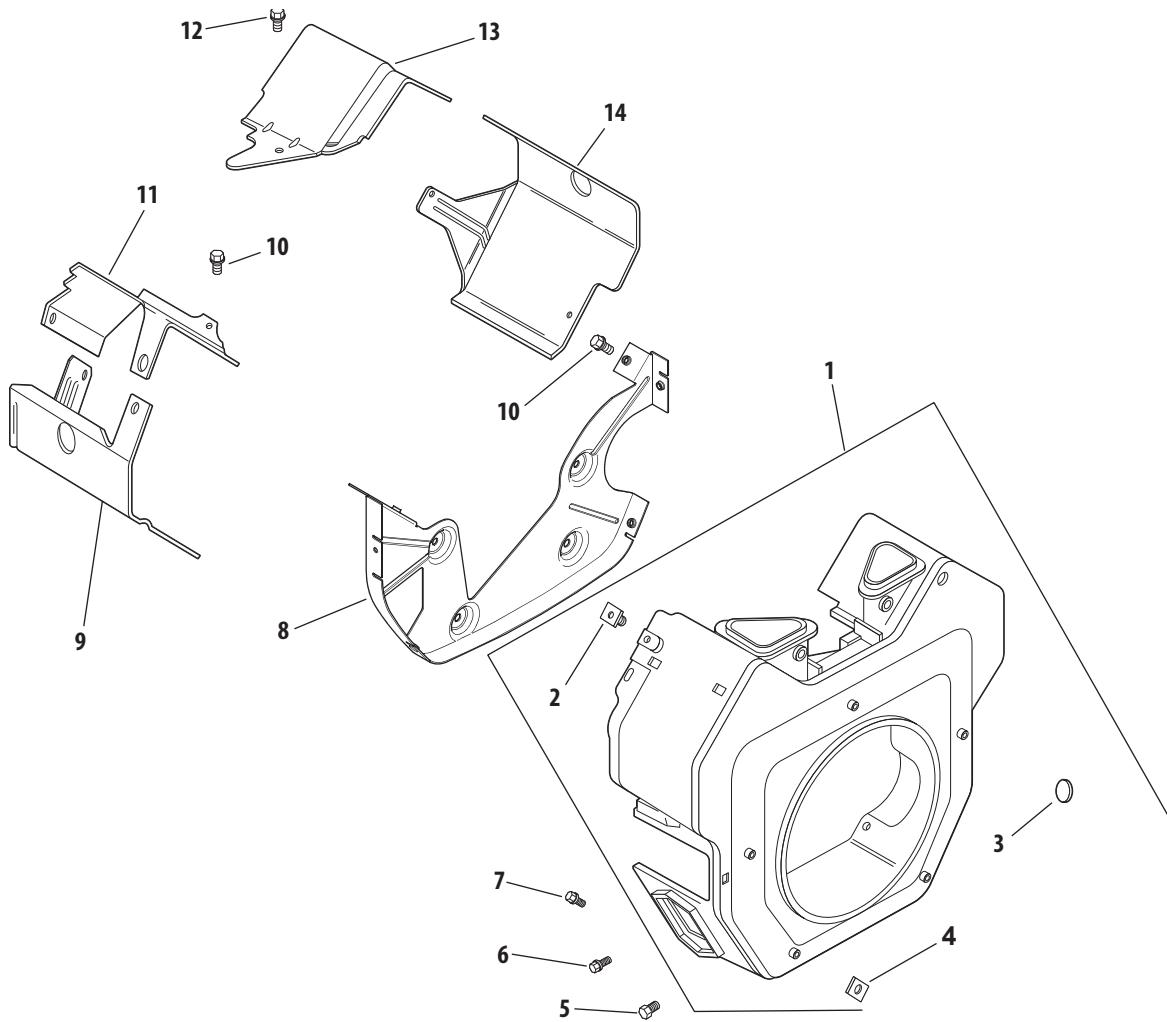
| REF. NO. | PART NUMBER          | DESCRIPTION  | QTY.   |
|----------|----------------------|--|--------|
| 1        | 603-0646             | Assembly, Spacer                                   | 1      |
| 2        | 618-3129C            | Assembly, Spindle<br>Includes Ref. Nos. 28 thru 31 | 3      |
| 3        | 756-3115<br>737-3000 | Pulley, Double<br>Fitting, Lube                    | 1<br>1 |
| 4        | 710-0347             | Screw, Hex Cap, 3/8-16 x 1.75 GR5                  | 1      |
| 5        | 710-0602             | Screw, Hex Wash Hd Tapp, 5/16-18 x 1.0             | 12     |
| 6        | 710-0923             | Screw, Hex Cap, 5/8-18 x 3 GR5                     | 1      |
| 7        | 710-1693             | Bolt, Spindle, 3/4-16 x 5.215                      | 3      |
| 8        | 710-3066             | Screw, Hex Cap, 3/8-16 x 2.75GR8                   | 1      |
| 9        | 710-3073             | Screw, Hex Cap, 5/16-18 x 2.25 GR5                 | 1      |
| 10       | 712-0431             | Nut, Flange Lock 3/8-16 GRF                        | 2      |
| 11       | 712-3004A            | Nut, Flange Lock, 5/16-18 GR5                      | 1      |
| 12       | 712-3010             | Nut, Hex, 5/16-18 GR5                              | 1      |
| 13       | 712-3078             | Nut, Hex Flange, 3/4-16                            | 3      |
| 14       | 716-3020             | Ring, Internal Retaining                           | 2      |
| 15       | 736-0237             | Washer, Flat .65 x 1.25 x .075                     | 2      |
| 16       | 736-3039             | Washer, Flat .406 x 1.5 x .105                     | 1      |
| 17       | 737-3000             | Fitting, Grease                                    | 3      |
| 18       | 738-0372B            | Spacer, Shoulder                                   | 1      |
| 19       | 741-1122             | Bearing, Ball,                                     | 2      |
| 20       | 759-3820<br>759-3841 | Blade, High Lift 18.5" Lg.<br>Blade, Hard Coated   | 3<br>3 |
| 21       | 748-3065A            | Spacer, Deck Spindle                               | 6      |
| 22       | 748-3101             | Spacer, Blade                                      | 3      |
| 23       | 750-3132             | Spacer, .635 x .88 x 1.25                          | 1      |
| 24       | 754-04047            | Belt, "V" 114.2" Lg.                               | 1      |
| 25       | 754-04055            | Belt, "V" 111.4" Lg.                               | 1      |
| 26       | 756-04129            | Pulley, Flat, 4.25 Dia.                            | 2      |
| 27       | 756-3096             | Pulley, "V"  | 3      |
| 28       | 721-3018A            | Seal, Oil, 1.25 x 1.874 x .25                      | 6      |
| 29       | 741-04129            | Bearing, Cone                                      | 6      |
| 30       | 741-04130            | Cup, Bearing                                       | 6      |
| 31       | 750-04409            | Spacer, Bearing                                    | 3      |

## Engine Mounting and Muffler



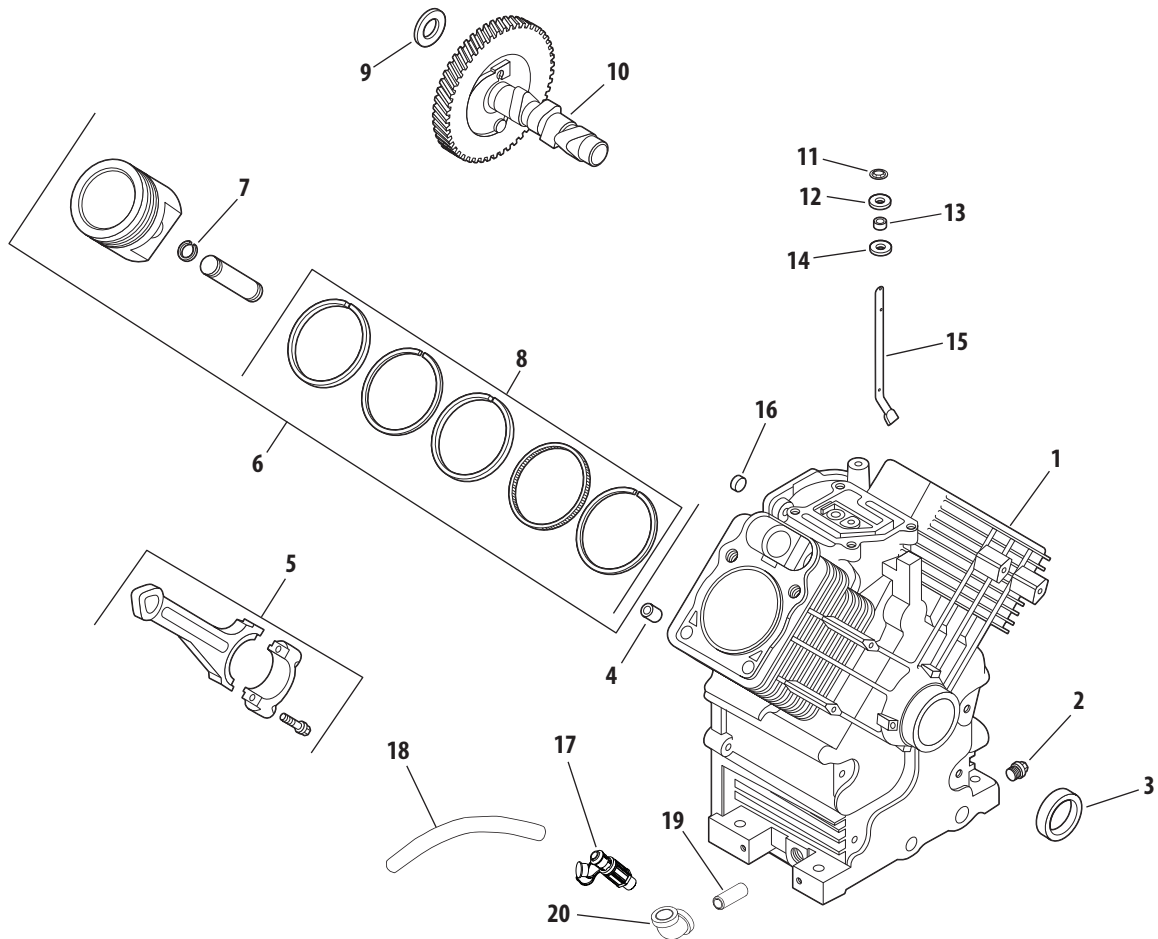
| REF. NO. | PART NUMBER | DESCRIPTION                          | QTY. |
|----------|-------------|--------------------------------------|------|
| 1        | 703-05875C  | Shield, Heat                         | 1    |
| 2        | 703-05883   | Shield, Clutch                       | 1    |
| 3        | 710-0539    | Bolt, Eng Mount, 3/8-24 x 1.75 GR5   | 4    |
| 4        | 710-0653    | Screw, Hx Wsh Hd Tapp, 1/4-20 x .375 | 1    |
| 5        | 710-3119    | Screw, Hx Cap Lock, 3/8-16 x .75 Gr5 | 2    |
| 6        | 710-3209    | Screw, Hex Cap, M6 x 1 x 10          | 2    |
| 7        | 712-3054    | Nut, Hex Lock, 3/8-24                | 4    |
| 8        | 725-0157    | Tie, Cable                           | 2    |
| 9        | 728-0177    | Rivet, Pop, 3/16 x .45               | 2    |
| 10       | 736-0105    | Washer, Bell, .380 x .88 x .062      | 4    |
| 11       | 736-0400    | Washer, Flat, .194 x .62 x .063      | 2    |
| 12       | 751-10249A  | Muffler Assembly                     | 1    |
| 13       | 721-0377A   | Gasket, Exhaust                      | 2    |
| 14       | 712-3086    | Nut, Hex Flange                      | 4    |

## Blower Housing and Baffles



| REF. NO.               | PART NUMBER     | DESCRIPTION                       | QTY. |
|------------------------|-----------------|-----------------------------------|------|
| 1                      | KH-24-027-175-S | Housing, Blower (Incl. Ref #2-4)  | 1    |
| 2                      | KH-24-100-02-S  | Nut, Plastic                      | 2    |
| 3                      | KH-25-139-16    | Plug, Button, 9/16                | 1    |
| 4                      | KH-24-100-01    | Nut, Plastic                      | 3    |
| 5                      | KH-M-561016-S   | Screw, Hex Flange, M5 x 0.8 x 16  | 1    |
| 6                      | KH-M-545016-S   | Screw, Hex Flange, M5 x 0.8 x 16  | 3    |
| 7                      | KH-M-545020-S   | Screw, Hex Flange, M5 x 0.8 x 20  | 4    |
| 8                      | KH-24-146-55-S  | Plate, Backing                    | 1    |
| 9                      | KH-24-063-88-S  | Baffle, Cylinder Barrel - #2 Side | 1    |
| 10                     | KH-M-645016-S   | Screw, Hex Flange, M6 x 1.0 x 16  | 6    |
| 11                     | KH-24-063-70-S  | Baffle, Valley - #2 Side          | 1    |
| 12                     | KH-M-0545010    | Screw, Hex Flange, M5 x 0.8 x 10  | 2    |
| 13                     | KH-24-063-59-S  | Baffle, Valley - #1 Side          | 1    |
| 14                     | KH-24-063-85-S  | Baffle, Cylinder Barrel - #1 Side | 1    |
| <b>Not Illustrated</b> |                 |                                   |      |
|                        | KH-24-154-11-S  | Clip, Speed Nut                   | 1    |
|                        | KH-41-037-10-S  | Nameplate, Service                | 1    |

## Crankcase

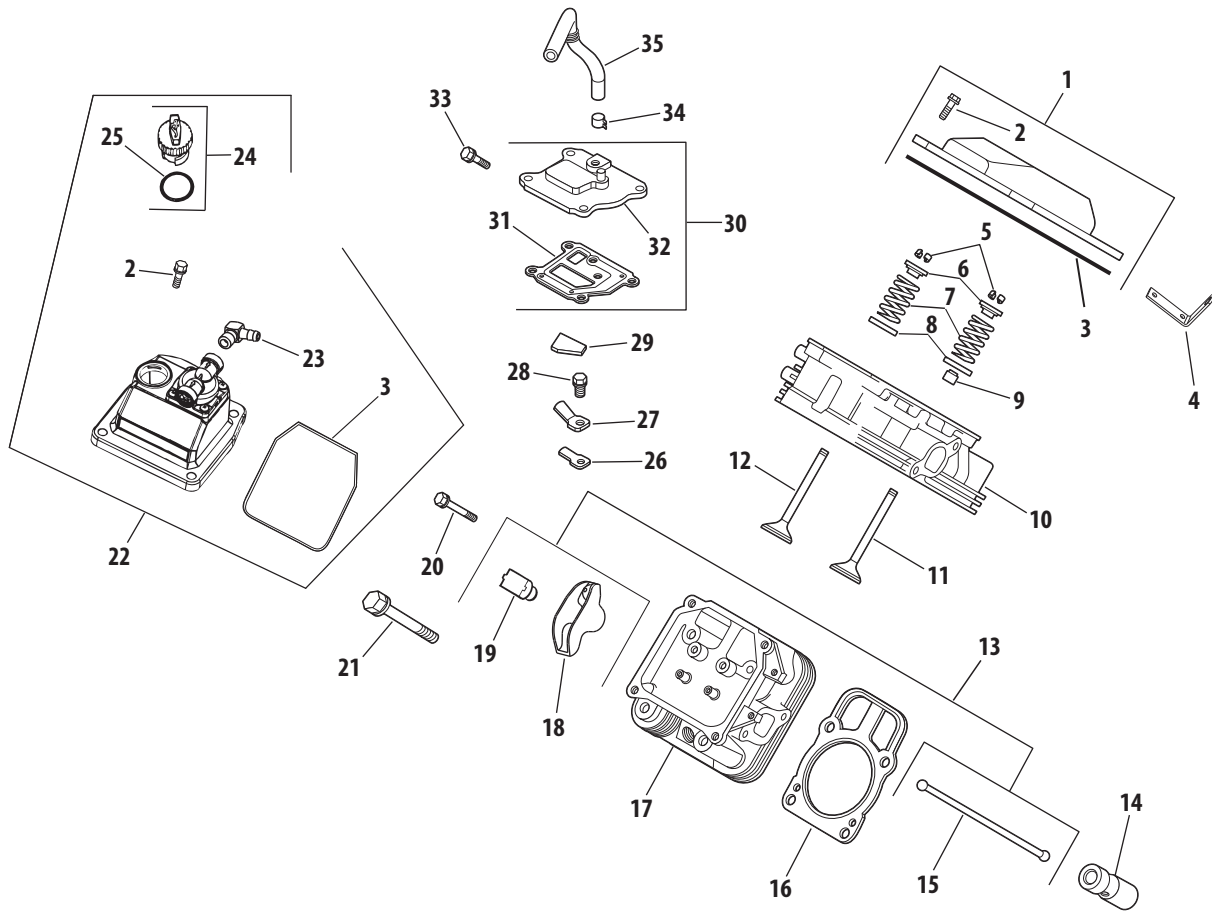


| REF. NO. | PART NUMBER     | DESCRIPTION                     | QTY. |
|----------|-----------------|---------------------------------|------|
|          | KH-PA-76623     | Complete Engine                 | 1    |
|          | KH-24-522-251   | Short Block                     | 1    |
|          | KH-24-755-108-S | Gasket Set                      | 1    |
| 1        | KH-24-782-27    | Crankcase, (Use Miniblock)      | 1    |
| 2        | KH-25-139-57-S  | Plug, Hex Hd, 3/8               | 2    |
| 3        | KH-24-032-19-S  | Seal, Front Oil                 | 1    |
| 4        | KH-24-380-16-S  | Pin, Locating Dowel             | 6    |
| 5        | KH-24-067-24-S  | Rod, Connecting, Std            | 2    |
|          | KH-24-067-17-S  | Rod, Connection, .010 / .25mm   | 2    |
| 6        | KH-24-874-34-S  | Piston w/Ring Set, Std          | 2    |
|          | KH-24-874-10    | Piston w/Ring Set, .010 / .25mm | 2    |
|          | KH-24-874-11    | Piston w/Ring Set, .020 / .50mm | 2    |
|          | KH-24-874-15    | Piston w/Ring Set, .08mm        | 2    |
| 7        | KH-24-018-01-S  | Retainer, Piston Pin            | 4    |
| 8        | KH-24-108-08-S  | Ring Set, Std., .08             | 2    |
|          | KH-24-108-09-S  | Ring Set, .010 / .25mm          | 2    |
|          | KH-24-108-10-S  | Ring Set, .020 / .50mm          | 2    |
| 9        | KH-24-012-10-S  | Camshaft Assembly               | 1    |

| REF. NO. | PART NUMBER    | DESCRIPTION                    | QTY. |
|----------|----------------|--------------------------------|------|
| 10       | KH-12-422-09-S | Shim, Camshaft, .0320 (Red)    | AR   |
|          | KH-12-422-13-S | Shim, Camshaft, .0400 (Black)  | AR   |
|          | KH-12-422-07-S | Shim, Camshaft, .0280 (White)  | AR   |
|          | KH-12-422-08-S | Shim, Camshaft, .0300 (Blue)   | AR   |
|          | KH-12-422-10-S | Shim, Camshaft, .0340 (Yellow) | AR   |
|          | KH-12-422-11-S | Shim, Camshaft, .0360 (Green)  | AR   |
|          | KH-12-422-12-S | Shim, Camshaft, .0380 (Gray)   | AR   |
| 11       | KH-24-018-09-S | Ring, Retainer                 | 1    |
| 12       | KH-M-931010-S  | Washer, Nylon                  | 1    |
| 13       | KH-28-032-09-S | Seal, Governor Cross Shaft     | 1    |
| 14       | KH-24-468-15-S | Washer, Plain                  | 1    |
| 15       | KH-24-144-38-S | Shaft, Governor Cross          | 1    |
| 16       | KH-52-139-09-S | Plug, Cup                      | 1    |
| 17       | 751-10517      | Drain, Oil                     | 1    |
| 18       | 751-3141-12    | Hose, Oil Drain                | 1    |
| 19       | 737-0199       | Pipe, Straight, 3/8 NPT x 2.0  | 1    |
| 20       | 737-0272       | Elbow, 90 Degree               | 1    |



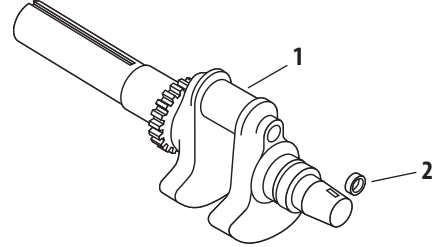
## Cylinder Head, Valves and Breather



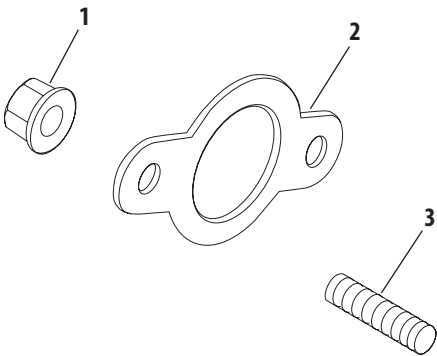
| REF. NO. | PART NUMBER     | DESCRIPTION                        | QTY. | REF. NO. | PART NUMBER     | DESCRIPTION   | QTY. |
|----------|-----------------|------------------------------------|------|----------|-----------------|---|------|
| 1        | KH-24-755-141-S | Kit, Valve Cover (Includes 2-3)    | 1    | 19       | KH-24-599-02    | Pivot, Rocker Arm   | 4    |
| 2        | KH-M-651030-S   | Screw, Hex Flng, M6 x1.0 x 30      | 8    | 20       | KH-M-640034-S   | Screw, Hex Flng, M6 x 1.0 x 34                                | 4    |
| 3        | KH-24-153-30-S  | O-Ring, Valve Cover                | 2    | 21       | KH-12-086-16    | Screw, Hex Flng, M10 x 1.5 x 90                               | 8    |
| 4        | KH-24-445-01    | Strap, Lifting                     | 1    | 22       | KH-24-559-10-S  | Kit, Fuel Pump Valve Cover                                    | 1    |
| 5        | KH-12-755-03    | Kit, Retainer                      | 4    | 23       | KH-25-294-11-S  | Fitting, 90°  | 2    |
| 6        | KH-12-173-01    | Cap, Valve Spring                  | 4    | 25       | KH-24-227-02-S  | Cap Assembly, Oil Fill (Incl. 26)                             | 1    |
| 7        | KH-24-089-02    | Spring, Valve                      | 4    | 26       | KH-24-153-09    | O-Ring  | 1    |
| 8        | KH-235011-S     | Retainer, Spring                   | 4    | 27       | KH-24-402-03    | Reed, Breather  | 1    |
| 9        | KH-66-032-05-S  | Seal, Valve Stem                   | 2    | 28       | KH-66-018-04-S  | Retainer, Breather Reed                                       | 1    |
| 10       | KH-24-318-68-S  | Head Assembly, #1 Cylinder         | 1    | 29       | KH-M-0545010    | Screw, Hex Flng, M5 x 0.8 x 10                                | 1    |
| 11       | KH-24-017-01    | Valve, Intake Std                  | 2    | 30       | KH-24-050-11-S  | Filter, Breather  | 1    |
|          | KH-24-017-02    | Valve, Intake, .25mm               | 2    | 31       | KH-24-033-01    | Kit, Breather (Includes 32-34)                                | 1    |
| 12       | KH-24-016-01    | Valve, Exhaust Std                 | 2    | 32       | KH-24-041-51-S  | Gasket, Breather  | 1    |
|          | KH-24-016-02    | Valve, Exhaust, .25mm              | 2    | 33       | KH-24-096-86-S  | Cover, Breather   | 1    |
| 13       | KH-24-755-66    | Kit, Valve Train (Incl. 15,18,19)  | 1    | 34       | KH-M-645020-S   | Screw, Hex Flng M6 x 1.0 x 20                                 | 4    |
| 14       | KH-25-351-04-S  | Lifter, Valve                      | 4    | 35       | KH-25-237-14-S  | Clamp, Breather   | 1    |
| 15       | KH-24-411-05    | Rod, Push                          | 4    | 36       | KH-24-326-89-S  | Hose, Breather  | 1    |
| 16       | KH-24-841-02-S  | Kit, Cyl. Hd. Gasket (Includes 21) | 2    |          | KH-24-755-147-S | Kit, Cylinder Head, Includes Ref. Nos. 5-9, 11, 12, 15, 18-20 | 1    |
| 17       | KH-24-318-71-S  | Head Assembly, #2 Cylinder         | 1    |          |                 |   |      |
| 18       | KH-25-186-01    | Arm, Rocker                        | 4    |          |                 |   |      |

## Crankshaft

| REF. NO. | PART NUMBER    | DESCRIPTION               | QTY. |
|----------|----------------|---------------------------|------|
| 1        | KH-24-014-06-S | Crankshaft (Incl. Ref #2) | 1    |
| 2        | KH-52-139-09-S | Plug, Cup                 | 1    |

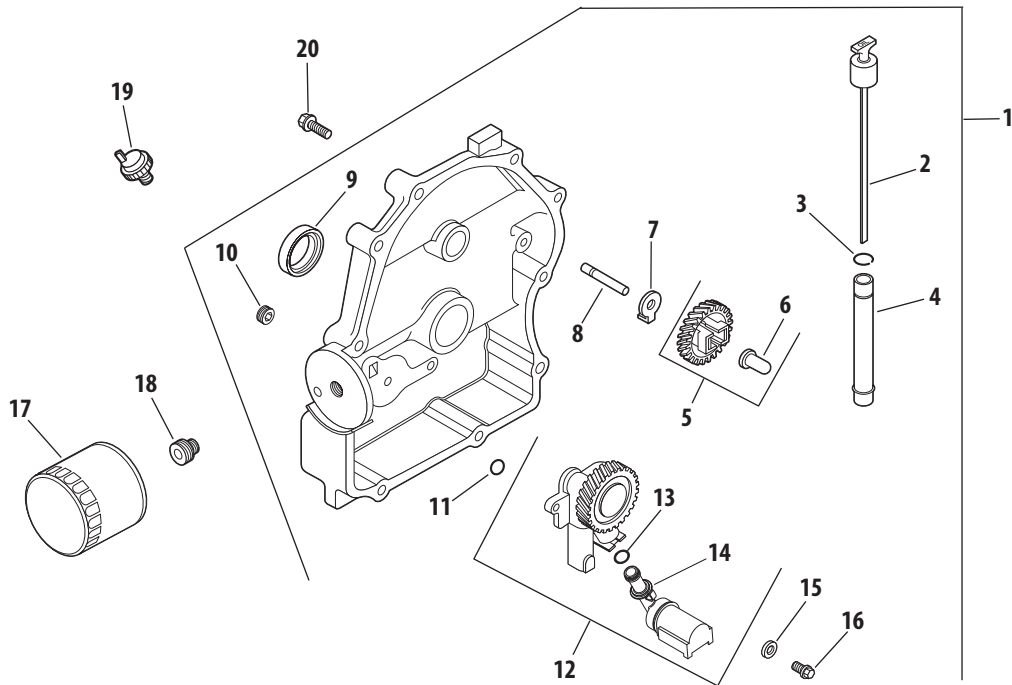


## Exhaust



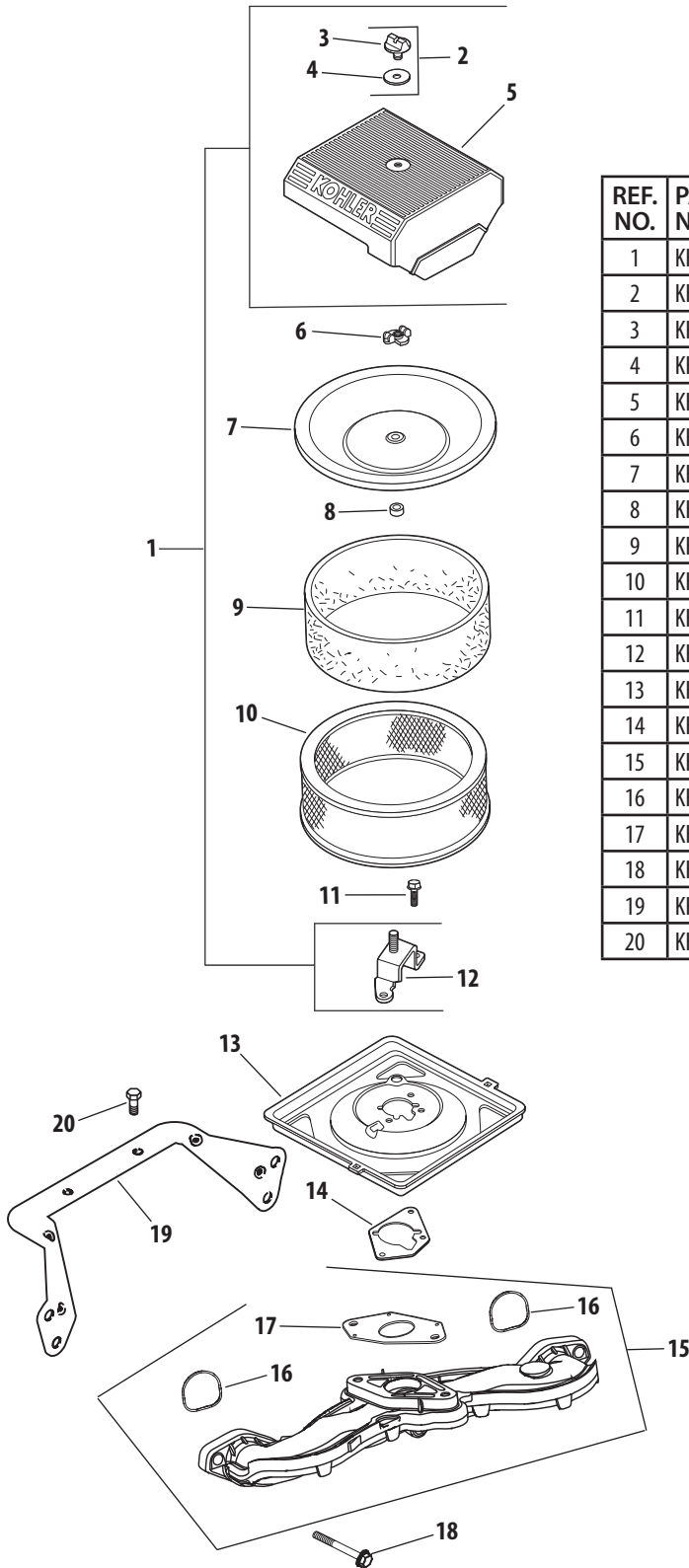
| REF. NO. | PART NUMBER    | DESCRIPTION                      | QTY. |
|----------|----------------|----------------------------------|------|
| 1        | 712-3086       | Nut, Muffler Mounting, M8 x 1.25 | 4    |
| 2        | 721-0377A      | Gasket, Exhaust                  | 2    |
| 3        | KH-25-072-14-S | Stud, Exhaust, M8 x 1.25 x 33    | 4    |

## Oil Pan and Lubrication



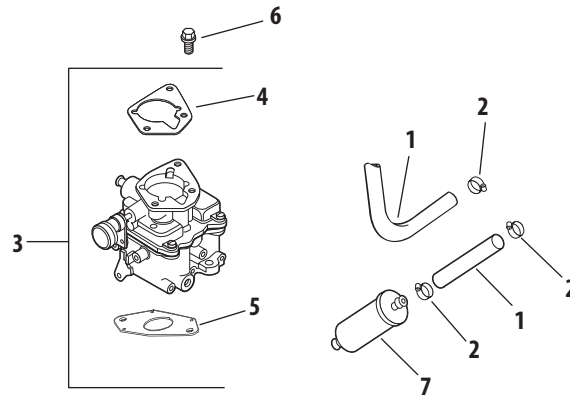
| REF. NO. | PART NUMBER    | DESCRIPTION                           | QTY. |
|----------|----------------|---------------------------------------|------|
| 1        | KH-24-009-98-S | Plate Assy, Closure (Incl. Ref #2-15) | 1    |
| 2        | KH-24-038-08-S | Dipstick                              | 1    |
| 3        | KH-41-153-01   | O-Ring                                | 1    |
| 4        | KH-24-123-11-S | Tube, Oil Fill/Dipstick               | 1    |
| 5        | KH-24-043-12   | Kit, Governor Gear (Incl. Ref #6)     | 1    |
| 6        | KH-12-380-01   | Pin, Governor Regulating              | 1    |
| 7        | KH-24-448-02-S | Tab, Locking                          | 1    |
| 8        | KH-12-144-02   | Shaft, Governor Gear                  | 1    |
| 9        | KH-25-032-06-S | Seal, Oil (PTO end)                   | 1    |
| 10       | KH-25-139-60-S | Plug, Pipe 1/8                        | 1    |
| 11       | KH-24-153-08   | O-Ring                                | 1    |
| 12       | KH-24-393-51-S | Oil Pump Assy (Incl. Ref #13-14)      | 1    |
| 13       | KH-24-153-01   | O-Ring, Oil Pick-up                   | 1    |
| 14       | KH-24-381-04   | Pick-up, Oil                          | 1    |
| 15       | KH-M-0631005   | Washer, Plain                         | 2    |
| 16       | KH-M-645025-S  | Screw, Hex Flange, M6 x 1.0 x 25      | 2    |
| 17       | KH-12-050-01-S | Filter, Oil                           | 1    |
| 18       | KH-24-136-01   | Nipple, Oil Filter                    | 1    |
| 19       | KH-25-099-27-S | Switch, Pressure                      | 1    |
| 20       | KH-24-086-17-S | Screw, Hex Flange, M8 x 1.25 x 45     | 1    |

**Air Intake and Filtration**



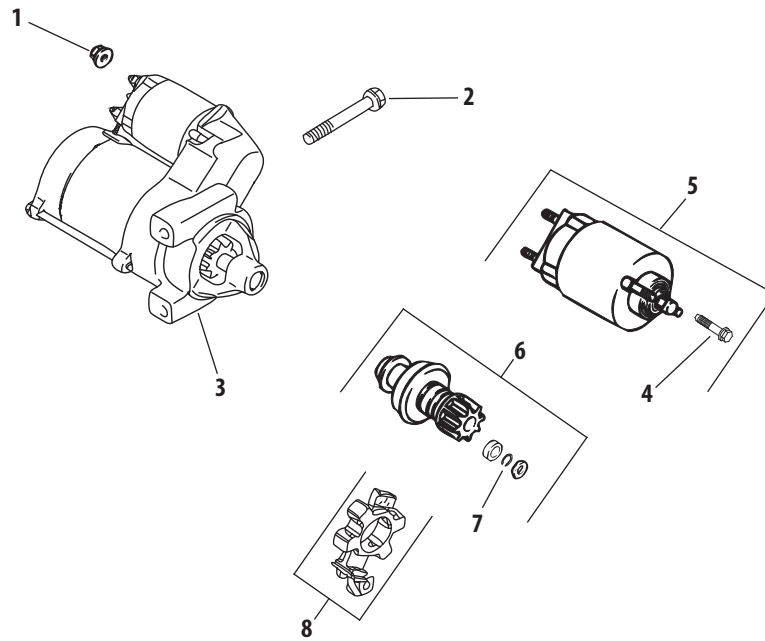
| REF. NO. | PART NUMBER     | DESCRIPTION                            | QTY. |
|----------|-----------------|--|------|
| 1        | KH-24-743-08    | Kit, Air Cleaner Cover (Incl. 2-5, 12) | 1    |
| 2        | KH-54-755-01-S  | Kit, Knob w/Seal (Incl. Ref #2,3)      | 1    |
| 3        | KH-25-341-04-S  | Knob, Cover                            | 1    |
| 4        | KH-24-153-20-S  | Seal, Air Cleaner Cover Knob           | 1    |
| 5        | KH-24-096-69-S  | Cover, Air Cleaner                     | 1    |
| 6        | KH-12-100-01    | Wing Nut                               | 1    |
| 7        | KH-24-096-01    | Cover, Inner Air Cleaner               | 1    |
| 8        | KH-24-032-03    | Seal, Inner Air Cleaner                | 1    |
| 9        | KH-47-883-03-S1 | Precleaner, Element - Includes Ref. 10 | 1    |
| 10       | KH-47-883-03-S1 | Element, Air Cleaner - Includes Ref. 9 | 1    |
| 11       | KH-24-086-53-S  | Screw, Hex Flng, M6 x 1.0 x 16         | 2    |
| 12       | KH-24-126-21    | Bracket, Air Cleaner Base              | 1    |
| 13       | KH-24-094-39-S  | Base, Air Cleaner                      | 1    |
| 14       | KH-24-041-06    | Gasket, Air Cleaner Base               | 1    |
| 15       | KH-24-164-54-S  | Manifold, Intake (Includes 16,17)      | 1    |
| 16       | KH-24-153-27-S  | O-Ring, Intake Manifold                | 2    |
| 17       | KH-24-041-53-S  | Gasket, Carburetor                     | 1    |
| 18       | KH-M-651040-S   | Screw, Hex Flange, M6 x 1.0 x 40       | 4    |
| 19       | KH-24-126-130-S | Bracket, Air Cleaner Base              | 1    |
| 20       | KH-M-0545010    | Screw, Hex Flange, M5 x .8 x10         | 2    |

## Fuel System



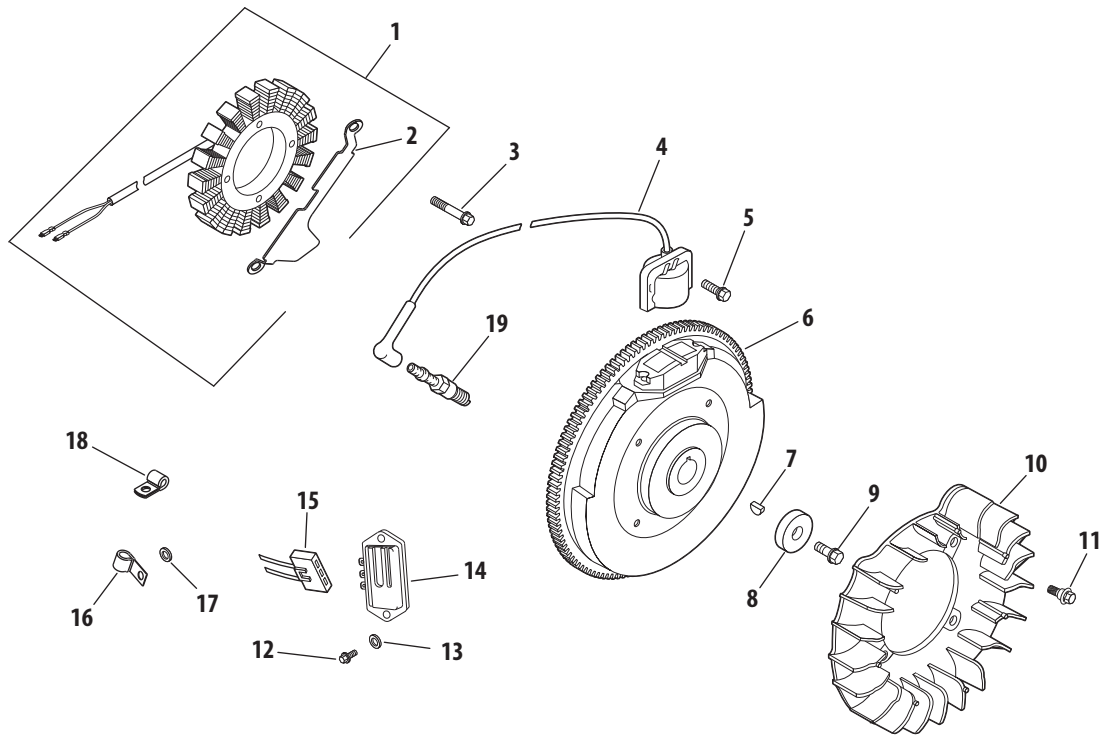
| REF. NO.               | PART NUMBER     | DESCRIPTION                             | QTY. |
|------------------------|-----------------|---|------|
| 1                      | KH-25-111-34-S  | Line, Fuel (24" - Cut to Length)        | 2    |
| 2                      | KH-25-237-14-S  | Clamp, Hose                             | 4    |
| 3                      | KH-24-853-59-S  | Kit, Carburetor w/Gasket (Includes 2,3) | 1    |
| 4                      | KH-24-041-06    | Gasket, Air Cleaner Base                | 1    |
| 5                      | KH-24-041-17-S  | Gasket, Carburetor                      | 1    |
| 6                      | KH-25-086-124-S | Screw, Hex Flange, M6 x 1.0 x 25        | 2    |
| 7                      | KH-24-050-13-S  | Filter, Fuel                            | 1    |
| <b>Not Illustrated</b> |                 |   |      |
|                        | KH-24-518-24-S  | Lead, Ground                            | 1    |
|                        | KH-24-757-01    | Kit, Solenoid                           | 1    |
|                        | KH-24-757-02-S  | Kit, Float Repair                       | 1    |
|                        | KH-24-757-03-S  | Kit, Carburetor Repair                  | 1    |
|                        | KH-24-757-07    | Kit, Choke Repair                       | 1    |
|                        | KH-24-755-125-S | Kit, High Altitude                      | 1    |

## Electric Start



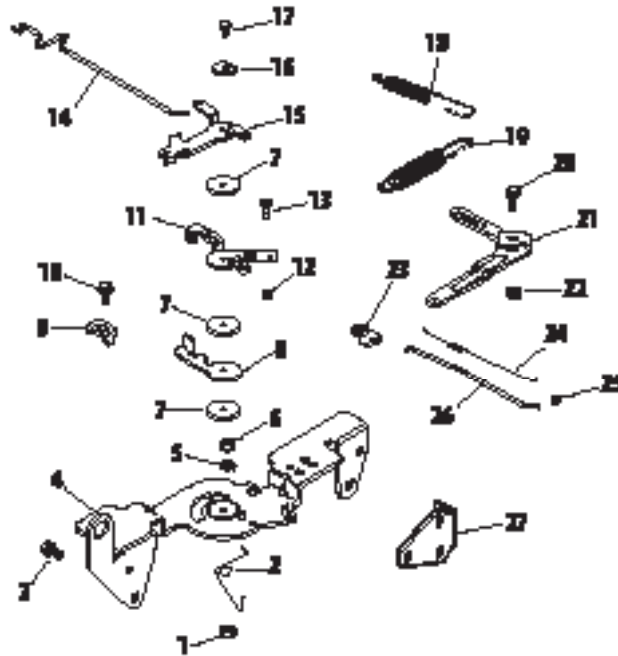
| REF. NO. | PART NUMBER     | DESCRIPTION                                     | QTY. |
|----------|-----------------|---|------|
| 1        | KH-M-0841080    | Nut, Hex Flange M8 x 1.25"                      | 1    |
| 2        | KH-M-839080     | Screw, Hex Flange M8 x 1.25 x 80                | 2    |
| 3        | KH-25-098-09-S  | Starter, Solenoid Shift Assembly (Includes 4-8) | 1    |
| 4        | KH-25-086-113-S | Screw, External Torx Hd.                        | 3    |
| 5        | KH-25-435-06-S  | Kit, Solenoid                                   | 1    |
| 6        | KH-25-755-33-S  | Kit, Pinion Drive (Includes 7)                  | 1    |
| 7        | KH-25-141-05-S  | Ring, Retainer                                  | 1    |
| 8        | KH-25-221-01-S  | Kit, Brush                                      | 1    |

## Ignition, Electrical and Flywheel



| REF. NO.               | PART NUMBER     | DESCRIPTION                       | QTY. |
|------------------------|-----------------|-----------------------------------|------|
| 1                      | KH-237878       | Stator Kit, 15 Amp                | 1    |
| 2                      | KH-24-126-139-S | Bracket, Stator Wire              | 1    |
| 3                      | KH-M-548025-S   | Screw, Stator Mtg. M5 x .8 x 25   | 2    |
| 4                      | KH-24-584-45-S  | Module, Ignition                  | 2    |
| 5                      | KH-M-545020-S   | Screw, Module M5 x .8 x 20        | 4    |
| 6                      | KH-24-025-04    | Flywheel Assembly                 | 1    |
| 7                      | KH-X-42-15      | Key                               | 1    |
| 8                      | KH-12-468-03    | Washer, Flat, 13/32               | 1    |
| 9                      | KH-12-086-14    | Screw, Flange M10x1.5 x 45        | 1    |
| 10                     | KH-24-157-11-S  | Fan                               | 1    |
| 11                     | KH-25-086-47    | Bolt, Shoulder                    | 4    |
| 12                     | KH-24-086-18    | Screw Phillips Hd., #11-16 x .875 | 2    |
| 13                     | KH-X-25-92      | Washer, Plain                     | 2    |
| 14                     | KH-41-403-09-S  | Regulator - Rectifier             | 1    |
| 15                     | KH-236602-S     | Connector, Regulator-Rectifier    | 1    |
| 16                     | KH-235173       | Clip, Cable                       | 1    |
| 17                     | KH-X-25-63      | Washer, Plain 1/4"                | 1    |
| 18                     | KH-12-154-01    | Clip, Cable                       | 1    |
| 19                     | 759-3336        | Spark Plug                        | 2    |
| <b>Not Illustrated</b> |                 |                                   |      |
|                        | KH-24-176-08    | Harness, Wire                     | 1    |
|                        | KH-24-126-137-S | Bracket, Ground Strap             | 1    |
|                        | KH-25-086-91-S  | Screw, Tapping                    | 2    |
|                        | KH-25-454-03-S  | Tie, Wire                         | 2    |
|                        | KH-25-468-07-S  | Washer, Flat                      | 1    |

## Engine Controls



| REF. NO. | PART NUMBER    | DESCRIPTION                     | QTY. |
|----------|----------------|---------------------------------|------|
| 1        | KH-M-547050-S  | Nut, Hex Lock M5 x 0.8          | 1    |
| 2        | KH-24-089-03   | Spring, Choke Return            | 1    |
| 3        | KH-M-645016-S  | Screw, Hex Flange M6 x 1.0 x 16 | 4    |
| 4        | KH-24-126-56   | Bracket, Control                | 1    |
| 5        | KH-X-20-1      | Washer                          | 1    |
| 6        | KH-M-541050-S  | Nut, Hex                        | 1    |
| 7        | KH-24-468-01   | Washer, Plain 5.5mm             | 3    |
| 8        | KH-24-090-07   | Lever, Throttle Actuator        | 1    |
| 9        | KH-12-237-01   | Clamp, Cable                    | 2    |
| 10       | KH-M-545016-S  | Screw, Hex Flange M5 x 0.8 x 16 | 2    |
| 11       | KH-24-090-13   | Lever, Throttle Control         | 1    |
| 12       | KH-M-446030-S  | Nut, Hex M4 x 0.7               | 1    |
| 13       | KH-M-401030    | Screw, Hex Cap M4 x 0.7 x30     | 1    |
| 14       | KH-24-079-21-S | Linkage, Choke                  | 1    |
| 15       | KH-24-090-05   | Lever, Choke                    | 1    |
| 16       | KH-41-468-03   | Washer, Spring 1/4"             | 1    |
| 17       | KH-M-545020-S  | Screw, Hex Flange M5 x 0.8 x 20 | 1    |
| 18       | KH-24-089-51-S | Spring, Throttle Limiter        | 1    |
| 19       | KH-24-089-45-S | Spring, Governor                | 1    |
| 20       | KH-24-211-03-S | Screw, Round Hd. Square Neck    | 1    |
| 21       | KH-24-090-51-S | Lever, Governor                 | 1    |
| 22       | KH-M-641060-S  | Nut, Hex Flange M6 x 1.0        | 1    |
| 23       | KH-25-158-11   | Bushing, Linkage Retaining      | 1    |
| 24       | KH-24-089-01   | Spring, Linkage                 | 1    |
| 25       | KH-25-158-08   | Bushing, Linkage Retaining      | 1    |
| 26       | KH-24-079-01   | Linkage, Throttle               | 1    |
| 27       | KH-24-126-04   | Bracket, Support                | 2    |