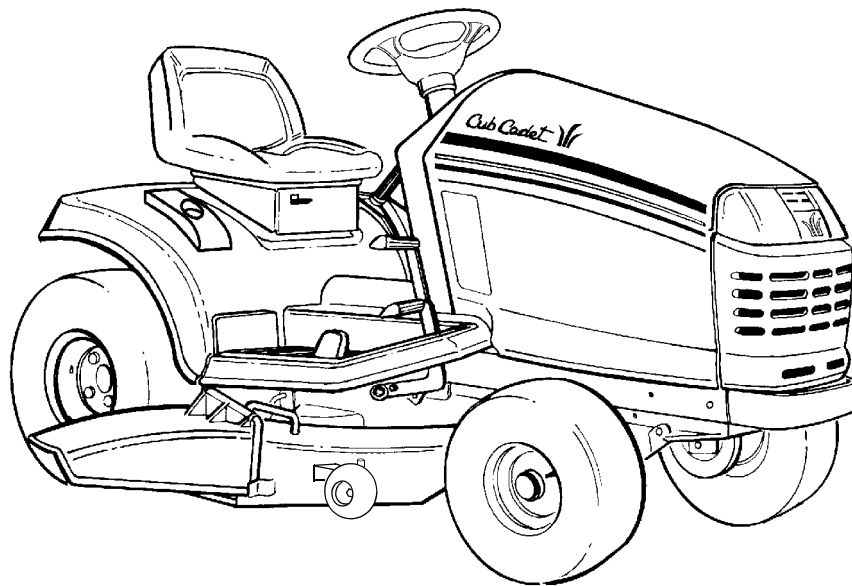


Cub Cadet

Parts Manual



SERIES 2500

TRACTOR

Model Number

GT 2554

CUB CADET LLC P.O. BOX 361131 CLEVELAND, OHIO 44136-0019 [www.cubcadet.com]

PRINTED IN U.S.A.

FORM NO. 769-01034A
(10/04)

NOTES

MODEL GT2554

TABLE OF CONTENTS

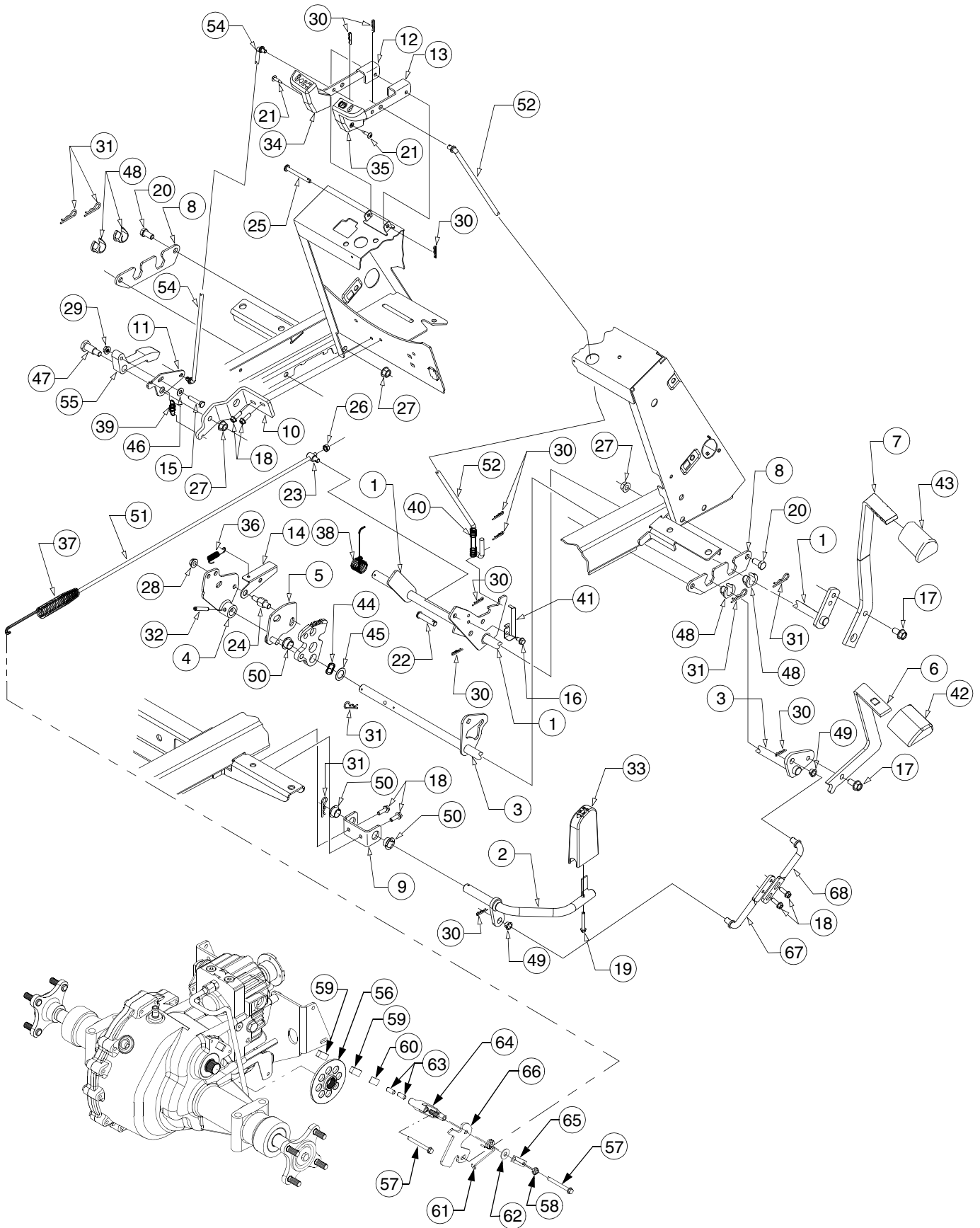
DESCRIPTION	PAGE	DESCRIPTION	PAGE
Axle, Front	36	Engine Mounting	20
Battery	16	Fender	34
Brakes	4	Frame	18
Bulkhead	15	Fuel Tank	19
Controls		Grille	32
Engine	15	Hood	32
Pedal	4	Hydraulic Filter	14
Transmission	8	Hydraulic Linkage	14
Dash Panel	15	Hydrostatic Pump	12
Drawbar	18	Implement Lift Handle	37
Drive Line	9	Implement Lift Hanger	38
Electrical		Muffler	20
Switches	16	PTO Clutch	19
Wiring	16	Running Board	34
Engine		Seat	31
Air Filter	26	Side Panels	32
Blower Housing	21	Steering	6
Breather	23	Transmission, Hydro	10
Carburetor	27	Wheels, Front & Rear	39
Controls	30	54" Mower Deck	40
Crankcase	22		
Crankshaft	24		
Cylinder Head	23		
Electrical	29		
Exhaust	24		
Flywheel	29		
Fuel System	27		
Oil Pan	25		
Starter	28		
Valves	23		

NOTE: For **painted parts**, please refer to the list of color codes below. Please add the applicable color code, wherever needed, to the part number to order a replacement part.

For instance, if a part, numbered 700-xxxx, is painted Cub Yellow, the part number to order would be 700-xxxx-0716.

Cub Yellow: 0716
Cub Beige: 0499
Cub Blue: 0685
Powder Black: 0637

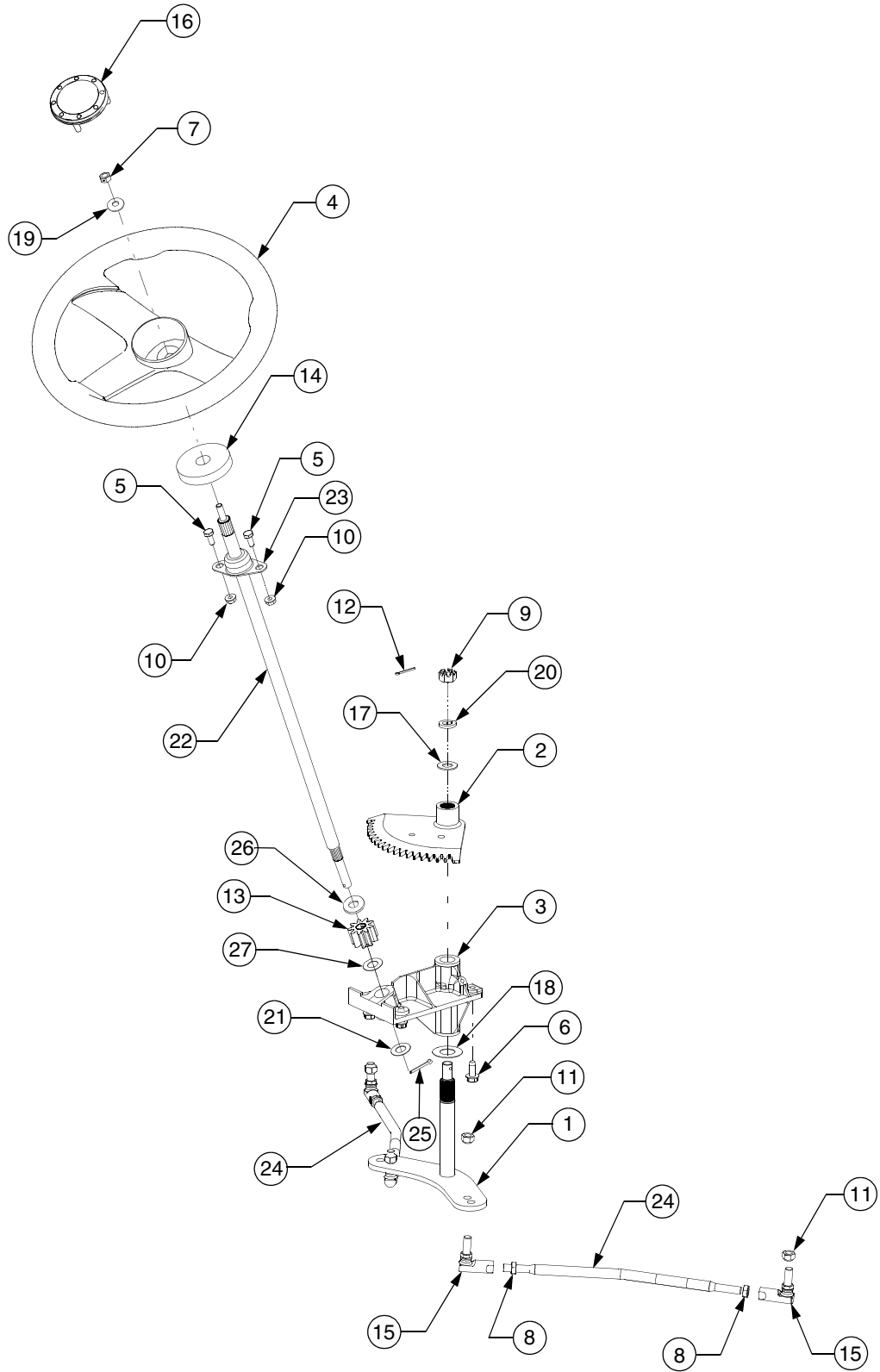
BRAKE AND CONTROL PEDALS



BRAKE AND CONTROL PEDALS

REF. NO.	PART NUMBER	DESCRIPTION	QTY.	REF. NO.	PART NUMBER	DESCRIPTION	QTY.
1	603-0321A	Shaft Assy, Brake	1	35	731-3207	Knob, Brake Lock	1
2	603-0412	Pedal Assy, Reverse	1	36	732-0418	Spring, Extension, .38 OD x 2.1	1
3	603-0697	Shaft Assy, Forward/Reverse	1	37	732-0463A	Spring, Extension	1
4	603-0419	Cam Assy, Control	1	38	732-0756A	Spring, Torsion	1
5	603-0421A	Plate Assy, Disengagement	1	39	732-04006	Spring, Extension, .6 OD x 1.34	1
6	703-2570A	Pedal, Forward	1	40	732-3099	Spring, Compression, .50 x 2.23	1
7	703-2573A	Pedal, Brake	1	41	732-3117	Spring, Switch Actuator	1
8	703-2804	Plate, Bearing Mounting	2	42	735-3048	Pad, Forward Foot Control	1
9	703-2938	Bracket, Reverse Pivot	1	43	735-3049	Pad, Brake Foot	1
10	703-2941	Bracket, Cruise	1	44	736-0174	Washer, Wave, .625 x .885 x .015	1
11	703-2942	Plate, Rod Adjustment	1	45	736-0349	Washer, Flat, .635 x 1.0 x .020	1
12	703-2962	Lever, Cruise	1	46	736-0463	Washer, Flat, 1/4 x .63 x .051	1
13	703-2963	Lever, Brake Lock	1	47	738-0145	Shoulder Bolt, .50 OD x .840	1
14	703-2965	Actuator, Reverse Switch	1	48	741-3065B	Bearing, Hex Flange Split	4
15	710-0106	Screw, Hex Cap, 1/4-20 x 1.25	1	49	741-3073	Bearing, Flange, .375 x .58 x .25	2
16	710-0599	Screw, Hex Wash Hd Tapp 1/4-20 x .5	1	50	741-3074	Bearing, Flange, .626 x .93 x .344	3
17	710-0623	Screw, Hex Wash Hd Tapp 3/8-16x .75	2	51	747-3392A	Rod, Brake	1
18	710-0642	Screw, Hex Wash Hd Tapp 1/4-20x .75	6	52	747-3219	Rod, Parking Brake	1
19	710-0796	Screw, Truss Mach, #12 x 1.5	1	54	747-3307	Rod, Cruise	1
20	710-0216	Screw, Hex Cap, 3/8-16 x .75 GR5	2	55	748-3060	Latch, Cruise	1
21	710-3009	Screw, Phil Hd Pan, #10-24 x .75	2	56	761-0215	Disc, Brake	1
22	711-0415	Pin, Clevis, 3/8 x 1.62	1	57	710-1206	Screw, Hex Wash Hd, Tapp, 1/4-20 x 2.375	2
23	711-0736	Ferrule, Adjustment, 1/4-20 Thrd	1				
24	711-1138	Stud, Actuator	1	58	712-0273	Nut, Hex Nylon Lock, 5/16-24	1
25	711-3295	Pin, Clevis, .25 x 2.38	1	59	717-0678	Pad, Brake	2
26	712-0271	Nut, Hex Sems, 1/4-20	1	60	717-0682	Plate, Puck	1
27	712-0431	Nut, Hex Flange Lock, 3/8-16	3	61	732-0925	Spring, Torsion	1
28	712-3004A	Nut, Hex Flange Lock, 5/16-18	1	62	736-0371	Washer, Flat, .343 x .88 x .062	1
29	712-3027	Nut, Hex Flange Lock, 1/4-20	1	63	741-0343	Pin, Brake Actuating	2
30	714-0104	Pin, Internal Cotter, 5/16 Dia x 1.12	9	64	761-0207A	Yoke, Brake	1
31	714-0145	Pin, Internal Cotter, 3/8 Dia x 1.62	6	65	761-0208	Bracket, Brake Anti Rotation	1
32	715-0114	Pin, Spiral Spring, 1/4 x 1.5	1	66	761-3074	Arm, Brake Actuator	1
33	731-3205	Pedal, Reverse	1	67	747-3341A	Rod, Rear Connecting	1
34	731-3206	Knob, Cruise	1	68	747-3383	Rod, Front Connecting	1

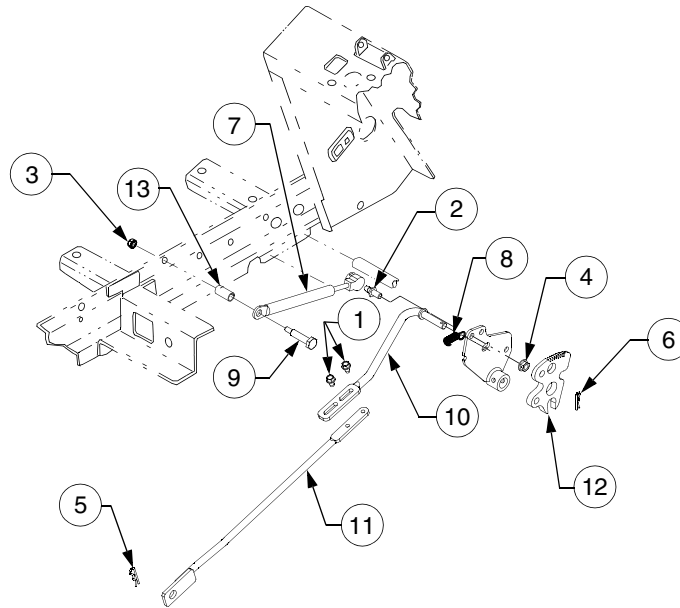
STEERING



STEERING

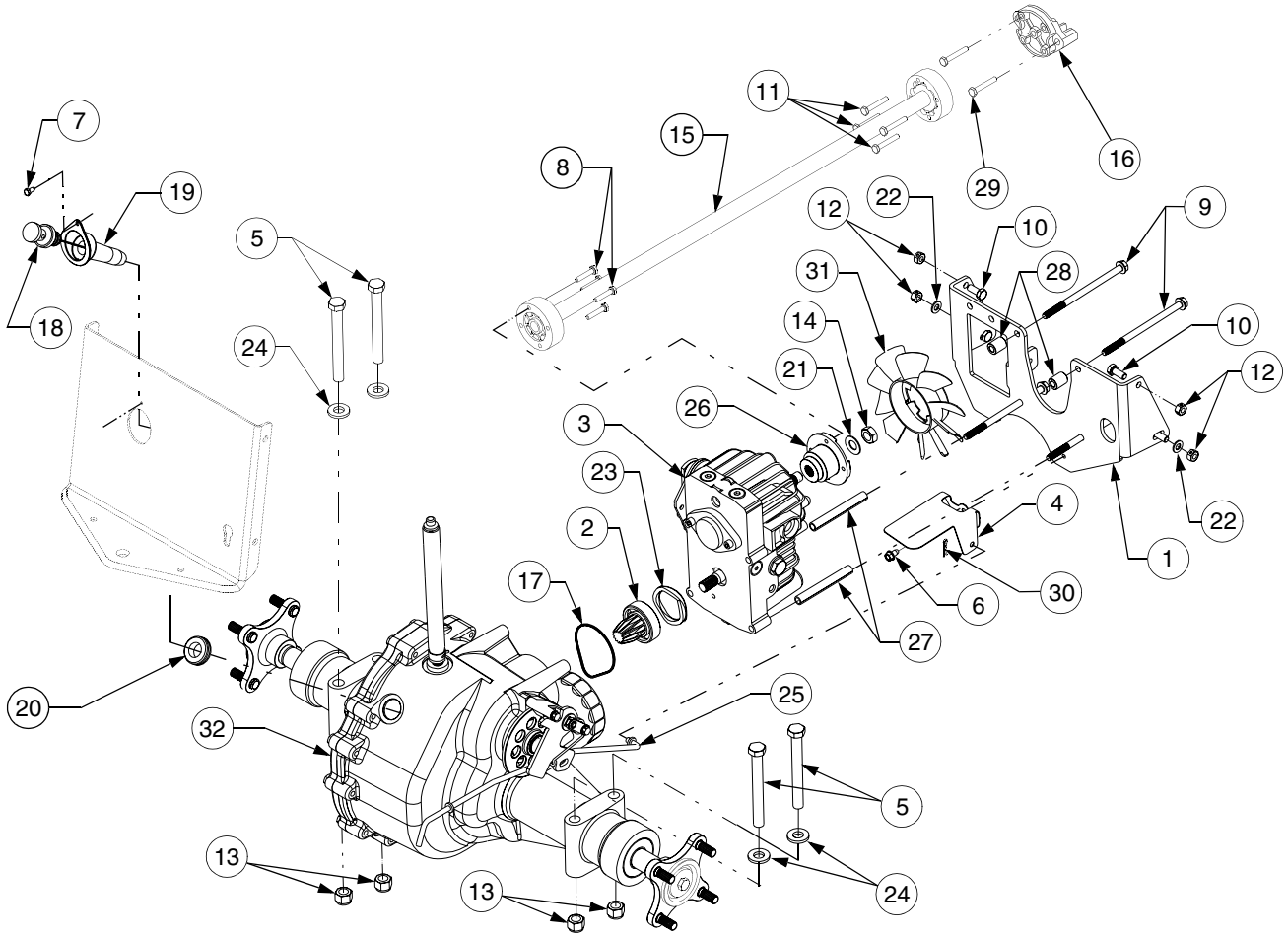
REF. NO.	PART NUMBER	DESCRIPTION	QTY.
1	603-0064	Arm Assy, Lower Steering	1
2	603-0250	Segment Assy, 18T Steering	1
3	603-0236B	Housing Assy,	1
	737-3000	Fitting, Grease, 3/16 Drive Type	1
	748-0108	Bearing, Flange, .503 ID	1
	748-3007A	Bearing, Bronze Flange, .75 ID	2
4	731-2624	Wheel, Steering, Soft Grip	1
5	710-3008	Screw, Hex Cap, 5/16 - 18 x .75, GR5	2
6	710-1260A	Screw, Hex Wash. Hd. Tapp 5/16 - 18 x .75	4
7	712-0237	Nut, Hex Center Lock, 5/16-18	1
8	712-0711	Nut, Hex Jam, 3/8-24 GR2	4
9	712-3012	Nut, Hex Slotted, 1/2-20 GR5	1
10	712-3004A	Nut, Hex Flange Lock, 5/16-18 GR5	2
11	712-3054	Nut, Hex Lock, 3/8-24 GR5	4
12	714-3004	Pin, Cotter, 3/32 Dia x 1.25	1
13	717-3382	Pinion, Steering	1
14	722-3019	Gasket, Steering	1
15	723-0156	Joint, Ball, 3/8-24	4
16	731-2625	Cap, Steering Wheel	1
17	736-0272	Washer, Flat, .510 x 1 x .06 Thk	1
18	736-0351	Washer, Flat, .760 x 1.5 x .03 Thk	1
19	736-0242	Washer, Bell., .34 x .872 x .061 Thk	1
20	736-0921	Washer, Lock, 1/2	1
21	736-3013	Washer, Flat, .531 x 1 x .027 Thk	2
22	711-04360	Shaft, Steering	1
23	741-3025	Bearing, Flange	1
24	747-3171	Rod, Tie	2
25	714-0115	Pin, Cotter, 1/8 x 1.0	1
26	736-0355	Washer, Flat, .56 x 1.0 x .04 Ht	1
27	736-3132	Washer, Flat, 1.12 x .5 x .125	1

TRANSMISSION CONTROLS



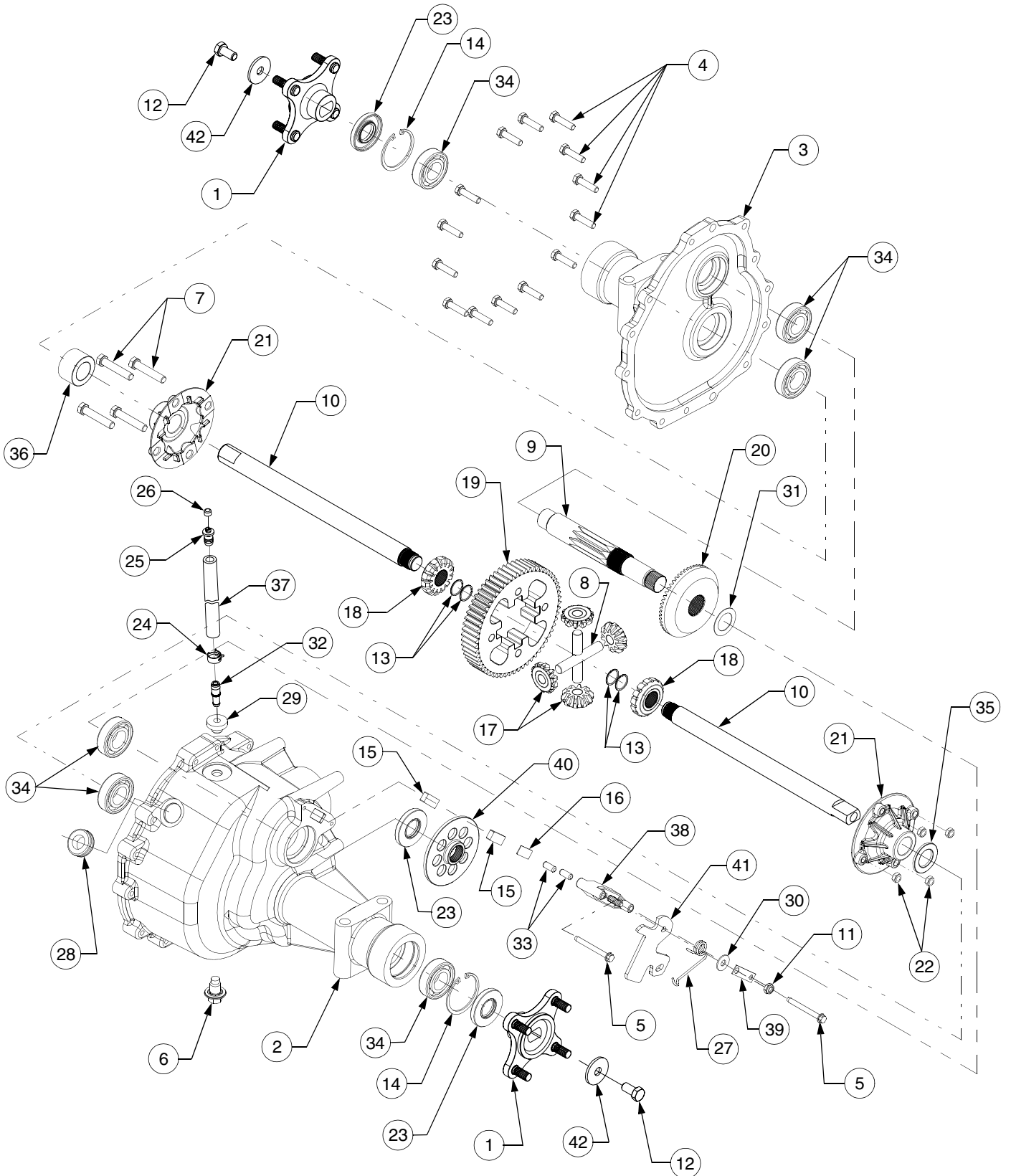
REF. NO.	PART NUMBER	DESCRIPTION	QTY.
1	710-0642	Screw, Hex Wsh Hd Tapp, 1/4-20 x .75	2
2	710-3170	Screw, Ball, 5/16-18 x.56	1
3	712-0271	Nut, Hex Sems, 1/4-20	1
4	712-3004A	Nut, Hex Flange Lock, 1/4-20	1
5	714-0101	Pin, Internal Cotter	1
6	714-0104	Pin, Internal Cotter	1
7	727-3090	Cylinder, Damper	1
8	732-3118	Spring, Extension, 3/8 OD x 1.44	1
9	738-0560	Bolt, Shoulder, .374 Dia x 1.375	1
10	747-3304	Rod, Front Control	1
11	647-3003	Rod, Rear Hydro Control	1
12	748-3070A	Plate, Cruise	1
13	750-0434	Spacer, Split Tubing, .375 ID x 1.04	1

DRIVE LINE



REF. NO.	PART NUMBER	DESCRIPTION	QTY.	REF. NO.	PART NUMBER	DESCRIPTION	QTY.
1	603-0707	Bracket, Torque	1	18	727-3195	Dipstick, Transmission	1
2	617-3002	Gear Assembly, Pinion	1	19	731-3294	Holder, Dipstick	1
3	618-3243	Transmission, Hydrostatic	1	20	735-0277A	Grommet, Rubber, .75 x 1.063	1
4	703-4093	Spring Plate, Hydro Dump	1	21	736-0253	Washer, Belleville	1
5	710-0465	Screw, Hex Cap, 1/2-20 x 4.5 GR5	4	22	736-0275	Washer, Flat, .344 x .688 x .065	2
6	710-0599	Scrw, Hx Wsh Hd Tapp, 1/4-20 x .5	1	23	736-0619	Washer, Spring	1
7	710-0919	Scrw, Hx Wsh Hd Tapp, 10-16 x .44	1	24	736-3019	Washer, Flat, .531 x 1.062 x .134	4
8	710-1062	Screw, Hex Patch, 1/4-20 x 1.25 GR5	4	25	747-3417	Rod, Hydro Dump Valve	1
9	710-1888	Scrw, Hx Hd Tapp, 5/16-18 x 5.25	4	26	748-3093	Adapter, Hydro Pump	1
10	710-3008	Screw, Hex Cap, 5/16-18 x .75 GR5	4	27	750-3349	Spacer, Hydro, .323 x .443 3.51	2
11	710-3288	Screw, Hex Patch, 1/4-20 x 1.62 GR5	4	28	750-3350	Spacer, Hydro, .323 x .600 x .74	2
12	712-3009	Nut, Hex Cntr Lock, 3/8-16	4	29	KH-24-086-16	Screw, Hex Patch, M10-1.50x 90mm	2
13	712-3058	Nut, Hex Nylon Lock, 1/2-20 GR2	4	30	714-0104	Internal Cotter Pin	1
14	712-3059	Nut, Hex Top Lock Jam, 1/2-20	1	31	731-3297	Fan, Pump	1
15	718-3143	Shaft, Drive, 30.875 Lg	1	32		Transmission Assembly, Hydro — See Pages 10-11 for Parts Info.	1
16	719-3096	Adapter, Engine	1				
17	721-0519	Seal, Gland	1				

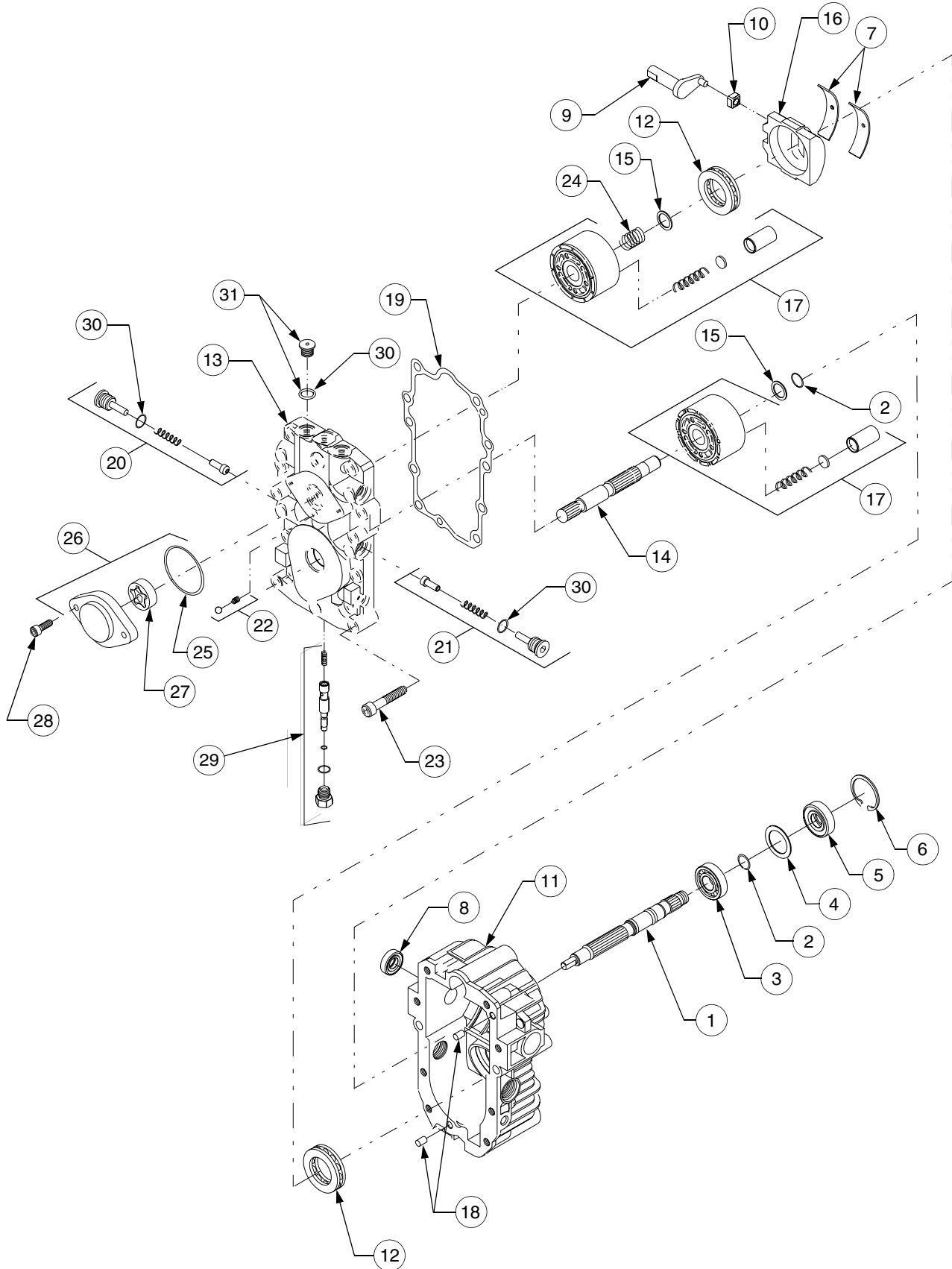
HYDRO TRANSMISSION



HYDRO TRANSMISSION

REF. NO.	PART NUMBER	DESCRIPTION	QTY.
	618-04176	Transmission Assembly, Hydro — Does not include Ref Nos. 1 and 12	1
1	618-04115	Hub Assembly, Wheel	2
2	619-3071A	Housing, RH Transmission	1
3	619-3072	Housing, LH Transmission	1
4	710-0573	Screw, Hex Cap Lock, 5/16-18 x 1.25 GR5	14
5	710-1206	Screw, Hex Wash Hd. Tapp, 1/4-20 x 2.375	2
6	710-1633	Screw, Plug, M14 x 1.5 x .827	1
7	710-3144	Screw, Hex Cap Lock, 3/8-16 x 2.0 GR5	4
8	711-1052A	Shaft, Cross, .50 x 3.005	2
9	711-1385A	Shaft, Output, 9T	1
10	711-04233	Shaft, Axle	2
11	712-0273	Nut, Hex Nylon Lock, 5/16-24	1
12	710-3119	Screw, Hex Cap Lock, 3/8-16 x .75 GR5	2
13	716-04032	Ring, Retaining	4
14	716-0204	Ring, Retaining	2
15	717-0678	Pad, Brake	2
16	717-0682	Plate, Puck	1
17	717-1446	Gear, Miter, 10T	4
18	717-04102	Gear, Miter, 14T	2
19	717-1568A	Gear, Differential Spur, 60T	1
20	717-3449	Gear, Bevel, 54T	1
21	719-0375A	Housing, Differential w/Thru Holes	2
22	712-3020	Nut, Hex Insert Jam GR5, 3/8-16	4
23	721-0523	Seal, Oil, 1.0 x 2.047 x .2755	3
24	726-0324	Clamp, Hose	1
25	731-1480	Vent, Plastic	1
26	731-1481	Cap, Plastic Vent	1
27	732-0925	Spring, Torsion	1
28	735-0277A	Grommet, Rubber, .75 x 1.063	1
29	735-0279	Grommet, Rubber, .362 x .56	1
30	736-0371	Washer, Flat, .343 x .88 x .062	1
31	736-0615	Washer, Thrust, 1.007 x 1.542 x .03	1
32	737-3092	Fitting, Tube	1
33	741-0343	Pin, Brake Actuating	2
34	741-3114	Bearing, Ball (6205-1)	6
35	750-3346	Spacer, Axle, 1.007 x 1.665 x .141	1
36	750-3358	Spacer, Axle, 1.007 x 1.665 x .989	1
37	751-0588-8	Tube, Transmission Breather	1
38	761-0207A	Yoke, Brake	1
39	761-0208	Bracket, Brake Anti Rotation	1
40	761-0215	Disc, Brake	1
41	761-3074	Arm, Brake Actuator	1
42	736-0227	Washer, Flat, .39 x 1.5 x .134	2
	759-3958	Sealant, Loctite Black, 5.3 oz. Tube	1
	737-3120	Drive System Fluid Plus - Quart	5.5
	737-3121	Drive System Fluid Plus - Gallon	AR

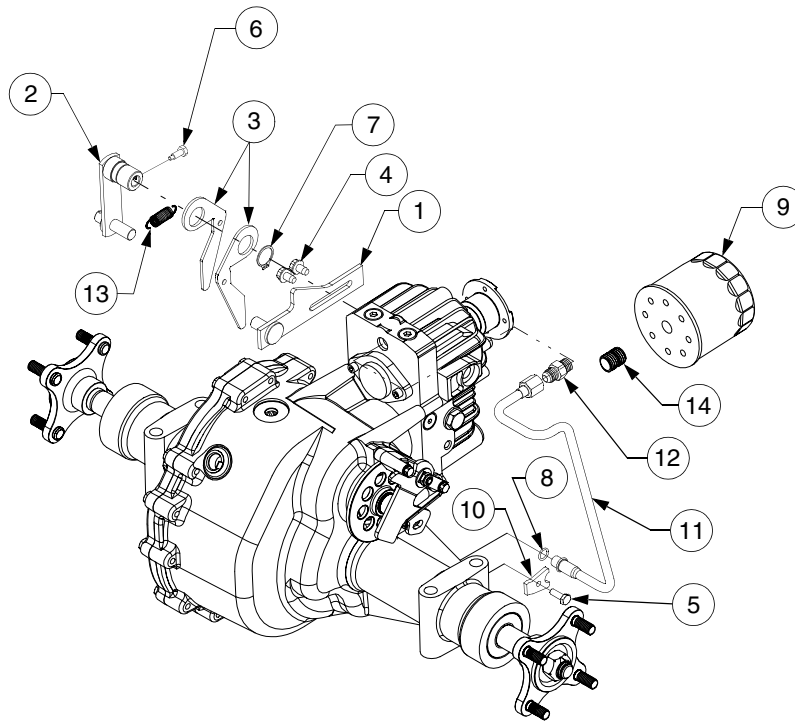
HYDROSTATIC PUMP



HYDROSTATIC PUMP

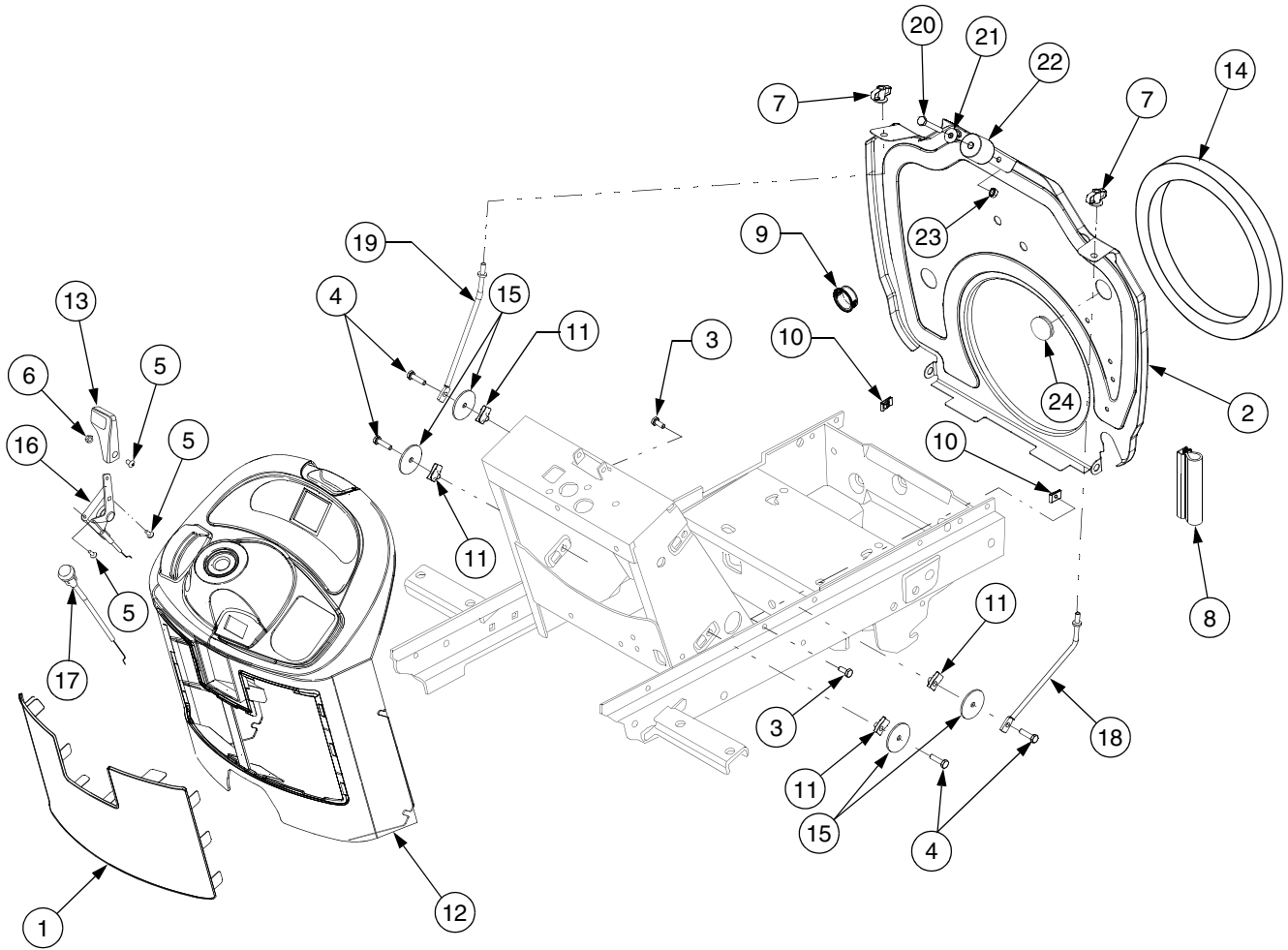
REF. NO.	PART NUMBER	DESCRIPTION	QTY.
1	HG-50158	Shaft, Pump (Splined)	1
2	HG-2003016	Ring, Retaining	2
3	HG-2003043	Bearing, Ball	1
4	HG-2003018	Spacer	1
5	HG-9008000-0128	Seal, Lip	1
6	HG-2003052	Ring, Retaining	1
7	HG-2003023	Bearing, Cradle	2
8	HG-9008000-0126	Seal, Lip	1
9	HG-2003005	Arm, Trunnion	1
10	HG-2000015	Guide, Slot	1
11	HG-2513036	Housing Kit	1
12	HG-2003044	Bearing Assembly, Thrust Ball	2
13	HG-51077	Center Section Kit	1
14	HG-2003034	Shaft, Motor	1
15	HG-2003017	Washer, Block Thrust	2
16	HG-2003087	Swash Plate	1
17	HG-70079	Block Assembly	2
18	HG-9004800-2506	Pin	2
19	HG-2003060	Gasket, Center Section	1
20	HG-2510027	Kit, Check Valve	1
21	HG-2510034	Kit, Orificed Check Valve	1
22	HG-2510011	Kit, Charge Relief Valve	1
23	HG-9007314-0808	Screw, Socket Hd	8
24	HG-2003014	Spring, Block	1
25	HG-9004101-1340	O-Ring	1
26	HG-2513027	Kit, Charge Pump	1
27	HG-J1041008	Gerotor Assy	1
28	HG-50095	Screw, Socket Hd	2
29	HG-2513011	Bypass Valve Kit	1
30	HG-9004201-3700	O-Ring	3
31	HG-9005110-5600	Plug w/O-Ring	2

NEUTRAL LINKAGE, HYDRAULIC PICKUP AND RETURN TUBES



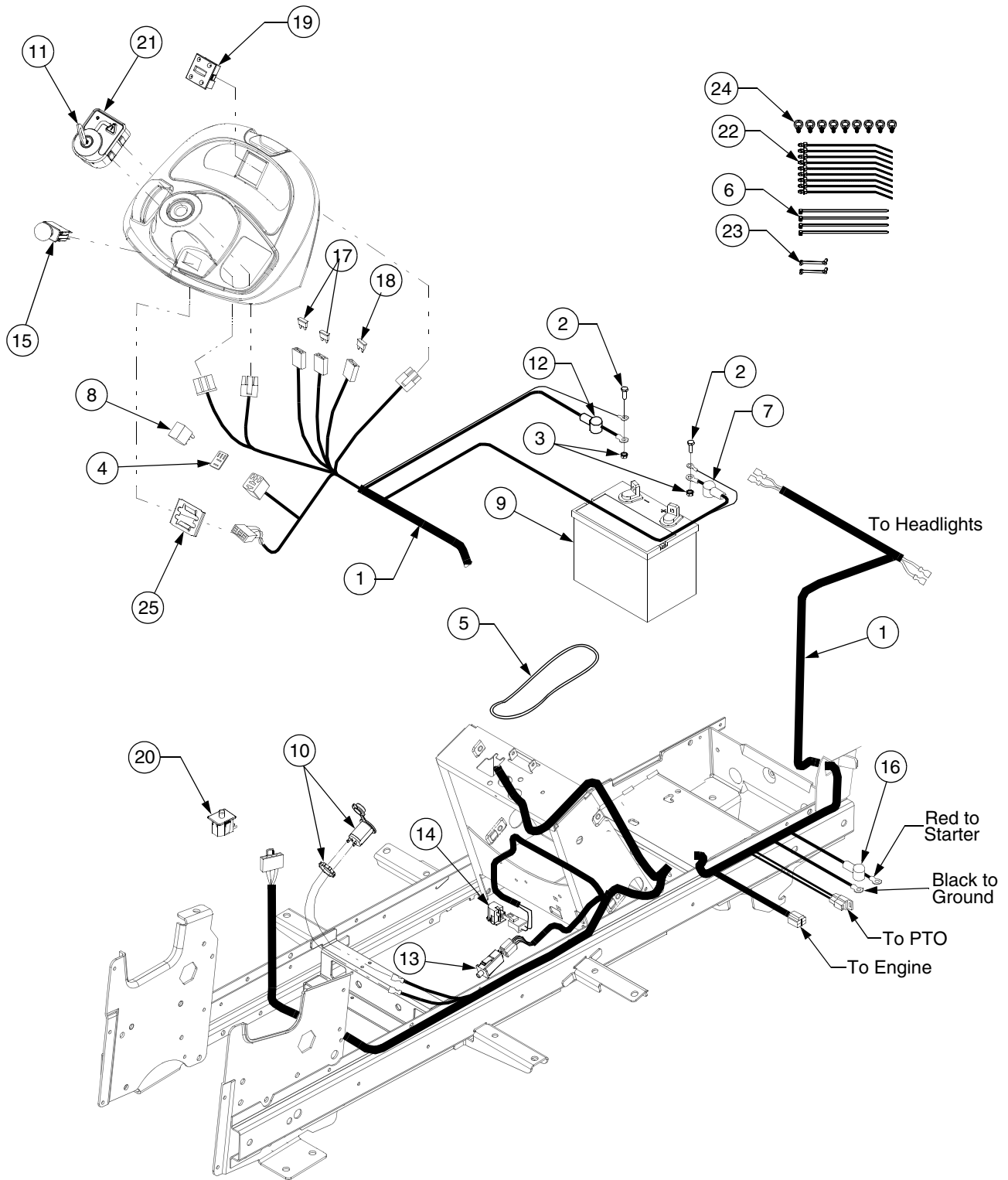
REF. NO.	PART NUMBER	DESCRIPTION	QTY.
1	603-0732	Bracket, Neutral Return	1
2	603-0737	Arm Assembly, Control	1
3	703-2441	Arm, Neutral	2
4	710-0607	Screw, Hex Wash Hd Tapp, 5/16-18 x .50	2
5	710-3015	Screw, Hex Cap, 1/4-20 x .75 GR5	1
6	710-04171	Screw, Special Hex Cap, 5/16-24 x .625	1
7	716-0111	Ring, Snap, .875 Shaft	1
8	721-0459	O-Ring, .426 ID x .566 OD x .07	1
9	723-3014	Filter, Oil	1
10	726-0295	Clamp, Tube, .50	1
11	727-0636	Tube, Hydro Pickup	1
12	727-3002	Fitting, Hydraulic	1
13	732-3119	Spring, Extension	1
14	737-3022	Nipple, Oil Filter	1

BULKHEAD, DASH PANEL AND ENGINE CONTROLS



REF. NO.	PART NUMBER	DESCRIPTION	QTY.	REF. NO.	PART NUMBER	DESCRIPTION	QTY.
1	703-2557	Screen, Intake Dash	1	13	731-3161	Knob, Throttle	1
2	703-3108C	Bulkhead, Lower	1	14	723-3062	Seal Ring, Foam	1
3	710-0751	Screw, Hex Cap, 1/4-20 x .625	2	15	736-3128	Washer, Flat, .285 x 1.75 x .10	4
4	710-0597	Screw, Hex Cap, 1/4-20 x 1.0	2	16	746-3049	Control, Throttle	1
5	710-3217	Screw, Cross Rec Trus, #8-32 x .38	3	17	746-3050A	Control, Choke	1
6	712-0142	Nut, #8-32	1	18	747-3226	Rod, RH Mounting	1
7	712-0397	Nut, Wing w/Bell Washer 1/4-20	2	19	747-3227	Rod, LH Mounting	1
8	720-3024-36	Seal, Push On Trim	28in	20	710-0136	Screw, Hex Cap, 1/4-20 x 1.75 GR5	1
9	723-3042	Bushing, Snap, 7/8 ID	1	21	736-0342	Washer, Flat, .283 x .75 x .030	1
10	726-3048	Nut, U-Type Speed, 1/4-20	2	22	731-3232	Roller, Hood Latch	1
11	726-3054	Nut, U-Clip, 1/4-20	4	23	712-0271	Nut, Hex Sems, 1/4-20	1
12	731-05038 777122458	Panel, Dash Graphic, Instrument Panel Inlay	1 1	24	720-3025	Plug, Button	1

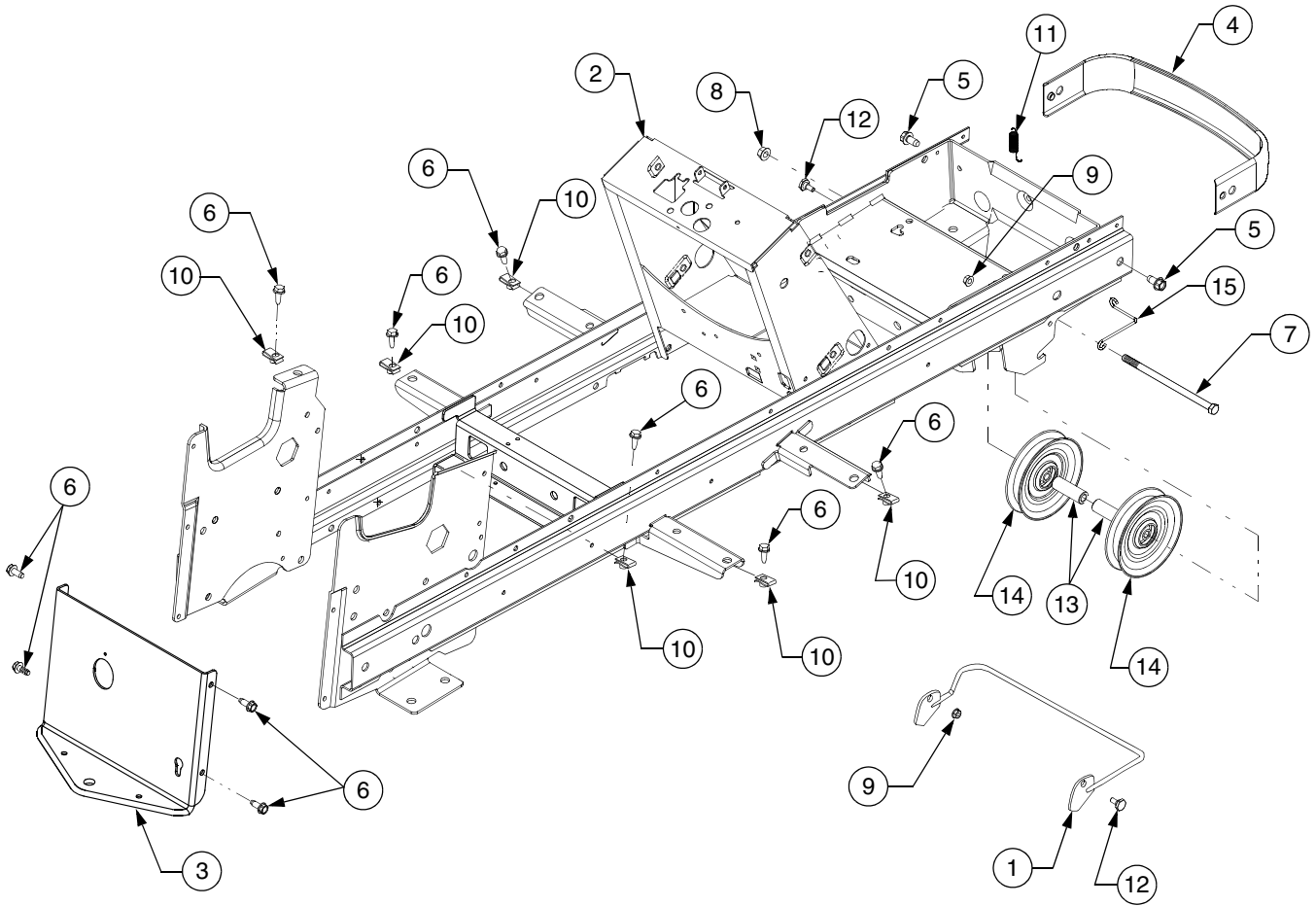
BATTERY, ELECTRICAL COMPONENTS AND SWITCHES



BATTERY, ELECTRICAL COMPONENTS AND SWITCHES

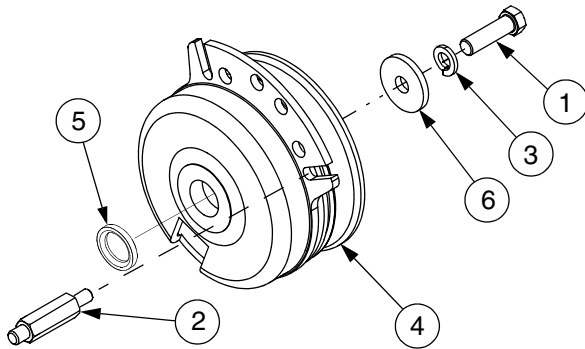
REF. NO.	PART NUMBER	DESCRIPTION	QTY.
1	629-04111	Wire Harness, Main	1
2	710-3015	Screw, Hex, 1/4-20 x .75 GR5	2
3	712-0271	Sems Nut	2
4	721-0342	Gasket, Silicone	1
5	723-04016	Strap, Battery Retainer	1
6	725-0157	Tie, Self-Clinch Cable	4
7	725-0340	Cover, Terminal Black	1
8	725-1648	Relay	1
9	925-1707D	Battery	1
10	725-2003	Receptacle, Power 12V	1
11	725-2054	Key, Ignition	2
12	725-3007A	Cover, Terminal Red	1
13	725-3164A	Switch, Interlock (Brake)	1
14	725-3167	Switch, Snap Mount (Reverse)	1
15	725-3233	Switch, PTO	1
16	725-3237	Cover, Terminal Red	1
17	725-3243	Fuse, 25 Amp	2
18	725-04008	Fuse, 5 Amp	1
19	725-04036A	Meter, Indicator / Hour	1
20	725-04040	Switch, Snap Mount (Seat)	1
21	725-04231	Switch, Key/Module	1
22	726-0154	Tie, Pushmount	9
23	726-0161	Clip, Wire	2
24	726-3055	Clip, Cable	9
25	783-0462	Bracket, PTO Switch Retainer	1

FRAME AND DRAWBAR



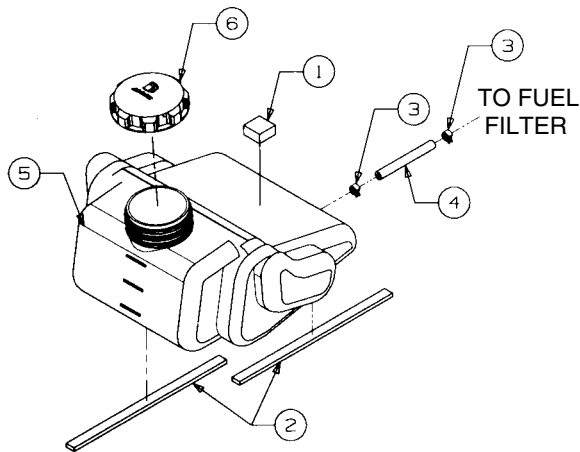
REF. NO.	PART NUMBER	DESCRIPTION	QTY.
1	603-04250	Rod, Quick Attach	1
2	603-04232	Frame	1
3	703-3453	Drawbar	1
	777I20773	Graphic, Transmission Release Lever	1
	777S30265	Graphic, Transmission Oil	1
4	703-05626	Bumper	1
5	710-0623	Screw, Hex Wsh Hd Tapp 3/8-16 x .75	2
6	710-1260A	Screw, Hex Wsh Hd Tap 5/16-18 x .75	10
7	710-3261	Screw, Hex Cap, 3/8-16 x 7.0	1
8	712-0431	Nut, Hex Flange Lock, 3/8-16	1
9	712-3027	Nut, Hex Flange Lock, 1/4-20	2
10	726-0211	U-Nut, 5/16-18	6
11	732-3002	Spring, Latch	1
12	738-0255	Bolt, Shoulder	2
13	750-04198	Spacer, Idler, .411 x .720 x 3.67	2
14	756-3045	Pulley, Idler	2
15	732-0970	Belt Guide	1

PTO CLUTCH



REF. NO.	PART NUMBER	DESCRIPTION	QTY.
1	710-0757	Screw, Hex Cap, 7/16-20 x 1.5 GR5	1
2	711-1083	Stud, Clutch Stop	1
3	736-0171	Washer, Lock, 3/8	1
4	717-04180	Clutch Assy, PTO	1
5	750-3356	Spacer	1
6	736-3082A	Washer, Flat, .445 x 1.5 x 1.72 Hdn	1

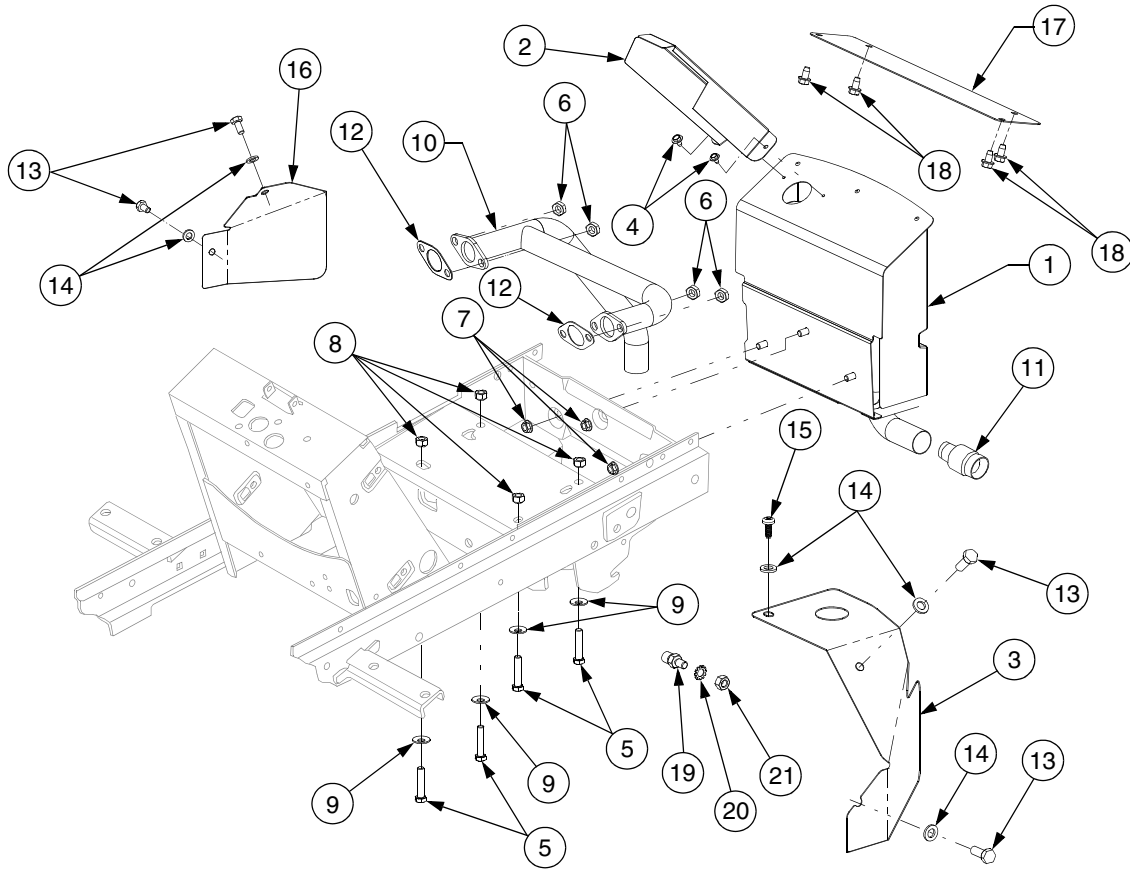
FUEL TANK



REF. NO.	PART NUMBER	DESCRIPTION	QTY.
1	722-3020	Foam, 1.25 Sq x .62 Thk	AR
2	722-3022	Tape, Foam, .625 Wide x .25 Thk	AR
3	726-0205	Clamp, Hose	2
4	759-3330	Line, Fuel, 72" (Shipped In 10ft Length)	1
5	751-3112B	Tank, Fuel	1
6	751-3124B	Cap, Fuel	1
†	723-3066-24	Insulator, Foam Fuel Line	1

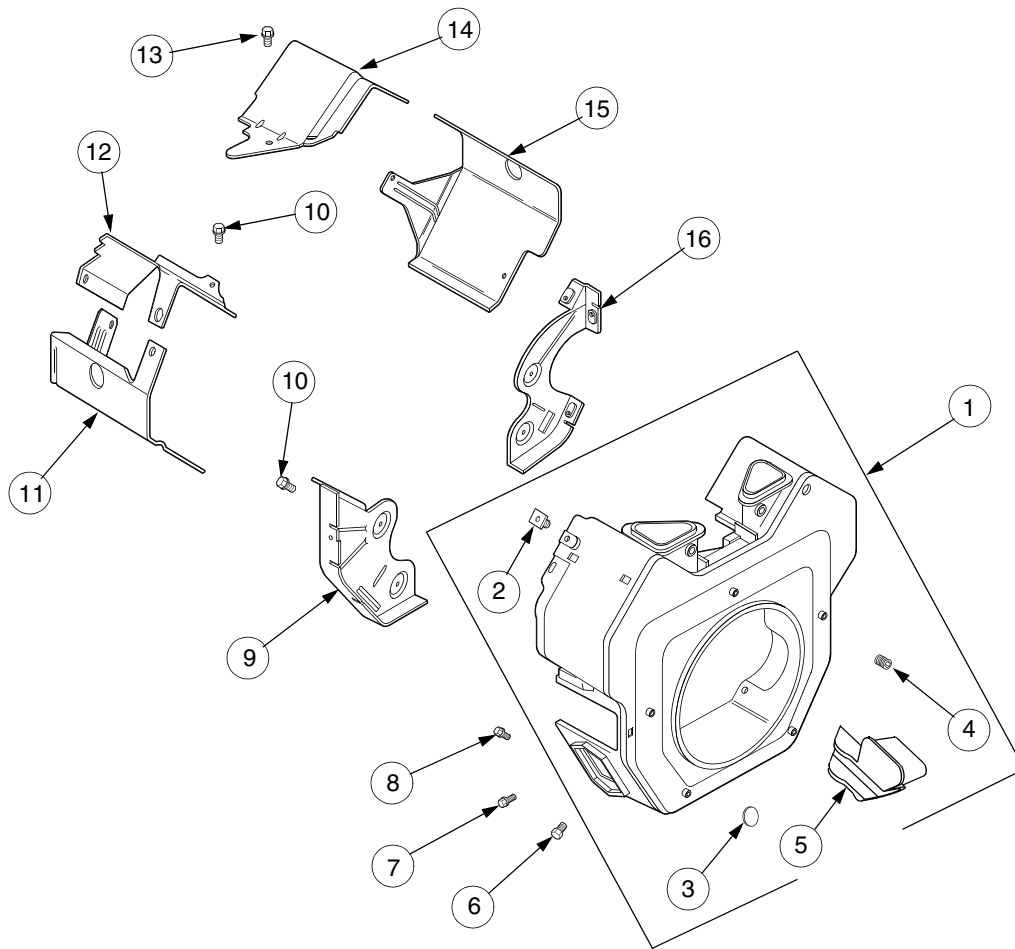
† Not Shown

ENGINE MOUNTING AND MUFFLER



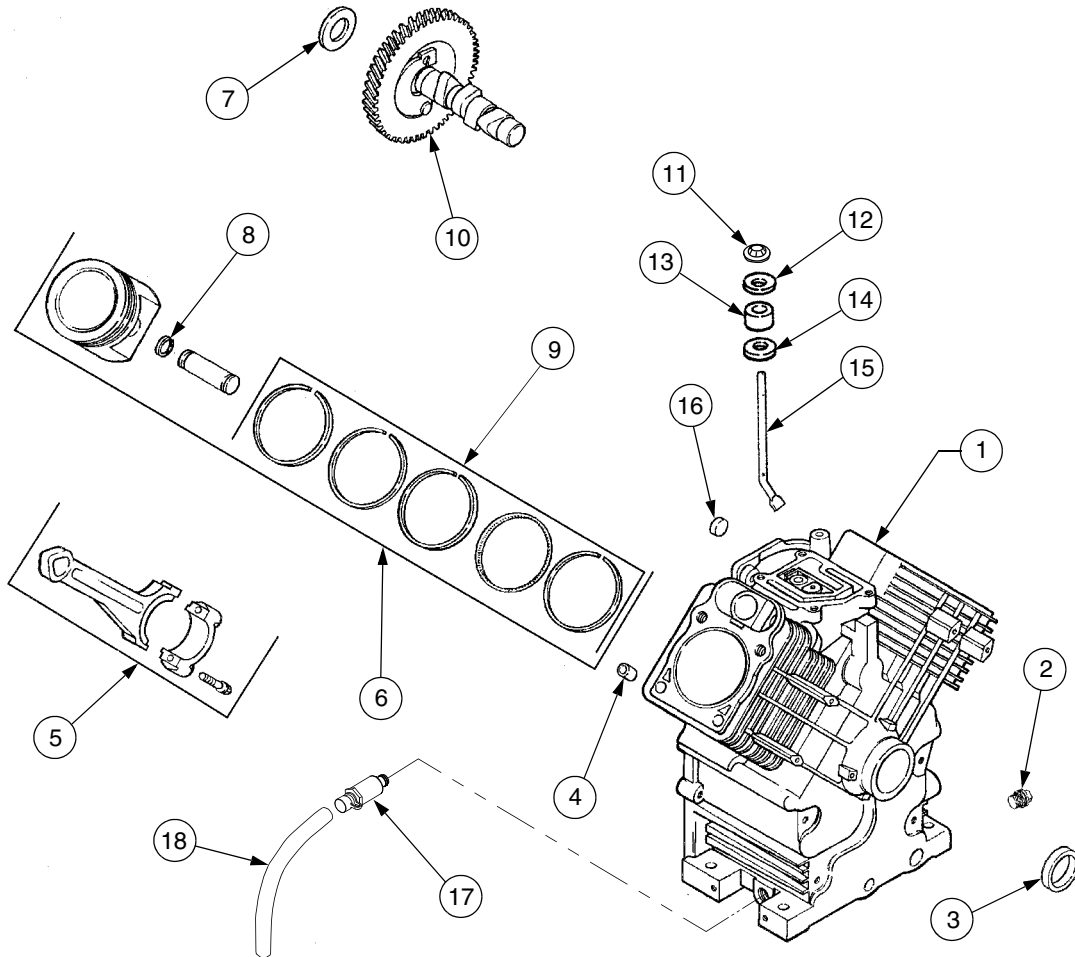
REF. NO.	PART NUMBER	DESCRIPTION	QTY.
1	651-3001	Muffler Assembly	1
2	703-3099A	Shield, Muffler Tube	1
3	703-2632	Baffle, RH Heat	1
4	710-1268	Screw, Hex Wsh Hd Tap, #10-16 x .38	2
5	710-0539	Bolt, Eng Mount, 3/8-24 x 1.75 GR5	4
6	KH-M-0841080	Nut, Hex Flange	4
7	712-3004A	Nut, Hex Flange Lock, 5/16-18	3
8	712-3054	Nut, Hex Lock, 3/8-24	4
9	736-0105	Washer, Bell, .380 x .88 x .062	4
10	751-10026	Tube, Exhaust	1
11	759-3744	Arrestor, Spark	1
12	KH-24-041-02	Gasket, Exhaust	2
13	710-3209	Screw, Hex Cap, M6 x 1 x 10	4
14	736-0142	Washer, Flat, .281 x .5 x .06	5
15	710-0351	Screw, Truss Hd Tapp, #10 x .5	1
16	703-2631	Baffle, LH Heat	1
17	703-05474	Deflector, Heat	1
18	710-0599	Screw, Hex Wsh Hd Tap, 1/4-20 x .5	4
19	711-1094	Stud, Gound	1
20	712-3010	Nut, Hex, 5/16 - 18 GR5	1
21	736-0607	Wash, Ext. Tooth Lock, 5/16	1

BLOWER HOUSING AND BAFFLES



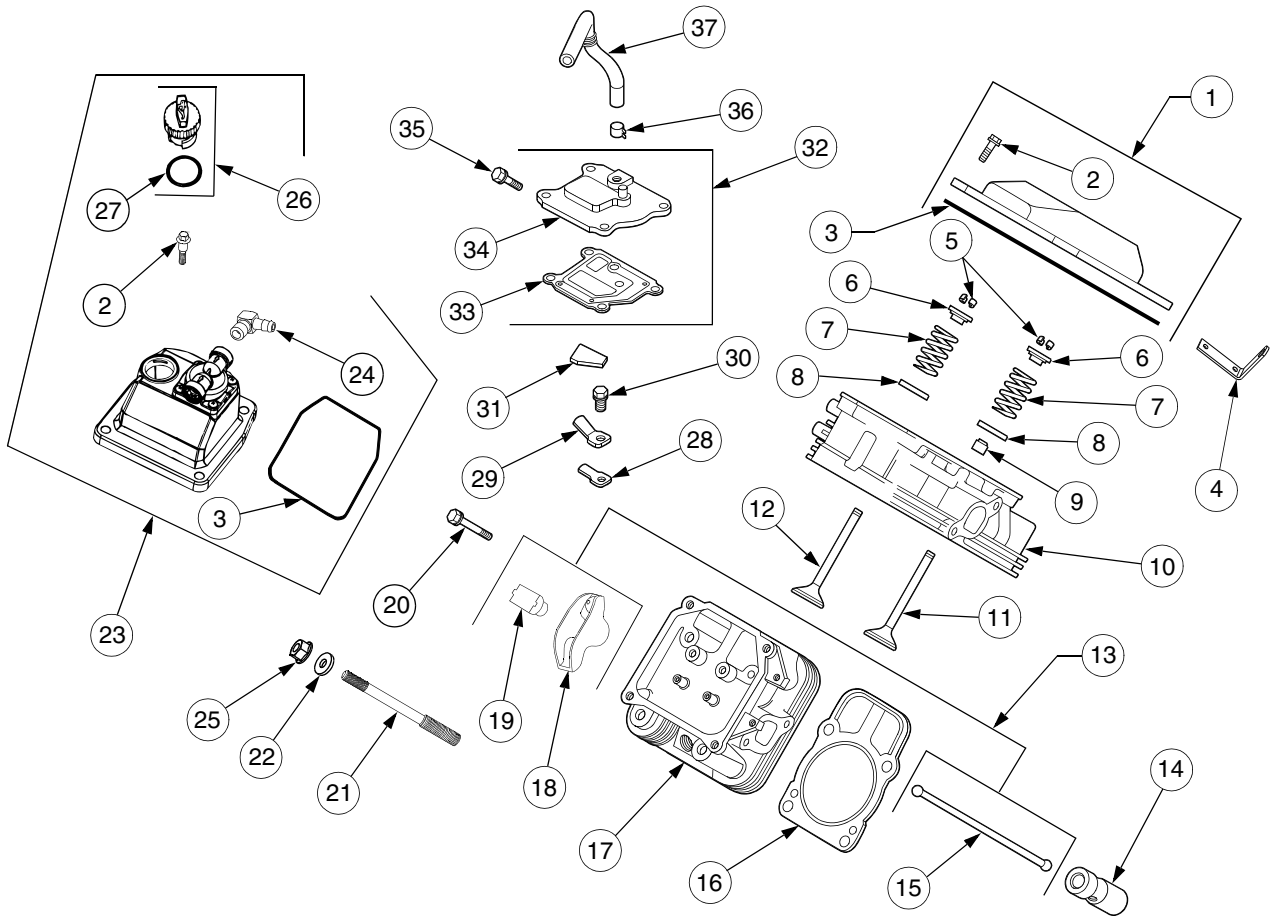
REF. NO.	PART NUMBER	DESCRIPTION	QTY.
1	KH-24-027-195-S	Housing, Blower (Incl. Ref #2-5)	1
2	KH-24-100-01	Nut, Plastic	3
3	KH-25-139-16	Plug, Button	1
4	KH-24-100-02	Nut, Plastic	2
5	KH-24-096-85-S	Cover, Blower Housing	1
6	KH-M-0551016	Screw, Hex Flange, M5 x 0.8 x 16	1
7	KH-M-545016-S	Screw, Hex Flange, M5 x 0.8 x 16	3
8	KH-M-0545020	Screw, Hex Flange, M5 x 0.8 x 20	4
9	KH-24-146-19-S	Plate, Backing - #2 Side	1
10	KH-M-0645016	Screw, Hex Flange, M6 x 1.0 x 16	6
11	KH-24-063-39-S	Baffle, Cylinder Barrel - #2 Side	1
12	KH-24-063-17	Baffle, Valley - #2 Side	1
13	KH-M-0545010	Screw, Hex Flange, M5 x 0.8 x 10	2
14	KH-24-063-59-S	Baffle, Valley - #1 Side	1
15	KH-24-063-58-S	Baffle, Cylinder Barrel - #1 Side	1
16	KH-24-146-20-S	Plate, Backing - #1 Side	1

CRANKCASE



REF. NO.	PART NUMBER	DESCRIPTION	QTY.	REF. NO.	PART NUMBER	DESCRIPTION	QTY.
	KH-76586	Complete Engine	1	8	KH-24-018-01	Retainer, Piston Pin	4
	KH-24-522-251	Short Block	1	9	KH-24-108-08-S	Ring Set, Std., .08	2
1	KH-24-782-27	Crankcase, (Use Miniblock)	1		KH-24-108-09-S	Ring Set, .010 / .25mm	2
2	KH-25-139-57-S	Plug, Hex Hd, 3/8	1		KH-24-108-10-S	Ring Set, .020 / .50mm	2
3	KH-24-032-01	Seal, Front Oil	1	10	KH-24-012-10-S	Camshaft Assembly	1
4	KH-24-380-13-S	Pin, Locating Dowel	6	11	KH-24-018-09	Ring, Retainer	1
5	KH-24-067-13	Rod, Connecting, Std	2	12	KH-M-931010	Washer, Nylon	1
	KH-24-067-14	Rod, Connection, .010 / .25mm	2	13	KH-28-032-09	Seal, Governor Cross Shaft	1
6	KH-24-874-09-S	Piston w/Ring Set, Std	2	14	KH-24-468-15	Washer, Plain	1
	KH-24-874-10-S	Piston w/Ring Set, .010 / .25mm	2	15	KH-24-144-38	Shaft, Governor Cross	1
	KH-24-874-11-S	Piston w/Ring Set, .020 / .50mm	2	16	KH-52-139-09	Plug, Cup	1
	KH-24-874-15-S	Piston w/Ring Set, .08mm	2	17	751-3140	Drain, Oil	1
7	KH-12-422-09	Shim, Camshaft, .0320 (Red)	AR		751-3142	Cap	1
	KH-12-422-13	Shim, Camshaft, .0400 (Black)	AR	18	751-3141-12	Hose, Oil Drain	1
	KH-12-422-07	Shim, Camshaft, .0280 (White)	AR		KH-24-755-108-S	Gasket Set	1
	KH-12-422-08	Shim, Camshaft, .0300 (Blue)	AR				
	KH-12-422-10	Shim, Camshaft, .0340 (Yellow)	1				
	KH-12-422-11	Shim, Camshaft, .0360 (Green)	AR				
	KH-12-422-12	Shim, Camshaft, .0380 (Gray)	AR				

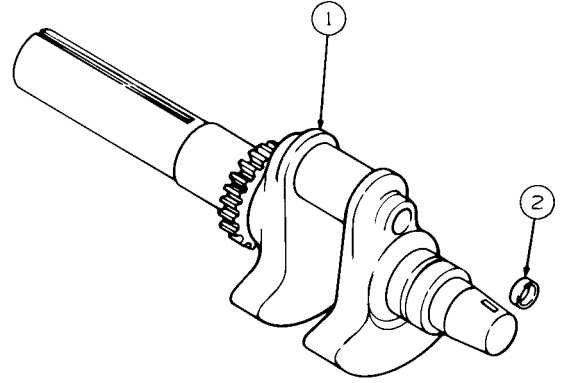
CYLINDER HEAD, VALVES AND BREATHER



REF. NO.	PART NUMBER	DESCRIPTION	QTY.	REF. NO.	PART NUMBER	DESCRIPTION	QTY.
1	KH-24-755-141-S	Kit, Valve Cover (Includes 2-3)	1	19	KH-24-599-01	Pivot, Rocker Arm	4
2	KH-0651030	Screw, Hx. Flng, M6 x 1.0 x 30	8	20	KH-66-086-07-S	Screw, Hex Flng, M6 x 1.0 x 34	4
3	KH-24-153-28-S	O-Ring, Valve Cover	2	21	KH-24-072-09-S	Stud, Cylinder Head	8
4	KH-24-445-01	Strap, Lifting	1	22	KH-24-486-16-S	Washer, Flat	8
5	KH-12-755-03	Kit, Retainer	4	23	KH-24-559-08-S	Cover Kit, Fuel Pump Valve (Includes 2,3, 24,26,27)	1
6	KH-12-173-01	Cap, Valve Spring	4	24	KH-25-294-11-S	Connector, 90°	2
7	KH-24-089-02	Spring, Valve	4	25	KH-24-100-10-S	Nut, Hex Flange, M8 x 1.25	8
8	KH-235011	Retainer, Spring	4	26	KH-24-227-02	Cap Assembly, Oil Fill (Incl. 27)	1
9	KH-66-032-05	Seal, Valve Stem	2	27	KH-24-153-09	O-Ring	1
10	KH-24-318-68	Kit, Cylinder Head #1 (Incl. #21)	1	28	KH-24-402-03	Reed, Breather	1
11	KH-24-017-01	Valve, Intake Std	2	29	KH-66-018-04-S	Retainer, Breather Reed	1
	KH-24-017-02	Valve, Intake, .25mm	2	30	KH-M-0545010	Screw, Hex Flng, M5 x 0.8 x 10	1
12	KH-24-016-01	Valve, Exhaust Std	2	31	KH-24-050-01	Filter, Breather	1
	KH-24-016-02	Valve, Exhaust, .25mm	2	32	KH-24-033-01	Kit, Breather (Includes 33-35)	1
13	KH-24-755-66	Kit, Valve Train (Incl. 15,18,19)	1	33	KH-24-041-51	Gasket, Breather	1
14	KH-25-351-01	Lifter, Valve	4	34	KH-24-096-86-S	Cover, Breather	1
15	KH-24-411-05	Rod, Push	4	35	KH-M-0645020	Screw, Hex Flng M6 x 1.0 x 20	4
16	KH-24-841-02-S	Kit, Cylinder Head Gasket (Includes 21, 22, 25)	2	36	KH-25-237-14-S	Clamp, Breather	1
17	KH-24-318-71	Kit, Cylinder Head #2 (Incl. #21)	1	37	KH-24-326-26	Hose, Breather	1
18	KH-25-186-01	Arm, Rocker	4	†	KH-25-141-06-S	Ring, Snap (Fuel pump fittings)	1

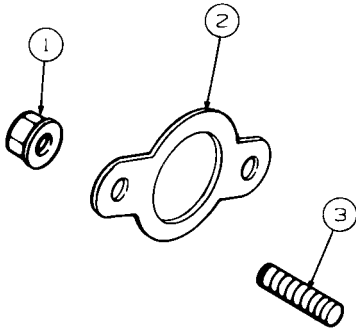
† Not Shown

CRANKSHAFT



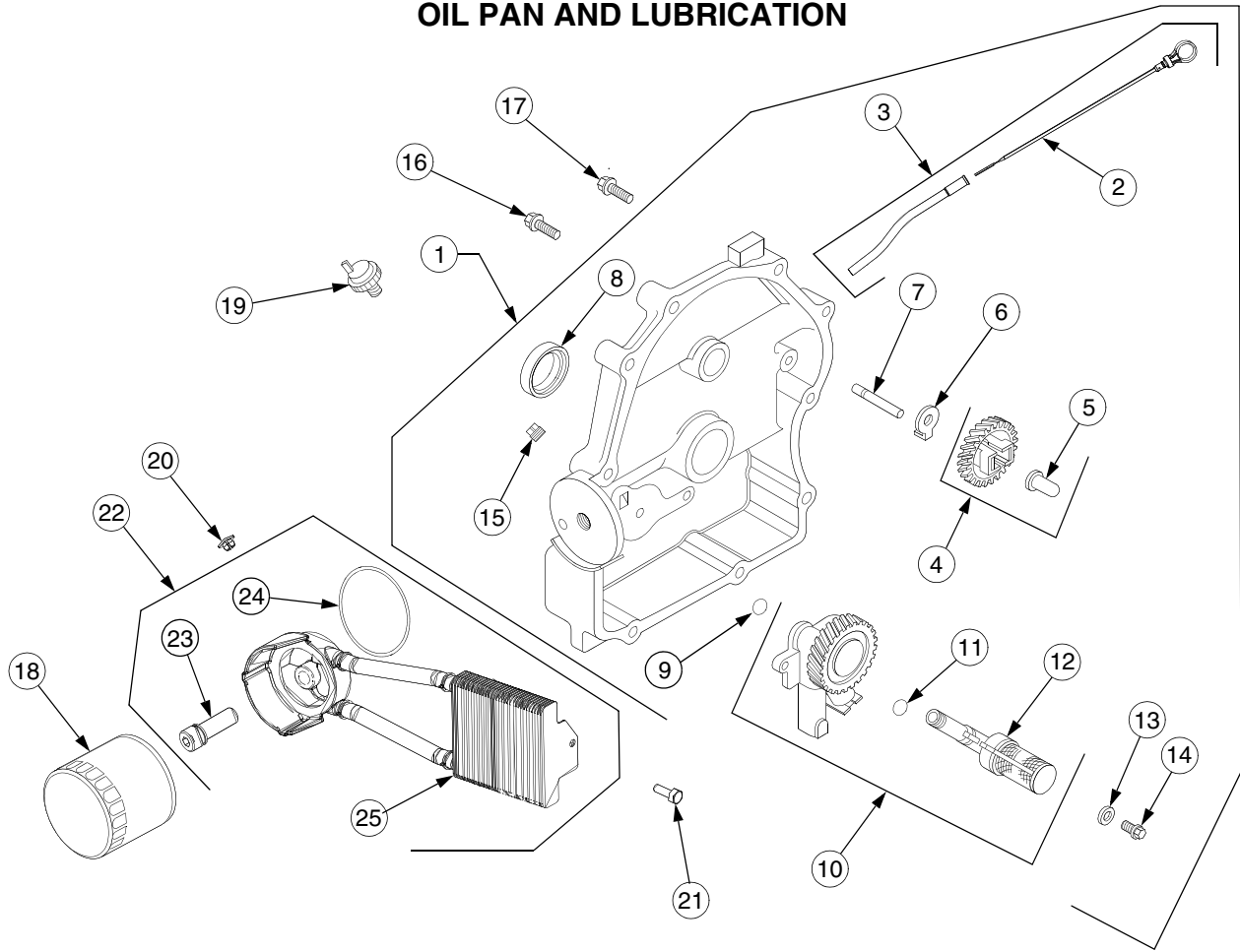
REF. NO.	PART NUMBER	DESCRIPTION	QTY.
1	KH-24-014-06	Crankshaft (Incl. Ref #2)	1
2	KH-52-139-09	Plug, Cup	1

EXHAUST



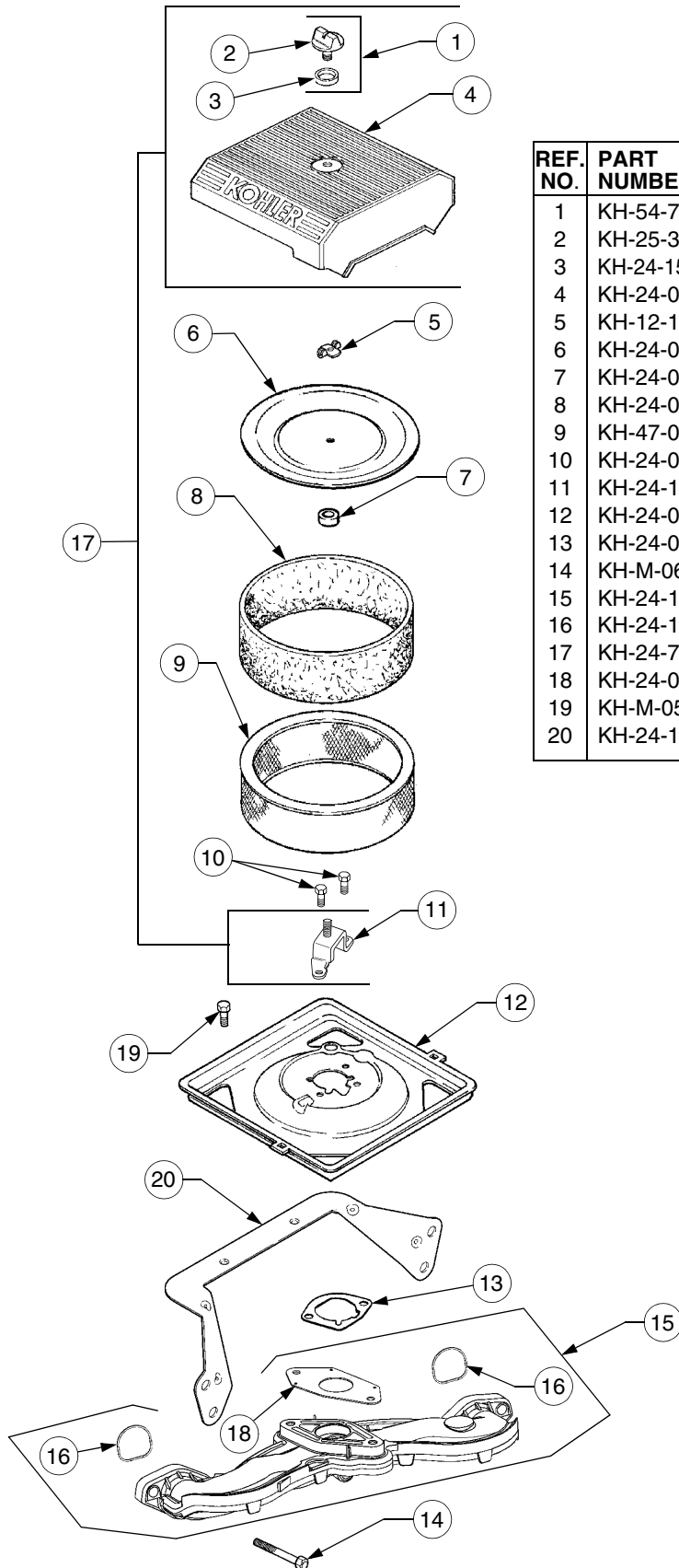
REF. NO.	PART NUMBER	DESCRIPTION	QTY.
1	712-3086	Nut, Muffler Mounting, M8 x 1.25	4
2	721-0377	Gasket, Exhaust	2
3	KH-25-072-04	Stud, Exhaust, M8 x 1.25 x 33	4

OIL PAN AND LUBRICATION



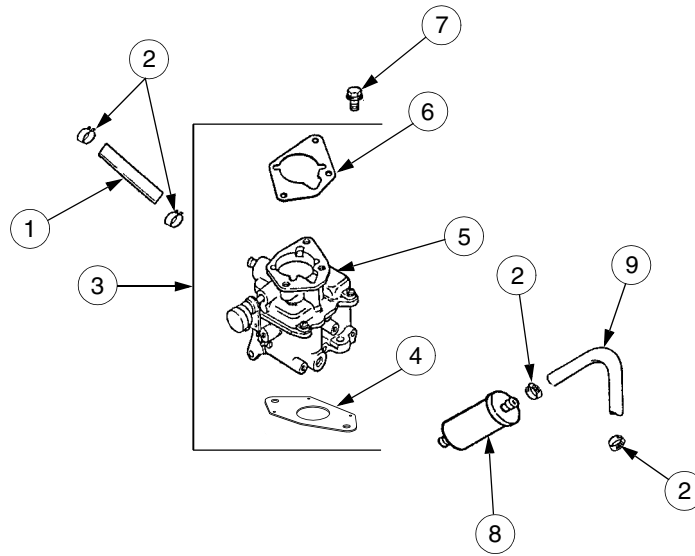
REF. NO.	PART NUMBER	DESCRIPTION	QTY.
1	KH-24-009-83-S	Plate Assy, Closure (Incl. Ref #2-15)	1
2	KH-24-038-10-S	Dipstick	1
3	KH-24-755-121-S	Tube, Dipstick (Includes 2)	1
4	KH-24-043-12	Kit, Governor Gear (Incl. Ref #5)	1
5	KH-12-380-01	Pin, Governor Regulating	1
6	KH-24-448-02-S	Tab, Locking	1
7	KH-12-144-02	Shaft, Governor Gear	1
8	KH-52-032-08	Seal, Oil (PTO end)	1
9	KH-24-153-08	O-Ring	1
10	KH-24-393-37	Oil Pump Assy (Incl. Ref #11-12)	1
11	KH-24-153-01	O-Ring, Oil Pick-up	1
12	KH-24-381-04	Pick-up, Oil	1
13	KH-M-0631005	Washer, Plain	2
14	KH-M-0645025	Screw, Hex Flange, M6 x 1.0 x 25	2
15	KH-25-139-60-S	Plug, Pipe 1/8	2
16	KH-24-086-16	Screw, Hex Flange, M8 x 1.25 x 45	9
17	KH-24-086-17	Screw, Hex Flange, M8 x 1.25 x 45	1
18	KH-12-050-08	Filter, Oil	1
19	KH-25-099-24	Switch, Pressure	1
20	KH-24-100-01-S	Nut, Plastic	2
21	KH-24-086-12-S	Screw, Hex	2
22	KH-54-755-21-S	Kit, Oil Cooler (Incl. 23-25)	1
23	KH-28-136-01-S	Nipple, Oil Filter	1
24	KH-24-153-21-S	O-Ring	1

AIR INTAKE AND FILTRATION



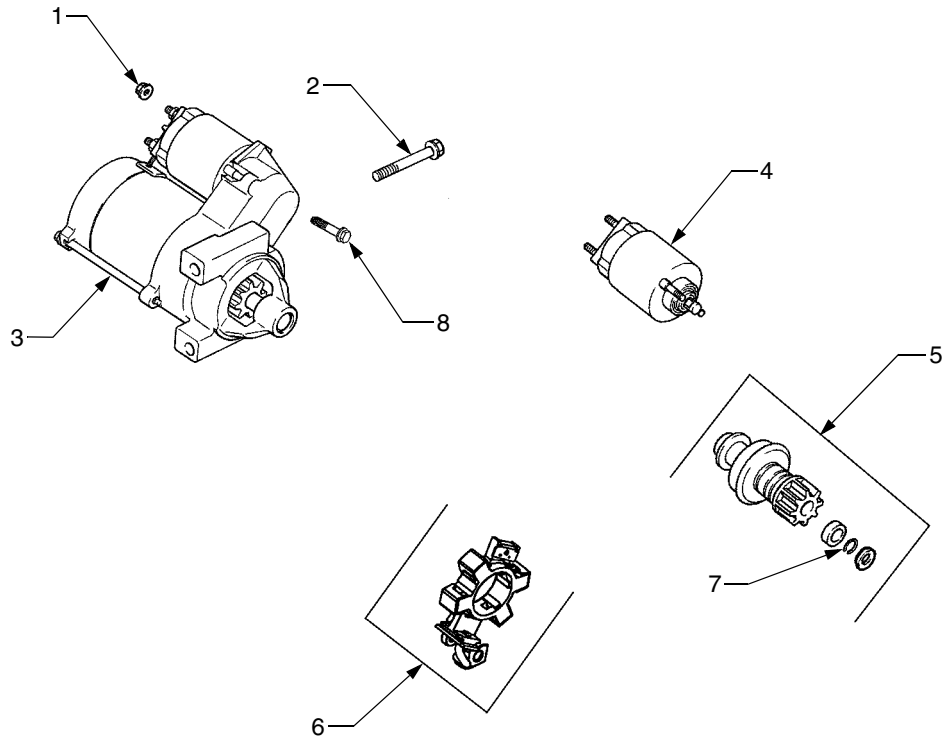
REF. NO.	PART NUMBER	DESCRIPTION	QTY.
1	KH-54-755-01	Kit, Knob w/Seal (Incl. Ref #2,3)	1
2	KH-25-341-03	Knob, Cover	1
3	KH-24-153-20-S	Seal, Air Cleaner Cover Knob	1
4	KH-24-096-69-S	Cover, Air Cleaner	1
5	KH-12-100-01	Wing Nut	1
6	KH-24-096-01	Cover, Inner Air Cleaner	1
7	KH-24-032-03	Seal, Inner Air Cleaner	1
8	KH-24-083-02	Precleaner, Element	1
9	KH-47-083-03	Element, Air Cleaner	1
10	KH-24-086-53-S	Screw, Hex Flange, M6 x 1.0 x16	3
11	KH-24-126-21	Bracket, Air Cleaner Base	1
12	KH-24-094-24-S	Base, Air Cleaner	1
13	KH-24-041-06	Gasket, Air Cleaner Base	1
14	KH-M-0651040-S	Screw, Hex Flange, M6 x 1.0 x 40	4
15	KH-24-164-54-S	Manifold, Intake (Includes 16 & 18)	1
16	KH-24-153-27-S	O-Ring, Intake Manifold	2
17	KH-24-743-08	Kit, Air Cleaner Cover (Incl 1-4, 11)	1
18	KH-24-041-53-S	Gasket, Carburetor	1
19	KH-M-0545010	Screw, Hex Flng, M5 x 0.8 x 10	2
20	KH-24-126-130-S	Bracket, Air Cleaner Base	1

FUEL SYSTEM



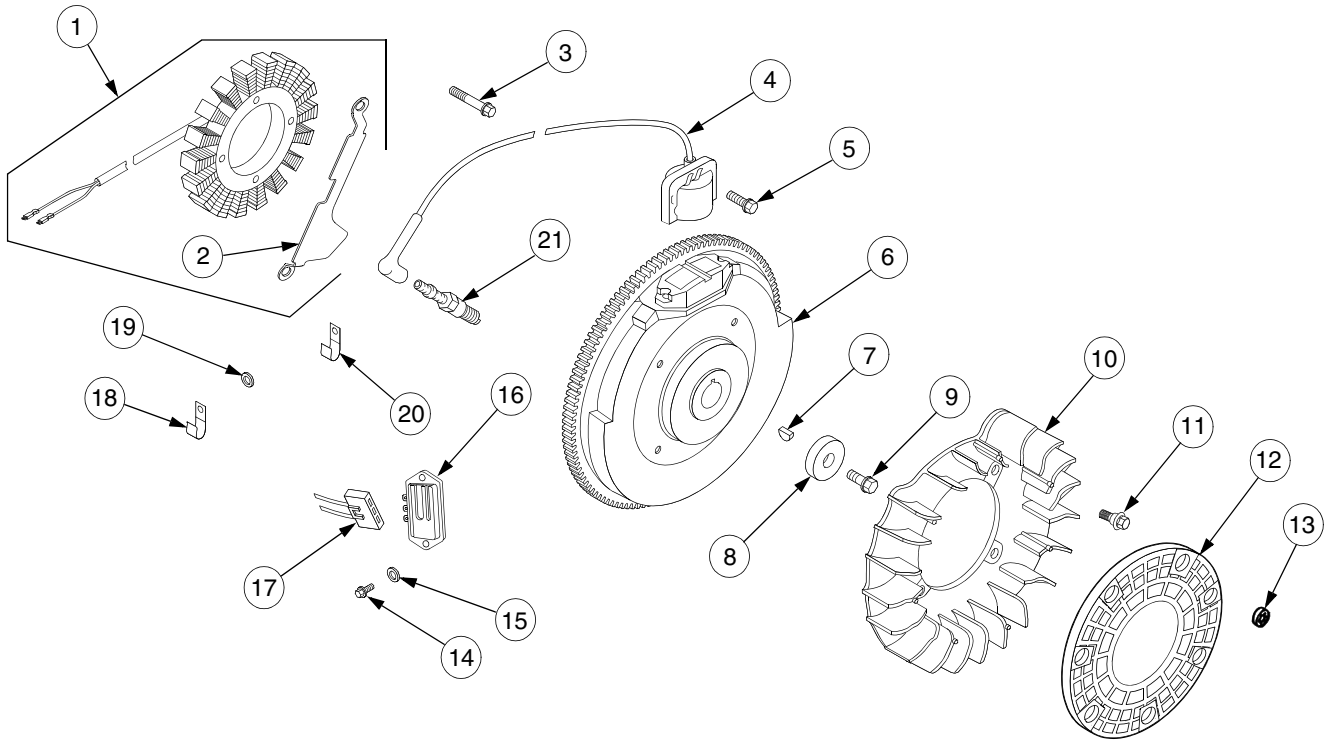
REF. NO.	PART NUMBER	DESCRIPTION	QTY.
1	KH-52-353-20	Line, Fuel 9-1/4"	2
2	KH-25-237-14-S	Clamp, Hose	4
3	KH-24-853-59-S	Kit, Carburetor w/Gasket (Includes 4-6)	1
4	KH-24-041-53-S	Gasket, Carburetor	1
5		Carburetor Assembly Not available separately	1
6	KH-24-041-06	Gasket, Air Cleaner Base	1
7	KH-M-651025-S	Screw, Hex Flange, M6 x 1.0 x 25	2
8	KH-24-050-02	Filter, Fuel	1
9	KH-24-353-12	Line, Fuel 11"	1
		Not Illustrated	
	723-3066-14	Insulator, Foam Fuel Line	1
	KH-24-518-24-S	Lead, Ground	1
	KH-24-757-01	Kit, Solenoid	1
	KH-24-757-02	Kit, Float Repair	1
	KH-24-757-03	Kit, Carburetor Repair	1
	KH-24-757-07	Kit, Choke Repair	1
	KH-24-755-125-S	Kit, High Altitude	1

ELECTRIC START



REF. NO.	PART NUMBER	DESCRIPTION	QTY.
1	KH-M-0841080	Nut, Hex Flange M8 x 1.25"	1
2	KH-M-839080	Screw, Hex Flange M8 x 1.25 x 80	2
3	KH-25-098-09-S	Starter, Solenoid Shift Assembly . (Includes 4-8)	1
4	KH-25-435-05-S	Kit, Solenoid (Includes 8)	1
5	KH-25-755-33-S	Kit, Pinion Drive (Includes 7)	1
6	KH-25-221-01-S	Kit, Brush	1
7	KH-25-141-05-S	Ring, Retainer	1
8	KH-25-086-113-S	Screw, External Torx Hd.	3

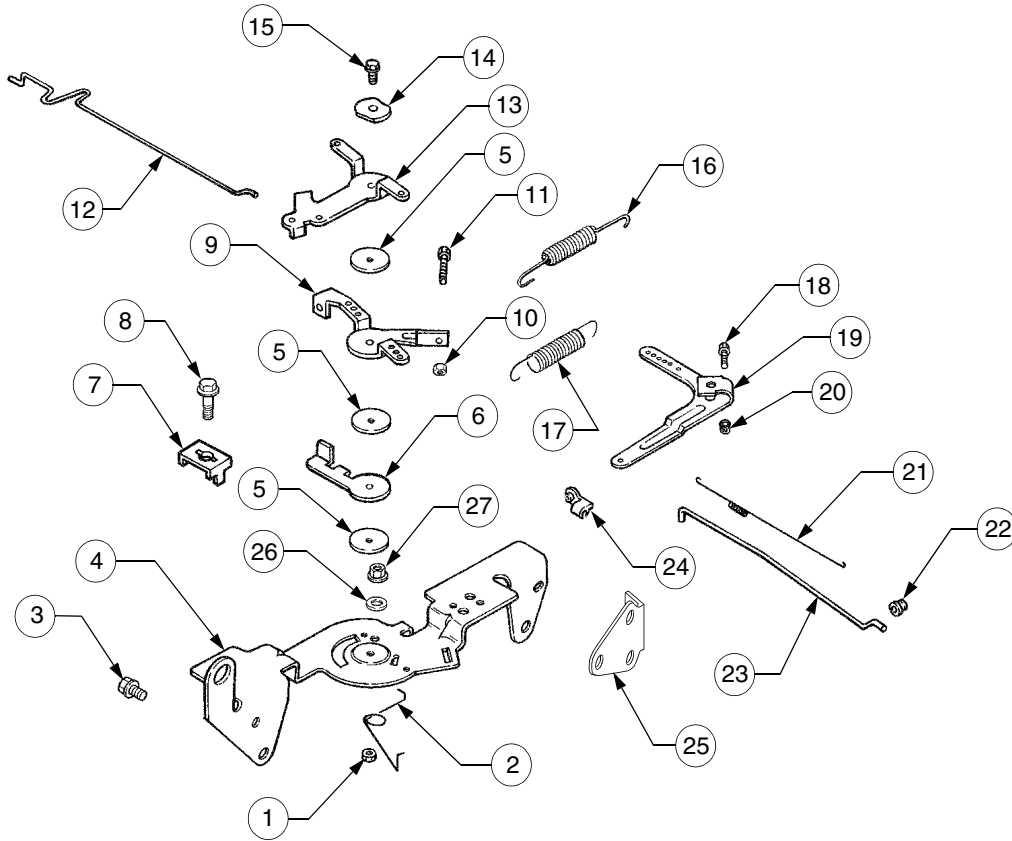
IGNITION, ELECTRICAL AND FLYWHEEL



REF. NO.	PART NUMBER	DESCRIPTION	QTY.
1	KH-54-755-09	Stator Kit, 15 Amp (Incl. Ref #2)	1
2	KH-24-126-139-S	Bracket, Stator Wire	1
3	KH-M-0548025	Screw, Stator Mtg. M5 x .8 x 25	2
4	KH-24-584-01-S	Module, Ignition	2
5	KH-M-545020-S	Screw, Module M5 x .8 x 20	4
6	KH-24-025-04	Flywheel Assembly	1
7	KH-X-42-15	Key	1
8	KH-12-468-03	Washer, Flywheel Mtg. Screw	1
9	KH-12-086-14	Screw, Flywheel Mtg, M10x1.5 x 46	1
10	KH-24-157-01	Fan	1
11	KH-25-086-47	Bolt, Shoulder	4
12	KH-24-162-02	Screen, Grass	1
13	KH-24-018-03	Retainer	3
14	KH-24-086-18	Screw Phillips Hd., #11-16 x .875	2
15	KH-X-25-92	Washer, Plain	3
16	KH-41-403-09	Regulator - Rectifier	1
17	KH-236602	Connector, Regulator-Rectifier	1
18	KH-235173	Clip, Cable	1
19	KH-X-25-63	Washer, Plain 1/4"	1
20	KH-48-154-02	Clip, Cable	1
21	759-3336	Spark Plug	2
†	KH-25-086-91-S	Screw	2
†	KH-24-176-08	Harness, Wire	1
†	KH-25-454-03-S	Tie, Wire	2
†	KH-24-126-137-S	Bracket, Ground Strap	1

† Not Shown

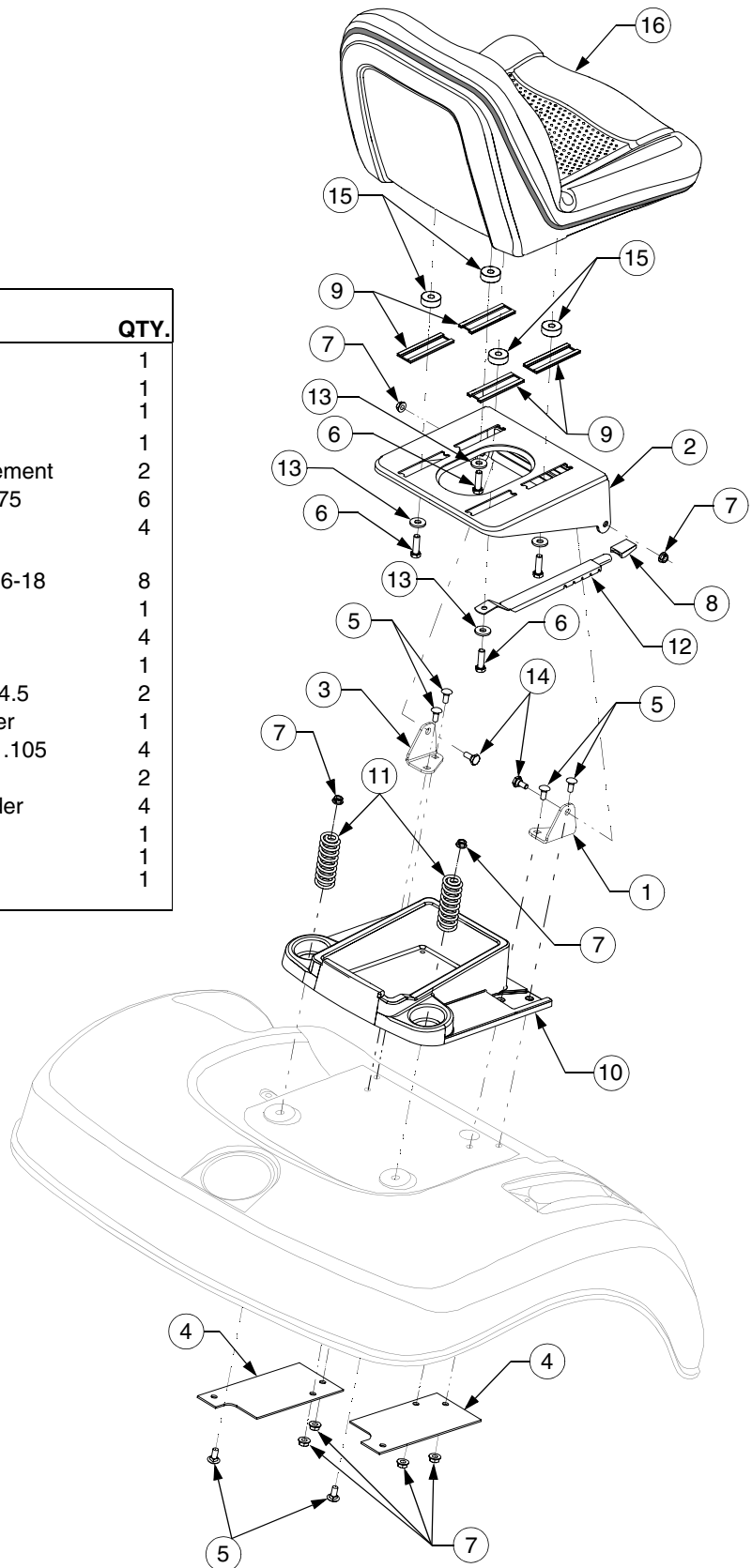
ENGINE CONTROLS



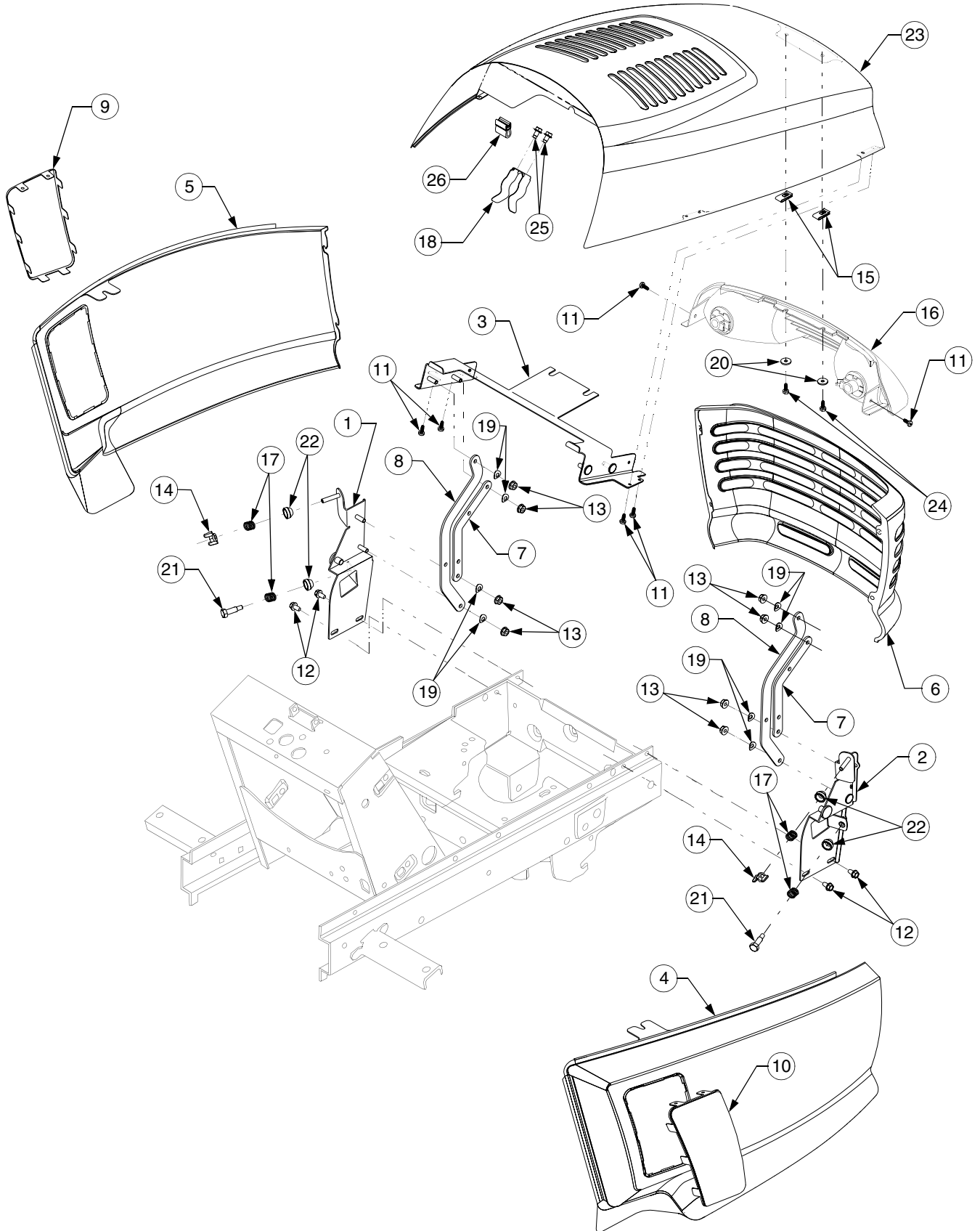
REF. NO.	PART NUMBER	DESCRIPTION	QTY.
1	KH-M-0547050	Nut, Hex Lock M5 x 0.8	1
2	KH-24-089-03	Spring, Choke Return	1
3	KH-M-645016-S	Screw, Hex Flange M6 x 1.0 x 16	4
4	KH-24-126-56	Bracket, Control	1
5	KH-24-468-01	Washer , Plain 5.5mm	3
6	KH-24-090-07	Lever, Throttle Actuator	1
7	KH-12-237-01	Clamp, Cable	2
8	KH-M-545016-S	Screw, Hex Flange M5 x 0.8 x 16	3
9	KH-24-090-13	Lever, Throttle Control	1
10	KH-M-446030-S	Nut, Hex M4 x 0.7	1
11	KH-M-401030-S	Screw, Hex Cap M4 x 0.7 x30	1
12	KH-24-079-21-S	Linkage, Choke	1
13	KH-24-090-05	Lever, Choke	1
14	KH-41-468-03	Washer, Spring 1/4"	1
15	KH-M-0545020	Screw, Hex Flange M5 x 0.8 x 20	1
16	KH-24-089-51	Spring, Throttle Limiter	1
17	KH-24-089-44-S	Spring, Governor	1
18	KH-24-211-03	Screw, Round Hd. Square Neck	1
19	KH-24-090-33	Lever, Governor	1
20	KH-M-0641060	Nut, Hex Flange M6 x 1.0	1
21	KH-24-089-01	Spring, Linkage	1
22	KH-25-158-08	Bushing, Linkage Retaining	1
23	KH-24-079-01	Linkage, Throttle	1
24	KH-25-158-11	Bushing, Linkage Retaining	1
25	KH-24-126-04	Bracket, Support	2
26	KH-X-20-1-S	Washer	1
27	KH-M-541050-S	Nut, Hex	1

SEAT AND SUPPORT

REF. NO.	PART NUMBER	DESCRIPTION	QTY.
1	703-05576	Bracket, RH Seat Pivot	1
2	703-2395B 777120310	Seat, Base Graphic, Seat Adjuster	1
3	703-05555	Bracket, LH Seat Pivot	1
4	703-2628	Bracket, Fender Reinforcement	2
5	710-0451	Bolt, Carriage, 5/16-18 x .75	6
6	710-3120	Screw, Hx Cap Lock, 3/8-16 x 1.5 GR5	4
7	712-04054	Nut, Hex Flange Lock, 5/16-18	8
8	720-0426	Knob, Seat Adjuster	1
9	731-3154	Slide, Seat	4
10	731-3162	Tray, Tool	1
11	732-04251	Spring, Comp, 1.28 OD x 4.5	2
12	732-04100	Index Spring, Seat Adjuster	1
13	736-3052	Washer, Flat, .406 x 1.0 x .105	4
14	738-0140	Bolt, Shoulder	2
15	738-04013A	Spacer, Seat Slide Shoulder	4
16	757-04030 777D06883 777D01782	Seat, High Back Graphic, Seat Back Graphic, Made in USA	1 1 1



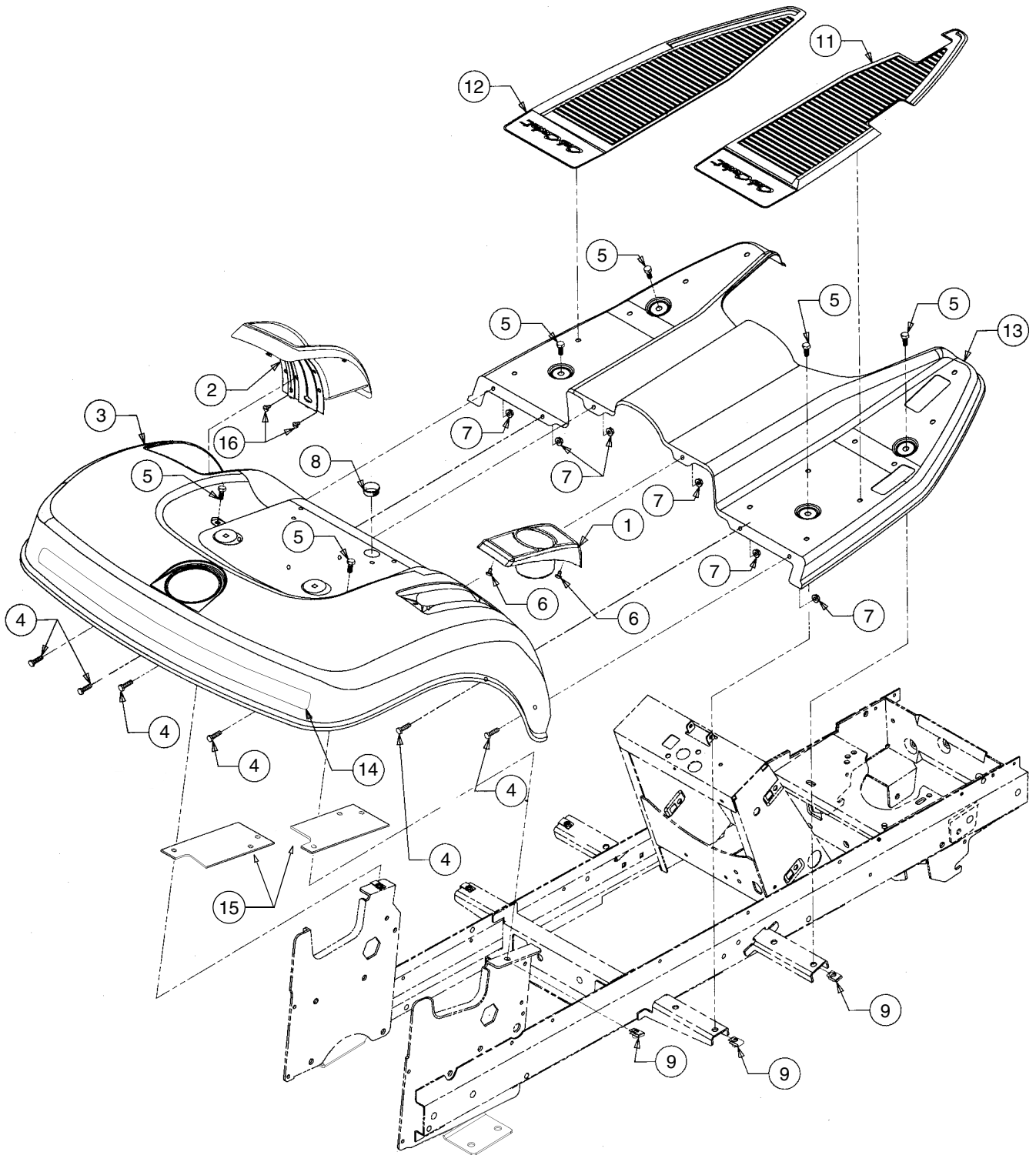
GRILLE, HOOD AND SIDE PANELS



GRILLE, HOOD AND SIDE PANELS

REF. NO.	PART NUMBER	DESCRIPTION	QTY.
1	603-0211	Bracket, Grille LH	1
2	603-0212	Bracket, Grille RH	1
3	603-04191	Bracket, Upper Hood	1
4	703-2396	Panel, RH Side	1
	777D08641	Graphic, GT 2554	1
	777X40079	Strip, Protective	1
5	703-2397	Panel, LH Side	1
	777D08641	Graphic, GT 2554	1
	777X40079	Strip, Protective	1
6	703-2398	Grille	1
	777I20314	Graphic, Warning HOT	1
7	703-2465	Link, Short Hood	2
8	703-2466A	Link, Long Hood	2
9	703-2495	Screen, LH Panel	1
10	703-2496	Screen, RH Panel	1
11	710-0351	Screw, Truss Mach Tapp, #10 x .50	6
12	710-0599	Screw, Hex Wash Hd Tapp, 1/4 x .50	4
13	712-3027	Nut, Hex Flange Lock, 1/4-20	8
14	712-0397	Nut, Wing, 1/4-20	2
15	726-0139	Nut, U-Type Speed, #10	2
16	625-04001A	Headlight Assy (Includes Lamp and Socket)	1
	725-0963	Lamp, 12V	2
	725-1649	Socket, Lamp	2
	777X41348	Reflector, Headlight	1
17	732-0334	Spring, Compression, .50 OD x .50	4
18	732-1178	Spring, Hood Latch	1
19	736-0175	Washer, Spring, .265 x .562 x .025	8
20	736-0400	Washer, Flat, .218 x .62 x .063	2
21	738-3141	Bolt, Shoulder, .31 Dia x .75 Lg	2
22	748-3055	Bushing, Tapered	4
23	959-3747B	Hood, Series 2000	1
	777D08229	Graphic, Hood - RH	1
	777D08230	Graphic, Hood - LH	1
24	710-0436	Screw, Hex Tapp, 10-16 x .625	2
25	710-1005	Screw, Hex Wash Hd Tapp, 1/4-14 x .5	2
26	723-3061-19	Seal, Heat Baffle	34in

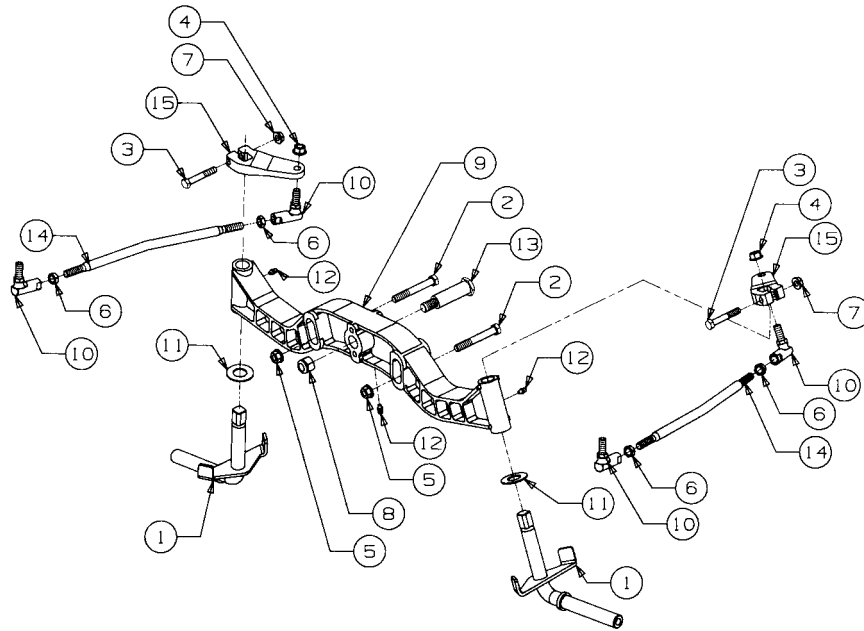
FENDER AND RUNNING BOARD



FENDER AND RUNNING BOARD

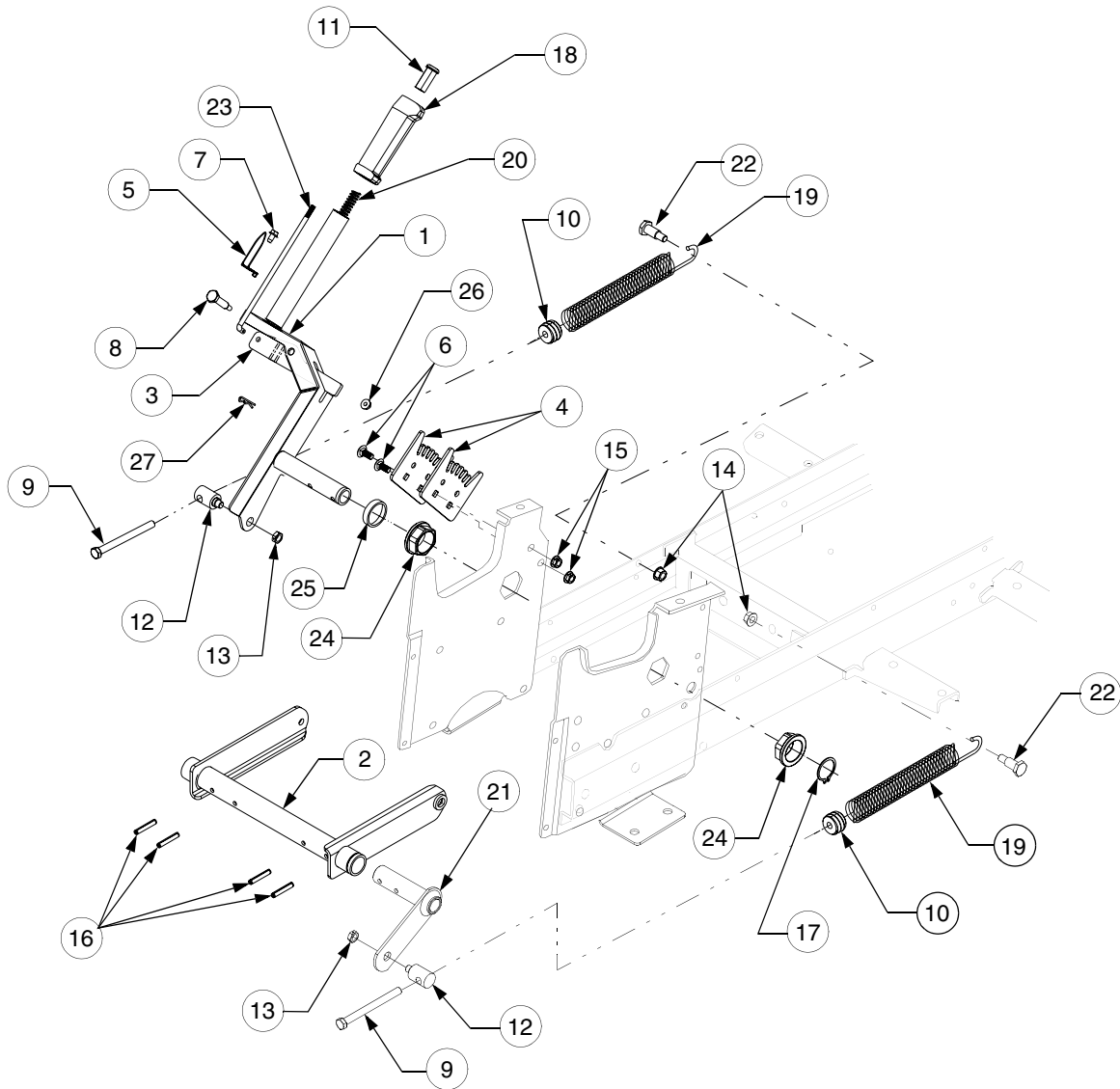
REF. NO.	PART NUMBER	DESCRIPTION	QTY.
1	731-3212A	Cup Holder	1
2	631-3002	Cover, Implement Lift	1
3	703-05570	Fender	1
	777D08642	Graphic, LH Reflector	1
	777D08643	Graphic, RH Reflector	1
4	710-0751	Screw, Hex Cap, 1/4-20 x .62 GR5	6
5	710-1260A	Screw, Hex Wash Hd Tapp 5/16-18 x .750	6
6	710-1268	Screw, Hex Tapp, #10 x .38 Lg	2
7	712-3027	Nut, Hex Flange Lock, 1/4-20	6
8	723-3042	Bushing, Snap, 7/8 ID	1
9	726-0211	U-Nut, 5/16-18	6
11	735-3046A	Pad, RH Foot	1
12	735-3047	Pad, LH Foot	1
13	703-2279	Running Board w/Graphic	1
	777S30170	Graphic, Warning	1
	777S32494	Graphic, Danger	1
14	777D08321	Graphic, Rear Fender	1
15	703-2628	Bracket, Fender Reinforcement	2
16	710-0224	Screw, Hex Tapp, #10-16 x .5 Lg.	4

FRONT AXLE AND CONNECTIONS



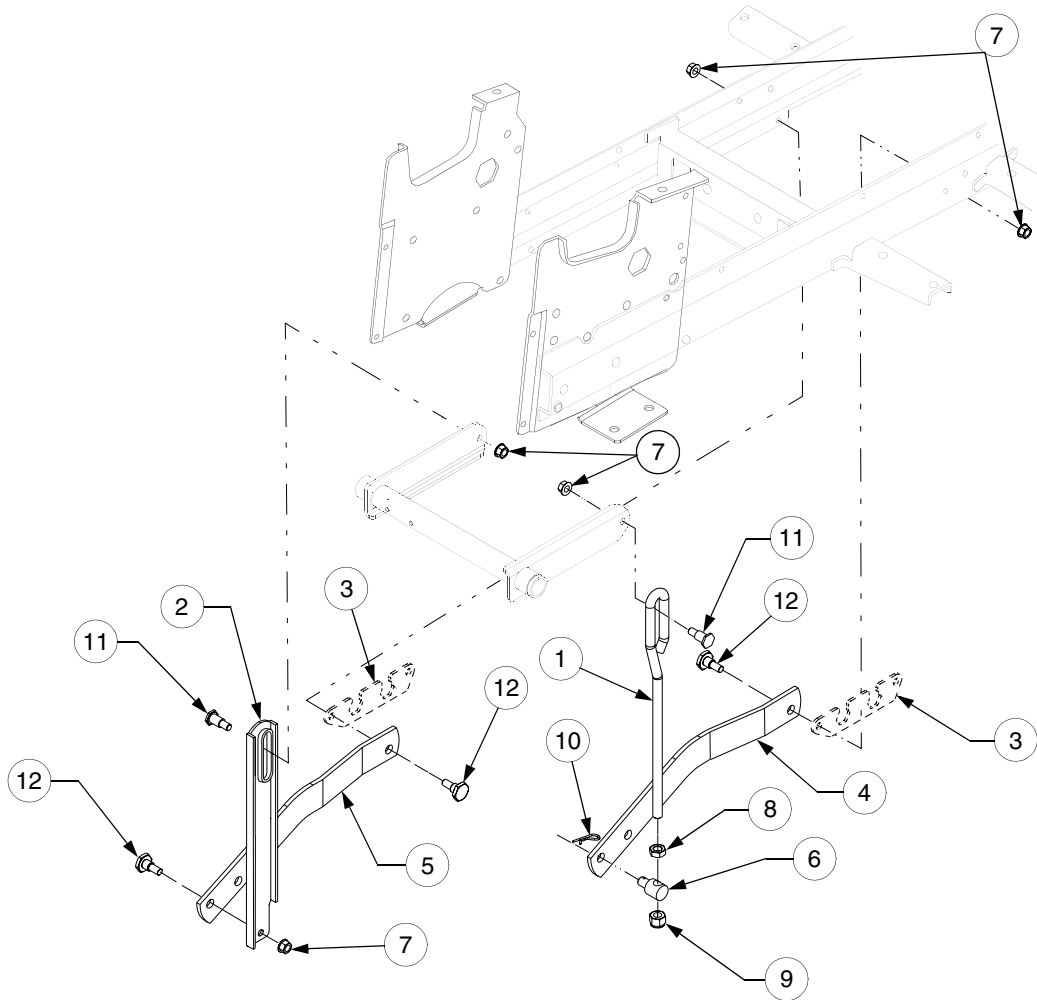
REF. NO.	PART NUMBER	DESCRIPTION	QTY.
1	603-0066	Knuckle Assembly, Steering	2
2	710-3066	Screw, Hex Cap, 3/8-16 x 2.75 GR8	2
3	710-3103	Screw, Hex Cap, 5/16-18 x 2 GR5	2
4	712-3054	Nut, Hex Lock, 3/8-24 GR5	2
5	712-0431	Nut, Hex Flanged Lock, 3/8-16	2
6	712-0711	Nut, Hex Jam, 3/8-24 GR2	4
7	712-3004A	Nut, Hex Flange Top Lock, 5/16-18	2
8	712-3083	Nut, Hex Top Nylon Lock, 1/2-13	1
9	719-3095	Axle, Front Pivot	1
10	723-0156	Joint, Ball, 3/8-24	4
11	736-0188	Washer, Flat, .760 x 1.49 x .06 Thk.	2
12	737-3000	Fitting, Lube, 3/16 Drive Type	3
13	738-3110	Bolt, Pivot Shoulder, 3/4 Dia x 2.23	1
14	747-3171	Rod, Tie	2
15	748-3049	Arm, Steering	2

IMPLEMENT LIFT HANDLE



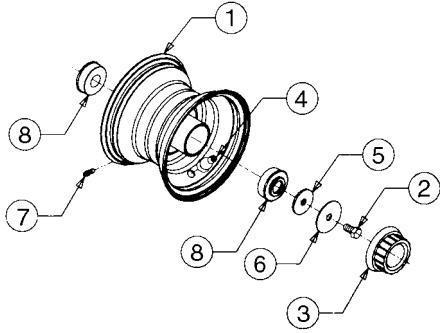
REF. NO.	PART NUMBER	DESCRIPTION	QTY.	REF. NO.	PART NUMBER	DESCRIPTION	QTY.
1	603-04141	Handle Assembly, Lift	1	14	712-0431	Nut, Hex Flanged Lock, 3/8-16	2
2	603-04140	Shaft Assembly, Lift	1	15	712-3004A	Nut, Hex Flanged Top Lock, 5/16-18	2
3	703-05247	Fork, Lift	1	16	715-0114	Pin, Spiral Spring, 1/4 Dia x 1.5	4
4	703-2239A	Bracket, Lift Index	2	17	716-0116	Ring, Snap, 1.25 Dia Shaft	1
5	703-2558	Indicator, Lift Height	1	18	731-3158	Grip, Lift Handle	1
6	710-0451	Bolt, Carriage, 5/16-18 x .75	2	19	732-3093	Spring, Extension	2
7	710-0599	Screw, Hex Wash Tapp, 1/4 x .5	1	20	732-3097	Spring, Compression	1
8	738-0560	Screw, Shoulder, .374 x 1.375	1	21	603-04139	Arm, Lift Assist RH	1
9	710-3279	Screw, Hex Cap, 3/8-16 x 4.25 GR5	2	22	738-0145	Bolt, Shoulder	2
10	711-0635	Insert, Spring	2	23	747-3175A	Rod, Index	1
11	711-0642A	Button, Handle	1	24	748-3051	Bearing, Hex Flange, 1.25 ID	2
12	711-3350	Ferrule, Adjustment	2	25	750-3131	Spacer, 1.28 ID x 1.5 OD x .335 Lg	1
13	712-0262	Nut, Hex Center Lock, Jam, 3/8-24	2	26	712-3027	Nut, Hex Flange Lock, 1/4-20	1
				27	714-0104	Pin, Internal Cotter	1

IMPLEMENT LIFT HANGER



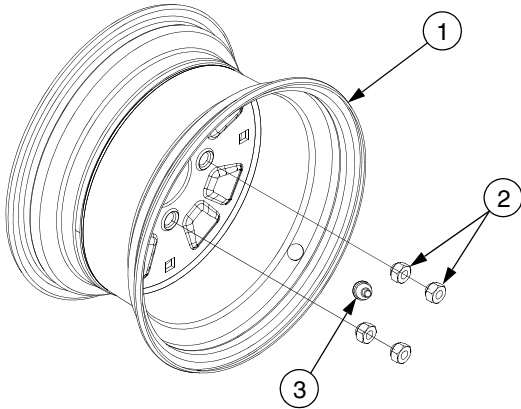
REF. NO.	PART NUMBER	DESCRIPTION	QTY.
1	747-04196	Rod, Lift Link	1
2	703-2234	Bracket, LH Hanger	1
3	703-2804	Plate, Bearing Mounting	2
4	703-2832	Link, RH Lift	1
5	703-2833	Link, LH Lift	1
6	711-3319	Ferrule, Adjustment	1
7	712-0431	Nut, Hex Flange Lock, 3/8-16	5
8	712-3048	Nut, Hex Jam, 1/2-13 GR5	1
9	712-3083	Nut, Hex Insert Lock, 1/2-13	1
10	714-0145	Pin, Internal Cotter	1
11	738-0430	Bolt, Shoulder	2
12	738-0507B	Bolt, Shoulder	3

FRONT WHEEL



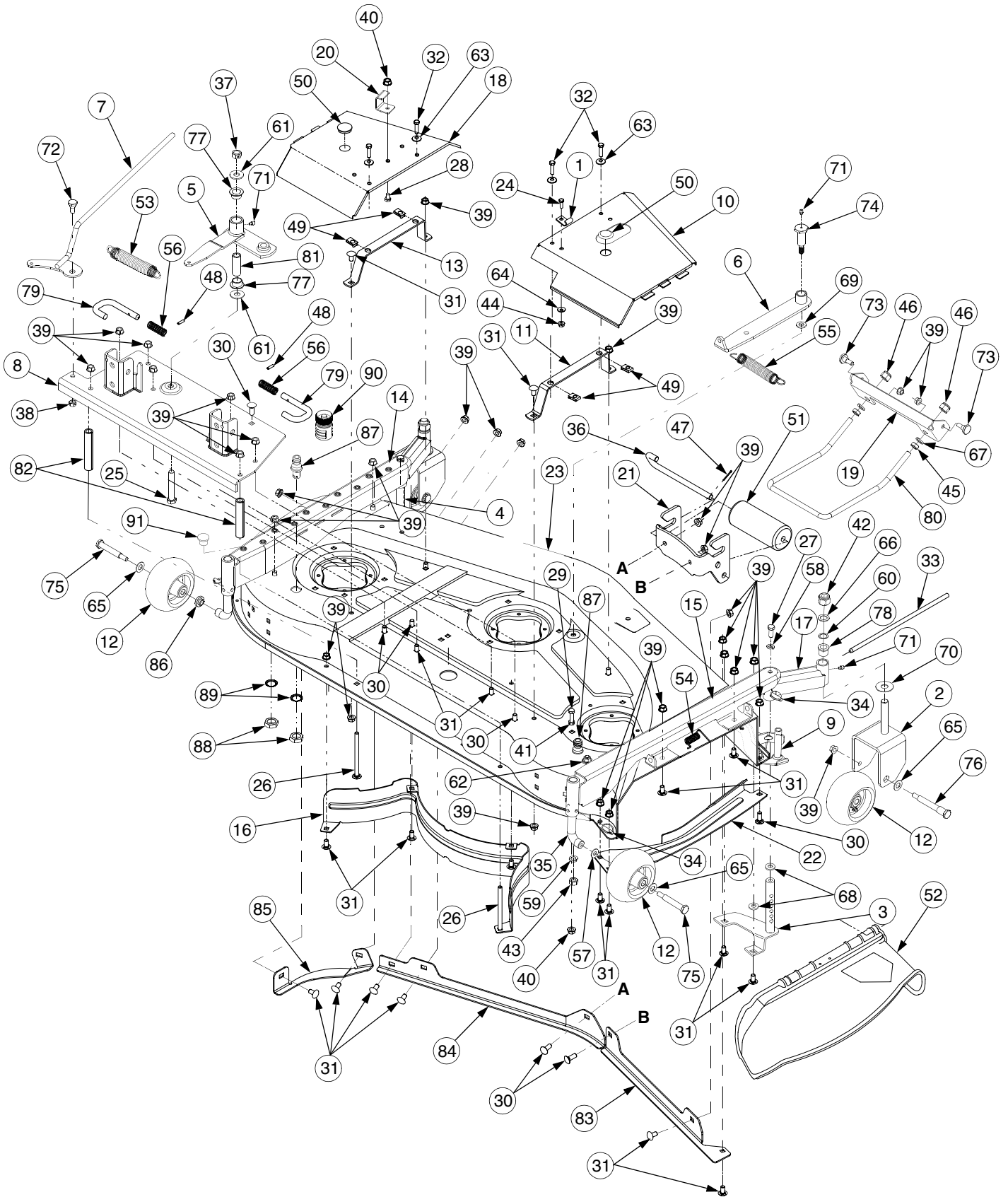
REF. NO.	PART NUMBER	DESCRIPTION	QTY.
	734-3187	Tire, Cub Tread, 16 x 6.5 x 8	2
1	634-3016	Rim Assy, Front	2
2	710-3119	Bolt, Hex Patch, 3/8-16 x .75 GR5	2
3	731-3020	Cap, Hub	2
4	734-0255	Valve, Tubeless Air	2
5	736-3039	Washer, Flat, .406 x 1.5 x .110	2
6	736-3040	Washer, Flat, .406 x 1.92 x .06	2
7	737-0224	Fitting, Grease	2
8	741-3032	Bearing, Ball	4

REAR WHEEL



REF. NO.	PART NUMBER	DESCRIPTION	QTY.
	734-3190	Tire, Cub Tread, 23 x 9.5 x 12	2
1	634-3189	Rim Assy, Rear	2
2	712-3050	Nut, Lug, 7/16-14	8
3	734-0255	Valve, Tubeless Air	2

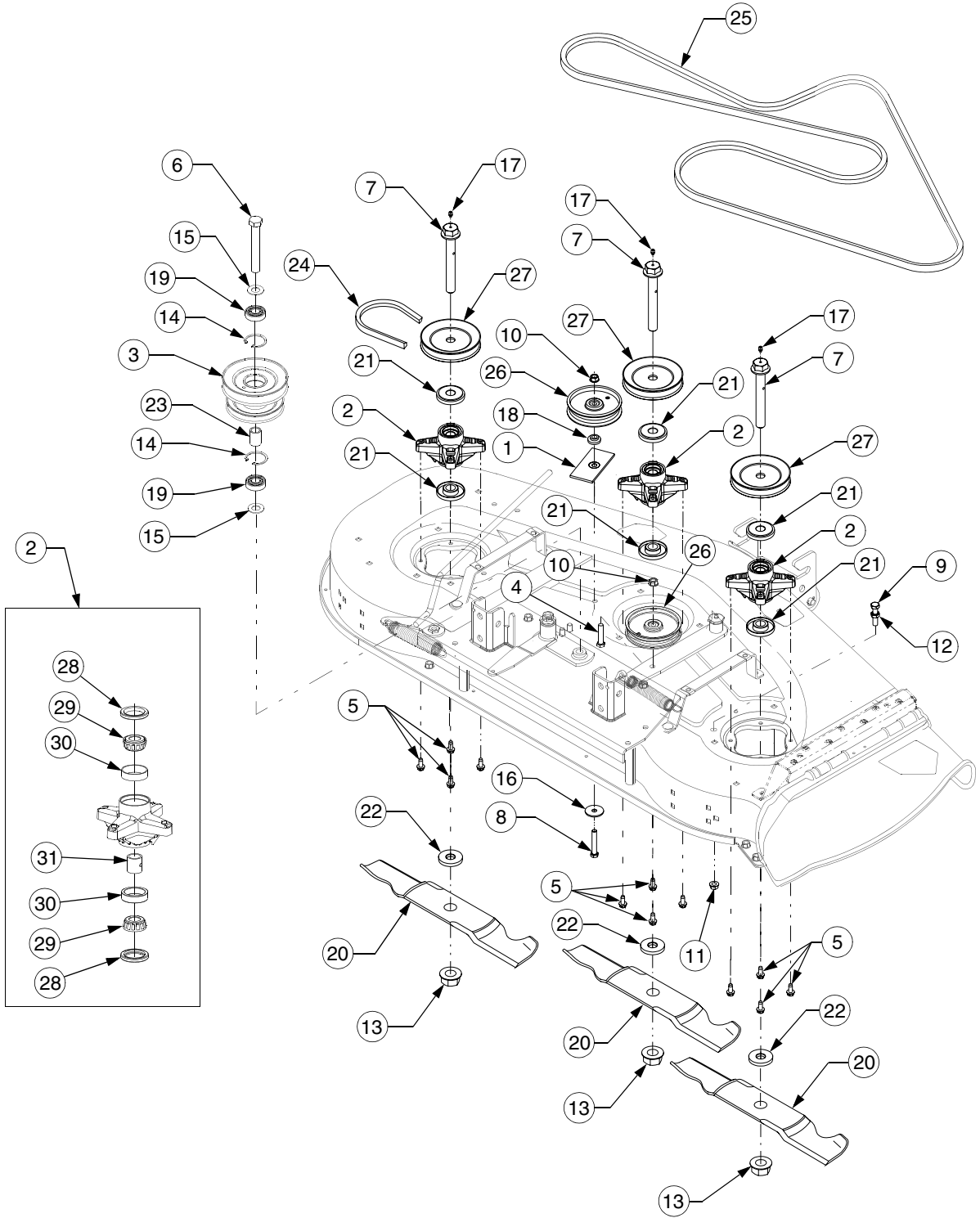
54" DECK ASSEMBLY



54" DECK ASSEMBLY

REF. NO.	PART NUMBER	DESCRIPTION	QTY.	REF. NO.	PART NUMBER	DESCRIPTION	QTY.
1	16606	Brack, Hook Retainer	1	45	712-3048	Nut, Hex Jam, 1/2-13 GR5	2
2	603-0031A	Bracket, Wheel	2	46	712-3083	Nut, Hex Insert Lock, 1/2-13 GR8	2
3	603-0110	Spindle, Adjustment RH	1	47	714-3004	Pin, Cotter 3/32 x 1.25	1
4	603-0111	Spindle, Adjustment LH	1	48	715-3003	Pin, Spirol	2
5	603-04094	Bracket, Idler	1	49	726-0211	Nut, "U" 5/16-18	4
6	603-04107	Bracket, Idler	1	50	726-3045	Plug, Button	2
7	603-04113	Handle	1	51	731-3005	Roller, Front	1
8	603-04135	Bracket, Rear Hanger	1	52	731-3131A	Deflector, Chute	1
9	683-0617	Bracket, Chute Stop	1		777S30145	Label, Danger	1
10	703-05269	Cover, Belt RH	1	53	732-0861	Spring, Extension	1
11	703-05270	Strap, Mounting	1	54	732-3070	Spring, Torsion	1
12	703-1890	Wheel, Ball w/Fitting, 5 in	4	55	732-3120A	Spring, Extension	1
	737-0280	Fitting, Lube	4	56	732-3127	Spring, Compression	2
13	703-2072	Strap, Mounting	1	57	736-0105	Washer, Bell, .375 x .87 x .063	1
14	703-2081A	Channel, Castor LH	1	58	736-0169	Washer, Lock 3/8" I.D.	2
15	703-2083	Channel, Castor RH	1	59	736-0171	Washer, Lock 7/16" I.D.	1
16	703-2093	Baffle, Rear Inner	1	60	736-0174	Washer, Wave, .625 x .885 x .015	2
17	703-2094	Castor, Front	2	61	736-0179	Washer, Flat, .5 x 1.25 x .10	2
18	703-2096C	Cover, Belt LH	1	62	736-0192	Washer, Flat, .535 x .93 x .09	1
19	703-2248	Bracket, Front Lift	1	63	736-0242	Washer, Bell .34" I.D.	4
20	703-2559	Bracket, Stop	1	64	736-0270	Washer, Bell .265 x .75 x .062	1
21	703-3043A	Bracket, Roller Front	1	65	736-0272	Washer, Flat, .51 x 1.0 x .06	4
22	703-3511	Guard, Finger	1	66	736-0290	Washer, Flat, .625 x 1.0 x .067	2
23	703-4133B	Deck	1	67	736-0921	Washer, Lock, 1/2	2
	777D07875	Label, 54"	2	68	736-3004	Washer, Flat, .406 x .875 x .105	4
	777S30503	Label, Danger	1	69	736-3015	Washer, Flat, .469 x .875 x .105	1
	777S30015	Label, Danger L.H. Side	1	70	736-3088	Washer, Flat, 1.595 x .635 x .062 HT	2
	777S30014	Graphic, Caution Spring Tension	1	71	737-3000	Fitting, Lube, 3/16 Drive	4
24	710-0751	Screw, Hex Cap 1/4-20 x .62 GR5	1	72	738-0143	Screw, Shoulder, .498 x .34: 3/8-16	1
25	710-1010	Screw, Hex Cap, 1/2-20 x 3.0 GR8	1	73	738-0507B	Screw, Shoulder, .5 x .434: 3/8-16	2
26	710-1644	Carriage, Bolt 3/8-16 x 5.0 GR5	2	74	738-3005A	Screw, Shoulder, .68 x 1.59	1
27	710-3001	Screw, Hex Cap, 3/8-16 x .88 GR5	2	75	738-3056	Screw, Shoulder, .5 x 2.5	2
28	710-3039	Screw, Hex Cap, 5/16-18 x .5 GR5	1	76	738-3093	Screw, Step Shoulder, 5/8-1/2 x 3.41	2
29	710-3073	Screw, Hex Cap, 5/16-18 x 2.25 GR5	1	77	741-0338	Bearing, Flange, 3/4 x .52	2
30	710-3168	Carriage, Bolt 3/8-16 x 1.0	7	78	741-0353	Bearing, Flange, .63 ID	4
31	710-3178	Carriage, Bolt 3/8-16 x .75	27	79	747-3188	Pin, Mower Support	2
32	710-0376	Screw, Hex Cap, 5/16-18 x 1 GR5	4	80	747-04142	Rod, Deck Hanger	1
33	711-1762	Pin, Hinged .375 x 14.06	1	81	750-3136	Spacer, .5 x .75 x 2.07" Lg.	1
34	711-3266	Pin, Clevis w/Ball Detent	4	82	750-3213	Spacer, .405" x .75 x 3.875" Lg.	2
35	711-3312	Axle, Castor	2	83	783-1482	Skirt, RH Deck	1
36	711-3314	Pin, Roller 1/2 x 7.31	1	84	783-1483	Skirt, LH Deck	1
37	712-0239	Nut, Hex Lock, 1/2-20 GRA	1	85	783-1484	Skirt, LH Extension	1
38	712-0375	Nut, Hex Lock, 3/8-16 GRA	1	86	738-0372B	Spacer, Shoulder	1
39	712-0431	Nut, Flange Lock 3/8-16	40	87	737-04003B	Nozzle, Deck Wash	2
40	712-3004A	Nut, Flange Lock, 5/16-18 GR5	2	88	712-0641	Nut, Hex, M16-1.5	3
41	712-3010	Nut, Hex, 5/16-18 GR5	1	89	736-0760	Washer, Lock	3
42	712-3016	Nut, Hex Lock 5/8-11	2	90	721-04041	Adapter, Water Nozzle	1
43	712-3019	Nut, Hex, 7/16-14 GR2	1	91	738-04146	Plug, Screw, M16-1.5	1
44	712-3027	Nut, Hex Flange Lock 1/4-20	1				

54" DECK DRIVE



54" DECK DRIVE

REF. NO.	PART NUMBER	DESCRIPTION	QTY.
1	603-0646	Assembly, Spacer	1
2	618-3129B	Assembly, Spindle Includes Ref. Nos. 28 thru 31	3
3	656-3002	Pulley Assembly, Double	1
	737-3000	Fitting, Lube	1
4	710-0347	Screw, Hex Cap	1
		3/8-16 x 1.75 GR5	
5	710-0602	Screw, Hex Wash Hd Tapp	12
		5/16-18 x 1.0	
6	710-0923	Screw, Hex Cap, 5/8-18 x 3 GR5	1
7	710-1693	Bolt, Spindle, 3/4-16 x 5.215	3
8	710-3066	Screw, Hex Cap	1
		3/8-16 x 2.75 GR8	
9	710-3073	Screw, Hex Cap, 5/16-18 x 2.25 GR5	1
10	712-0431	Nut, Flange Lock 3/8-16 GRF	2
11	712-3004A	Nut, Flange Lock, 5/16-18 GR5	1
12	712-3010	Nut, Hex, 5/16-18 GR5	1
13	712-3078	Nut, Hex Flange, 3/4-16	3
14	716-3020	Ring, Internal Retaining	2
15	736-0237	Washer, Flat .65 x 1.25 x .075	2
16	736-3039	Washer, Flat .406 x 1.5 x .105	1
17	737-3000	Fitting, Grease	3
18	738-0372B	Spacer, Shoulder	1
19	741-1122	Bearing, Ball,	2
20	759-3820	Blade, High Lift 18.5" Lg.	3
	759-3841	Blade, Hard Coated	3
21	748-3065	Spacer, Deck Spindle	6
22	748-3101	Spacer, Blade	3
23	750-3132	Spacer, .635 x .88 x 1.25	1
24	754-04047	Belt, "V" 114.2" Lg.	1
25	754-04055	Belt, "V" 111.4" Lg.	1
26	756-3005	Pulley, Flat	2
27	756-3096	Pulley, "V"	3
28	721-3018A	Seal, Oil, 1.25 x 1.874 x .25	6
29	741-04089	Bearing, Cone	6
30	741-04091	Cup, Bearing	6
31	750-04409	Spacer, Bearing	3
