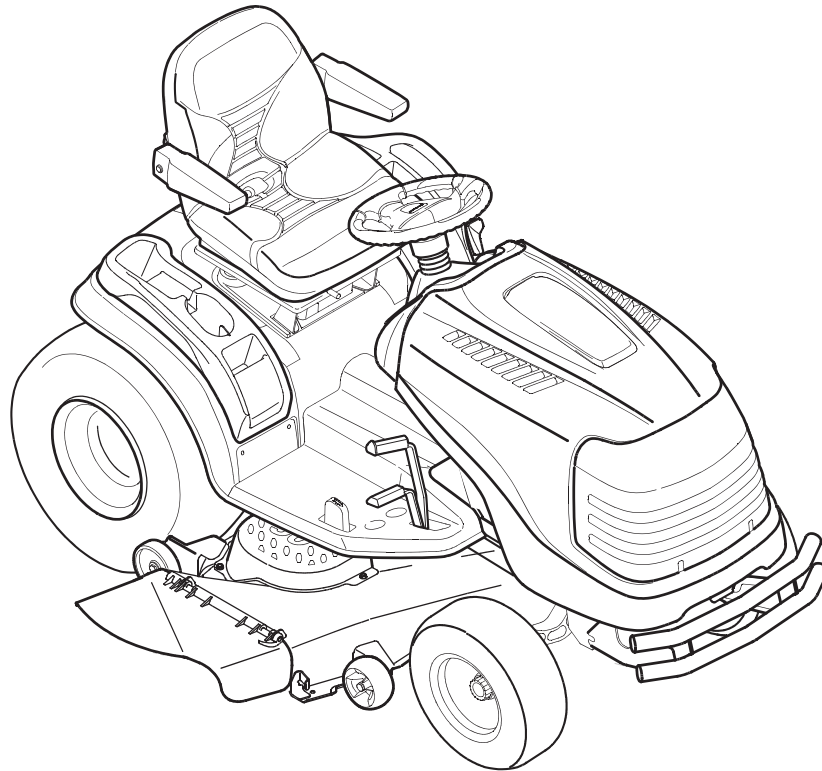

Cub Cadet.

Illustrated Parts Manual



SERIES 2500 TRACTOR Model GT 2550

CUB CADET LLC, P.O. BOX 361131 CLEVELAND, OHIO 44136-0019

MODEL GT 2550

TABLE OF CONTENTS

DESCRIPTION	PAGE	DESCRIPTION	PAGE
Axle, Front	3	Engine Mounting	30
Battery	13	Fender	18
Brakes	4	Frame	16
Controls		Fuel Tank	24
Engine	14	Grille	20
Pedals	4	Hood	20
Transmission	4	Hydraulic Filter	12
Dash Panel	14	Neutral Linkage and Hydrauling Tube	12
Drawbar	16	Hydrostatic Pump	10
Drive Line	7	Implement Lift Handle	22
Electrical		Implement Lift Links	23
Switches	13	Muffler	30
Wiring	13	PTO Clutch	24
Engine		Running Board	18
Air Filter	36	Seat	17
Blower Housing and Baffles	31	Steering	6
Breather	33	Transmission, Hydro	8
Carburetor	37	Wheels, Front & Rear	25
Controls	40	50" Mower Deck	26
Crankcase	32		
Crankshaft	34		
Cylinder Head	33		
Electrical	39		
Exhaust	34		
Flywheel	39		
Fuel System	37		
Oil Pan	35		
Starter	38		
Valves	33		

NOTE: For painted parts, please refer to the list of color codes below. Please add the applicable color code, wherever needed, to the part number to order a replacement part. For instance, if a part, numbered 700-xxxx, is painted Cub Yellow, the part number to order would be 700-xxxx-0716.

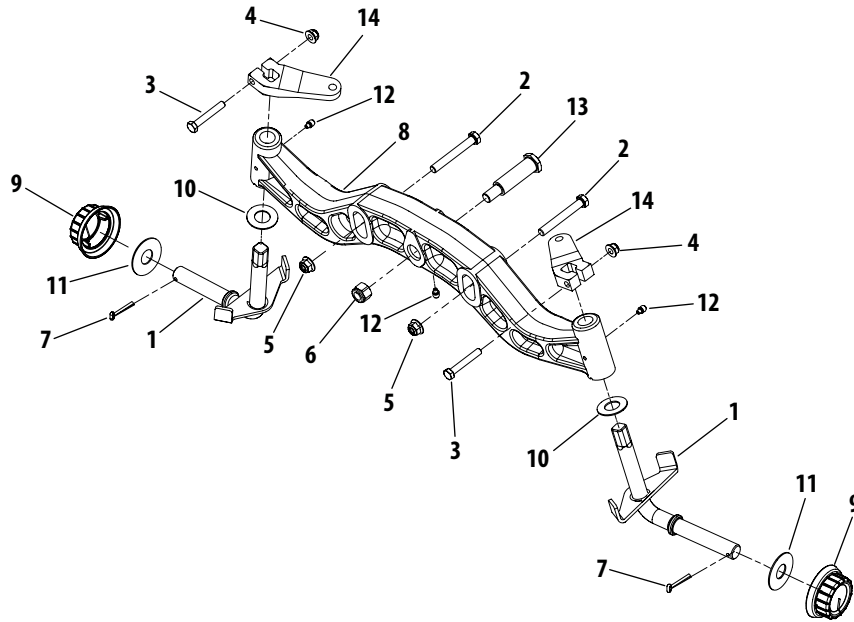
Cub Yellow: 0716

Cub Beige: 0499

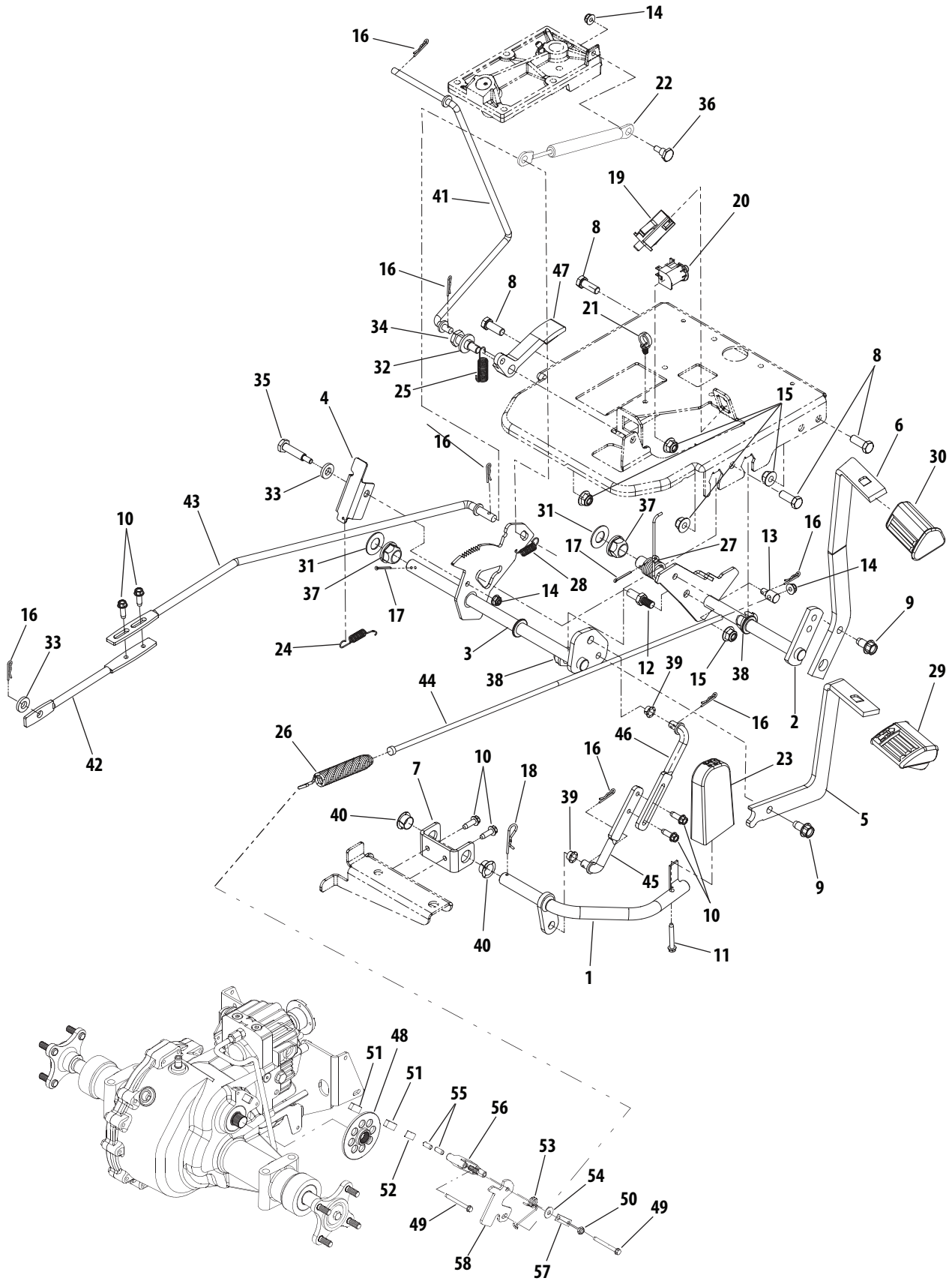
Cub Blue: 0685

Powder Black: 0637

Front Axle



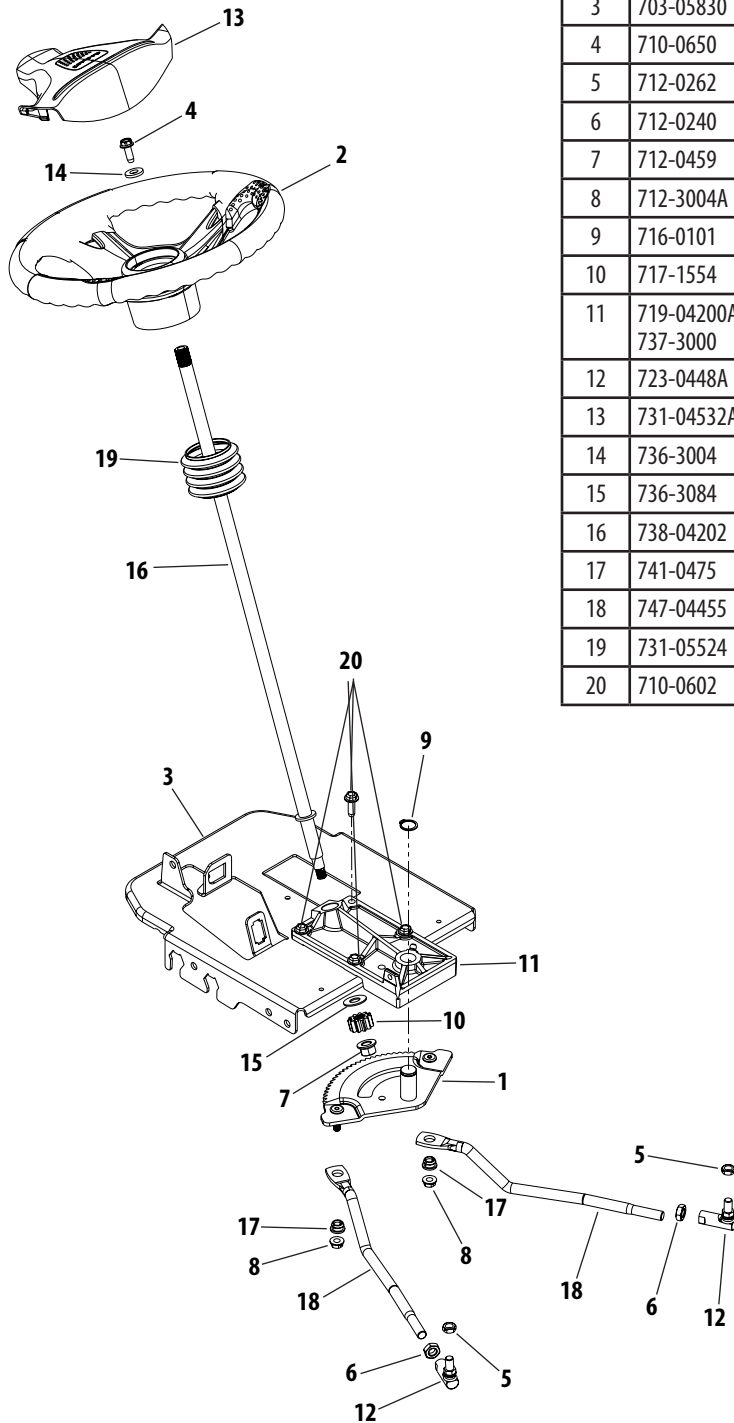
REF. NO.	PART NUMBER	DESCRIPTION	QTY.
1	603-04338	Axle Assembly	2
2	710-3066	Screw, Hex Cap, 3/8-16 x 2.75 GR8	2
3	710-3103	Screw, Hex Cap, 5/16-18 x 2 GR5	2
4	712-04065	Nut, Hex Flanged Lock, 3/8-16	2
5	712-04063	Nut, Hex Flange Top Lock, 5/16-18	2
6	712-3083	Nut, Hex Top Nylon Lock, 1/2-13	1
7	714-04039	Pin, Cotter, 5/32 x 1.25	2
8	719-3095	Axle, Front Pivot	1
9	731-3020	Hubcap	2
10	736-0188	Washer, Flat, .760 x 1.49 x .06 Thk.	2
11	736-0866	Washer, Flat, .755 x 1.92 x .06	2
12	737-3000	Fitting, Lube, 3/16 Drive Type	3
13	738-3110	Bolt, Pivot Shoulder, 3/4 Dia x 2.23	1
14	748-3049	Arm, Steering	2

Brake and Control Pedals

Brake and Control Pedals

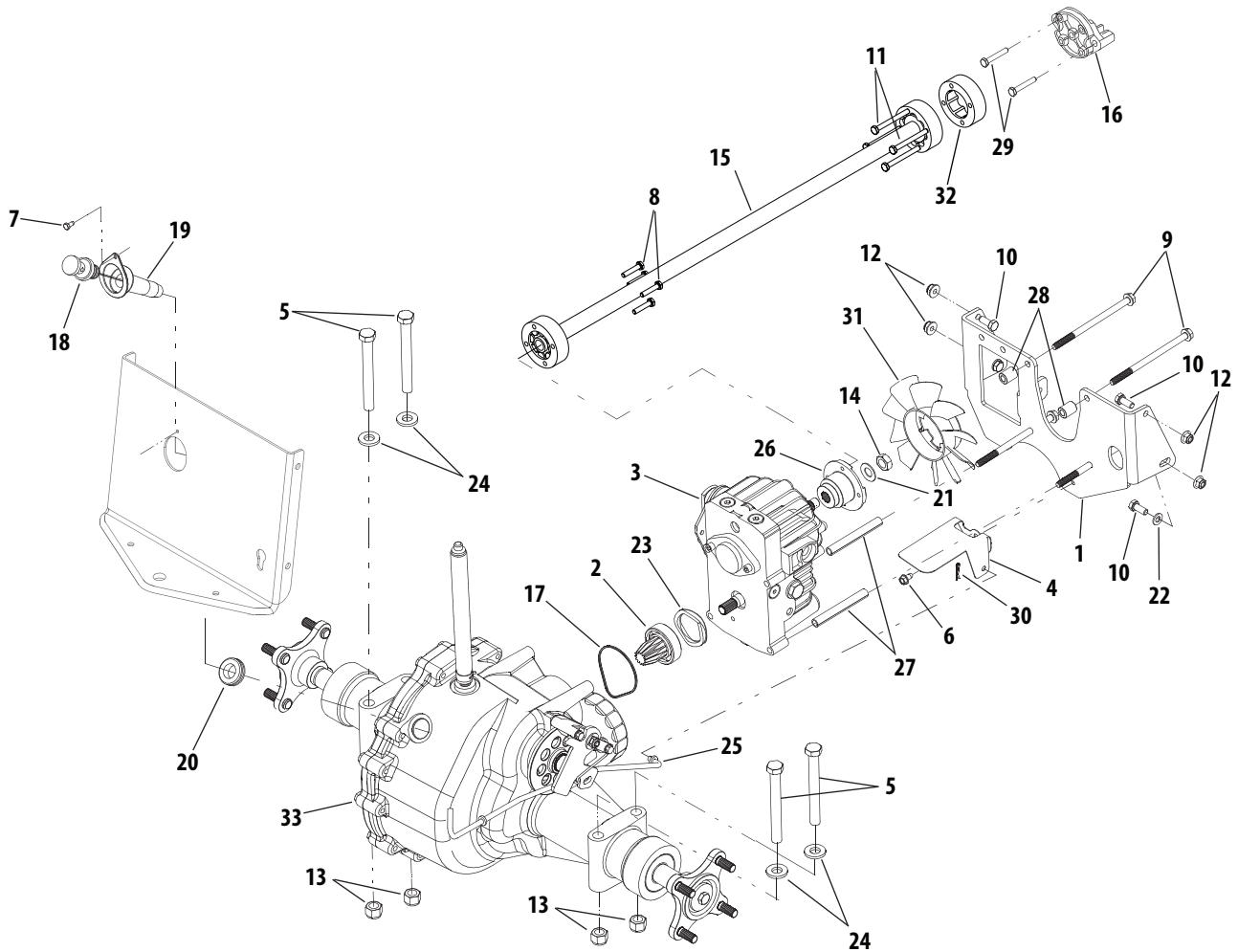
REF. NO.	PART NUMBER	DESCRIPTION	QTY.	REF. NO.	PART NUMBER	DESCRIPTION	QTY.
1	603-0412	Pedal Assy, Reverse	1	29	735-3048	Pad, Forward Foot Control	1
2	603-04313A	Shaft Assy, Brake	1	30	735-3049A	Pad, Brake Foot	1
3	603-04314	Shaft Assy, Forward/Reverse	1	31	736-0187	Washer, Flat, .64 x 1.24 x .06 HT	2
4	703-05873	Bracket, Reverse Switch	1	32	736-0326	Washer, Flat, .51 x 1.0 x .125	1
5	703-2570A	Pedal, Forward	1	33	736-3010	Washer, Flat, .407 x .812 x .135 HT	2
6	703-2573A	Pedal, Brake	1	34	738-0145	Shoulder Bolt, .50 OD x .840	1
7	703-2938	Bracket, Reverse Pivot	1	35	738-0560	Screw, Shoulder, .374 x 1.375	1
8	710-0514	Screw, Hex Cap, 3/8-16 x 1.0 GR5	4	36	738-0974	Screw, Shoulder, .375 x .380:1/4-20	1
9	710-0623	Screw, Hex Wash Hd Tapp, 3/8-16x .75	2	37	741-0225	Bearing, Hex Flange	2
10	710-0642	Screw, Hex Wash Hd Tapp, 1/4-20x .75	6	38	741-3065B	Bearing, Hex Flange Split	2
11	710-0796	Screw, Truss Mach, #12 x 1.5	1	39	741-3073	Bearing, Flange, .375 x .58 x .25	2
12	711-04543	Pin, 3/8-16 x 1.0	1	40	741-3074	Bearing, Flange, .625 x .938 x .344	2
13	711-0736	Ferrule, Adjustment, 1/4-20 Thrd	1	41	747-04426	Rod, Cruise	1
14	712-04064	Nut, Hex Flange Lock, 1/4-20	3	42	747-04478	Rod, Rear F/R Control	1
15	712-04065	Nut, Hex Flange Lock, 3/8-16	4	43	747-04479	Rod, Front F/R Control	1
16	714-0104	Pin, Internal Cotter, 5/16 Dia x 1.12	7	44	747-04516	Rod, Brake	1
17	714-0111	Pin, Cotter, 3/32 x 1.0	2	45	747-3341A	Rod, Rear Connecting	1
18	714-0145	Pin, Internal Cotter, 3/8 Dia x 1.62	1	46	747-3383	Rod, Front Connecting	1
19	725-3164A	Switch, Interlock (Brake)	1	47	748-04102	Latch, Cruise	1
20	725-3167	Switch, Snap Mount (Reverse)	1	48	761-0215	Disc, Brake	1
21	725-3055	Clip, Cable Retainer	1	49	710-1206	Screw, Hex Wash Hd, Tapp, 1/4-20 x 2.375	2
22	727-04141	Cylinder, Damper, .59 OD x 7.84 Lg	1	50	712-0273	Nut, Hex Nylon Lock, 5/16-24	1
23	731-3205	Pedal, Reverse	1	51	717-0678	Pad, Brake	2
24	732-0418	Spring, Extension, .38 OD x 2.1	1	52	717-0682	Plate, Puck	1
25	732-04354	Spring, Extension	1	53	732-0925	Spring, Torsion	1
26	732-0463A	Spring, Extension	1	54	736-0371	Washer, Flat, .343 x .88 x .062	1
27	732-0756A	Spring, Torsion	1	55	741-0343	Pin, Brake Actuating	2
28	732-3118	Spring, Extension, .375 OD x 1.44	1	56	761-0207A	Yoke, Brake	1
				57	761-0208	Bracket, Brake Anti Rotation	1
				58	761-3074	Arm, Brake Actuator	1

Steering



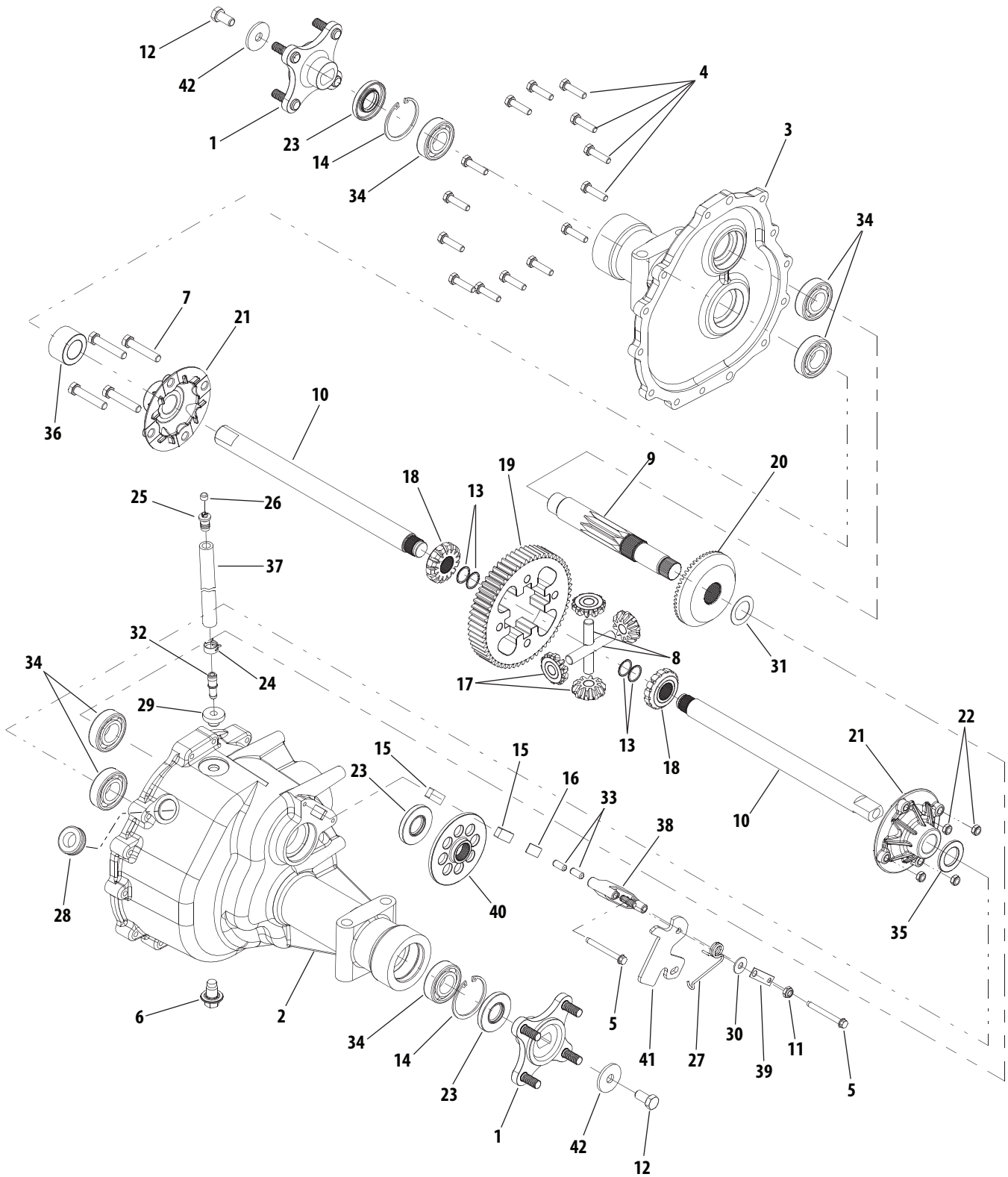
REF. NO.	PART NUMBER	DESCRIPTION	QTY.
1	617-04034	Gear Assy, Segment	1
2	631-04008	Wheel, Steering, Soft Grip	1
3	703-05830	Bracket, Steering Support	1
4	710-0650	Screw, Hx. Wash. Hd Tapp, 5/16-18 x .875	1
5	712-0262	Nut, Hex Jam Lock, 3/8-24 Gr2	2
6	712-0240	Nut, Hex Jam, 7/16-20 GR2	2
7	712-0459	Nut, Flange Lock 7/16-20 GrB	1
8	712-3004A	Nut, Hex Flange Lock, 5/16-18 GR5	2
9	716-0101	Ring, Snap, .75 Dia Shaft	1
10	717-1554	Gear, Steering Pinion	1
11	719-04200A 737-3000	Housing Assy, Steering Fitting, Grease, 3/16 Drive Type	1 1
12	723-0448A	Joint, Ball, 3/8-24	4
13	731-04532A	Cover, Steering Wheel	1
14	736-3004	Washer, Flat, .406 x .875 x .105 Thk	1
15	736-3084	Washer, Flat, .51 x 1.12 x .03 Thk	1
16	738-04202	Shaft, Steering, .625 x 27.10	1
17	741-0475	Plastic Bushing, .38 ID	2
18	747-04455	Link, Drag	2
19	731-05524	Bellow, Steering, 2.12 Lg	1
20	710-0602	Screw, Hx. Wash. Hd Tapp, 5/16-18 x 1.0	4

Drive Line



REF. NO.	PART NUMBER	DESCRIPTION	QTY.	REF. NO.	PART NUMBER	DESCRIPTION	QTY.
1	603-0707	Bracket, Torque	1	18	727-3195	Dipstick, Transmission	1
2	617-3002	Gear Assembly, Pinion	1	19	731-3294	Holder, Dipstick	1
3	618-3243	Transmission, Hydrostatic	1	20	735-0277A	Grommet, Rubber, .75 x 1.063	1
4	703-4093	Spring Plate, Hydro Dump	1	21	736-0253	Washer, Belleville	1
5	710-0465	Screw, Hex Cap, 1/2-20 x 4.5 GR5	4	22	736-0275	Washer, Flat, .344 x .688 x .065	2
6	710-0599	Scrw, Hx Wsh Hd Tapp, 1/4-20 x .5	1	23	736-0619	Washer, Spring	1
7	710-0919	Scrw, Hx Wsh Hd Tapp, 10-16 x .44	1	24	736-3019	Washer, Flat, .531 x 1.062 x .134	4
8	710-1062	Screw, Hex Patch, 1/4-20 x 1.25 GR5	4	25	747-3417B	Rod, Hydro Dump Valve	1
9	710-1888	Scrw, Hx Hd Tapp, 5/16-18 x 5.25	4	26	748-3093	Adapter, Hydro Pump	1
10	710-3008	Screw, Hex Cap, 5/16-18 x .75 GR5	4	27	750-3349	Spacer, Hydro, .323 x .443 3.51	2
11	710-04743	Screw, Hex Patch, 1/4-20 x 2.5 Gr5	4	28	750-3350	Spacer, Hydro, .323 x .600 x .74	2
12	712-04063	Nut, Hex Lock, 5/16-18	4	29	KH-24-086-17-S	Screw, Hex Patch, M10-1.5x 90mm	2
13	712-3058	Nut, Hex Nylon Lock, 1/2-20 GR2	4	30	714-0104	Internal Cotter Pin	1
14	712-3059	Nut, Hex Top Lock Jam, 1/2-20	1	31	731-3297	Fan, Pump	1
15	618-04610	Shaft, Drive, 29.75 Lg	1	32	718-04428	Adapter, Drive Shaft	1
16	719-3096	Adapter, Engine	1	33		Transmission Assembly, Hydro —See Pages 8-9 for Parts Info.	1
17	721-0519	Seal, Gland	1				

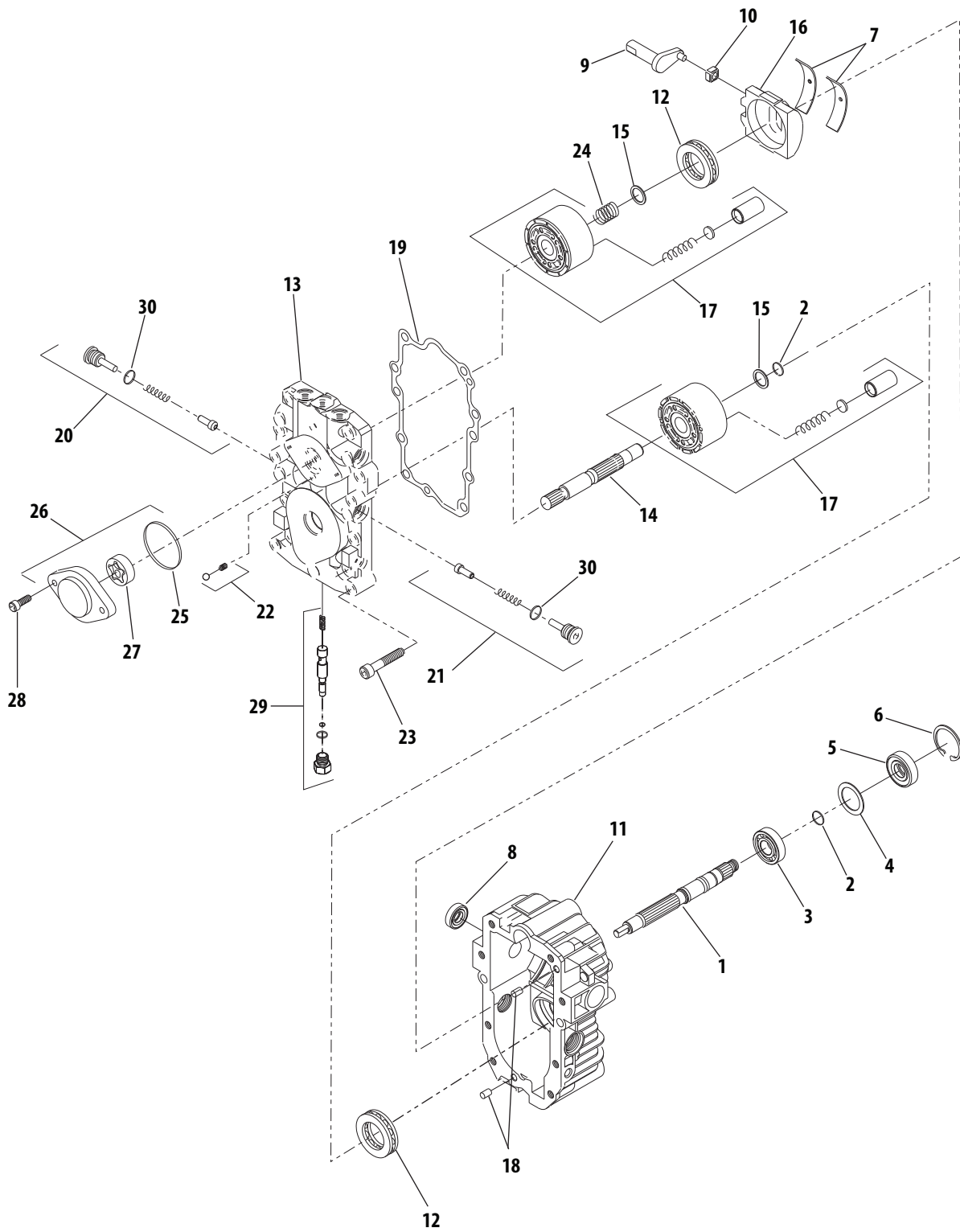
Hydro Transmission



Hydro Transmission

REF. NO.	PART NUMBER	DESCRIPTION	QTY.	REF. NO.	PART NUMBER	DESCRIPTION	QTY.
	618-04176	Transmission Assembly, Hydro — Does not include Ref Nos. 1, 12 & 42	1	23	721-0523	Seal, Oil, 1.0 x 2.047 x .2755	3
1	618-04317	Hub Ass'y, Wheel	2	24	726-0324	Clamp, Hose	1
2	619-3071A	Housing, RH Transmission	1	25	731-1480	Vent, Plastic	1
3	619-3072	Housing, LH Transmission	1	26	731-1481	Cap, Plastic Vent	1
4	710-0573	Screw, Hex Cap Lock, 5/16-18 x 1.25 GR5	14	27	732-0925	Spring, Torsion	1
5	710-1206	Screw, Hex Wash Hd. Tapp, 1/4-20 x 2.375	2	28	735-0277A	Grommet, Rubber, .75 x 1.063	1
6	710-1633	Screw, Plug, M14 x 1.5 x .827	1	29	735-0279	Grommet, Rubber, .362 x .56	1
7	710-3144	Screw, Hex Cap Lock, 3/8-16 x 2.0 GR5	6	30	736-0371	Washer, Flat, .343 x .88 x .062	1
8	711-1052A	Shaft, Cross, .50 x 3.005	2	31	736-0615	Washer, Thrust, 1.007 x 1.542 x .03	1
9	711-1385A	Shaft, Output, 9T	1	32	737-3092	Fitting, Tube	1
10	711-04233	Shaft, Axle	2	33	741-0343	Pin, Brake Actuating	2
11	712-0273	Nut, Hex Nylon Lock, 5/16-24	1	34	741-3114	Bearing, Ball (6205-1)	6
12	710-3119	Screw, Hex Cap Lock, 3/8-16 x .75 GR5	2	35	750-3346	Spacer, Axle, 1.007 x 1.665 x .141	1
13	716-04032	Ring, Retaining	4	36	750-3358	Spacer, Axle, 1.007 x 1.665 x .989	1
14	716-0204	Ring, Retaining	2	37	751-0588-8	Tube, Transmission Breather	1
15	717-0678	Pad, Brake	2	38	761-0207A	Yoke, Brake	1
16	717-0682	Plate, Puck	1	39	761-0208	Bracket, Brake Anti Rotation	1
17	717-1446	Gear, Miter, 10T	4	40	761-0215	Disc, Brake	1
18	717-04102	Gear, Miter, 14T	2	41	761-3074	Arm, Brake Actuator	1
19	717-1568	Gear, Differential Spur, 60T	1	42	736-0227	Washer, Flat, .39 x 1.5 x .134	2
20	717-3449	Gear, Bevel, 54T	1		759-3958	Sealant, Loctite Black, 5.3 oz. Tube	1
21	719-0375A	Housing, Differential w/Thru Holes	2		737-3120	Drive System Fluid Plus - Quart	5.5
22	712-3020	Nut, Hex Insert Jam GR5, 3/8-16	4		737-3121	Drive System Fluid Plus - Gallon	AR

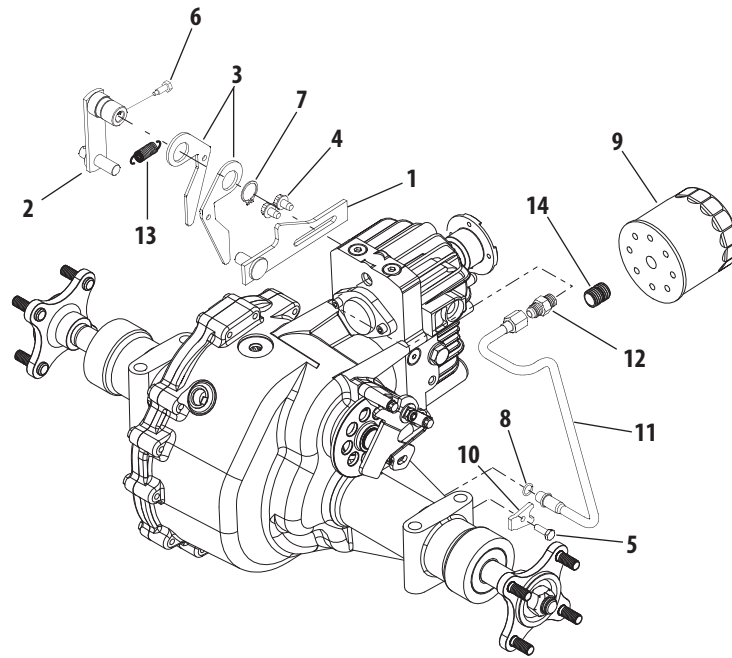
Hydrostatic Pump



Hydrostatic Pump

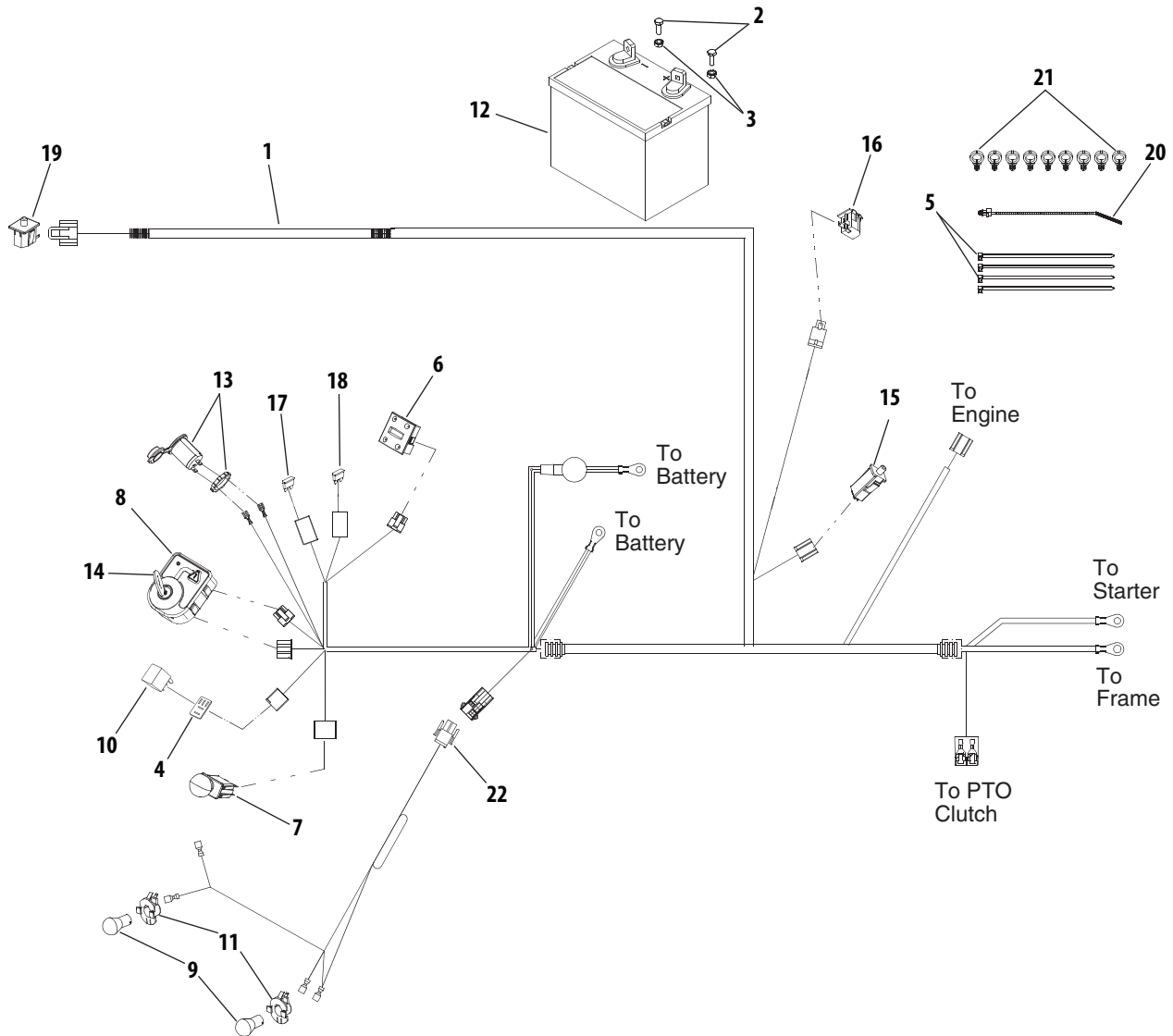
REF. NO.	PART NUMBER	DESCRIPTION	QTY.
1	HG-50158	Shaft, Pump (Splined)	1
2	HG-2003016	Ring, Retaining	2
3	HG-2003043P	Bearing, Ball	1
4	HG-2003018	Spacer	1
5	HG-9008000-0128	Seal, Lip	1
6	HG-2003052	Ring, Retaining	1
7	HG-2003023	Bearing, Cradle	2
8	HG-9008000-0126	Seal, Lip	1
9	HG-2003005	Arm, Trunnion	1
10	HG-2000015	Guide, Slot	1
11	HG-2513036	Housing Kit	1
12	HG-50551P	Bearing Assembly, Thrust Ball	2
13	HG-70444 HG-9005110-5600	Center Section Kit Plug w/O-Ring	1 2
14	HG-2003034	Shaft, Motor	1
15	HG-2003017	Washer, Block Thrust	2
16	HG-2003087	Swash Plate	1
17	HG-70331	Block Assembly	2
18	HG-9004800-2506	Pin	2
19	HG-2003060	Gasket, Center Section	1
20	HG-2510027	Kit, Check Valve	1
21	HG-2510034	Kit, Orificed Check Valve	1
22	HG-2510011	Kit, Charge Relief Valve	1
23	HG-9007314-0808	Screw, Socket Hd	8
24	HG-2003014	Spring, Block	1
25	HG-9004101-1340	O-Ring	1
26	HG-2513027	Kit, Charge Pump	1
27	HG-50273	Gerotor Assy	1
28	HG-50095	Screw, Socket Hd	2
29	HG-2153011	Bypass Valve Kit	1
30	HG-9004201-3700	O-Ring	3

Neutral Linkage & Hydraulic Tube



REF. NO.	PART NUMBER	DESCRIPTION	QTY.
1	603-0732	Bracket, Neutral Return	1
2	603-04340	Arm Assembly, Control	1
3	703-2441	Arm, Neutral	2
4	710-0607	Screw, Hex Wash Hd Tapp, 5/16-18 x .50	2
5	710-3015	Screw, Hex Cap, 1/4-20 x .75 GR5	1
6	710-04171	Screw, Special Hex Cap, 5/16-24 x .625	1
7	716-0111	Ring, Snap, .875 Shaft	1
8	721-0459	O-Ring, .426 ID x .566 OD x .07	1
9	723-3014	Filter, Oil	1
10	726-0295	Clamp, Tube, .50	1
11	727-0636	Tube, Hydro Pickup	1
12	727-3002	Fitting, Hydraulic	1
13	732-3119A	Spring, Extension	1
14	737-3022	Nipple, Oil Filter	1

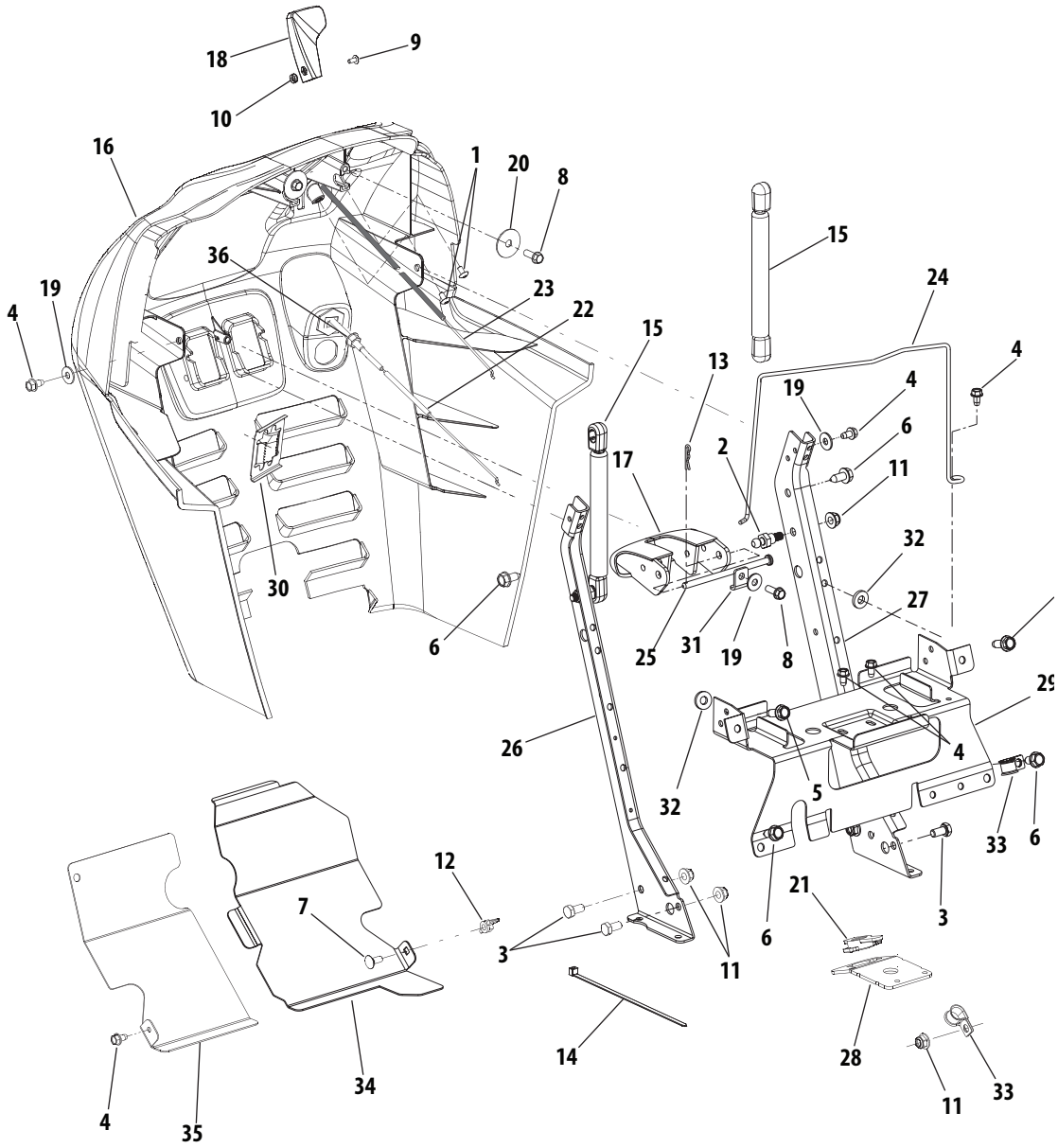
Battery, Electrical Components and Switches



REF. NO.	PART NUMBER	DESCRIPTION	QTY.
1	629-04158A	Wire Harness, Main	1
2	710-3015	Screw, Hex, 1/4-20 x .75 GR5	2
3	712-0271	Sems Nut	2
4	721-0342	Gasket, Silicone	1
5	725-0157	Tie, Self-Clinch Cable	4
6	725-04022B	Meter, Indicator / Hour	1
7	725-04175	Switch, PTO	1
8	725-04227B	Switch, Key/Module	1
9	725-0963	Lamp, Head Light	2
10	725-1648	Relay	1
11	725-1649	Socket, Light, 1/4 Turn	2

REF. NO.	PART NUMBER	DESCRIPTION	QTY.
12	925-1707D	Battery	1
13	725-2003	Receptacle, Power 12V	1
14	725-2054A	Key, Ignition	2
15	725-3164A	Switch, Interlock (Brake)	1
16	725-3167	Switch, Snap Mount (Reverse)	1
17	725-3243	Fuse, 25 Amp	2
18	725-04008	Fuse, 5 Amp	1
19	725-04040	Switch, Seat	1
20	726-0154	Tie, Pushmount	9
21	726-3055	Clip, Cable	9
22	629-04142A	Harness, Head Light	1

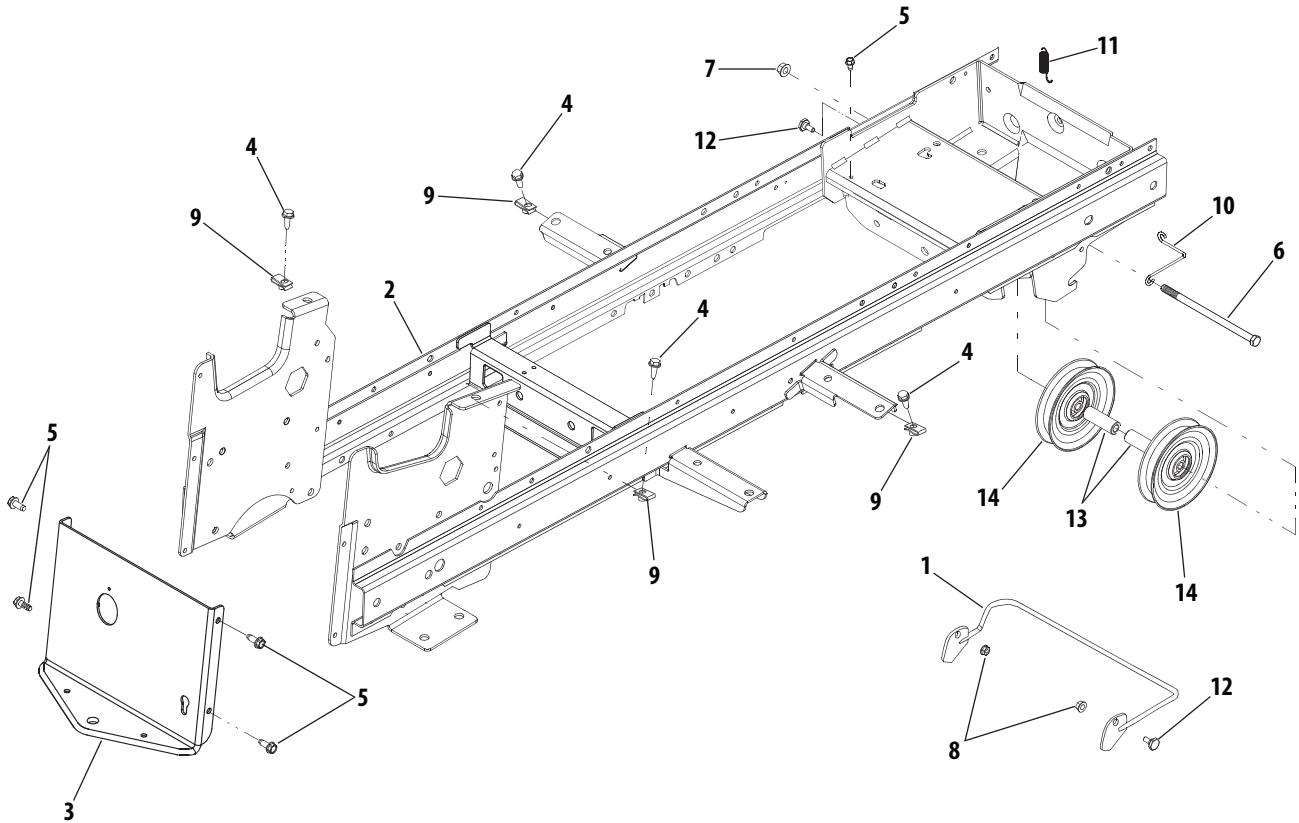
Dash Panel & Engine Controls



Dash Panel & Engine Controls

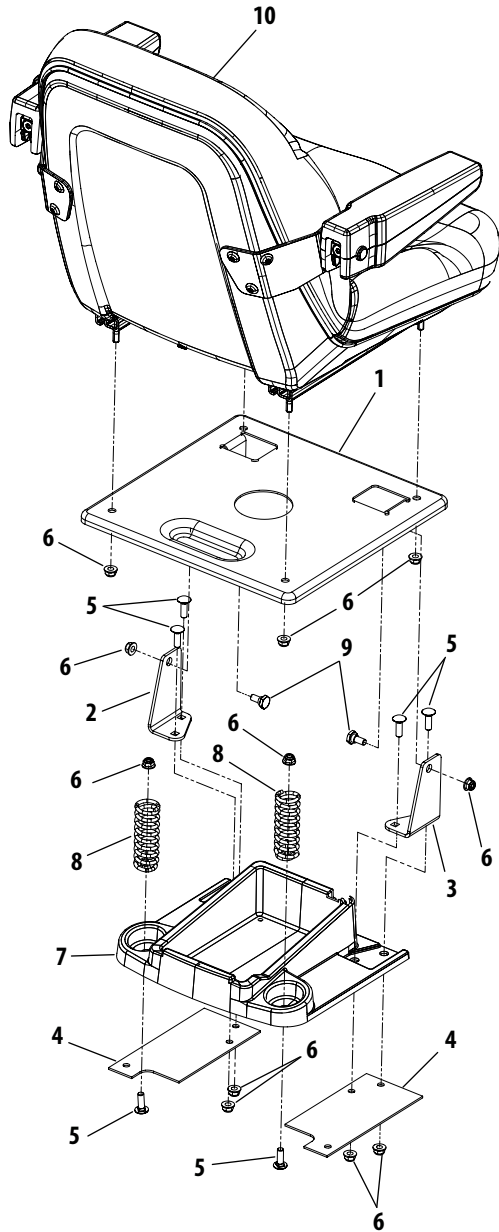
REF. NO.	PART NUMBER	DESCRIPTION	QTY.
1	710-0192	Screw, #10-24 x .375	2
2	710-04471	Screw, Ball Shoulder. 5/16-18 x .48	2
3	710-3025	Screw, Hex Cap, 5/16-18 x .625 GR5	4
4	710-0599	Screw, Self-tapping, 1/4-20, 0.500	6
5	710-0650	Screw, Hx. Wash. Hd, Tapp. 5/16-18 x .875	2
6	710-0726	Screw, Hx. Wash. Hd, Tapp, 5/16-12 x .75	6
7	710-0134	Screw, Carriage, 1/4 -20 x .62	1
8	710-0895	Screw, 1/4-15, 0.75	2
9	710-3217	Screw, Truss Mach., #8-32 x .375	1
10	712-0142	Nut, Hex, #8-32 GrA	1
11	712-04063	Nut, Hx Insert Flange Lck, 5/16-18 GrF	6
12	712-3087	Nut, Wing, 1/4-20	1
13	714-0104	Internal Cotter Pin, .072 x 1.13	1
14	725-0157	Tie, Cable	1
15	727-04142	Cylinder, Gas	2
16	731-05354A	Dash	1
	777 I 22459	Graphic, Dash Insert	1
	777I22280	Graphic, Throttle	1
17	731-05447	Lever, Dash, Cruise	1
18	731-3161A	Knob, Throttle Control	1
19	736-0173	Washer, Flat, .28 x .74 x .063	3
20	736-0362	Washer, Flat, .33 x 1.25 x .06 HT	2
21	731-05659	Bushing, Steering Shaft	1
22	746-04277	Cable, Choke	1
23	746-1100	Cable, Throttle Control	1
24	747-04215	Strap, Battery	1
25	747-1323A	Rod, .25 x 4.55	1
26	783-04285E	Plate, Dash Support RH	1
27	783-04323F	Plate, Dash Support, LH	1
28	783-05240A	Bracket, Steering Support	1
29	783-05469	Bracket, Battery Support	1
30	783-0462	Bracket, PTO Switch Retainer	1
31	783-1499	Bracket, Rod, Dash	1
32	736-3008	Washer, Flat, .344 x .75 x .12	6
33	726-0272	Clamp, 9/16	2
34	703-06668	Shield, Engine, LH	1
	777S32728	Graphic, Steering Box Access Panel	1
35	703-05884	Shield, Enging, RH	1
36	712-3005	Nut, Flange Lock, 3/8-16 Gr5	1

Frame and Drawbar



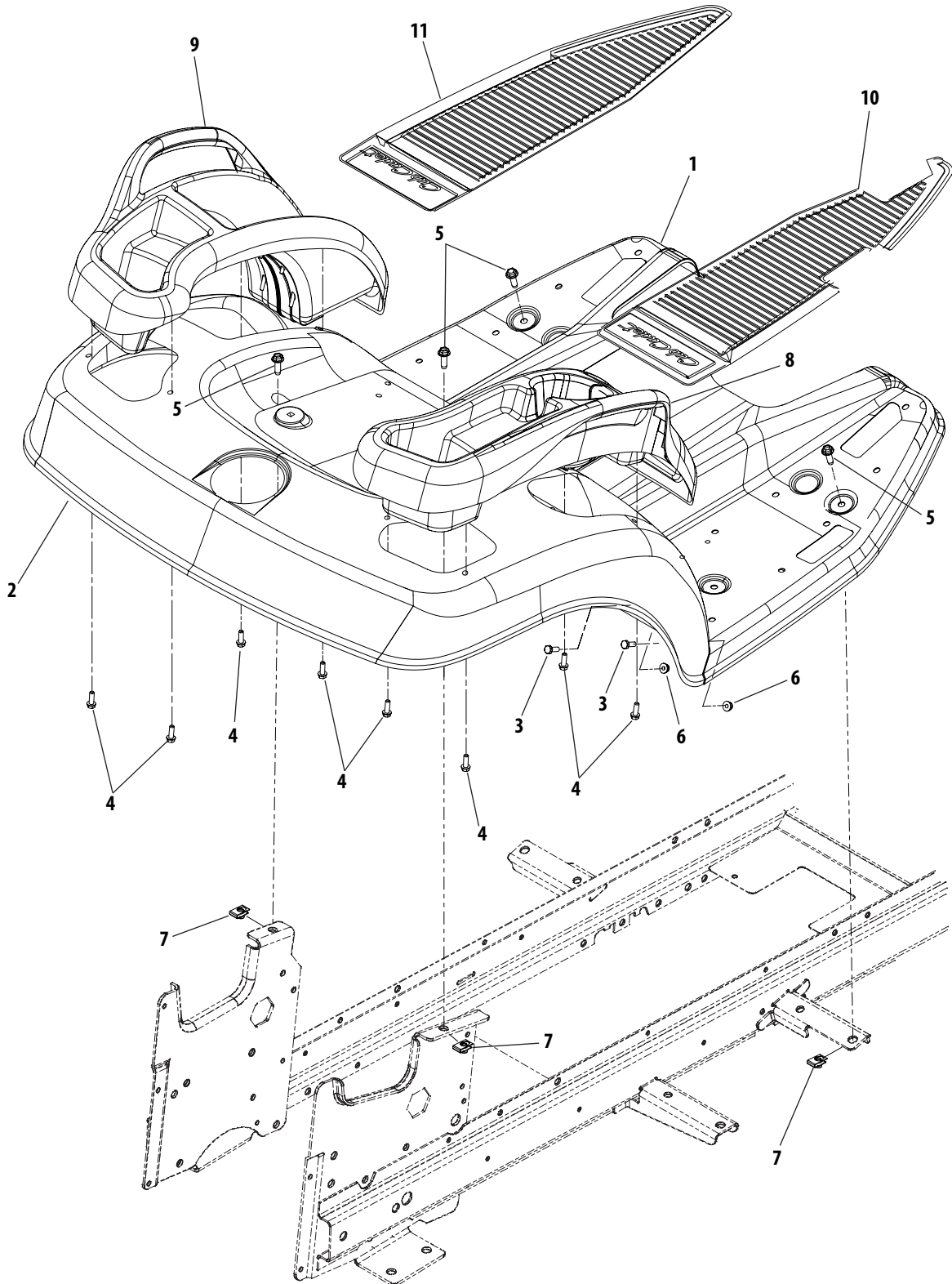
REF. NO.	PART NUMBER	DESCRIPTION	QTY.
1	603-04250	Rod, Quick Attach	1
2	603-04349	Frame	1
3	703-3453	Drawbar	1
	777122785	Graphic, Transmission Release Lever	1
	777530265	Graphic, Transmission Oil	1
4	710-0602	Screw, Hex Wsh Hd Tapp 5/16-18 x 1.0	4
5	710-1260A	Screw, Hex Wsh Hd Tap 5/16-18 x .75	4
6	710-3261	Screw, Hex Cap, 3/8-16 x 7.0	1
7	712-04065	Nut, Hex Flange Lock, 3/8-16	1
8	712-04064	Nut, Hex Flange Lock, 1/4-20	2
9	726-0211	U-Nut, 5/16-18	6
10	732-0970	Belt Guide	1
11	732-3002	Spring, Latch	1
12	738-0255	Bolt, Shoulder	2
13	750-04198	Spacer, Idler, .411 x .720 x 3.67	2
14	756-3045	Pulley, Idler	2

Seat and Support



REF. NO.	PART NUMBER	DESCRIPTION	QTY.
1	703-05861A 777120310	Seat, Base Graphic, Seat Adjuster	1 1
2	703-05877	Bracket, LH Seat Pivot	1
3	703-05878	Bracket, RH Seat Pivot	1
4	703-2628	Bracket, Fender Reinforcement	2
5	710-0276	Bolt, Carriage, 5/16-18 x 1.0	6
6	712-04063	Nut, Hx Insert Flnge Lck, 5/16-18 GrF	12
7	731-3162A	Tray, Tool	1
8	732-04352	Spring, Compression	2
9	738-0140	Bolt, Shoulder	2
10	757-04042	Seat, High Back w/Arm Rests	1

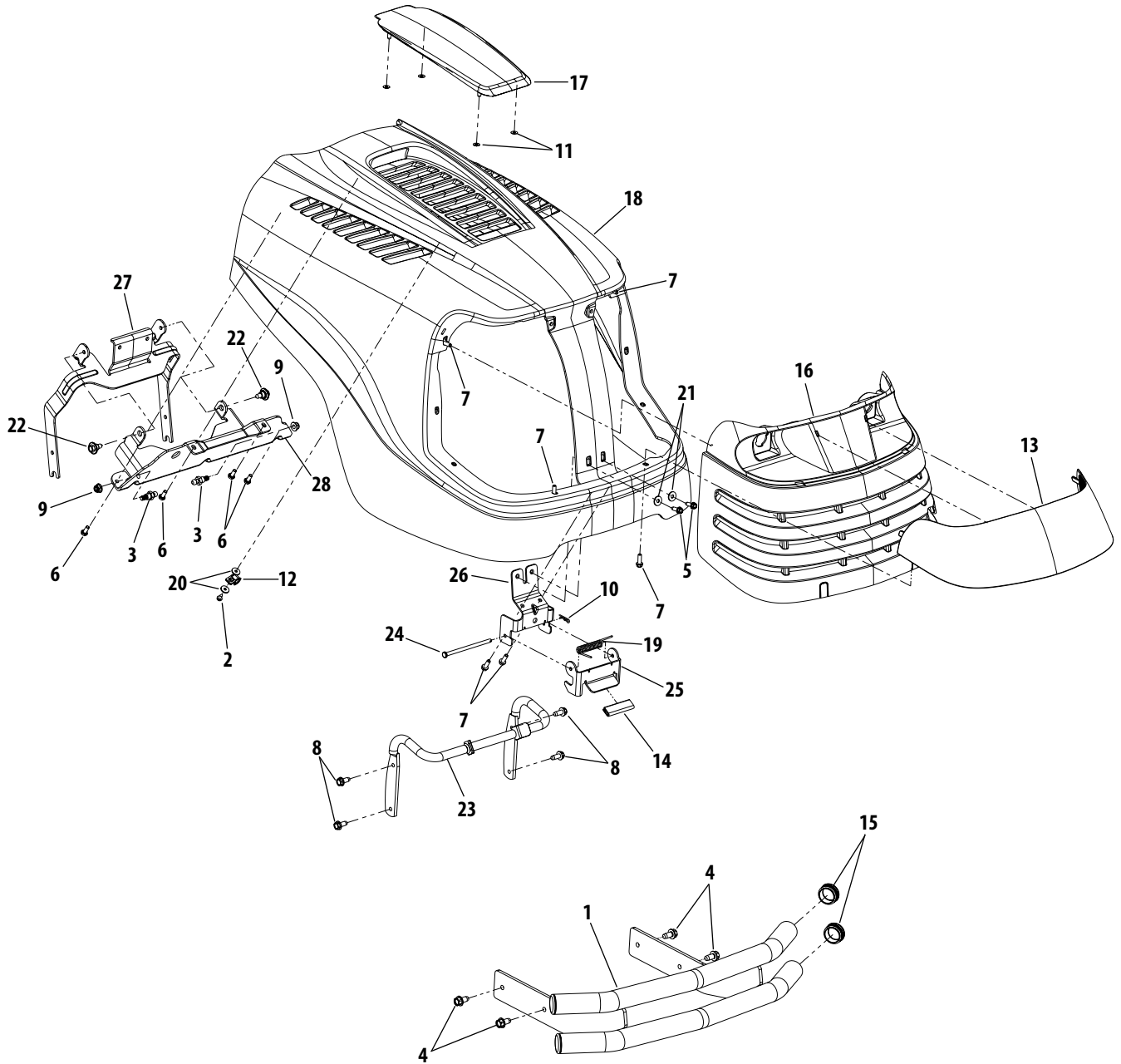
Fender and Running Board



Fender and Running Board

REF. NO.	PART NUMBER	DESCRIPTION	QTY.
1	703-05821	Running Board w/Graphic	1
	777S30170	Graphic, Warning	1
	777S32494	Graphic, Danger	1
	777I22604	Graphic, Maintenance	1
	777D12237	Graphic, Shaft Drive	1
2	703-05860	Fender	1
	777D10279	Graphic, Cub Cadet	1
3	710-3015	Screw, Hex Cap, 1/4-20 x .75 GR5	6
4	710-0895	Screw, 1/4-15 x.750	8
5	710-0602	Screw, Hex Wash Hd Tapp 5/16-18 x 1.0	4
6	712-04064	Nut, Hex Flange Lock, 1/4-20	6
7	726-0211	U-Nut, 5/16-18	4
8	731-05488	Cover, Fender RH	1
9	631-04206A	Cover, Fender LH	1
10	735-3046A	Pad, RH Foot	1
11	735-3047	Pad, LH Foot	1

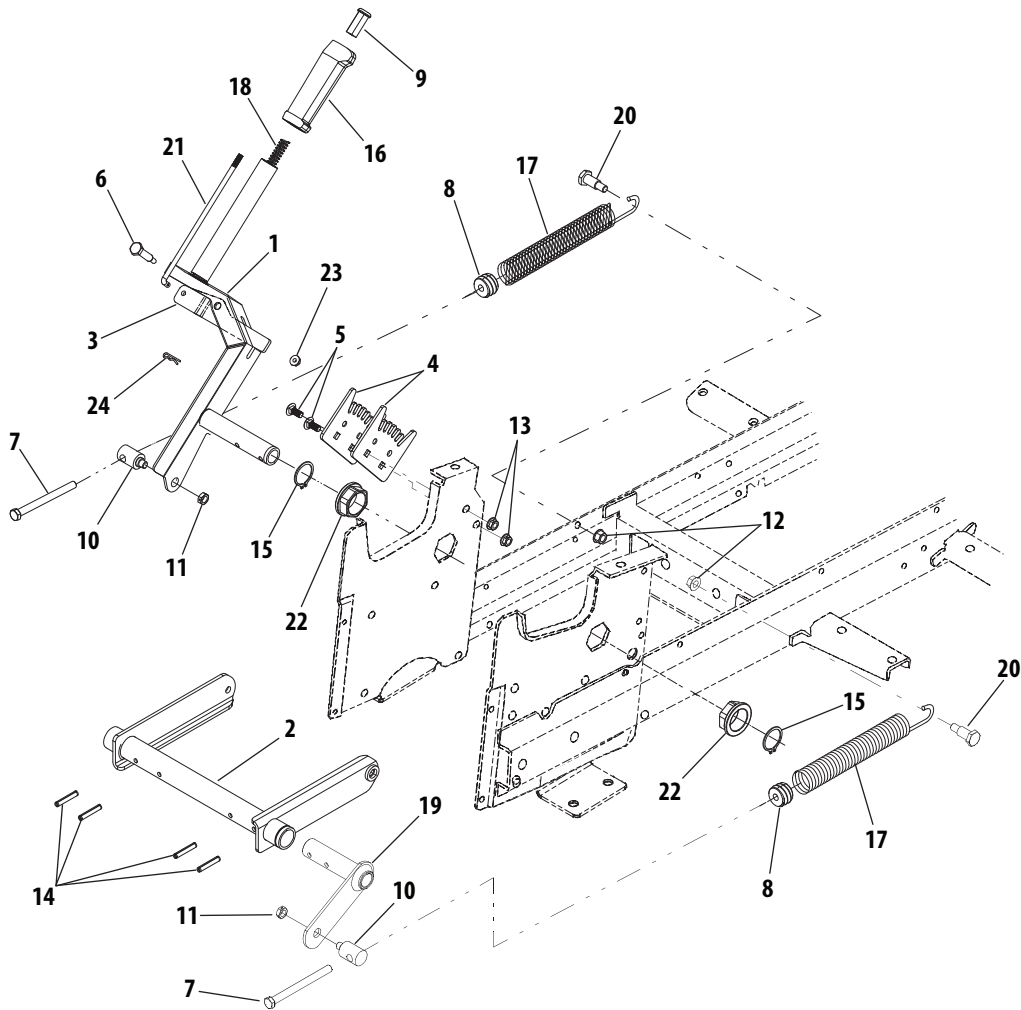
Hood, Grill and Bumper



Hood, Grill and Bumper

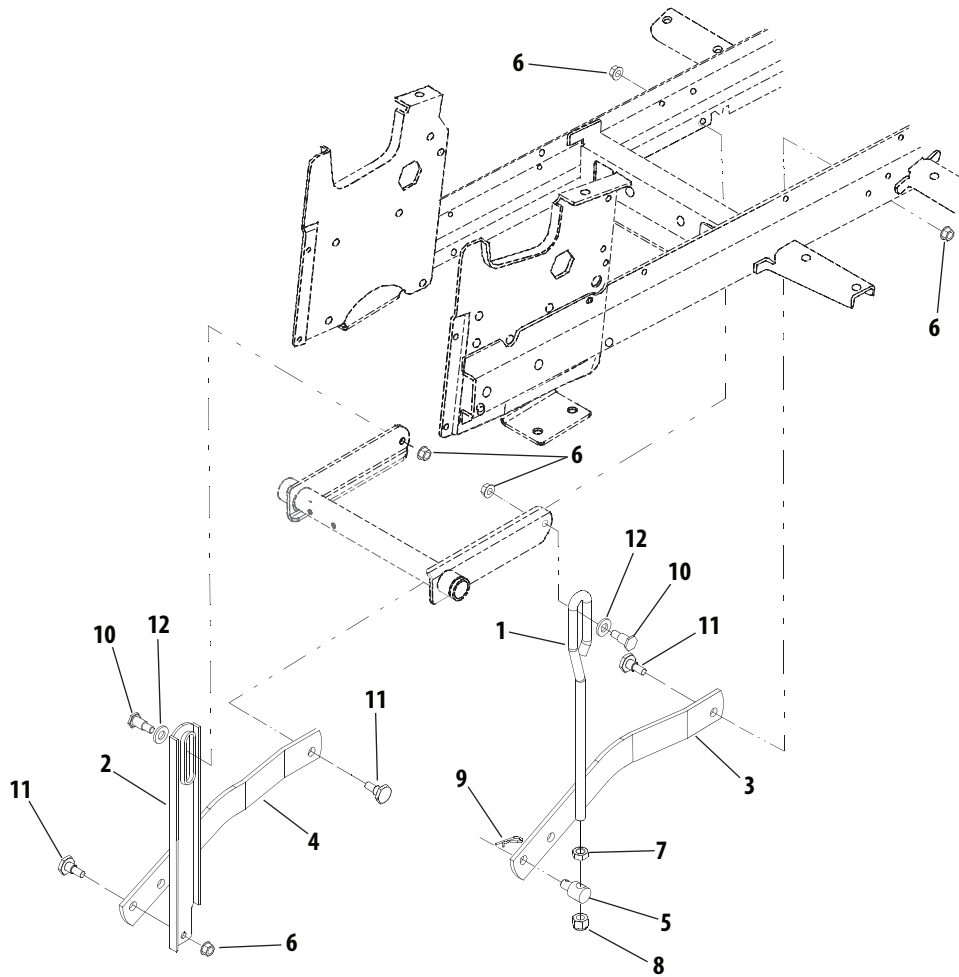
REF. NO.	PART NUMBER	DESCRIPTION	QTY.
1	603-04343	Bumper	1
2	710-0224	Screw, Hx Wash, Hd. AB, 10-16 x .5	1
3	710-04471	Screw, Ball Shoulder, 5/16-18 x.56	2
4	710-0623	Screw, Hx Washer Hd Tapp, 3/8-16 x.750	4
5	710-0642	Screw, Hx Washer Hd Tapp, 1/4-20 x .750	6
6	710-0751	Screw, Hex Cap, 1/4-20 x .62 Gr5	4
7	710-0895	Screw, 1/4-15 x.750	6
8	710-1260A	Screw, Hx Washer Hd Tapp, 5/16- 18 x.750	4
9	712-04063	Nut, Flange Lock, 5/16-18 GR5	2
10	714-0104	Pin, Cotter,.072 Dia. x 1.13	1
11	726-0233	Nut, Push, .25 ID x .50 OD	4
12	726-0272	Clamp, 9/16	1
13	731-05111	Lens	1
14	731-05291	Trim Strip, Vinyl, 2.5 Long	1
15	731-05368	Cap, Bumper	4
16	731-05510	Grill	1
	777X42027	Reflector, Headlight	1
17	731-06010	Cover, Hood	1
18	731-06011	Hood	1
	777D09638	Graphic, Cub Cadet RH	1
	777D09639	Graphic, Cub Cadet LH	1
	777D12244	Graphic, GT2550 LH	1
	777D12245	Graphic, GT2550 RH	1
19	732-04281A	Latch Spring	1
20	736-0400	Washer, Flat, .194 x .62 x .063	2
21	736-03090	Washer, Flat, .26 x .72 x .06	2
22	738-04091A	Screw, Shoulder, .43 x .29;TT:5/16-18	2
23	747-04423A	Hood Latch Rod	1
24	747-1323A	Rod,.250 Dia. x 4.55	1
25	783-04717A	Latch Pivot Bracket	1
26	783-04848	Latch Plate	1
27	783-05028	Hood Pivot Bracket	1
28	783-05029A	Pivot Bracket	1

Implement Lift Handle



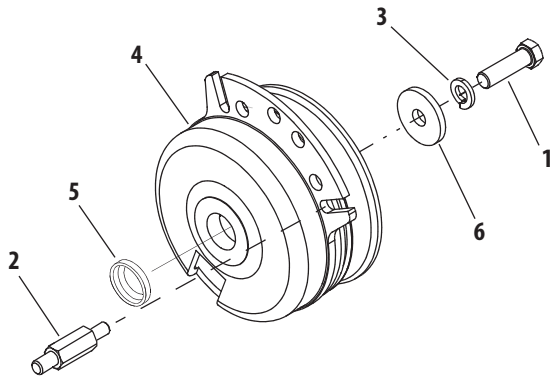
REF. NO.	PART NUMBER	DESCRIPTION	QTY.	REF. NO.	PART NUMBER	DESCRIPTION	QTY.
1	603-04141	Handle Assembly, Lift	1	13	712-04063	Nut, Hex Flanged Top Lock, 5/16-18	2
2	603-04140A	Shaft Assembly, Lift	1	14	715-0114	Pin, Spiral Spring, 1/4 Dia x 1.5	4
3	703-05247	Fork, Lift	1	15	716-0116	Ring, Snap, 1.25 Dia Shaft	2
4	703-2239A	Bracket, Lift Index	2	16	731-3158	Grip, Lift Handle	1
5	710-0451	Bolt, Carriage, 5/16-18 x .75	2	17	732-3093	Spring, Extension	2
6	738-0560	Screw, Shoulder, .374 x 1.375	1	18	732-3097	Spring, Compression	1
7	710-3279	Screw, Hex Cap, 3/8-16 x 4.25 GR5	2	19	603-04139	Arm, Lift Assist RH	1
8	711-0635	Insert, Spring	2	20	738-0145	Bolt, Shoulder	2
9	711-0642A	Button, Handle	1	21	747-3175A	Rod, Index	1
10	711-3350	Ferrule, Adjustment	2	22	748-3051	Bearing, Hex Flange, 1.25 ID	2
11	712-0262	Nut, Hex Center Lock, Jam, 3/8-24	2	23	712-04064	Nut, Hex Flange Lock, 1/4-20	1
12	712-0431	Nut, Hex Flanged Lock, 3/8-16	2	24	714-0104	Pin, Internal Cotter	1

Implement Lift Links



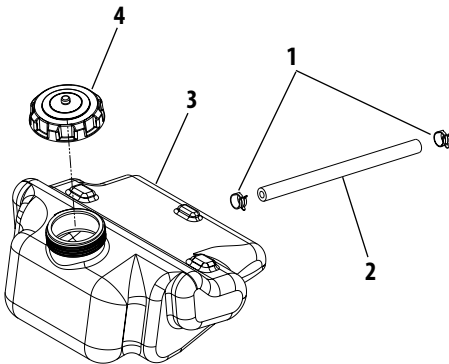
REF. NO.	PART NUMBER	DESCRIPTION	QTY.
1	747-04196	Rod, Lift Link	1
2	703-2234	Bracket, LH Hanger	1
3	703-2832	Link, RH Lift	1
4	703-2833	Link, LH Lift	1
5	711-3319	Ferrule, Adjustment	1
6	712-04065	Nut, Hex Flange Lock, 3/8-16	5
7	712-3048	Nut, Hex Jam, 1/2-13 GR5	1
8	712-3083	Nut, Hex Insert Lock, 1/2-13	1
9	714-0145	Pin, Internal Cotter	1
10	738-0430	Bolt, Shoulder	2
11	738-0507B	Bolt, Shoulder	3
12	736-0326	Washer, Flat, .51 x 1.0 x .125	2

PTO Pulley



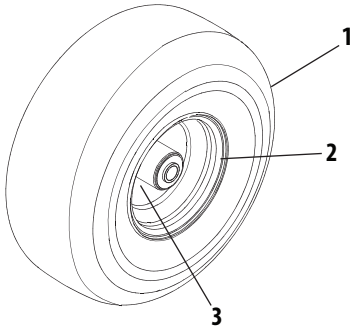
REF. NO.	PART NUMBER	DESCRIPTION	QTY.
1	710-0757	Screw, Hex Cap, 7/16-20 x 1.5 GR5	1
2	711-1083	Stud, Clutch Stop	1
3	736-0171	Washer, Lock, 3/8	1
4	717-04214	Clutch Assy, PTO	1
5	750-04602	Spacer, 1.0 x 1.62 x .21	1
6	736-3082A	Washer, Flat, .445 x 1.5 x 1.72 Hdn	1

Fuel Tank



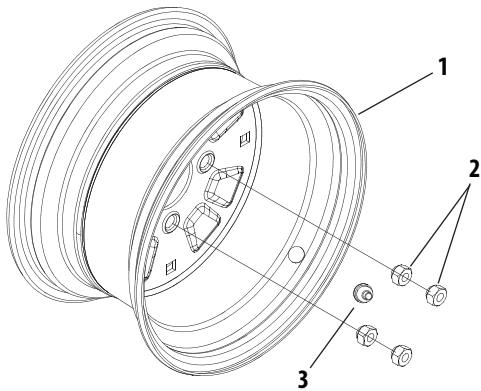
REF. NO.	PART NUMBER	DESCRIPTION	QTY.
1	726-0205	Clamp, Hose	2
2	751-10349-54	Line, Fuel, 51"	1
3	751-3112B	Tank, Fuel	1
4	751-3124D	Cap, Fuel	1

Front Wheel



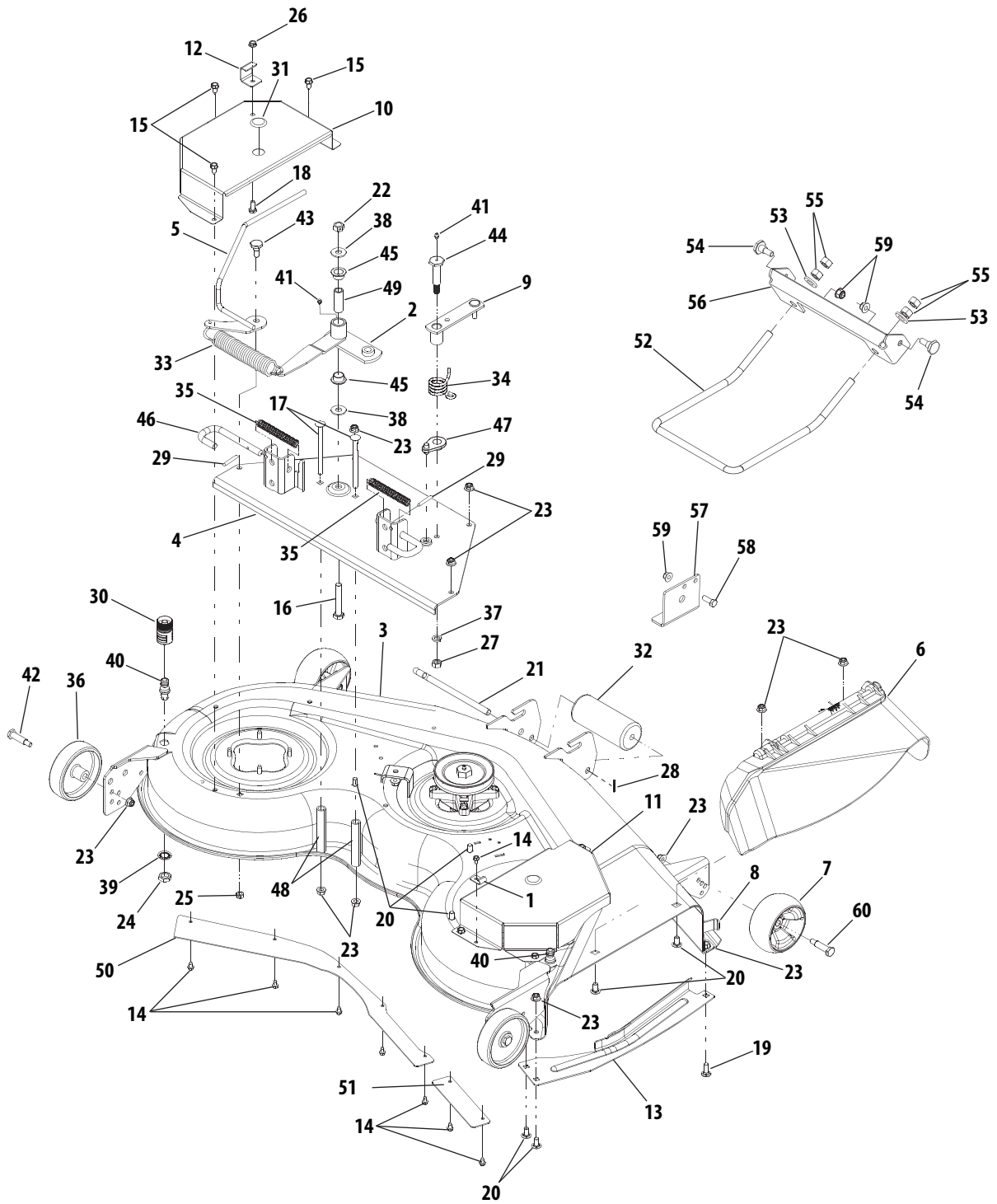
REF. NO.	PART NUMBER	DESCRIPTION	QTY.
1	734-3187A	Tire, Cub Tread, 16 x 6.5 x 8	2
2	634-04090A	Rim Assy, Front	2
	734-0255	Valve, Tubeless Air	2
	741-04137	Bearing, Ball	4
3	737-0224	Fitting, Grease (Not Seen)	4

Rear Wheel



REF. NO.	PART NUMBER	DESCRIPTION	QTY.
	734-3190A	Tire, Cub Tread, 23 x 9.5 x 12	2
1	634-3189	Rim Assy, Rear	2
2	712-3050	Nut, Lug, 7/16-14	8
3	734-0255	Valve, Tubeless Air	2

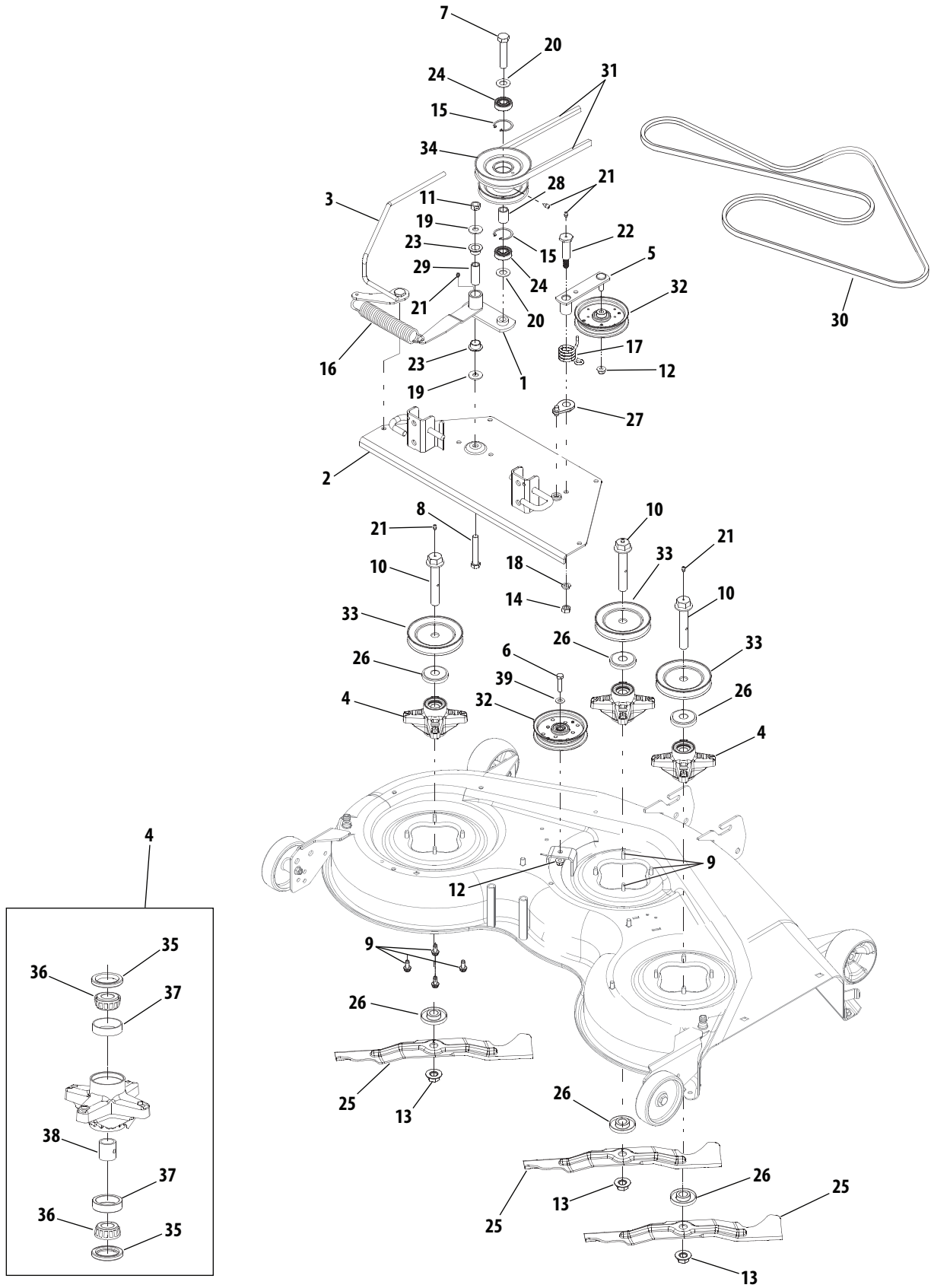
50" Mower Deck



50" Mower Deck

REF. NO.	PART NUMBER	DESCRIPTION	QTY.	REF. NO.	PART NUMBER	DESCRIPTION	QTY.
1	16606	Hook, Retainer	1	27	712-3019	Nut, Hex, 7/16-14 GR2	1
2	603-04094	Arm, Idler	1	28	714-3004	Pin, Cotter, 3/32 Dia x 1.25	1
3	603-04215B	Deck Assembly	1	29	715-3003	Pin, Spirol, 3/16 x .75	2
	777S30014	Graphic, Caution Spring Tension	1	30	721-04041	Adapter, Water Nozzle	1
	777S30015	Graphic, Rider Danger	1	31	726-3045	Plug, Button	2
	777S30503	Graphic, Danger	1	32	731-05679	Roller, Front	1
	777I22485	Graphic, Belt Routing	1	33	732-0861	Spring, Extension, 1.25 OD x 7.2	1
	777D11622	Graphic, 50" Cut	1	34	732-3067	Spring, Torsion	1
	777D10624	Graphic, Deck Wash	1	35	732-3127	Spring, Compression	2
4	603-04223	Plate Assembly, Deck Mounting	1	36	734-0973	Wheel, Gauge	2
5	603-04267	Handle, Tension	1	37	736-0171	Washer, Lock, 7/16	1
6	631-04070A	Chute Assembly	1	38	736-0179	Washer, Flat, .5 x 1.25 x .1	2
	711-04565	Pin, Hinge, .375 Dia x 14.06	1	39	736-0225	Washer, Lock	2
	732-04372	Spring, Torsion	1	40	737-04003B	Nozzle, Deck Water	2
	783-05030	Bracket, Mounting	1	41	737-3000	Fitting, Lube, 3/16 Drive	2
	777S30284	Graphic, Danger	1	42	738-0373	Bolt, Shoulder, .498 x 1.53:3/8-16	2
7	734-04155	Wheel, Gauge Ball	2	43	738-0507B	Bolt, Shoulder, .500 Dia x .434	1
8	703-3279	Bracket, Chute Deflector Stop	1	44	738-3172	Bolt, Shoulder, .68 x 2.11:7/16-14	1
9	703-0118	Arm, Idler	1	45	741-0338	Bearing, Flange	2
10	703-05546	Shield, Spindle LH	1	46	747-3188	Pin, Mower Support	2
11	703-05556	Shield, Spindle RH	1	47	748-3100	Retainer, Spring	1
12	703-2559	Bracket, Handle Stop	1	48	750-04395	Spacer, .405 x .75 x 4.312	2
13	703-3511	Guard, Finger	1	49	750-3136	Spacer, .5 x .75 x 2.07	1
14	710-0599	Screw, Hex Wash. Hd Tapp, 1/4-20 x .5	8	50	783-04414A	Skirt, Center	1
15	710-0726	Screw, Hex Wash. Hd Tapp, 5/16-12 x .75	6	51	783-04415	Skirt, RH	1
16	710-1010	Screw, Hex Cap, 1/2-20 x 3.0 GR8	1	52	747-3172C	Rod, Front Lift	1
17	710-1644	Screw, Carriage, 3/8-16 x 5.0 GR5	2	53	736-3019	Washer, Flat, .531 x 1.062 x .134 HT	3
18	710-3008	Screw, Cap, 5/16-18x .75 GR5	1	54	738-0507B	Bolt, Shoulder, .50 Dia. x .494 Lg	2
19	710-3168	Bolt, Carriage, 3/8-16 x 1.0 GR5	1	55	712-0206	Nut, Hex, 1/2-13 Gr5	2
20	710-3178	Bolt, Carriage, 3/8-16 x .75 GR5	7	56	703-2248	Bracket, Front Lift	1
21	711-3314	Pin, Roller, 1/2 Dia x 7.31	1	57	703-05902	Bracket, Up-Stop	1
22	712-0239	Nut, Hex Lock, 1/2-20	1	58	710-0514	Screw, Hex Cap, 3/8-16 x 1.0 Gr5	1
23	712-0431	Nut, Hex Flange Lock, 3/8-16 GRF	16	59	712-04065	Nut, Flange Lock, 3/8-16 GrF	1
24	712-0641	Nut, Hex M16-1.5	2	60	738-3056	Bolt, Shoulder, .496 x 2.5:3/8-16	2
25	712-3000	Nut, Hex Ctr. Lock, 3/8-16 GRB	1				
26	712-3004A	Nut, Hex Flange Lock, 5/16-18 GR5	1				

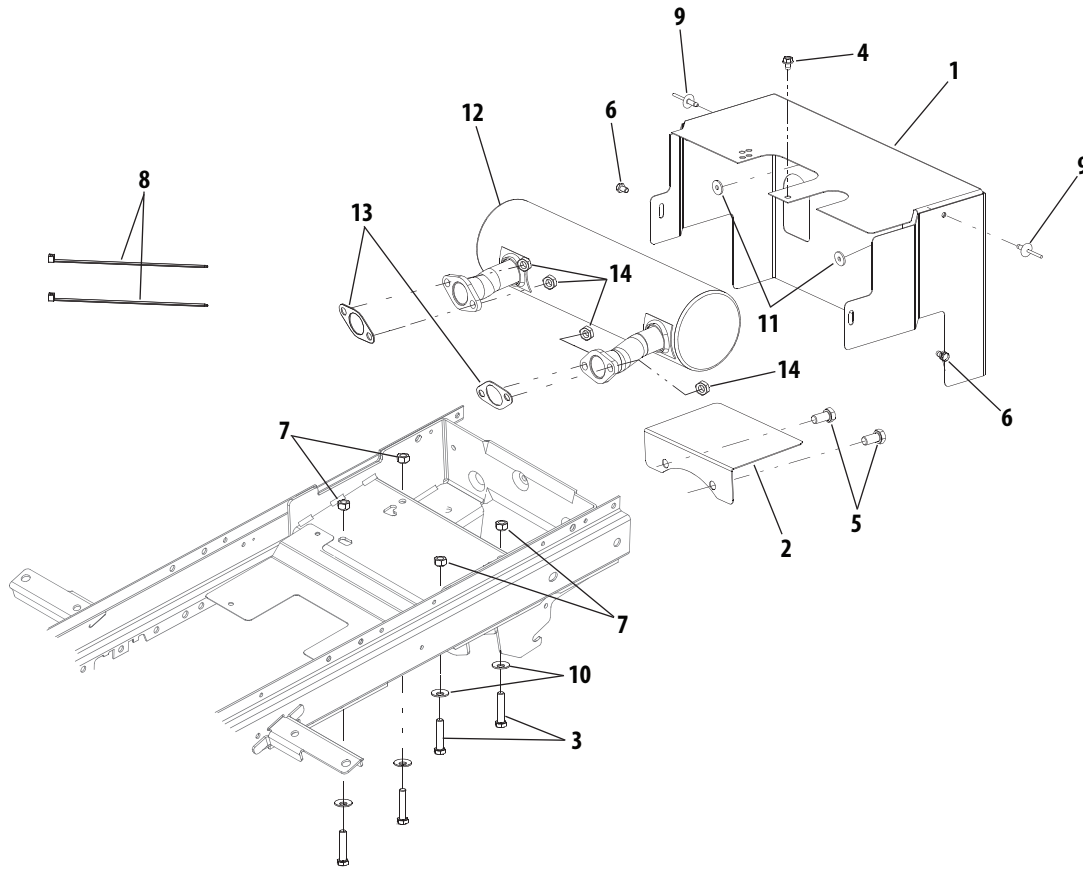
50" Deck Drive and Spindle Assembly



50" Deck Drive and Spindle Assembly

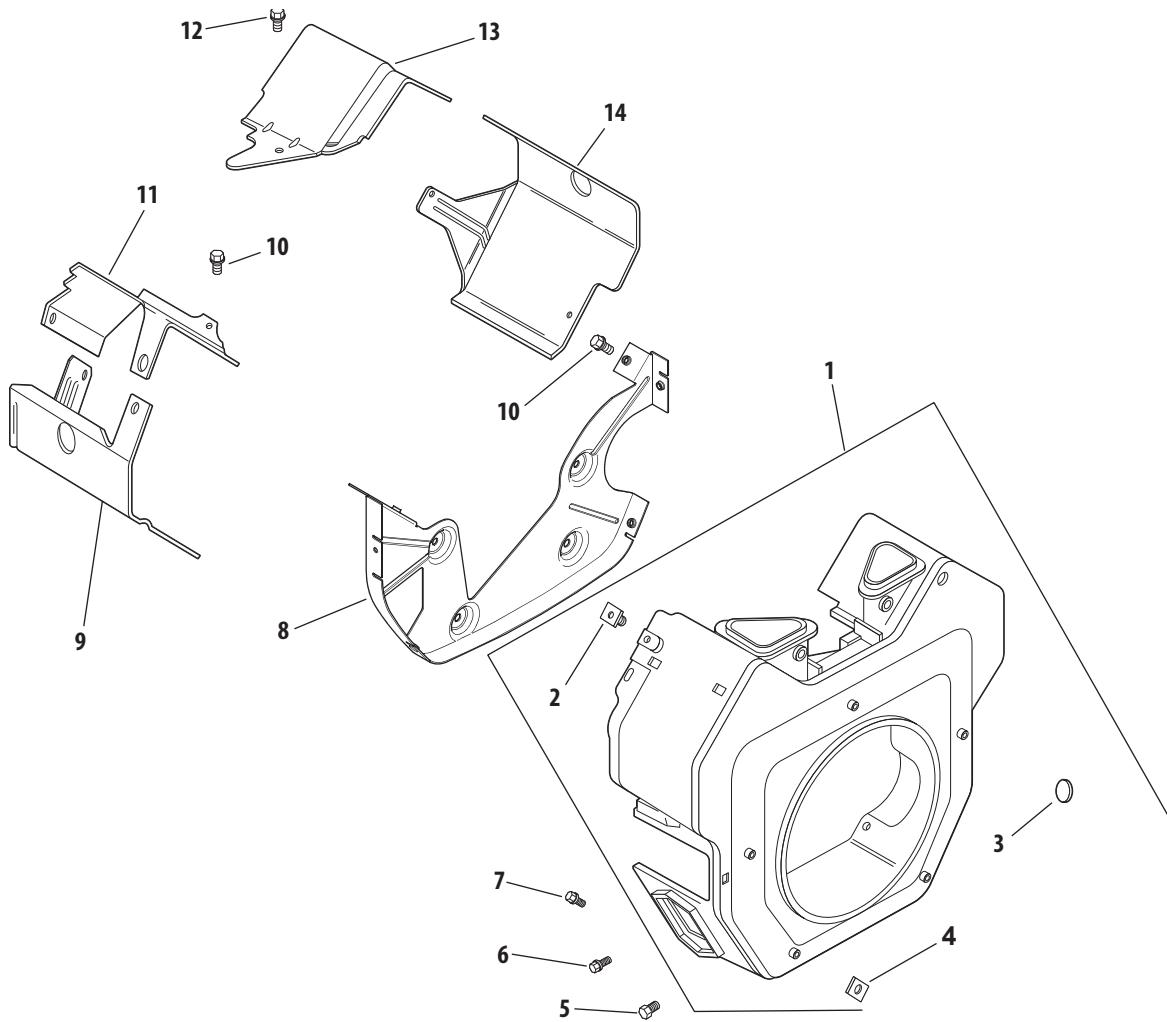
REF. NO.	PART NUMBER	DESCRIPTION	QTY.
1	603-04094	Arm, Idler	1
2	603-04223	Plate Assembly, Deck Mounting	1
3	603-04267	Handle, Tension	1
4	918-3129C	Spindle Ass'y, Incl. Ref. Nos. 35 thru 38	3
5	703-0118	Arm, Idler	1
6	710-0520	Screw, Hex Cap, 3/8-16 x 1.5 GR5	1
7	710-0923	Screw, Hex Cap, 5/8-18 x 3 GR5	1
8	710-1010	Screw, Hex Cap, 1/2-20 x 3 GR8	1
9	710-1260A	Screw, Hex Wash. Hd. Tapp, 5/16-18 x .75	12
10	710-1336A	Bolt, Spindle, 3/4-16 x 4.25	3
11	712-0239	Nut, Hex Center Lock, 1/2-20	1
12	712-0431	Nut, Hex Flanged Lock, 3/8-16	2
13	712-3078	Nut, Hex Flange, 3/4-16	3
14	712-3019	Nut, Hex, 7/16-14 GR2	1
15	716-3020	Snap Ring, Internal	2
16	732-0861	Spring, Extension, 1.25 OD x 8.15	1
17	732-3067	Spring, Torsion	1
18	736-0171	Washer, Lock, 7/16	1
19	736-0179	Washer, Flat, .5 x 1.25 x .1	2
20	736-0237	Washer, Flat, .65 x 1.25 x .075	2
21	737-3000	Fitting, 3/16 Drive Lube	6
22	738-3172	Bolt, Shoulder, .68 x 2.11:7/ 16-14	1
23	741-0338	Bearing, Flange	2
24	741-1122	Bearing, Ball, .62 x 1.57 x .470	2
25	759-04047	Blade, 2 in 1, 17.9"	3
26	748-3065A	Spacer, Deck Spindle	6
27	748-3100	Retainer, Spring	1
28	750-3132	Spacer, Pulley, .635 ID x .88 OD x 1.25	1
29	750-3136	Spacer, Idlr Brkt, .51 ID x .75 OD x 2.07	1
30	754-04047	Belt, Spindle, A-Section x 114.13"	1
31	754-04055	Belt, PTO, B-Section x 111.4"	1
32	756-04129	Pulley, Flat Idler, 4.25 OD	2
33	756-3096	V-Pulley	3
34	756-3115	Pulley, Double	1
	737-3000	Fitting, Lube	1
35	721-3018A	Seal, Oil, 1.25 x 1.874 x .25	6
36	741-04129	Bearing, Cone	6
37	741-04130	Cup, Bearing	6
38	750-04409	Spacer, Bearing	3
39	736-3050	Washer, Flat, .406 x .812 x .051	1

Engine Mounting and Muffler



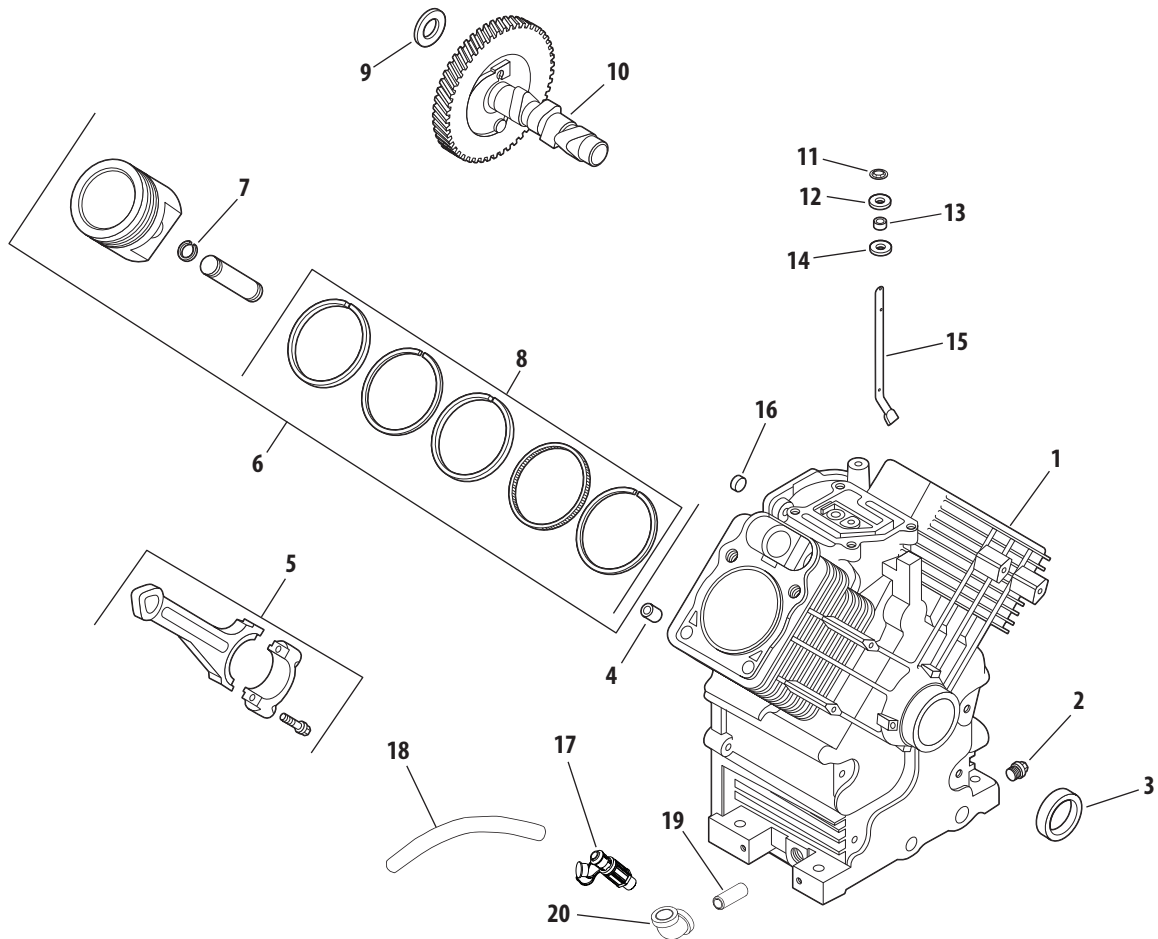
REF. NO.	PART NUMBER	DESCRIPTION	QTY.
1	703-05875C	Shield, Heat	1
2	703-05883	Shield, Clutch	1
3	710-0539	Bolt, Eng Mount, 3/8-24 x 1.75 GR5	4
4	710-0653	Screw, Hx Wsh Hd Tapp, 1/4-20 x .375	1
5	710-3119	Screw, Hx Cap Lock, 3/8-16 x .75 Gr5	2
6	710-3209	Screw, Hex Cap, M6 x 1 x 10	2
7	712-3054	Nut, Hex Lock, 3/8-24	4
8	725-0157	Tie, Cable	2
9	728-0177	Rivet, Pop, 3/16 x .45	2
10	736-0105	Washer, Bell, .380 x .88 x .062	4
11	736-0400	Washer, Flat, .194 x .62 x .063	2
12	751-10249A	Muffler Assembly	1
13	721-0377A	Gasket, Exhaust	2
14	712-3086	Nut, Hex Flange	4

Blower Housing and Baffles



REF. NO.	PART NUMBER	DESCRIPTION	QTY.
1	KH-24-027-175-S	Housing, Blower (Incl. Ref #2-4)	1
2	KH-24-100-02-S	Nut, Plastic	2
3	KH-25-139-16	Plug, Button, 9/16	1
4	KH-24-100-01	Nut, Plastic	3
5	KH-M-561016-S	Screw, Hex Flange, M5 x 0.8 x 16	1
6	KH-M-545016-S	Screw, Hex Flange, M5 x 0.8 x 16	3
7	KH-M-545020-S	Screw, Hex Flange, M5 x 0.8 x 20	4
8	KH-24-146-55-S	Plate, Backing	1
9	KH-24-063-88-S	Baffle, Cylinder Barrel - #2 Side	1
10	KH-M-645016-S	Screw, Hex Flange, M6 x 1.0 x 16	6
11	KH-24-063-70-S	Baffle, Valley - #2 Side	1
12	KH-M-0545010	Screw, Hex Flange, M5 x 0.8 x 10	2
13	KH-24-063-59-S	Baffle, Valley - #1 Side	1
14	KH-24-063-85-S	Baffle, Cylinder Barrel - #1 Side	1
Not Illustrated			
	KH-24-154-11-S	Clip, Speed Nut	1
	KH-41-037-10-S	Nameplate, Service	1

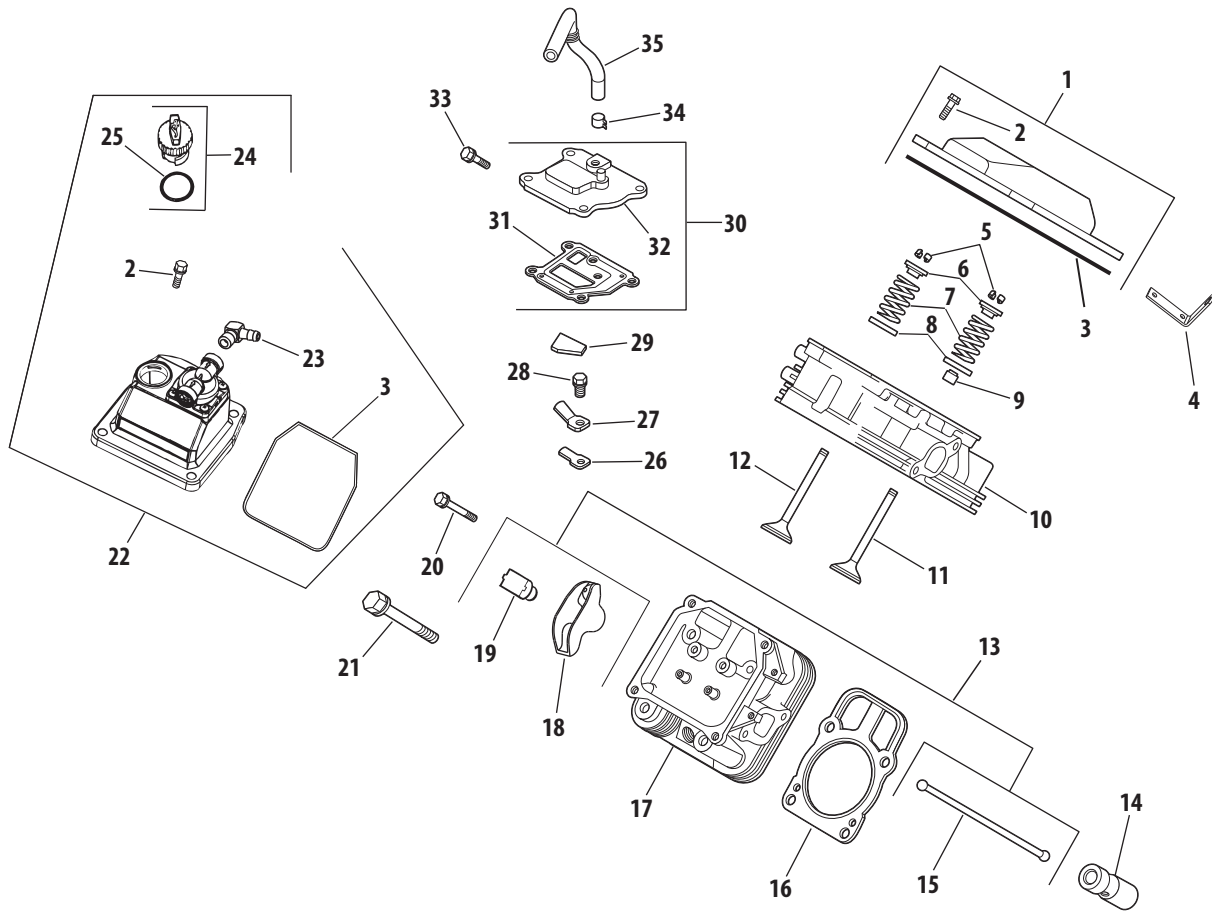
Crankcase



REF. NO.	PART NUMBER	DESCRIPTION	QTY.
	KH-CH670-0011	Complete Engine	1
	KH-24-522-422	Short Block	1
	KH-24-755-108-S	Gasket Set	1
1	KH-24-782-27	Crankcase, (Use Miniblock)	1
2	KH-25-139-57-S	Plug, Hex Hd, 3/8	2
3	KH-24-032-19-S	Seal, Front Oil	1
4	KH-24-380-16-S	Pin, Locating Dowel	6
5	KH-24-067-24-S	Rod, Connecting, Std	2
	KH-24-067-17-S	Rod, Connection, .010 / .25mm	2
6	KH-24-874-34-S	Piston w/Ring Set, Std	2
	KH-24-874-10	Piston w/Ring Set, .010 / .25mm	2
	KH-24-874-11	Piston w/Ring Set, .020 / .50mm	2
	KH-24-874-15	Piston w/Ring Set, .08mm	2
7	KH-24-018-01-S	Retainer, Piston Pin	4
8	KH-24-108-08-S	Ring Set, Std., .08	2
	KH-24-108-09-S	Ring Set, .010 / .25mm	2
	KH-24-108-10-S	Ring Set, .020 / .50mm	2
9	KH-24-012-10-S	Camshaft Assembly	1

REF. NO.	PART NUMBER	DESCRIPTION	QTY.
10	KH-12-422-09-S	Shim, Camshaft, .0320 (Red)	AR
	KH-12-422-13-S	Shim, Camshaft, .0400 (Black)	AR
	KH-12-422-07-S	Shim, Camshaft, .0280 (White)	AR
	KH-12-422-08-S	Shim, Camshaft, .0300 (Blue)	AR
	KH-12-422-10-S	Shim, Camshaft, .0340 (Yellow)	AR
	KH-12-422-11-S	Shim, Camshaft, .0360 (Green)	AR
	KH-12-422-12-S	Shim, Camshaft, .0380 (Gray)	AR
11	KH-24-018-09-S	Ring, Retainer	1
12	KH-M-931010-S	Washer, Nylon	1
13	KH-28-032-09-S	Seal, Governor Cross Shaft	1
14	KH-24-468-15-S	Washer, Plain	1
15	KH-24-144-38-S	Shaft, Governor Cross	1
16	KH-52-139-09-S	Plug, Cup	1
17	751-10517	Drain, Oil	1
18	751-3141-12	Hose, Oil Drain	1
19	737-0199	Pipe, Straight, 3/8 NPT x 2.0	1
20	737-0272	Elbow, 90 Degree	1

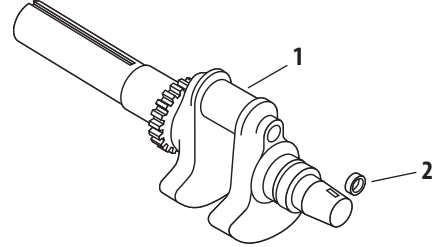
Cylinder Head, Valves and Breather



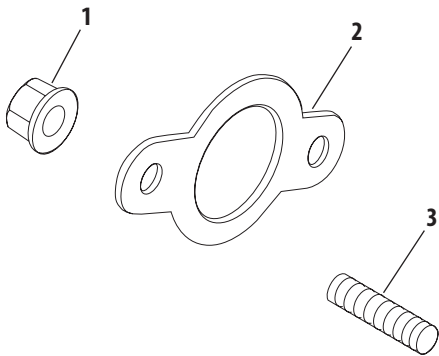
REF. NO.	PART NUMBER	DESCRIPTION	QTY.	REF. NO.	PART NUMBER	DESCRIPTION	QTY.
1	KH-24-755-141-S	Kit, Valve Cover (Includes 2-3)	1	19	KH-24-599-02	Pivot, Rocker Arm	4
2	KH-M-651030-S	Screw, Hex Flng, M6 x1.0 x 30	8	20	KH-M-640034-S	Screw, Hex Flng, M6 x 1.0 x 34	4
3	KH-24-153-30-S	O-Ring, Valve Cover	2	21	KH-12-086-16	Screw, Hex Flng, M10 x 1.5 x 90	8
4	KH-24-445-01	Strap, Lifting	1	22	KH-24-559-10-S	Kit, Fuel Pump Valve Cover	1
5	KH-12-755-03	Kit, Retainer	4	23	KH-25-294-11-S	Fitting, 90°	2
6	KH-12-173-01	Cap, Valve Spring	4	25	KH-24-227-02-S	Cap Assembly, Oil Fill (Incl. 26)	1
7	KH-24-089-02	Spring, Valve	4	26	KH-24-153-09	O-Ring	1
8	KH-235011-S	Retainer, Spring	4	27	KH-24-402-03	Reed, Breather	1
9	KH-66-032-05-S	Seal, Valve Stem	2	28	KH-66-018-04-S	Retainer, Breather Reed	1
10	KH-24-318-68-S	Head Assembly, #1 Cylinder	1	29	KH-M-0545010	Screw, Hex Flng, M5 x 0.8 x 10	1
11	KH-24-017-01	Valve, Intake Std	2	30	KH-24-050-11-S	Filter, Breather	1
	KH-24-017-02	Valve, Intake, .25mm	2	31	KH-24-033-01	Kit, Breather (Includes 32-34)	1
12	KH-24-016-01	Valve, Exhaust Std	2	32	KH-24-041-51-S	Gasket, Breather	1
	KH-24-016-02	Valve, Exhaust, .25mm	2	33	KH-24-096-86-S	Cover, Breather	1
13	KH-24-755-66	Kit, Valve Train (Incl. 15,18,19)	1	34	KH-M-645020-S	Screw, Hex Flng M6 x 1.0 x 20	4
14	KH-25-351-04-S	Lifter, Valve	4	35	KH-25-237-14-S	Clamp, Breather	1
15	KH-24-411-05	Rod, Push	4	36	KH-24-326-89-S	Hose, Breather	1
16	KH-24-841-02-S	Kit, Cyl. Hd. Gasket (Includes 21)	2		KH-24-755-147-S	Kit, Cylinder Head, Includes Ref. Nos. 5-9, 11, 12, 15, 18-20	1
17	KH-24-318-71-S	Head Assembly, #2 Cylinder	1				
18	KH-25-186-01	Arm, Rocker	4				

Crankshaft

REF. NO.	PART NUMBER	DESCRIPTION	QTY.
1	KH-24-014-84-S	Crankshaft (Incl. Ref #2)	1
2	KH-52-139-09-S	Plug, Cup	1

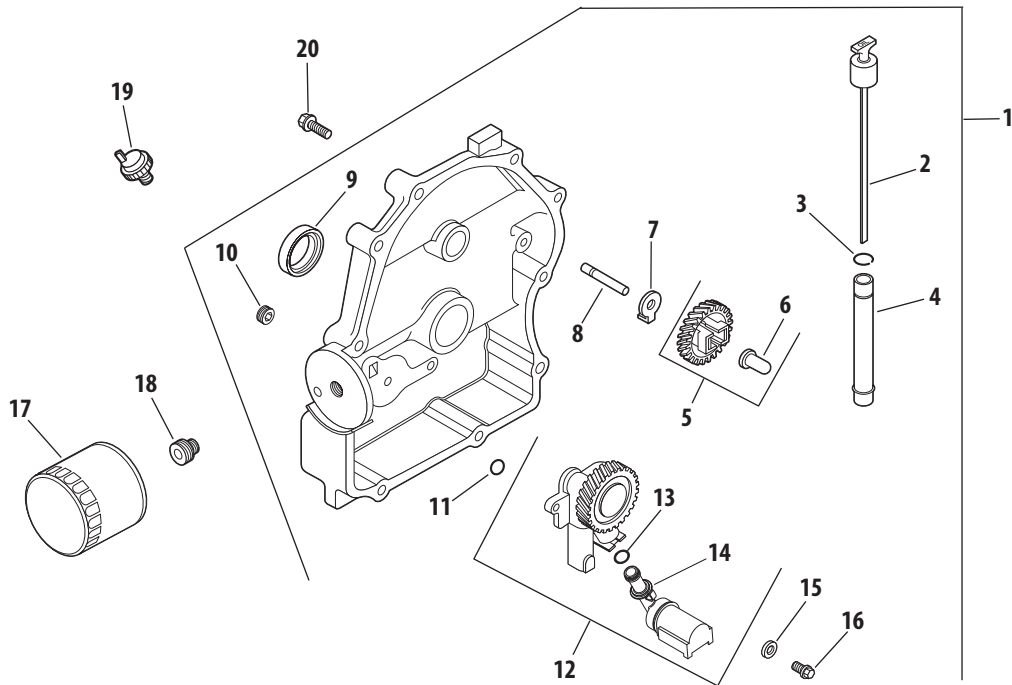


Exhaust



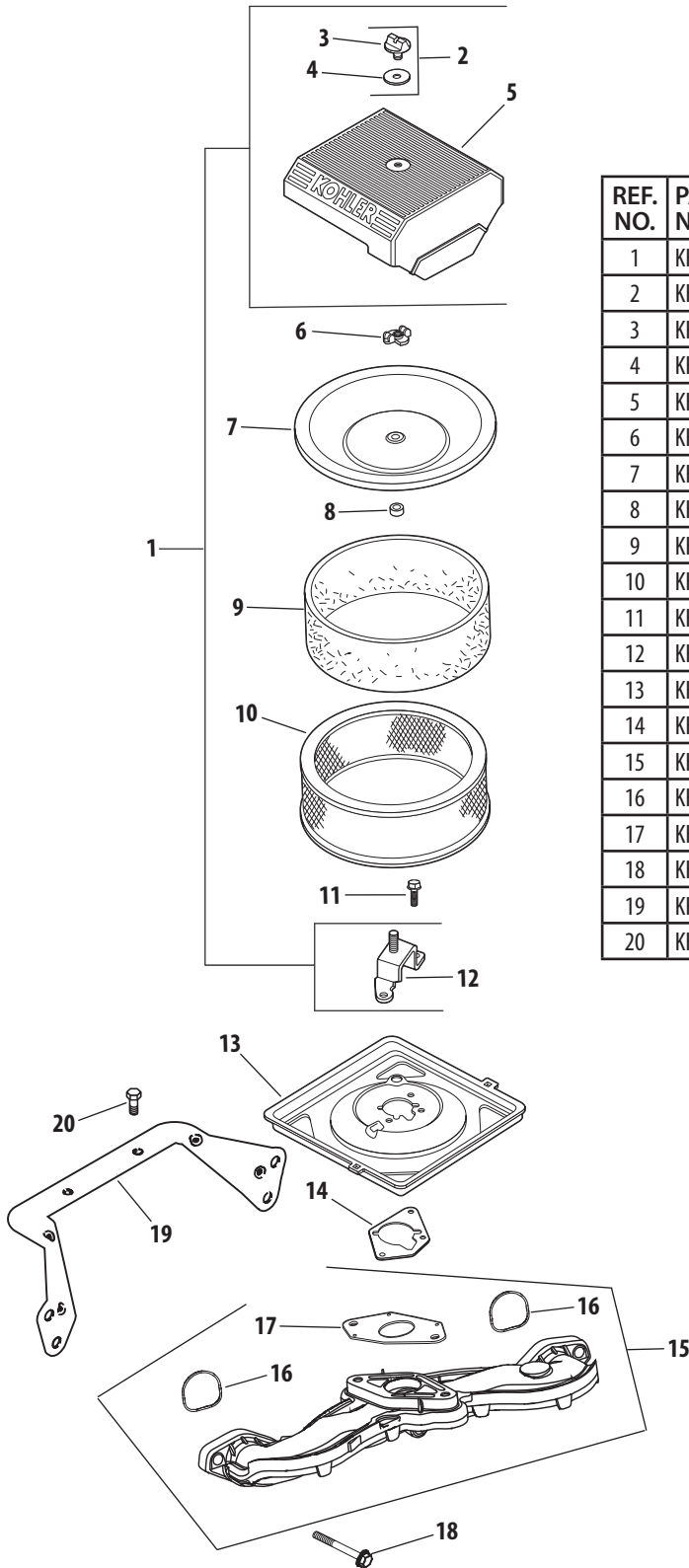
REF. NO.	PART NUMBER	DESCRIPTION	QTY.
1	712-3086	Nut, Muffler Mounting, M8 x 1.25	4
2	721-0377A	Gasket, Exhaust	2
3	KH-25-072-14-S	Stud, Exhaust, M8 x 1.25 x 33	4

Oil Pan and Lubrication



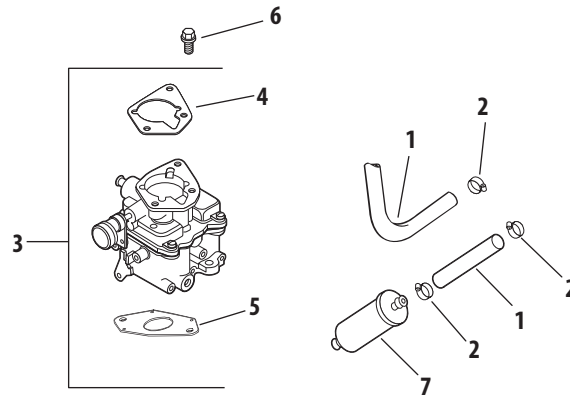
REF. NO.	PART NUMBER	DESCRIPTION	QTY.
1	KH-24-009-98-S	Plate Assy, Closure (Incl. Ref #2-15)	1
2	KH-24-038-08-S	Dipstick	1
3	KH-41-153-01	O-Ring	1
4	KH-24-123-11-S	Tube, Oil Fill/Dipstick	1
5	KH-24-043-12	Kit, Governor Gear (Incl. Ref #6)	1
6	KH-12-380-01	Pin, Governor Regulating	1
7	KH-24-448-02-S	Tab, Locking	1
8	KH-12-144-02	Shaft, Governor Gear	1
9	KH-25-032-06-S	Seal, Oil (PTO end)	1
10	KH-25-139-60-S	Plug, Pipe 1/8	1
11	KH-24-153-08	O-Ring	1
12	KH-24-393-51-S	Oil Pump Assy (Incl. Ref #13-14)	1
13	KH-24-153-01	O-Ring, Oil Pick-up	1
14	KH-24-381-04	Pick-up, Oil	1
15	KH-M-0631005	Washer, Plain	2
16	KH-M-645025-S	Screw, Hex Flange, M6 x 1.0 x 25	2
17	KH-12-050-01-S	Filter, Oil	1
18	KH-24-136-01	Nipple, Oil Filter	1
19	KH-25-099-27-S	Switch, Pressure	1
20	KH-24-086-17-S	Screw, Hex Flange, M8 x 1.25 x 45	1

Air Intake and Filtration



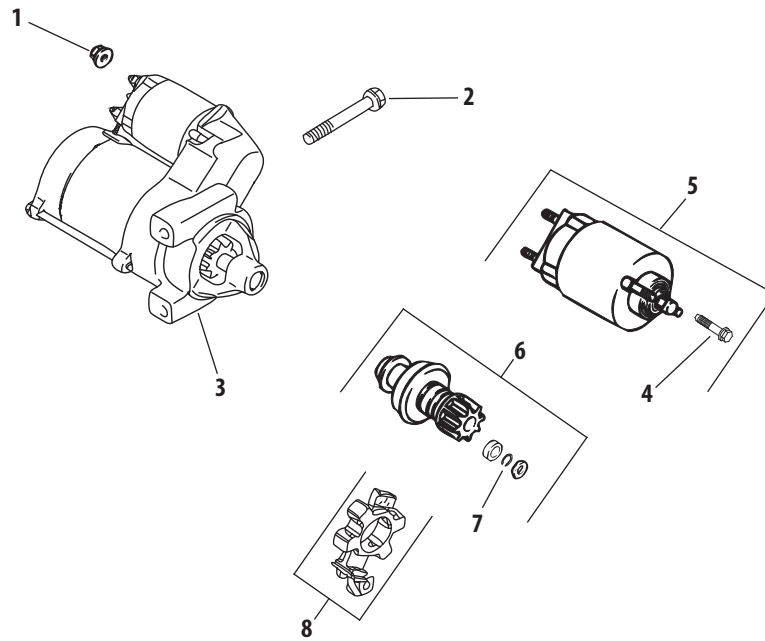
REF. NO.	PART NUMBER	DESCRIPTION	QTY.
1	KH-24-743-08	Kit, Air Cleaner Cover (Incl. 2-5, 12)	1
2	KH-54-755-01-S	Kit, Knob w/Seal (Incl. Ref #2,3)	1
3	KH-25-341-04-S	Knob, Cover	1
4	KH-24-153-20-S	Seal, Air Cleaner Cover Knob	1
5	KH-24-096-69-S	Cover, Air Cleaner	1
6	KH-12-100-01	Wing Nut	1
7	KH-24-096-01	Cover, Inner Air Cleaner	1
8	KH-24-032-03	Seal, Inner Air Cleaner	1
9	KH-47-883-03-S1	Precleaner, Element - Includes Ref. 10	1
10	KH-47-883-03-S1	Element, Air Cleaner - Includes Ref. 9	1
11	KH-24-086-53-S	Screw, Hex Flng, M6 x 1.0 x 16	2
12	KH-24-126-21	Bracket, Air Cleaner Base	1
13	KH-24-094-39-S	Base, Air Cleaner	1
14	KH-24-041-06	Gasket, Air Cleaner Base	1
15	KH-24-164-54-S	Manifold, Intake (Includes 16,17)	1
16	KH-24-153-27-S	O-Ring, Intake Manifold	2
17	KH-24-041-53-S	Gasket, Carburetor	1
18	KH-M-651040-S	Screw, Hex Flange, M6 x 1.0 x 40	4
19	KH-24-126-130-S	Bracket, Air Cleaner Base	1
20	KH-M-0545010	Screw, Hex Flange, M5 x .8 x10	2

Fuel System



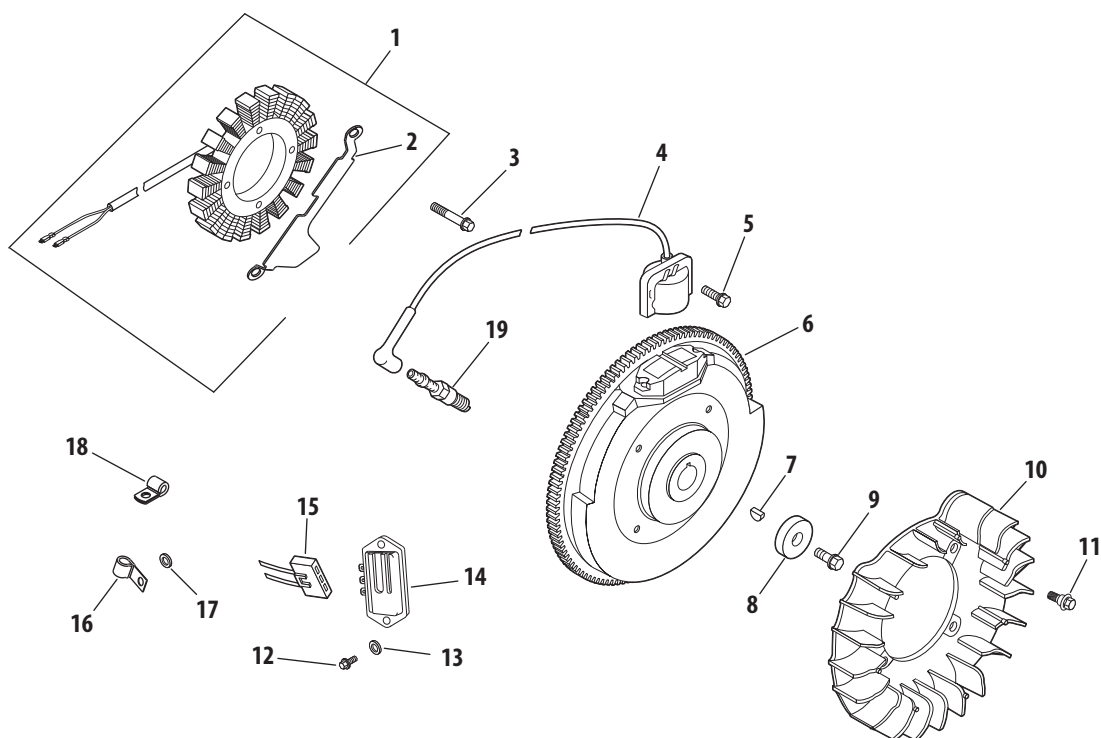
REF. NO.	PART NUMBER	DESCRIPTION	QTY.
1	KH-25-111-34-S	Line, Fuel (24" - Cut to Length)	2
2	KH-25-237-14-S	Clamp, Hose	4
3	KH-24-853-59-S	Kit, Carburetor w/Gasket (Includes 2,3)	1
4	KH-24-041-06	Gasket, Air Cleaner Base	1
5	KH-24-041-17-S	Gasket, Carburetor	1
6	KH-25-086-124-S	Screw, Hex Flange, M6 x 1.0 x 25	2
7	KH-24-050-13-S	Filter, Fuel	1
Not Illustrated			
	KH-24-518-24-S	Lead, Ground	1
	KH-24-757-01	Kit, Solenoid	1
	KH-24-757-02-S	Kit, Float Repair	1
	KH-24-757-03-S	Kit, Carburetor Repair	1
	KH-24-757-07	Kit, Choke Repair	1
	KH-24-755-125-S	Kit, High Altitude	1

Electric Start



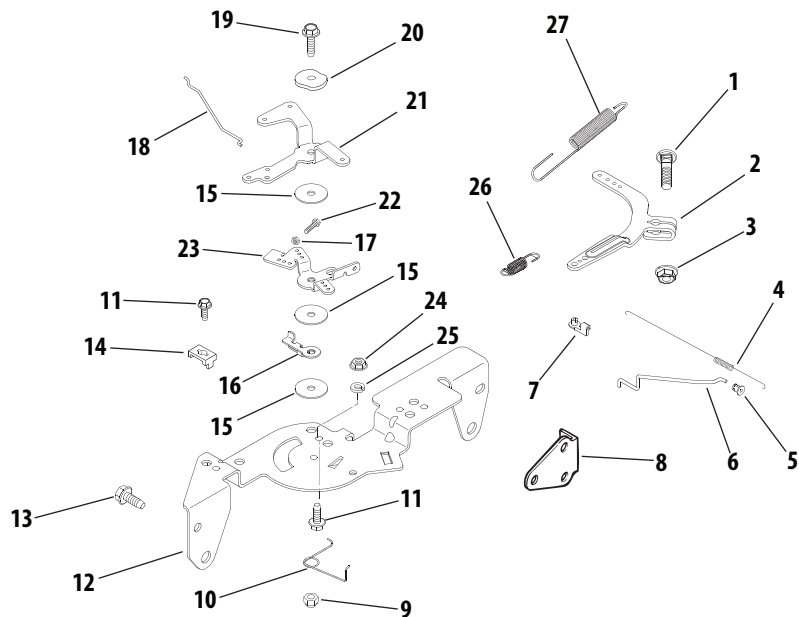
REF. NO.	PART NUMBER	DESCRIPTION	QTY.
1	KH-M-0841080	Nut, Hex Flange M8 x 1.25"	1
2	KH-M-839080	Screw, Hex Flange M8 x 1.25 x 80	2
3	KH-25-098-09-S	Starter, Solenoid Shift Assembly (Includes 4-8)	1
4	KH-25-086-113-S	Screw, External Torx Hd.	3
5	KH-25-435-06-S	Kit, Solenoid	1
6	KH-25-755-33-S	Kit, Pinion Drive (Includes 7)	1
7	KH-25-141-05-S	Ring, Retainer	1
8	KH-25-221-01-S	Kit, Brush	1

Ignition, Electrical and Flywheel



REF. NO.	PART NUMBER	DESCRIPTION	QTY.
1	KH-237878	Stator Kit, 15 Amp	1
2	KH-24-126-139-S	Bracket, Stator Wire	1
3	KH-M-548025-S	Screw, Stator Mtg. M5 x .8 x 25	2
4	KH-24-584-45-S	Module, Ignition	2
5	KH-M-545020-S	Screw, Module M5 x .8 x 20	4
6	KH-24-025-48-S	Flywheel Assembly	1
7	KH-X-42-15	Key	1
8	KH-12-468-03	Washer, Flat, 13/32	1
9	KH-12-086-14	Screw, Flange M10x1.5 x 45	1
10	KH-24-157-11-S	Fan	1
11	KH-25-086-47	Bolt, Shoulder	4
12	KH-24-086-18	Screw Phillips Hd., #11-16 x .875	2
13	KH-X-25-92	Washer, Plain	2
14	KH-41-403-09-S	Regulator - Rectifier	1
15	KH-236602-S	Connector, Regulator-Rectifier	1
16	KH-235173	Clip, Cable	1
17	KH-X-25-63	Washer, Plain 1/4"	1
18	KH-12-154-01	Clip, Cable	1
19	759-3336	Spark Plug	2
Not Illustrated			
	KH-24-176-08	Harness, Wire	1
	KH-24-126-137-S	Bracket, Ground Strap	1
	KH-25-086-91-S	Screw, Tapping	2
	KH-25-454-03-S	Tie, Wire	2
	KH-25-468-07-S	Washer, Flat	1

Engine Controls



REF. NO.	PART NUMBER	DESCRIPTION	QTY.
1	KH-24-211-03-S	Screw, Round Hd. Square Neck	1
2	KH-24-090-33-S	Lever, Governor	1
3	KH-M-641060-S	Nut, Hex Flange M6 x 1.0	1
4	KH-24-089-01	Spring, Linkage	1
5	KH-25-158-08	Bushing, Linkage Retaining	1
6	KH-24-079-01	Linkage, Throttle	1
7	KH-25-158-11	Bushing, Linkage Retaining	1
8	KH-24-126-04	Bracket, Support	2
9	KH-M-547050-S	Nut, Hex Lock M5 x 0.8	1
10	KH-24-089-03	Spring, Choke Return	1
11	KH-M-545016-S	Screw, Hex Flange M5 x 0.8 x 16	2
12	KH-24-126-56	Bracket, Control	1
13	KH-M-645016-S	Screw, Hex Flange M6 x 1.0 x 16	4
14	KH-12-237-01	Clamp, Cable	2
15	KH-24-468-01	Washer, Plain 5.5mm	3
16	KH-24-090-07	Lever, Throttle Actuator	1
17	KH-M-446030-S	Nut, Hex M4 x 0.7	1
18	KH-24-079-21-S	Linkage, Choke	1
19	KH-M-545020-S	Screw, Hex Flange M5 x 0.8 x 20	1
20	KH-41-468-03	Washer, Spring 1/4"	1
21	KH-24-090-05	Lever, Choke	1
22	KH-M-401030	Screw, Hex Cap M4 x 0.7 x30	1
23	KH-24-090-13	Lever, Throttle Control	1
24	KH-M-541050-S	Nut, Hex	1
25	KH-X-20-1	Washer	1
26	KH-24-089-44-S	Spring, Governor	1
27	KH-24-089-51-S	Spring, Throttle Limiter	1