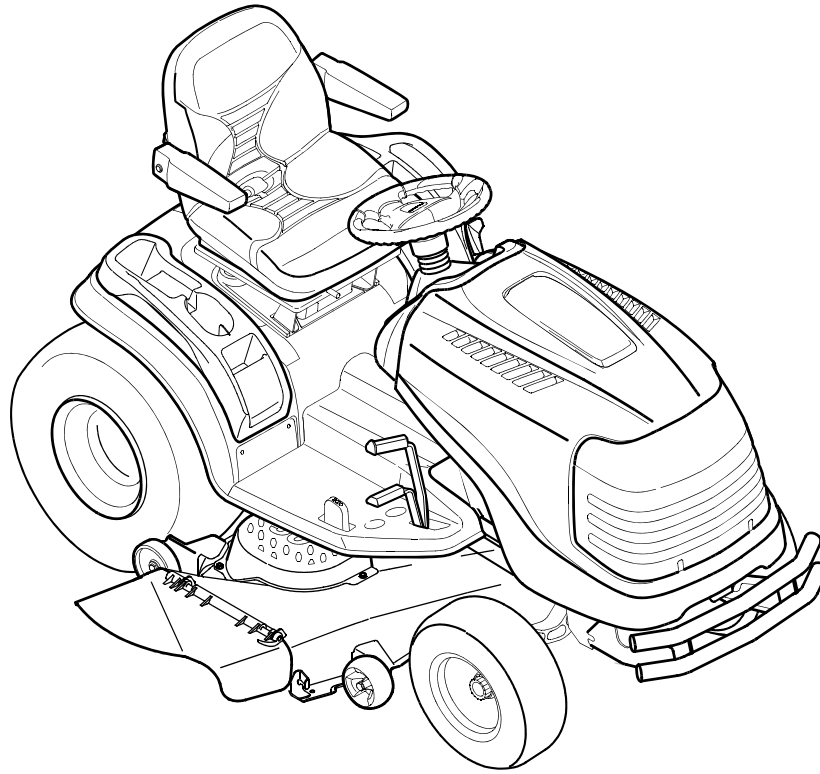


# *Cub Cadet*<sup>®</sup>

## Parts Manual



## **SERIES 2500**

## **TRACTOR**

Model Number  
**GT 2550**

CUB CADET LLC P.O. BOX 361131 CLEVELAND, OHIO 44136-0019 [[www.cubcadet.com](http://www.cubcadet.com)]

PRINTED IN U.S.A.

FORM NO. 769-01479A  
(3/07)

---

# NOTES

---

## MODEL GT2550

### TABLE OF CONTENTS

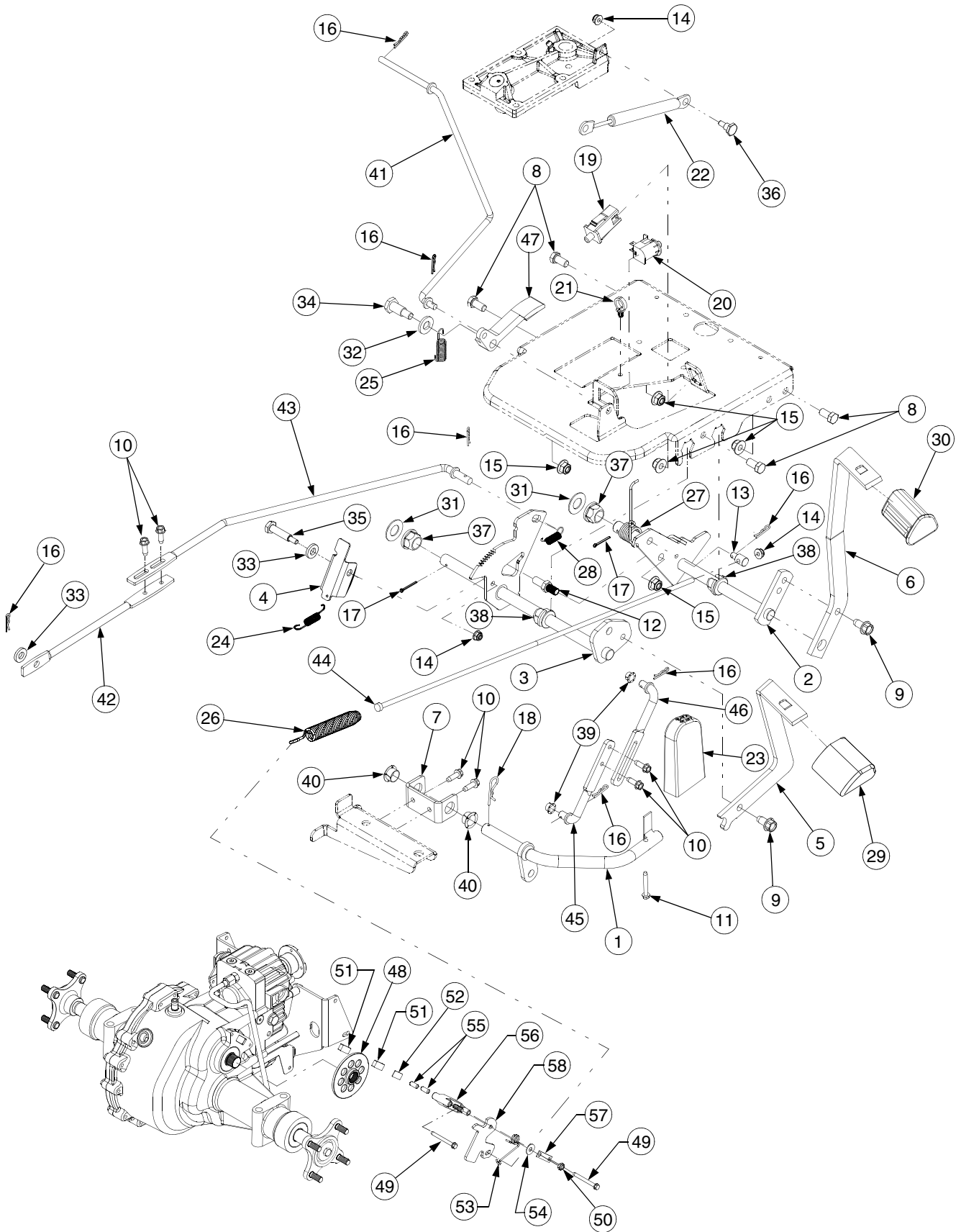
DESCRIPTION	PAGE	DESCRIPTION	PAGE
Axle, Front .....	36	Engine Mounting .....	18
Battery .....	13	Fender .....	32
Brakes .....	4	Frame .....	16
Controls		Fuel Tank .....	17
Engine .....	14	Grille .....	30
Pedals .....	4	Hood .....	30
Transmission .....	4	Hydraulic Filter .....	12
Dash Panel .....	14	Neutral Linkage and Hydraulic Tube .....	12
Drawbar .....	16	Hydrostatic Pump .....	10
Drive Line .....	7	Implement Lift Handle .....	34
Electrical		Implement Lift Hanger .....	35
Switches .....	13	Muffler .....	18
Wiring .....	13	PTO Clutch .....	17
Engine		Running Board .....	32
Air Filter .....	24	Seat .....	29
Blower Housing and Baffles .....	19	Steering .....	6
Breather .....	21	Transmission, Hydro .....	8
Carburetor .....	25	Wheels, Front & Rear .....	37
Controls .....	28	50" Mower Deck .....	38
Crankcase .....	20		
Crankshaft .....	22		
Cylinder Head .....	21		
Electrical .....	27		
Exhaust .....	22		
Flywheel .....	27		
Fuel System .....	25		
Oil Pan .....	23		
Starter .....	26		
Valves .....	21		

**NOTE:** For **painted parts**, please refer to the list of color codes below. Please add the applicable color code, wherever needed, to the part number to order a replacement part.

For instance, if a part, numbered 700-xxxx, is painted Cub Yellow, the part number to order would be 700-xxxx-0716.

Cub Yellow: 0716  
Cub Beige: 0499  
Cub Blue: 0685  
Powder Black: 0637

# BRAKE AND CONTROL PEDALS

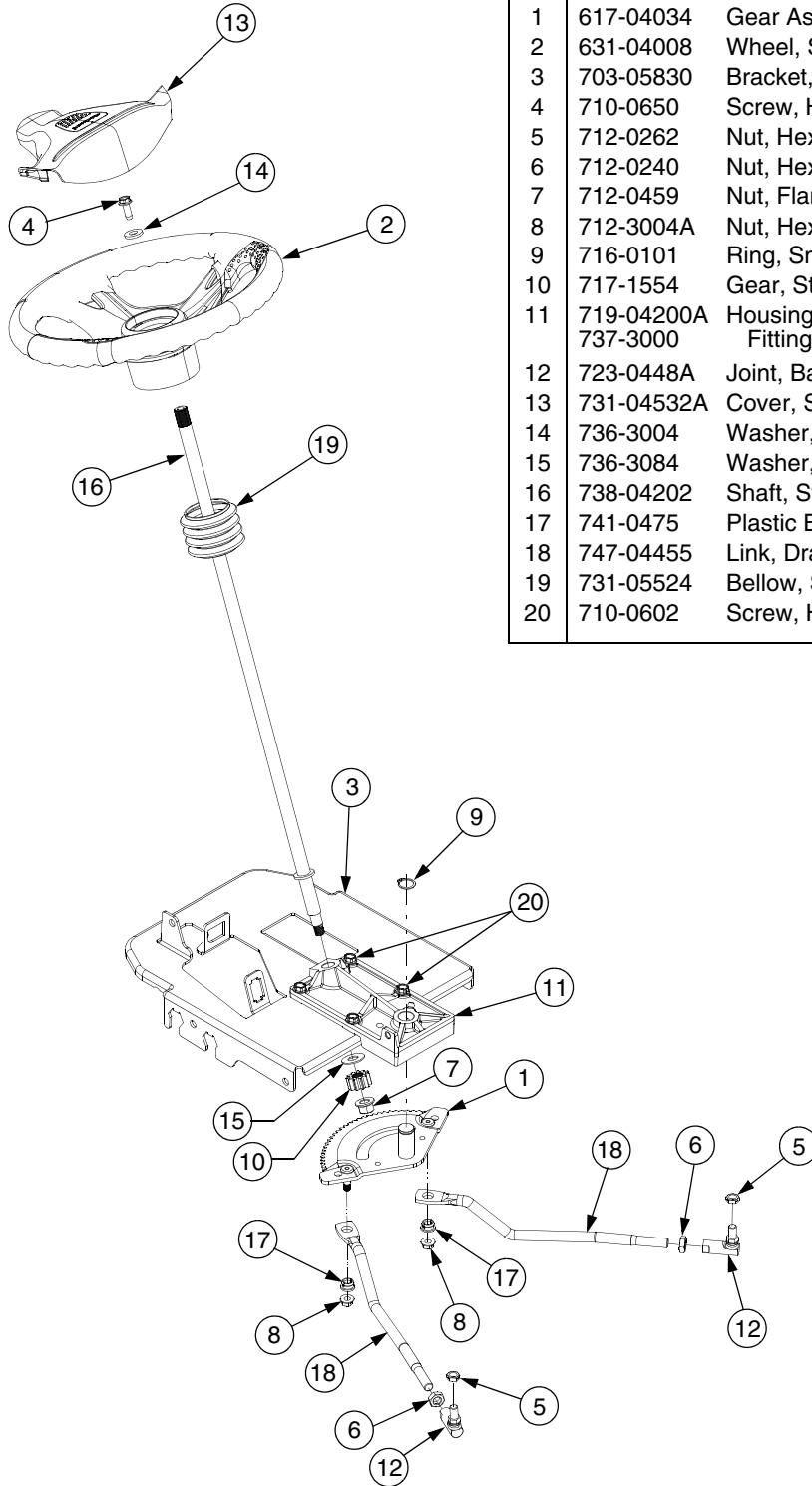




**BRAKE AND CONTROL PEDALS**

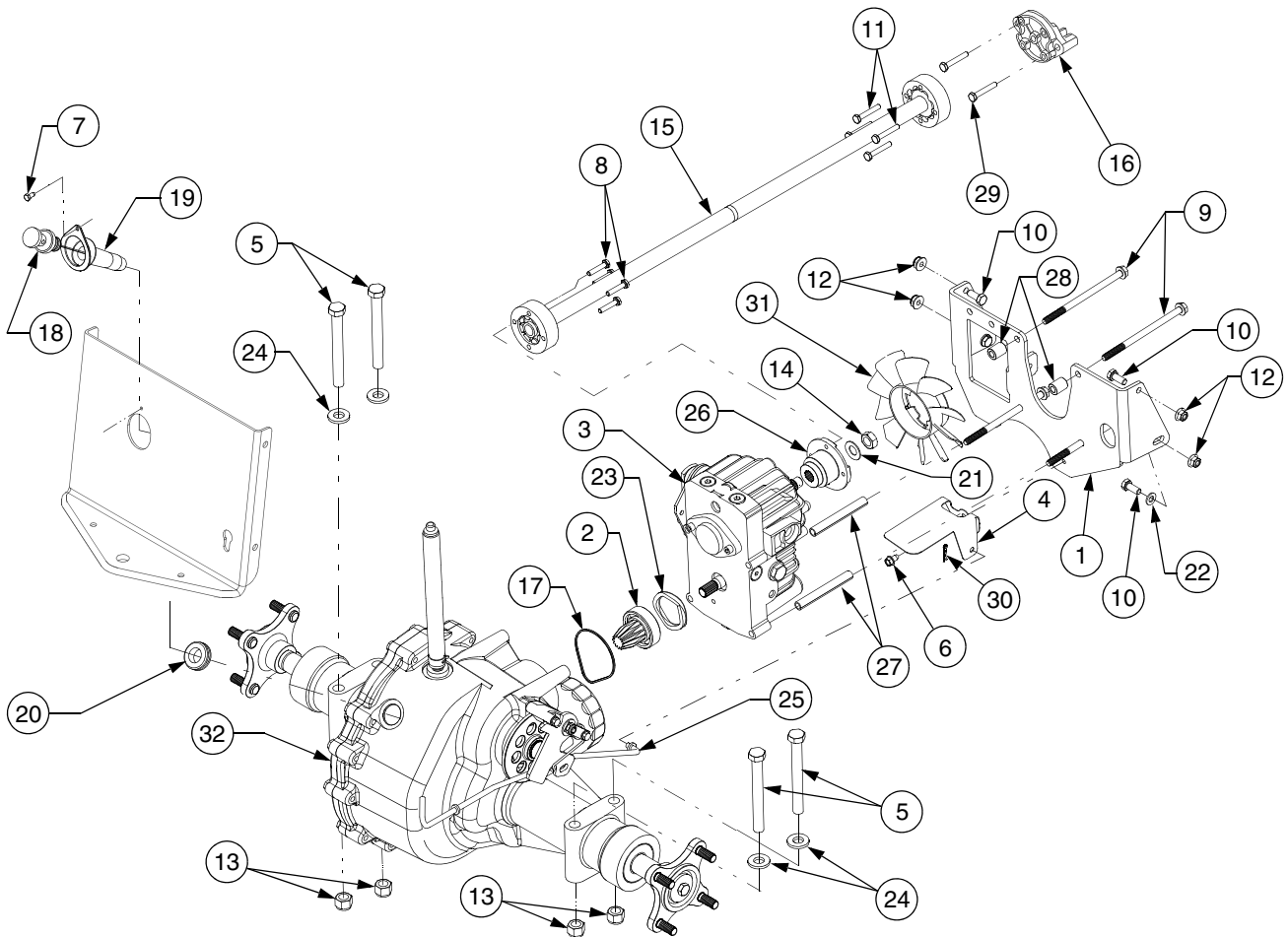
REF. NO.	PART NUMBER	DESCRIPTION	QTY.	REF. NO.	PART NUMBER	DESCRIPTION	QTY.
1	603-0412	Pedal Assy, Reverse	1	30	735-3049A	Pad, Brake Foot	1
2	603-04313A	Shaft Assy, Brake	1	31	736-0187	Washer, Flat, .64 x 1.24 x .06 HT	2
3	603-04314	Shaft Assy, Forward/Reverse	1	32	736-0326	Washer, Flat, .51 x 1.0 x .125	1
4	703-05873	Bracket, Reverse Switch	1	33	736-3010	Washer, Flat, .407 x .812 x .135 HT	2
5	703-2570A	Pedal, Forward	1	34	738-0145	Shoulder Bolt, .50 OD x .840	1
6	703-2573A	Pedal, Brake	1	35	738-0560	Screw, Shoulder, .374 x 1.375	1
7	703-2938	Bracket, Reverse Pivot	1	36	738-0974	Screw, Shoulder, .375 x .380:1/4-20	1
8	710-0514	Screw, Hex Cap, 3/8-16 x 1.0 GR5	4	37	741-0225	Bearing, Hex Flange	2
9	710-0623	Screw, Hex Wash Hd Tapp 3/8-16x .75	2	38	741-3065B	Bearing, Hex Flange Split	2
10	710-0642	Screw, Hex Wash Hd Tapp 1/4-20x .75	6	39	741-3073	Bearing, Flange, .375 x .58 x .25	2
11	710-0796	Screw, Truss Mach, #12 x 1.5	1	40	741-3074	Bearing, Flange, .625 x .938 x .344	2
12	711-04543	Pin, 3/8-16 x 1.0	1	41	747-04426	Rod, Cruise	1
13	711-0736	Ferrule, Adjustment, 1/4-20 Thrd	1	42	747-04478	Rod, Rear F/R Control	1
14	712-04064	Nut, Hex Flange Lock, 1/4-20	3	43	747-04479	Rod, Front F/R Control	1
15	712-04065	Nut, Hex Flange Lock, 3/8-16	4	44	747-04516	Rod, Brake	1
16	714-0104	Pin, Internal Cotter, 5/16 Dia x 1.12	7	45	747-3341A	Rod, Rear Connecting	1
17	714-0111	Pin, Cotter, 3/32 x 1.0	2	46	747-3383	Rod, Front Connecting	1
18	714-0145	Pin, Internal Cotter, 3/8 Dia x 1.62	1	47	748-04102	Latch, Cruise	1
19	725-3164A	Switch, Interlock (Brake)	1	48	761-0215	Disc, Brake	1
20	725-3167	Switch, Snap Mount (Reverse)	1	49	710-1206	Screw, Hex Wash Hd, Tapp, 1/4-20 x 2.375	2
21	725-3055	Clip, Cable Retainer	1	50	712-0273	Nut, Hex Nylon Lock, 5/16-24	1
22	727-04141	Cylinder, Damper, .59 OD x 7.84 Lg	1	51	717-0678	Pad, Brake	2
23	731-3205	Pedal, Reverse	1	52	717-0682	Plate, Puck	1
24	732-0418	Spring, Extension, .38 OD x 2.1	1	53	732-0925	Spring, Torsion	1
25	732-04354	Sping, Extension	1	54	736-0371	Washer, Flat, .343 x .88 x .062	1
26	732-0463A	Spring, Extension	1	55	741-0343	Pin, Brake Actuating	2
27	732-0756A	Spring, Torsion	1	56	761-0207A	Yoke, Brake	1
28	732-3118	Spring, Extension, .375 OD x 1.44	1	57	761-0208	Bracket, Brake Anti Rotation	1
29	735-3048	Pad, Forward Foot Control	1	58	761-3074	Arm, Brake Actuator	1

## STEERING



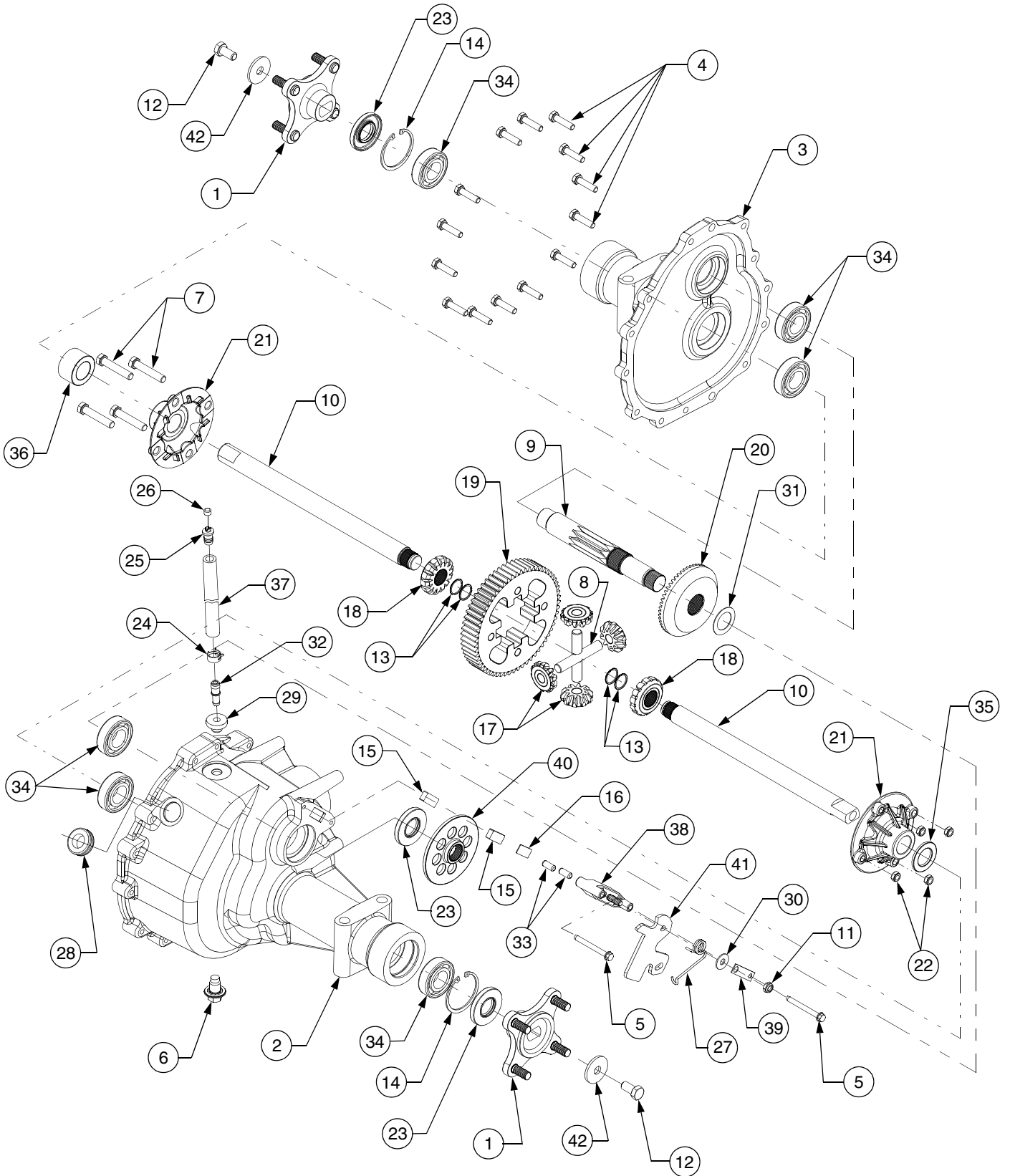
REF. NO.	PART NUMBER	DESCRIPTION	QTY.
1	617-04034	Gear Assy, Segment	1
2	631-04008	Wheel, Steering, Soft Grip	1
3	703-05830	Bracket, Steering Support	1
4	710-0650	Screw, Hx. Wash. Hd Tapp, 5/16-18 x .875	1
5	712-0262	Nut, Hex Jam Lock, 3/8-24 Gr2	2
6	712-0240	Nut, Hex Jam, 7/16-20 GR2	2
7	712-0459	Nut, Flange Lock 7/16-20 GrB	1
8	712-3004A	Nut, Hex Flange Lock, 5/16-18 GR5	2
9	716-0101	Ring, Snap, .75 Dia Shaft	1
10	717-1554	Gear, Steering Pinion	1
11	719-04200A	Housing Assy, Steering	1
	737-3000	Fitting, Grease, 3/16 Drive Type	2
12	723-0448A	Joint, Ball, 3/8-24	4
13	731-04532A	Cover, Steering Wheel	1
14	736-3004	Washer, Flat, .406 x .875 x .105 Thk	1
15	736-3084	Washer, Flat, .51 x 1.12 x .03 Thk	1
16	738-04202	Shaft, Steering, .625 x 27.10	1
17	741-0475	Plastic Bushing, .38 ID	2
18	747-04455	Link, Drag	2
19	731-05524	Bellow, Steering, 2.12 Lg	1
20	710-0602	Screw, Hx. Wash. Hd Tapp, 5/16-18 x 1.0	4

## DRIVE LINE



REF. NO.	PART NUMBER	DESCRIPTION	QTY.	REF. NO.	PART NUMBER	DESCRIPTION	QTY.
1	603-0707	Bracket, Torque	1	18	727-3195	Dipstick, Transmission	1
2	617-3002	Gear Assembly, Pinion	1	19	731-3294	Holder, Dipstick	1
3	618-3243	Transmission, Hydrostatic	1	20	735-0277A	Grommet, Rubber, .75 x 1.063	1
4	703-4093	Spring Plate, Hydro Dump	1	21	736-0253	Washer, Belleville	1
5	710-0465	Screw, Hex Cap, 1/2-20 x 4.5 GR5	4	22	736-0275	Washer, Flat, .344 x .688 x .065	2
6	710-0599	Scrw, Hx Wsh Hd Tapp, 1/4-20 x .5	1	23	736-0619	Washer, Spring	1
7	710-0919	Scrw, Hx Wsh Hd Tapp, 10-16 x .44	1	24	736-3019	Washer, Flat, .531 x 1.062 x .134	4
8	710-1062	Screw, Hex Patch, 1/4-20 x 1.25 GR5	4	25	747-3417B	Rod, Hydro Dump Valve	1
9	710-1888	Scrw, Hx Hd Tapp, 5/16-18 x 5.25	4	26	748-3093	Adapter, Hydro Pump	1
10	710-3008	Screw, Hex Cap, 5/16-18 x .75 GR5	4	27	750-3349	Spacer, Hydro, .323 x .443 3.51	2
11	710-3288	Screw, Hex Patch, 1/4-20 x 1.62 Gr5	4	28	750-3350	Spacer, Hydro, .323 x .600 x .74	2
12	712-04063	Nut, Hex Lock, 5/16-18	4	29	KH-24-086-16-S	Screw, Hex Patch, M10-1.5x 90mm	2
13	712-3058	Nut, Hex Nylon Lock, 1/2-20 GR2	4	30	714-0104	Internal Cotter Pin	1
14	712-3059	Nut, Hex Top Lock Jam, 1/2-20	1	31	731-3297	Fan, Pump	1
15	718-3143	Shaft, Drive, 30.625 Lg	1	32		Transmission Assembly, Hydro — See Pages 6-7 for Parts Info.	1
16	719-3096	Adapter, Engine	1				
17	721-0519	Seal, Gland	1				

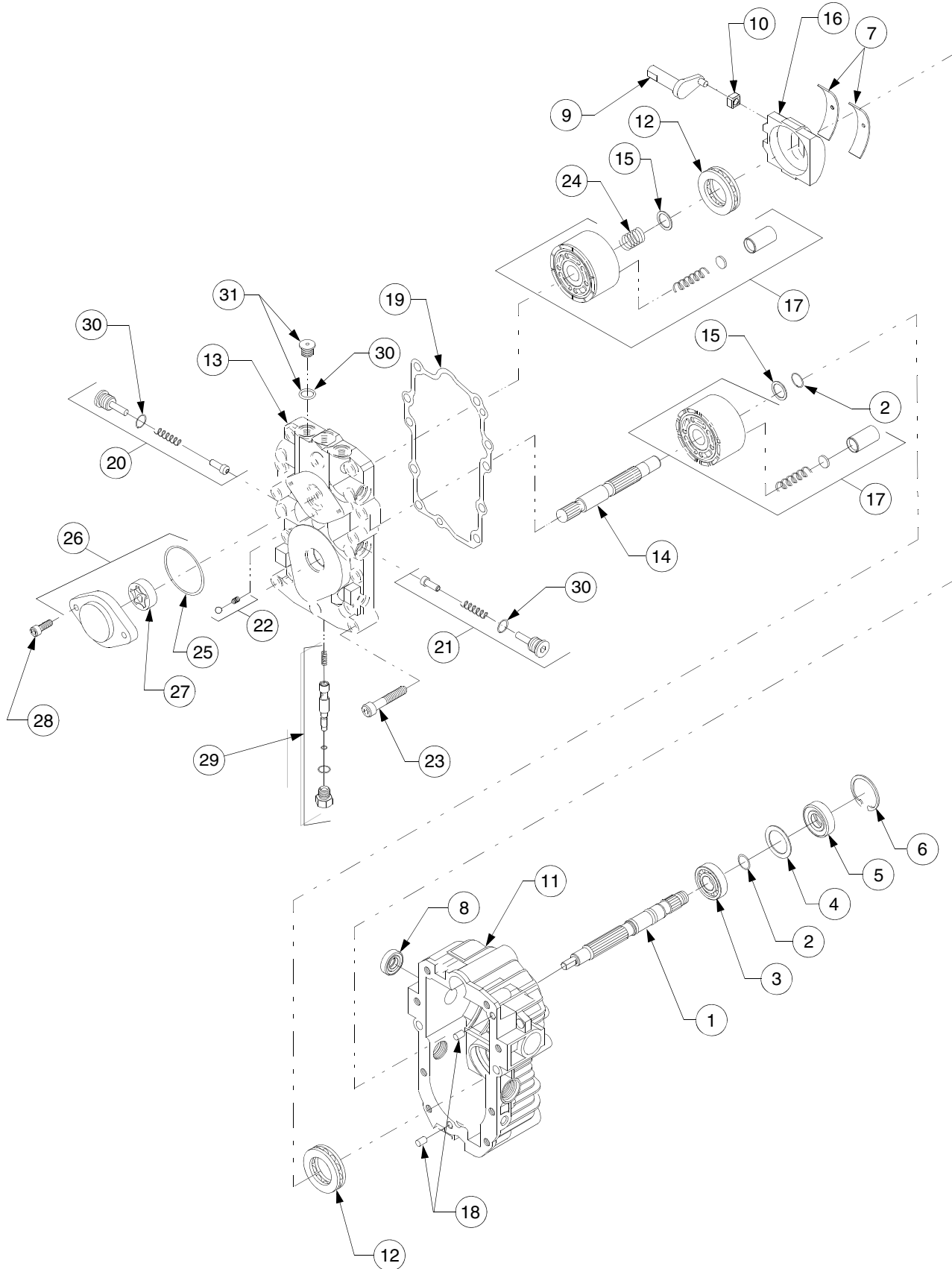
# HYDRO TRANSMISSION



## HYDRO TRANSMISSION

REF. NO.	PART NUMBER	DESCRIPTION	QTY.
	618-04176	Transmission Assembly, Hydro — Does not include Ref Nos. 1, 12 & 42	1
1	618-04317	Hub Ass'y, Wheel	2
2	619-3071A	Housing, RH Transmission	1
3	619-3072	Housing, LH Transmission	1
4	710-0573	Screw, Hex Cap Lock, 5/16-18 x 1.25 GR5	14
5	710-1206	Screw, Hex Wash Hd. Tapp, 1/4-20 x 2.375	2
6	710-1633	Screw, Plug, M14 x 1.5 x .827	1
7	710-3144	Screw, Hex Cap Lock, 3/8-16 x 2.0 GR5	4
8	711-1052A	Shaft, Cross, .50 x 3.005	2
9	711-1385A	Shaft, Output, 9T	1
10	711-04233	Shaft, Axle	2
11	712-0273	Nut, Hex Nylon Lock, 5/16-24	1
12	710-3119	Screw, Hex Cap Lock, 3/8-16 x .75 GR5	2
13	716-04032	Ring, Retaining	4
14	716-0204	Ring, Retaining	2
15	717-0678	Pad, Brake	2
16	717-0682	Plate, Puck	1
17	717-1446	Gear, Miter, 10T	4
18	717-04102	Gear, Miter, 14T	2
19	717-1568	Gear, Differential Spur, 60T	1
20	717-3449	Gear, Bevel, 54T	1
21	719-0375A	Housing, Differential w/Thru Holes	2
22	712-3020	Nut, Hex Insert Jam GR5, 3/8-16	4
23	721-0523	Seal, Oil, 1.0 x 2.047 x .2755	3
24	726-0324	Clamp, Hose	1
25	731-1480	Vent, Plastic	1
26	731-1481	Cap, Plastic Vent	1
27	732-0925	Spring, Torsion	1
28	735-0277A	Grommet, Rubber, .75 x 1.063	1
29	735-0279	Grommet, Rubber, .362 x .56	1
30	736-0371	Washer, Flat, .343 x .88 x .062	1
31	736-0615	Washer, Thrust, 1.007 x 1.542 x .03	1
32	737-3092	Fitting, Tube	1
33	741-0343	Pin, Brake Actuating	2
34	741-3114	Bearing, Ball (6205-1)	6
35	750-3346	Spacer, Axle, 1.007 x 1.665 x .141	1
36	750-3358	Spacer, Axle, 1.007 x 1.665 x .989	1
37	751-0588-8	Tube, Transmission Breather	1
38	761-0207A	Yoke, Brake	1
39	761-0208	Bracket, Brake Anti Rotation	1
40	761-0215	Disc, Brake	1
41	761-3074	Arm, Brake Actuator	1
42	736-0227	Washer, Flat, .39 x 1.5 x .134	2
	759-3958	Sealant, Loctite Black, 5.3 oz. Tube	1
	737-3120	Drive System Fluid Plus - Quart	5.5
	737-3121	Drive System Fluid Plus - Gallon	AR

# HYDROSTATIC PUMP



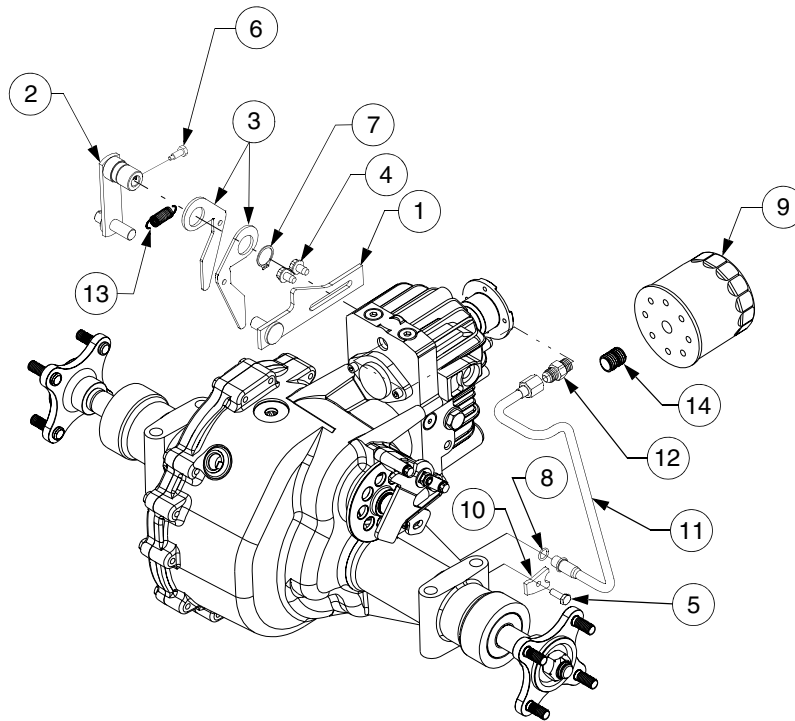
---

## HYDROSTATIC PUMP

REF. NO.	PART NUMBER	DESCRIPTION	QTY.
1	HG-50158	Shaft, Pump (Splined)	1
2	HG-2003016	Ring, Retaining	2
3	HG-2003043	Bearing, Ball	1
4	HG-2003018	Spacer	1
5	HG-9008000-0128	Seal, Lip	1
6	HG-2003052	Ring, Retaining	1
7	HG-2003023	Bearing, Cradle	2
8	HG-9008000-0126	Seal, Lip	1
9	HG-2003005	Arm, Trunnion	1
10	HG-2000015	Guide, Slot	1
11	HG-2513036	Housing Kit	1
12	HG-2003044	Bearing Assembly, Thrust Ball	2
13	HG-51077	Center Section Kit	1
14	HG-2003034	Shaft, Motor	1
15	HG-2003017	Washer, Block Thrust	2
16	HG-2003087	Swash Plate	1
17	HG-70079	Block Assembly	2
18	HG-9004800-2506	Pin	2
19	HG-2003060	Gasket, Center Section	1
20	HG-2510027	Kit, Check Valve	1
21	HG-2510034	Kit, Orificed Check Valve	1
22	HG-2510011	Kit, Charge Relief Valve	1
23	HG-9007314-0808	Screw, Socket Hd	8
24	HG-2003014	Spring, Block	1
25	HG-9004101-1340	O-Ring	1
26	HG-2513027	Kit, Charge Pump	1
27	HG-J1041008	Gerotor Assy	1
28	HG-50095	Screw, Socket Hd	2
29	HG-2153011	Bypass Valve Kit	1
30	HG-9004201-3700	O-Ring	3
31	HG-9005110-5600	Plug w/O-Ring	2

---

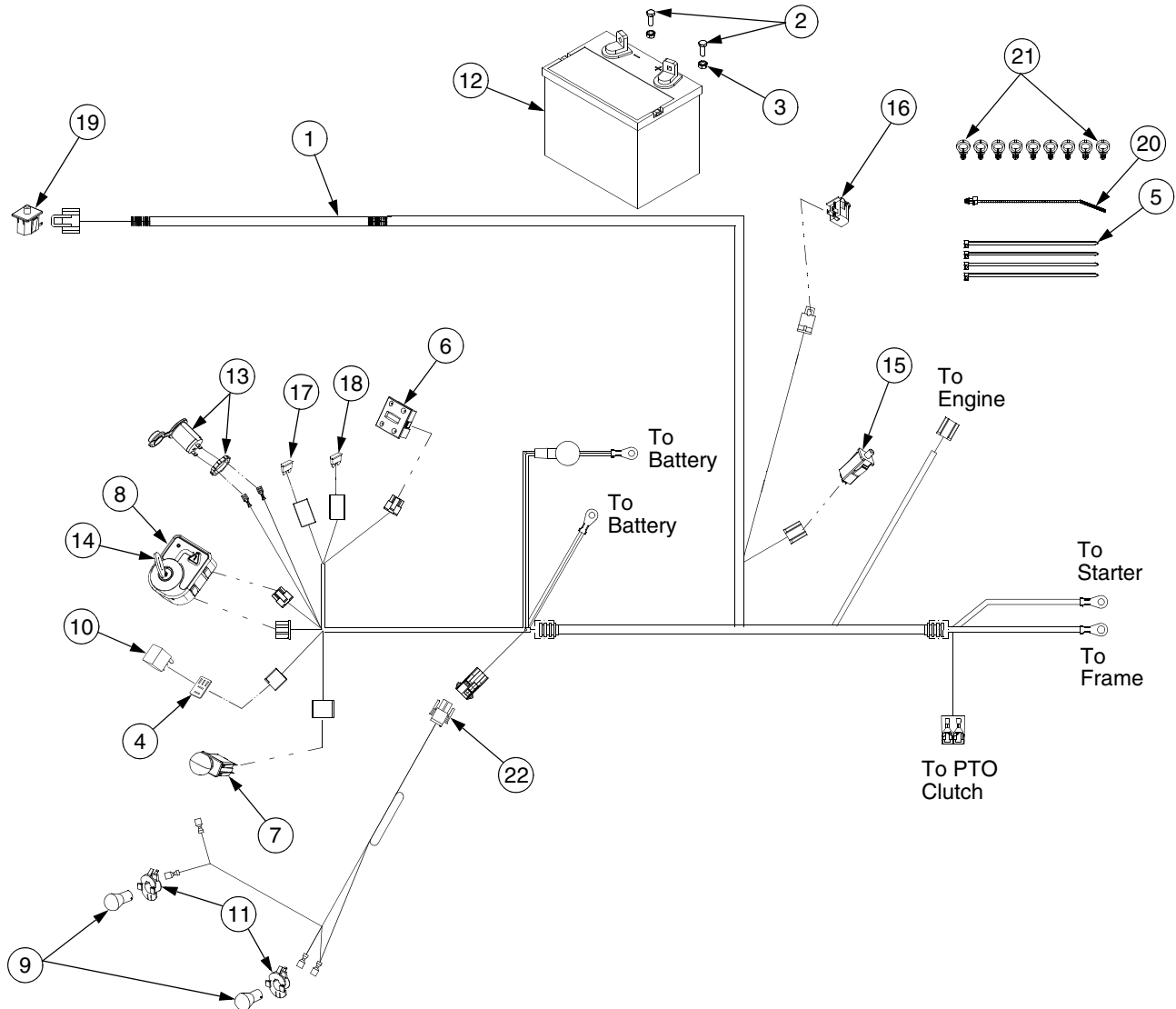
## NEUTRAL LINKAGE AND HYDRAULIC TUBE



REF. NO.	PART NUMBER	DESCRIPTION	QTY.
1	603-0732	Bracket, Neutral Return	1
2	603-04340	Arm Assembly, Control	1
3	703-2441	Arm, Neutral	2
4	710-0607	Screw, Hex Wash Hd Tapp, 5/16-18 x .50	2
5	710-3015	Screw, Hex Cap, 1/4-20 x .75 GR5	1
6	710-04171	Screw, Special Hex Cap, 5/16-24 x .625	1
7	716-0111	Ring, Snap, .875 Shaft	1
8	721-0459	O-Ring, .426 ID x .566 OD x .07	1
9	723-3014	Filter, Oil	1
10	726-0295	Clamp, Tube, .50	1
11	727-0636	Tube, Hydro Pickup	1
12	727-3002	Fitting, Hydraulic	1
13	732-3119A	Spring, Extension	1
14	737-3022	Nipple, Oil Filter	1

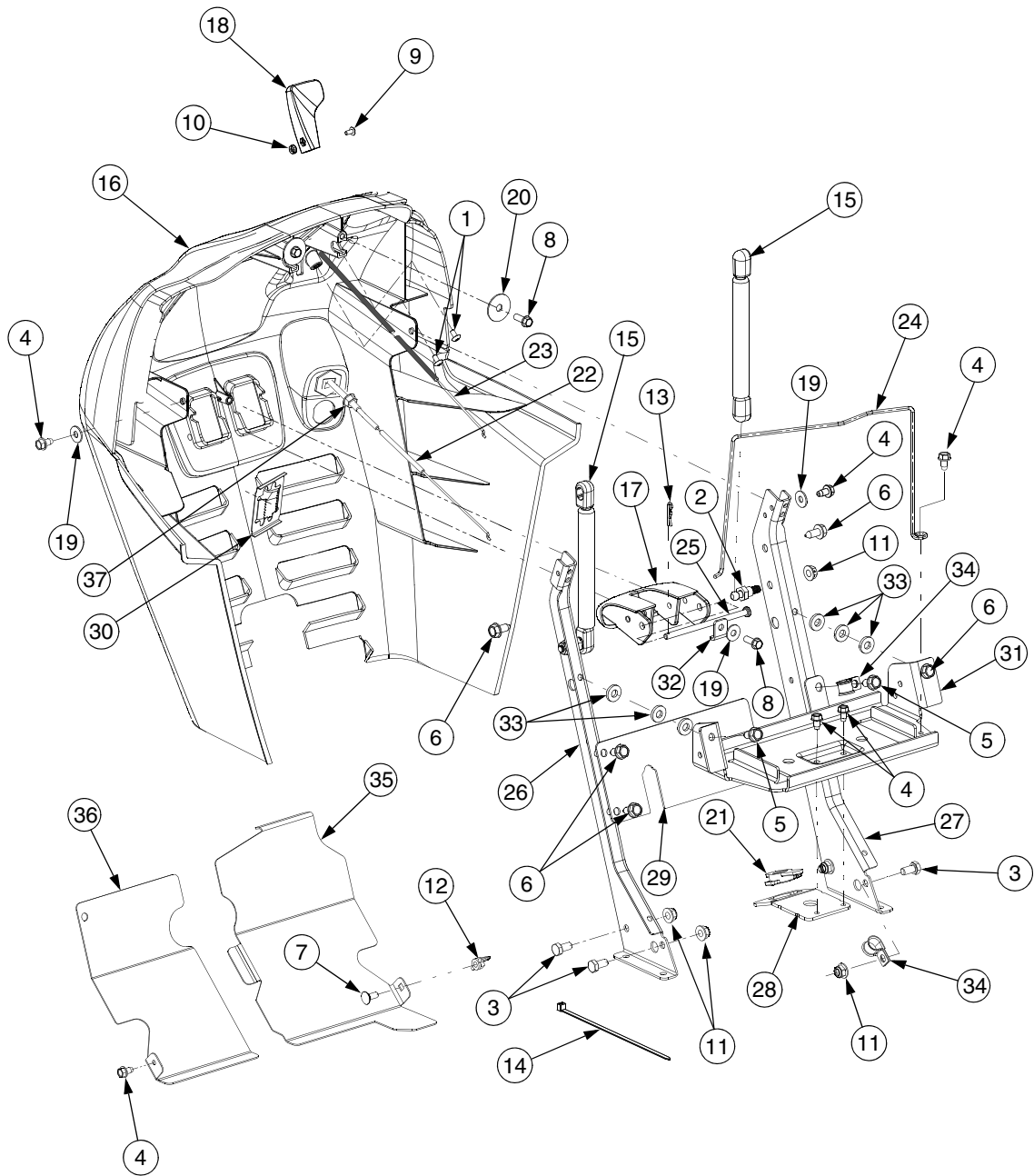


## BATTERY, ELECTRICAL COMPONENTS AND SWITCHES



REF. NO.	PART NUMBER	DESCRIPTION	QTY.	REF. NO.	PART NUMBER	DESCRIPTION	QTY.
1	629-04158A	Wire Harness, Main	1	12	925-1707D	Battery	1
2	710-3015	Screw, Hex, 1/4-20 x .75 GR5	2	13	725-2003	Receptacle, Power 12V	1
3	712-0271	Sems Nut	2	14	725-2054	Key, Ignition	2
4	721-0342	Gasket, Silicone	1	15	725-3164A	Switch, Interlock (Brake)	1
5	725-0157	Tie, Self-Clinch Cable	4	16	725-3167	Switch, Snap Mount (Reverse)	1
6	725-04022B	Meter, Indicator / Hour	1	17	725-3243	Fuse, 25 Amp	2
7	725-04175	Switch, PTO	1	18	725-04008	Fuse, 5 Amp	1
8	725-04227B	Switch, Key/Module	1	19	725-04040	Switch, Seat	1
9	725-0963	Lamp, Head Light	2	20	726-0154	Tie, Pushmount	9
10	725-1648	Relay	1	21	726-3055	Clip, Cable	9
11	725-1649	Socket, Light, 1/4 Turn	2	22	629-04142A	Harness, Head Light	1

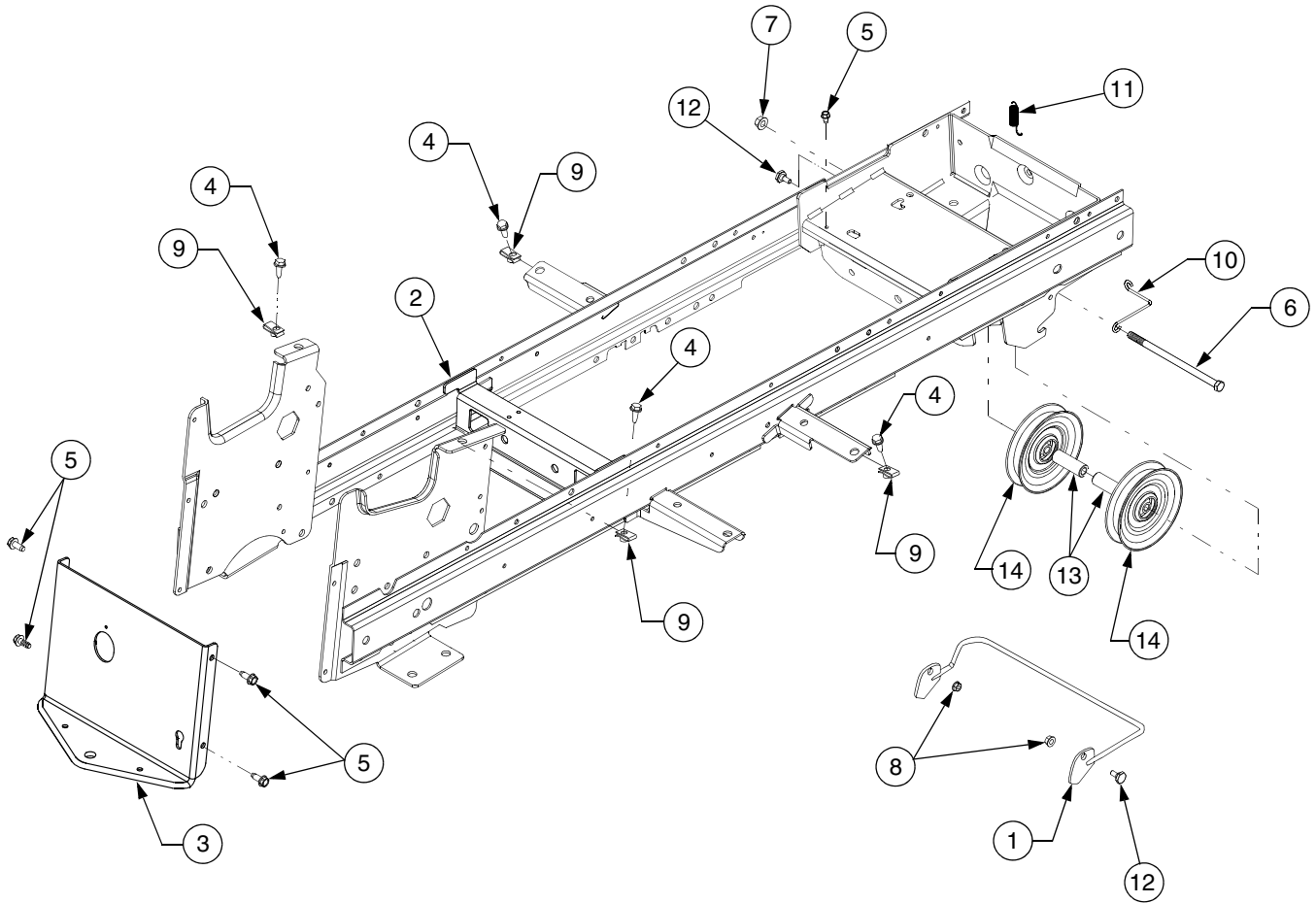
# DASH PANEL AND ENGINE CONTROLS



## DASH PANEL AND ENGINE CONTROLS

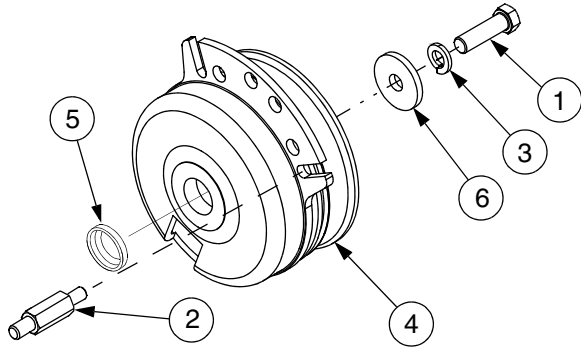
REF. NO.	PART NUMBER	DESCRIPTION	QTY.
1	710-0192	Screw, #10-24 X .375	2
2	710-04471	Screw, Ball Shoulder. 5/16-18 x .48	2
3	710-3025	Screw, Hex Cap, 5/16-18 x .625 GR5	4
4	710-0599	Screw, Self-tapping, 1/4-20, 0.500	6
5	710-0650	Screw, Hx. Wash. Hd, Tapp. 5/16-18 x .875	2
6	710-0726	Screw, Hx. Wash. Hd, Tapp, 5/16-12 x .75	6
7	710-0134	Screw, Carriage, 1/4 -20 x .62	1
8	710-0895	Screw, 1/4-15, 0.75	2
9	710-3217	Screw, Truss Mach., #8-32 x .375	1
10	712-0142	Nut, Hex, #8-32 GrA	1
11	712-04063	Nut, Hx Insert Flange Lck, 5/16-18 GrF	6
12	712-3087	Nut, Wing, 1/4-20	1
13	714-0104	Internal Cotter Pin, .072 x 1.13	1
14	725-0157	Tie, Cable	1
15	727-04142	Cylinder, Gas	2
16	731-05354A	Dash	1
	777I22459	Graphic, Dash Insert	1
	777I22280	Graphic, Throttle	1
17	731-05447	Lever, Dash, Cruise	1
18	731-3161A	Knob, Throttle Control	1
19	736-0173	Washer, Flat, .28 x .74 x .063	3
20	736-0362	Washer, Flat, .33 x 1.25 x .06 HT	2
21	731-05659	Bushing, Steering Shaft	1
22	746-04277	Cable, Choke	1
23	746-1100	Cable, Throttle Control	1
24	747-04215	Strap, Battery	1
25	747-1323A	Rod, .25 x 4.55	1
26	783-04285E	Plate, Dash Support RH	1
27	783-04323D	Plate, Dash Support, LH	1
28	783-05240	Bracket, Steering Support	1
29	783-04506C	Plate, Dash Support	1
30	783-0462	Bracket, PTO Switch Retainer	1
31	783-1447C	Bracket, Support, Battery	1
32	783-1499	Bracket, Rod, Dash	1
33	736-3008	Washer, Flat, .344 x .75 x .12	6
34	726-0272	Clamp, 9/16	2
35	703-05885A	Shield, Engine, LH	1
	777S32728	Graphic, Steering Box Access Panel	1
36	703-05884	Shield, Enging, RH	1
37	712-3005	Nut, Flange Lock, 3/8-16 Gr5	1

## FRAME AND DRAWBAR



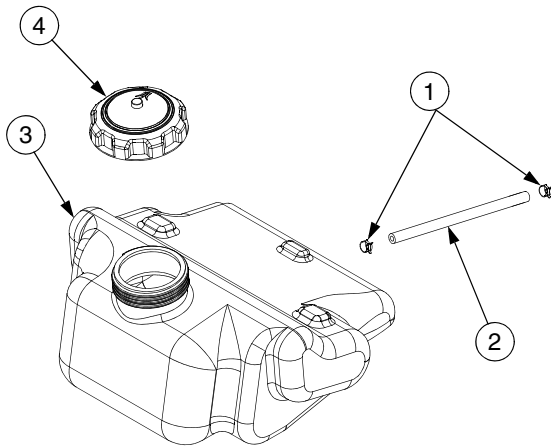
REF. NO.	PART NUMBER	DESCRIPTION	QTY.
1	603-04250	Rod, Quick Attach	1
2	603-04349	Frame	1
3	703-3453	Drawbar	1
	777122785	Graphic, Transmission Release Lever	1
	777S30265	Graphic, Transmission Oil	1
4	710-0602	Screw, Hex Wsh Hd Tapp 5/16-18 x 1.0	4
5	710-1260A	Screw, Hex Wsh Hd Tap 5/16-18 x .75	4
6	710-3261	Screw, Hex Cap, 3/8-16 x 7.0	1
7	712-04065	Nut, Hex Flange Lock, 3/8-16	1
8	712-04064	Nut, Hex Flange Lock, 1/4-20	2
9	726-0211	U-Nut, 5/16-18	6
10	732-0970	Belt Guide	1
11	732-3002	Spring, Latch	1
12	738-0255	Bolt, Shoulder	2
13	750-04198	Spacer, Idler, .411 x .720 x 3.67	2
14	756-3045	Pulley, Idler	2

## PTO CLUTCH



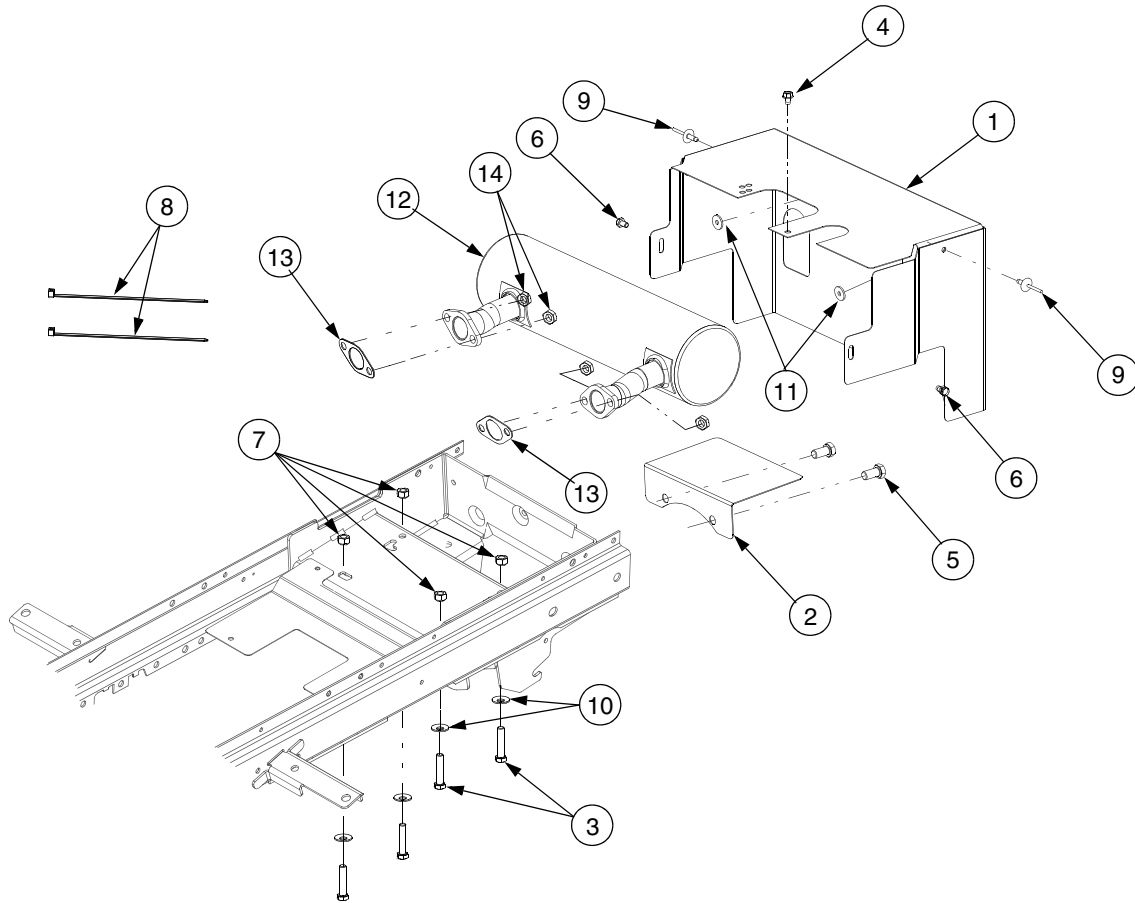
REF. NO.	PART NUMBER	DESCRIPTION	QTY.
1	710-0757	Screw, Hex Cap, 7/16-20 x 1.5 GR5	1
2	711-1083	Stud, Clutch Stop	1
3	736-0171	Washer, Lock, 3/8	1
4	717-04214	Clutch Assy, PTO	1
5	750-04602	Spacer, 1.0 x 1.62 x .21	1
6	736-3082A	Washer, Flat, .445 x 1.5 x 1.72 Hdn	1

## FUEL TANK



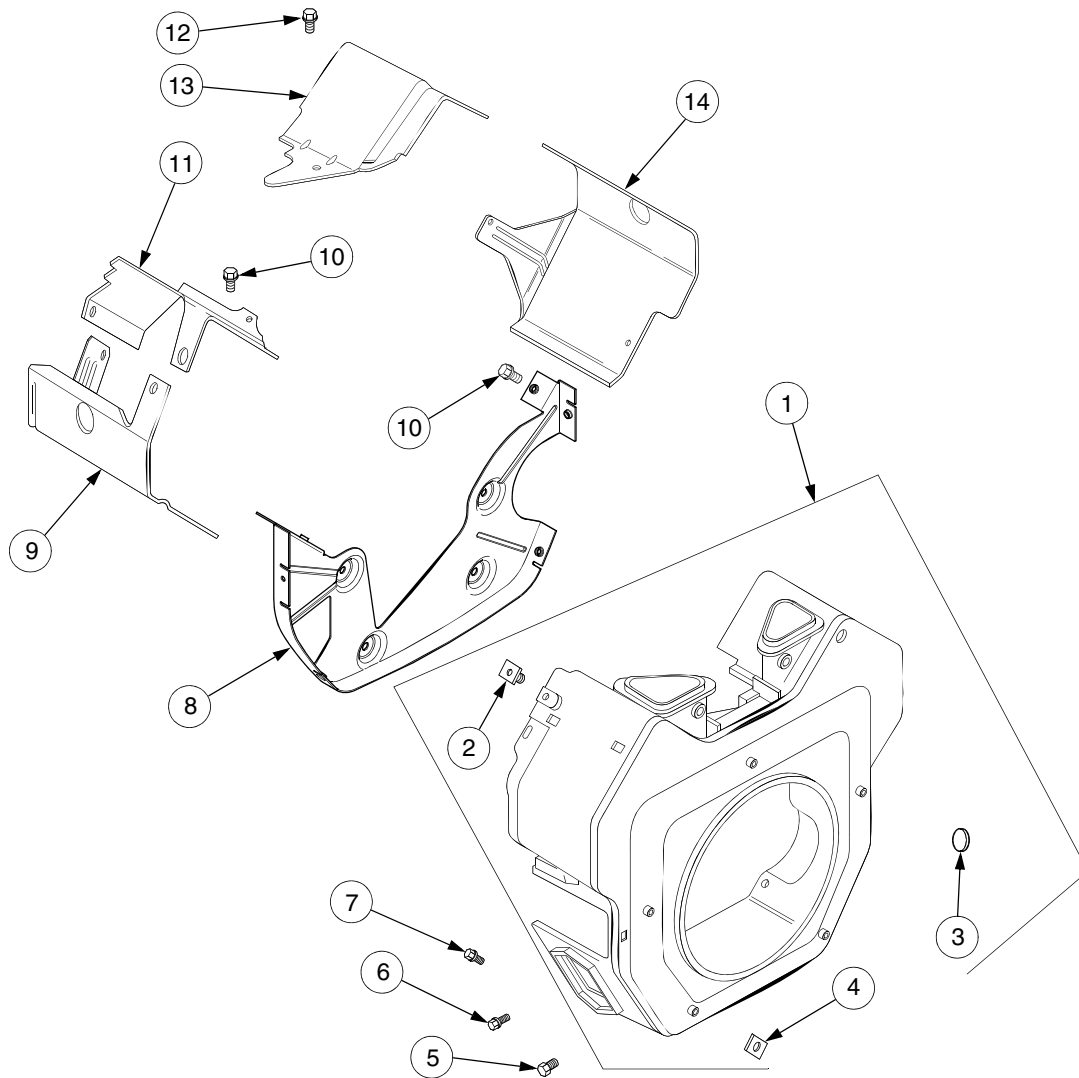
REF. NO.	PART NUMBER	DESCRIPTION	QTY.
1	726-0205	Clamp, Hose	2
2	751-10349-54	Line, Fuel, 51"	1
3	751-3112B	Tank, Fuel	1
4	751-3124D	Cap, Fuel	1

## ENGINE MOUNTING AND MUFFLER



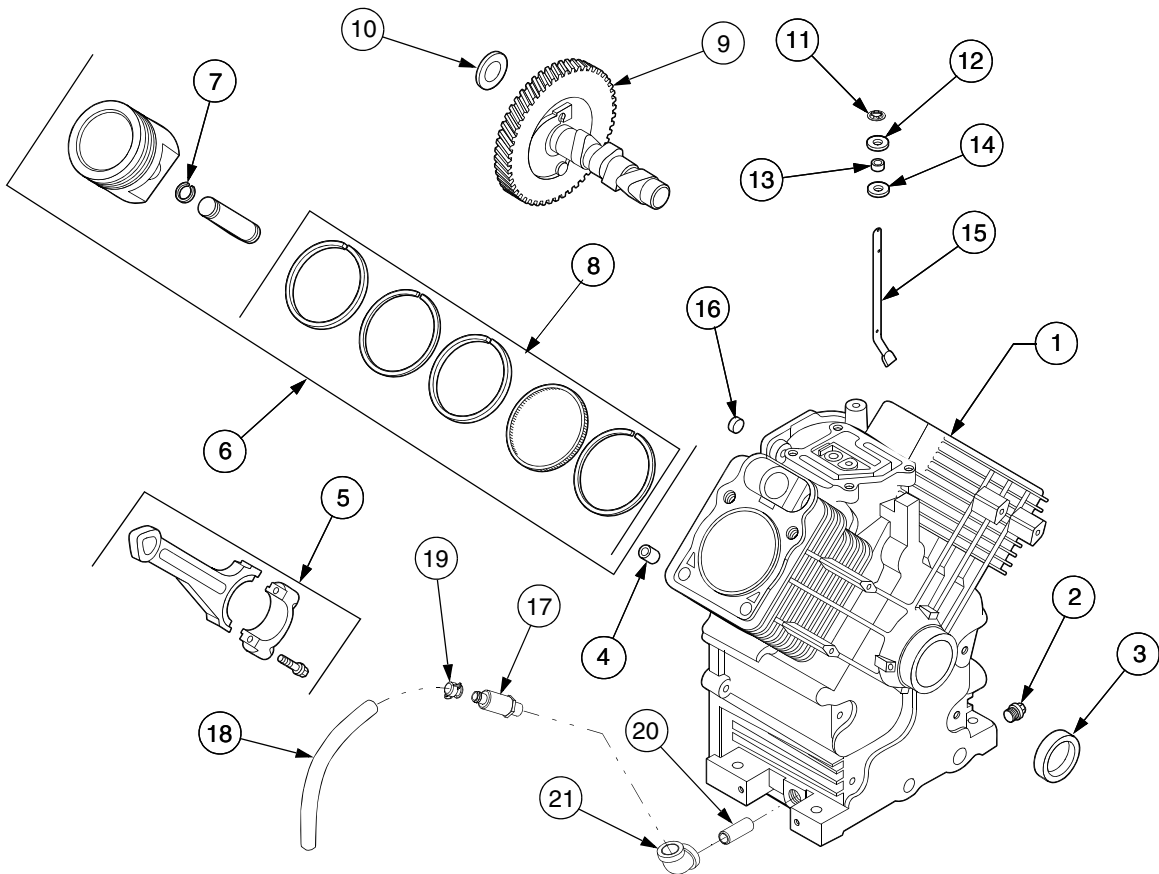
REF. NO.	PART NUMBER	DESCRIPTION	QTY.
1	703-05875C	Shield, Heat	1
2	703-05883	Shield, Clutch	1
3	710-0539	Bolt, Eng Mount, 3/8-24 x 1.75 GR5	4
4	710-0653	Screw, Hx Wsh Hd Tapp, 1/4-20 x .375	2
5	710-3119	Screw, Hx Cap Lock, 3/8-16 x .75 Gr5	2
6	710-3209	Screw, Hex Cap, M6 x 1 x 10	2
7	712-3054	Nut, Hex Lock, 3/8-24	4
8	725-0157	Tie, Cable	2
9	728-0177	Rivet, Pop, 3/16 x .45	2
10	736-0105	Washer, Bell, .380 x .88 x .062	4
11	736-0400	Washer, Flat, .194 x .62 x .063	2
12	751-10249A	Muffler Assembly	1
13	721-0377A	Gasket, Exhaust	2
14	712-3086	Nut, Hex Flange	4

## BLOWER HOUSING AND BAFFLES



REF. NO.	PART NUMBER	DESCRIPTION	QTY.
1	KH-24-027-175-S	Housing, Blower (Incl. Ref #2-4)	1
2	KH-24-100-02	Nut, Plastic	2
3	KH-25-139-16	Plug, Button, 9/16	1
4	KH-24-100-01	Nut, Plastic	3
5	KH-M-561016-S	Screw, Hex Flange, M5 x 0.8 x 16	1
6	KH-M-545016-S	Screw, Hex Flange, M5 x 0.8 x 16	3
7	KH-M-545020-S	Screw, Hex Flange, M5 x 0.8 x 20	4
8	KH-24-146-50-S	Plate, Backing	1
9	KH-24-063-39-S	Baffle, Cylinder Barrel - #2 Side	1
10	KH-M-645016-S	Screw, Hex Flange, M6 x 1.0 x 16	6
11	KH-24-063-70-S	Baffle, Valley - #2 Side	1
12	KH-M-0545010	Screw, Hex Flange, M5 x 0.8 x 10	2
13	KH-24-063-59-S	Baffle, Valley - #1 Side	1
14	KH-24-063-58-S	Baffle, Cylinder Barrel - #1 Side	1
		<b>Not Illustrated</b>	
	KH-24-154-11-S	Clip, Speed Nut	1
	KH-41-037-10-S	Nameplate, Service	1

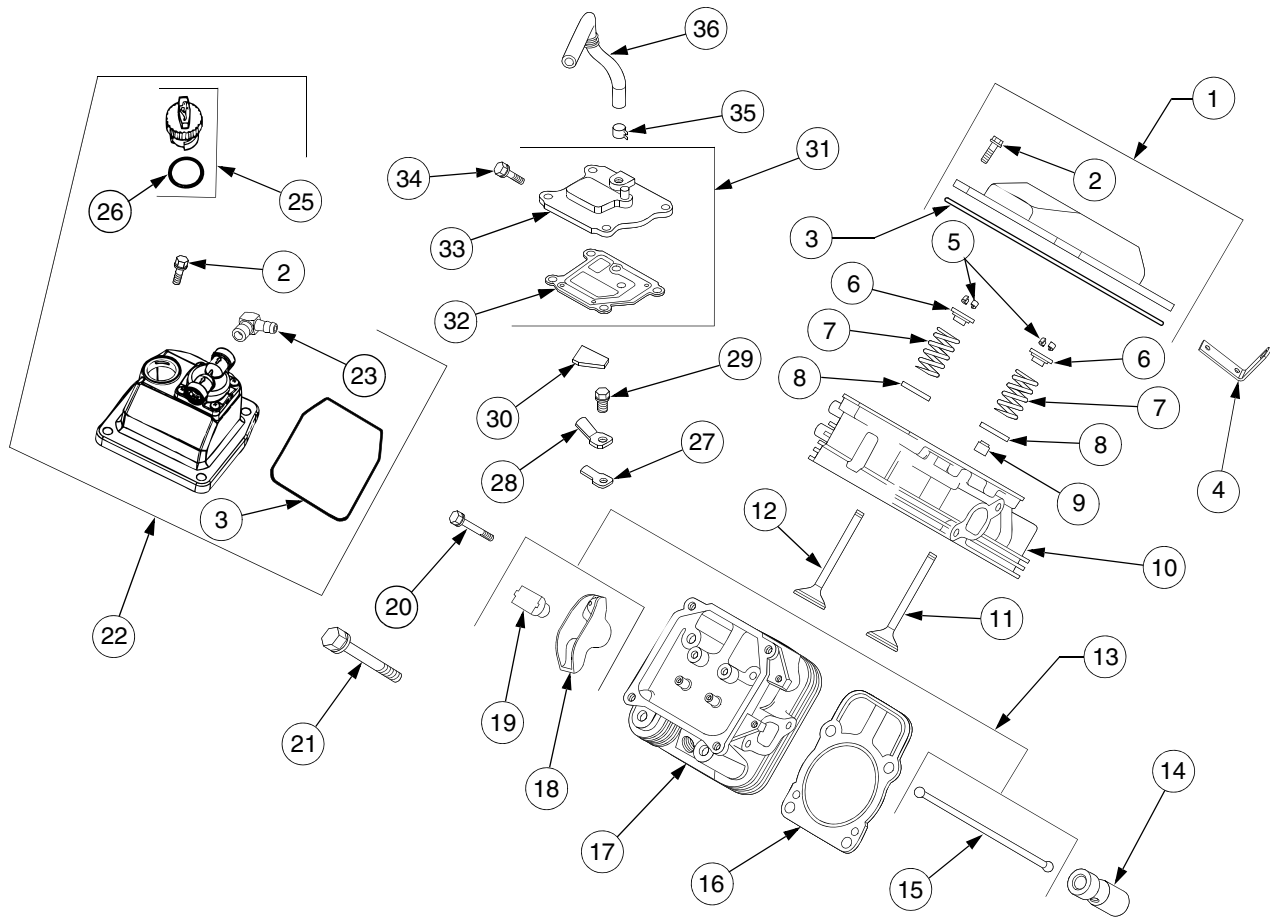
## CRANKCASE



REF. NO.	PART NUMBER	DESCRIPTION	QTY.	REF. NO.	PART NUMBER	DESCRIPTION	QTY.
	KH-CH670-0011	Complete Engine	1	10	KH-12-422-09-S	Shim, Camshaft, .0320 (Red)	AR
	KH-24-522-251	Short Block	1		KH-12-422-13-S	Shim, Camshaft, .0400 (Black)	AR
	KH-24-755-108-S	Gasket Set	1		KH-12-422-07-S	Shim, Camshaft, .0280 (White)	AR
1	KH-24-782-27	Crankcase, (Use Miniblock)	1		KH-12-422-08-S	Shim, Camshaft, .0300 (Blue)	AR
2	KH-25-139-57-S	Plug, Hex Hd, 3/8	2		KH-12-422-10-S	Shim, Camshaft, .0340 (Yellow)	AR
3	KH-24-032-01-S	Seal, Front Oil	1		KH-12-422-11-S	Shim, Camshaft, .0360 (Green)	AR
4	KH-24-380-16-S	Pin, Locating Dowel	6		KH-12-422-12-S	Shim, Camshaft, .0380 (Gray)	AR
5	KH-24-067-24-S	Rod, Connecting, Std	2	11	KH-24-018-09-S	Ring, Retainer	1
	KH-24-067-25-S	Rod, Connection, .010 / .25mm	2	12	KH-M-931010-S	Washer, Nylon	1
6	KH-24-874-34-S	Piston w/Ring Set, Std	2	13	KH-28-032-09-S	Seal, Governor Cross Shaft	1
	KH-24-874-10-	Piston w/Ring Set, .010 / .25mm	2	14	KH-24-468-15-S	Washer, Plain	1
	KH-24-874-11	Piston w/Ring Set, .020 / .50mm	2	15	KH-24-144-38-S	Shaft, Governor Cross	1
	KH-24-874-15	Piston w/Ring Set, .08mm	2	16	KH-52-139-09-S	Plug, Cup	1
7	KH-24-018-01-S	Retainer, Piston Pin	4	17	751-3140	Drain, Oil	1
8	KH-24-108-08-S	Ring Set, Std., .08	2	18	751-3141-12	Hose, Oil Drain	1
	KH-24-108-09-S	Ring Set, .010 / .25mm	2	19	751-3142	Cap	1
	KH-24-108-10-S	Ring Set, .020 / .50mm	2	20	737-0199	Pipe, Straight, 3/8 NPT x 2.0	1
9	KH-24-012-10-S	Camshaft Assembly	1	21	737-0272	Elbow, 90 Degree	1

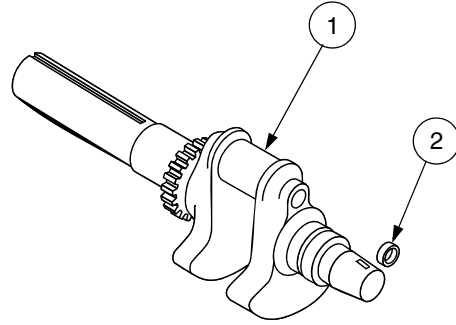


## CYLINDER HEAD, VALVES AND BREATHER



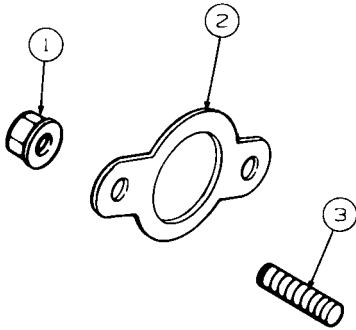
REF. NO.	PART NUMBER	DESCRIPTION	QTY.	REF. NO.	PART NUMBER	DESCRIPTION	QTY.
1	KH-24-755-141-S	Kit, Valve Cover (Includes 2-3)	1	19	KH-24-599-02	Pivot, Rocker Arm	4
2	KH-M-651030-S	Screw, Hex Flng, M6 x1.0 x 30	8	20	KH-M-640034-S	Screw, Hex Flng, M6 x 1.0 x 34	4
3	KH-24-153-28-S	O-Ring, Valve Cover	2	21	KH-12-086-16	Screw, Hex Flng, M10 x 1.5 x 90	8
4	KH-24-445-01	Strap, Lifting	1	22	KH-24-559-10-S	Kit, Fuel Pump Valve Cover	1
5	KH-12-755-03	Kit, Retainer	4	23	KH-25-294-11-S	Fitting, 90°	2
6	KH-12-173-01	Cap, Valve Spring	4	25	KH-24-227-02-S	Cap Assembly, Oil Fill (Incl. 26)	1
7	KH-24-089-02	Spring, Valve	4	26	KH-24-153-09	O-Ring	1
8	KH-235011-S	Retainer, Spring	4	27	KH-24-402-03	Reed, Breather	1
9	KH-66-032-05	Seal, Valve Stem	2	28	KH-66-018-04-S	Retainer, Breather Reed	1
10	KH-24-318-68-S	Head Assembly, #1 Cylinder	1	29	KH-M-0545010	Screw, Hex Flng, M5 x 0.8 x 10	1
11	KH-24-017-01	Valve, Intake Std	2	30	KH-24-050-11-S	Filter, Breather	1
	KH-24-017-02	Valve, Intake, .25mm	2	31	KH-24-033-01	Kit, Breather (Includes 32-34)	1
12	KH-24-016-01	Valve, Exhaust Std	2	32	KH-24-041-51-S	Gasket, Breather	1
	KH-24-016-02	Valve, Exhaust, .25mm	2	33	KH-24-096-86-S	Cover, Breather	1
13	KH-24-755-66	Kit, Valve Train (Incl. 15,18,19)	1	34	KH-M-645020-S	Screw, Hex Flng M6 x 1.0 x 20	4
14	KH-25-351-04-S	Lifter, Valve	4	35	KH-25-237-14-S	Clamp, Breather	1
15	KH-24-411-05	Rod, Push	4	36	KH-24-326-89-S	Hose, Breather	1
16	KH-24-841-02-S	Kit, Cyl. Hd. Gasket (Includes 21)	2		KH-24-755-147-S	Kit, Cylinder Head, Includes Ref. Nos. 5-9, 11, 12, 15, 18-20	2
17	KH-24-318-71-S	Head Assembly, #2 Cylinder	1				
18	KH-25-186-01	Arm, Rocker	4				

## CRANKSHAFT



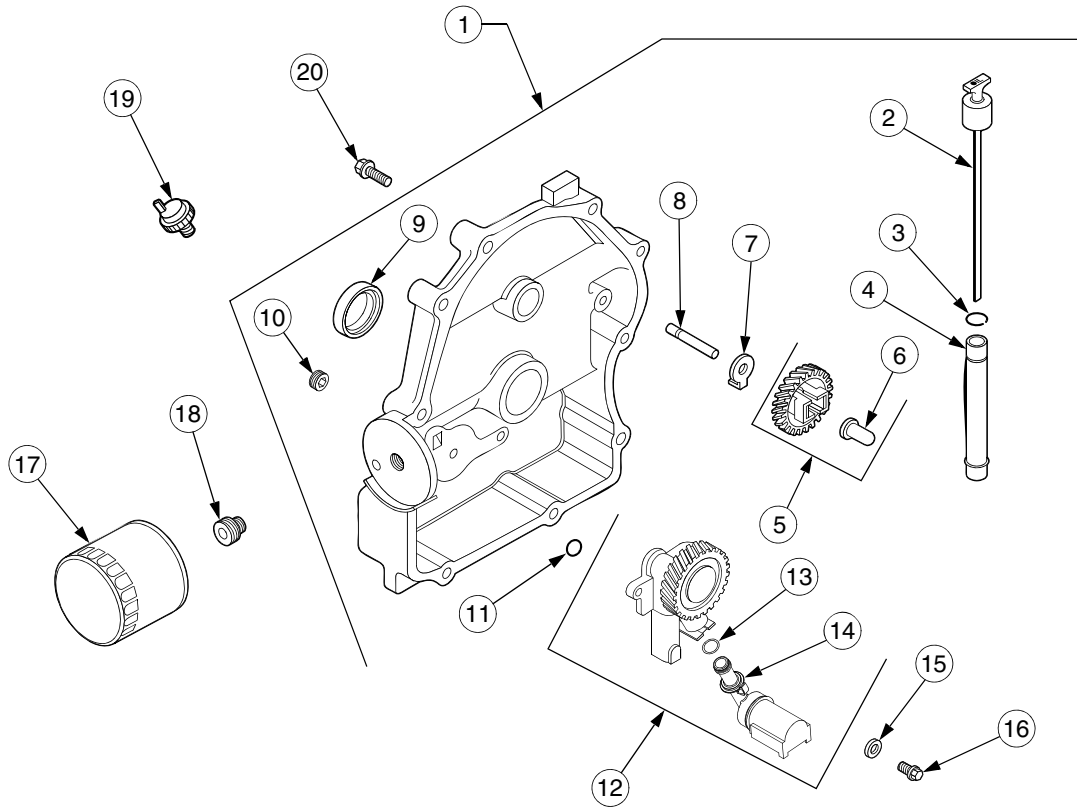
REF. NO.	PART NUMBER	DESCRIPTION	QTY.
1	KH-24-014-84-S	Crankshaft (Incl. Ref #2)	1
2	KH-52-139-09-S	Plug, Cup	1

## EXHAUST



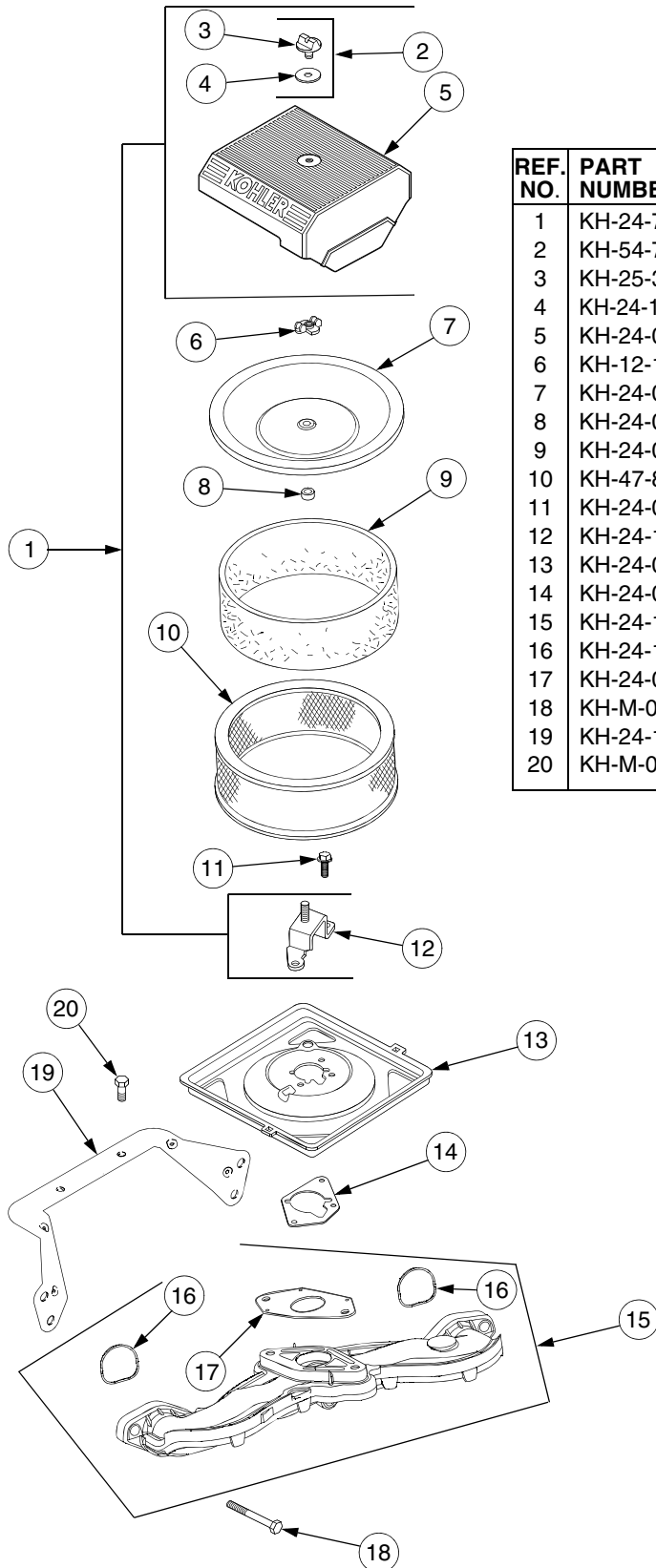
REF. NO.	PART NUMBER	DESCRIPTION	QTY.
1	712-3086	Nut, Muffler Mounting, M8 x 1.25	4
2	721-0377A	Gasket, Exhaust	2
3	KH-25-072-14-S	Stud, Exhaust, M8 x 1.25 x 33	4

## OIL PAN AND LUBRICATION



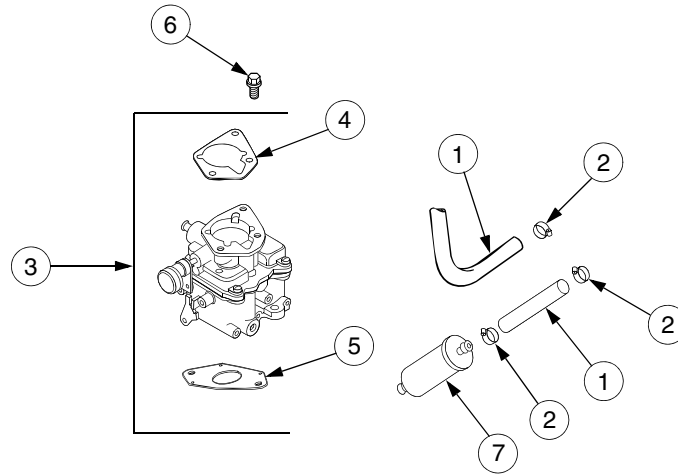
REF. NO.	PART NUMBER	DESCRIPTION	QTY.
1	KH-24-009-98-S	Plate Assy, Closure (Incl. Ref #2-15)	1
2	KH-24-038-08-S	Dipstick	1
3	KH-41-153-01	O-Ring	1
4	KH-24-123-11-S	Tube, Oil Fill/Dipstick	1
5	KH-24-043-12	Kit, Governor Gear (Incl. Ref #6)	1
6	KH-12-380-01	Pin, Governor Regulating	1
7	KH-24-448-02-S	Tab, Locking	1
8	KH-12-144-02	Shaft, Governor Gear	1
9	KH-52-032-08-S	Seal, Oil (PTO end)	1
10	KH-25-139-60-S	Plug, Pipe 1/8	1
11	KH-24-153-08	O-Ring	1
12	KH-24-393-51-S	Oil Pump Assy (Incl. Ref #13-14)	1
13	KH-24-153-01	O-Ring, Oil Pick-up	1
14	KH-24-381-04	Pick-up, Oil	1
15	KH-M-0631005	Washer, Plain	2
16	KH-M-0645025	Screw, Hex Flange, M6 x 1.0 x 25	2
17	KH-12-050-01-S	Filter, Oil	1
18	KH-24-136-01	Nipple, Oil Filter	1
19	KH-25-099-27-S	Switch, Pressure	1
20	KH-24-086-17-S	Screw, Hex Flange, M8 x 1.25 x 45	1

## AIR INTAKE AND FILTRATION



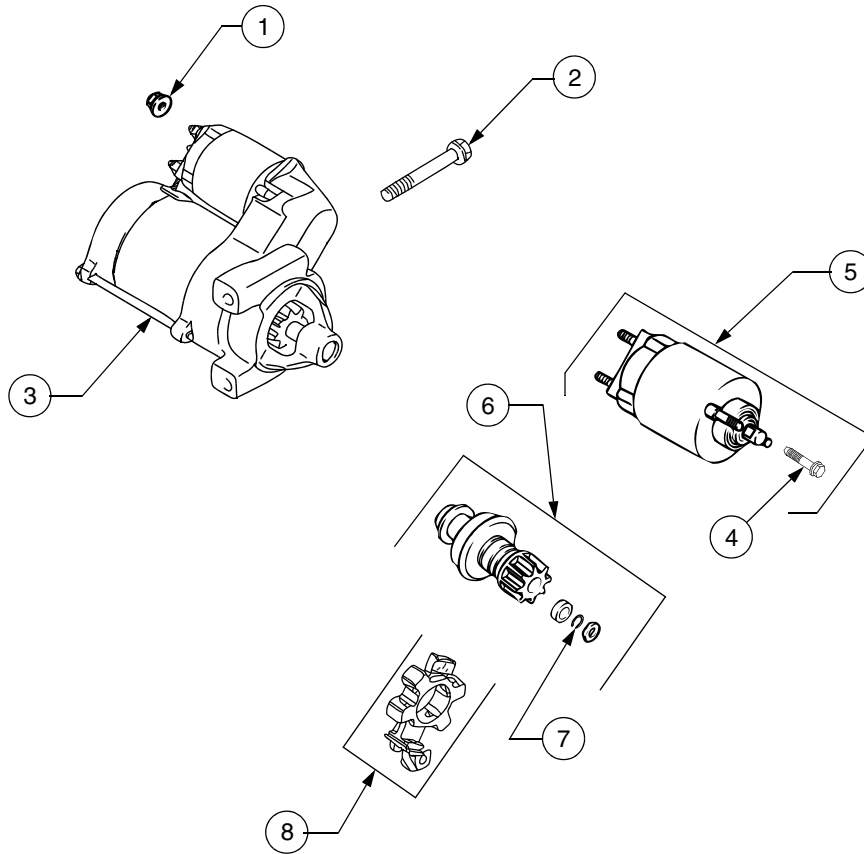
REF. NO.	PART NUMBER	DESCRIPTION	QTY.
1	KH-24-743-08	Kit, Air Cleaner Cover (Incl. 2-5, 12)	1
2	KH-54-755-01-S	Kit, Knob w/Seal (Incl. Ref #2,3)	1
3	KH-25-341-04-S	Knob, Cover	1
4	KH-24-153-20-S	Seal, Air Cleaner Cover Knob	1
5	KH-24-096-69-S	Cover, Air Cleaner	1
6	KH-12-100-01	Wing Nut	1
7	KH-24-096-01	Cover, Inner Air Cleaner	1
8	KH-24-032-03	Seal, Inner Air Cleaner	1
9	KH-24-083-02	Precleaner, Element	1
10	KH-47-883-03-S1	Element, Air Cleaner	1
11	KH-24-086-53-S	Screw, Hex Flng, M6 x 1.0 x 16	2
12	KH-24-126-21	Bracket, Air Cleaner Base	1
13	KH-24-094-39-S	Base, Air Cleaner	1
14	KH-24-041-06	Gasket, Air Cleaner Base	1
15	KH-24-164-54-S	Manifold, Intake (Includes 16,17)	1
16	KH-24-153-27-S	O-Ring, Intake Manifold	2
17	KH-24-041-53-S	Gasket, Carburetor	1
18	KH-M-0651040-S	Screw, Hex Flange, M6 x 1.0 x 40	4
19	KH-24-126-130-S	Bracket, Air Cleaner Base	1
20	KH-M-0545010	Screw, Hex Flange, M5 x .8 x10	2

## FUEL SYSTEM



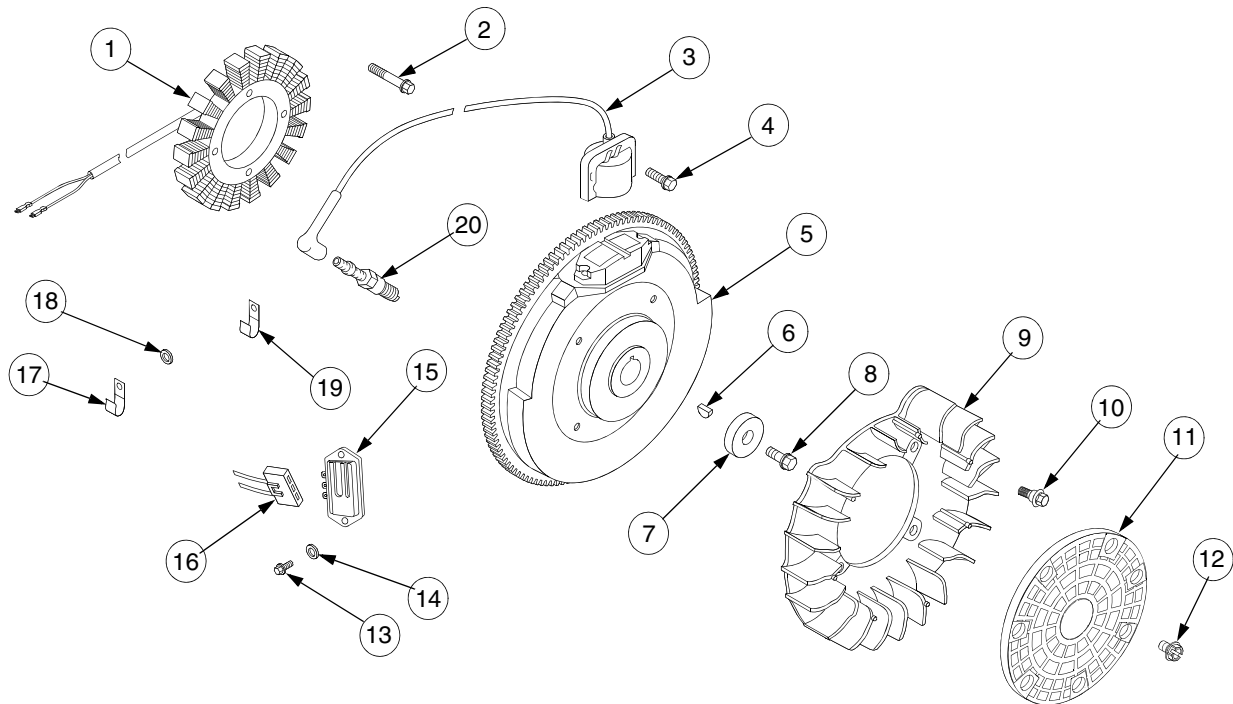
REF. NO.	PART NUMBER	DESCRIPTION	QTY.
1	KH-25-111-34-S	Line, Fuel (24" - Cut to Length)	2
3	KH-25-237-14-S	Clamp, Hose	4
3	KH-24-853-59-S	Kit, Carburetor w/Gasket (Includes 2,3)	1
4	KH-24-041-06	Gasket, Air Cleaner Base	1
5	KH-24-041-53-S	Gasket, Carburetor	1
6	KH-25-086-124-S	Screw, Hex Flange, M6 x 1.0 x 25	2
7	KH-24-050-10-S	Filter, Fuel	1
		<b>Not Illustrated</b>	
	KH-24-518-24-S	Lead, Ground	1
	KH-24-757-01	Kit, Solenoid	1
	KH-24-757-02-S	Kit, Float Repair	1
	KH-24-757-03-S	Kit, Carburetor Repair	1
	KH-24-757-07	Kit, Choke Repair	1
	KH-24-755-125-S	Kit, High Altitude	1

## ELECTRIC START



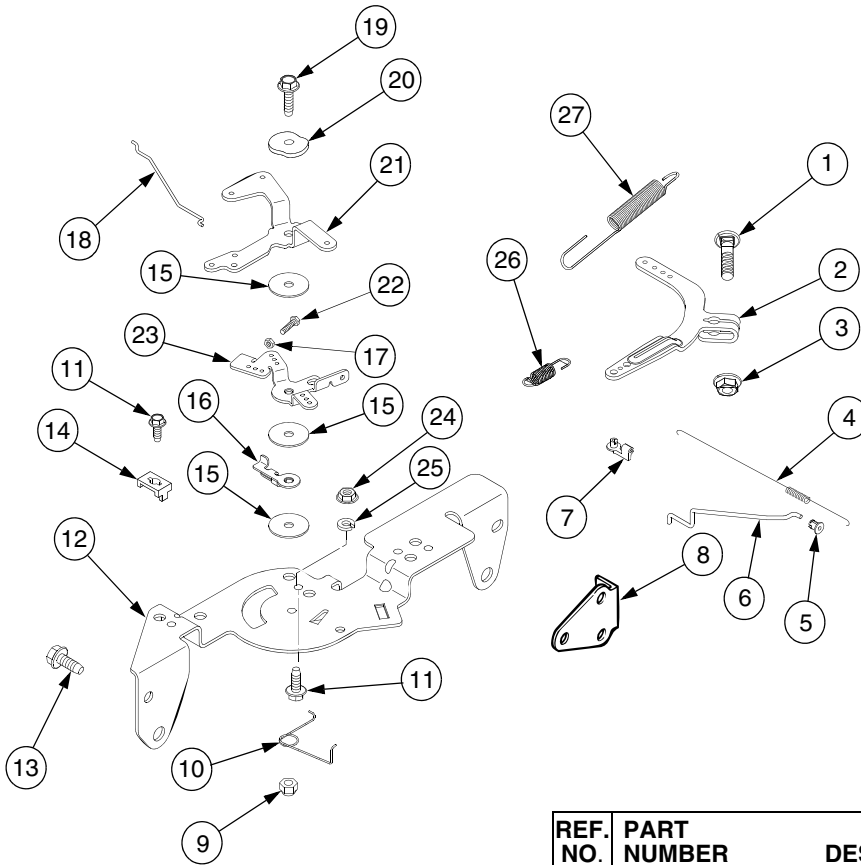
REF. NO.	PART NUMBER	DESCRIPTION	QTY.
1	KH-M-0841080	Nut, Hex Flange M8 x 1.25"	1
2	KH-M-839080	Screw, Hex Flange M8 x 1.25 x 80	2
3	KH-25-098-09-S	Starter, Solenoid Shift Assembly . (Includes 4-8)	1
4	KH-25-086-113-S	Screw, External Torx Hd.	3
5	KH-25-435-06-S	Kit, Solenoid	1
6	KH-25-755-33-S	Kit, Pinion Drive (Includes 7)	1
7	KH-25-141-05-S	Ring, Retainer	1
8	KH-25-221-01-S	Kit, Brush	1

## IGNITION, ELECTRICAL AND FLYWHEEL



REF. NO.	PART NUMBER	DESCRIPTION	QTY.
1	KH-237878	Stator Kit, 15 Amp	1
2	KH-M-548025-S	Screw, Stator Mtg. M5 x .8 x 25	2
3	KH-24-584-45-S	Module, Ignition	2
4	KH-M-545020-S	Screw, Module M5 x .8 x 20	4
5	KH-24-025-48-S	Flywheel Assembly	1
6	KH-X-42-15	Key	1
7	KH-12-468-03	Washer, Flat, 13/32	1
8	KH-12-086-14	Screw, Flange M10x1.5 x 45	1
9	KH-24-157-11-S	Fan	1
10	KH-25-086-47	Bolt, Shoulder	4
11	KH-24-162-36-S	Screen, Grass	1
12	KH-25-086-126-S	Screw, Sems	4
13	KH-24-086-18	Screw Phillips Hd., #11-16 x .875	2
14	KH-X-25-92	Washer, Plain	2
15	KH-41-403-09-S	Regulator - Rectifier	1
16	KH-236602-S	Connector, Regulator-Rectifier	1
17	KH-235173	Clip, Cable	1
18	KH-X-25-63	Washer, Plain 1/4"	1
19	KH-12-154-01	Clip, Cable	1
20	759-3336	Spark Plug	2
		<b>Not Illustrated</b>	
	KH-24-176-08	Harness, Wire	1
	KH-24-126-137-S	Bracket, Ground Strap	1
	KH-25-086-91-S	Screw, Tapping	2
	KH-24-454-03-S	Tie, Wire	2
	KH-25-468-07-S	Washer, Flat	1

## ENGINE CONTROLS

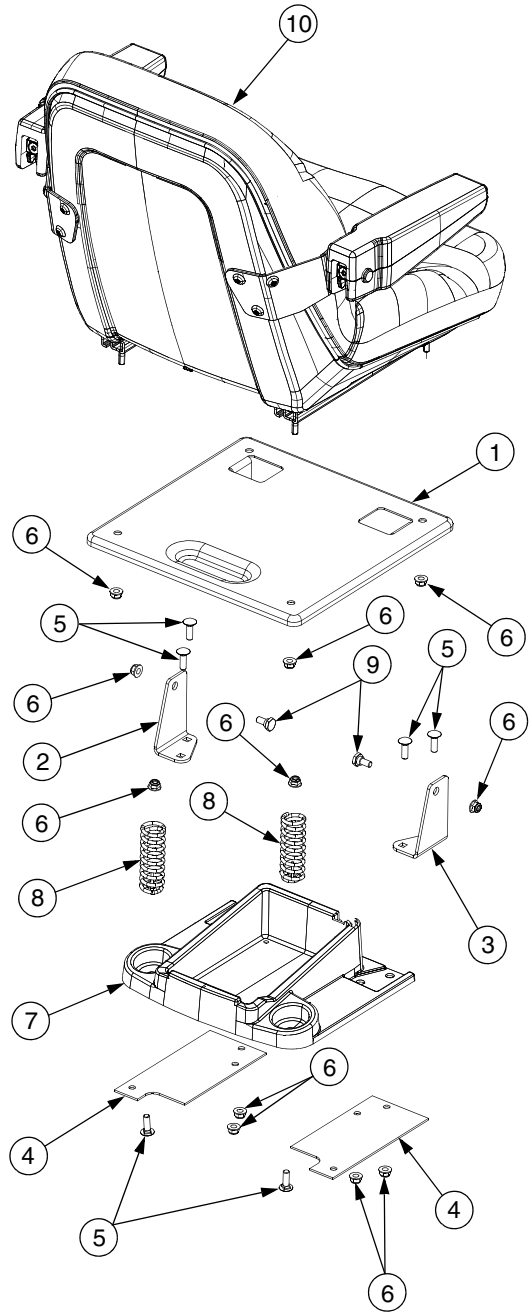


REF. NO.	PART NUMBER	DESCRIPTION	QTY.
1	KH-24-211-03-S	Screw, Round Hd. Square Neck	1
2	KH-24-090-33-S	Lever, Governor	1
3	KH-M-641060-S	Nut, Hex Flange M6 x 1.0	1
4	KH-24-089-01	Spring, Linkage	1
5	KH-25-158-08	Bushing, Linkage Retaining	1
6	KH-24-079-01	Linkage, Throttle	1
7	KH-25-158-11	Bushing, Linkage Retaining	1
8	KH-24-126-04	Bracket, Support	2
9	KH-M-547050-S	Nut, Hex Lock M5 x 0.8	1
10	KH-24-089-03	Spring, Choke Return	1
11	KH-M-545016-S	Screw, Hex Flange M5 x 0.8 x 16	3
12	KH-24-126-56	Bracket, Control	1
13	KH-M-645016-S	Screw, Hex Flange M6 x 1.0 x 16	4
14	KH-12-237-01	Clamp, Cable	2
15	KH-24-468-01	Washer, Plain 5.5mm	3
16	KH-24-090-07	Lever, Throttle Actuator	1
17	KH-M-446030-S	Nut, Hex M4 x 0.7	1
18	KH-24-079-21-S	Linkage, Choke	1
19	KH-M-545020-S	Screw, Hex Flange M5 x 0.8 x 20	1
20	KH-41-468-03	Washer, Spring 1/4"	1
21	KH-24-090-05	Lever, Choke	1
22	KH-M-401030	Screw, Hex Cap M4 x 0.7 x30	1
23	KH-24-090-13	Lever, Throttle Control	1
24	KH-M-541050-S	Nut, Hex	1
25	KH-X-20-1	Washer	1
26	KH-24-089-44-S	Spring, Governor	1
27	KH-24-089-51-S	Spring, Throttle Limiter	1

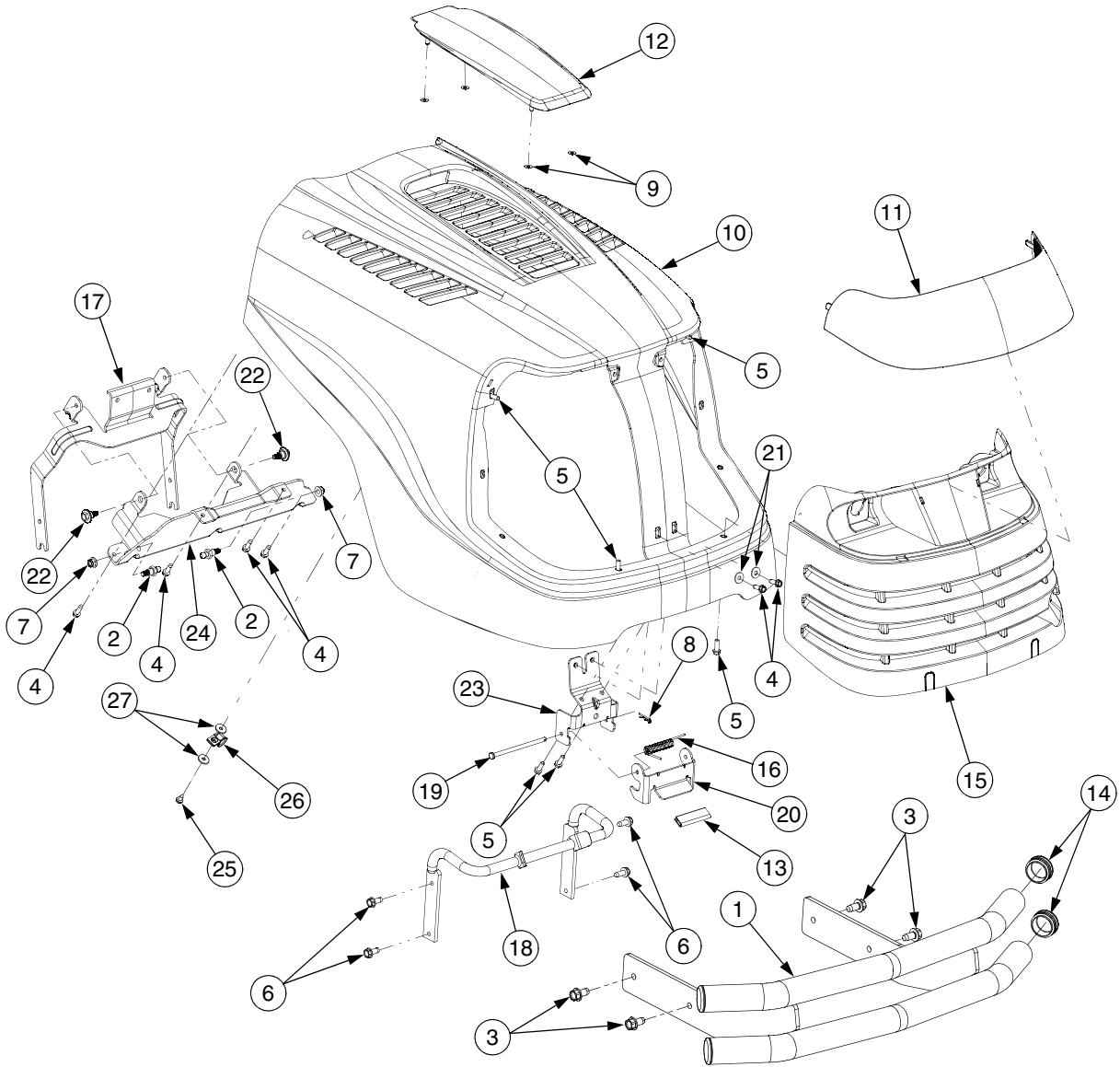


## SEAT AND SUPPORT

REF. NO.	PART NUMBER	DESCRIPTION	QTY.
1	703-05861A 777I20310	Seat, Base Graphic, Seat Adjuster	1
2	703-05877	Bracket, LH Seat Pivot	1
3	703-05878	Bracket, RH Seat Pivot	1
4	703-2628	Bracket, Fender Reinforcement	2
5	710-0276	Bolt, Carriage, 5/16-18 x 1.0	6
6	712-04063	Nut, Hx Insert Flnge Lck, 5/16-18 GrF	12
7	731-3162A	Tray, Tool	1
8	732-04352	Spring, Compression	2
9	738-0140	Bolt, Shoulder	2
10	757-04042	Seat, High Back w/Arm Rests	1



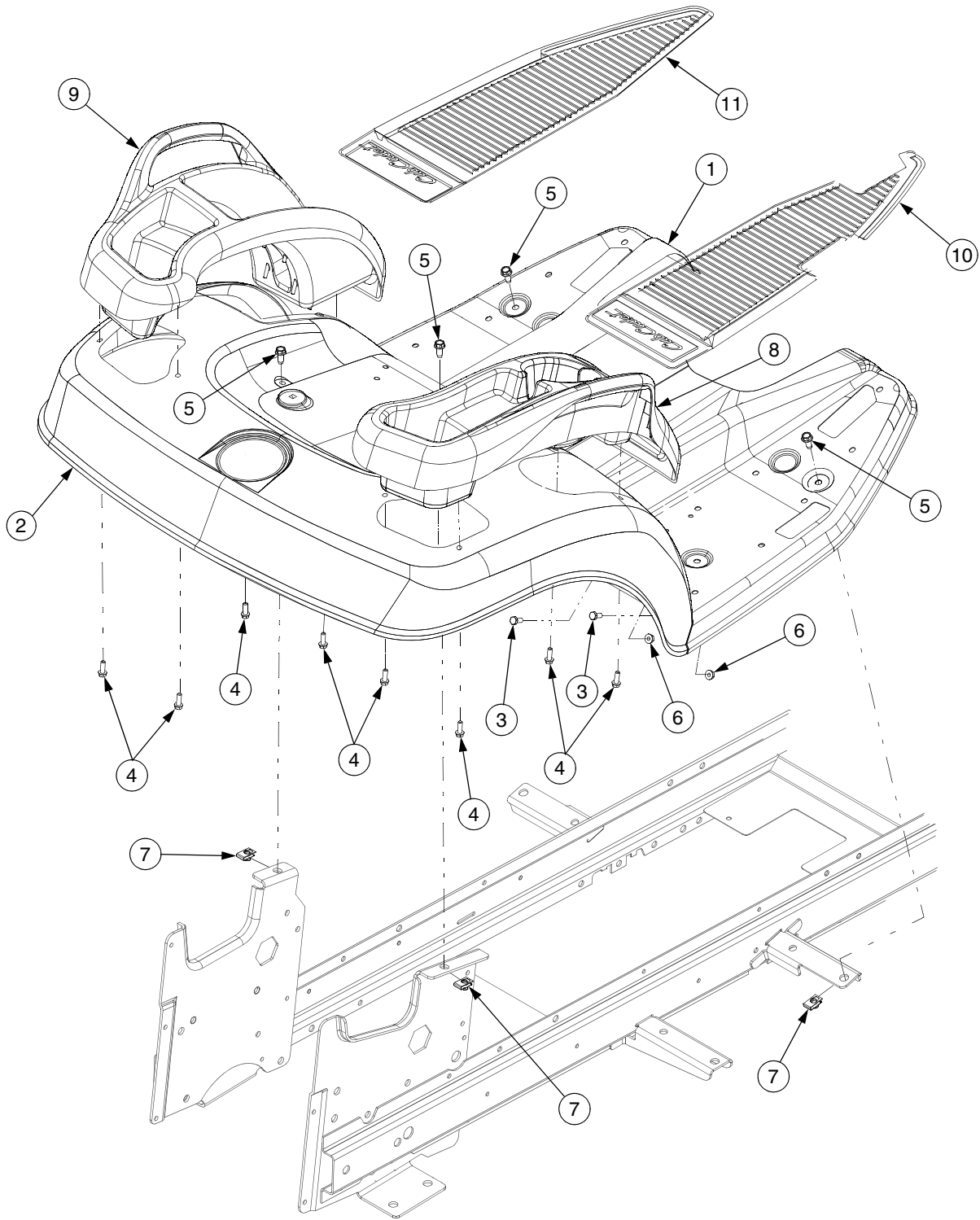
# GRILLE AND HOOD



**GRILLE AND HOOD**

<b>REF. NO.</b>	<b>PART NUMBER</b>	<b>DESCRIPTION</b>	<b>QTY.</b>
1	603-04343	Bumper	1
2	710-04471	Screw, Ball Shoulder, 5/16-18 x.56	2
3	710-0623	Screw, Hx Washer Hd Tapp 3/8-16 x.750	4
4	710-0642	Screw, Hx Washer Hd Tapp 1/4-20 x .750	6
5	710-0895	Screw, 1/4-15 x.750	6
6	710-1260A	Screw, Hx Washer Hd Tapp 5/16- 18 x.750	4
7	712-04063	Nut, Flange Lock, 5/16-18 GR5	2
8	714-0104	Pin, Cotter,.072 Dia. x 1.13	1
9	726-0233	Nut, Push, .25 ID x .50 OD	4
10	731-06011	Hood	1
	777D09638	Graphic, Cub Cadet RH	1
	777D09639	Graphic, Cub Cadet LH	1
	777D09718	Graphic, GT2550 LH	1
	777D09717	Graphic, GT2550 RH	1
11	731-05111	Lens	1
12	731-06010	Cover, Hood	1
13	731-05291	Vinyl Strip, 2.5"	1
14	731-05368	Cap, Bumper	4
15	731-05510	Grill	1
	777X42027	Reflector, Headlight	1
16	732-04281A	Latch Spring	1
17	783-05028	Hood Pivot Bracket	1
18	747-04423A	Hood Latch Rod	1
19	747-1323A	Rod,.250 Dia. x 4.55	1
20	783-04717A	Latch Pivot Bracket	1
21	736-03090	Washer, Flat, .26 x .72 x .06	2
22	738-04091	Screw, Shoulder, .43 x .29;TT:5/16-18	2
23	783-04848	Latch Plate	1
24	783-05029	Pivot Bracket	1
25	710-0224	Screw, Hx Wash, Hd. AB, 10-16 x .5	1
26	726-0272	Clamp, 9/16	1
27	736-0400	Washer, Flat, .194 x .62 x .063	2

# FENDER AND RUNNING BOARD



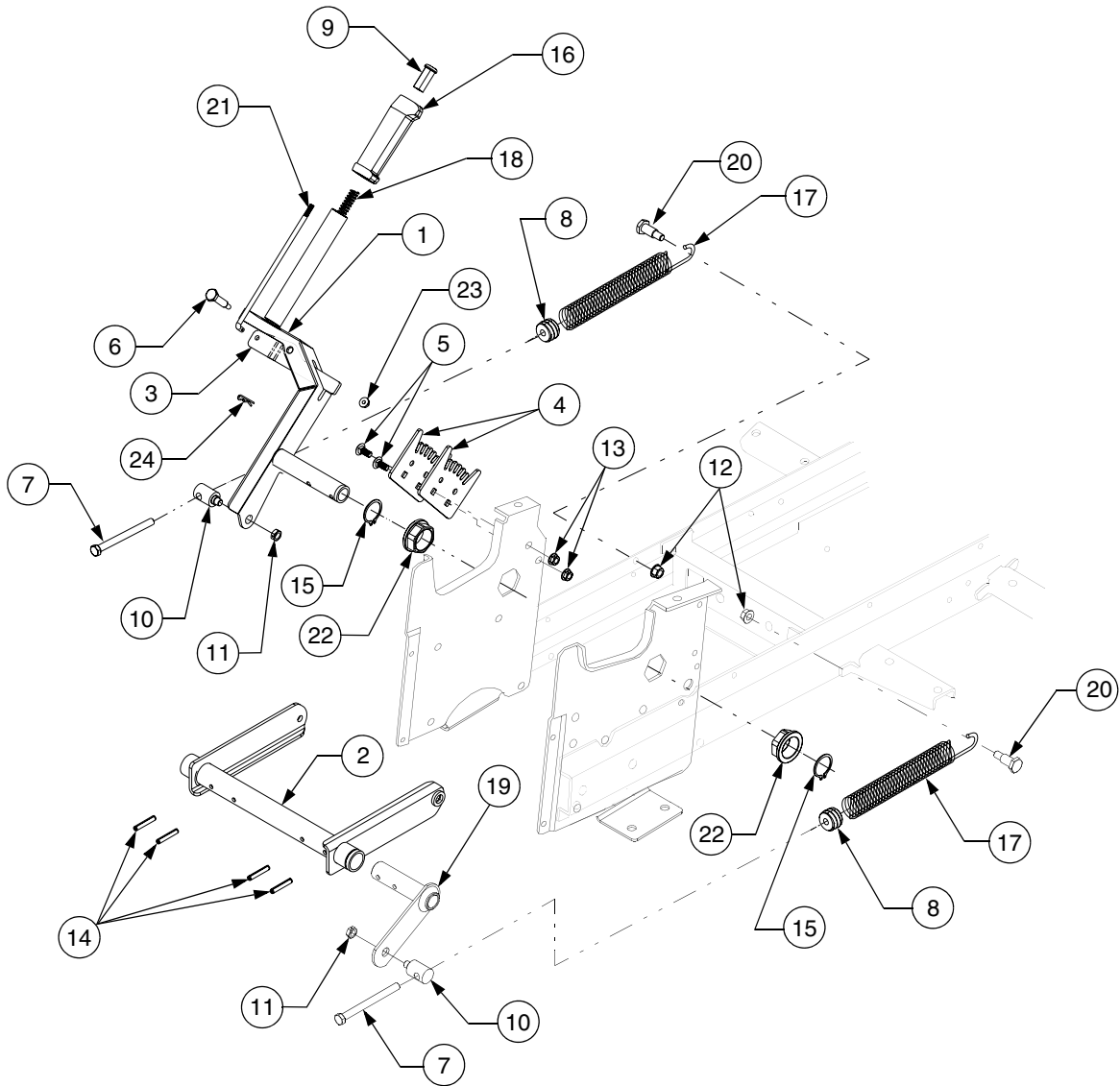
---

**FENDER AND RUNNING BOARD**

<b>REF. NO.</b>	<b>PART NUMBER</b>	<b>DESCRIPTION</b>	<b>QTY.</b>
1	703-05821	Running Board w/Graphic	1
	777S30170	Graphic, Warning	1
	777S32494	Graphic, Danger	1
	777I22604	Graphic, Maintenance	1
	777D10633	Graphic, Cyclo Cut	1
2	703-05860	Fender	1
	777D10279	Graphic, Cub Cadet	1
3	710-3015	Screw, Hex Cap, 1/4-20 x .75 GR5	6
4	710-0895	Screw, 1/4-15 x.750	8
5	710-0602	Screw, Hex Wash Hd Tapp 5/16-18 x 1.0	4
6	712-04064	Nut, Hex Flange Lock, 1/4-20	6
7	726-0211	U-Nut, 5/16-18	4
8	731-05488	Cover, Fender RH	1
9	631-04206A	Cover, Fender LH	1
10	735-3046A	Pad, RH Foot	1
11	735-3047	Pad, LH Foot	1

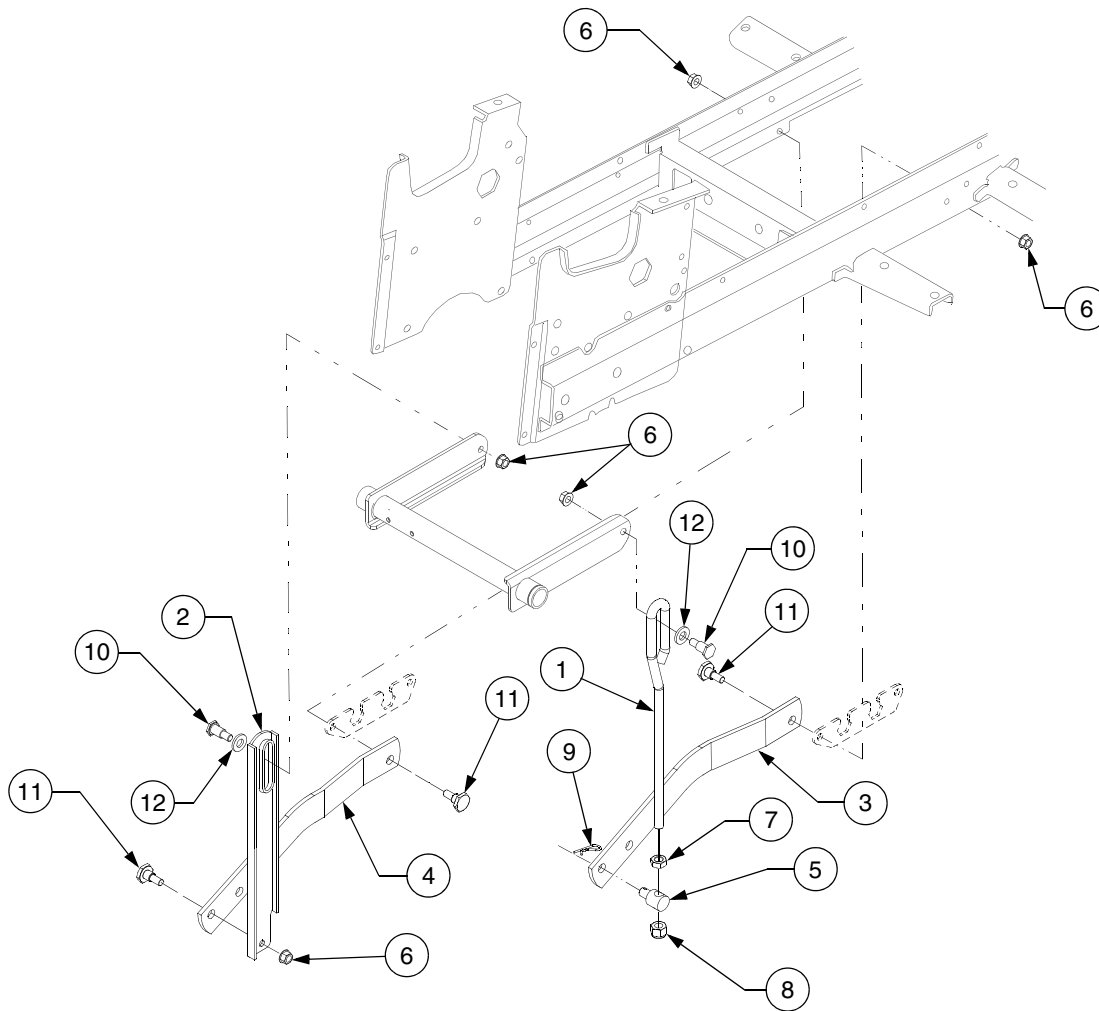
---

### IMPLEMENT LIFT HANDLE



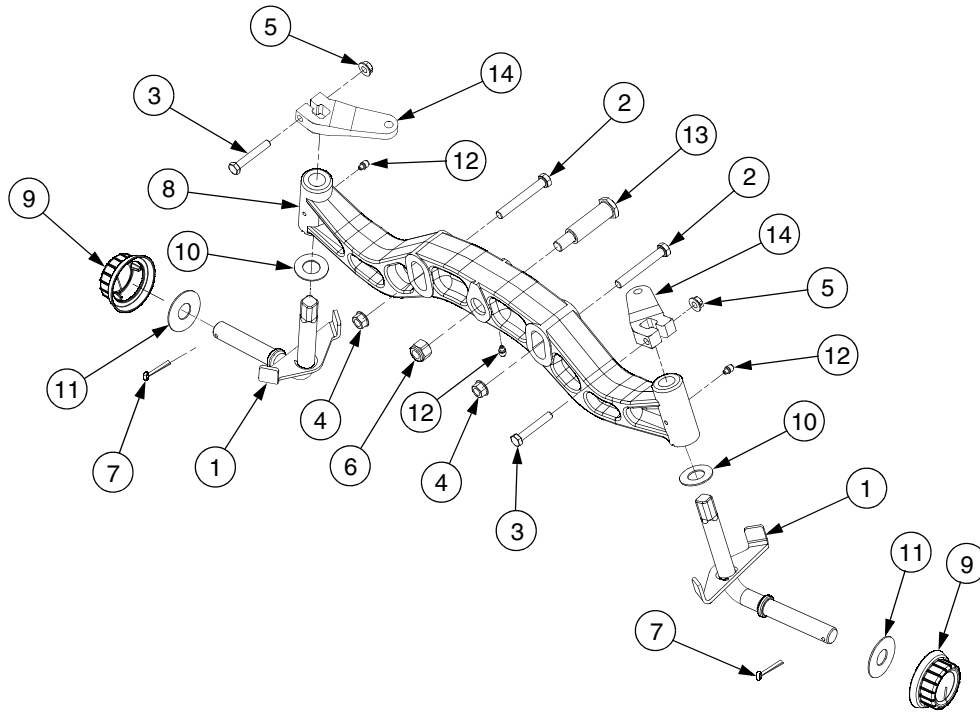
REF. NO.	PART NUMBER	DESCRIPTION	QTY.	REF. NO.	PART NUMBER	DESCRIPTION	QTY.
1	603-04141	Handle Assembly, Lift	1	13	712-04063	Nut, Hex Flanged Top Lock, 5/16-18	2
2	603-04140A	Shaft Assembly, Lift	1	14	715-0114	Pin, Spiral Spring, 1/4 Dia x 1.5	4
3	703-05247	Fork, Lift	1	15	716-0116	Ring, Snap, 1.25 Dia Shaft	2
4	703-2239A	Bracket, Lift Index	2	16	731-3158	Grip, Lift Handle	1
5	710-0451	Bolt, Carriage, 5/16-18 x .75	2	17	732-3093	Spring, Extension	2
6	738-0560	Screw, Shoulder, .374 x 1.375	1	18	732-3097	Spring, Compression	1
7	710-3279	Screw, Hex Cap, 3/8-16 x 4.25 GR5	2	19	603-04139	Arm, Lift Assist RH	1
8	711-0635	Insert, Spring	2	20	738-0145	Bolt, Shoulder	2
9	711-0642A	Button, Handle	1	21	747-3175A	Rod, Index	1
10	711-3350	Ferrule, Adjustment	2	22	748-3051	Bearing, Hex Flange, 1.25 ID	2
11	712-0262	Nut, Hex Center Lock, Jam, 3/8-24	2	23	712-04064	Nut, Hex Flange Lock, 1/4-20	1
12	712-0431	Nut, Hex Flanged Lock, 3/8-16	2	24	714-0104	Pin, Internal Cotter	1

## IMPLEMENT LIFT HANGER



REF. NO.	PART NUMBER	DESCRIPTION	QTY.
1	747-04196	Rod, Lift Link	1
2	703-2234	Bracket, LH Hanger	1
3	703-2832	Link, RH Lift	1
4	703-2833	Link, LH Lift	1
5	711-3319	Ferrule, Adjustment	1
6	712-04065	Nut, Hex Flange Lock, 3/8-16	5
7	712-3048	Nut, Hex Jam, 1/2-13 GR5	1
8	712-3083	Nut, Hex Insert Lock, 1/2-13	1
9	714-0145	Pin, Internal Cotter	1
10	738-0430	Bolt, Shoulder	2
11	738-0507B	Bolt, Shoulder	3
12	736-0326	Washer, Flat, .51 x 1.0 x .125	2

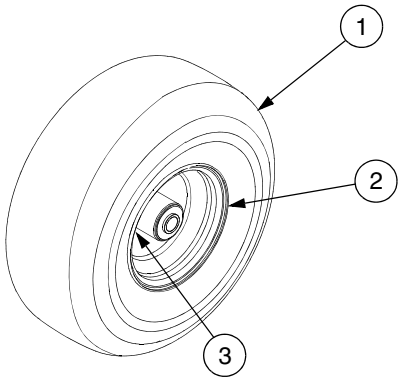
## FRONT AXLE AND CONNECTIONS



REF. NO.	PART NUMBER	DESCRIPTION	QTY.
1	603-04338	Axle Assembly	2
2	710-3066	Screw, Hex Cap, 3/8-16 x 2.75 GR8	2
3	710-3103	Screw, Hex Cap, 5/16-18 x 2 GR5	2
4	712-04065	Nut, Hex Flanged Lock, 3/8-16	2
5	712-04063	Nut, Hex Flange Top Lock, 5/16-18	2
6	712-3083	Nut, Hex Top Nylon Lock, 1/2-13	1
7	714-04039	Pin, Cotter, 5/32 x 1.25	2
8	719-3095	Axle, Front Pivot	1
9	731-3020	Hubcap	2
10	736-0188	Washer, Flat, .760 x 1.49 x .06 Thk.	2
11	736-0866	Washer, Flat, .755 x 1.92 x .06	2
12	737-3000	Fitting, Lube, 3/16 Drive Type	3
13	738-3110	Bolt, Pivot Shoulder, 3/4 Dia x 2.23	1
14	748-3049	Arm, Steering	2

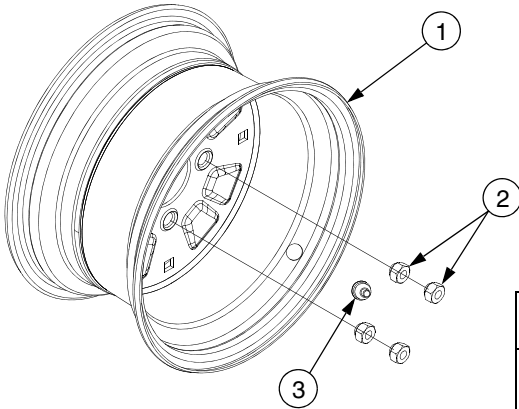


## FRONT WHEEL



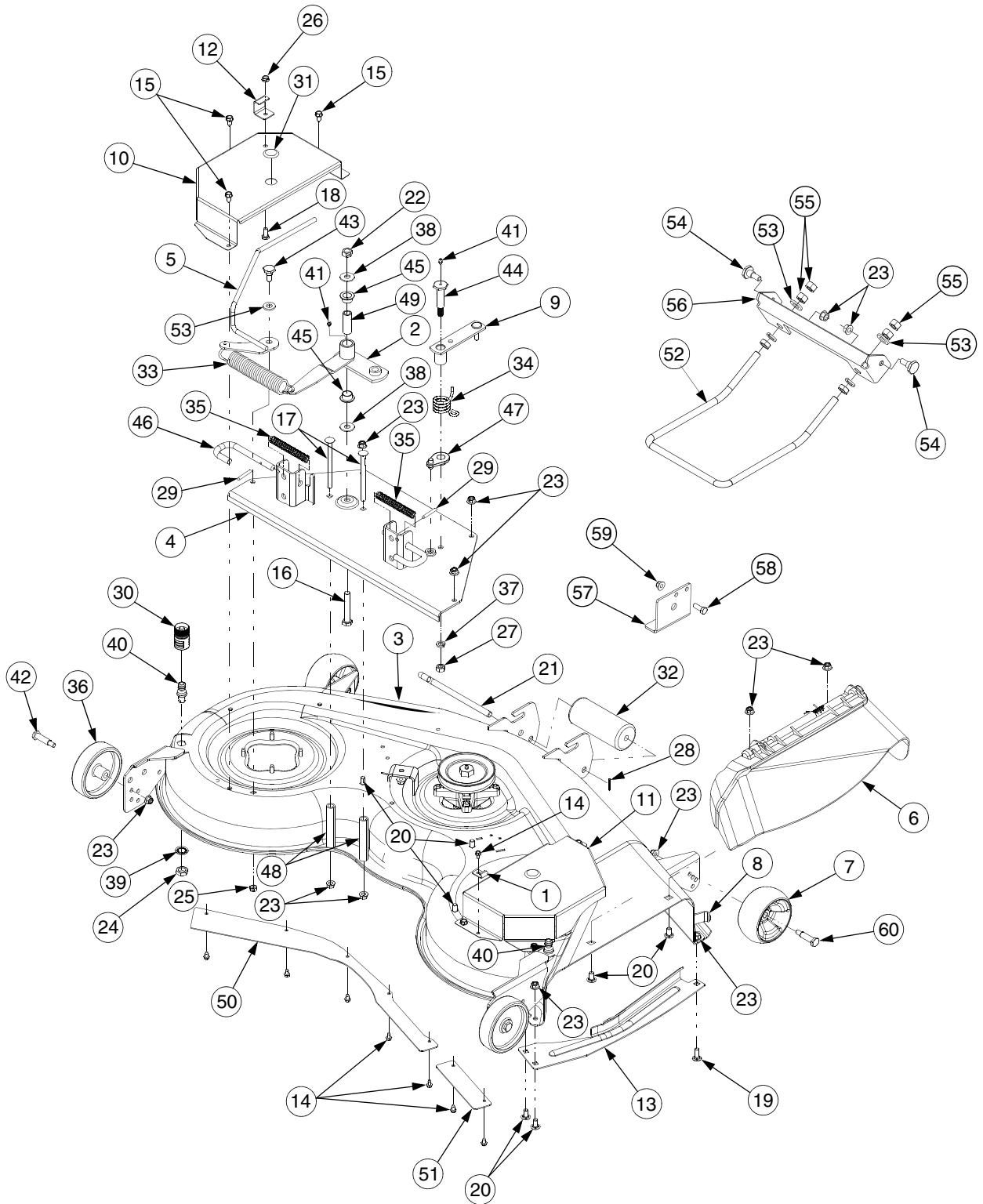
REF. NO.	PART NUMBER	DESCRIPTION	QTY.
1	734-3187A	Tire, Cub Tread, 16 x 6.5 x 8	2
2	634-04090A	Rim Assy, Front	2
	734-0255	Valve, Tubeless Air	2
	741-04137	Bearing, Ball	4
3	737-0224	Fitting, Grease (Not Seen)	4

## REAR WHEEL



REF. NO.	PART NUMBER	DESCRIPTION	QTY.
	734-3190A	Tire, Cub Tread, 23 x 9.5 x 12	2
1	634-3189	Rim Assy, Rear	2
2	712-3050	Nut, Lug, 7/16-14	8
3	734-0255	Valve, Tubeless Air	2

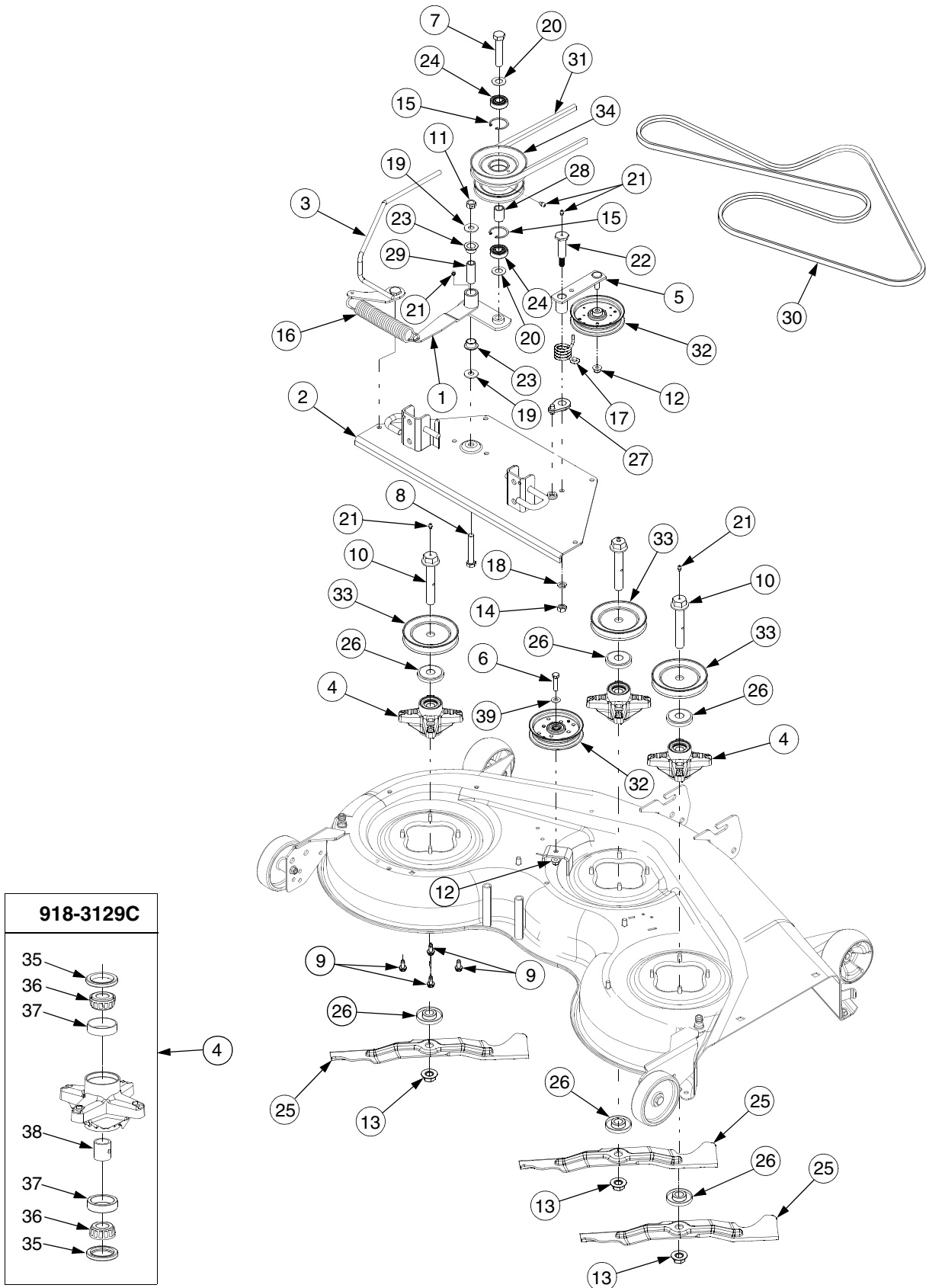
# 50" DECK ASSEMBLY



**50" DECK ASSEMBLY**

REF. NO.	PART NUMBER	DESCRIPTION	QTY.	REF. NO.	PART NUMBER	DESCRIPTION	QTY.
1	16606	Hook, Retainer	1	26	712-3004A	Nut, Hex Flange Lock, 5/16-18 GR5	1
2	603-04094	Arm, Idler	1	27	712-3019	Nut, Hex, 7/16-14 GR2	1
3	603-04215A	Deck Assembly	1	28	714-3004	Pin, Cotter, 3/32 Dia x 1.25	1
	777S30014	Graphic, Caution Spring Tension	1	29	715-3003	Pin, Spirol, 3/16 x .75	2
	777S30015	Graphic, Rider Danger	1	30	721-04041	Adapter, Water Nozzle	1
	777S30503	Graphic, Danger	1	31	726-3045	Plug, Button	2
	777I22485	Graphic, Belt Routing	1	32	731-05679	Roller, Front	1
	777D10641	Graphic, 50" Cut	1	33	732-0861	Spring, Extension, 1.25 OD x 7.2	1
	777D10624	Graphic, Deck Wash	2	34	732-3067	Spring, Torsion	1
4	603-04223	Plate Assembly, Deck Mounting	1	35	732-3127	Spring, Compression	2
5	603-04267	Handle, Tension	1	36	734-0973	Wheel, Gauge	2
6	631-04070A	Chute Assembly	1	37	736-0171	Washer, Lock, 7/16	1
	711-04565	Pin, Hinge, .375 Dia x 14.06	1	38	736-0179	Washer, Flat, .5 x 1.25 x .1	2
	732-04372	Spring, Torsion	1	39	736-0225	Washer, Lock	2
	783-05030	Bracket, Mounting	1	40	737-04003B	Nozzle, Deck Water	2
	777S30284	Graphic, Danger	1	41	737-3000	Fitting, Lube, 3/16 Drive	2
7	734-04155	Wheel, Gauge Ball	2	42	738-0373	Bolt, Shoulder, .498 x 1.53:3/8-16	2
8	703-3279	Bracket, Chute Deflector Stop	1	43	738-0507B	Bolt, Shoulder, .500 Dia x .434	1
9	703-0118	Arm, Idler	1	44	738-3172	Bolt, Shoulder, .68 x 2.11:7/16-14	1
10	703-05546	Shield, Spindle LH	1	45	741-0338	Bearing, Flange	2
11	703-05556	Shield, Spindle RH	1	46	747-3188	Pin, Mower Support	2
12	703-2559	Bracket, Handle Stop	1	47	748-3100	Retainer, Spring	1
13	703-3511	Guard, Finger	1	48	750-04395	Spacer, .405 x .75 x 4.312	2
14	710-0599	Screw, Hex Wash. Hd Tapp 1/4-20 x .5	8	49	750-3136	Spacer, .5 x .75 x 2.07	1
15	710-0726	Screw, Hex Wash. Hd Tapp 5/16-12 x .75	6	50	783-04414A	Skirt, Center	1
16	710-1010	Screw, Hex Cap, 1/2-20 x 3.0 GR8	1	51	783-04415	Skirt, RH	1
17	710-1644	Screw, Carriage, 3/8-16 x 5.0 GR5	2	52	747-3172B	Rod, Front Lift	1
18	710-3008	Screw, Cap, 5/16-18x .75 GR5	1	53	736-3019	Washer, Flat, .531 x 1.062 x .134 HT	3
19	710-3168	Bolt, Carriage, 3/8-16 x 1.0 GR5	1	54	738-0507B	Bolt, Shoulder, .50 Dia. x .494 Lg	2
20	710-3178	Bolt, Carriage, 3/8-16 x .75 GR5	7	55	712-0206	Nut, Hex, 1/2-13 Gr5	2
21	711-3314	Pin, Roller, 1/2 Dia x 7.31	1	56	703-2248	Bracket, Front Lift	1
22	712-0239	Nut, Hex Lock, 1/2-20	1	57	703-05902	Bracket, Up-Stop	1
23	712-0431	Nut, Hex Flange Lock, 3/8-16 GRF	16	58	710-0514	Screw, Hex Cap, 3/8-16 x 1.0 Gr5	1
24	712-0641	Nut, Hex M16-1.5	2	59	712-04065	Nut, Flange Lock, 3/8-16 GrF	1
25	712-3000	Nut, Hex Ctr. Lock, 3/8-16 GRB	1	60	738-3056	Bolt, Shoulder, .496 x 2.5:3/8-16	2

### 50" DECK DRIVE & SPINDLE ASSEMBLY



**50" DECK DRIVE & SPINDLE ASSEMBLY**

<b>REF. NO.</b>	<b>PART NUMBER</b>	<b>DESCRIPTION</b>	<b>QTY.</b>
1	603-04094	Arm, Idler	1
2	603-04223	Plate Assembly, Deck Mounting	1
3	603-04267	Handle, Tension	1
4	918-3129C	Spindle Assembly	3
5	703-0118	Arm, Idler	1
6	710-0520	Screw, Hex Cap, 3/8-16 x 1.5 GR5	1
7	710-0923	Screw, Hex Cap, 5/8-18 x 3 GR5	1
8	710-1010	Screw, Hex Cap, 1/2-20 x 3 GR8	1
9	710-1260A	Screw, Hex Wash. Hd. Tapp 5/16-18 x .75	12
10	710-1336A	Bolt, Spindle, 3/4-16 x 4.25	3
11	712-0239	Nut, Hex Center Lock, 1/2-20	1
12	712-0431	Nut, Hex Flanged Lock, 3/8-16	2
13	712-3078	Nut, Hex Flange, 3/4-16	3
14	712-3019	Nut, Hex, 7/16-14 GR2	1
15	716-3020	Snap Ring, Internal	2
16	732-0861	Spring, Extension, 1.25 OD x 8.15	1
17	732-3067	Spring, Torsion	1
18	736-0171	Washer, Lock, 7/16	1
19	736-0179	Washer, Flat, .5 x 1.25 x .1	2
20	736-0237	Washer, Flat, .65 x 1.25 x .075	2
21	737-3000	Fitting, 3/16 Drive Lube	6
22	738-3172	Bolt, Shoulder, .68 x 2.11:7/ 16-14	1
23	741-0338	Bearing, Flange	2
24	741-1122	Bearing, Ball, .62 x 1.57 x .470	2
25	759-04047	Blade, 2 in 1, 17.9"	3
26	748-3065A	Spacer, Deck Spindle	6
27	748-3100	Retainer, Spring	1
28	750-3132	Spacer, Pulley, .635 ID x .88 OD x	1
29	750-3136	Spacer, Idlr Brkt, .51 ID x .75 OD x	1
30	754-04047	Belt, Spindle, A-Section x 114.13"	1
31	754-04055	Belt, PTO, B-Section x 111.4"	1
32	756-04129	Pulley, Flat Idler, 4.25 OD	2
33	756-3096	V-Pulley	3
34	756-3115	Pulley, Double	1
	737-3000	Fitting, 3/16 Drive	1
35	721-3018A	Seal, Oil, 1.25 x 1.874 x .25	6
36	741-04129	Bearing, Cone	6
37	741-04130	Cup, Bearing	6
38	750-04409	Spacer, Bearing	3
39	736-3050	Washer, Flat, .406 x .812 x .051	1