

MODEL GT2544

TABLE OF CONTENTS

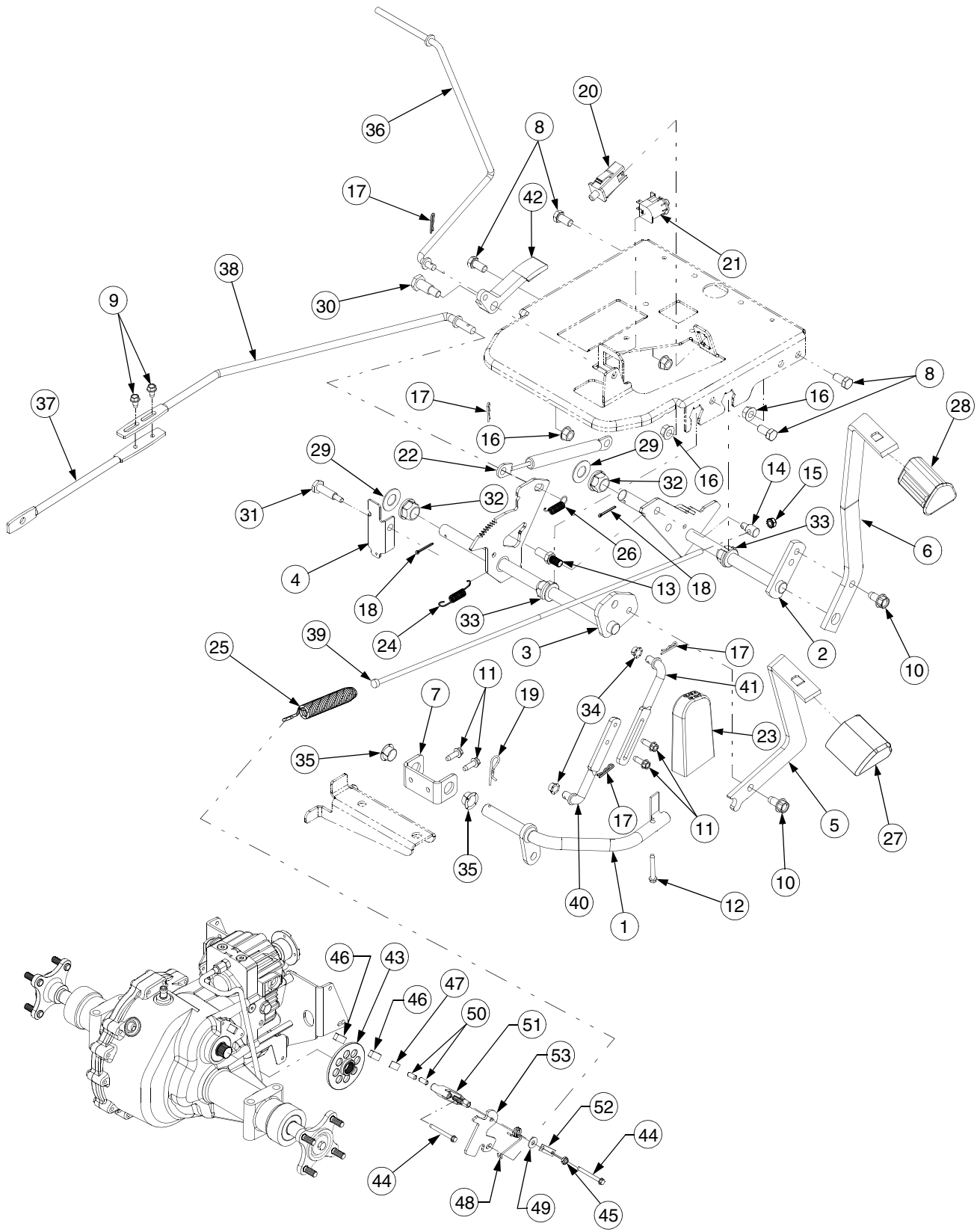
| DESCRIPTION | PAGE | DESCRIPTION | PAGE |
|----------------------------------|------|--|------|
| Axle, Front | 34 | Engine Mounting | 16 |
| Battery | 11 | Fender | 30 |
| Brakes | 2 | Frame | 14 |
| Controls | | Fuel Tank | 15 |
| Engine | 12 | Grille | 28 |
| Pedals | 2 | Hood | 28 |
| Transmission | 2 | Hydraulic Filter | 10 |
| Dash Panel | 12 | Neutral Linkage and Hydraulic Tube | 10 |
| Drawbar | 14 | Hydrostatic Pump | 8 |
| Drive Line | 5 | Implement Lift Handle | 32 |
| Electrical | | Implement Lift Hanger | 33 |
| Switches | 11 | Muffler | 16 |
| Wiring | 11 | PTO Clutch | 15 |
| Engine | | Running Board | 30 |
| Air Filter | 22 | Seat | 27 |
| Blower Housing and Baffles | 17 | Steering | 4 |
| Breather | 19 | Transmission, Hydro | 6 |
| Carburetor | 23 | Wheels, Front & Rear | 35 |
| Controls | 26 | 44" Mower Deck | 36 |
| Crankcase | 18 | | |
| Crankshaft | 20 | | |
| Cylinder Head | 19 | | |
| Electrical | 25 | | |
| Exhaust | 20 | | |
| Flywheel | 25 | | |
| Fuel System | 23 | | |
| Oil Pan | 21 | | |
| Starter | 24 | | |
| Valves | 19 | | |

NOTE: For **painted parts**, please refer to the list of color codes below. Please add the applicable color code, wherever needed, to the part number to order a replacement part.

For instance, if a part, numbered 700-xxxx, is painted Cub Yellow, the part number to order would be 700-xxxx-0716.

Cub Yellow: 0716
 Cub Beige: 0499
 Cub Blue: 0685
 Powder Black: 0637

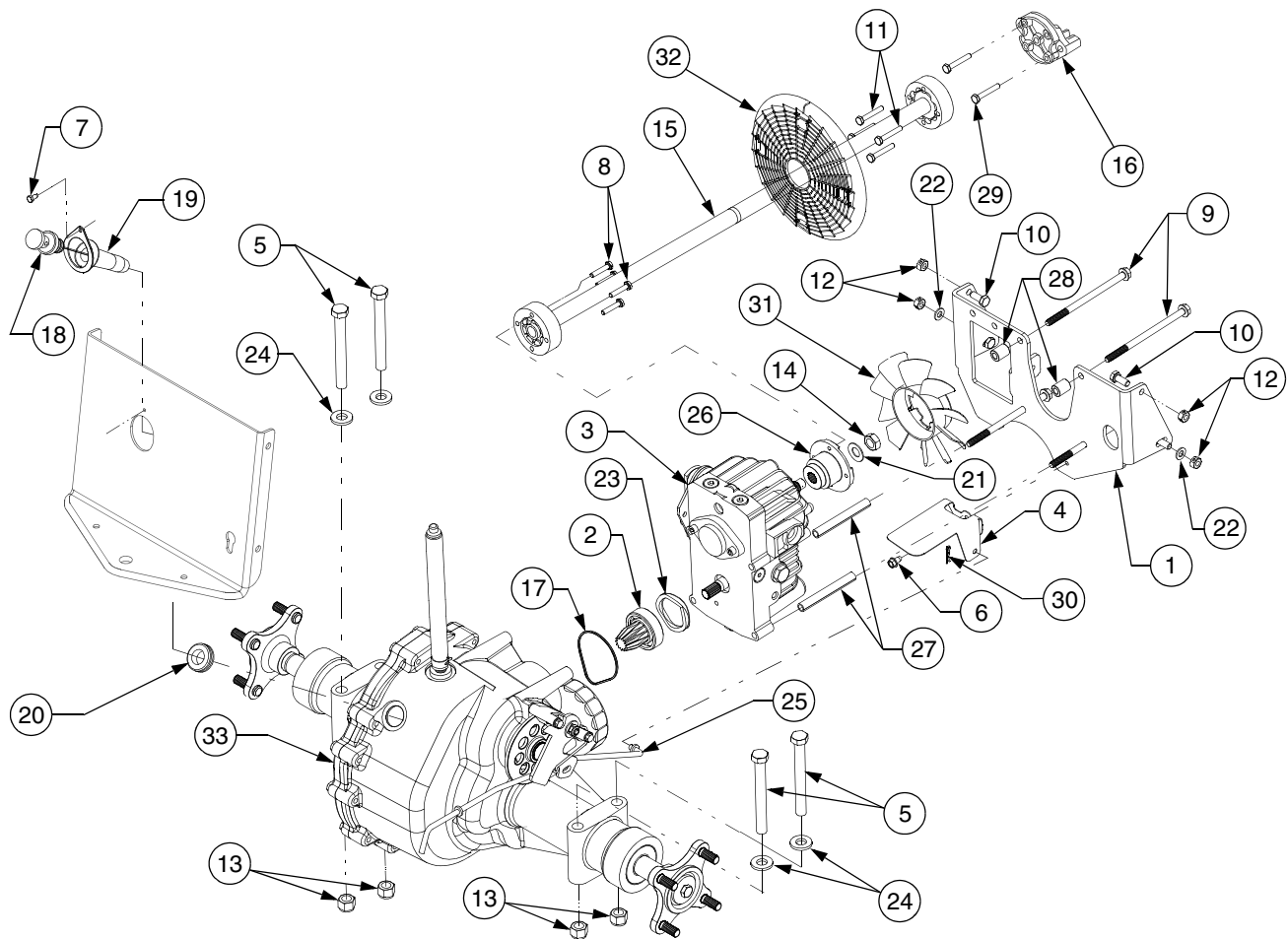
BRAKE AND CONTROL PEDALS



BRAKE AND CONTROL PEDALS

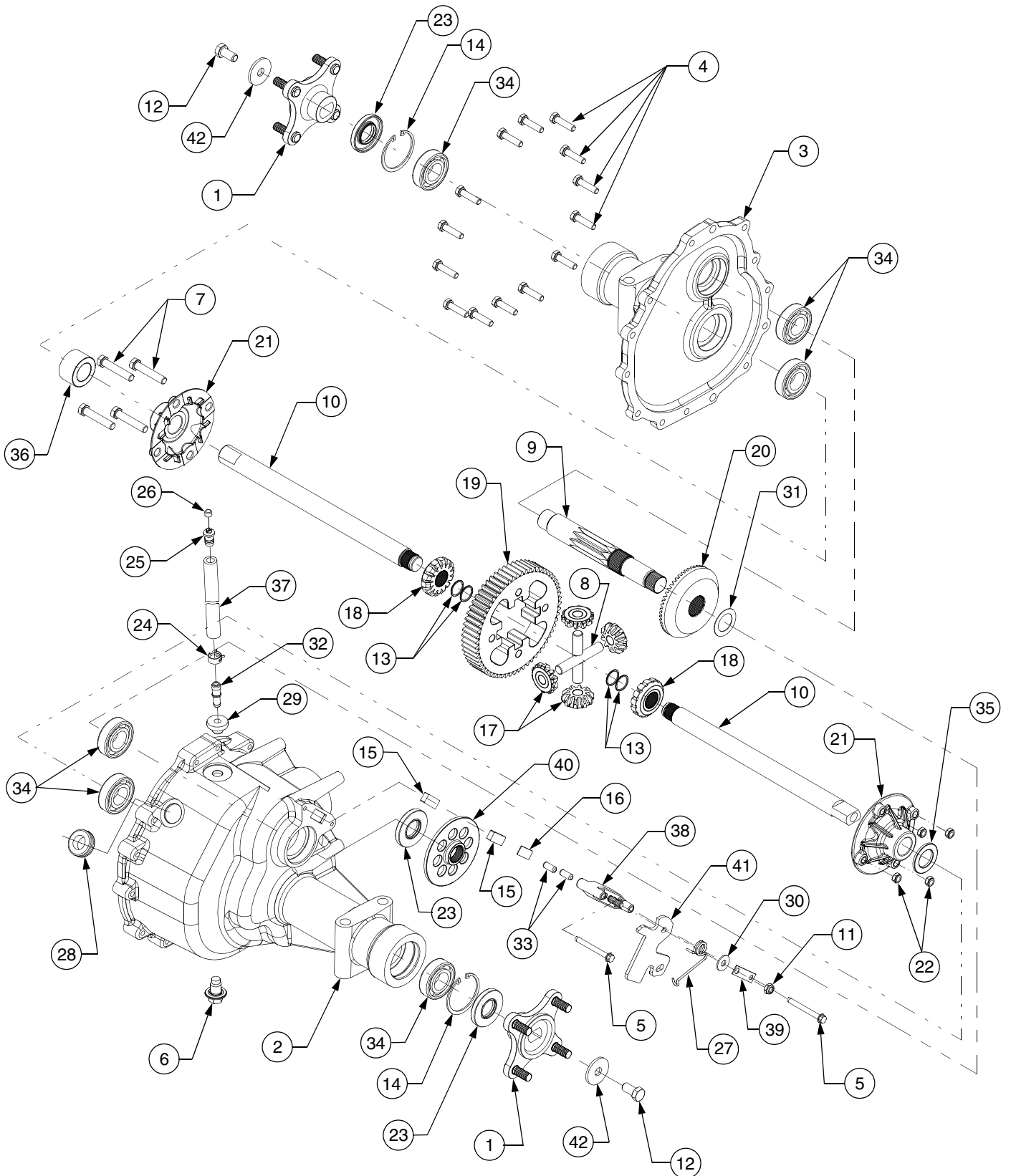
| REF. NO. | PART NUMBER | DESCRIPTION | QTY. | REF. NO. | PART NUMBER | DESCRIPTION | QTY. |
|----------|-------------|--|------|----------|-------------|---|------|
| 1 | 603-0412 | Pedal Assy, Reverse | 1 | 27 | 735-3048 | Pad, Forward Foot Control | 1 |
| 2 | 603-04313 | Shaft Assy, Brake | 1 | 28 | 735-3049 | Pad, Brake Foot | 1 |
| 3 | 603-04314 | Shaft Assy, Forward/Reverse | 1 | 29 | 736-0187 | Washer, Flat, .64 x 1.24 x .06 HT | 2 |
| 4 | 703-05873 | Bracket, Reverse Switch | 1 | 30 | 738-0145 | Shoulder Bolt, .50 OD x .840 | 1 |
| 5 | 703-2570A | Pedal, Forward | 1 | 31 | 738-0572 | Screw, Shoulder, .374 x 1.16 | 1 |
| 6 | 703-2573A | Pedal, Brake | 1 | 32 | 741-0225 | Bearing, Hex Flange | 2 |
| 7 | 703-2938 | Bracket, Reverse Pivot | 1 | 33 | 741-3065B | Bearing, Hex Flange Split | 2 |
| 8 | 710-0216 | Screw, Hex Cap, 3/8-16 x .75 GR5 | 4 | 34 | 741-3073 | Bearing, Flange, .375 x .58 x .25 | 2 |
| 9 | 710-0599 | Screw, Hex Wash Hd Tapp 1/4-20 x .5 | 2 | 35 | 741-3074 | Bearing, Flange, .625 x .938 x .344 | 2 |
| 10 | 710-0623 | Screw, Hex Wash Hd Tapp 3/8-16x .75 | 2 | 36 | 747-04426 | Rod, Cruise | 1 |
| 11 | 710-0642 | Screw, Hex Wash Hd Tapp 1/4-20x .75 | 6 | 37 | 747-04478 | Rod, Rear F/R Control | 1 |
| 12 | 710-0796 | Screw, Truss Mach, #12 x 1.5 | 1 | 38 | 747-04479 | Rod, Front F/R Control | 1 |
| 13 | 711-04543 | Pin, 3/8-16 x 1.0 | 1 | 39 | 747-04516 | Rod, Brake | 1 |
| 14 | 711-0736 | Ferrule, Adjustment, 1/4-20 Thrd | 1 | 40 | 747-3341A | Rod, Rear Connecting | 1 |
| 15 | 712-0271 | Nut, Hex Sems, 1/4-20 | 1 | 41 | 747-3383 | Rod, Front Connecting | 1 |
| 16 | 712-0431 | Nut, Hex Flange Lock, 3/8-16 | 4 | 42 | 748-04102 | Latch, Cruise | 1 |
| 17 | 714-0104 | Pin, Internal Cotter, 5/16 Dia x 1.12 | 4 | 43 | 761-0215 | Disc, Brake | 1 |
| 18 | 714-0111 | Pin, Cotter, 3/32 x 1.0 | 2 | 44 | 710-1206 | Screw, Hex Wash Hd, Tapp, 1/4-20 x 2.375 | 2 |
| 19 | 714-0145 | Pin, Internal Cotter, 3/8 Dia x 1.62 | 1 | 45 | 712-0273 | Nut, Hex Nylon Lock, 5/16-24 | 1 |
| 20 | 725-3164A | Switch, Interlock (Brake) | 1 | 46 | 717-0678 | Pad, Brake | 2 |
| 21 | 725-3167 | Switch, Snap Mount (Reverse) | 1 | 47 | 717-0682 | Plate, Puck | 1 |
| 22 | 727-04141 | Cylinder, Damper, .59 OD x 7.84 Lg | 1 | 48 | 732-0925 | Spring, Torsion | 1 |
| 23 | 731-3205 | Pedal, Reverse | 1 | 49 | 736-0371 | Washer, Flat, .343 x .88 x .062 | 1 |
| 24 | 732-0418 | Spring, Extension, .38 OD x 2.1 | 1 | 50 | 741-0343 | Pin, Brake Actuating | 2 |
| 25 | 732-0463A | Spring, Extension | 1 | 51 | 761-0207A | Yoke, Brake | 1 |
| 26 | 732-3118 | Spring, Extension, .375 OD x 1.44 | 1 | 52 | 761-0208 | Bracket, Brake Anti Rotation | 1 |
| | | | | 53 | 761-3074 | Arm, Brake Actuator | 1 |

DRIVE LINE



| REF. NO. | PART NUMBER | DESCRIPTION | QTY. | REF. NO. | PART NUMBER | DESCRIPTION | QTY. |
|----------|-------------|-------------------------------------|------|----------|--------------|---|------|
| 1 | 603-0707 | Bracket, Torque | 1 | 18 | 727-3195 | Dipstick, Transmission | 1 |
| 2 | 617-3002 | Gear Assembly, Pinion | 1 | 19 | 731-3294 | Holder, Dipstick | 1 |
| 3 | 618-3243 | Transmission, Hydrostatic | 1 | 20 | 735-0277A | Grommet, Rubber, .75 x 1.063 | 1 |
| 4 | 703-4093 | Spring Plate, Hydro Dump | 1 | 21 | 736-0253 | Washer, Belleville | 1 |
| 5 | 710-0465 | Screw, Hex Cap, 1/2-20 x 4.5 GR5 | 4 | 22 | 736-0275 | Washer, Flat, .344 x .688 x .065 | 2 |
| 6 | 710-0599 | Scrw, Hx Wsh Hd Tapp, 1/4-20 x .5 | 1 | 23 | 736-0619 | Washer, Spring | 1 |
| 7 | 710-0919 | Scrw, Hx Wsh Hd Tapp, 10-16 x .44 | 1 | 24 | 736-3019 | Washer, Flat, .531 x 1.062 x .134 | 4 |
| 8 | 710-1062 | Screw, Hex Patch, 1/4-20 x 1.25 GR5 | 4 | 25 | 747-3417A | Rod, Hydro Dump Valve | 1 |
| 9 | 710-1888 | Scrw, Hx Hd Tapp, 5/16-18 x 5.25 | 4 | 26 | 748-3093 | Adapter, Hydro Pump | 1 |
| 10 | 710-3008 | Screw, Hex Cap, 5/16-18 x .75 GR5 | 4 | 27 | 750-3349 | Spacer, Hydro, .323 x .443 3.51 | 2 |
| 11 | 710-3288 | Screw, Hex Patch, 1/4-20 x 1.62 GR5 | 4 | 28 | 750-3350 | Spacer, Hydro, .323 x .600 x .74 | 2 |
| 12 | 712-3009 | Nut, Hex Cntr Lock, 5/16-18 | 4 | 29 | KH-24-086-16 | Screw, Hex Patch, M10-1.5x 90mm | 2 |
| 13 | 712-3058 | Nut, Hex Nylon Lock, 1/2-20 GR2 | 4 | 30 | 714-0104 | Internal Cotter Pin | 1 |
| 14 | 712-3059 | Nut, Hex Top Lock Jam, 1/2-20 | 1 | 31 | 731-3297 | Fan, Pump | 1 |
| 15 | 618-04404 | Shaft, Drive, 30.625 Lg | 1 | 32 | 751K2416234 | Screen, Engine | 1 |
| 16 | 719-3096 | Adapter, Engine | 1 | 33 | | Transmission Assembly, Hydro — See Pages 6-7 for Parts Info. | 1 |
| 17 | 721-0519 | Seal, Gland | 1 | | | | |

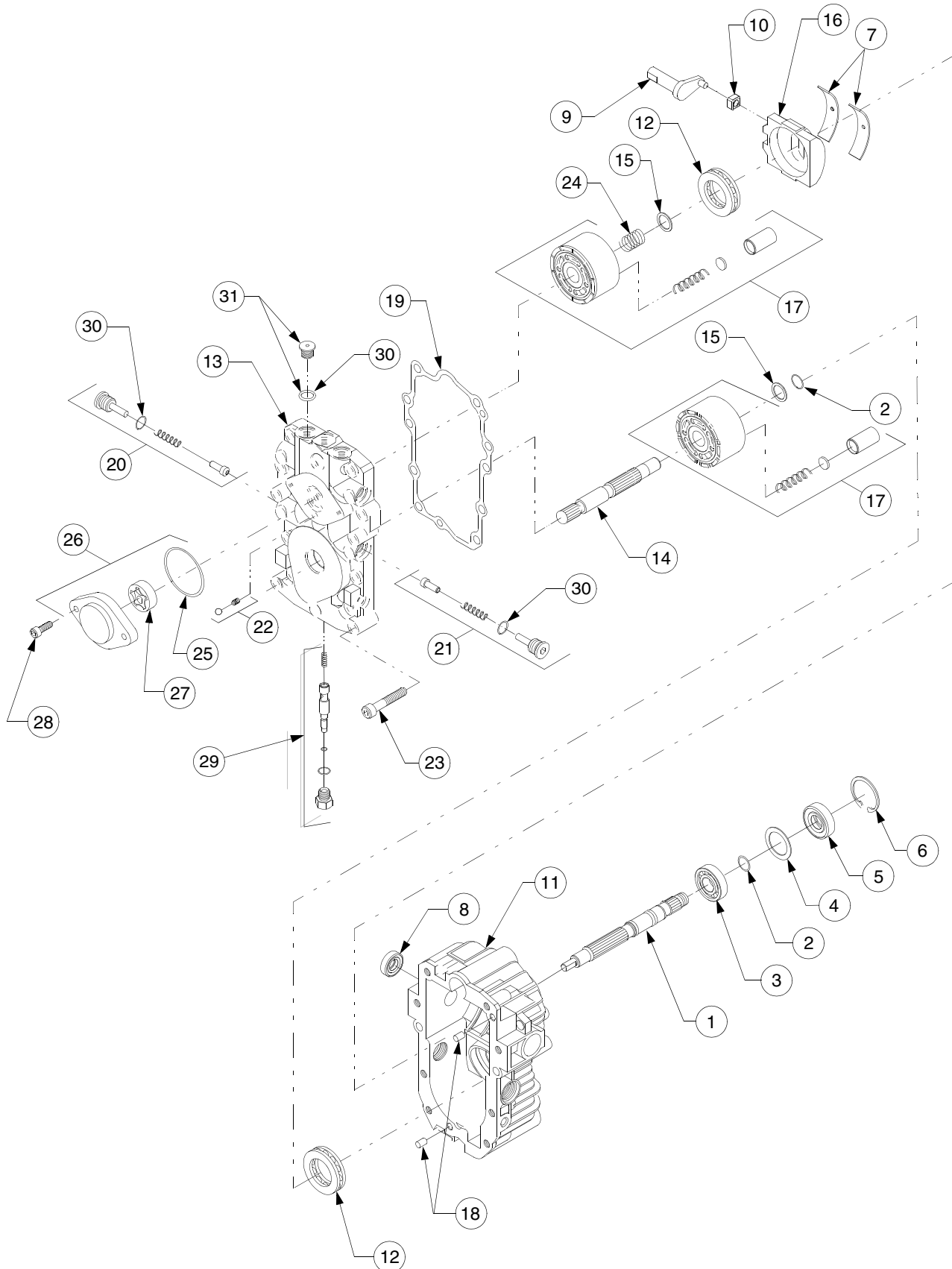
HYDRO TRANSMISSION



HYDRO TRANSMISSION

| REF. NO. | PART NUMBER | DESCRIPTION | QTY. |
|----------|-------------|---|------|
| | 618-04176 | Transmission Assembly, Hydro — Does not include Ref Nos. 1, 12 & 42 | 1 |
| 1 | 618-04317 | Hub Ass'y, Wheel | 2 |
| 2 | 619-3071A | Housing, RH Transmission | 1 |
| 3 | 619-3072 | Housing, LH Transmission | 1 |
| 4 | 710-0573 | Screw, Hex Cap Lock, 5/16-18 x 1.25 GR5 | 14 |
| 5 | 710-1206 | Screw, Hex Wash Hd. Tapp, 1/4-20 x 2.375 | 2 |
| 6 | 710-1633 | Screw, Plug, M14 x 1.5 x .827 | 1 |
| 7 | 710-3144 | Screw, Hex Cap Lock, 3/8-16 x 2.0 GR5 | 4 |
| 8 | 711-1052A | Shaft, Cross, .50 x 3.005 | 2 |
| 9 | 711-1385A | Shaft, Output, 9T | 1 |
| 10 | 711-04233 | Shaft, Axle | 2 |
| 11 | 712-0273 | Nut, Hex Nylon Lock, 5/16-24 | 1 |
| 12 | 710-3119 | Screw, Hex Cap Lock, 3/8-16 x .75 GR5 | 2 |
| 13 | 716-04032 | Ring, Retaining | 4 |
| 14 | 716-0204 | Ring, Retaining | 2 |
| 15 | 717-0678 | Pad, Brake | 2 |
| 16 | 717-0682 | Plate, Puck | 1 |
| 17 | 717-1446 | Gear, Miter, 10T | 4 |
| 18 | 717-04102 | Gear, Miter, 14T | 2 |
| 19 | 717-1568A | Gear, Differential Spur, 60T | 1 |
| 20 | 717-3449 | Gear, Bevel, 54T | 1 |
| 21 | 719-0375A | Housing, Differential w/Thru Holes | 2 |
| 22 | 712-3020 | Nut, Hex Insert Jam GR5, 3/8-16 | 4 |
| 23 | 721-0523 | Seal, Oil, 1.0 x 2.047 x .2755 | 3 |
| 24 | 726-0324 | Clamp, Hose | 1 |
| 25 | 731-1480 | Vent, Plastic | 1 |
| 26 | 731-1481 | Cap, Plastic Vent | 1 |
| 27 | 732-0925 | Spring, Torsion | 1 |
| 28 | 735-0277A | Grommet, Rubber, .75 x 1.063 | 1 |
| 29 | 735-0279 | Grommet, Rubber, .362 x .56 | 1 |
| 30 | 736-0371 | Washer, Flat, .343 x .88 x .062 | 1 |
| 31 | 736-0615 | Washer, Thrust, 1.007 x 1.542 x .03 | 1 |
| 32 | 737-3092 | Fitting, Tube | 1 |
| 33 | 741-0343 | Pin, Brake Actuating | 2 |
| 34 | 741-3114 | Bearing, Ball (6205-1) | 6 |
| 35 | 750-3346 | Spacer, Axle, 1.007 x 1.665 x .141 | 1 |
| 36 | 750-3358 | Spacer, Axle, 1.007 x 1.665 x .989 | 1 |
| 37 | 751-0588-8 | Tube, Transmission Breather | 1 |
| 38 | 761-0207A | Yoke, Brake | 1 |
| 39 | 761-0208 | Bracket, Brake Anti Rotation | 1 |
| 40 | 761-0215 | Disc, Brake | 1 |
| 41 | 761-3074 | Arm, Brake Actuator | 1 |
| 42 | 736-0227 | Washer, Flat, .39 x 1.5 x .134 | 2 |
| | 759-3958 | Sealant, Loctite Black, 5.3 oz. Tube | 1 |
| | 737-3120 | Drive System Fluid Plus - Quart | 5.5 |
| | 737-3121 | Drive System Fluid Plus - Gallon | AR |

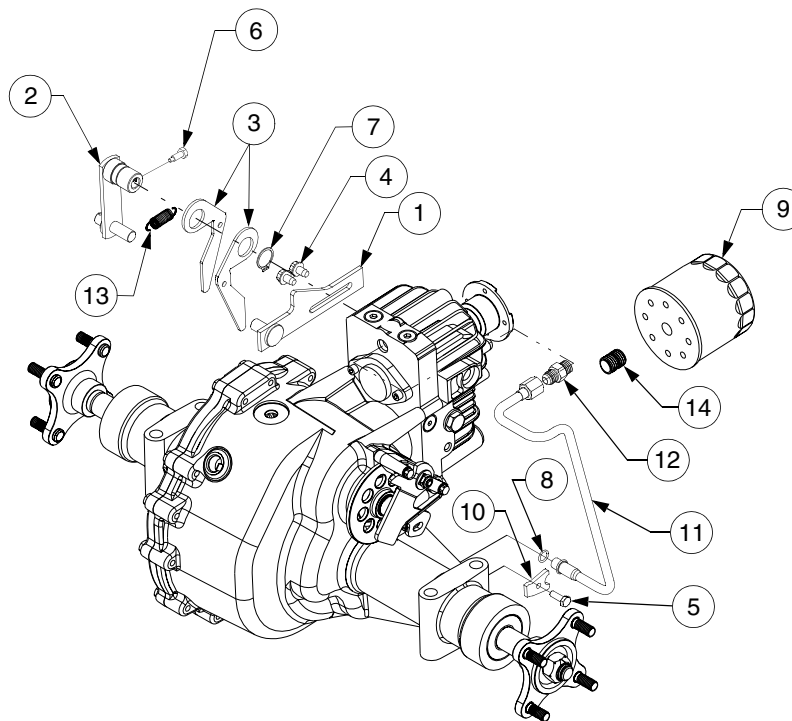
HYDROSTATIC PUMP



HYDROSTATIC PUMP

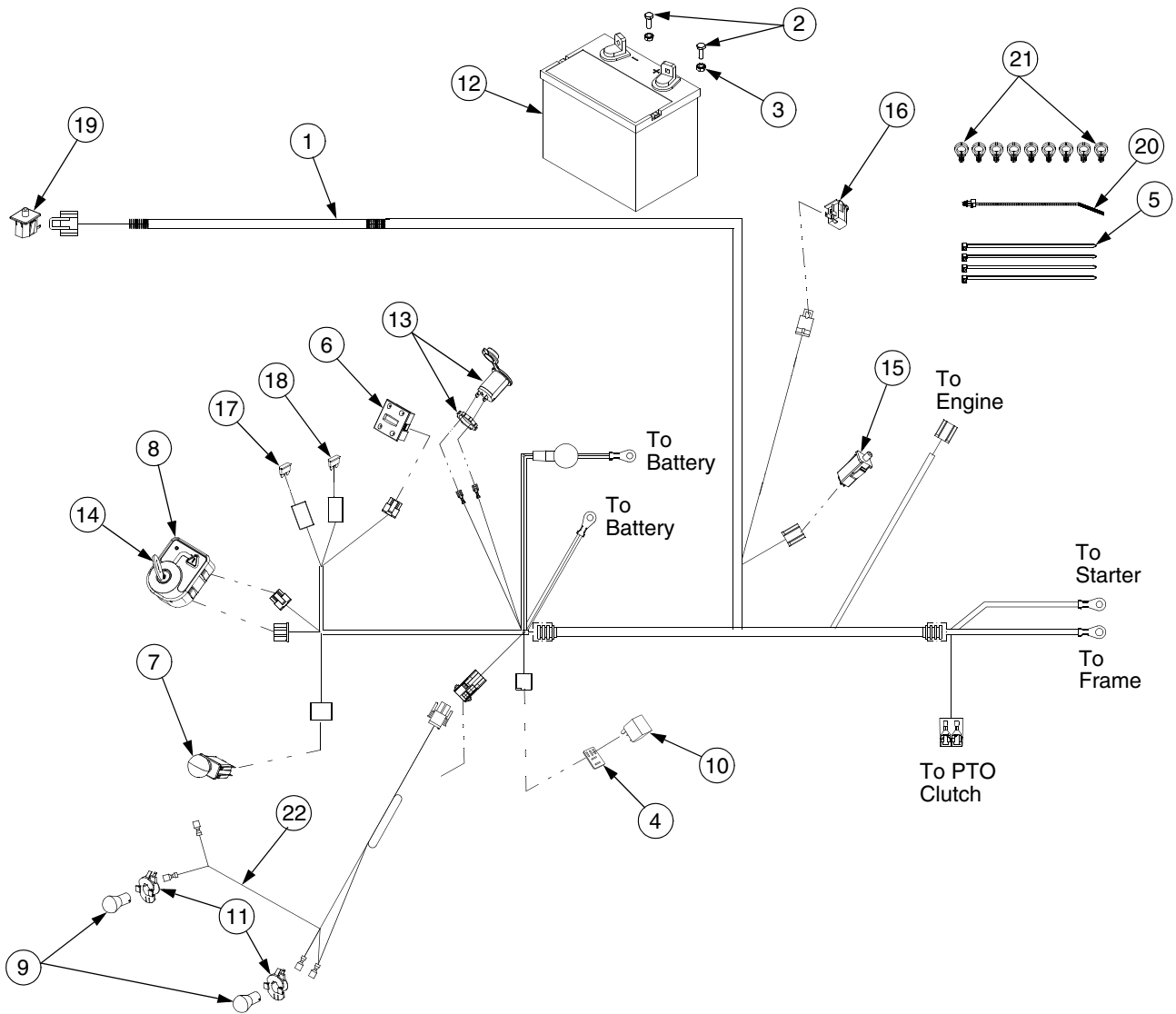
| REF. NO. | PART NUMBER | DESCRIPTION | QTY. |
|----------|-----------------|-------------------------------|------|
| 1 | HG-50158 | Shaft, Pump (Splined) | 1 |
| 2 | HG-2003016 | Ring, Retaining | 2 |
| 3 | HG-2003043 | Bearing, Ball | 1 |
| 4 | HG-2003018 | Spacer | 1 |
| 5 | HG-9008000-0128 | Seal, Lip | 1 |
| 6 | HG-2003052 | Ring, Retaining | 1 |
| 7 | HG-2003023 | Bearing, Cradle | 2 |
| 8 | HG-9008000-0126 | Seal, Lip | 1 |
| 9 | HG-2003005 | Arm, Trunnion | 1 |
| 10 | HG-2000015 | Guide, Slot | 1 |
| 11 | HG-2513036 | Housing Kit | 1 |
| 12 | HG-2003044 | Bearing Assembly, Thrust Ball | 2 |
| 13 | HG-51077 | Center Section Kit | 1 |
| 14 | HG-2003034 | Shaft, Motor | 1 |
| 15 | HG-2003017 | Washer, Block Thrust | 2 |
| 16 | HG-2003087 | Swash Plate | 1 |
| 17 | HG-70079 | Block Assembly | 2 |
| 18 | HG-9004800-2506 | Pin | 2 |
| 19 | HG-2003060 | Gasket, Center Section | 1 |
| 20 | HG-2510027 | Kit, Check Valve | 1 |
| 21 | HG-2510034 | Kit, Orificed Check Valve | 1 |
| 22 | HG-2510011 | Kit, Charge Relief Valve | 1 |
| 23 | HG-9007314-0808 | Screw, Socket Hd | 8 |
| 24 | HG-2003014 | Spring, Block | 1 |
| 25 | HG-9004101-1340 | O-Ring | 1 |
| 26 | HG-2513027 | Kit, Charge Pump | 1 |
| 27 | HG-J1041008 | Gerotor Assy | 1 |
| 28 | HG-50095 | Screw, Socket Hd | 2 |
| 29 | HG-2153011 | Bypass Valve Kit | 1 |
| 30 | HG-9004201-3700 | O-Ring | 3 |
| 31 | HG-9005110-5600 | Plug w/O-Ring | 2 |

NEUTRAL LINKAGE AND HYDRAULIC TUBE



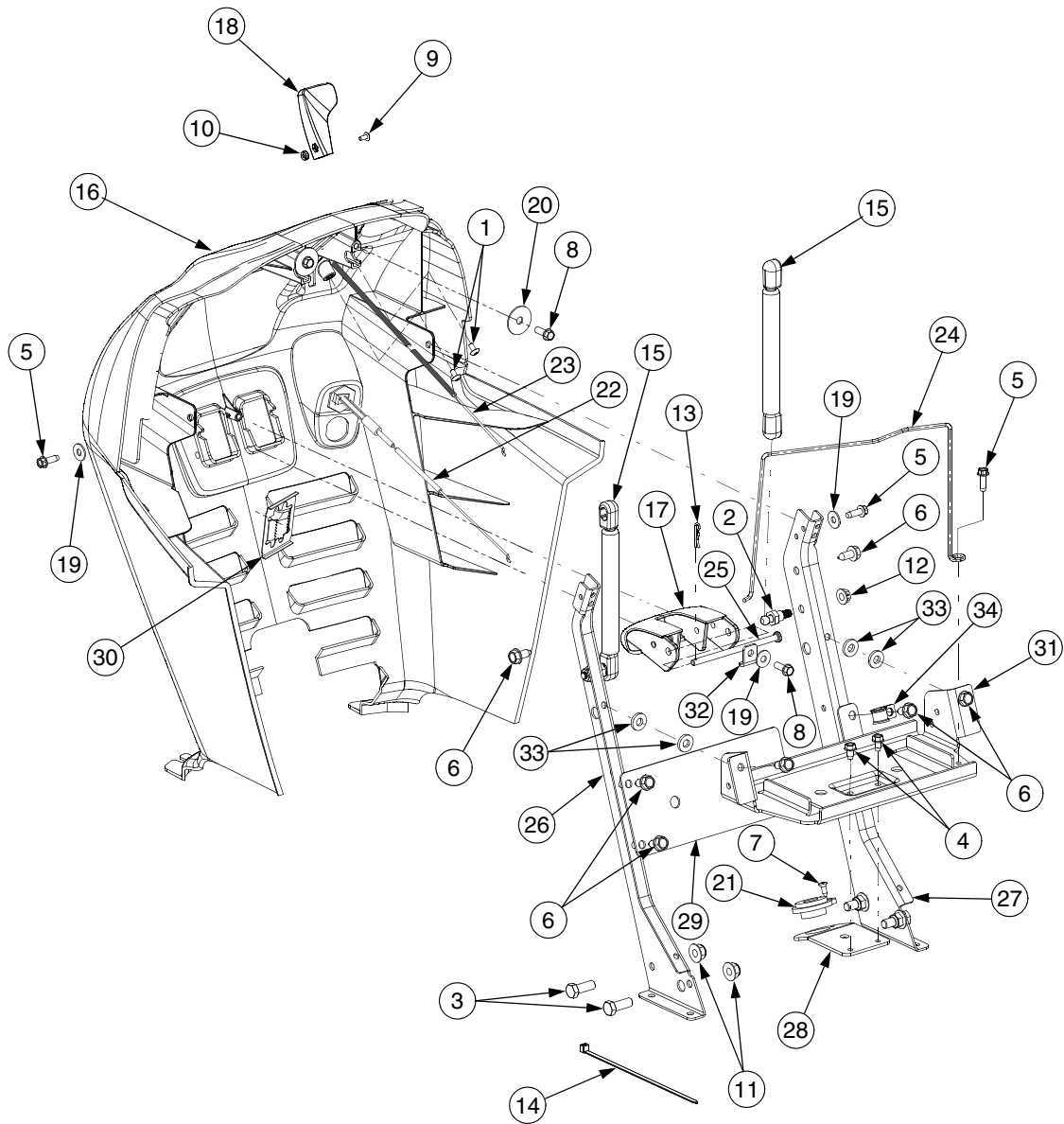
| REF. NO. | PART NUMBER | DESCRIPTION | QTY. |
|----------|-------------|---|------|
| 1 | 603-0732 | Bracket, Neutral Return | 1 |
| 2 | 603-04340 | Arm Assembly, Control | 1 |
| 3 | 703-2441 | Arm, Neutral | 2 |
| 4 | 710-0607 | Screw, Hex Wash Hd Tapp, 5/16-18 x .50 | 2 |
| 5 | 710-3015 | Screw, Hex Cap, 1/4-20 x .75 GR5 | 1 |
| 6 | 710-04171 | Screw, Special Hex Cap, 5/16-24 x .625 | 1 |
| 7 | 716-0111 | Ring, Snap, .875 Shaft | 1 |
| 8 | 721-0459 | O-Ring, .426 ID x .566 OD x .07 | 1 |
| 9 | 723-3014 | Filter, Oil | 1 |
| 10 | 726-0295 | Clamp, Tube, .50 | 1 |
| 11 | 727-0636 | Tube, Hydro Pickup | 1 |
| 12 | 727-3002 | Fitting, Hydraulic | 1 |
| 13 | 732-3119A | Spring, Extension | 1 |
| 14 | 737-3022 | Nipple, Oil Filter | 1 |

BATTERY, ELECTRICAL COMPONENTS AND SWITCHES



| REF. NO. | PART NUMBER | DESCRIPTION | QTY. | REF. NO. | PART NUMBER | DESCRIPTION | QTY. |
|----------|-------------|------------------------------|------|----------|-------------|------------------------------|------|
| 1 | 629-04158 | Wire Harness, Main | 1 | 12 | 925-1707D | Battery | 1 |
| 2 | 710-3015 | Screw, Hex, 1/4-20 x .75 GR5 | 2 | 13 | 725-2003 | Receptacle, Power 12V | 1 |
| 3 | 712-0271 | Sems Nut | 2 | 14 | 725-2054 | Key, Ignition | 2 |
| 4 | 721-0342 | Gasket, Silicone | 1 | 15 | 725-3164A | Switch, Interlock (Brake) | 1 |
| 5 | 725-0157 | Tie, Self-Clinch Cable | 4 | 16 | 725-3167 | Switch, Snap Mount (Reverse) | 1 |
| 6 | 725-04036A | Meter, Indicator / Hour | 1 | 17 | 725-3243 | Fuse, 25 Amp | 2 |
| 7 | 725-04175 | Switch, PTO | 1 | 18 | 725-04008 | Fuse, 5 Amp | 1 |
| 8 | 725-04227A | Switch, Key/Module | 1 | 19 | 725-04040 | Switch, Seat | 1 |
| 9 | 725-0963 | Lamp, Head Light | 2 | 20 | 726-0154 | Tie, Pushmount | 9 |
| 10 | 725-1648 | Relay | 1 | 21 | 726-3055 | Clip, Cable | 9 |
| 11 | 725-1649 | Socket, Light, 1/4 Turn | 2 | 22 | 629-04142A | Harness, Head Light | 1 |

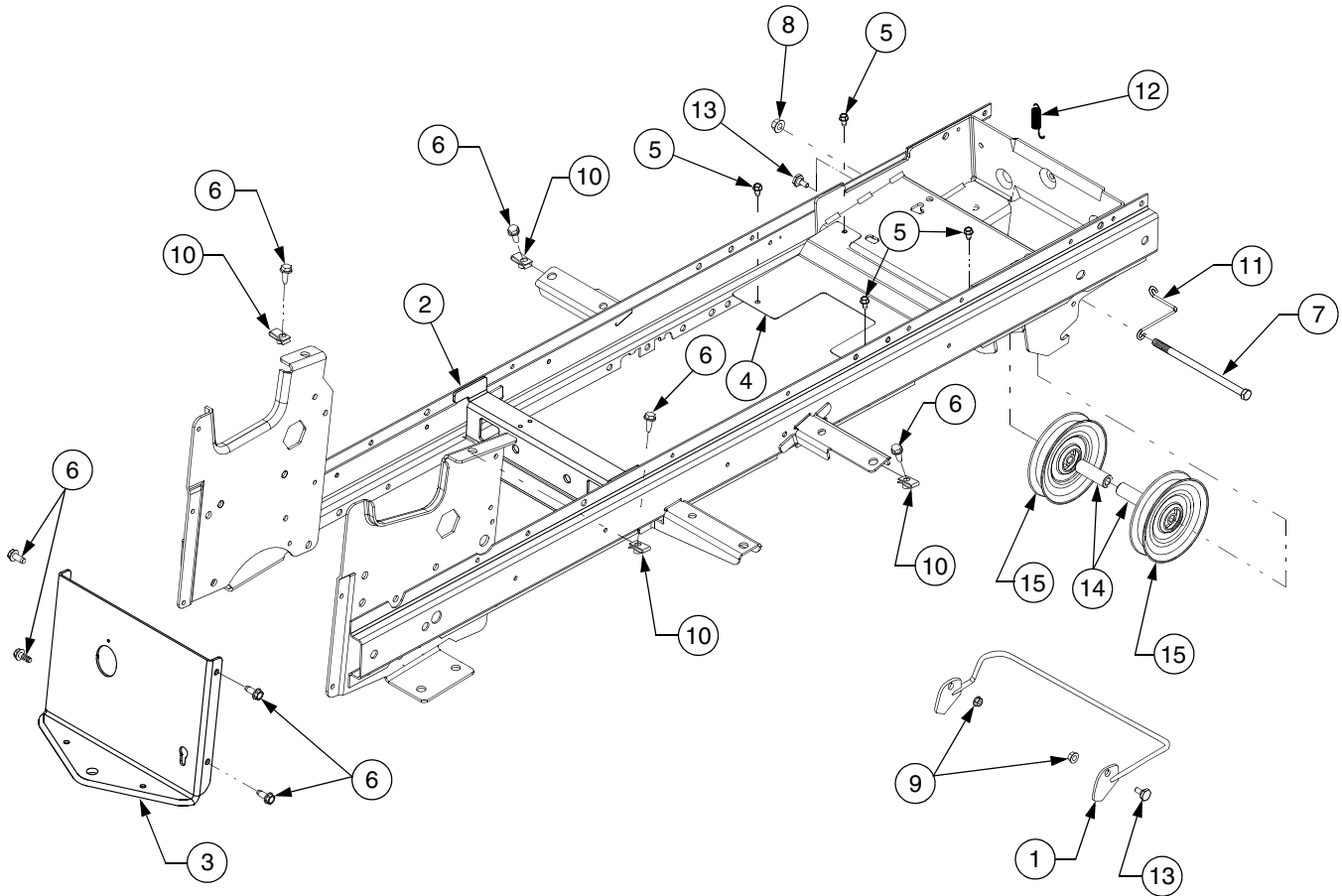
DASH PANEL AND ENGINE CONTROLS



DASH PANEL AND ENGINE CONTROLS

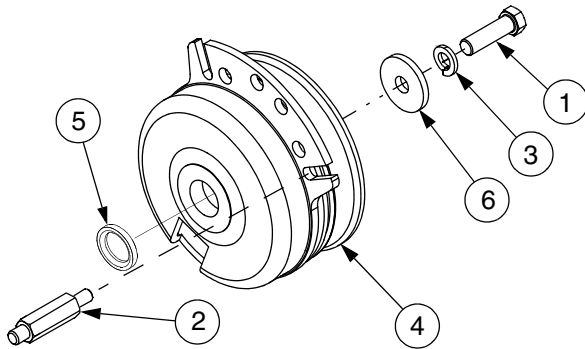
| REF. NO. | PART NUMBER | DESCRIPTION | QTY. |
|----------|-------------|--|------|
| 1 | 710-0192 | Screw, #10-24 X .375 | 2 |
| 2 | 710-04471 | Screw, Ball Shoulder. 5/16-18 x .48 | 2 |
| 3 | 710-0376 | Screw, Hex Cap, 5/16-18 x 1.0 GR5 | 4 |
| 4 | 710-0599 | Screw, Self-tapping, 1/4-20, 0.500 | 2 |
| 5 | 710-0642 | Screw, Hx. Wash. Hd, Tapp. 1/4-20 x .75 | 3 |
| 6 | 710-0726 | Screw, Hx. Wash. Hd, Tapp, 5/16-12 x .75 | 8 |
| 7 | 710-0837 | Screw, Oval Cntrs nk, #10-16 x .625 | 1 |
| 8 | 710-0895 | Screw, 1/4-15, 0.750 | 3 |
| 9 | 710-3217 | Screw, Truss Mach., #8-32 x .375 | 1 |
| 10 | 712-0142 | Nut, Hex, #8-32 GrA | 1 |
| 11 | 712-04063 | Nut, Hx Insert Flange Lck, 5/16-18 GrF | 4 |
| 12 | 712-3004A | Nut, Hex Flange Lock, 5/16-18 GR5 | 2 |
| 13 | 714-0104 | Internal Cotter Pin, .072 x 1.13 | 1 |
| 14 | 725-0157 | Tie, Cable | 1 |
| 15 | 727-04142 | Cylinder, Gas | 2 |
| 16 | 731-05354 | Dash | 1 |
| | 777I22459 | Graphic, Dash Insert | 1 |
| | 777I22280 | Graphic, Throttle | 1 |
| | 777X42183 | Graphic, Carb Emissions | 1 |
| 17 | 731-05447 | Lever, Dash, Cruise | 1 |
| 18 | 731-3161 | Knob, Throttle Control | 1 |
| 19 | 736-0173 | Washer, Flat, .28 x .74 x .063 | 3 |
| 20 | 736-0362 | Washer, Flat, .33 x 1.25 x .06 HT | 2 |
| 21 | 741-0587 | Bearing, Steering Column | 1 |
| 22 | 746-04277 | Cable, Choke | 1 |
| 23 | 746-3049 | Cable, Throttle Control | 1 |
| 24 | 747-04215 | Strap, Batter | 1 |
| 25 | 747-1323A | Rod, .25 x 4.55 | 1 |
| 26 | 783-04285D | Plate, Dash Support RH | 1 |
| 27 | 783-04323D | Plate, Dash Support, LH | 1 |
| 28 | 783-04475 | Bracket, Steering Support | 1 |
| 29 | 783-04506A | Plate, Dash Support | 1 |
| 30 | 783-0462 | Bracket, PTO Switch Retainer | 1 |
| 31 | 783-1447B | Bracket, Support, Battery | 1 |
| 32 | 783-1499 | Bracket, Rod, Dash | 1 |
| 33 | 736-3008 | Washer, Flat, .344 x .75 x .12 | 4 |
| 34 | 726-0272 | Clamp, 9/16 | 1 |

FRAME AND DRAWBAR



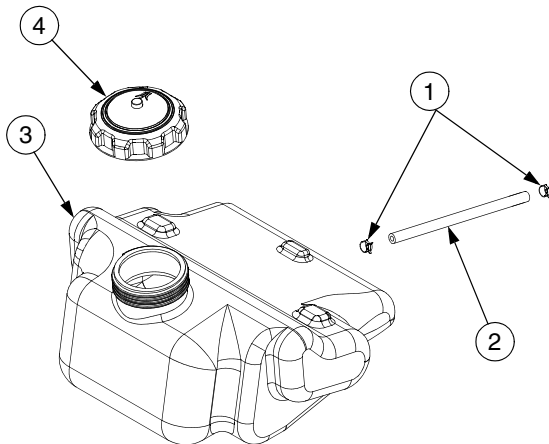
| REF. NO. | PART NUMBER | DESCRIPTION | QTY. |
|----------|-------------|-------------------------------------|------|
| 1 | 603-04250 | Rod, Quick Attach | 1 |
| 2 | 603-04349 | Frame | 1 |
| 3 | 703-3453 | Drawbar | 1 |
| | 777120773 | Graphic, Transmission Release Lever | 1 |
| | 777S30265 | Graphic, Transmission Oil | 1 |
| 4 | 703-05879 | Shield, Grass | 1 |
| 5 | 710-0599 | Screw, Hex Wsh Hd Tapp 1/4-20 x .5 | 4 |
| 6 | 710-1260A | Screw, Hex Wsh Hd Tap 5/16-18 x .75 | 4 |
| 7 | 710-3261 | Screw, Hex Cap, 3/8-16 x 7.0 | 1 |
| 8 | 712-0431 | Nut, Hex Flange Lock, 3/8-16 | 1 |
| 9 | 712-3027 | Nut, Hex Flange Lock, 1/4-20 | 2 |
| 10 | 726-0211 | U-Nut, 5/16-18 | 6 |
| 11 | 732-0970 | Belt Guide | 1 |
| 12 | 732-3002 | Spring, Latch | 1 |
| 13 | 738-0255 | Bolt, Shoulder | 2 |
| 14 | 750-04198 | Spacer, Idler, .411 x .720 x 3.67 | 2 |
| 15 | 756-3045 | Pulley, Idler | 2 |

PTO CLUTCH



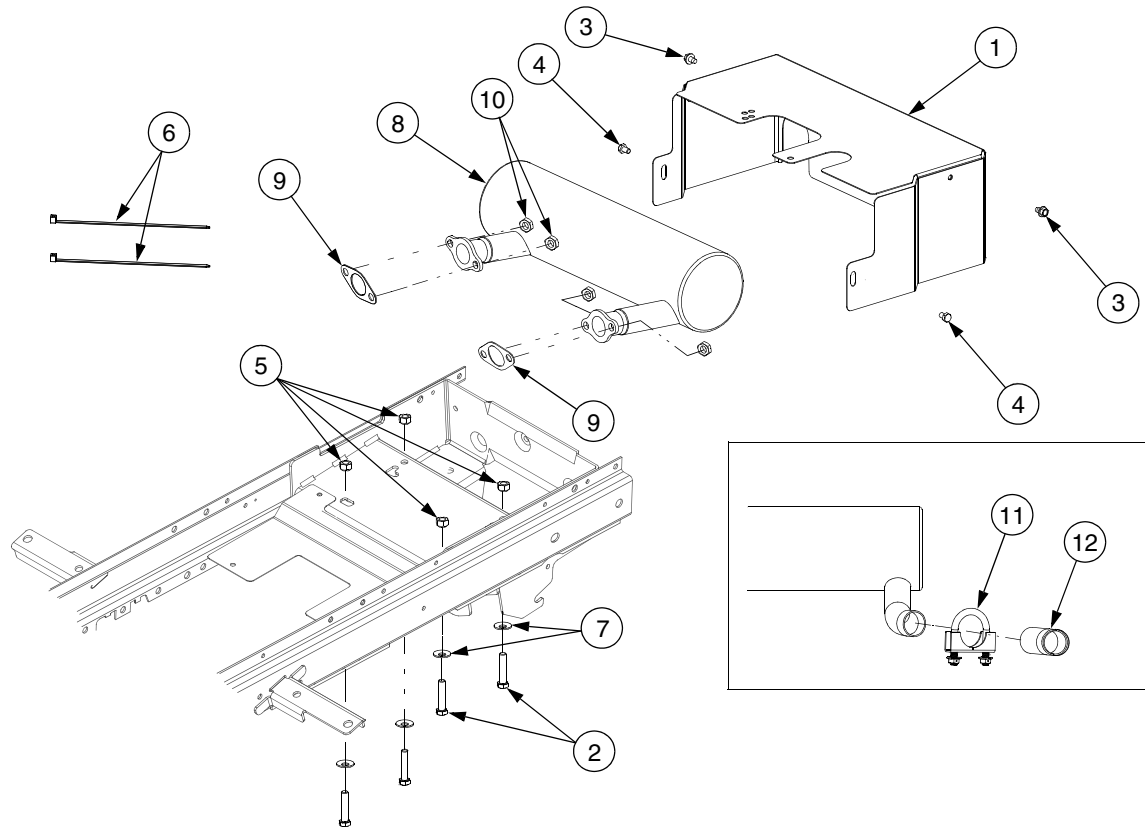
| REF. NO. | PART NUMBER | DESCRIPTION | QTY. |
|----------|-------------|-------------------------------------|------|
| 1 | 710-0757 | Screw, Hex Cap, 7/16-20 x 1.5 GR5 | 1 |
| 2 | 711-04552 | Stud, Clutch Stop | 1 |
| 3 | 736-0171 | Washer, Lock, 3/8 | 1 |
| 4 | 717-04214 | Clutch Assy, PTO | 1 |
| 5 | 750-04602 | Spacer, 1.0 x 1.62 x .4 | 1 |
| 6 | 736-3082A | Washer, Flat, .445 x 1.5 x 1.72 Hdn | 1 |

FUEL TANK



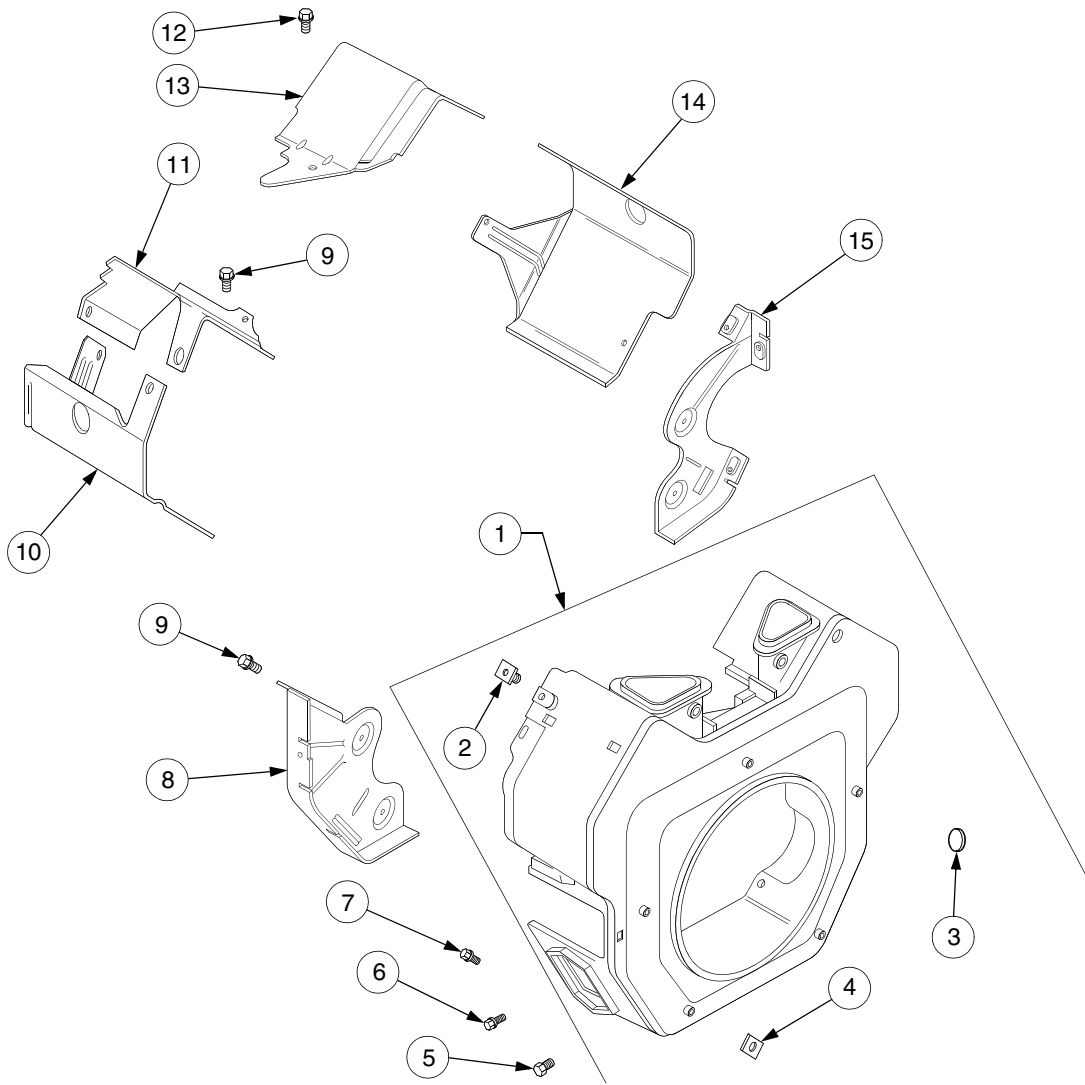
| REF. NO. | PART NUMBER | DESCRIPTION | QTY. |
|----------|-------------|-----------------|------|
| 1 | 726-0205 | Clamp, Hose | 2 |
| 2 | 751-10349 | Line, Fuel, 72" | 1 |
| 3 | 751-3112B | Tank, Fuel | 1 |
| 4 | 751-3124C | Cap, Fuel | 1 |

ENGINE MOUNTING AND MUFFLER



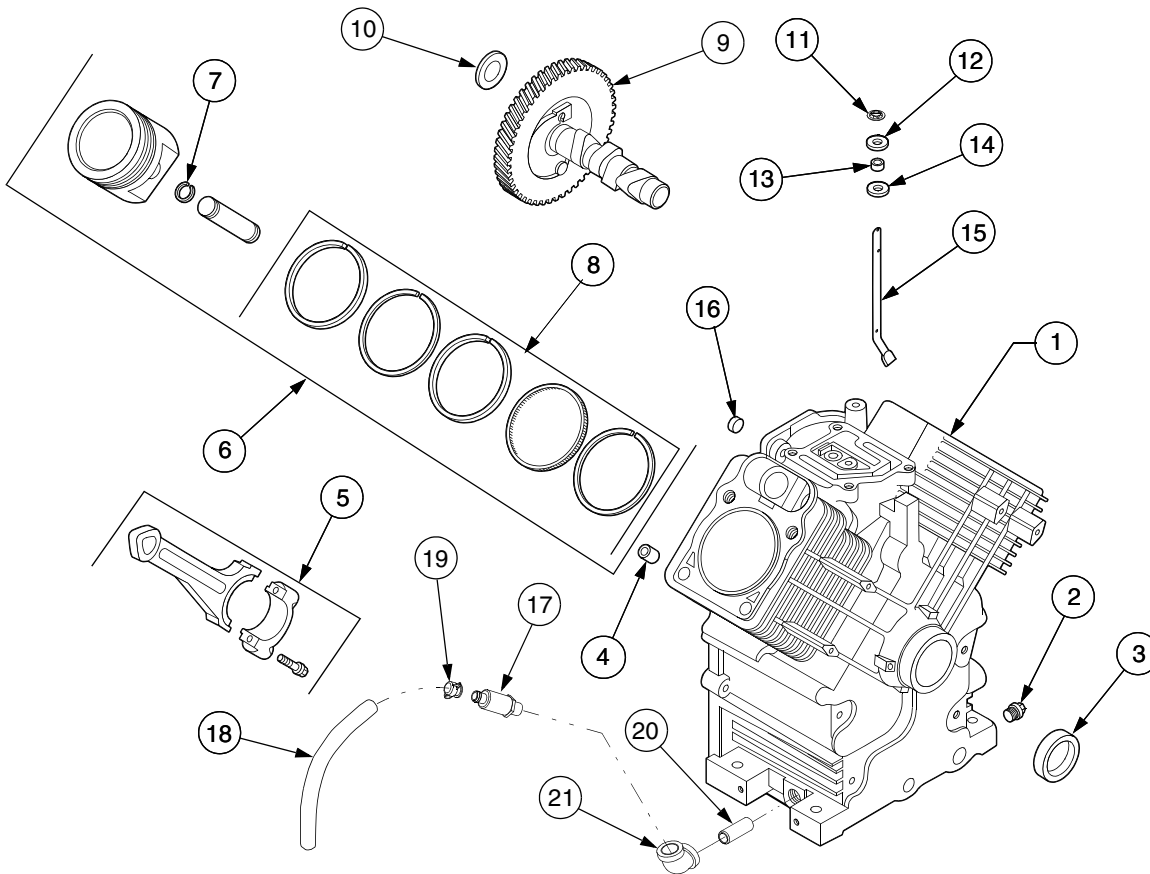
| REF. NO. | PART NUMBER | DESCRIPTION | QTY. |
|----------|--------------|--------------------------------------|------|
| 1 | 703-05875 | Shield, Heat | 1 |
| 2 | 710-0539 | Bolt, Eng Mount, 3/8-24 x 1.75 GR5 | 4 |
| 3 | 710-0653 | Screw, Hx Wsh Hd Tapp, 1/4-20 x .375 | 2 |
| 4 | 710-3209 | Screw, Hex Cap, M6 x 1 x 10 | 2 |
| 5 | 712-3054 | Nut, Hex Lock, 3/8-24 | 4 |
| 6 | 725-0157 | Tie, Cable | 2 |
| 7 | 736-0105 | Washer, Bell, .380 x .88 x .062 | 4 |
| 8 | 751-10249 | Muffler Assembly | 1 |
| 9 | KH-24-041-02 | Gasket, Exhaust | 2 |
| 10 | KH-M-0841080 | Nut, Hex Flange | 4 |
| 11 | 751-10191 | Clamp, Muffler | 1 |
| 12 | 751-10360 | Pipe Extension, Exhaust | 1 |

BLOWER HOUSING AND BAFFLES



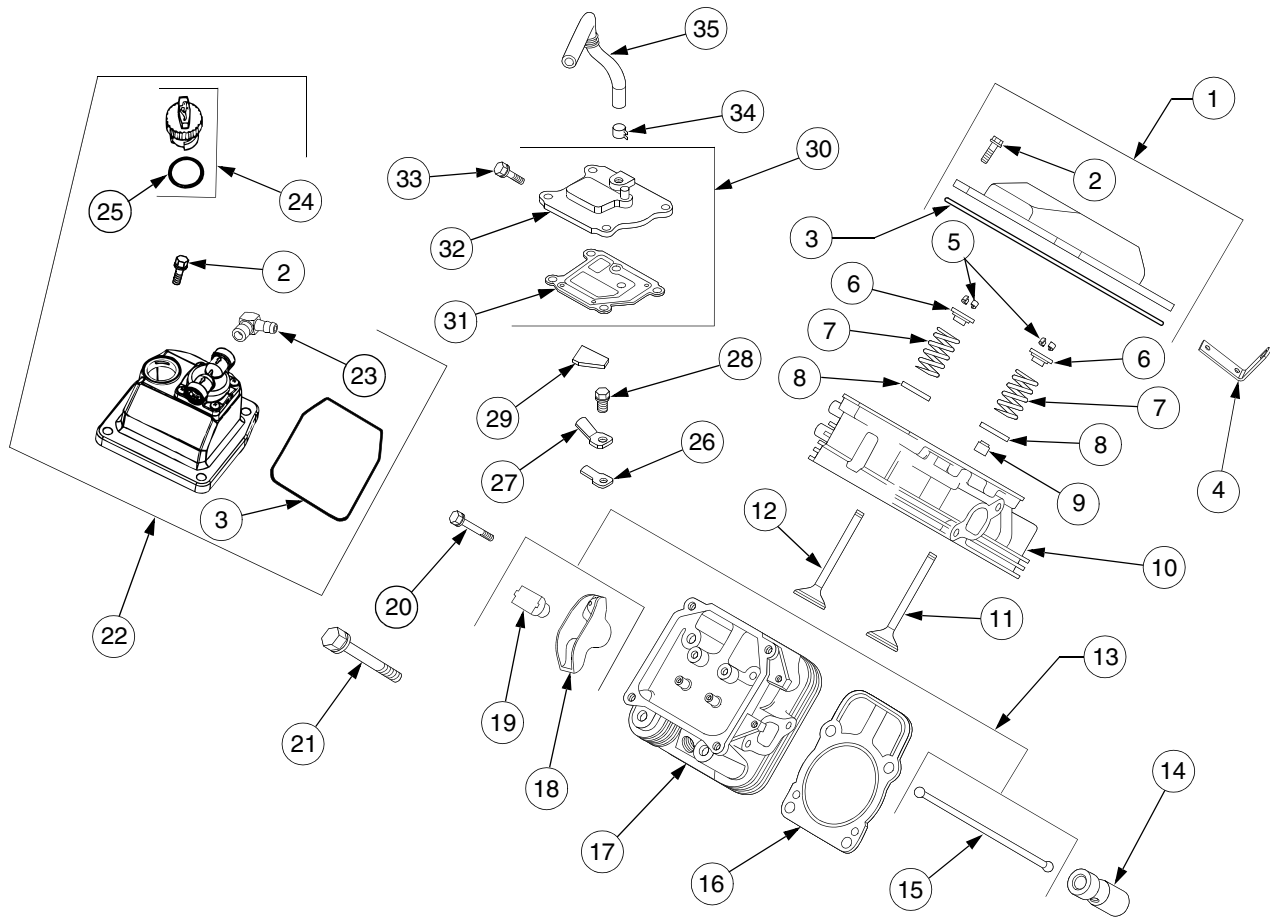
| REF. NO. | PART NUMBER | DESCRIPTION | QTY. |
|----------|-----------------|-----------------------------------|------|
| 1 | KH-24-027-175-S | Housing, Blower (Incl. Ref #2-4) | 1 |
| 2 | KH-24-100-02 | Nut, Plastic | 2 |
| 3 | KH-25-139-16 | Plug, Button, 9/16 | 1 |
| 4 | KH-24-100-01 | Nut, Plastic | 3 |
| 5 | KH-M-0551016 | Screw, Hex Flange, M5 x 0.8 x 16 | 1 |
| 6 | KH-M-545016-S | Screw, Hex Flange, M5 x 0.8 x 16 | 3 |
| 7 | KH-M-0545020 | Screw, Hex Flange, M5 x 0.8 x 20 | 4 |
| 8 | KH-24-146-16-S | Plate, Backing - #2 Side | 1 |
| 9 | KH-M-0645016 | Screw, Hex Flange, M6 x 1.0 x 16 | 1 |
| 10 | KH-24-063-20 | Baffle, Cylinder Barrel - #2 Side | 1 |
| 11 | KH-24-063-70-S | Baffle, Valley - #2 Side | 1 |
| 12 | KH-M-550010-S | Screw, Hex Flange, M5 x 0.8 x 10 | 2 |
| 13 | KH-24-063-59-S | Baffle, Valley - #1 Side | 1 |
| 14 | KH-24-063-58-S | Baffle, Cylinder Barrel - #1 Side | 1 |
| 15 | KH-24-146-20-S | Plate, Backing - #1 Side | 1 |

CRANKCASE



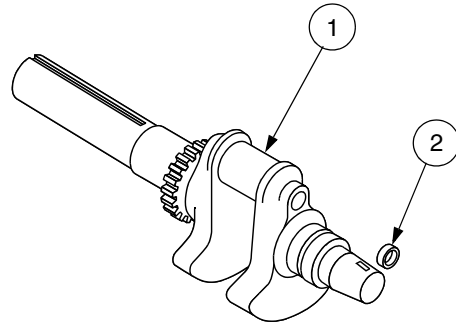
| REF. NO. | PART NUMBER | DESCRIPTION | QTY. | REF. NO. | PART NUMBER | DESCRIPTION | QTY. |
|----------|-----------------|---------------------------------|------|----------|--------------|--------------------------------|------|
| | KH-76621 | Complete Engine | 1 | 10 | KH-12-422-09 | Shim, Camshaft, .0320 (Red) | AR |
| | KH-24-522-251 | Short Block | 1 | | KH-12-422-13 | Shim, Camshaft, .0400 (Black) | AR |
| | KH-24-755-108-S | Gasket Set | 1 | | KH-12-422-07 | Shim, Camshaft, .0280 (White) | AR |
| 1 | KH-24-782-27 | Cylinder Block, (Use Miniblock) | 1 | | KH-12-422-08 | Shim, Camshaft, .0300 (Blue) | AR |
| 2 | KH-25-139-57-S | Plug, Hex Hd, 3/8 | 2 | | KH-12-422-10 | Shim, Camshaft, .0340 (Yellow) | AR |
| 3 | KH-24-032-01 | Seal, Front Oil | 1 | | KH-12-422-11 | Shim, Camshaft, .0360 (Green) | AR |
| 4 | KH-24-380-13-S | Pin, Locating Dowel | 6 | | KH-12-422-12 | Shim, Camshaft, .0380 (Gray) | AR |
| 5 | KH-24-067-13 | Rod, Connecting, Std | 2 | 11 | KH-24-018-09 | Ring, Retainer | 1 |
| | KH-24-067-14 | Rod, Connection, .010 / .25mm | 2 | 12 | KH-M-931010 | Washer, Nylon | 1 |
| 6 | KH-24-874-09-S | Piston w/Ring Set, Std | 2 | 13 | KH-28-032-09 | Seal, Governor Cross Shaft | 1 |
| | KH-24-874-15-S | Piston w/Ring Set, .08mm | 2 | 14 | KH-24-468-15 | Washer, Plain | 1 |
| | KH-24-874-10-S | Piston w/Ring Set, .010 / .25mm | 2 | 15 | KH-24-144-38 | Shaft, Governor Cross | 1 |
| | KH-24-874-11-S | Piston w/Ring Set, .020 / .50mm | 2 | 16 | KH-52-139-09 | Plug, Cup | 1 |
| 7 | KH-24-018-01 | Retainer, Piston Pin | 4 | 17 | 751-3140 | Drain, Oil | 1 |
| 8 | KH-24-108-08-S | Ring Set, Std | 2 | 18 | 751-3141-12 | Hose, Oil Drain | 1 |
| | KH-24-108-09-S | Ring Set, .010 / .25mm | 2 | 19 | 751-3142 | Cap | 1 |
| | KH-24-108-10-S | Ring Set, .020 / .50mm | 2 | 20 | 737-0199 | Pipe, Straight, 3/8 NPT x 2.0 | 1 |
| 9 | KH-24-012-10-S | Camshaft Assembly | 1 | 21 | 737-0272 | Elbow, 90 Degree | 1 |

CYLINDER HEAD, VALVES AND BREATHER



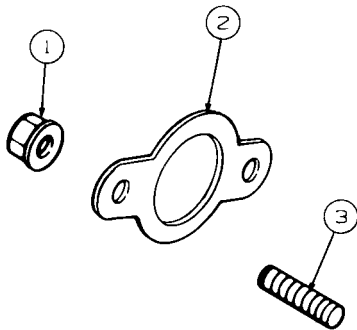
| REF. NO. | PART NUMBER | DESCRIPTION | QTY. | REF. NO. | PART NUMBER | DESCRIPTION | QTY. |
|----------|-----------------|------------------------------------|------|----------|-----------------|---|------|
| 1 | KH-24-755-141-S | Kit, Valve Cover (Includes 2-3) | 1 | 19 | KH-24-599-01 | Pivot, Rocker Arm | 4 |
| 2 | KH-M-651030-S | Screw, Hex Flng, M6 x1.0 x 30 | 8 | 20 | KH-66-086-07-S | Screw, Hex Flng, M6 x 1.0 x 34 | 4 |
| 3 | KH-24-153-28-S | O-Ring, Valve Cover | 2 | 21 | KH-12-086-16 | Screw, Hex Flng, M10 x 1.5 x 90 | 8 |
| 4 | KH-24-445-01 | Strap, Lifting | 1 | 22 | KH-24-559-10-S | Kit, Fuel Pump Valve Cover | 1 |
| 5 | KH-12-755-03 | Kit, Retainer | 4 | 23 | KH-25-294-11-S | Fitting, 90° | 2 |
| 6 | KH-12-173-01 | Cap, Valve Spring | 4 | 24 | KH-24-227-02 | Cap Assembly, Oil Fill (Incl. 26) | 1 |
| 7 | KH-24-089-02 | Spring, Valve | 4 | 25 | KH-24-153-09 | O-Ring | 1 |
| 8 | KH-235011 | Retainer, Spring | 4 | 26 | KH-24-402-03 | Reed, Breather | 1 |
| 9 | KH-66-032-05 | Seal, Valve Stem | 2 | 27 | KH-66-018-04-S | Retainer, Breather Reed | 1 |
| 10 | KH-24-318-68-S | Head Assembly, #1 Cylinder | 1 | 28 | KH-M-0545010 | Screw, Hex Flng, M5 x 0.8 x 10 | 1 |
| 11 | KH-24-017-01 | Valve, Intake Std | 2 | 29 | KH-24-050-01 | Filter, Breather | 1 |
| | KH-24-017-02 | Valve, Intake, .25mm | 2 | 30 | KH-24-033-01 | Kit, Breather (Includes 32-34) | 1 |
| 12 | KH-24-016-01 | Valve, Exhaust Std | 2 | 31 | KH-24-041-51-S | Gasket, Breather | 1 |
| | KH-24-016-02 | Valve, Exhaust, .25mm | 2 | 32 | KH-24-096-86-S | Cover, Breather | 1 |
| 13 | KH-24-755-66 | Kit, Valve Train (Incl. 15,18,19) | 1 | 33 | KH-M-0645020 | Screw, Hex Flng M6 x 1.0 x 20 | 4 |
| 14 | KH-25-351-04-S | Lifter, Valve | 4 | 34 | KH-25-237-14-S | Clamp, Breather | 1 |
| 15 | KH-24-411-05 | Rod, Push | 4 | 35 | KH-24-326-26 | Hose, Breather | 1 |
| 16 | KH-24-841-01-S | Kit, Cyl. Hd. Gasket (Includes 21) | 2 | | KH-24-755-147-S | Kit, Cylinder Head, Includes Ref. Nos. 5-9, 11, 12, 15, 18-20 | 2 |
| 17 | KH-24-318-71-S | Head Assembly, #2 Cylinder | 1 | | | | |
| 18 | KH-25-186-01 | Arm, Rocker | 4 | | | | |

CRANKSHAFT



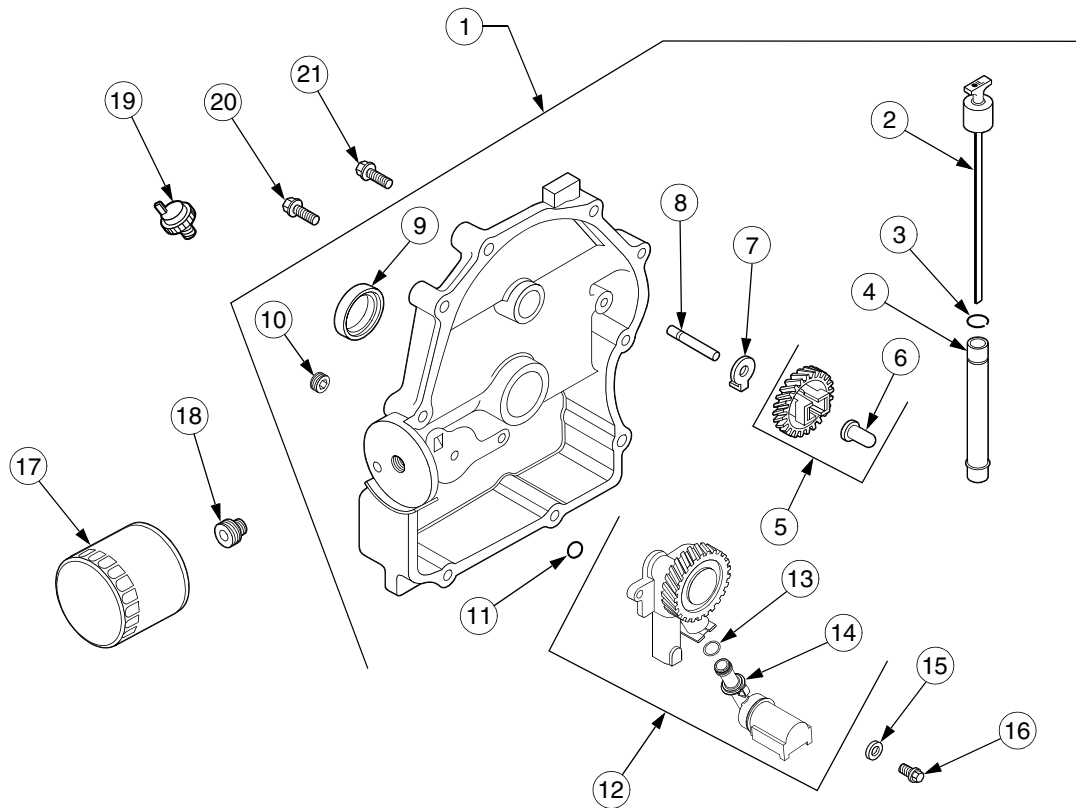
| REF. NO. | PART NUMBER | DESCRIPTION | QTY. |
|----------|----------------|---------------------------|------|
| 1 | KH-24-014-06-S | Crankshaft (Incl. Ref #2) | 1 |
| 2 | KH-52-139-09 | Plug, Cup | 1 |

EXHAUST



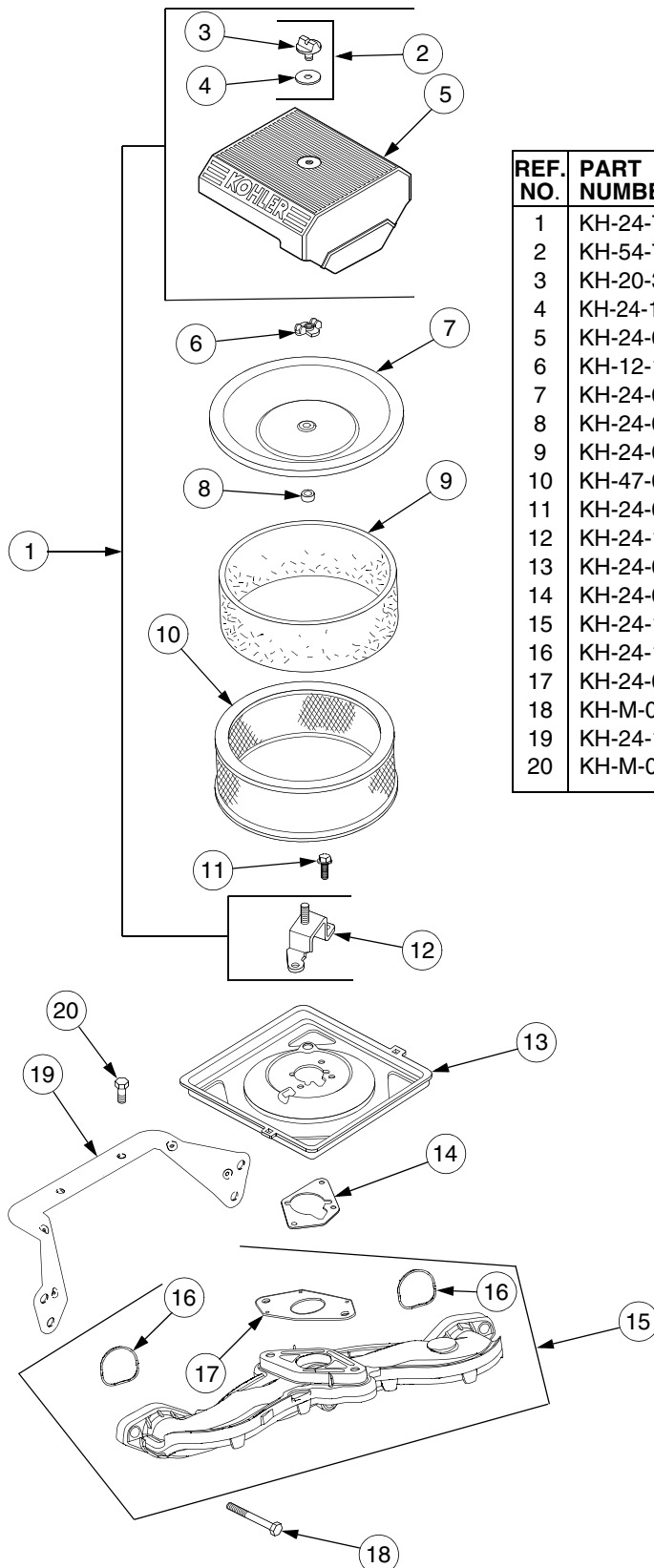
| REF. NO. | PART NUMBER | DESCRIPTION | QTY. |
|----------|--------------|----------------------------------|------|
| 1 | 712-3086 | Nut, Muffler Mounting, M8 x 1.25 | 4 |
| 2 | 721-0377 | Gasket, Exhaust | 2 |
| 3 | KH-25-072-04 | Stud, Exhaust, M8 x 1.25 x 33 | 4 |

OIL PAN AND LUBRICATION



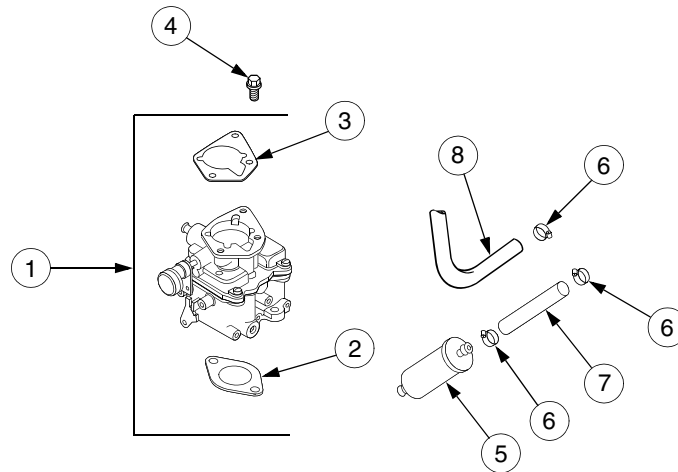
| REF. NO. | PART NUMBER | DESCRIPTION | QTY. |
|----------|----------------|---------------------------------------|------|
| 1 | KH-24-009-83-S | Plate Assy, Closure (Incl. Ref #2-15) | 1 |
| 2 | KH-24-038-08-S | Dipstick | 1 |
| 3 | KH-41-153-01 | O-Ring | 1 |
| 4 | KH-24-123-11-S | Tube, Oil Fill/Dipstick | 1 |
| 5 | KH-24-043-12 | Kit, Governor Gear (Incl. Ref #6) | 1 |
| 6 | KH-12-380-01 | Pin, Governor Regulating | 1 |
| 7 | KH-24-448-02 | Tab, Locking | 1 |
| 8 | KH-12-144-02 | Shaft, Governor Gear | 1 |
| 9 | KH-52-032-08 | Seal, Oil (PTO end) | 1 |
| 10 | KH-25-139-60-S | Plug, Pipe 1/8 | 1 |
| 11 | KH-24-153-08 | O-Ring | 1 |
| 12 | KH-24-393-37-S | Oil Pump Assy (Incl. Ref #13-14) | 1 |
| 13 | KH-24-153-01 | O-Ring, Oil Pick-up | 1 |
| 14 | KH-24-381-04 | Pick-up, Oil | 1 |
| 15 | KH-M-0631005 | Washer, Plain | 2 |
| 16 | KH-M-0645025 | Screw, Hex Flange, M6 x 1.0 x 25 | 2 |
| 17 | KH-12-050-08 | Filter, Oil | 1 |
| 18 | KH-24-136-01 | Nipple, Oil Filter | 1 |
| 19 | KH-25-099-24 | Switch, Pressure | 1 |
| 20 | KH-24-086-16 | Screw, Hex Flange, M8 x 1.25 x 45 | 9 |
| 21 | KH-24-086-17 | Screw, Hex Flange, M8 x 1.25 x 45 | 1 |

AIR INTAKE AND FILTRATION

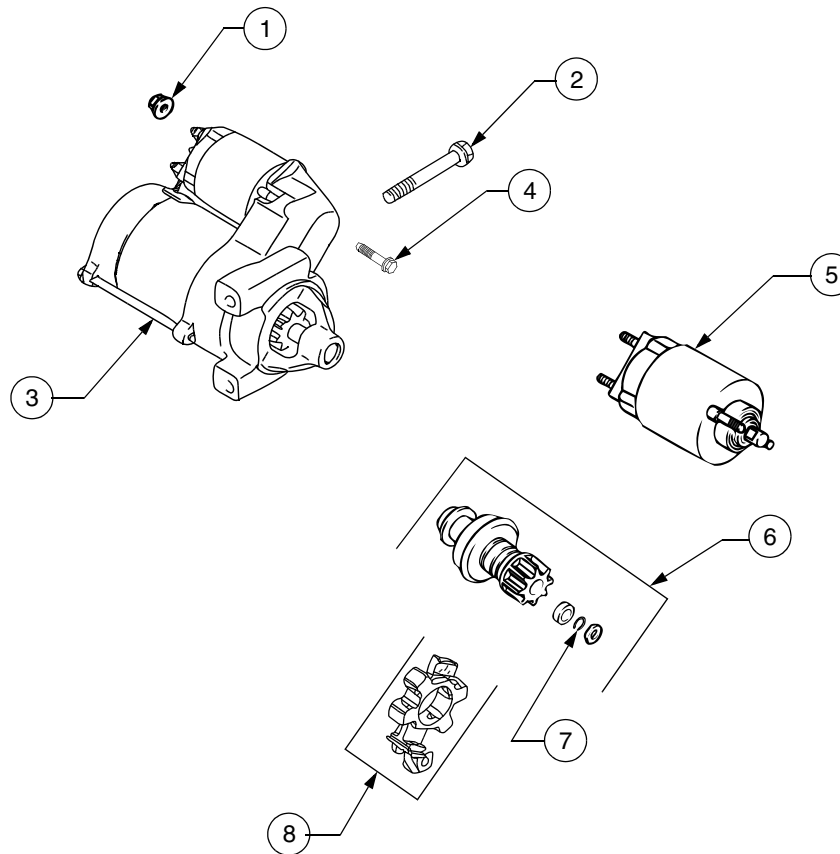


| REF. NO. | PART NUMBER | DESCRIPTION | QTY. |
|----------|-----------------|--|------|
| 1 | KH-24-743-08-S | Kit, Air Cleaner Cover (Incl. 2-5, 12) | 1 |
| 2 | KH-54-755-01 | Kit, Knob w/Seal (Incl. Ref #2,3) | 1 |
| 3 | KH-20-341-04-S | Knob, Cover | 1 |
| 4 | KH-24-153-20-S | Seal, Air Cleaner Cover Knob | 1 |
| 5 | KH-24-096-69-S | Cover, Air Cleaner | 1 |
| 6 | KH-12-100-01 | Wing Nut | 1 |
| 7 | KH-24-096-01 | Cover, Inner Air Cleaner | 1 |
| 8 | KH-24-032-03 | Seal, Inner Air Cleaner | 1 |
| 9 | KH-24-083-02 | Precleaner, Element | 1 |
| 10 | KH-47-083-03 | Element, Air Cleaner | 1 |
| 11 | KH-24-086-53-S | Screw, Hex Flange, M6 x 1.0 x16 | 3 |
| 12 | KH-24-126-21 | Bracket, Air Cleaner Base | 1 |
| 13 | KH-24-094-39-S | Base, Air Cleaner | 1 |
| 14 | KH-24-041-06 | Gasket, Air Cleaner Base | 1 |
| 15 | KH-24-164-54-S | Manifold, Intake (Includes 16,17) | 1 |
| 16 | KH-24-153-27-S | O-Ring, Intake Manifold | 2 |
| 17 | KH-24-041-53-S | Gasket, Carburetor | 1 |
| 18 | KH-M-0651040-S | Screw, Hex Flange, M6 x 1.0 x 40 | 4 |
| 19 | KH-24-126-130-S | Bracket, Air Cleaner Base | 1 |
| 20 | KH-M-0545010 | Screw, Hex Flng, M5 x 0.8 x 10 | 2 |

FUEL SYSTEM

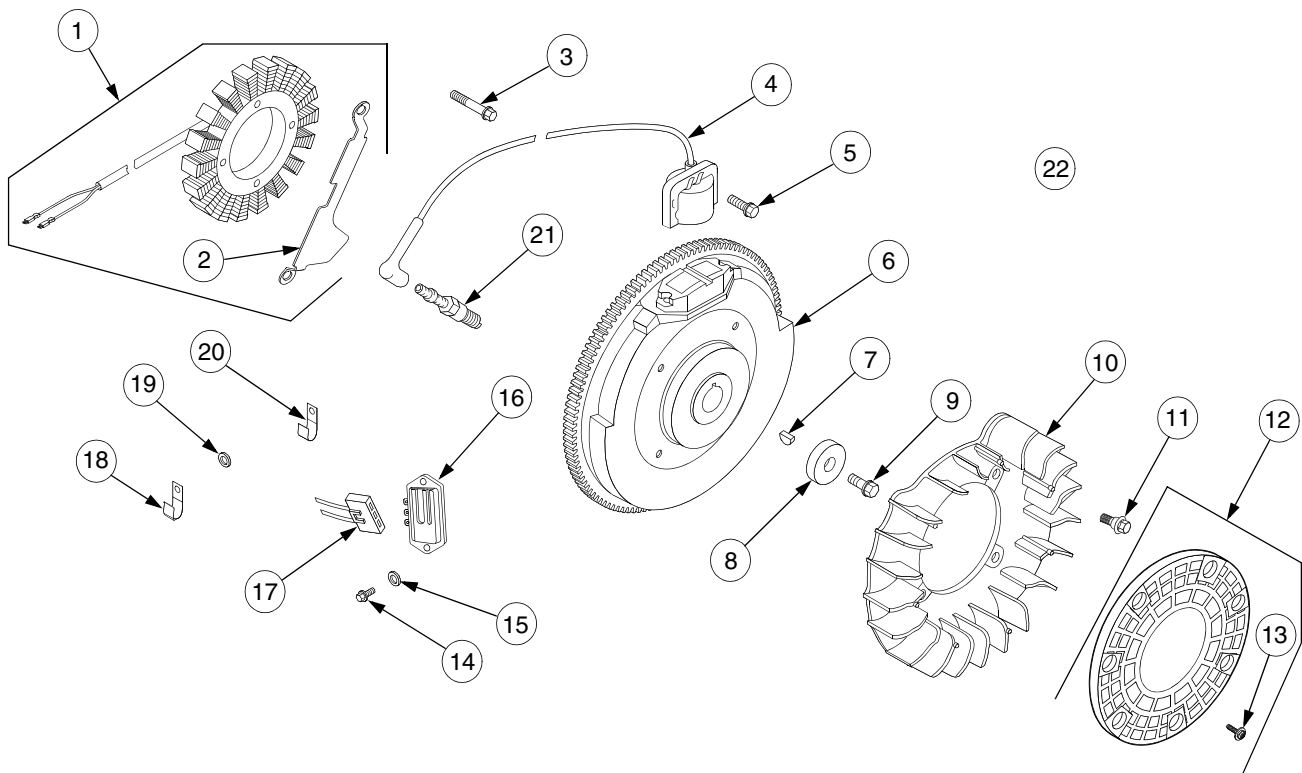


| REF. NO. | PART NUMBER | DESCRIPTION | QTY. |
|----------|-----------------|---|------|
| 1 | KH-24-853-59-S | Kit, Carburetor w/Gasket (Includes 2,3) | 1 |
| 2 | KH-24-041-06 | Gasket, Air Cleaner Base | 1 |
| 3 | KH-24-041-53 | Gasket, Carburetor | 1 |
| 4 | KH-M-651025-S | Screw, Hex Flange, M6 x 1.0 x 25 | 2 |
| 5 | KH-24-050-10-S | Filter, Fuel | 1 |
| 6 | KH-25-237-14-S | Clamp, Hose | 4 |
| 7 | KH-52-353-20 | Line, Fuel 10" (Carb to Filter) | 1 |
| 8 | KH-24-353-12 | Line, Fuel 11" (Carb to Pump) | |
| | | Not Illustrated | |
| | KH-24-518-24-S | Lead, Ground | 1 |
| | KH-24-757-01 | Kit, Solenoid | 1 |
| | KH-24-757-02 | Kit, Float Repair | 1 |
| | KH-24-757-03 | Kit, Carburetor Repair | 1 |
| | KH-24-757-07 | Kit, Choke Repair | 1 |
| | KH-24-755-125-S | Kit, High Altitude | 1 |

ELECTRIC START

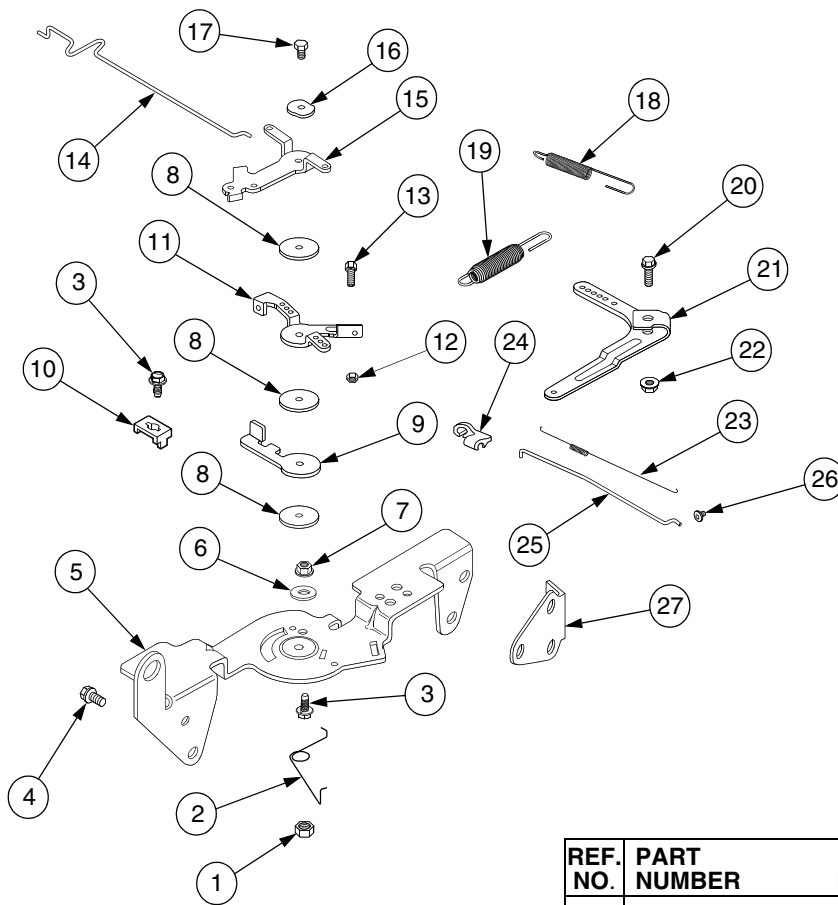
| REF. NO. | PART NUMBER | DESCRIPTION | QTY. |
|----------|-----------------|--|------|
| 1 | KH-M-0841080 | Nut, Hex Flange M8 x 1.25" | 1 |
| 2 | KH-M-839080 | Screw, Hex Flange M8 x 1.25 x 80 | 2 |
| 3 | KH-25-098-09-S | Starter, Solenoid Shift Assembly . (Includes 4-8) | 1 |
| 4 | KH-25-086-113-S | Screw, External Torx Hd. | 3 |
| 5 | KH-25-435-06-S | Kit, Solenoid | 1 |
| 6 | KH-25-755-33-S | Kit, Pinion Drive (Includes 7) | 1 |
| 7 | KH-25-141-05-S | Ring, Retainer | 1 |
| 8 | KH-25-221-01-S | Kit, Brush | 1 |

IGNITION, ELECTRICAL AND FLYWHEEL



| REF. NO. | PART NUMBER | DESCRIPTION | QTY. |
|----------|-----------------|-----------------------------------|------|
| 1 | KH-54-755-09 | Stator Kit, 15 Amp (Incl. Ref #2) | 1 |
| 2 | KH-24-126-139-S | Bracket, Stator Wire | 1 |
| 3 | KH-M-0548025 | Screw, Stator Mtg. M5 x .8 x 25 | 2 |
| 4 | KH-24-584-01-S | Module, Ignition | 2 |
| 5 | KH-M-545020-S | Screw, Module M5 x .8 x 20 | 4 |
| 6 | KH-24-025-04 | Flywheel Assembly | 1 |
| 7 | KH-X-42-15 | Key | 1 |
| 8 | KH-12-468-03 | Washer, Flywheel Mtg. Screw | 1 |
| 9 | KH-12-086-14 | Screw, Flywheel Mtg, M10x1.5 x 46 | 1 |
| 10 | KH-24-157-11 | Fan | 1 |
| 11 | KH-25-086-47 | Bolt, Shoulder | 4 |
| 12 | KH-54-755-15-S | Kit, Grass Screen | 1 |
| 13 | KH-25-086-117-S | Screw, Sems Hx Hd | 3 |
| 14 | KH-24-086-18 | Screw Phillips Hd., #11-16 x .875 | 2 |
| 15 | KH-X-25-92 | Washer, Plain | 2 |
| 16 | KH-41-403-09-S | Regulator - Rectifier | 1 |
| 17 | KH-236602 | Connector, Regulator-Rectifier | 1 |
| 18 | KH-235173 | Clip, Cable | 1 |
| 19 | KH-X-25-63 | Washer, Plain 1/4" | 1 |
| 20 | KH-12-154-01 | Clip, Cable | 1 |
| 21 | 759-3336 | Spark Plug | 2 |
| | KH-24-176-08 | Harness, Wire | 1 |
| | KH-24-126-137-S | Bracket, Ground Strap | 1 |
| | KH-25-086-91-S | Screw, Tapping | 2 |
| | KH-24-454-03-S | Tie, Wire | 2 |
| | KH-25-468-07-S | Washer, Flat | 1 |

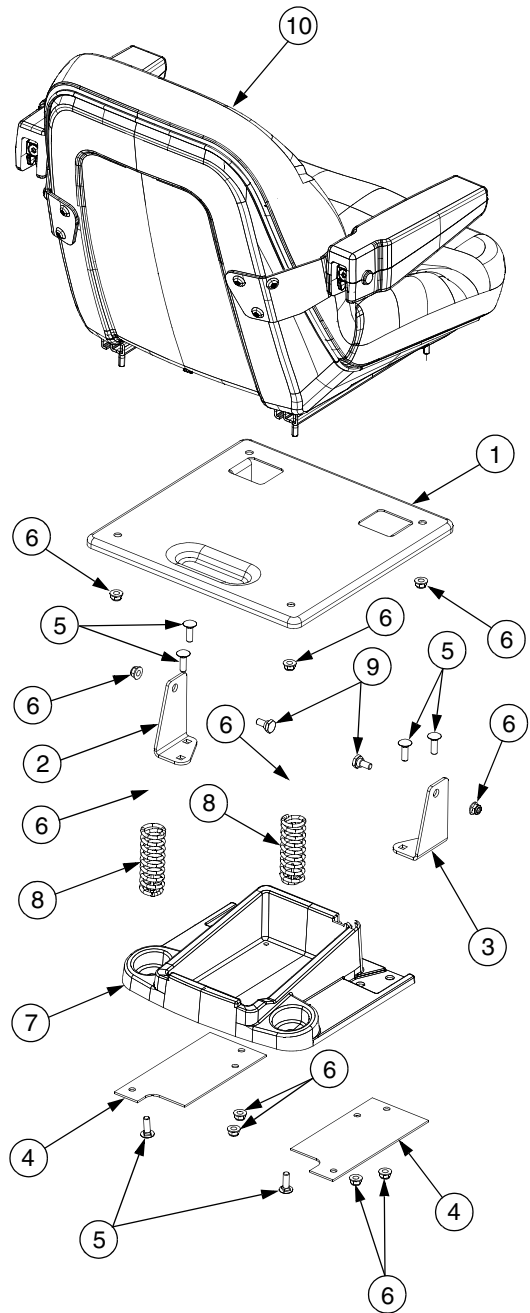
ENGINE CONTROLS



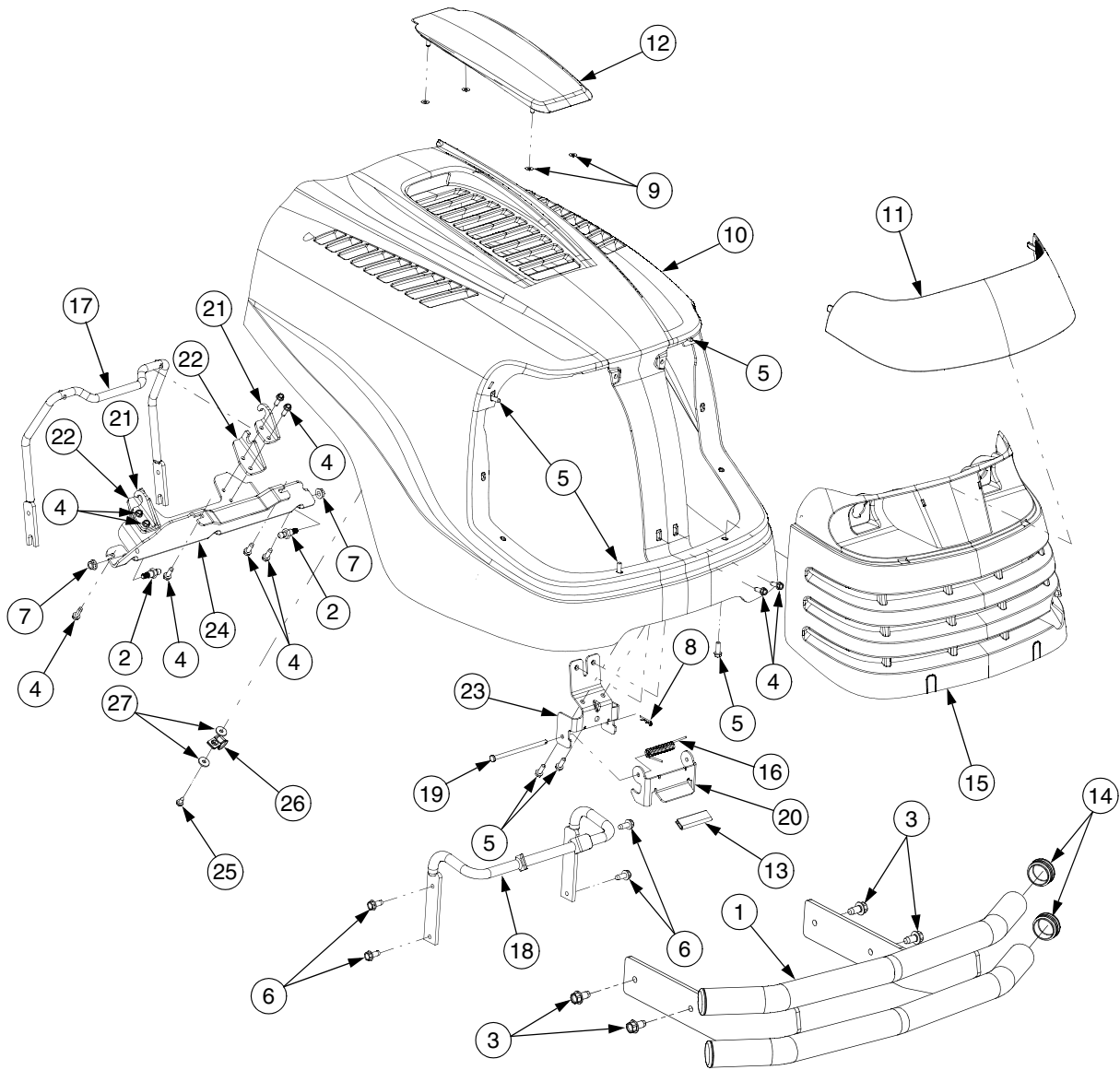
| REF. NO. | PART NUMBER | DESCRIPTION | QTY. |
|----------|----------------|---------------------------------|------|
| 1 | KH-M-0547050 | Nut, Hex Lock M5 x 0.8 | 1 |
| 2 | KH-24-089-03 | Spring, Choke Return | 1 |
| 3 | KH-M-545016-S | Screw, Hex Flange M5 x 0.8 x 16 | 3 |
| 4 | KH-M-645016-S | Screw, Hex Flange M6 x 1.0 x 16 | 4 |
| 5 | KH-24-126-56 | Bracket, Control | 1 |
| 6 | KH-X-20-1-S | Washer | 1 |
| 7 | KH-M-541050-S | Nut, Hex | 1 |
| 8 | KH-24-468-01 | Washer, Plain 5.5mm | 3 |
| 9 | KH-24-090-07 | Lever, Throttle Actuator | 1 |
| 10 | KH-12-237-01 | Clamp, Cable | 2 |
| 11 | KH-24-090-13 | Lever, Throttle Control | 1 |
| 12 | KH-M-446030-S | Nut, Hex M4 x 0.7 | 1 |
| 13 | KH-M-401030-S | Screw, Hex Cap M4 x 0.7 x30 | 1 |
| 14 | KH-24-079-21-S | Linkage, Choke | 1 |
| 15 | KH-24-090-05 | Lever, Choke | 1 |
| 16 | KH-41-468-03 | Washer, Spring 1/4" | 1 |
| 17 | KH-M-0545020 | Screw, Hex Flange M5 x 0.8 x 20 | 1 |
| 18 | KH-24-089-51 | Spring, Throttle Limiter | 1 |
| 19 | KH-24-089-44-S | Spring, Governor | 1 |
| 20 | KH-24-211-03 | Screw, Round Hd. Square Neck | 1 |
| 21 | KH-24-090-33 | Lever, Governor | 1 |
| 22 | KH-M-0641060 | Nut, Hex Flange M6 x 1.0 | 1 |
| 23 | KH-24-089-01 | Spring, Linkage | 1 |
| 24 | KH-25-158-08 | Bushing, Linkage Retaining | 1 |
| 25 | KH-24-079-01 | Linkage, Throttle | 1 |
| 26 | KH-25-158-11 | Bushing, Linkage Retaining | 1 |
| 27 | KH-24-126-04 | Bracket, Support | 2 |

SEAT AND SUPPORT

| REF. NO. | PART NUMBER | DESCRIPTION | QTY. |
|----------|-------------|--|------|
| 1 | 703-05861 | Seat, Base | 1 |
| | 777I20310 | Graphic, Seat Adjuster | 1 |
| 2 | 703-05877 | Bracket, LH Seat Pivot | 1 |
| 3 | 703-05878 | Bracket, RH Seat Pivot | 1 |
| 4 | 703-2628 | Bracket, Fender Reinforcement | 2 |
| 5 | 710-0276 | Bolt, Carriage, 5/16-18 x 1.0 | 6 |
| 6 | 712-04063 | Nut, Hx Insert Flange Lck, 5/16-18 GrF | 12 |
| 7 | 731-3162A | Tray, Tool | 1 |
| | 777I20310 | Graphic, Seat Adjust | 1 |
| 8 | 732-04352 | Spring, Compression | 2 |
| 9 | 738-0140 | Bolt, Shoulder | 2 |
| 10 | 757-04042 | Seat, High Back w/Arm Rests | 1 |
| | 777D09646 | Graphic, Seat Back | 1 |



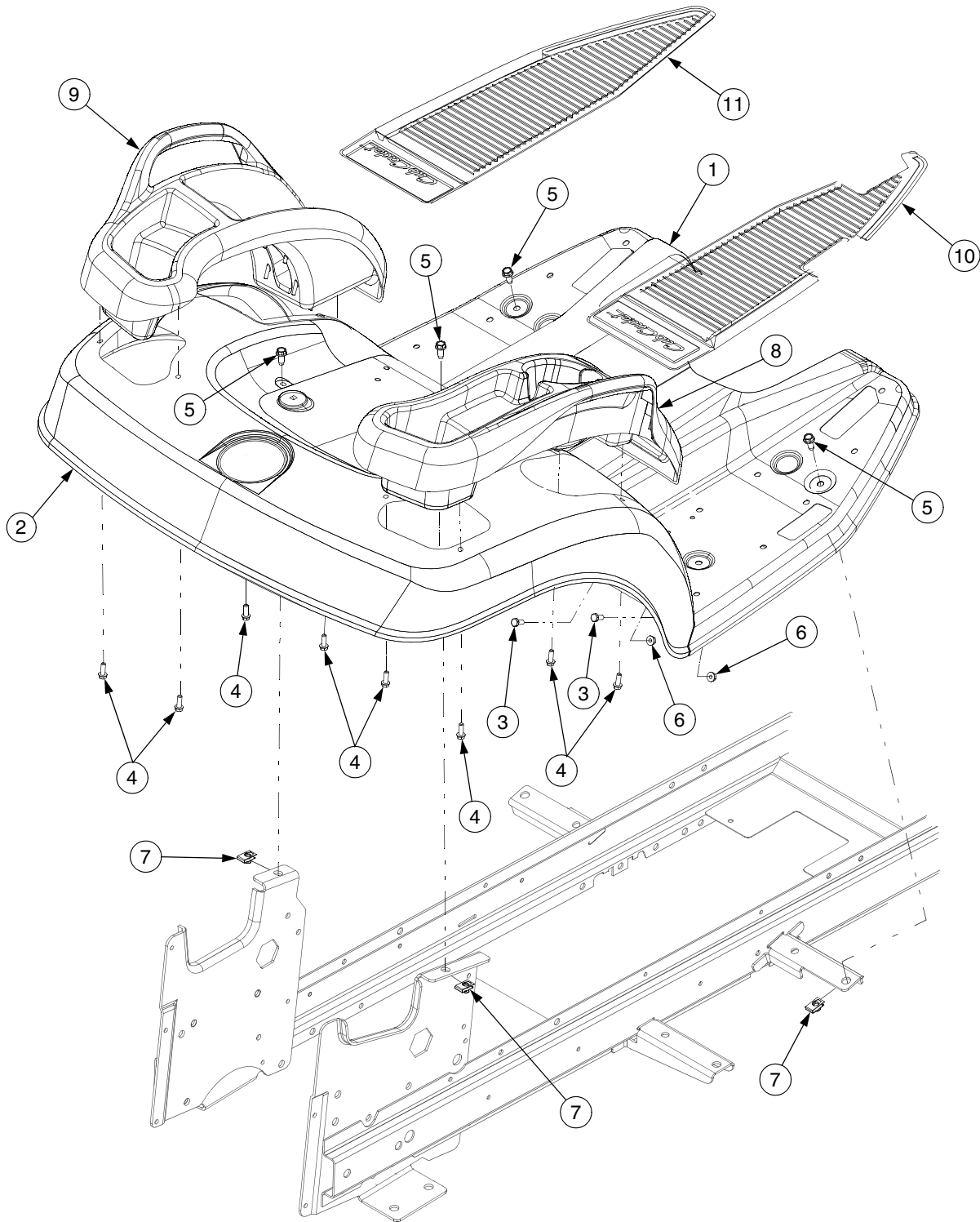
GRILLE AND HOOD



GRILLE AND HOOD

| REF. NO. | PART NUMBER | DESCRIPTION | QTY. |
|----------|-------------|--|------|
| 1 | 603-04343 | Bumper | 1 |
| 2 | 710-04471 | Screw, Ball Shoulder, 5/16-18 x.56 | 2 |
| 3 | 710-0623 | Screw, Hx Washer Hd Tapp 3/8-16 x.750 | 4 |
| 4 | 710-0642 | Screw, Hx Washer Hd Tapp 1/4-20 x .750 | |
| 5 | 710-0895 | Screw, 1/4-15 x.750 | 8 |
| 6 | 710-1260A | Screw, Hx Washer Hd Tapp 5/16- 18 x.750 | 4 |
| 7 | 712-04063 | Nut, Flange Lock, 5/16-18 GR5 | 2 |
| 8 | 714-0104 | Pin, Cotter,.072 Dia. x 1.13 | 1 |
| 9 | 726-0233 | Nut, Push, .25 ID x .50 OD | 4 |
| 10 | 731-05053B | Hood | 1 |
| | 777D09721 | Graphic, Cub Cadet RH | 1 |
| | 777D09722 | Graphic, Cub Cadet LH | 1 |
| | 777D09716 | Graphic, GT2544 LH | 1 |
| | 777D09715 | Graphic, GT2544 RH | 1 |
| 11 | 731-05111 | Lens | 1 |
| 12 | 731-05161 | Cover, Hood | 1 |
| 13 | 731-05291 | Vinyl Strip, 2.5" | 1 |
| 14 | 731-05368 | Cap, Bumper | 4 |
| 15 | 731-05510 | Grill | 1 |
| | 777X42027 | Reflector, Headlight | 1 |
| 16 | 732-04281A | Latch Spring | 1 |
| 17 | 747-04354B | Hood Pivot Rod | 1 |
| 18 | 747-04423 | Hood Latch Rod | 1 |
| 19 | 747-1323A | Rod,.250 Dia. x 4.55 | 1 |
| 20 | 783-04717A | Latch Pivot Bracket | 1 |
| 21 | 783-04724A | Upper Pivot Bracket | 2 |
| 22 | 783-04725A | Hood Pivot Bracket | 2 |
| 23 | 783-04848 | Latch Plate | 1 |
| 24 | 783-04971 | Hood Hinge Bracket | 1 |
| 25 | 710-0224 | Screw, Hx Wash, Hd. AB, 10-16 x .5 | 1 |
| 26 | 726-0272 | Clamp, 9/16 | 1 |
| 27 | 736-0400 | Washer, Flat, .194 x .62 x .063 | 2 |

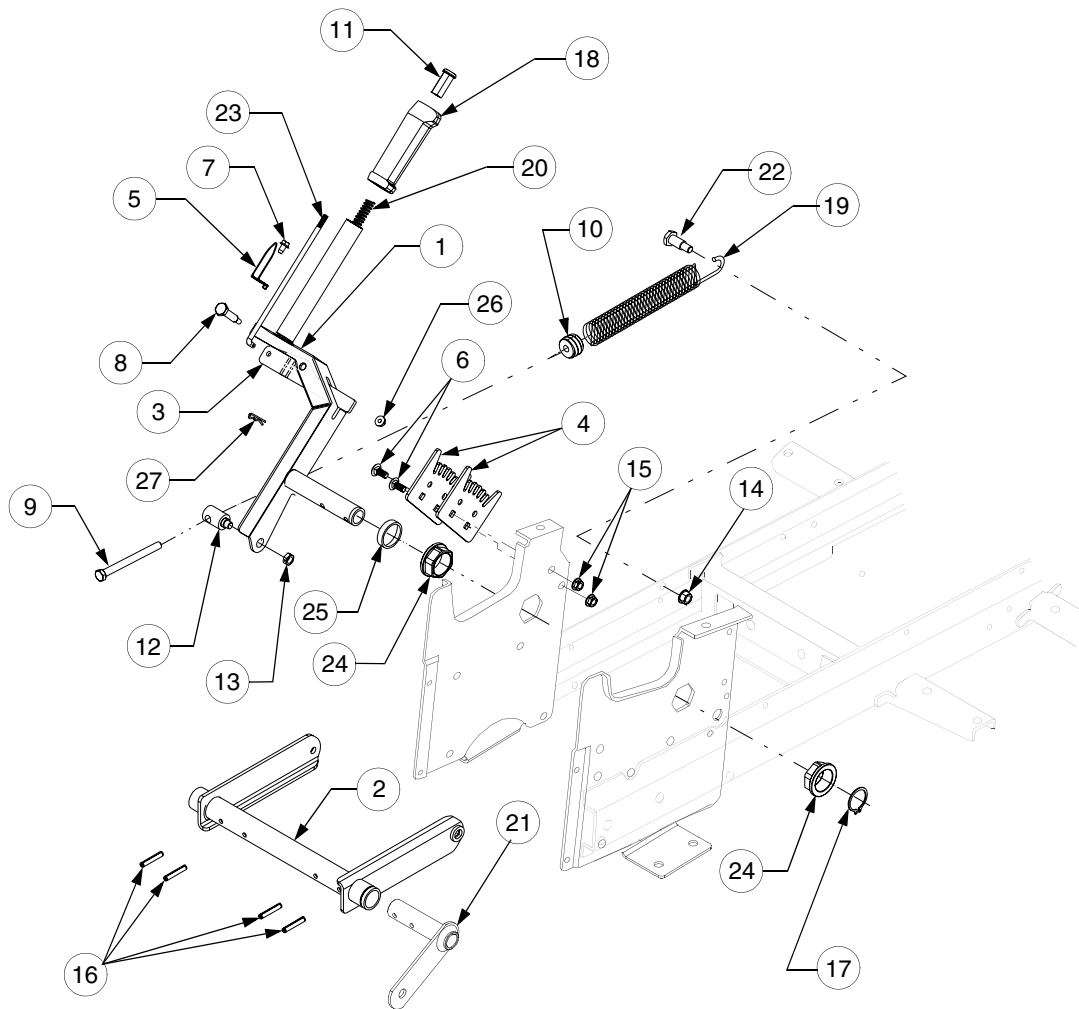
FENDER AND RUNNING BOARD



FENDER AND RUNNING BOARD

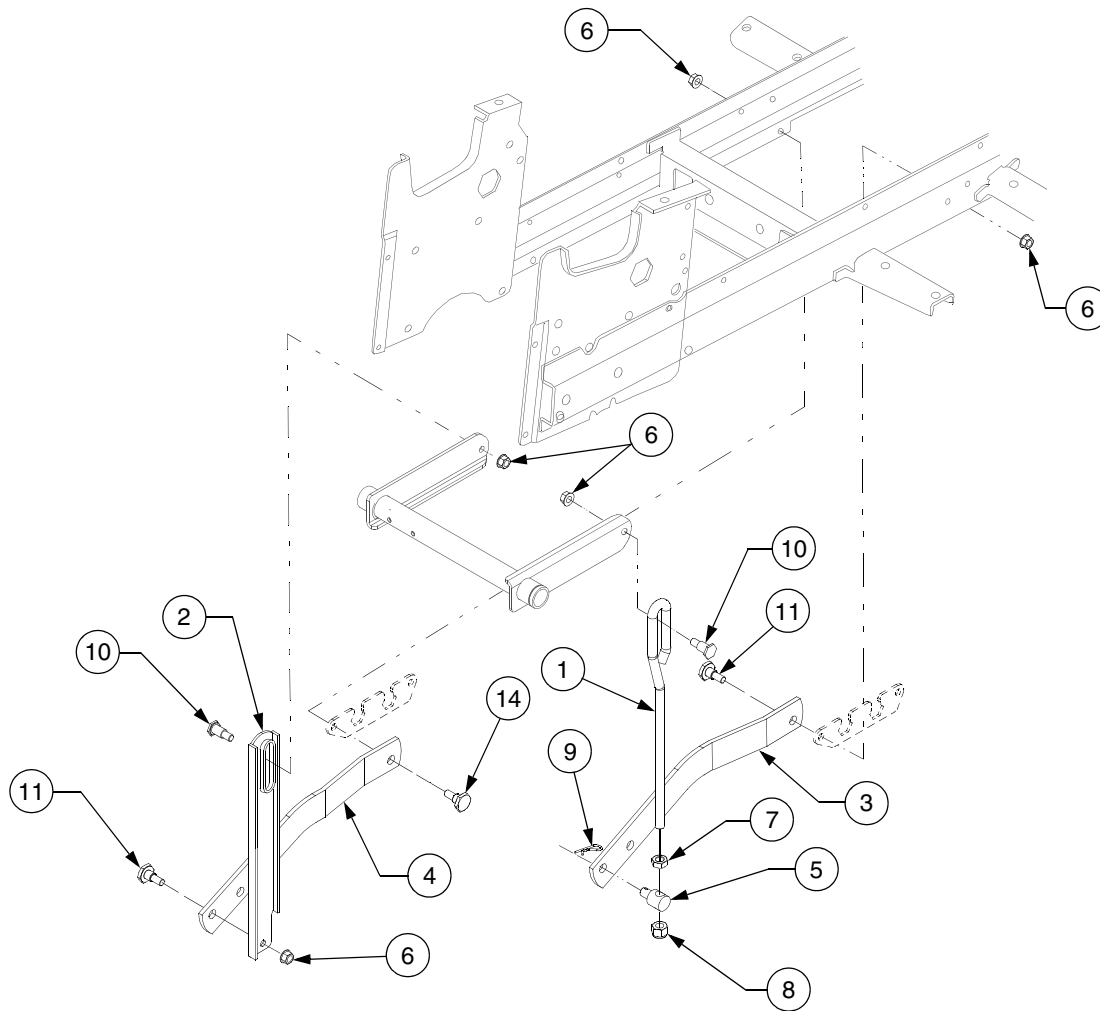
| REF. NO. | PART NUMBER | DESCRIPTION | QTY. |
|---------------------|------------------------|--|-------------|
| 1 | 703-05821 | Running Board w/Graphic | 1 |
| | 777S30170 | Graphic, Warning | 1 |
| | 777S32494 | Graphic, Danger | 1 |
| | 777I22604 | Graphic, Maintenance | 1 |
| 2 | 703-05869 | Fender | 1 |
| | 777D08321 | Graphic, Shaft Drive | 1 |
| 3 | 710-0751 | Screw, Hex Cap, 1/4-20 x .62 GR5 | 6 |
| 4 | 710-0895 | Screw, 1/4-15 x.750 | 8 |
| 5 | 710-1260A | Screw, Hex Wash Hd Tapp 5/16-18 x .750 | 4 |
| 6 | 712-3027 | Nut, Hex Flange Lock, 1/4-20 | 6 |
| 7 | 726-0211 | U-Nut, 5/16-18 | 4 |
| 8 | 731-05488 | Cover, Fender RH | 1 |
| 9 | 631-04206 | Cover, Fender LH | 1 |
| 10 | 735-3046A | Pad, RH Foot | 1 |
| 11 | 735-3047 | Pad, LH Foot | 1 |

IMPLEMENT LIFT HANDLE



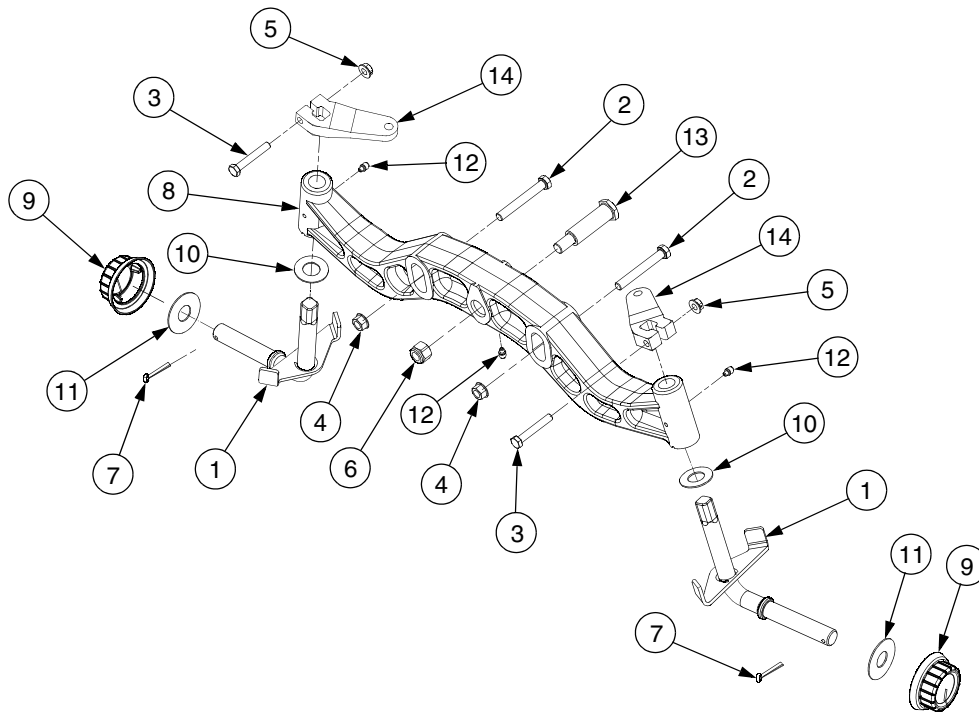
| REF. NO. | PART NUMBER | DESCRIPTION | QTY. | REF. NO. | PART NUMBER | DESCRIPTION | QTY. |
|----------|-------------|-----------------------------------|------|----------|-------------|------------------------------------|------|
| 1 | 603-04141 | Handle Assembly, Lift | 1 | 14 | 712-0431 | Nut, Hex Flanged Lock, 3/8-16 | 1 |
| 2 | 603-04140 | Shaft Assembly, Lift | 1 | 15 | 712-3004A | Nut, Hex Flanged Top Lock, 5/16-18 | 2 |
| 3 | 703-05247 | Fork, Lift | 1 | 16 | 715-0114 | Pin, Spiral Spring, 1/4 Dia x 1.5 | 4 |
| 4 | 703-2239A | Bracket, Lift Index | 2 | 17 | 716-0116 | Ring, Snap, 1.25 Dia Shaft | 1 |
| 5 | 703-2558 | Indicator, Lift Height | 1 | 18 | 731-3158 | Grip, Lift Handle | 1 |
| 6 | 710-0451 | Bolt, Carriage, 5/16-18 x .75 | 2 | 19 | 732-3093 | Spring, Extension | 1 |
| 7 | 710-0599 | Screw, Hex Wash Tapp, 1/4 x .5 | 1 | 20 | 732-3097 | Spring, Compression | 1 |
| 8 | 738-0560 | Screw, Shoulder, .374 x 1.375 | 1 | 21 | 603-04139 | Arm, Lift Assist RH | 1 |
| 9 | 710-3279 | Screw, Hex Cap, 3/8-16 x 4.25 GR5 | 1 | 22 | 738-0145 | Bolt, Shoulder | 1 |
| 10 | 711-0635 | Insert, Spring | 1 | 23 | 747-3175A | Rod, Index | 1 |
| 11 | 711-0642A | Button, Handle | 1 | 24 | 748-3051 | Bearing, Hex Flange, 1.25 ID | 2 |
| 12 | 711-3350 | Ferrule, Adjustment | 1 | 25 | 750-3131 | Spacer, 1.28 ID x 1.5 OD x .335 Lg | 1 |
| 13 | 712-0262 | Nut, Hex Center Lock, Jam, 3/8-24 | 1 | 26 | 712-3027 | Nut, Hex Flange Lock, 1/4-20 | 1 |
| | | | | 27 | 714-0104 | Pin, Internal Cotter | 1 |

IMPLEMENT LIFT HANGER



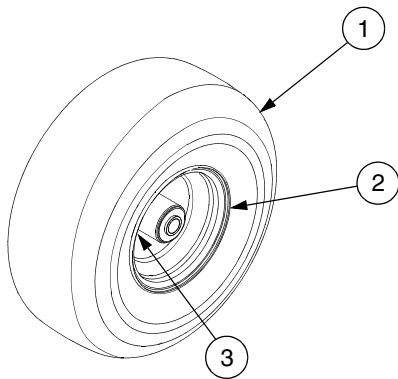
| REF. NO. | PART NUMBER | DESCRIPTION | QTY. |
|----------|-------------|------------------------------|------|
| 1 | 747-04196 | Rod, Lift Link | 1 |
| 2 | 703-2234 | Bracket, LH Hanger | 1 |
| 3 | 703-2832 | Link, RH Lift | 1 |
| 4 | 703-2833 | Link, LH Lift | 1 |
| 5 | 711-3319 | Ferrule, Adjustment | 1 |
| 6 | 712-0431 | Nut, Hex Flange Lock, 3/8-16 | 5 |
| 7 | 712-3048 | Nut, Hex Jam, 1/2-13 GR5 | 1 |
| 8 | 712-3083 | Nut, Hex Insert Lock, 1/2-13 | 1 |
| 9 | 714-0145 | Pin, Internal Cotter | 1 |
| 10 | 738-0430 | Bolt, Shoulder | 2 |
| 11 | 738-0507B | Bolt, Shoulder | 3 |

FRONT AXLE AND CONNECTIONS



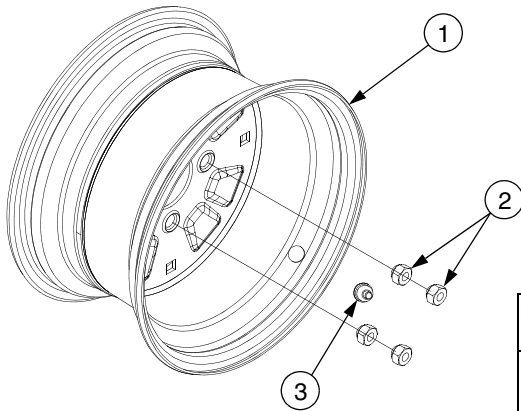
| REF. NO. | PART NUMBER | DESCRIPTION | QTY. |
|----------|-------------|--------------------------------------|------|
| 1 | 603-04338 | Axle Assembly | 2 |
| 2 | 710-3066 | Screw, Hex Cap, 3/8-16 x 2.75 GR8 | 2 |
| 3 | 710-3103 | Screw, Hex Cap, 5/16-18 x 2 GR5 | 2 |
| 4 | 712-0431 | Nut, Hex Flanged Lock, 3/8-16 | 2 |
| 5 | 712-3004A | Nut, Hex Flange Top Lock, 5/16-18 | 2 |
| 6 | 712-3083 | Nut, Hex Top Nylon Lock, 1/2-13 | 1 |
| 7 | 714-04039 | Pin, Cotter, 5/32 x 1.25 | 2 |
| 8 | 719-3095 | Axle, Front Pivot | 1 |
| 9 | 731-3020 | Hubcap | 2 |
| 10 | 736-0188 | Washer, Flat, .760 x 1.49 x .06 Thk. | 2 |
| 11 | 736-0866 | Washer, Flat, .755 x 1.92 x .06 | 2 |
| 12 | 737-3000 | Fitting, Lube, 3/16 Drive Type | 3 |
| 13 | 738-3110 | Bolt, Pivot Shoulder, 3/4 Dia x 2.23 | 1 |
| 14 | 748-3049 | Arm, Steering | 2 |

FRONT WHEEL



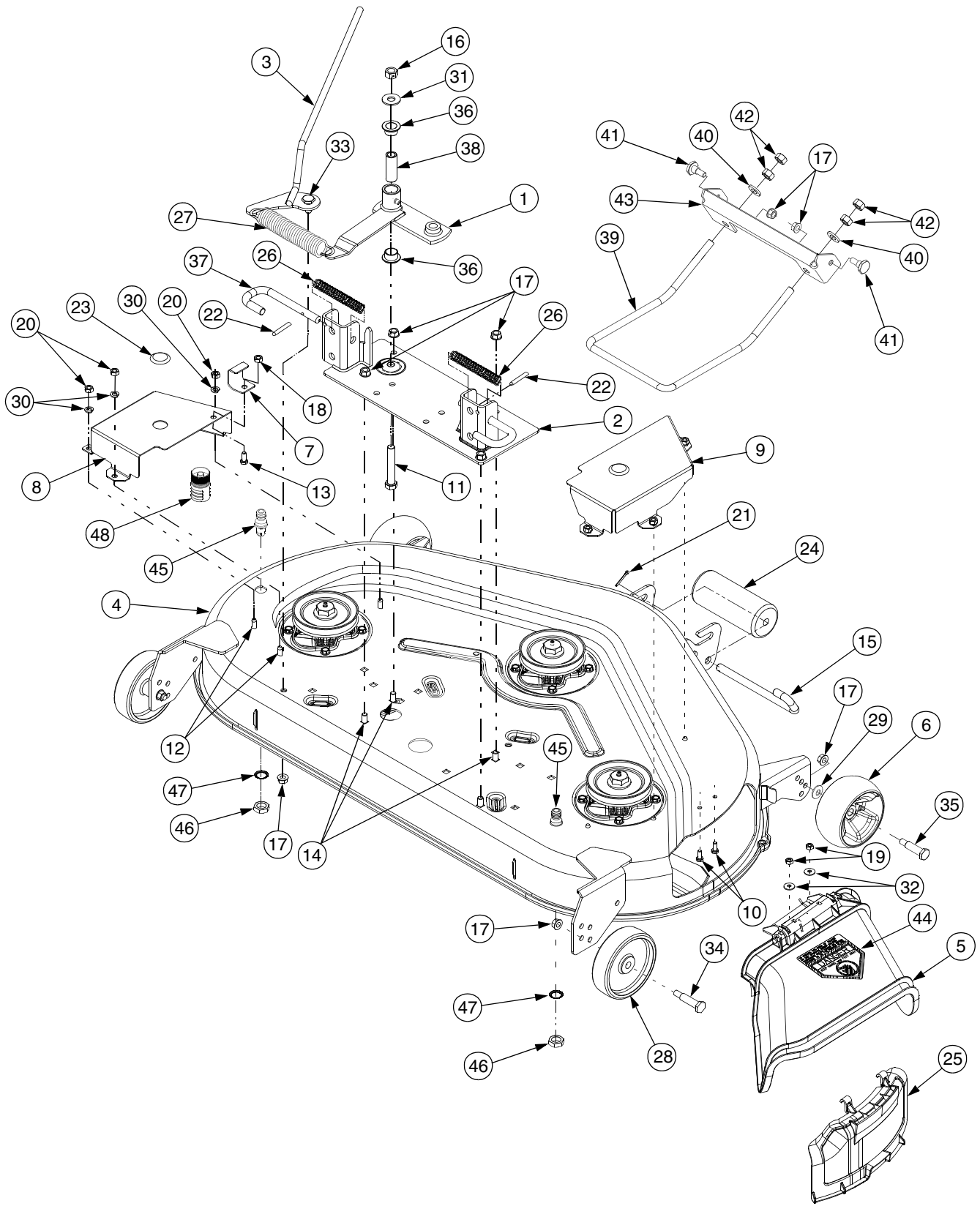
| REF. NO. | PART NUMBER | DESCRIPTION | QTY. |
|----------|-------------|-------------------------------|------|
| 1 | 734-3187 | Tire, Cub Tread, 16 x 6.5 x 8 | 2 |
| 2 | 634-04090A | Rim Assy, Front | 2 |
| | 734-0255 | Valve, Tubeless Air | 2 |
| | 741-04137 | Bearing, Ball | 4 |
| 3 | 737-0224 | Fitting, Grease (Not Seen) | 4 |

REAR WHEEL



| REF. NO. | PART NUMBER | DESCRIPTION | QTY. |
|----------|-------------|--------------------------------|------|
| | 734-3190 | Tire, Cub Tread, 23 x 9.5 x 12 | 2 |
| 1 | 634-3189 | Rim Assy, Rear | 2 |
| 2 | 712-3050 | Nut, Lug, 7/16-14 | 8 |
| 3 | 734-0255 | Valve, Tubeless Air | 2 |

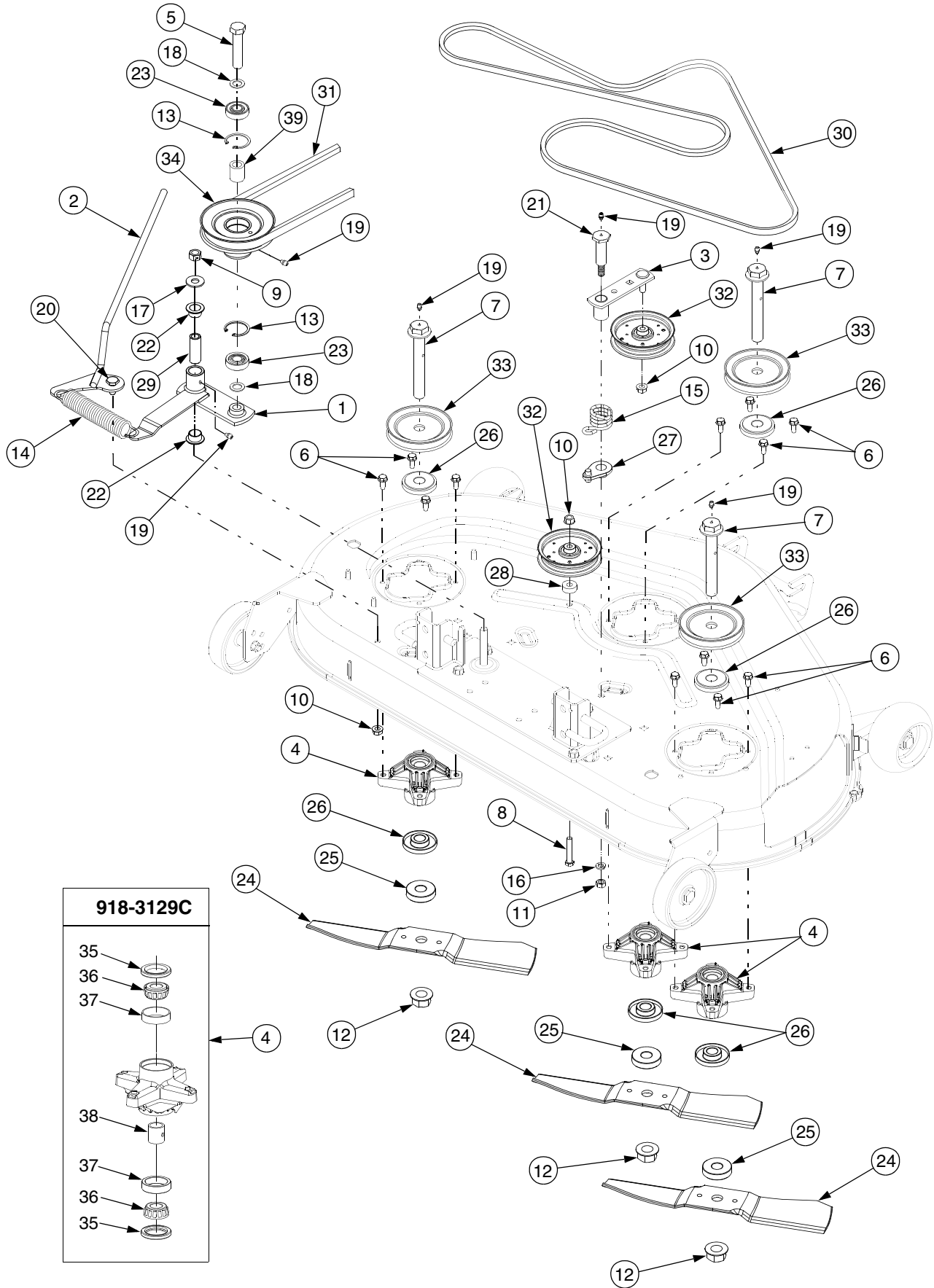
44" DECK ASSEMBLY



44" DECK ASSEMBLY

| REF. NO. | PART NUMBER | DESCRIPTION | QTY. |
|----------|-------------|---------------------------------------|------|
| 1 | 603-0857 | Idler Assembly | 1 |
| 2 | 603-0183A | Plate Assy, Mounting | 1 |
| 3 | 603-04113 | Handle, Tension | 2 |
| 4 | 603-04269A | Deck Housing Assembly | 1 |
| | 777S30014 | Graphic, Warning | 1 |
| | 777S30018 | Graphic, Deck Safety | 1 |
| | 777S30503 | Graphic, Deck Safety | 1 |
| | 777I20847 | Graphic, Belt Routing | 1 |
| 5 | 631-0094 | Chute Assembly, Discharge | 1 |
| 6 | 734-04155 | Wheel, Deck w/Fitting | 2 |
| 7 | 703-2559 | Bracket, Stop | 1 |
| 8 | 703-3742 | Belt Cover, LH | 1 |
| 9 | 703-3743 | Belt Cover, RH | 1 |
| 10 | 710-0751 | Screw, Hex Cap, 1/4-20 x .62 | 2 |
| 11 | 710-1010 | Screw, Hex Cap, 1/2-20 x 3.0 | 1 |
| 12 | 710-1611B | Screw, Self Tap, 5/16-18 x .75 | 6 |
| 13 | 710-3008 | Screw, Hex Cap, 5/16-18 x .75 | 1 |
| 14 | 710-3178 | Bolt, Carriage, 3/8-16 x .75 GR5 | 4 |
| 15 | 711-3314 | Pin, Roller, 1/2 Dia x 7.31 | 1 |
| 16 | 712-0239 | Nut, Hex Lock, 1/2-20 | 1 |
| 17 | 712-0431 | Nut, Flange Lock, 3/8-16 | 11 |
| 18 | 712-3004A | Nut, Flange Lock, 5/16-18 | 1 |
| 19 | 712-3006 | Nut, Hex, 1/4-20 GR5 | 2 |
| 20 | 712-3010 | Nut, Hex, 5/16-18, GR5 | 6 |
| 21 | 714-0115 | Pin, Cotter, 1/8 Dia x 1 | 1 |
| 22 | 715-3003 | Pin, Spiral Spring, 3/16 Dia x .75 | 2 |
| 23 | 726-3045 | Button Plug | 2 |
| 24 | 731-3005 | Front Roller | 1 |
| 25 | 731-3316 | Plug, Mulch | 1 |
| 26 | 732-3127 | Spring, Comp, .66 OD x 1.8 | 2 |
| 27 | 732-0861 | Spring, Ext, .162 Dia x 1.25 OD | 1 |
| 28 | 734-0973 | Wheel, Deck, 5.0 x 1.38 | 2 |
| 29 | 736-0105 | Washer, Belleville, .375 x .87 x .063 | 2 |
| 30 | 736-0119 | Washer, Lock, 5/16 | 6 |
| 31 | 736-0179 | Washer, Flat, 1/2 x 1.25 x .10 | 1 |
| 32 | 736-0270 | Washer, Bell, .265 x .75 x .062 | 2 |
| 33 | 738-0143 | Bolt, Shoulder, .498 Dia x .340 | 1 |
| 34 | 738-0373 | Screw, Shoulder, .498 x 1.53:3/8-16 | 2 |
| 35 | 738-3056 | Bolt, Shoulder, 1/2 x 2.5 : 3/8-16 | 2 |
| 36 | 741-0338 | Bearing, Flange, 3/4 ID x .52 LG | 2 |
| 37 | 747-3188 | Pin, Mower Support | 2 |
| 38 | 750-3136 | Spacer, .5 OD x .75 x 2.07 Lg | 1 |
| 39 | 747-3172C | Rod, Front Lift | 1 |
| 40 | 736-3019 | Washer, Flat, .531 x 1.062 x .134 HT | 2 |
| 41 | 738-0507B | Bolt, Shoulder, .50 Dia. x .494 Lg | 2 |
| 42 | 712-0206 | Nut, Hex, 1/2-13 | 4 |
| 43 | 703-2248 | Bracket, Front Lift | 1 |
| 44 | 777S30284 | Graphic, Danger | 1 |
| 45 | 737-04003C | Nozzle, Deck Wash | 2 |
| 46 | 712-0641 | Nut, Hex M16-1.5 | 2 |
| 47 | 736-0760 | Washer, Lock | 2 |
| 48 | 721-04041 | Adapter, Water Nozzle | 1 |

44" DECK DRIVE & SPINDLE ASSEMBLY



44" DECK DRIVE & SPINDLE ASSEMBLY

| REF. NO. | PART NUMBER | DESCRIPTION | QTY. |
|----------|-------------|---|------|
| 1 | 603-0857 | Idler Assembly | 1 |
| 2 | 603-04113 | Handle, Tension | 2 |
| 3 | 703-0118 | Idler Arm Assembly | 1 |
| 4 | 918-3129C | Spindle Assembly — Includes Ref. Nos. 35, 36, 37 and 38 | 3 |
| 5 | 710-0923 | Screw, Hex Cap, 5/8-18 x 3.0 | 1 |
| 6 | 710-1260A | Screw, Hex Wash Ld, 5/16-18 x .75 | 12 |
| 7 | 710-1852 | Bolt, Spindle, 3/4-16 x 5.37 | 3 |
| 8 | 710-3144 | Screw, Hex Cap, 3/8-16 x 2.0 GR5 | 1 |
| 9 | 712-0239 | Nut, Hex Lock, 1/2-20 | 1 |
| 10 | 712-0431 | Nut, Flange Lock, 3/8-16 | 3 |
| 11 | 712-3019 | Nut, Hex, 7/16-14, GR2 | 1 |
| 12 | 712-3078 | Nut, Hex Flange, 3/4-16 | 3 |
| 13 | 716-3020 | Snap Ring, Internal | 2 |
| 14 | 732-0861 | Spring, Ext, .162 Dia x 1.25 OD | 1 |
| 15 | 732-3067 | Torsion Spring, Idler, 1.10 ID x 1.3 | 1 |
| 16 | 736-0171 | Washer, Lock, 7/16 | 1 |
| 17 | 736-0179 | Washer, Flat, 1/2 x 1.25 x .10 | 1 |
| 18 | 736-0237 | Washer, Flat, .65 x 1.25 x .075 | 2 |
| 19 | 737-3000 | Fitting, Lube, 3/16 Drive | 6 |
| 20 | 738-0143 | Bolt, Shoulder, .498 Dia x .340 | 1 |
| 21 | 738-3172 | Screw, Shldr, .68 x 2.11, 7/16-14 | 1 |
| 22 | 741-0338 | Bearing, Flange, 3/4 ID x .52 LG | 2 |
| 23 | 741-1122 | Bearing, Ball | 2 |
| 24 | 759-3939 | Blade, Mower, 15.94 | 3 |
| 25 | 748-3020 | Spacer, Blade | 3 |
| 26 | 748-3065A | Spacer, Deck Spindle | 6 |
| 27 | 748-3100 | Retainer, Spring | 1 |
| 28 | 750-3119 | Spacer, .406 ID x 1.00 OD x .38 | 1 |
| 29 | 750-3136 | Spacer, .5 OD x .75 x 2.07 Lg | 1 |
| 30 | 754-3039 | V-Belt, 1/2 x 103.0 Lg | 1 |
| 31 | 754-04041 | V-Belt, B sect x 111.2 Lg | 1 |
| 32 | 756-04129 | Pulley, Flat w/Flanges | 2 |
| 33 | 756-3089 | Pulley, V-Type, 4.0 Dia | 3 |
| 34 | 756-3115 | Pulley, Double Lube Fitting NOT included. | 1 |
| 35 | 721-3018A | Seal, Oil, 1.25 x 1.874 x .25 | 6 |
| 36 | 741-04129 | Bearing, Cone | 6 |
| 37 | 741-04130 | Cup, Bearing | 6 |
| 38 | 750-3190A | Spacer, Bearing | 2 |
| 39 | 750-3132 | Spacer, .88 x .635 x 1.25 | 1 |