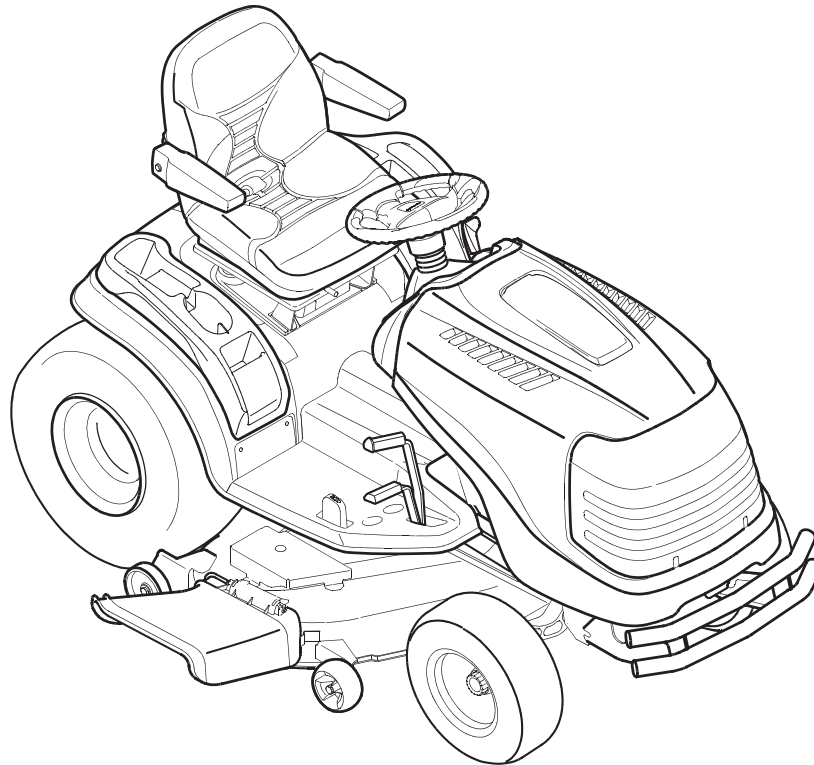

Cub Cadet.

Illustrated Parts Manual



SERIES 2500 TRACTOR Model GT 2544

CUB CADET LLC, P.O. BOX 361131 CLEVELAND, OHIO 44136-0019

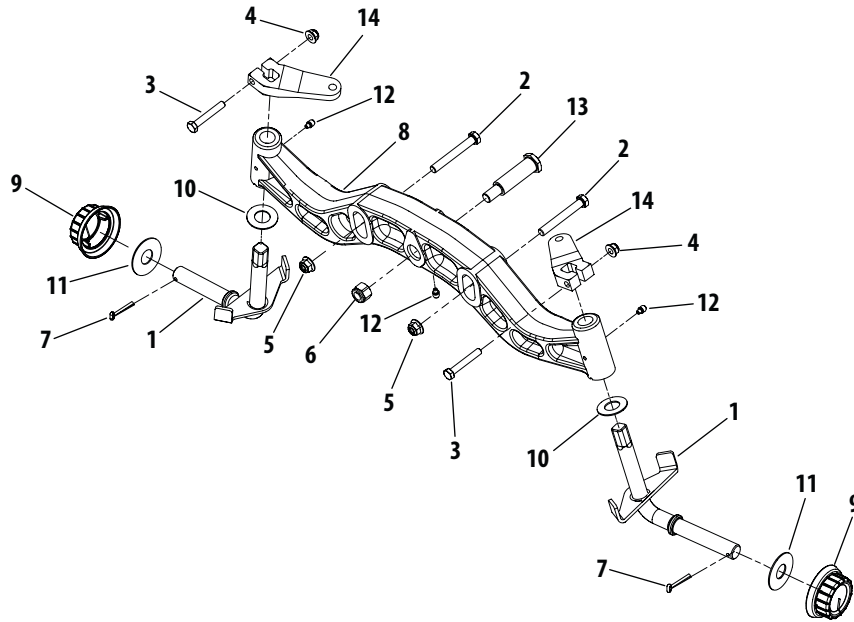
MODEL GT 2544
TABLE OF CONTENTS

DESCRIPTION	PAGE	DESCRIPTION	PAGE
Axle, Front	3	Engine Mounting	30
Battery	13	Fender	18
Brakes	4	Frame	16
Controls		Fuel Tank	24
Engine	14	Grille	20
Pedals	4	Hood	20
Transmission	4	Hydraulic Filter	12
Dash Panel	14	Neutral Linkage and Hydrauling Tube	12
Drawbar	16	Hydrostatic Pump	10
Drive Line	7	Implement Lift Handle	22
Electrical		Implement Lift Links	23
Switches	13	Muffler	30
Wiring	13	PTO Clutch	24
Engine		Running Board	18
Air Filter	36	Seat	17
Blower Housing and Baffles	31	Steering	6
Breather	33	Transmission, Hydro	8
Carburetor	37	Wheels, Front & Rear	25
Controls	40	44" Mower Deck	26
Crankcase	32		
Crankshaft	34		
Cylinder Head	33		
Electrical	39		
Exhaust	34		
Flywheel	39		
Fuel System	37		
Oil Pan	35		
Starter	38		
Valves	33		

NOTE: For painted parts, please refer to the list of color codes below. Please add the applicable color code, wherever needed, to the part number to order a replacement part. For instance, if a part, numbered 700-xxxx, is painted Cub Yellow, the part number to order would be 700-xxxx-0716.

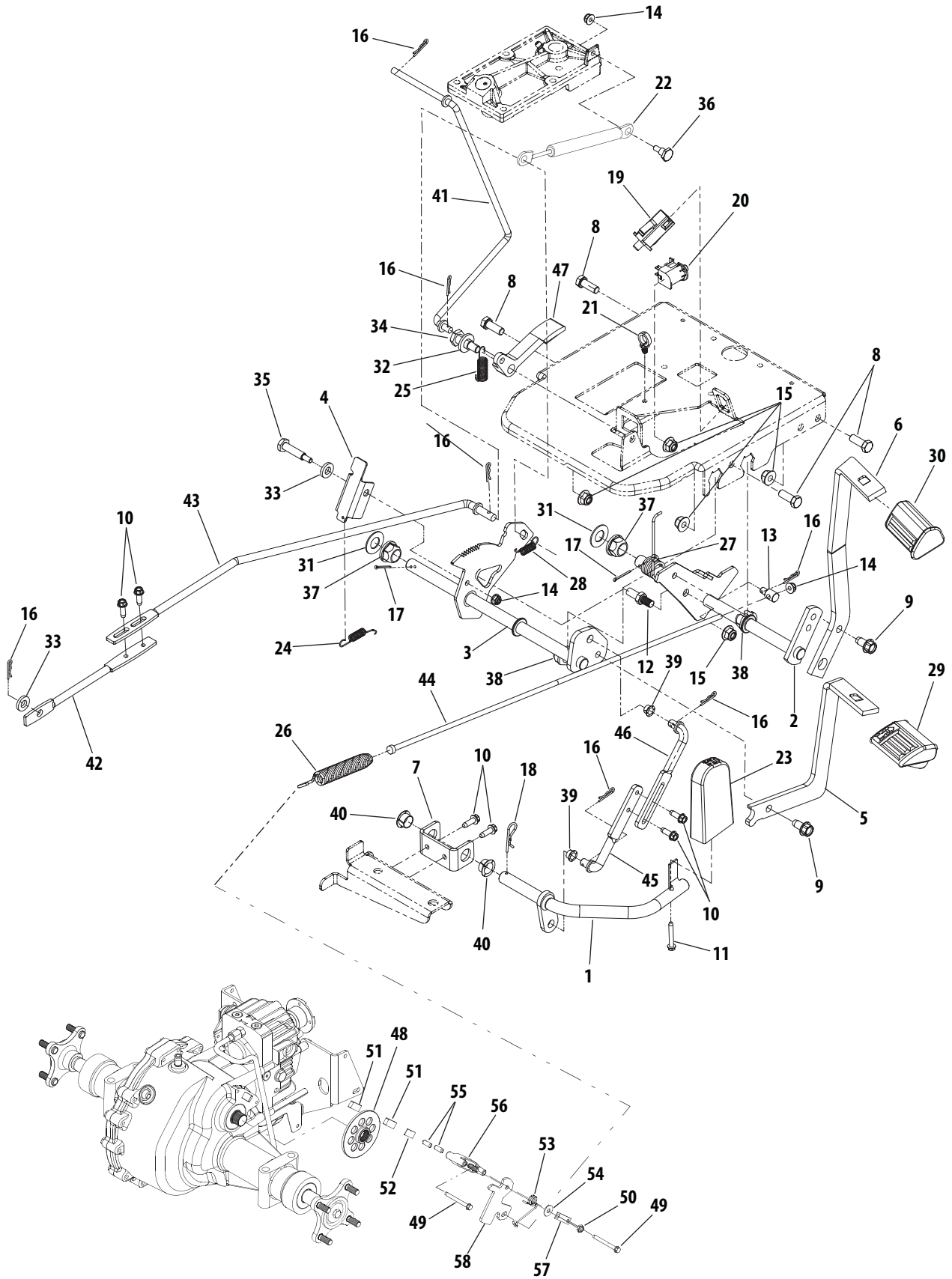
Cub Yellow: 4021
Cub Beige: 0499
Cub Blue: 0685
Powder Black: 0637

Front Axle



REF. NO.	PART NUMBER	DESCRIPTION	QTY.
1	603-04338	Axle Assembly	2
2	710-3066	Screw, Hex Cap, 3/8-16 x 2.75 GR8	2
3	710-3103	Screw, Hex Cap, 5/16-18 x 2 GR5	2
4	712-04065	Nut, Hex Flanged Lock, 3/8-16	2
5	712-04063	Nut, Hex Flange Top Lock, 5/16-18	2
6	712-3083	Nut, Hex Top Nylon Lock, 1/2-13	1
7	714-04039	Pin, Cotter, 5/32 x 1.25	2
8	719-3095	Axle, Front Pivot	1
9	931-3020	Hubcap	2
10	736-0188	Washer, Flat, .760 x 1.49 x .06 Thk.	2
11	736-0866	Washer, Flat, .755 x 1.92 x .06	2
12	937-3000	Fitting, Lube, 3/16 Drive Type	3
13	938-3110	Bolt, Pivot Shoulder, 3/4 Dia x 2.23	1
14	748-3049	Arm, Steering	2

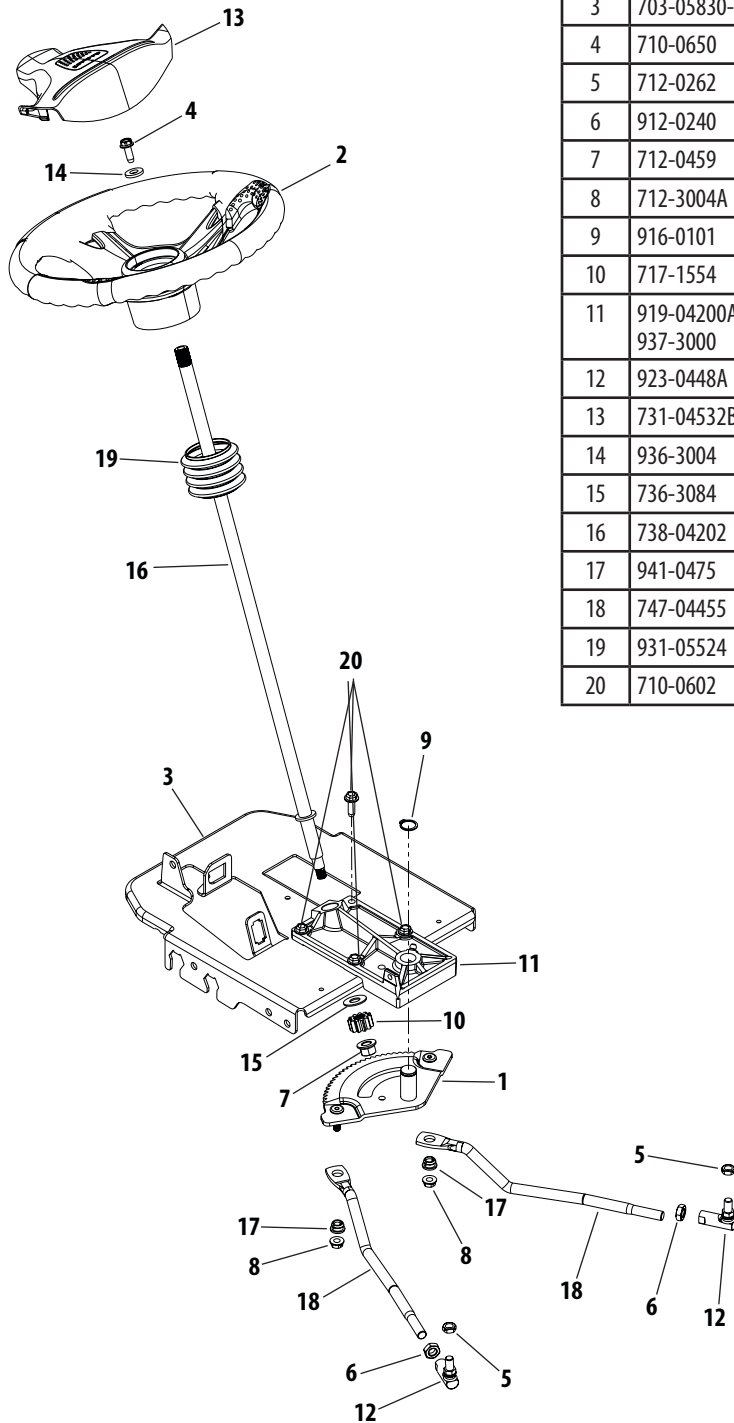
Brake and Control Pedals



Brake and Control Pedals

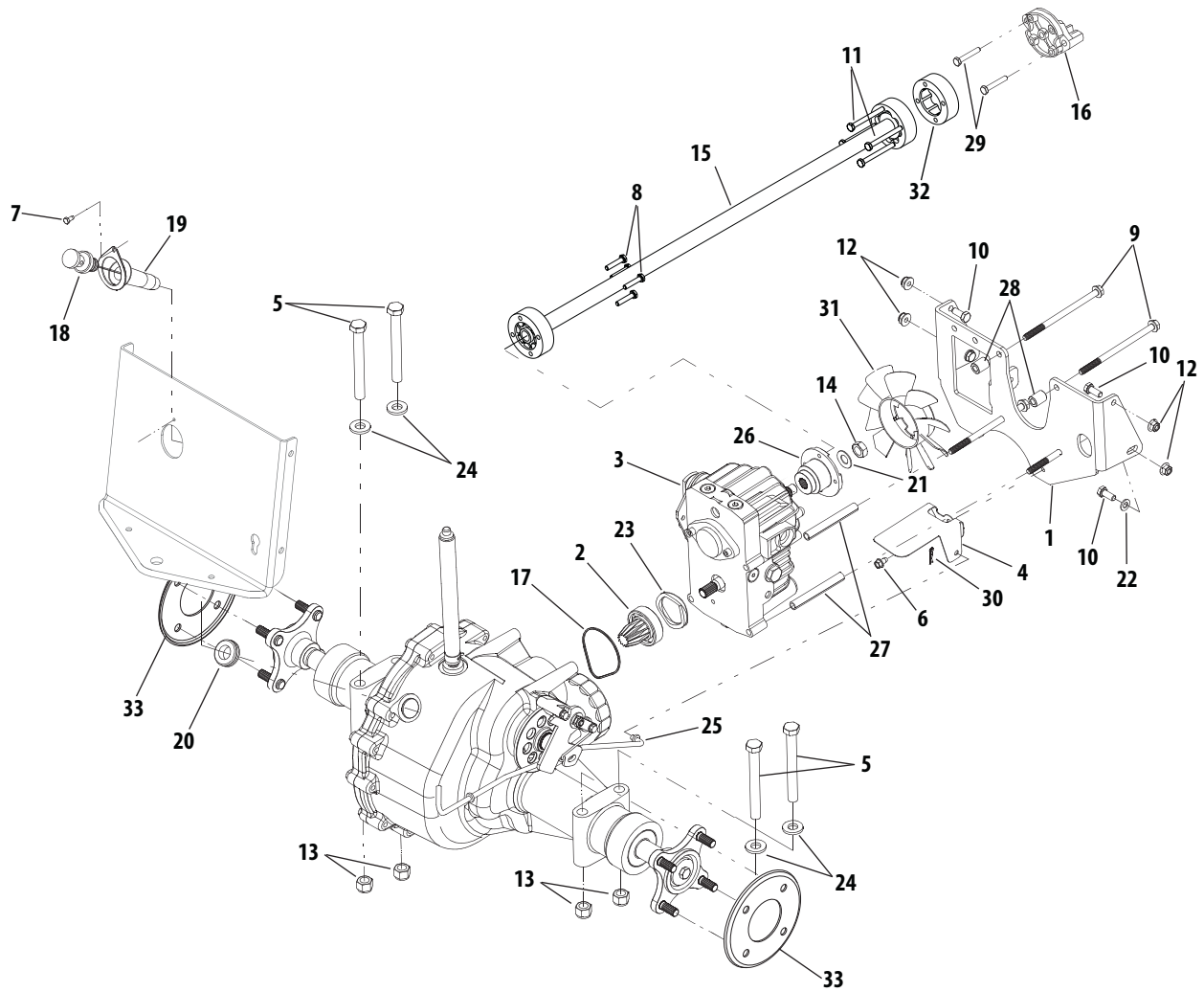
REF. NO.	PART NUMBER	DESCRIPTION	QTY.	REF. NO.	PART NUMBER	DESCRIPTION	QTY.
1	603-0412	Pedal Assy, Reverse	1	29	735-3048	Pad, Forward Foot Control	1
2	603-04313A	Shaft Assy, Brake	1	30	735-3049A	Pad, Brake Foot	1
3	603-04314	Shaft Assy, Forward/Reverse	1	31	736-0187	Washer, Flat, .64 x 1.24 x .06 HT	2
4	703-05873-0637	Bracket, Reverse Switch	1	32	936-0326	Washer, Flat, .51 x 1.0 x .125	1
5	703-2570A-0637	Pedal, Forward	1	33	736-3010	Washer, Flat, .407 x .812 x .135 HT	2
6	703-2573A-0637	Pedal, Brake	1	34	938-0145	Shoulder Bolt, .50 OD x .840	1
7	703-2938	Bracket, Reverse Pivot	1	35	938-0560	Screw, Shoulder, .374 x 1.375	1
8	710-0514	Screw, Hex Cap, 3/8-16 x 1.0 GR5	4	36	938-0974	Screw, Shoulder, .375 x .380:1/4-20	1
9	710-0623	Screw, Hex Wash Hd Tapp, 3/8-16x .75	2	37	941-0225	Bearing, Hex Flange	2
10	710-0642	Screw, Hex Wash Hd Tapp, 1/4-20x .75	6	38	741-3065B	Bearing, Hex Flange Split	2
11	710-0796	Screw, Truss Mach, #12 x 1.5	1	39	941-3073	Bearing, Flange, .375 x .58 x .25	2
12	711-04543	Pin, 3/8-16 x 1.0	1	40	741-3074	Bearing, Flange, .625 x .938 x .344	2
13	711-0736	Ferrule, Adjustment, 1/4-20 Thrd	1	41	747-04426	Rod, Cruise	1
14	712-04064	Nut, Hex Flange Lock, 1/4-20	3	42	747-04478	Rod, Rear F/R Control	1
15	712-04065	Nut, Hex Flange Lock, 3/8-16	5	43	747-04479	Rod, Front F/R Control	1
16	914-0104	Pin, Internal Cotter, 5/16 Dia x 1.12	7	44	747-04516	Rod, Brake	1
17	914-0111	Pin, Cotter, 3/32 x 1.0	2	45	747-3341A	Rod, Rear Connecting	1
18	914-0145	Pin, Internal Cotter, 3/8 Dia x 1.62	1	46	747-3383	Rod, Front Connecting	1
19	925-3164A	Switch, Interlock (Brake)	1	47	748-04102	Latch, Cruise	1
20	925-3167	Switch, Snap Mount (Reverse)	1	48	761-0215	Disc, Brake	1
21	726-3055	Clip, Cable Retainer	1	49	710-1206	Screw, Hex Wash Hd, Tapp, 1/4-20 x 2.375	2
22	727-04141	Cylinder, Damper, .59 OD x 7.84 Lg	1	50	912-0273	Nut, Hex Nylon Lock, 5/16-24	1
23	931-3205	Pedal, Reverse	1	51	917-0678	Pad, Brake	2
24	732-0418	Spring, Extension, .38 OD x 2.1	1	52	917-0682	Plate, Puck	1
25	732-04354	Spring, Extension	1	53	732-0925	Spring, Torsion	1
26	732-0463A	Spring, Extension	1	54	736-0371	Washer, Flat, .343 x .88 x .062	1
27	932-0756A	Spring, Torsion	1	55	941-0343	Pin, Brake Actuating	2
28	732-3118	Spring, Extension, .375 OD x 1.44	1	56	761-0207A	Yoke, Brake	1
				57	761-0208	Bracket, Brake Anti Rotation	1
				58	761-3074	Arm, Brake Actuator	1

Steering



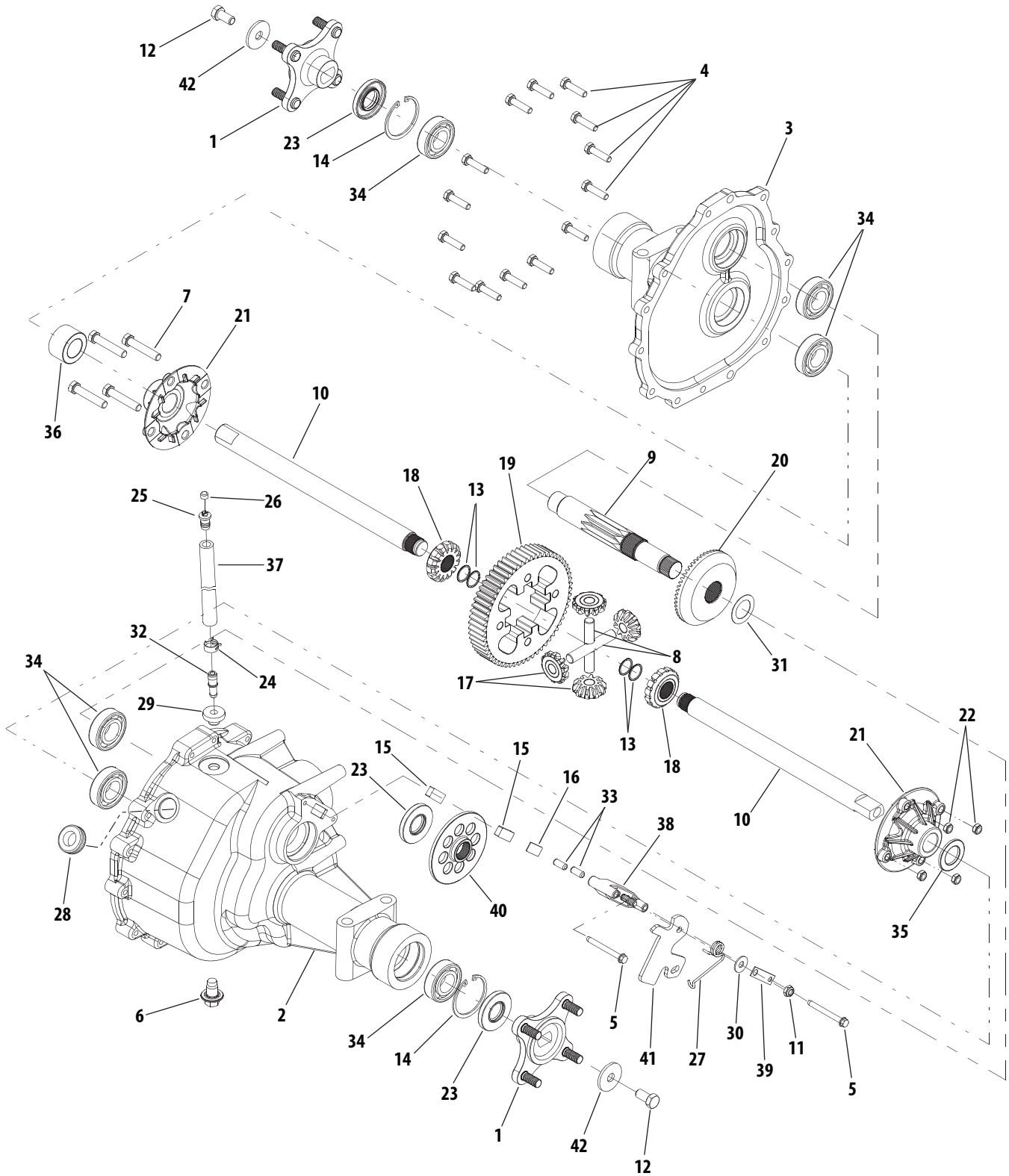
REF. NO.	PART NUMBER	DESCRIPTION	QTY.
1	617-04034	Gear Assy, Segment	1
2	631-04008A	Wheel, Steering, Soft Grip	1
3	703-05830-0637	Bracket, Steering Support	1
4	710-0650	Screw, Hx. Wash. Hd Tapp, 5/16-18 x .875	1
5	712-0262	Nut, Hex Jam Lock, 3/8-24 Gr2	2
6	912-0240	Nut, Hex Jam, 7/16-20 GR2	2
7	712-0459	Nut, Flange Lock 7/16-20 GrB	1
8	712-3004A	Nut, Hex Flange Lock, 5/16-18 GR5	2
9	916-0101	Ring, Snap, .75 Dia Shaft	1
10	717-1554	Gear, Steering Pinion	1
11	919-04200A 937-3000	Housing Assy, Steering Fitting, Grease, 3/16 Drive Type	1 1
12	923-0448A	Joint, Ball, 3/8-24	2
13	731-04532B	Cover, Steering Wheel	1
14	936-3004	Washer, Flat, .406 x .875 x .105 Thk	1
15	736-3084	Washer, Flat, .51 x 1.12 x .03 Thk	1
16	738-04202	Shaft, Steering, .625 x 27.10	1
17	941-0475	Plastic Bushing, .38 ID	2
18	747-04455	Link, Drag	2
19	931-05524	Bellow, Steering, 2.12 Lg	1
20	710-0602	Screw, Hx. Wash. Hd Tapp, 5/16-18 x 1.0	4

Drive Line



REF. NO.	PART NUMBER	DESCRIPTION	QTY.	REF. NO.	PART NUMBER	DESCRIPTION	QTY.
1	603-0707	Bracket, Torque	1	18	727-3195	Dipstick, Transmission	1
2	617-3002	Gear Assembly, Pinion	1	19	731-3294	Holder, Dipstick	1
3	918-3243	Transmission, Hydrostatic	1	20	735-0277A	Grommet, Rubber, .75 x 1.063	1
4	703-4093	Spring Plate, Hydro Dump	1	21	936-0253	Washer, Belleville	1
5	710-0465	Screw, Hex Cap, 1/2-20 x 4.5 GR5	4	22	936-0275	Washer, Flat, .343 x .688 x .065	2
6	710-0599	Scrw, Hx Wsh Hd Tapp, 1/4-20 x .5	1	23	736-0619	Washer, Spring	1
7	710-0919	Scrw, Hx Wsh Hd Tapp, 10-16 x .44	1	24	736-3019	Washer, Flat, .531 x 1.062 x .134	4
8	710-1062	Screw, Hex Patch, 1/4-20 x 1.25 GR5	4	25	747-3417B	Rod, Hydro Dump Valve	1
9	710-1888	Scrw, Hx Hd Tapp, 5/16-18 x 5.25	4	26	748-3093	Adapter, Hydro Pump	1
10	710-3008	Screw, Hex Cap, 5/16-18 x .75 GR5	4	27	750-3349	Spacer, Hydro, .323 x .443 3.51	2
11	710-04743	Screw, Hex Patch, 1/4-20 x 2.5 Gr5	4	28	750-3350	Spacer, Hydro, .323 x .600 x .74	2
12	712-04063	Nut, Hex Lock, 5/16-18	4	29	KH-24-086-17-S	Screw, Hex Patch, M10-1.5x 90mm	2
13	912-3058	Nut, Hex Nylon Lock, 1/2-20 GR2	4	30	914-0104	Internal Cotter Pin	1
14	712-3059	Nut, Hex Top Lock Jam, 1/2-20	1	31	731-3297	Fan, Pump	1
15	918-04610	Shaft, Drive, 29.75 Lg	1	32	718-04428	Adapter, Drive Shaft	1
16	719-3096	Adapter, Engine	1	33	703-06936-0637	Rim Reinforcement Plate	1
17	721-0519	Seal, Gland	1				

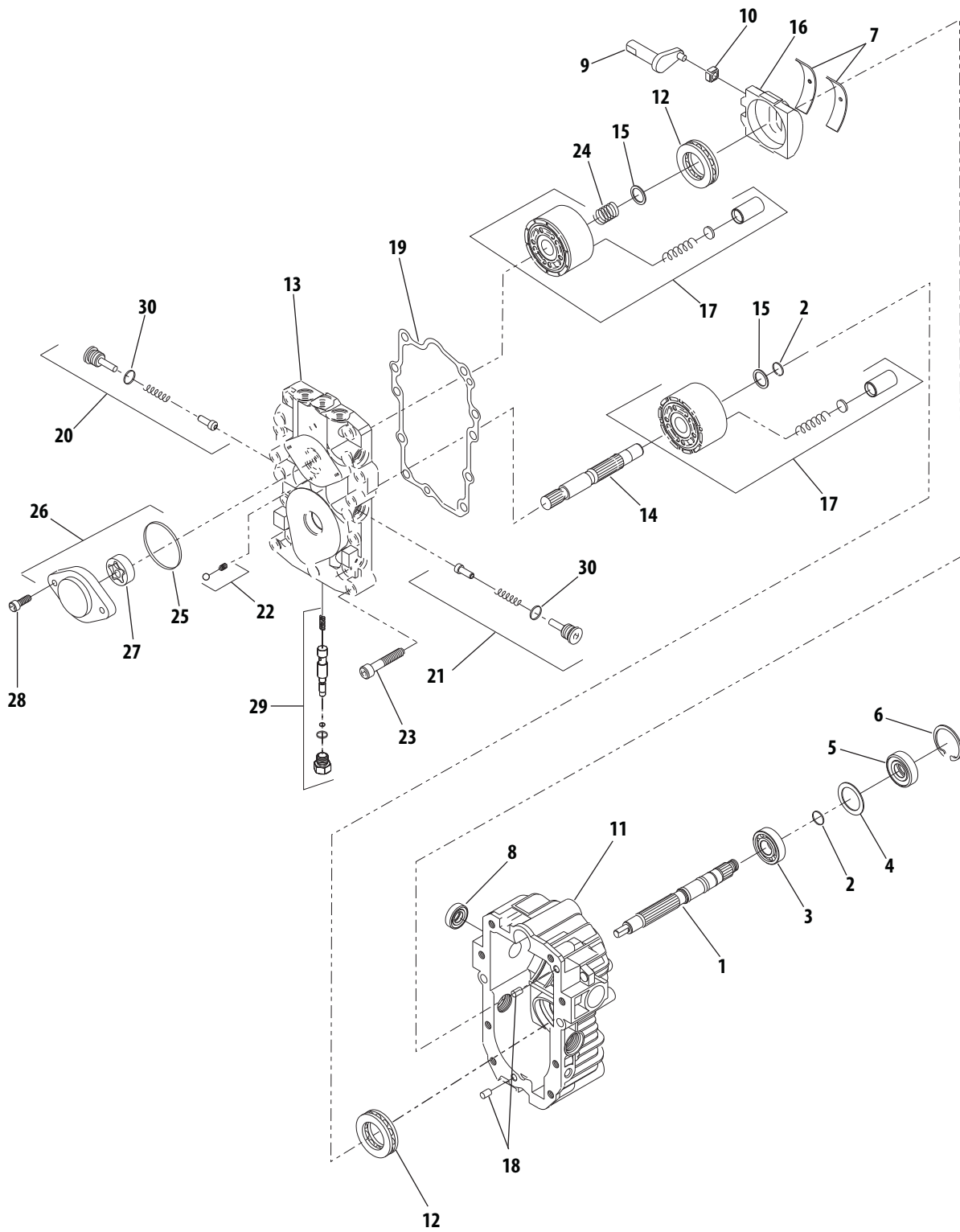
Hydro Transmission



Hydro Transmission

REF. NO.	PART NUMBER	DESCRIPTION	QTY.	REF. NO.	PART NUMBER	DESCRIPTION	QTY.
	918-04176	Transmission Assembly, Hydro — Does not include Ref Nos. 1, 12 & 42	1	23	721-0523	Seal, Oil, 1.0 x 2.047 x .2755	3
1	918-04317	Hub Ass'y, Wheel	2	24	926-0324	Clamp, Hose	1
2	919-3071A	Housing, RH Transmission	1	25	731-1480	Vent, Plastic	1
3	619-3072	Housing, LH Transmission	1	26	731-1481	Cap, Plastic Vent	1
4	710-0573	Screw, Hex Cap Lock, 5/16-18 x 1.25 GR5	14	27	732-0925	Spring, Torsion	1
5	710-1206	Screw, Hex Wash Hd. Tapp, 1/4-20 x 2.375	2	28	735-0277A	Grommet, Rubber, .75 x 1.063	1
6	710-1633	Screw, Plug, M14 x 1.5 x .827	1	29	735-0279	Grommet, Rubber, .362 x .56	1
7	710-3144	Screw, Hex Cap Lock, 3/8-16 x 2.0 GR5	6	30	736-0371	Washer, Flat, .343 x .88 x .062	1
8	711-1052A	Shaft, Cross, .50 x 3.005	2	31	736-0615	Washer, Thrust, 1.007 x 1.542 x .03	1
9	711-1385A	Shaft, Output, 9T	1	32	737-3092	Fitting, Tube	1
10	911-04233	Shaft, Axle	2	33	941-0343	Pin, Brake Actuating	2
11	912-0273	Nut, Hex Nylon Lock, 5/16-24	1	34	741-3114	Bearing, Ball (6205-1)	6
12	710-3119	Screw, Hex Cap Lock, 3/8-16 x .75 GR5	2	35	750-3346	Spacer, Axle, 1.007 x 1.665 x .141	1
13	716-04032	Ring, Retaining	4	36	750-3358	Spacer, Axle, 1.007 x 1.665 x .989	1
14	716-0204	Ring, Retaining	2	37	751-0588-8	Tube, Transmission Breather	1
15	917-0678	Pad, Brake	2	38	761-0207A	Yoke, Brake	1
16	917-0682	Plate, Puck	1	39	761-0208	Bracket, Brake Anti Rotation	1
17	917-1446B	Gear, Miter, 10T	4	40	761-0215	Disc, Brake	1
18	917-04102	Gear, Miter, 14T	2	41	761-3074	Arm, Brake Actuator	1
19	917-1568A	Gear, Differential Spur, 60T	1	42	936-0227	Washer, Flat, .39 x 1.5 x .134	2
20	717-3449	Gear, Bevel, 54T	1		759-3958	Sealant, Loctite Black, 5.3 oz. Tube	1
21	919-0375A	Housing, Differential w/Thru Holes	2		737-3120	Drive System Fluid Plus - Quart	5.5
22	912-3020	Nut, Hex Insert Jam GR5, 3/8-16	4		737-3121	Drive System Fluid Plus - Gallon	AR

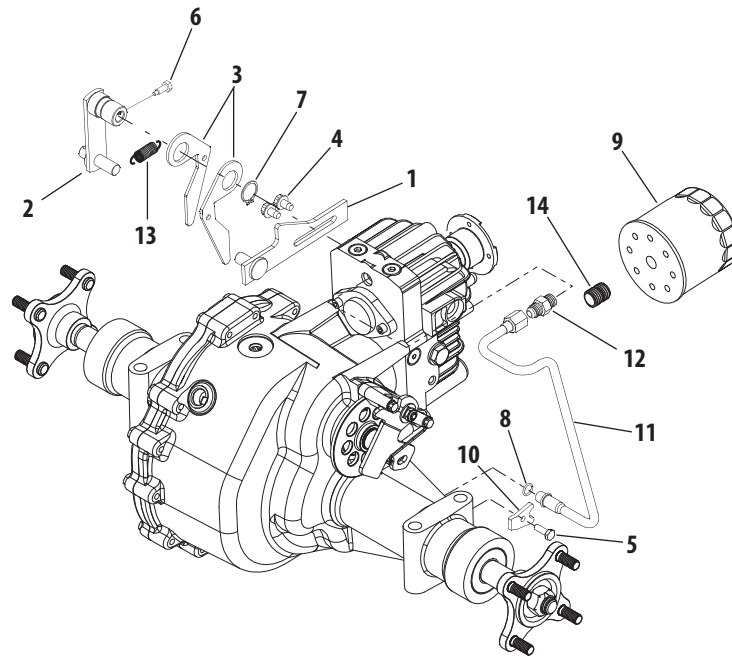
Hydrostatic Pump



Hydrostatic Pump

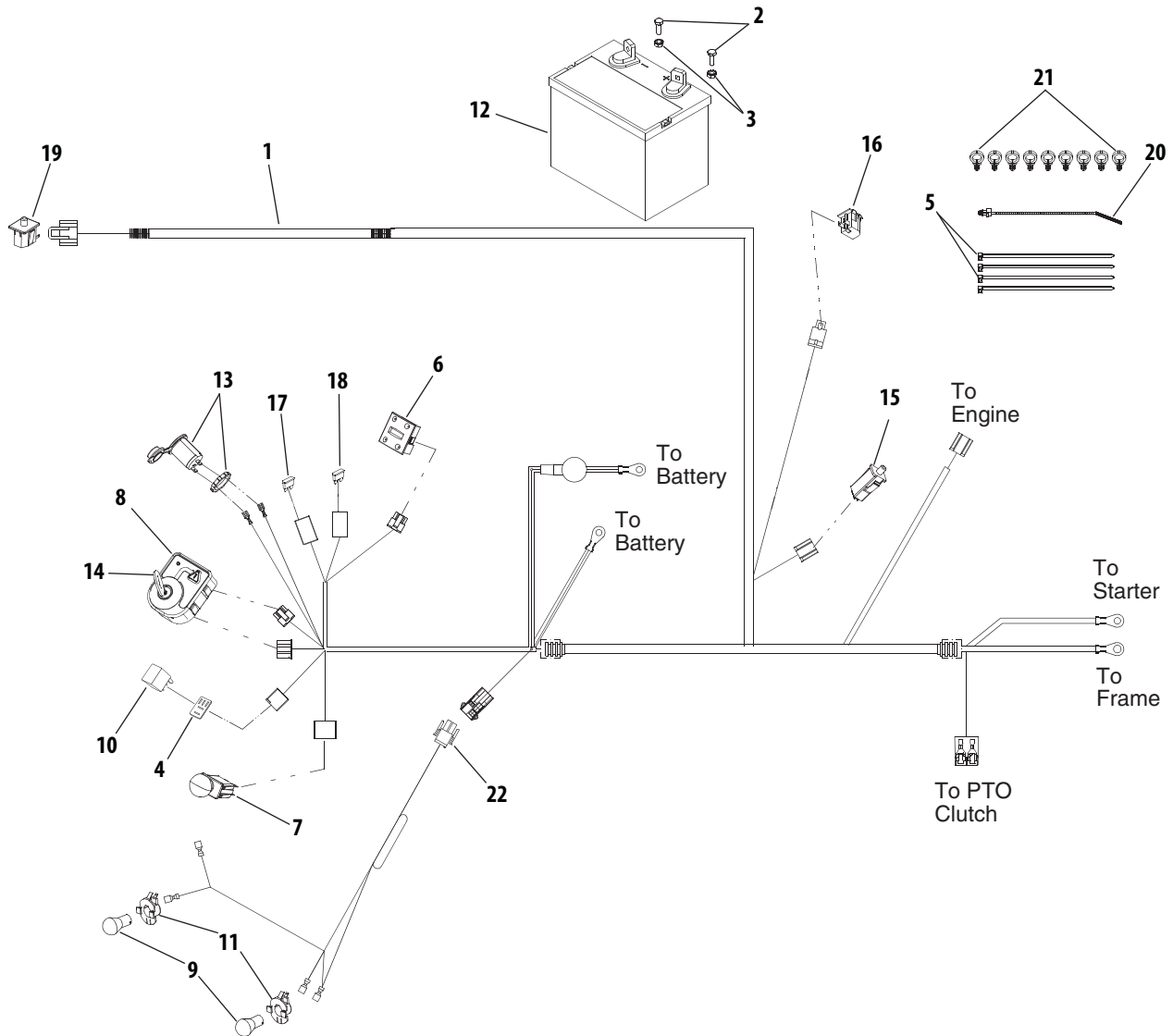
REF. NO.	PART NUMBER	DESCRIPTION	QTY.
1	HG-50158	Shaft, Pump (Splined)	1
2	HG-2003016	Ring, Retaining	2
3	HG-2003043P	Bearing, Ball	1
4	HG-2003018	Spacer	1
5	HG-9008000-0128	Seal, Lip	1
6	HG-2003052	Ring, Retaining	1
7	HG-52619	Bearing, Cradle	2
8	HG-9008000-0126	Seal, Lip	1
9	HG-2003005	Arm, Trunnion	1
10	HG-2000015	Guide, Slot	1
11	HG-2513036	Housing Kit	1
12	HG-50551P	Bearing Assembly, Thrust Ball	2
13	HG-70444	Center Section Kit	1
	HG-9005110-5600	Plug w/O-Ring	2
14	HG-2003034	Shaft, Motor	1
15	HG-2003017	Washer, Block Thrust	2
16	HG-2003087	Swash Plate	1
17	HG-70331	Block Assembly	2
18	HG-9004800-2506	Pin	2
19	HG-2003060	Gasket, Center Section	1
20	HG-2510027	Kit, Check Valve	1
21	HG-2510034	Kit, Orificed Check Valve	1
22	HG-2510011	Kit, Charge Relief Valve	1
23	HG-9007314-0808	Screw, Socket Hd	8
24	HG-2003014	Spring, Block	1
25	HG-9004101-1340	O-Ring	1
26	HG-2513027	Kit, Charge Pump	1
27	HG-50273	Gerotor Assy	1
28	HG-50095	Screw, Socket Hd	2
29	HG-2513011	Bypass Valve Kit	1
30	HG-9004201-3700	O-Ring	3

Neutral Linkage & Hydraulic Tube



REF. NO.	PART NUMBER	DESCRIPTION	QTY.
1	603-0732	Bracket, Neutral Return	1
2	603-04340	Arm Assembly, Control	1
3	703-2441	Arm, Neutral	2
4	710-0607	Screw, Hex Wash Hd Tapp, 5/16-18 x .50	2
5	710-3015	Screw, Hex Cap, 1/4-20 x .75 GR5	1
6	710-04171	Screw, Special Hex Cap, 5/16-24 x .625	1
7	716-0111	Ring, Snap, .875 Shaft	1
8	721-0459	O-Ring, .426 ID x .566 OD x .07	1
9	923-3014	Filter, Oil	1
10	726-0295	Clamp, Tube, .50	1
11	727-0636	Tube, Hydro Pickup	1
12	927-3002	Fitting, Hydraulic	1
13	732-3119A	Spring, Extension	1
14	937-3022	Nipple, Oil Filter	1

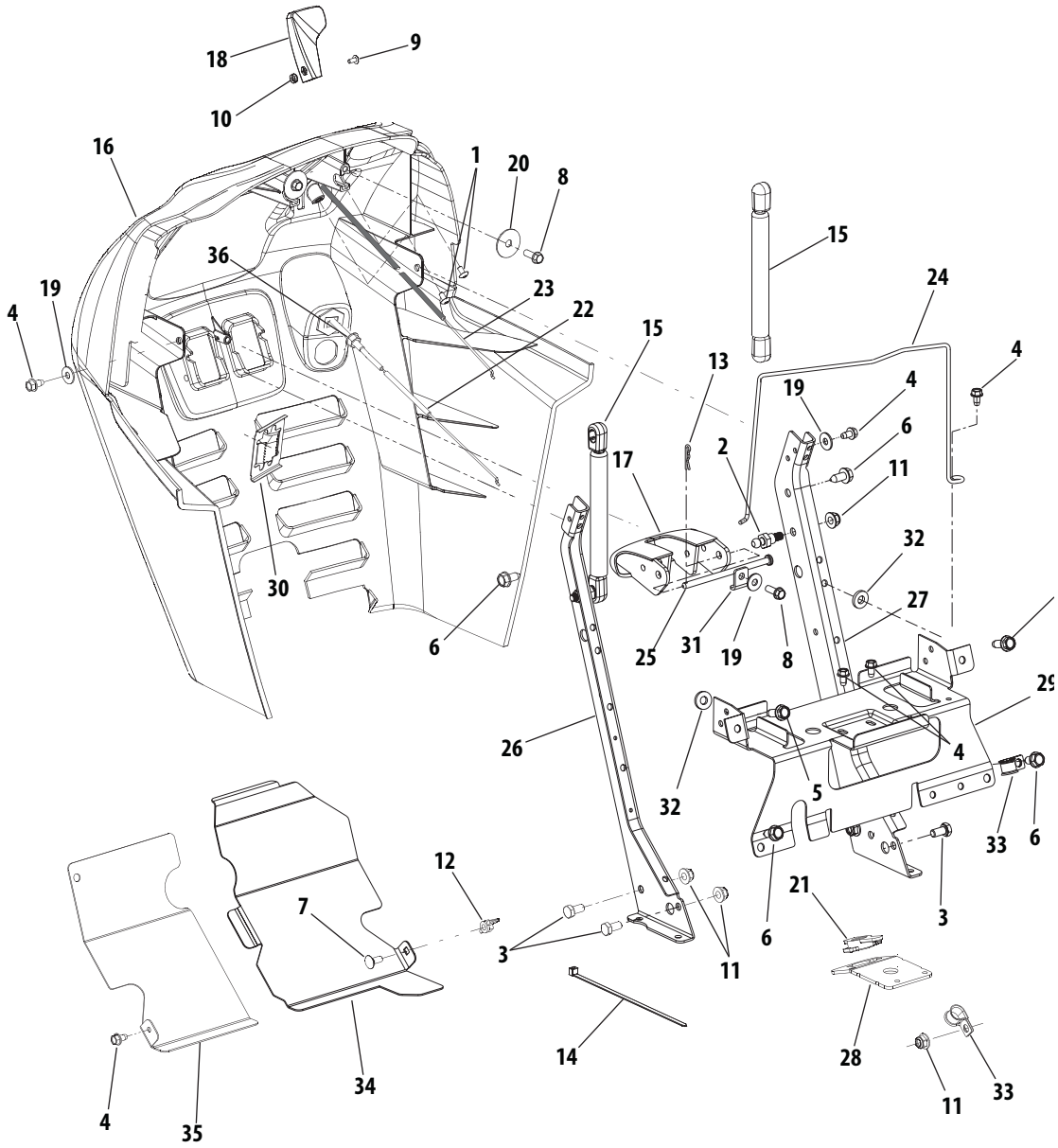
Battery, Electrical Components and Switches



REF. NO.	PART NUMBER	DESCRIPTION	QTY.
1	929-04158A	Wire Harness, Main	1
2	710-3015	Screw, Hex, 1/4-20 x .75 GR5	2
3	712-0271	Sems Nut	2
4	921-0342	Gasket, Silicone	1
5	725-0157	Tie, Self-Clinch Cable	4
6	925-04022B	Meter, Indicator / Hour	1
7	925-04175	Switch, PTO	1
8	925-04227B	Switch, Key/Module	1
9	925-0963	Lamp, Head Light	2
10	925-1648	Relay	1
11	925-1649	Socket, Light, 1/4 Turn	2

REF. NO.	PART NUMBER	DESCRIPTION	QTY.
12	925-1707D	Battery	1
13	725-2003	Receptacle, Power 12V	1
14	925-2054A	Key, Ignition	2
15	925-3164A	Switch, Interlock (Brake)	1
16	925-3167	Switch, Snap Mount (Reverse)	1
17	725-3243	Fuse, 25 Amp	2
18	725-04008	Fuse, 5 Amp	1
19	925-04040	Switch, Seat	1
20	926-0154	Tie, Pushmount	9
21	726-3055	Clip, Cable	9
22	629-04142A	Harness, Head Light	1

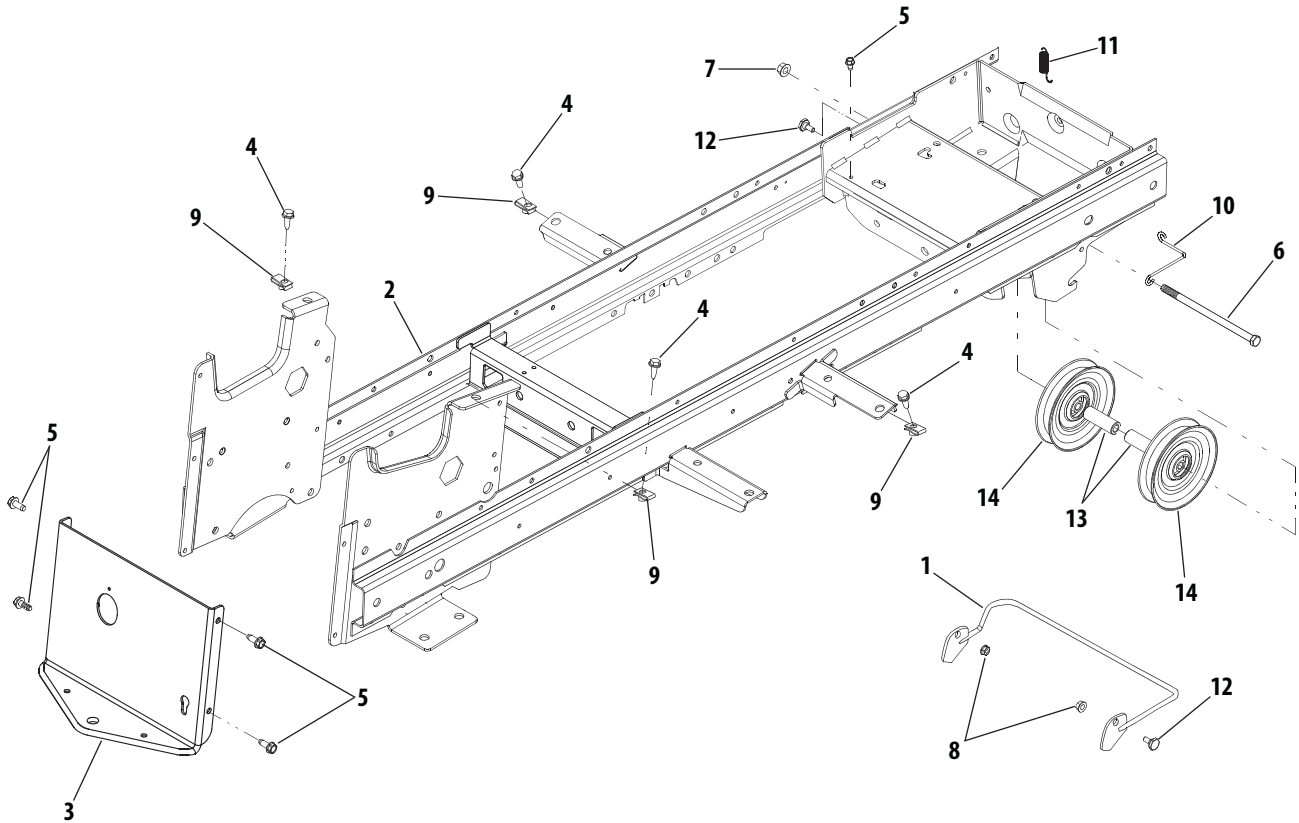
Dash Panel & Engine Controls



Dash Panel & Engine Controls

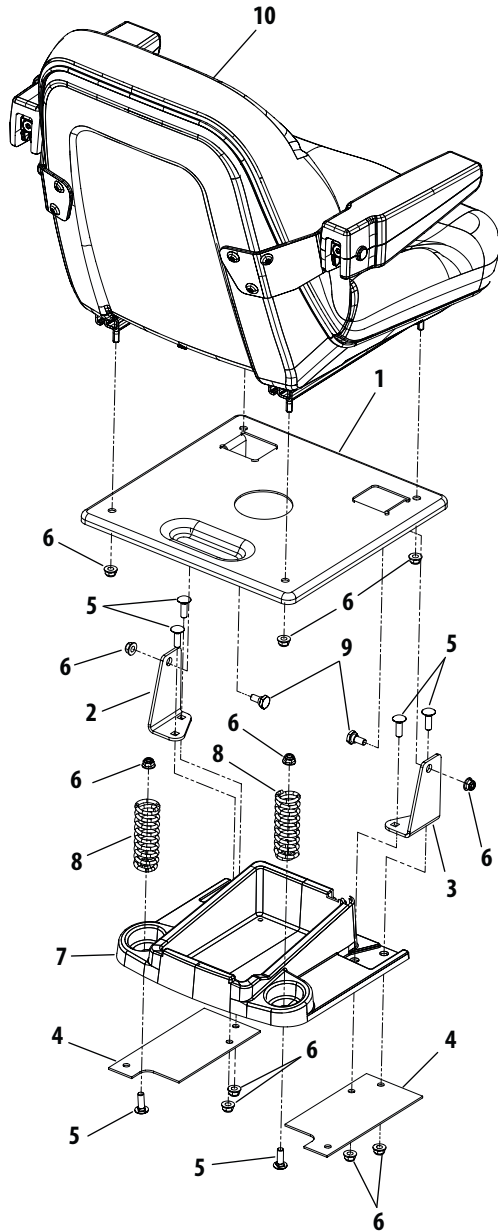
REF. NO.	PART NUMBER	DESCRIPTION	QTY.
1	710-0192	Screw, #10-24 x .375	2
2	710-04471	Screw, Ball Shoulder. 5/16-18 x .48	2
3	710-3025	Screw, Hex Cap, 5/16-18 x .625 GR5	4
4	710-0599	Screw, Self-tapping, 1/4-20, 0.500	6
5	710-0650	Screw, Hx. Wash. Hd, Tapp. 5/16-18 x .875	2
6	710-0726	Screw, Hx. Wash. Hd, Tapp, 5/16-12 x .75	6
7	710-0134	Screw, Carriage, 1/4 -20 x .62	1
8	710-0895	Screw, 1/4-15, 0.75	2
9	710-3217	Screw, Truss Mach., #8-32 x .375	1
10	712-0142	Nut, Hex, #8-32 GrA	1
11	712-04063	Nut, Hx Insert Flange Lck, 5/16-18 GrF	6
12	712-3087	Nut, Wing, 1/4-20	1
13	914-0104	Internal Cotter Pin, .072 x 1.13	1
14	725-0157	Tie, Cable	1
15	727-04142	Cylinder, Gas	2
16	731-05354A	Dash	1
	777 I 22459	Graphic, Dash Insert	1
	977I22280	Graphic, Throttle	1
17	731-05447	Lever, Dash, Cruise	1
18	931-3161A	Knob, Throttle Control	1
19	736-0173	Washer, Flat, .28 x .74 x .063	3
20	736-0362	Washer, Flat, .33 x 1.25 x .06 HT	2
21	731-05659	Bushing, Steering Shaft	1
22	746-04277	Cable, Choke	1
23	746-1100	Cable, Throttle Control	1
24	747-04215-0637	Strap, Battery	1
25	747-1323A	Rod, .25 x 4.55	1
26	783-04285F-0637	Plate, Dash Support RH	1
27	783-04323F-0637	Plate, Dash Support, LH	1
28	783-05240A-0637	Bracket, Steering Support	1
29	783-05469-0637	Bracket, Battery Support	1
30	783-0462	Bracket, PTO Switch Retainer	1
31	783-1499-0637	Bracket, Rod, Dash	1
32	936-3008	Washer, Flat, .344 x .75 x .12	6
33	726-0272	Clamp, 9/16	2
34	703-06668-0637	Shield, Engine, LH	1
	777S32728	Graphic, Steering Box Access Panel	1
35	703-05884-0637	Shield, Engine, RH	1
36	912-3005	Nut, Flange Lock, 3/8-16 Gr5	1

Frame and Drawbar



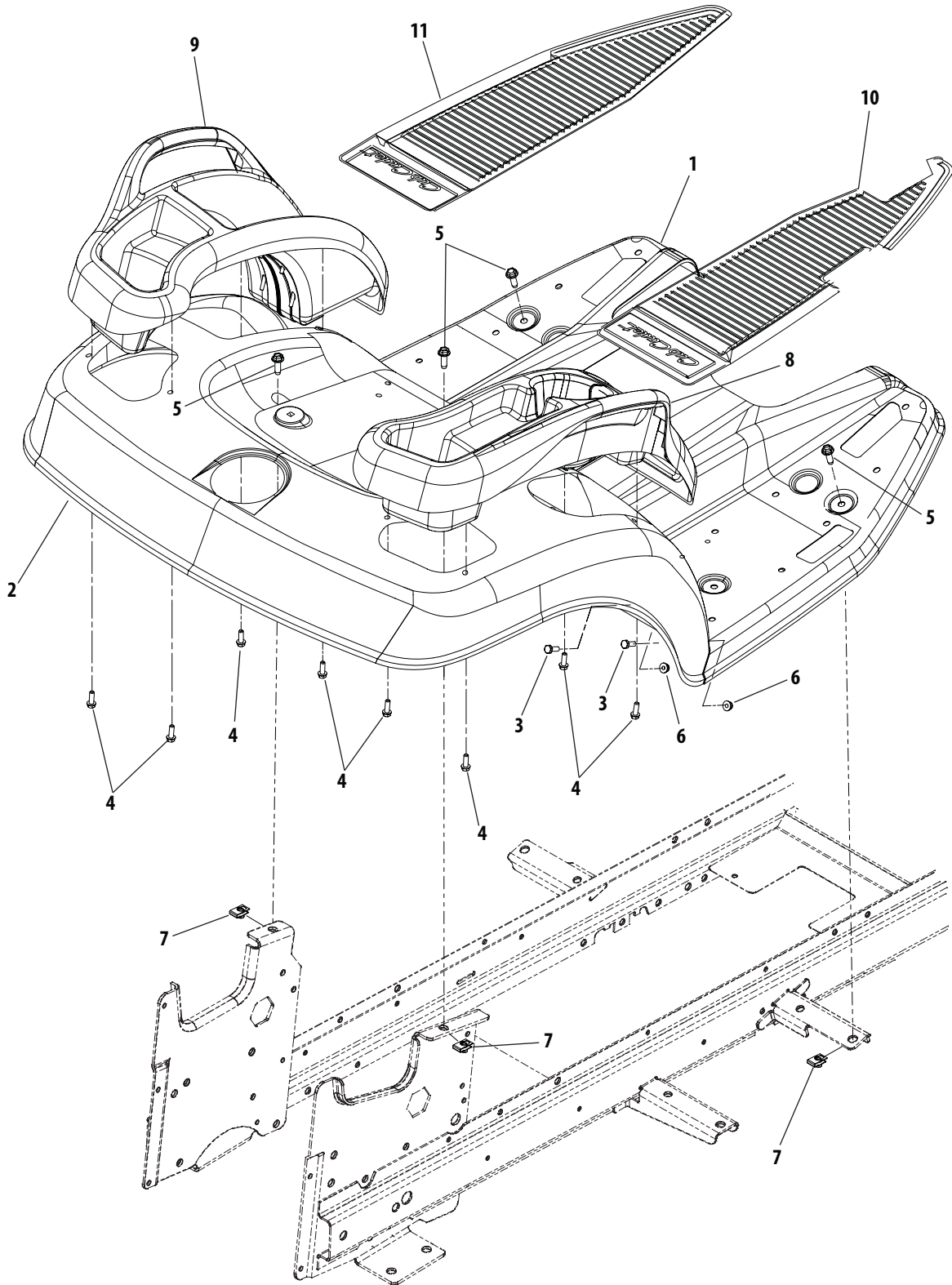
REF. NO.	PART NUMBER	DESCRIPTION	QTY.
1	603-04250-0637	Rod, Quick Attach	1
2	603-04349-0637	Frame	1
3	703-3453-4021	Drawbar	1
	777122785	Graphic, Transmission Release Lever	1
	777530265	Graphic, Transmission Oil	1
4	710-0602	Screw, Hex Wsh Hd Tapp 5/16-18 x 1.0	4
5	710-1260A	Screw, Hex Wsh Hd Tap 5/16-18 x .75	4
6	710-3261	Screw, Hex Cap, 3/8-16 x 7.0	1
7	712-04065	Nut, Hex Flange Lock, 3/8-16	1
8	712-04064	Nut, Hex Flange Lock, 1/4-20	2
9	926-0211	U-Nut, 5/16-18	6
10	932-0970	Belt Guide	1
11	932-3002	Spring, Latch	1
12	938-0255	Bolt, Shoulder	2
13	750-04198	Spacer, Idler, .411 x .720 x 3.67	2
14	956-3045	Pulley, Idler	2

Seat and Support



REF. NO.	PART NUMBER	DESCRIPTION	QTY.
1	703-05861A-4021 777120310	Seat, Base Graphic, Seat Adjuster	1 1
2	703-05877-4021	Bracket, LH Seat Pivot	1
3	703-05878-4021	Bracket, RH Seat Pivot	1
4	703-2628-4021	Bracket, Fender Reinforcement	2
5	710-0276	Bolt, Carriage, 5/16-18 x 1.0	6
6	712-04063	Nut, Hx Insert Flnge Lck, 5/16-18 GrF	12
7	731-3162A	Tray, Tool	1
8	732-04352	Spring, Compression	2
9	938-0140	Bolt, Shoulder	2
10	757-04042	Seat, High Back w/Arm Rests	1

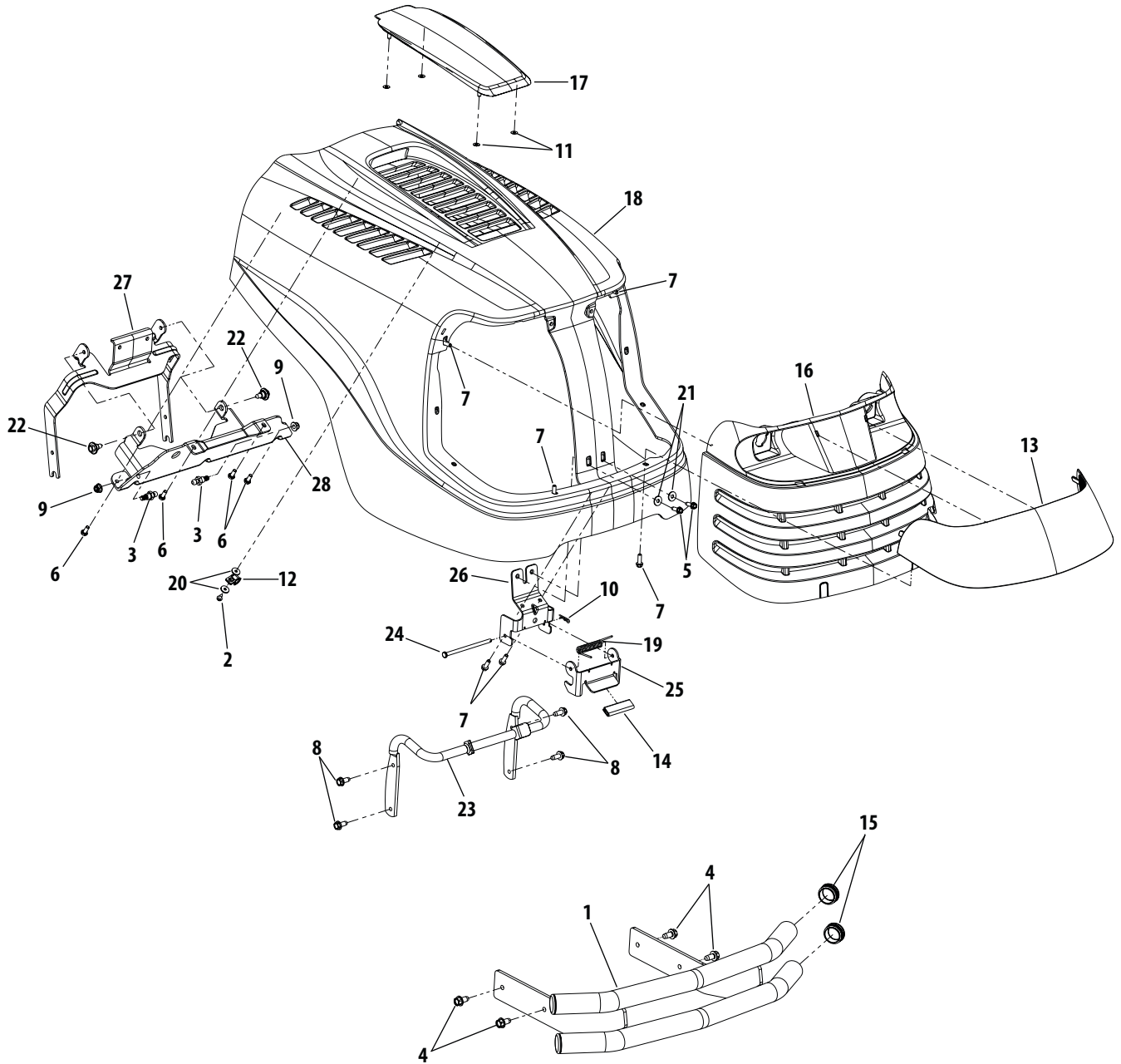
Fender and Running Board



Fender and Running Board

REF. NO.	PART NUMBER	DESCRIPTION	QTY.
1	703-05821-4021	Running Board w/Graphic	1
	777S30170	Graphic, Warning	1
	777S32494	Graphic, Danger	1
	777I22604	Graphic, Maintenance	1
	777D12237	Graphic, Shaft Drive	1
2	903-05860-4021	Fender	1
	777D10279	Graphic, Cub Cadet	1
3	710-3015	Screw, Hex Cap, 1/4-20 x .75 GR5	6
4	710-0895	Screw, 1/4-15 x.750	8
5	710-0602	Screw, Hex Wash Hd Tapp 5/16-18 x 1.0	4
6	712-04064	Nut, Hex Flange Lock, 1/4-20	6
7	926-0211	U-Nut, 5/16-18	4
8	931-05488	Cover, Fender RH	1
9	931-04206A	Cover, Fender LH	1
10	735-3046A	Pad, RH Foot	1
11	735-3047	Pad, LH Foot	1

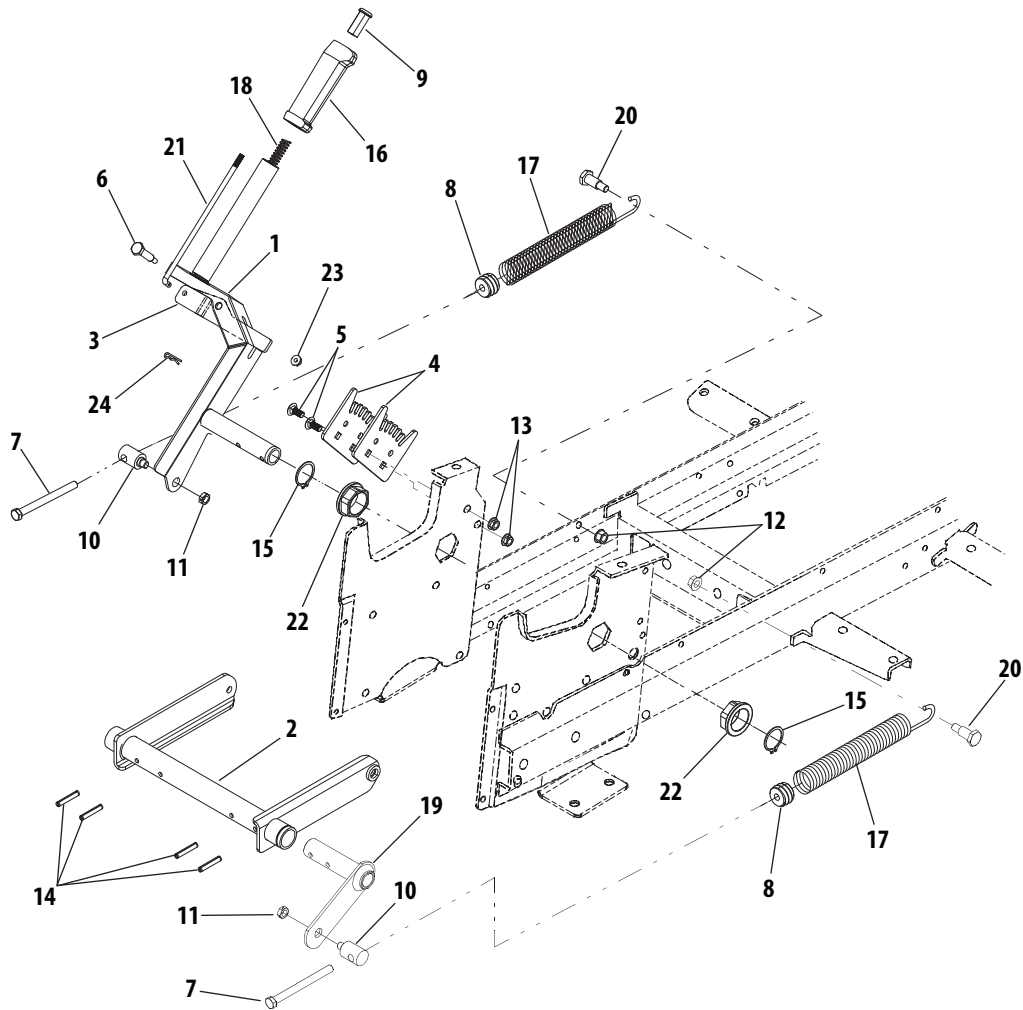
Hood, Grill and Bumper



Hood, Grill and Bumper

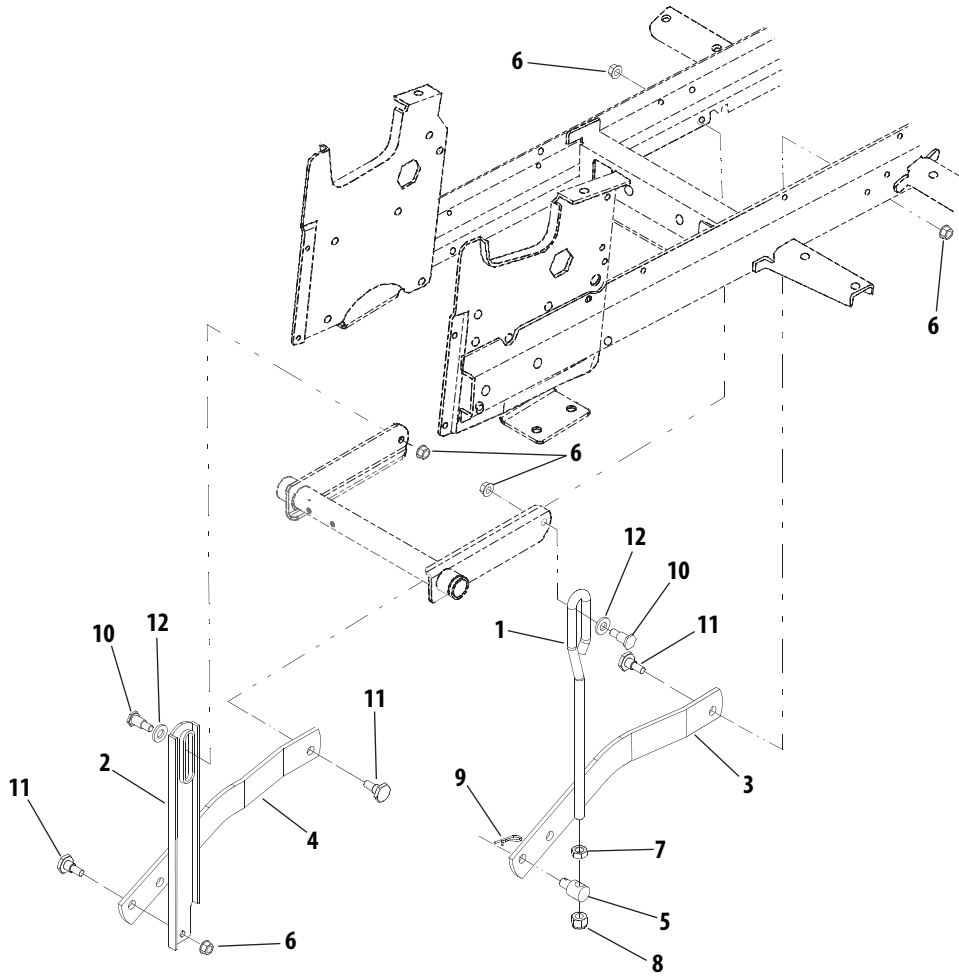
REF. NO.	PART NUMBER	DESCRIPTION	QTY.
1	603-04343-0637	Bumper	1
2	910-0224	Screw, Hx Wash, Hd. AB, 10-16 x .5	1
3	710-04471	Screw, Ball Shoulder, 5/16-18 x.56	2
4	710-0623	Screw, Hx Washer Hd Tapp, 3/8-16 x.750	4
5	710-0642	Screw, Hx Washer Hd Tapp, 1/4-20 x .750	2
6	710-1242	Screw, Hex Cap, 5/16-14 x .75 Gr5	4
7	710-0895	Screw, 1/4-15 x.750	6
8	710-1260A	Screw, Hx Washer Hd Tapp, 5/16- 18 x.750	4
9	712-04063	Nut, Flange Lock, 5/16-18 GR5	2
10	914-0104	Pin, Cotter,.072 Dia. x 1.13	1
11	726-0233	Nut, Push, .25 ID x .50 OD	4
12	726-0272	Clamp, 9/16	1
13	931-05111	Lens	1
14	731-05291	Trim Strip, Vinyl, 2.5 Long	1
15	731-05368	Cap, Bumper	4
16	931-05510	Grill	1
	777X42027	Reflector, Headlight	1
17	931-06010	Cover, Hood	1
18	931-06887	Hood	1
	777D09638	Graphic, Cub Cadet RH	1
	777D09639	Graphic, Cub Cadet LH	1
	777D12242	Graphic, GT2544 LH	1
	777D12243	Graphic, GT2544 RH	1
19	732-04281A	Latch Spring	1
20	936-0400	Washer, Flat, .194 x .62 x .063	2
21	736-3090	Washer, Flat, .26 x .72 x .06	2
22	738-04091A	Screw, Shoulder, .43 x .29;TT:5/16-18	2
23	747-04423A	Hood Latch Rod	1
24	747-1323A	Rod,.250 Dia. x 4.55	1
25	783-04717A	Latch Pivot Bracket	1
26	783-04848	Latch Plate	1
27	783-05028-0637	Hood Pivot Bracket	1
28	783-05029A-0637	Pivot Bracket	1

Implement Lift Handle



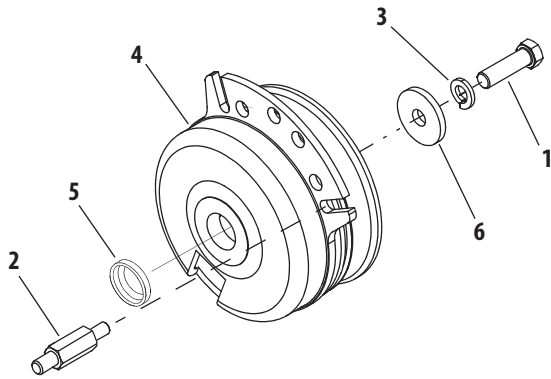
REF. NO.	PART NUMBER	DESCRIPTION	QTY.	REF. NO.	PART NUMBER	DESCRIPTION	QTY.
1	603-04141-0637	Handle Assembly, Lift	1	13	712-04063	Nut, Hex Flanged Top Lock, 5/16-18	2
2	603-04140A-0637	Shaft Assembly, Lift	1	14	915-0114	Pin, Spiral Spring, 1/4 Dia x 1.5	4
3	703-05247	Fork, Lift	1	15	716-0116	Ring, Snap, 1.25 Dia Shaft	2
4	703-2239A-0637	Bracket, Lift Index	2	16	731-3158	Grip, Lift Handle	1
5	710-0451	Bolt, Carriage, 5/16-18 x .75	2	17	732-3093	Spring, Extension	2
6	738-0560	Screw, Shoulder, .374 x 1.375	1	18	732-3097	Spring, Compression	1
7	710-3279	Screw, Hex Cap, 3/8-16 x 4.25 GR5	2	19	603-04139-0637	Arm, Lift Assist RH	1
8	711-0635	Insert, Spring	2	20	938-0145	Bolt, Shoulder	2
9	711-0642A	Button, Handle	1	21	747-3175A	Rod, Index	1
10	711-3350	Ferrule, Adjustment	2	22	948-3051	Bearing, Hex Flange, 1.25 ID	2
11	712-0262	Nut, Hex Center Lock, Jam, 3/8-24	2	23	712-04064	Nut, Hex Flange Lock, 1/4-20	1
12	712-0431	Nut, Hex Flanged Lock, 3/8-16	2	24	914-0104	Pin, Internal Cotter	1

Implement Lift Links



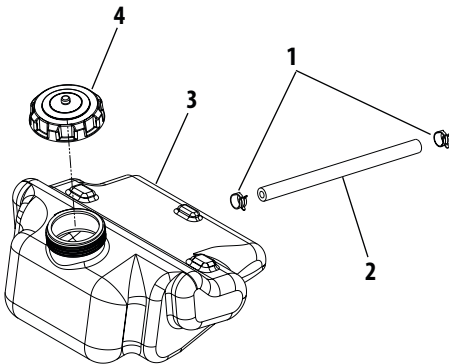
REF. NO.	PART NUMBER	DESCRIPTION	QTY.
1	747-04196	Rod, Lift Link	1
2	703-2234	Bracket, LH Hanger	1
3	703-2832-0637	Link, RH Lift	1
4	703-2833-0637	Link, LH Lift	1
5	911-3319	Ferrule, Adjustment	1
6	712-04065	Nut, Hex Flange Lock, 3/8-16	5
7	912-3048	Nut, Hex Jam, 1/2-13 GR5	1
8	712-3083	Nut, Hex Insert Lock, 1/2-13	1
9	914-0145	Pin, Internal Cotter	1
10	738-0430	Bolt, Shoulder	2
11	938-0507B	Bolt, Shoulder	3
12	936-0326	Washer, Flat, .51 x 1.0 x .125	2

PTO Pulley



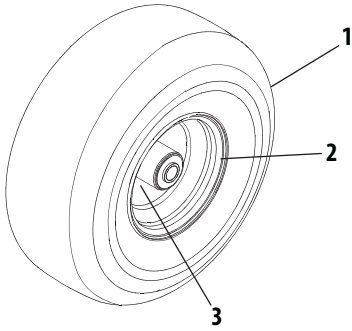
REF. NO.	PART NUMBER	DESCRIPTION	QTY.
1	710-0757	Screw, Hex Cap, 7/16-20 x 1.5 GR5	1
2	911-1083	Stud, Clutch Stop	1
3	936-0171	Washer, Lock, 3/8	1
4	917-04214	Clutch Assy, PTO	1
5	750-04602	Spacer, 1.0 x 1.62 x .21	1
6	736-3082A	Washer, Flat, .445 x 1.5 x 1.72 Hdn	1

Fuel Tank



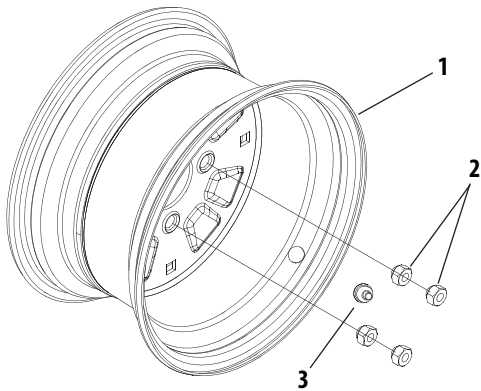
REF. NO.	PART NUMBER	DESCRIPTION	QTY.
1	726-0205	Clamp, Hose	2
2	751-10349-54	Line, Fuel, 51"	1
3	751-3112B	Tank, Fuel	1
4	951-3124E	Cap, Fuel	1

Front Wheel



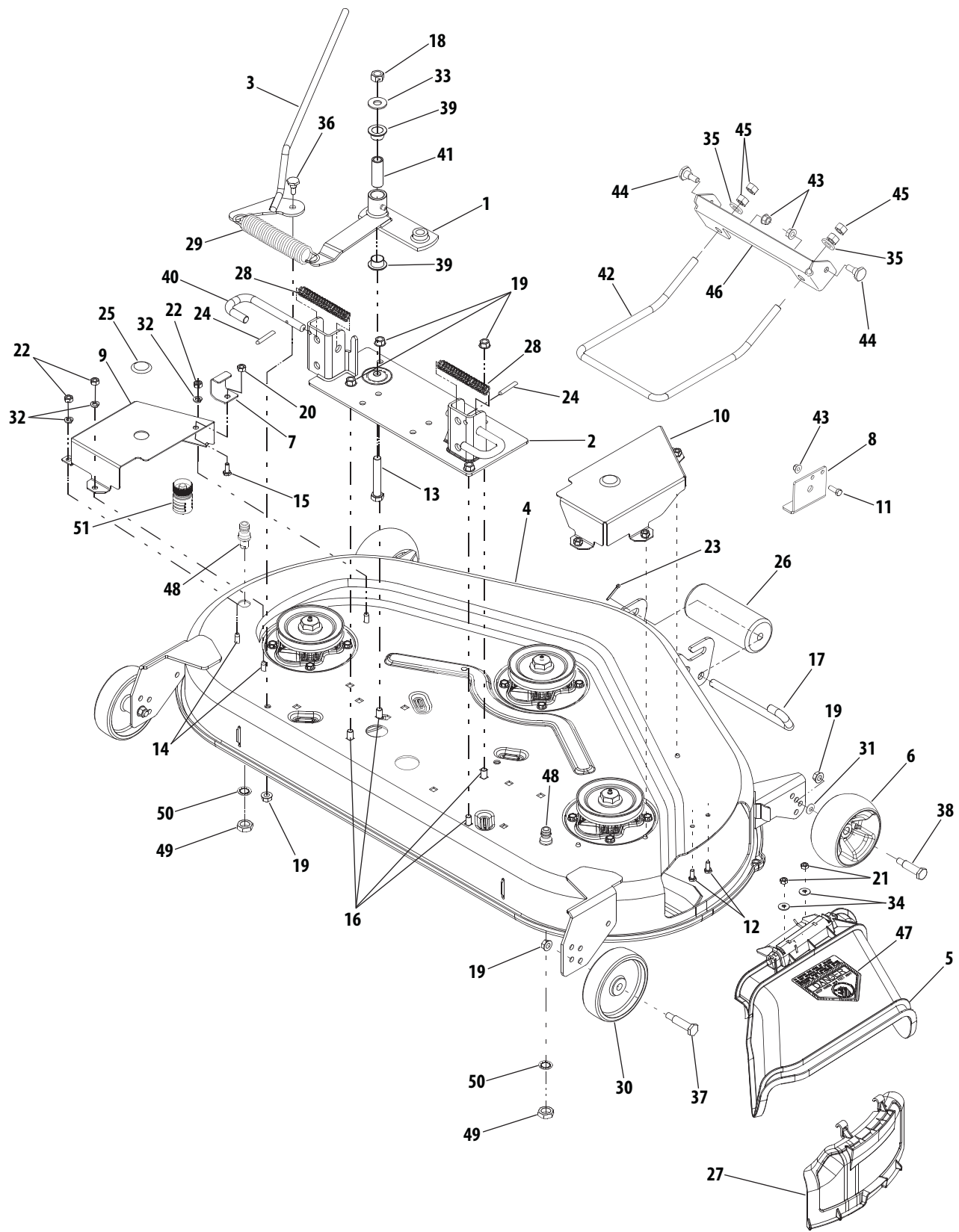
REF. NO.	PART NUMBER	DESCRIPTION	QTY.
1	734-3187A-0901	Tire, Cub Tread, 16 x 6.5 x 8	2
2	934-04090A-0499	Rim Assy, Front	2
	934-0255	Valve, Tubeless Air	2
	941-04137	Bearing, Ball	4
3	737-0224	Fitting, Grease (Not Seen)	4

Rear Wheel



REF. NO.	PART NUMBER	DESCRIPTION	QTY.
	734-3190A-0901	Tire, Cub Tread, 23 x 9.5 x 12	2
1	634-3189-0499	Rim Assy, Rear	2
2	712-3050	Nut, Lug, 7/16-14	8
3	934-0255	Valve, Tubeless Air	2

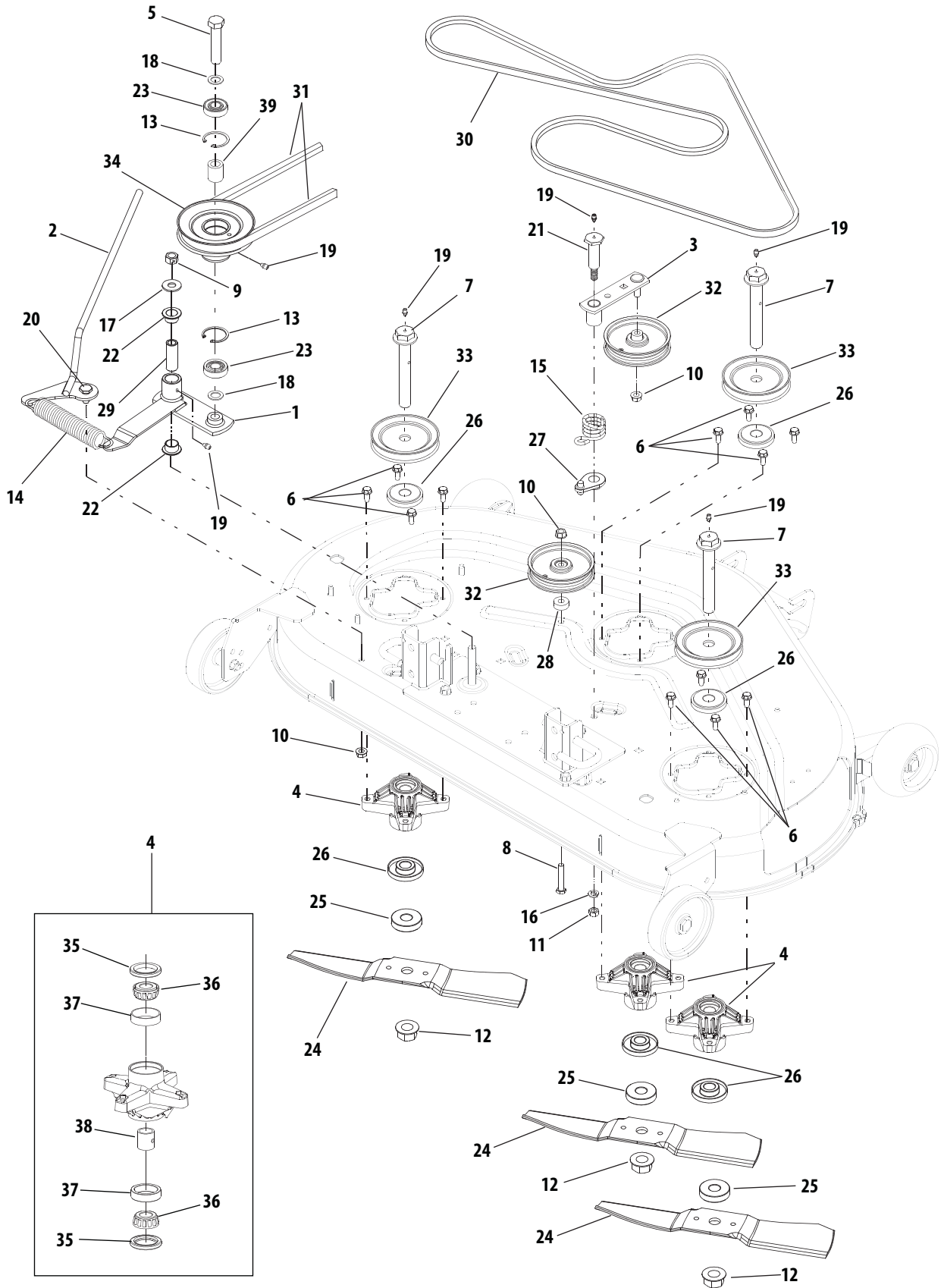
44" Mower Deck



44" Mower Deck

REF. NO.	PART NUMBER	DESCRIPTION	QTY.	REF. NO.	PART NUMBER	DESCRIPTION	QTY.
1	603-0857	Idler Assembly	1	23	914-0115	Pin, Cotter, 1/8 Dia x 1	1
2	603-0183A-4021	Plate Assy, Mounting	1	24	715-3003	Pin, Spiral Spring, 3/16 Dia x .75	2
3	603-04113-4021	Handle, Tension	2	25	726-3045	Button Plug	2
4	903-04269A-4021	Deck Housing Assembly	1	26	731-05679	Front Roller	1
	777S30014	Graphic, Warning	1	27	731-3316	Plug, Mulch	1
	777S30018	Graphic, Deck Safety	1	28	932-3127	Spring, Comp, .66 OD x 1.8	2
	777S30503	Graphic, Deck Safety	1	29	732-0861	Spring, Ext, .162 Dia x 1.25 OD	1
	777I20847	Graphic, Belt Routing	1	30	734-0973	Wheel, Deck, 5.0 x 1.38	2
	777D12241	Graphic, 44" Cut	1	31	736-0105	Washer, Belleville, .401 x .870 x .63	2
	777D10624	Graphic, Deck Wash	1	32	936-0119	Washer, Lock, 5/16	6
5	631-0094A	Chute Assembly	1	33	936-0179	Washer, Flat, 1/2 x 1.25 x .10	1
	911-0792	Pin, Hinge, .25 Dia x 6.75	1	34	736-0270	Washer, Bell, .265 x .75 x .062	2
	732-0602A	Spring, Torsion	1	35	736-3019	Washer, Flat, .531 x 1.062 x .134 HT	2
	703-3539	Bracket, Mounting	1	36	738-0143	Bolt, Shoulder, .498 Dia x .340	1
	926-0106	Cap, Speed	1	37	938-0373	Screw, Shoulder, 496 x 1.525:3/8-16	2
6	734-04155	Wheel, Deck Ball	2	38	938-3056	Bolt, Shoulder, .496 x 2.5 : 3/8-16	2
7	703-2559-4021	Bracket, Stop	1	39	741-0338	Bearing, Flange, 3/4 ID x .52 LG	2
8	703-05902-0637	Bracket, Up-Stop	1	40	747-3188	Pin, Mower Support	2
9	703-3742-4021	Belt Cover, LH	1	41	950-3136	Spacer, .5 OD x .75 x 2.07 Lg	1
10	703-3743-4021	Belt Cover, RH	1	42	747-3172C	Rod, Front Lift	1
11	710-0514	Screw, Hex Cap, 3/8-16 x 1.0 Gr5	1	43	712-04065	Nut, Flange Lock, 3/8-16 GrF	3
12	710-0751	Screw, Hex Cap, 1/4-20 x .62	2	44	938-0507B	Bolt, Shoulder, .50 Dia. x .494 Lg	2
13	710-1010	Screw, Hex Cap, 1/2-20 x 3.0	1	45	912-0206	Nut, Hex, 1/2-13 Gr5	2
14	710-1611B	Screw, Self Tap, 5/16-18 x .75	6	46	703-2248-0637	Bracket, Front Lift	1
15	710-3008	Screw, Hex Cap, 5/16-18 x .75	1	47	977S30145	Graphic, Danger	1
16	710-3178	Bolt, Carriage, 3/8-16 x .75 GR5	4	48	937-04003D	Nozzle, Deck Wash	2
17	911-3314	Pin, Roller, 1/2 Dia x 7.31	1	49	912-0641	Nut, Hex M16-1.5	2
18	912-0239	Nut, Hex Lock, 1/2-20	1	50	736-0225	Washer, Lock	2
19	912-0431	Nut, Flange Lock, 3/8-16	9	51	921-04041	Adapter, Water Nozzle	1
20	712-3004A	Nut, Flange Lock, 5/16-18	1				
21	712-3006	Nut, Hex, 1/4-20 GR5	2				
22	912-3010	Nut, Hex, 5/16-18, GR5	6				

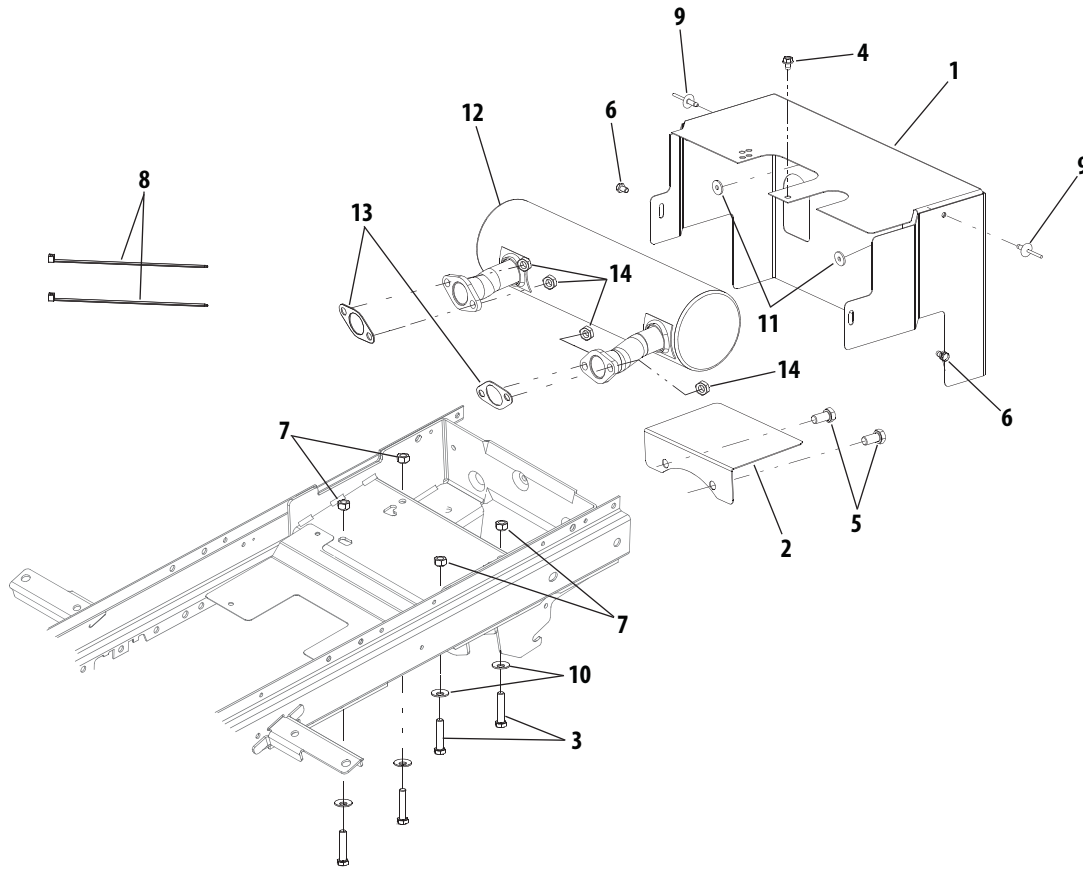
44" Deck Drive and Spindle Assembly



44" Deck Drive and Spindle Assembly

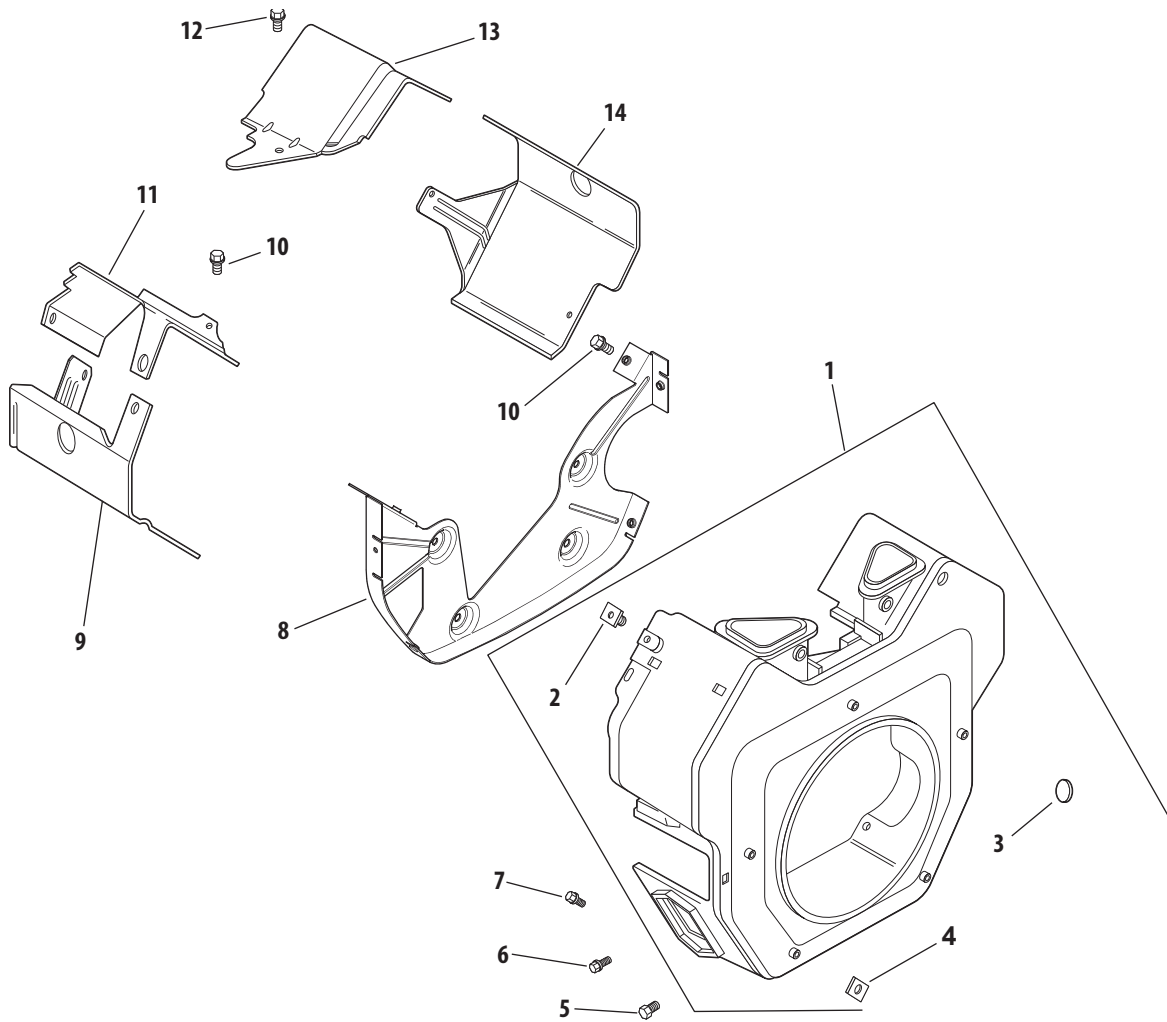
REF. NO.	PART NUMBER	DESCRIPTION	QTY.
1	603-0857	Idler Assembly	1
2	603-04113-4021	Handle, Tension	2
3	703-0118-4021	Idler Arm Assembly	1
4	918-3129C	Spindle Ass'y, Incl. Ref. Nos. 35 thru 38	3
5	710-0923	Screw, Hex Cap, 5/8-18 x 3.0	1
6	710-1260A	Screw, Hex Wash Ld, 5/16-18 x .75	12
7	710-1852	Bolt, Spindle, 3/4-16 x 5.37	3
8	710-3144	Screw, Hex Cap, 3/8-16 x 2.0 GR5	1
9	912-0239	Nut, Hex Lock, 1/2-20	1
10	912-0431	Nut, Flange Lock, 3/8-16	3
11	912-3019	Nut, Hex, 7/16-14, GR2	1
12	712-3078	Nut, Hex Flange, 3/4-16	3
13	916-3020	Snap Ring, Internal	2
14	732-0861	Spring, Ext, .162 Dia x 1.25 OD	1
15	732-3067	Torsion Spring, Idler, 1.10 ID x 1.3	1
16	936-0171	Washer, Lock, 7/16	1
17	936-0179	Washer, Flat, 1/2 x 1.25 x .10	1
18	736-0237	Washer, Flat, .65 x 1.25 x .075	2
19	937-3000	Fitting, Lube, 3/16 Drive	6
20	738-0143	Bolt, Shoulder, .498 Dia x .340	1
21	738-3172	Screw, Shldr, .68 x 2.11, 7/16-14	1
22	741-0338	Bearing, Flange, 3/4 ID x .52 LG	2
23	741-1122	Bearing, Ball	2
24	759-3939	Blade, Mower, 15.94	3
25	948-3020	Spacer, Blade	3
26	748-3065A	Spacer, Deck Spindle	6
27	748-3100	Retainer, Spring	1
28	750-3119	Spacer, .406 ID x 1.00 OD x .38	1
29	950-3136	Spacer, .5 OD x .75 x 2.07 Lg	1
30	954-3039	V-Belt, 1/2 x 103.0 Lg	1
31	954-04041	V-Belt, B sect x 111.2 Lg	1
32	756-04129B	Pulley, Idler, 4.25 Dia	2
33	756-3089	Pulley, V-Type, 4.0 Dia	3
34	756-3115	Pulley, Double	1
	937-3000	Fitting, Lube	1
35	921-3018A	Seal, Oil, 1.25 x 1.874 x .25	6
36	941-04089	Bearing, Cone	6
37	941-04091	Cup, Bearing	6
38	750-04409	Spacer, Bearing	2
39	950-3132	Spacer, .88 x .635 x 1.25	1

Engine Mounting and Muffler



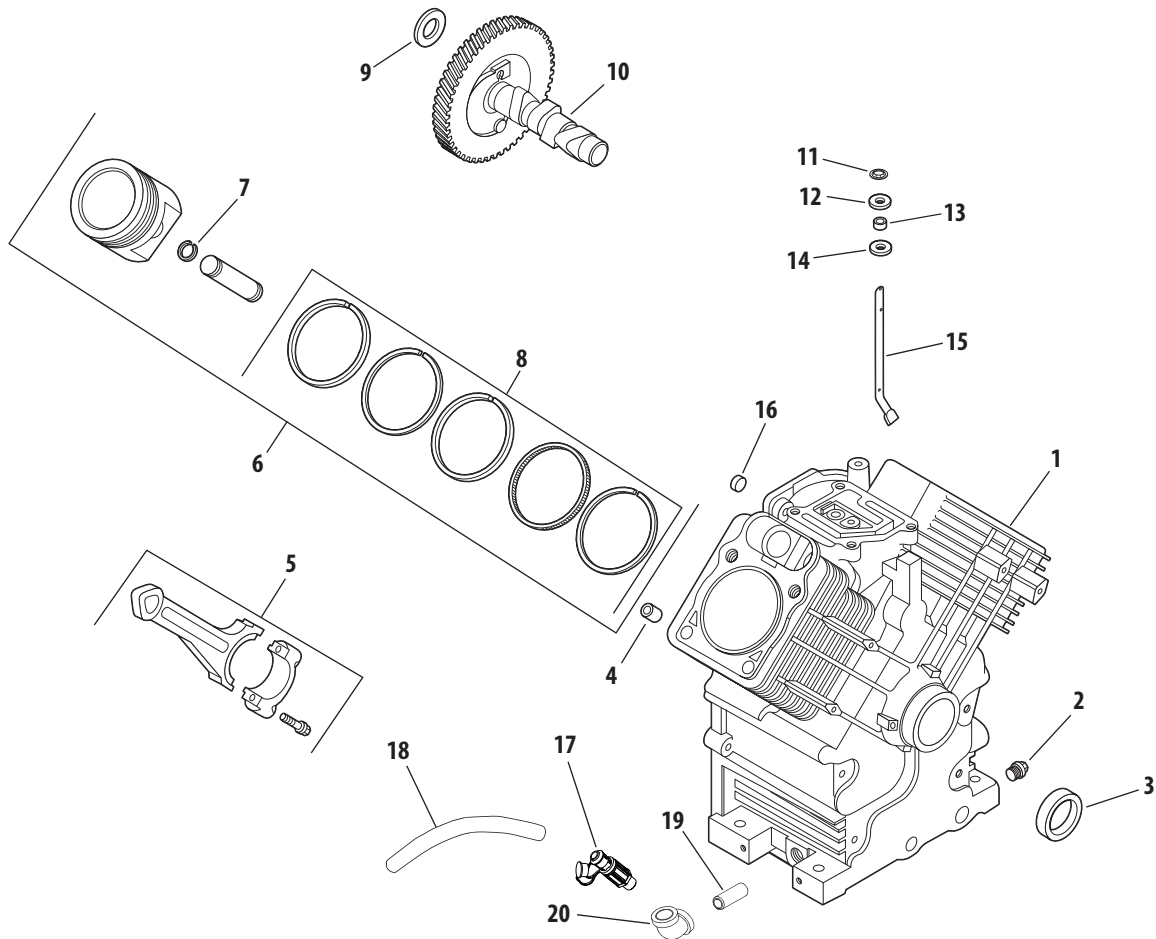
REF. NO.	PART NUMBER	DESCRIPTION	QTY.
1	703-05875C	Shield, Heat	1
2	703-05883	Shield, Clutch	1
3	710-0539	Bolt, Eng Mount, 3/8-24 x 1.75 GR5	4
4	710-0653	Screw, Hx Wsh Hd Tapp, 1/4-20 x .375	1
5	710-3119	Screw, Hx Cap Lock, 3/8-16 x .75 Gr5	2
6	710-3209	Screw, Hex Cap, M6 x 1 x 10	2
7	712-3054	Nut, Hex Lock, 3/8-24	4
8	725-0157	Tie, Cable	2
9	728-0177	Rivet, Pop, 3/16 x .45	2
10	736-0105	Washer, Bell, .380 x .88 x .062	4
11	936-0400	Washer, Flat, .194 x .62 x .063	2
12	751-10249A	Muffler Assembly	1
13	721-0377A	Gasket, Exhaust	2
14	712-3086	Nut, Hex Flange	4

Blower Housing and Baffles



REF. NO.	PART NUMBER	DESCRIPTION	QTY.
1	KH-24-027-175-S	Housing, Blower (Incl. Ref #2-4)	1
2	KH-24-100-02-S	Nut, Plastic	2
3	KH-25-139-16	Plug, Button, 9/16	1
4	KH-24-100-01	Nut, Plastic	3
5	KH-M-561016-S	Screw, Hex Flange, M5 x 0.8 x 16	1
6	KH-M-545016-S	Screw, Hex Flange, M5 x 0.8 x 16	3
7	KH-M-545020-S	Screw, Hex Flange, M5 x 0.8 x 20	4
8	KH-24-146-55-S	Plate, Backing	1
9	KH-24-063-88-S	Baffle, Cylinder Barrel - #2 Side	1
10	KH-M-645016-S	Screw, Hex Flange, M6 x 1.0 x 16	6
11	KH-24-063-70-S	Baffle, Valley - #2 Side	1
12	KH-M-0545010	Screw, Hex Flange, M5 x 0.8 x 10	2
13	KH-24-063-59-S	Baffle, Valley - #1 Side	1
14	KH-24-063-85-S	Baffle, Cylinder Barrel - #1 Side	1
Not Illustrated			
	KH-25-154-11-S	Clip, Speed Nut	1
	KH-41-037-10-S	Nameplate, Service	1

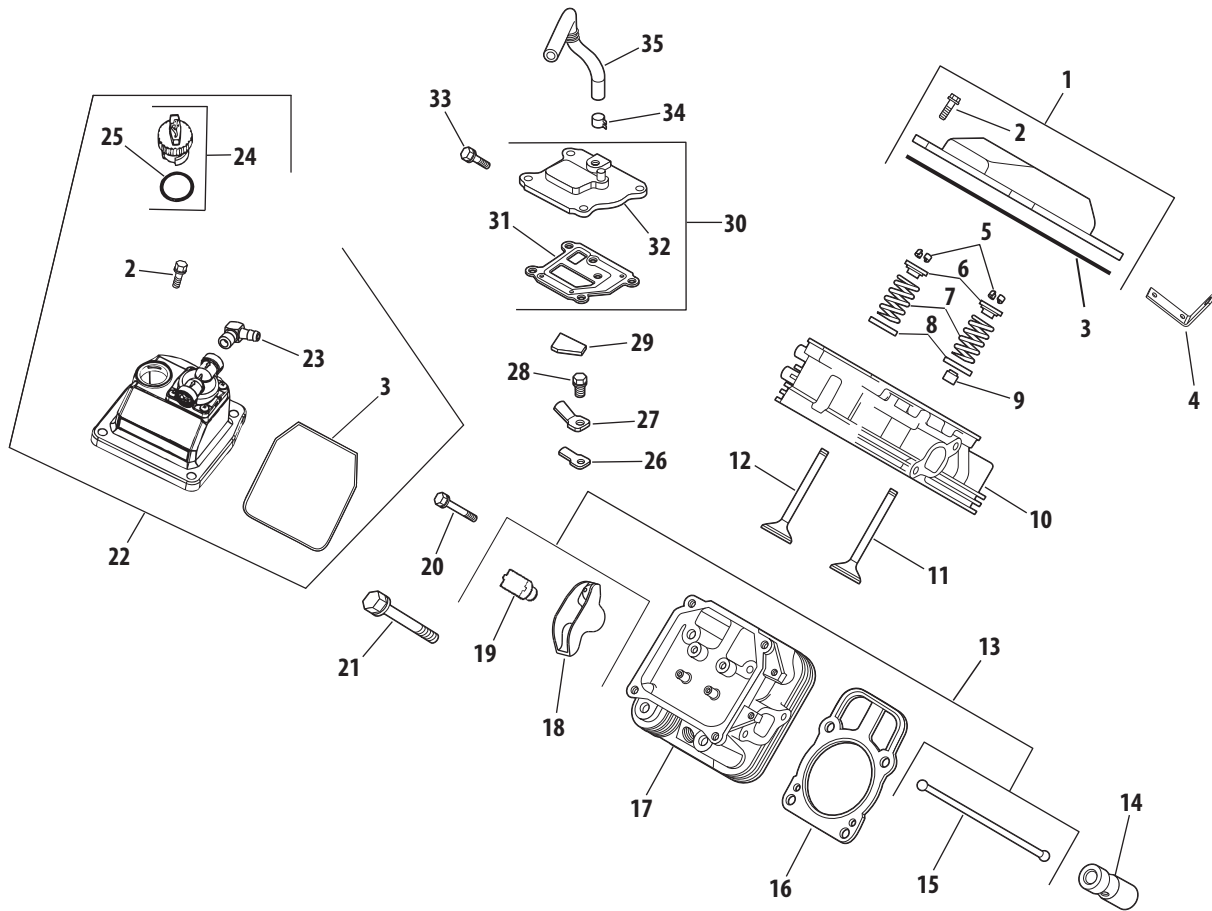
Crankcase



REF. NO.	PART NUMBER	DESCRIPTION	QTY.
	KH-CH670-0011	Complete Engine	1
	KH-24-522-422	Short Block	1
	KH-24-755-108-S	Gasket Set	1
1	KH-24-782-27	Crankcase, (Use Miniblock)	1
2	KH-25-139-57-S	Plug, Hex Hd, 3/8	2
3	KH-24-032-19-S	Seal, Front Oil	1
4	KH-24-380-16-S	Pin, Locating Dowel	6
5	KH-24-067-24-S	Rod, Connecting, Std	2
	KH-24-067-25-S	Rod, Connection, .010 / .25mm	2
6	KH-24-874-34-S	Piston w/Ring Set, Std	2
	KH-24-874-10	Piston w/Ring Set, .010 / .25mm	2
	KH-24-874-11	Piston w/Ring Set, .020 / .50mm	2
	KH-24-874-15	Piston w/Ring Set, .08mm	2
7	KH-24-018-01-S	Retainer, Piston Pin	4
8	KH-24-108-08-S	Ring Set, Std., .08	2
	KH-24-108-09-S	Ring Set, .010 / .25mm	2
	KH-24-108-10-S	Ring Set, .020 / .50mm	2
9	KH-24-012-10-S	Camshaft Assembly	1

REF. NO.	PART NUMBER	DESCRIPTION	QTY.
10	KH-12-422-09-S	Shim, Camshaft, .0320 (Red)	AR
	KH-12-422-13-S	Shim, Camshaft, .0400 (Black)	AR
	KH-12-422-07-S	Shim, Camshaft, .0280 (White)	AR
	KH-12-422-08-S	Shim, Camshaft, .0300 (Blue)	AR
	KH-12-422-10-S	Shim, Camshaft, .0340 (Yellow)	AR
	KH-12-422-11-S	Shim, Camshaft, .0360 (Green)	AR
	KH-12-422-12-S	Shim, Camshaft, .0380 (Gray)	AR
11	KH-24-018-09-S	Ring, Retainer	1
12	KH-M-931010-S	Washer, Nylon	1
13	KH-28-032-09-S	Seal, Governor Cross Shaft	1
14	KH-24-468-15-S	Washer, Plain	1
15	KH-24-144-38-S	Shaft, Governor Cross	1
16	KH-52-139-09-S	Plug, Cup	1
17	951-10517	Drain, Oil	1
18	751-3141-14	Hose, Oil Drain	1
19	937-0199	Pipe, Straight, 3/8 NPT x 2.0	1
20	737-0272	Elbow, 90 Degree	1

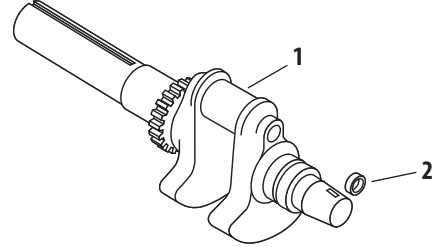
Cylinder Head, Valves and Breather



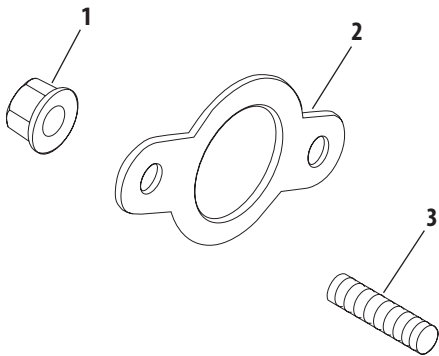
REF. NO.	PART NUMBER	DESCRIPTION	QTY.	REF. NO.	PART NUMBER	DESCRIPTION	QTY.
1	KH-24-755-141-S	Kit, Valve Cover (Includes 2-3)	1	19	KH-24-599-02	Pivot, Rocker Arm	4
2	KH-M-651030-S	Screw, Hex Flng, M6 x1.0 x 30	8	20	KH-M-640034-S	Screw, Hex Flng, M6 x 1.0 x 34	4
3	KH-24-153-30-S	O-Ring, Valve Cover	2	21	KH-12-086-16	Screw, Hex Flng, M10 x 1.5 x 90	8
4	KH-24-445-01	Strap, Lifting	1	22	KH-24-559-10-S	Kit, Fuel Pump Valve Cover	1
5	KH-12-755-03	Kit, Retainer	4	23	KH-25-294-11-S	Fitting, 90°	2
6	KH-12-173-01	Cap, Valve Spring	4	25	KH-24-227-02-S	Cap Assembly, Oil Fill (Incl. 26)	1
7	KH-24-089-02	Spring, Valve	4	26	KH-24-153-09	O-Ring	1
8	KH-235011-S	Retainer, Spring	4	27	KH-24-402-03	Reed, Breather	1
9	KH-66-032-05-S	Seal, Valve Stem	2	28	KH-66-018-04-S	Retainer, Breather Reed	1
10	KH-24-318-107-S	Head Assembly, #1 Cylinder	1	29	KH-M-0545010	Screw, Hex Flng, M5 x 0.8 x 10	1
11	KH-24-017-01	Valve, Intake Std	2	30	KH-24-050-11-S	Filter, Breather	1
	KH-24-017-02	Valve, Intake, .25mm	2	31	KH-24-033-01	Kit, Breather (Includes 32-34)	1
12	KH-24-016-01	Valve, Exhaust Std	2	32	KH-24-041-51-S	Gasket, Breather	1
	KH-24-016-02	Valve, Exhaust, .25mm	2	33	KH-24-096-86-S	Cover, Breather	1
13	KH-24-755-66	Kit, Valve Train (Incl. 15,18,19)	1	34	KH-M-645020-S	Screw, Hex Flng M6 x 1.0 x 20	4
14	KH-25-351-04-S	Lifter, Valve	4	35	KH-25-237-14-S	Clamp, Breather	1
15	KH-24-411-05	Rod, Push	4	36	KH-24-326-89-S	Hose, Breather	1
16	KH-24-841-02-S	Kit, Cyl. Hd. Gasket (Includes 21)	2		KH-24-755-147-S	Kit, Cylinder Head, Includes Ref. Nos. 5-9, 11, 12, 15, 18-20	1
17	KH-24-318-71-S	Head Assembly, #2 Cylinder	1				
18	KH-25-186-01	Arm, Rocker	4				

Crankshaft

REF. NO.	PART NUMBER	DESCRIPTION	QTY.
1	KH-24-014-84-S	Crankshaft (Incl. Ref #2)	1
2	KH-52-139-09-S	Plug, Cup	1

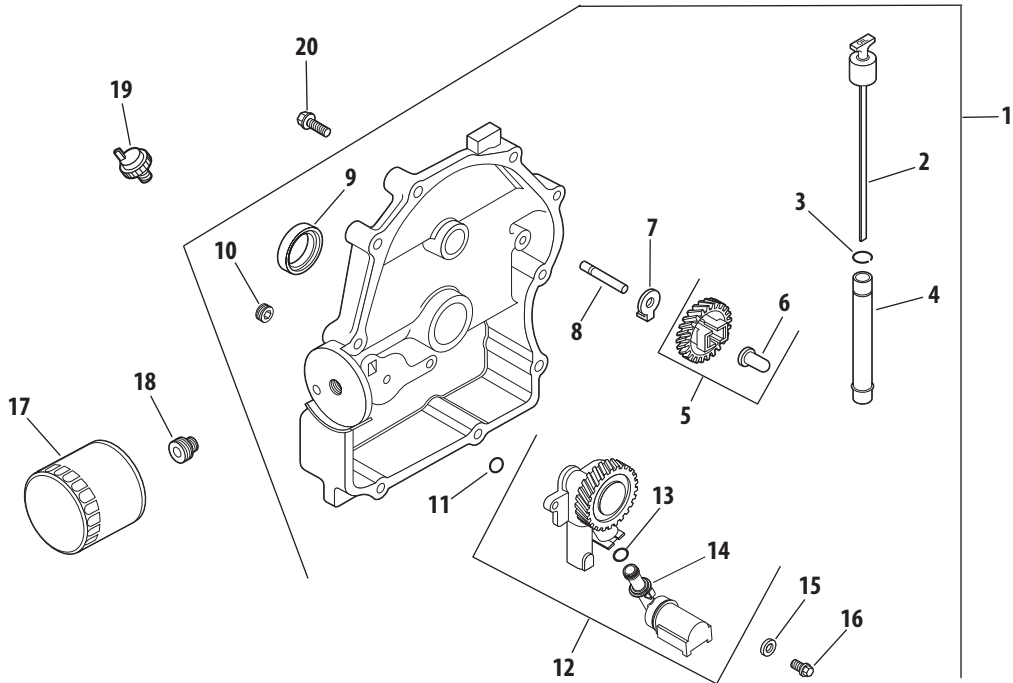


Exhaust



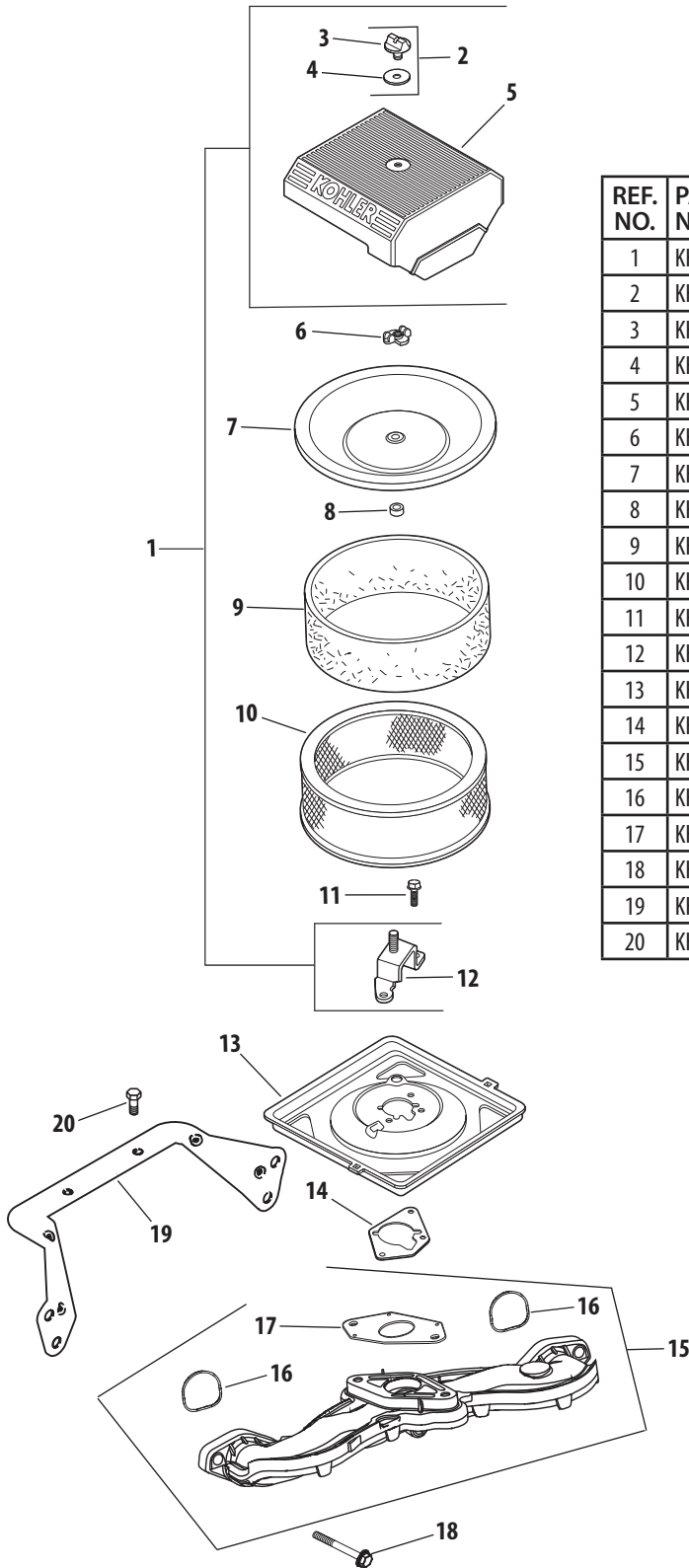
REF. NO.	PART NUMBER	DESCRIPTION	QTY.
1	712-3086	Nut, Muffler Mounting, M8 x 1.25	4
2	721-0377A	Gasket, Exhaust	2
3	KH-25-072-14-S	Stud, Exhaust, M8 x 1.25 x 33	4

Oil Pan and Lubrication



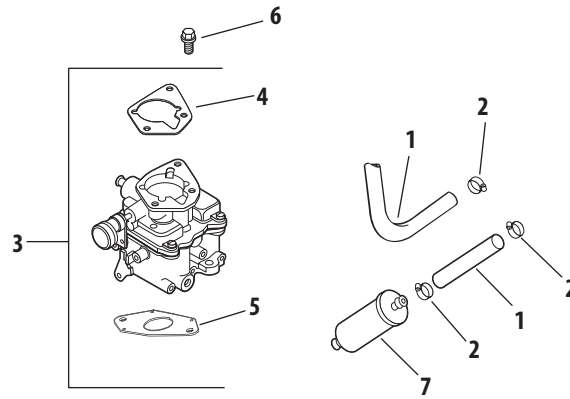
REF. NO.	PART NUMBER	DESCRIPTION	QTY.
1	KH-24-009-98-S	Plate Assy, Closure (Incl. Ref #2-15)	1
2	KH-24-038-08-S	Dipstick	1
3	KH-41-153-01	O-Ring	1
4	KH-24-123-11-S	Tube, Oil Fill/Dipstick	1
5	KH-24-043-12	Kit, Governor Gear (Incl. Ref #6)	1
6	KH-12-380-01	Pin, Governor Regulating	1
7	KH-24-448-02-S	Tab, Locking	1
8	KH-12-144-02	Shaft, Governor Gear	1
9	KH-25-032-06-S	Seal, Oil (PTO end)	1
10	KH-25-139-60-S	Plug, Pipe 1/8	1
11	KH-24-153-08	O-Ring	1
12	KH-24-393-51-S	Oil Pump Assy (Incl. Ref #13-14)	1
13	KH-24-153-01	O-Ring, Oil Pick-up	1
14	KH-24-381-04	Pick-up, Oil	1
15	KH-M-631005	Washer, Plain	2
16	KH-M-645025-S	Screw, Hex Flange, M6 x 1.0 x 25	2
17	KH-12-050-01-S	Filter, Oil	1
18	KH-24-136-01	Nipple, Oil Filter	1
19	KH-25-099-27-S	Switch, Pressure	1
20	KH-24-086-17-S	Screw, Hex Flange, M8 x 1.25 x 45	1

Air Intake and Filtration



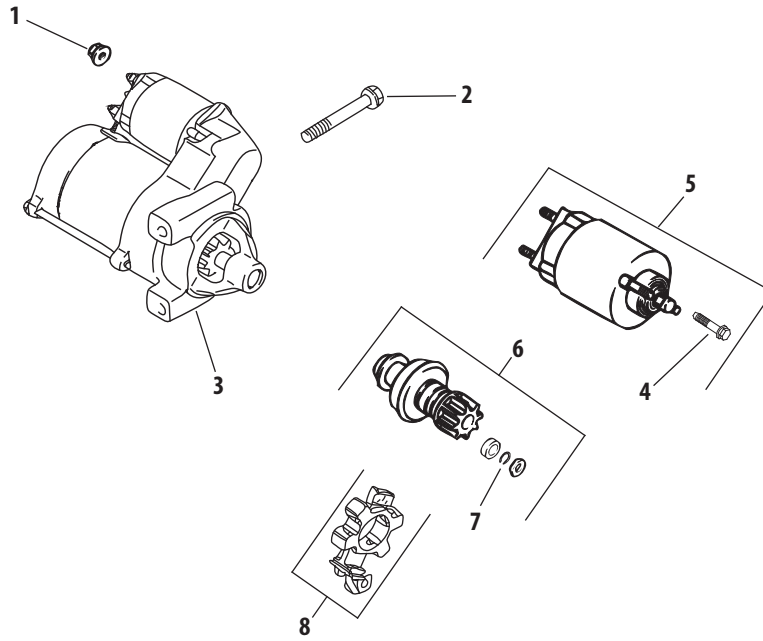
REF. NO.	PART NUMBER	DESCRIPTION	QTY.
1	KH-24-743-08	Kit, Air Cleaner Cover (Incl. 2-5, 12)	1
2	KH-54-755-01-S	Kit, Knob w/Seal (Incl. Ref #2,3)	1
3	KH-25-341-04-S	Knob, Cover	1
4	KH-24-153-20-S	Seal, Air Cleaner Cover Knob	1
5	KH-24-096-69-S	Cover, Air Cleaner	1
6	KH-12-100-01	Wing Nut	1
7	KH-24-096-01	Cover, Inner Air Cleaner	1
8	KH-24-032-03	Seal, Inner Air Cleaner	1
9	KH-47-883-03-S1	Precleaner, Element - Includes Ref. 10	1
10	KH-47-883-03-S1	Element, Air Cleaner - Includes Ref. 9	1
11	KH-24-086-53-S	Screw, Hex Flng, M6 x 1.0 x 16	2
12	KH-24-126-21	Bracket, Air Cleaner Base	1
13	KH-24-094-39-S	Base, Air Cleaner	1
14	KH-24-041-06	Gasket, Air Cleaner Base	1
15	KH-24-164-93-S	Manifold, Intake (Includes 16,17)	1
16	KH-24-153-27-S	O-Ring, Intake Manifold	2
17	KH-24-041-53-S	Gasket, Carburetor	1
18	KH-M-651040-S	Screw, Hex Flange, M6 x 1.0 x 40	4
19	KH-24-126-130-S	Bracket, Air Cleaner Base	1
20	KH-M-0545010	Screw, Hex Flange, M5 x .8 x10	2

Fuel System



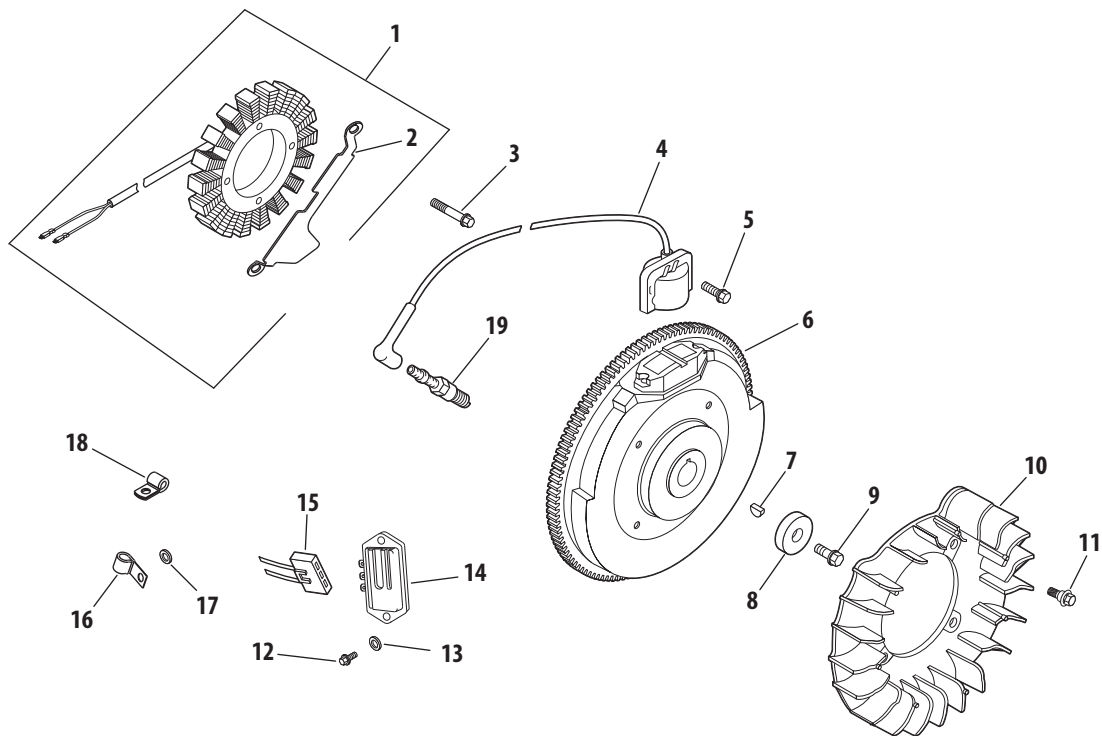
REF. NO.	PART NUMBER	DESCRIPTION	QTY.
1	KH-25-111-34-S	Line, Fuel (24" - Cut to Length)	2
2	KH-25-237-14-S	Clamp, Hose	4
3	KH-24-853-59-S	Kit, Carburetor w/Gasket (Includes 2,3)	1
4	KH-24-041-06	Gasket, Air Cleaner Base	1
5	KH-24-041-17-S	Gasket, Carburetor	1
6	KH-25-086-124-S	Screw, Hex Flange, M6 x 1.0 x 25	2
7	KH-24-050-13-S	Filter, Fuel	1
Not Illustrated			
	KH-24-518-24-S	Lead, Ground	1
	KH-24-757-01	Kit, Solenoid	1
	KH-24-757-02-S	Kit, Float Repair	1
	KH-24-757-03-S	Kit, Carburetor Repair	1
	KH-24-757-07	Kit, Choke Repair	1
	KH-24-755-125-S	Kit, High Altitude	1

Electric Start



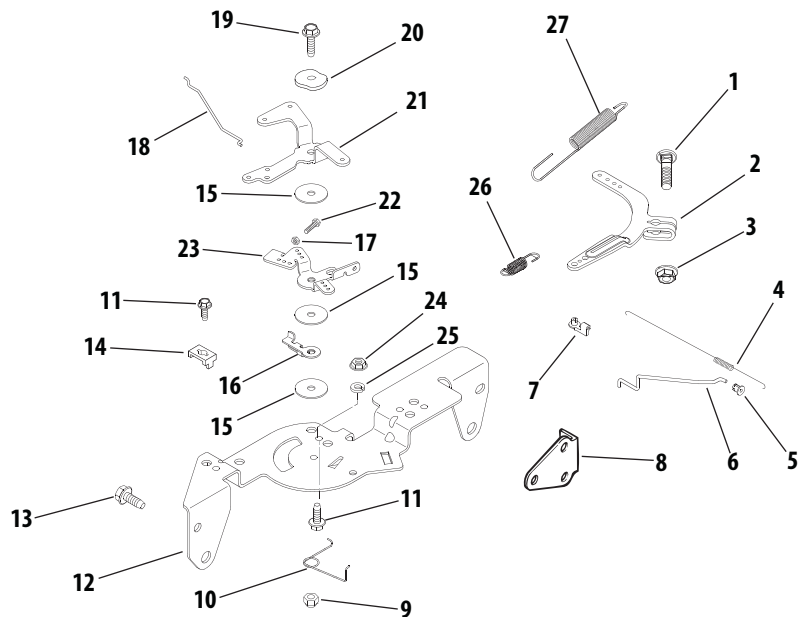
REF. NO.	PART NUMBER	DESCRIPTION	QTY.
1	KH-M-0841080	Nut, Hex Flange M8 x 1.25"	1
2	KH-M-851080-S	Screw, Hex Flange M8 x 1.25 x 80	2
3	KH-25-098-11-S	Starter, Solenoid Shift Assembly (Includes 4-8)	1
4	KH-25-086-113-S	Screw, External Torx Hd.	3
5	KH-25-435-06-S	Kit, Solenoid	1
6	KH-25-755-33-S	Kit, Pinion Drive (Includes 7)	1
7	KH-25-141-05-S	Ring, Retainer	1
8	KH-25-221-01-S	Kit, Brush	1

Ignition, Electrical and Flywheel



REF. NO.	PART NUMBER	DESCRIPTION	QTY.
1	KH-237878	Stator Kit, 15 Amp	1
2	KH-24-126-139-S	Bracket, Stator Wire	1
3	KH-M-548025-S	Screw, Stator Mtg. M5 x .8 x 25	2
4	KH-24-584-45-S	Module, Ignition	2
5	KH-M-545020-S	Screw, Module M5 x .8 x 20	4
6	KH-24-025-48-S	Flywheel Assembly	1
7	KH-X-42-15	Key	1
8	KH-12-468-03	Washer, Flat, 13/32	1
9	KH-12-086-14	Screw, Flange M10x1.5 x 45	1
10	KH-24-157-11-S	Fan	1
11	KH-25-086-47	Bolt, Shoulder	4
12	KH-24-086-18	Screw Phillips Hd., #11-16 x .875	2
13	KH-X-25-92	Washer, Plain	2
14	KH-41-403-09	Regulator - Rectifier	1
15	KH-25-155-41-S	Connector, Regulator-Rectifier	1
16	KH-235173	Clip, Cable	1
17	KH-X-25-63	Washer, Plain 1/4"	1
18	KH-12-154-01	Clip, Cable	1
19	759-3336	Spark Plug	2
Not Illustrated			
	KH-24-176-08	Harness, Wire	1
	KH-24-126-137-S	Bracket, Ground Strap	1
	KH-25-086-91-S	Screw, Tapping	2
	KH-25-454-03-S	Tie, Wire	2
	KH-25-468-07-S	Washer, Flat	1

Engine Controls



REF. NO.	PART NUMBER	DESCRIPTION	QTY.
1	KH-24-211-03-S	Screw, Round Hd. Square Neck	1
2	KH-24-090-51-S	Lever, Governor	1
3	KH-M-641060-S	Nut, Hex Flange M6 x 1.0	1
4	KH-24-089-01	Spring, Linkage	1
5	KH-25-158-08	Bushing, Linkage Retaining	1
6	KH-24-079-01	Linkage, Throttle	1
7	KH-25-158-11	Bushing, Linkage Retaining	1
8	KH-24-126-04-S	Bracket, Support	2
9	KH-M-547050-S	Nut, Hex Lock M5 x 0.8	1
10	KH-24-089-03	Spring, Choke Return	1
11	KH-M-545016-S	Screw, Hex Flange M5 x 0.8 x 16	2
12	KH-24-126-56	Bracket, Control	1
13	KH-M-645016-S	Screw, Hex Flange M6 x 1.0 x 16	4
14	KH-12-237-01	Clamp, Cable	2
15	KH-24-468-01	Washer, Plain 5.5mm	3
16	KH-24-090-07	Lever, Throttle Actuator	1
17	KH-M-446030-S	Nut, Hex M4 x 0.7	1
18	KH-24-079-21-S	Linkage, Choke	1
19	KH-M-545020-S	Screw, Hex Flange M5 x 0.8 x 20	1
20	KH-41-468-03	Washer, Spring 1/4"	1
21	KH-24-090-05	Lever, Choke	1
22	KH-M-401030	Screw, Hex Cap M4 x 0.7 x30	1
23	KH-24-090-13	Lever, Throttle Control	1
24	KH-M-541050-S	Nut, Hex	1
25	KH-X-20-1	Washer	1
26	KH-24-089-44-S	Spring, Governor	1
27	KH-24-089-51-S	Spring, Throttle Limiter	1