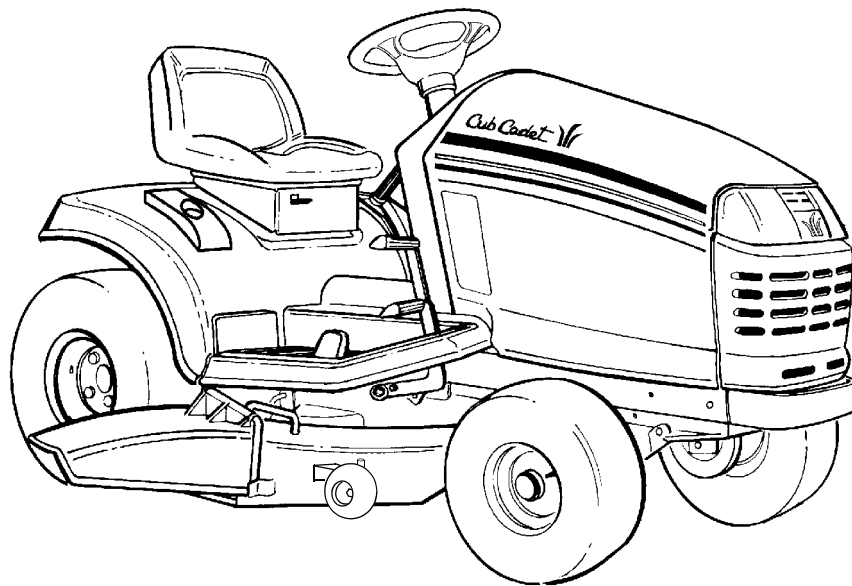


# *Cub Cadet*

## Parts Manual



### **SERIES 2500**

### **TRACTOR**

### **Model Number**

### **GT 2544**

CUB CADET LLC P.O. BOX 361131 CLEVELAND, OHIO 44136-0019 [[www.cubcadet.com](http://www.cubcadet.com)]

PRINTED IN U.S.A.

FORM NO. 769-01477  
(10/04)

---

# NOTES

---

## MODEL GT2544

### TABLE OF CONTENTS

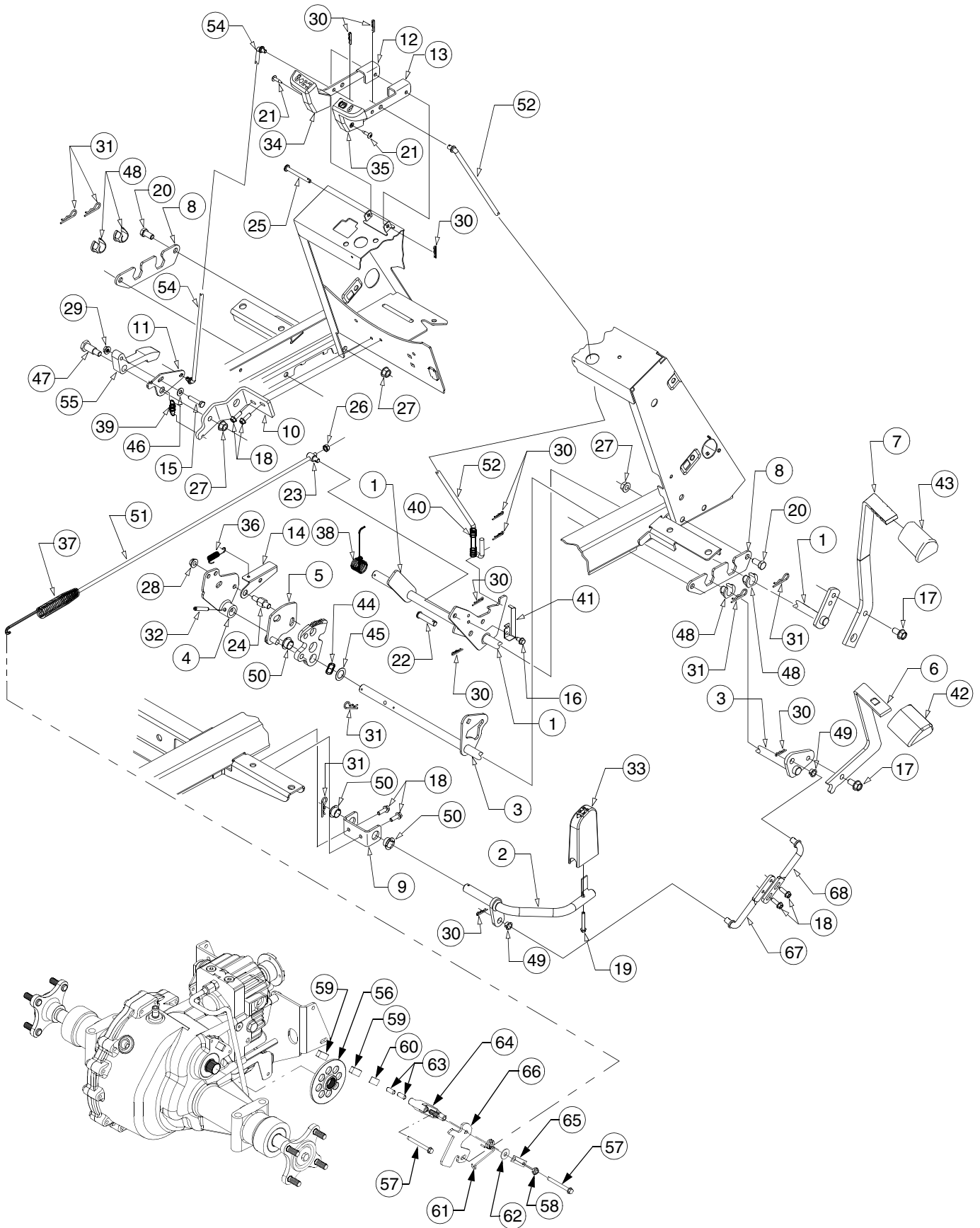
DESCRIPTION	PAGE	DESCRIPTION	PAGE
Axle, Front .....	36	Engine Mounting .....	20
Battery .....	16	Fender .....	34
Brakes .....	4	Frame .....	18
Bulkhead .....	15	Fuel Tank .....	19
Controls		Grille .....	32
Engine .....	15	Hood .....	32
Pedal .....	4	Hydraulic Filter .....	14
Transmission .....	8	Hydraulic Linkage .....	14
Dash Panel .....	15	Hydrostatic Pump .....	12
Drawbar .....	18	Implement Lift Handle .....	37
Drive Line .....	9	Implement Lift Hanger .....	38
Electrical		Muffler .....	20
Switches .....	16	PTO Clutch .....	19
Wiring .....	16	Running Board .....	34
Engine		Seat .....	31
Air Filter .....	26	Side Panels .....	32
Blower Housing .....	21	Steering .....	6
Breather .....	23	Transmission, Hydro .....	10
Carburetor .....	27	Wheels, Front & Rear .....	39
Controls .....	30	44" Mower Deck .....	40
Crankcase .....	22		
Crankshaft .....	24		
Cylinder Head .....	23		
Electrical .....	29		
Exhaust .....	24		
Flywheel .....	29		
Fuel System .....	27		
Oil Pan .....	25		
Starter .....	28		
Valves .....	23		

**NOTE:** For **painted parts**, please refer to the list of color codes below. Please add the applicable color code, wherever needed, to the part number to order a replacement part.

For instance, if a part, numbered 700-xxxx, is painted Cub Yellow, the part number to order would be 700-xxxx-0716.

Cub Yellow: 0716  
 Cub Beige: 0499  
 Cub Blue: 0685  
 Powder Black: 0637

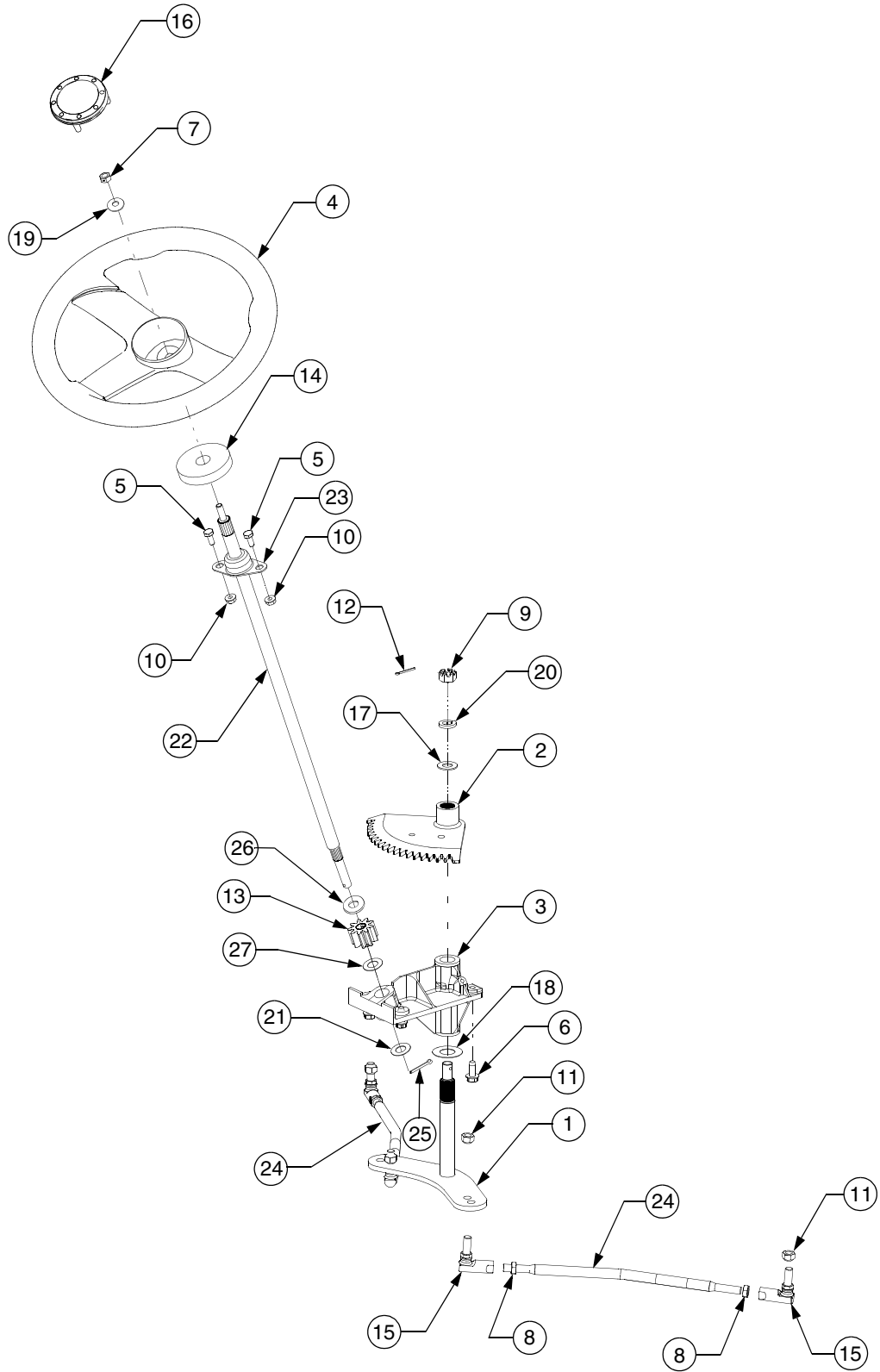
# BRAKE AND CONTROL PEDALS



**BRAKE AND CONTROL PEDALS**

REF. NO.	PART NUMBER	DESCRIPTION	QTY.	REF. NO.	PART NUMBER	DESCRIPTION	QTY.
1	603-0321A	Shaft Assy, Brake	1	35	731-3207	Knob, Brake Lock	1
2	603-0412	Pedal Assy, Reverse	1	36	732-0418	Spring, Extension, .38 OD x 2.1	1
3	603-0697	Shaft Assy, Forward/Reverse	1	37	732-0463A	Spring, Extension	1
4	603-0419	Cam Assy, Control	1	38	732-0756A	Spring, Torsion	1
5	603-0421A	Plate Assy, Disengagement	1	39	732-04006	Spring, Extension, .6 OD x 1.34	1
6	703-2570A	Pedal, Forward	1	40	732-3099	Spring, Compression, .50 x 2.23	1
7	703-2573A	Pedal, Brake	1	41	732-3117	Spring, Switch Actuator	1
8	703-2804	Plate, Bearing Mounting	2	42	735-3048	Pad, Forward Foot Control	1
9	703-2938	Bracket, Reverse Pivot	1	43	735-3049	Pad, Brake Foot	1
10	703-2941	Bracket, Cruise	1	44	736-0174	Washer, Wave, .625 x .885 x .015	1
11	703-2942	Plate, Rod Adjustment	1	45	736-0349	Washer, Flat, .635 x 1.0 x .020	1
12	703-2962	Lever, Cruise	1	46	736-0463	Washer, Flat, 1/4 x .63 x .051	1
13	703-2963	Lever, Brake Lock	1	47	738-0145	Shoulder Bolt, .50 OD x .840	1
14	703-2965	Actuator, Reverse Switch	1	48	741-3065B	Bearing, Hex Flange Split	4
15	710-0106	Screw, Hex Cap, 1/4-20 x 1.25	1	49	741-3073	Bearing, Flange, .375 x .58 x .25	2
16	710-0599	Screw, Hex Wash Hd Tapp 1/4-20 x .5	1	50	741-3074	Bearing, Flange, .626 x .93 x .344	3
17	710-0623	Screw, Hex Wash Hd Tapp 3/8-16x .75	2	51	747-3392A	Rod, Brake	1
18	710-0642	Screw, Hex Wash Hd Tapp 1/4-20x .75	6	52	747-3219	Rod, Parking Brake	1
19	710-0796	Screw, Truss Mach, #12 x 1.5	1	54	747-3307	Rod, Cruise	1
20	710-0216	Screw, Hex Cap, 3/8-16 x .75 GR5	2	55	748-3060	Latch, Cruise	1
21	710-3009	Screw, Phil Hd Pan, #10-24 x .75	2	56	761-0215	Disc, Brake	1
22	711-0415	Pin, Clevis, 3/8 x 1.62	1	57	710-1206	Screw, Hex Wash Hd, Tapp, 1/4-20 x 2.375	2
23	711-0736	Ferrule, Adjustment, 1/4-20 Thrd	1				
24	711-1138	Stud, Actuator	1	58	712-0273	Nut, Hex Nylon Lock, 5/16-24	1
25	711-3295	Pin, Clevis, .25 x 2.38	1	59	717-0678	Pad, Brake	2
26	712-0271	Nut, Hex Sems, 1/4-20	1	60	717-0682	Plate, Puck	1
27	712-0431	Nut, Hex Flange Lock, 3/8-16	3	61	732-0925	Spring, Torsion	1
28	712-3004A	Nut, Hex Flange Lock, 5/16-18	1	62	736-0371	Washer, Flat, .343 x .88 x .062	1
29	712-3027	Nut, Hex Flange Lock, 1/4-20	1	63	741-0343	Pin, Brake Actuating	2
30	714-0104	Pin, Internal Cotter, 5/16 Dia x 1.12	9	64	761-0207A	Yoke, Brake	1
31	714-0145	Pin, Internal Cotter, 3/8 Dia x 1.62	6	65	761-0208	Bracket, Brake Anti Rotation	1
32	715-0114	Pin, Spiral Spring, 1/4 x 1.5	1	66	761-3074	Arm, Brake Actuator	1
33	731-3205	Pedal, Reverse	1	67	747-3341A	Rod, Rear Connecting	1
34	731-3206	Knob, Cruise	1	68	747-3383	Rod, Front Connecting	1

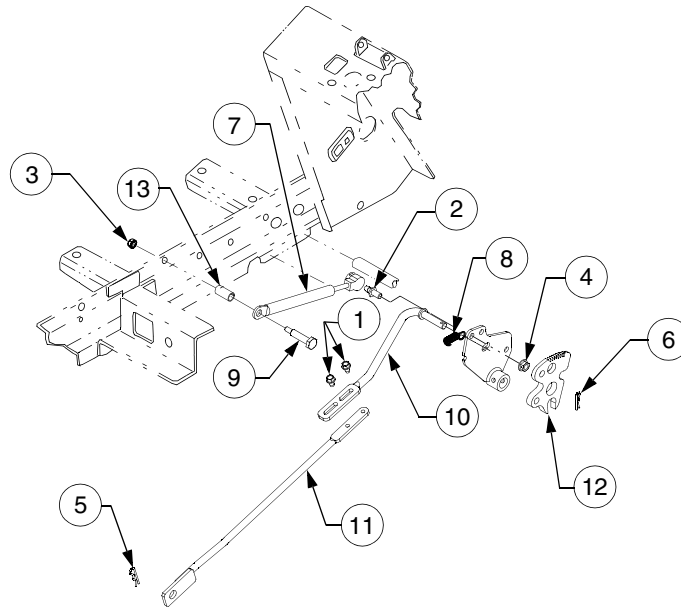
# STEERING



## STEERING

REF. NO.	PART NUMBER	DESCRIPTION	QTY.
1	603-0064	Arm Assy, Lower Steering	1
2	603-0250	Segment Assy, 18T Steering	1
3	603-0236B	Housing Assy,	1
	737-3000	Fitting, Grease, 3/16 Drive Type	1
	748-0108	Bearing, Flange, .503 ID	1
	748-3007A	Bearing, Bronze Flange, .75 ID	2
4	731-2624	Wheel, Steering, Soft Grip	1
5	710-3008	Screw, Hex Cap, 5/16 - 18 x .75, GR5	2
6	710-1260A	Screw, Hex Wash. Hd. Tapp 5/16 - 18 x .75	4
7	712-0237	Nut, Hex Center Lock, 5/16-18	1
8	712-0711	Nut, Hex Jam, 3/8-24 GR2	4
9	712-3012	Nut, Hex Slotted, 1/2-20 GR5	1
10	712-3004A	Nut, Hex Flange Lock, 5/16-18 GR5	2
11	712-3054	Nut, Hex Lock, 3/8-24 GR5	4
12	714-3004	Pin, Cotter, 3/32 Dia x 1.25	1
13	717-3382	Pinion, Steering	1
14	722-3019	Gasket, Steering	1
15	723-0156	Joint, Ball, 3/8-24	4
16	731-2625	Cap, Steering Wheel	1
17	736-0272	Washer, Flat, .510 x 1 x .06 Thk	1
18	736-0351	Washer, Flat, .760 x 1.5 x .03 Thk	1
19	736-0242	Washer, Bell., .34 x .872 x .061 Thk	1
20	736-0921	Washer, Lock, 1/2	1
21	736-3013	Washer, Flat, .531 x 1 x .027 Thk	2
22	711-04360	Shaft, Steering	1
23	741-3025	Bearing, Flange	1
24	747-3171	Rod, Tie	2
25	714-0115	Pin, Cotter, 1/8 x 1.0	1
26	736-0355	Washer, Flat, .56 x 1.0 x .04 Ht	1
27	736-3132	Washer, Flat, 1.12 x .5 x .125	1

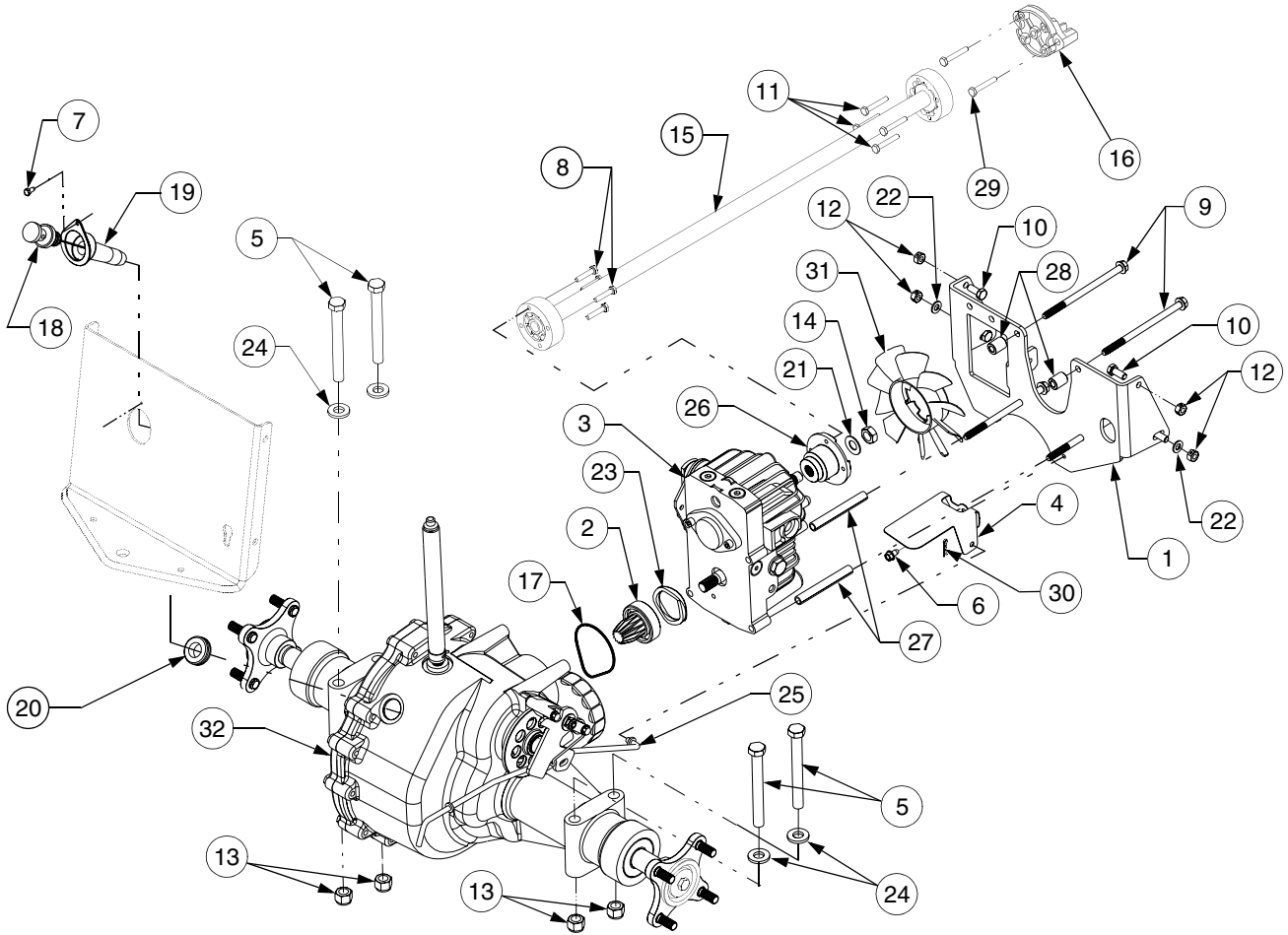
## TRANSMISSION CONTROLS



REF. NO.	PART NUMBER	DESCRIPTION	QTY.
1	710-0642	Screw, Hex Wsh Hd Tapp, 1/4-20 x .75	2
2	710-3170	Screw, Ball, 5/16-18 x.56	1
3	712-0271	Nut, Hex Sems, 1/4-20	1
4	712-3004A	Nut, Hex Flange Lock, 1/4-20	1
5	714-0101	Pin, Internal Cotter	1
6	714-0104	Pin, Internal Cotter	1
7	727-3090	Cylinder, Damper	1
8	732-3118	Spring, Extension, 3/8 OD x 1.44	1
9	738-0560	Bolt, Shoulder, .374 Dia x 1.375	1
10	747-3304	Rod, Front Control	1
11	647-3003	Rod, Rear Hydro Control	1
12	748-3070A	Plate, Cruise	1
13	750-0434	Spacer, Split Tubing, .375 ID x 1.04	1

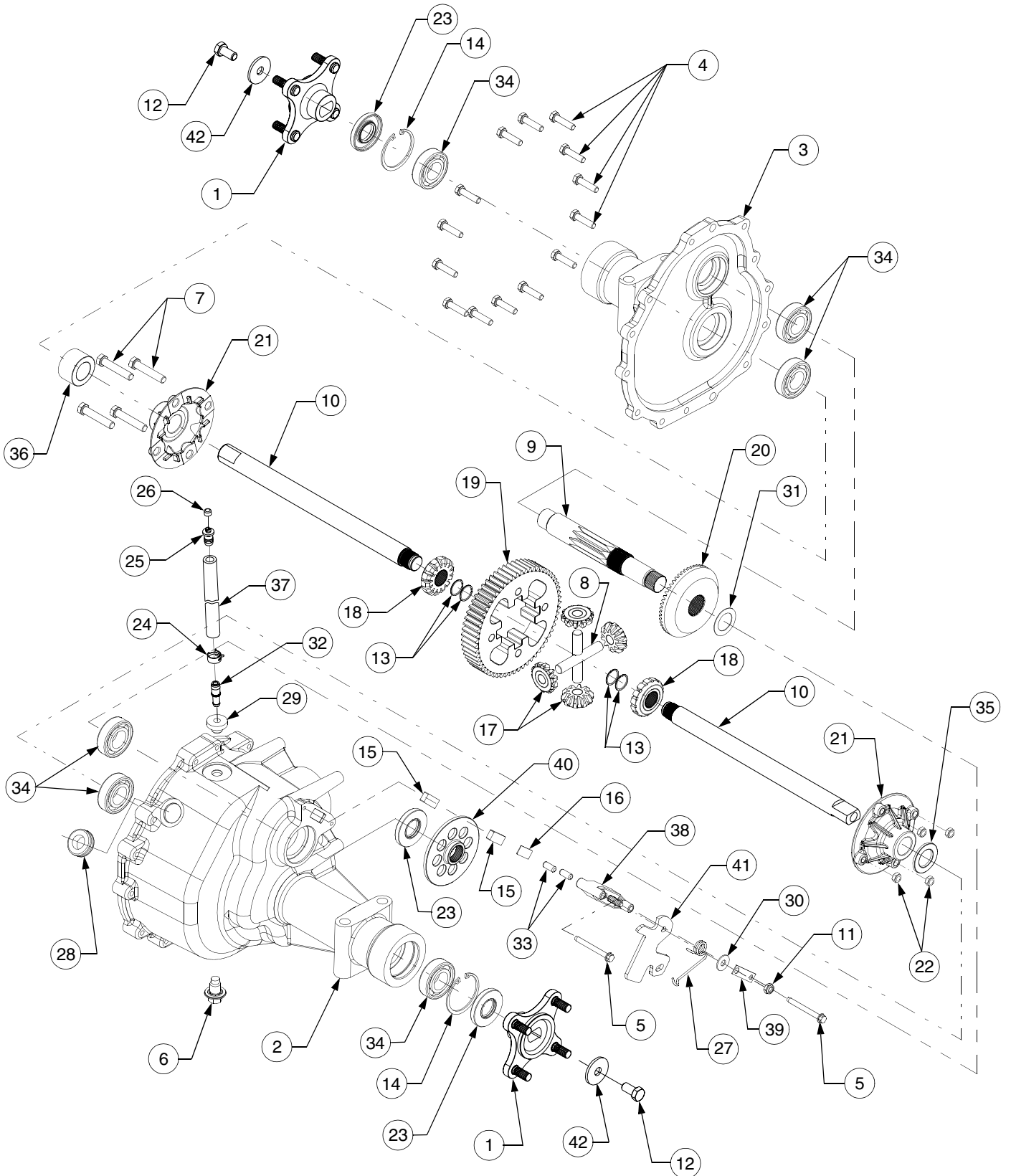


**DRIVE LINE**



REF. NO.	PART NUMBER	DESCRIPTION	QTY.	REF. NO.	PART NUMBER	DESCRIPTION	QTY.
1	603-0707	Bracket, Torque	1	18	727-3195	Dipstick, Transmission	1
2	617-3002	Gear Assembly, Pinion	1	19	731-3294	Holder, Dipstick	1
3	618-3243	Transmission, Hydrostatic	1	20	735-0277A	Grommet, Rubber, .75 x 1.063	1
4	703-4093	Spring Plate, Hydro Dump	1	21	736-0253	Washer, Belleville	1
5	710-0465	Screw, Hex Cap, 1/2-20 x 4.5 GR5	4	22	736-0275	Washer, Flat, .344 x .688 x .065	2
6	710-0599	Scrw, Hx Wsh Hd Tapp, 1/4-20 x .5	1	23	736-0619	Washer, Spring	1
7	710-0919	Scrw, Hx Wsh Hd Tapp, 10-16 x .44	1	24	736-3019	Washer, Flat, .531 x 1.062 x .134	4
8	710-1062	Screw, Hex Patch, 1/4-20 x 1.25 GR5	4	25	747-3417	Rod, Hydro Dump Valve	1
9	710-1888	Scrw, Hx Hd Tapp, 5/16-18 x 5.25	4	26	748-3093	Adapter, Hydro Pump	1
10	710-3008	Screw, Hex Cap, 5/16-18 x .75 GR5	4	27	750-3349	Spacer, Hydro, .323 x .443 3.51	2
11	710-3288	Screw, Hex Patch, 1/4-20 x 1.62 GR5	4	28	750-3350	Spacer, Hydro, .323 x .600 x .74	2
12	712-3009	Nut, Hex Cntr Lock, 3/8-16	4	29	KH-24-086-16	Screw, Hex Patch, M10-1.50x 90mm	2
13	712-3058	Nut, Hex Nylon Lock, 1/2-20 GR2	4	30	714-0104	Internal Cotter Pin	1
14	712-3059	Nut, Hex Top Lock Jam, 1/2-20	1	31	731-3297	Fan, Pump	1
15	718-3143	Shaft, Drive, 30.875 Lg	1	32		Transmission Assembly, Hydro — See Pages 10-11 for Parts Info.	1
16	719-3096	Adapter, Engine	1				
17	721-0519	Seal, Gland	1				

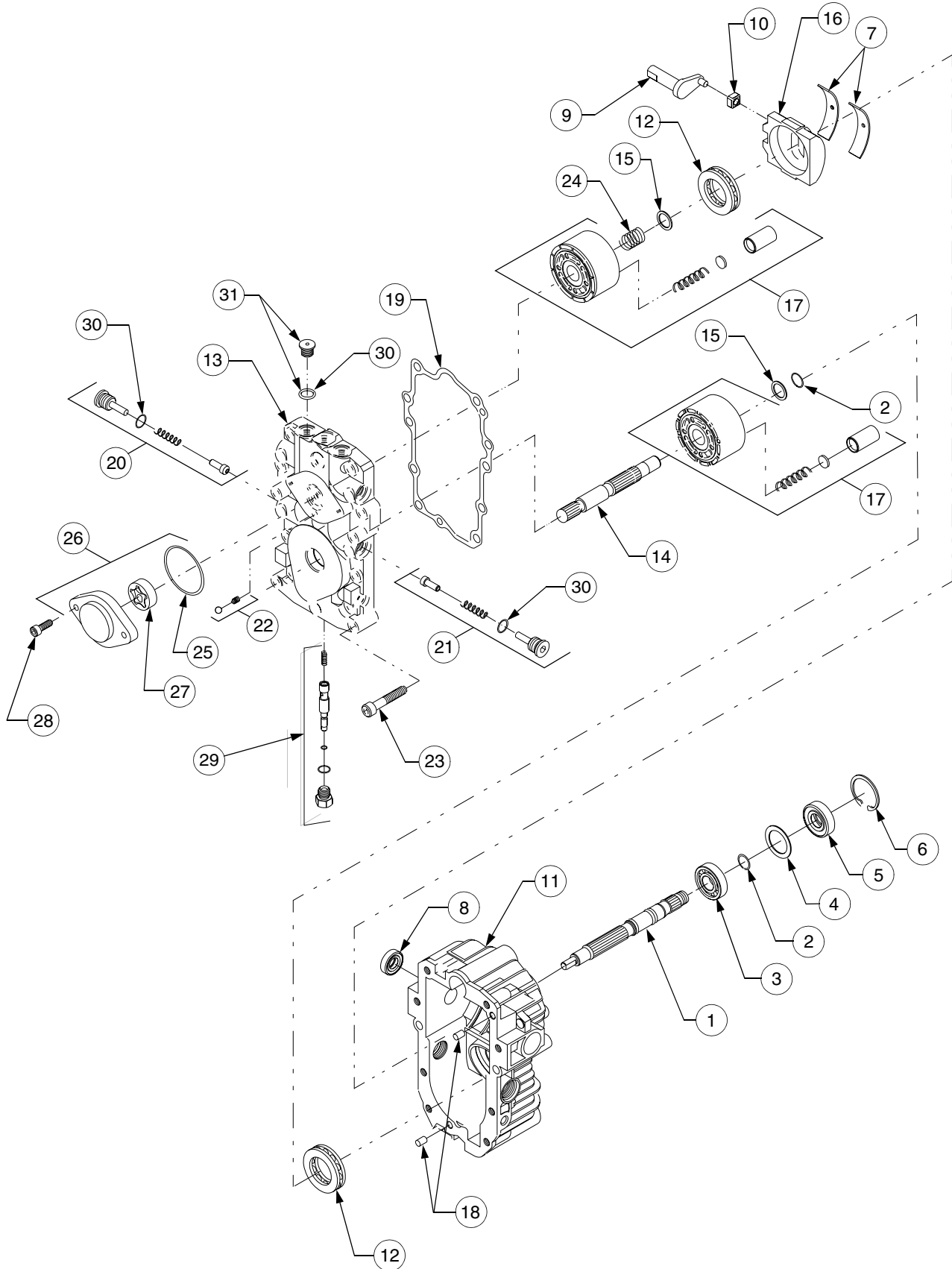
# HYDRO TRANSMISSION



## HYDRO TRANSMISSION

REF. NO.	PART NUMBER	DESCRIPTION	QTY.
	618-04176	Transmission Assembly, Hydro — Does not include Ref Nos. 1 and 12	1
1	618-04115	Hub Assembly, Wheel	2
2	619-3071A	Housing, RH Transmission	1
3	619-3072	Housing, LH Transmission	1
4	710-0573	Screw, Hex Cap Lock, 5/16-18 x 1.25 GR5	14
5	710-1206	Screw, Hex Wash Hd. Tapp, 1/4-20 x 2.375	2
6	710-1633	Screw, Plug, M14 x 1.5 x .827	1
7	710-3144	Screw, Hex Cap Lock, 3/8-16 x 2.0 GR5	4
8	711-1052A	Shaft, Cross, .50 x 3.005	2
9	711-1385A	Shaft, Output, 9T	1
10	711-04233	Shaft, Axle	2
11	712-0273	Nut, Hex Nylon Lock, 5/16-24	1
12	710-3119	Screw, Hex Cap Lock, 3/8-16 x .75 GR5	2
13	716-04032	Ring, Retaining	4
14	716-0204	Ring, Retaining	2
15	717-0678	Pad, Brake	2
16	717-0682	Plate, Puck	1
17	717-1446	Gear, Miter, 10T	4
18	717-04102	Gear, Miter, 14T	2
19	717-1568A	Gear, Differential Spur, 60T	1
20	717-3449	Gear, Bevel, 54T	1
21	719-0375A	Housing, Differential w/Thru Holes	2
22	712-3020	Nut, Hex Insert Jam GR5, 3/8-16	4
23	721-0523	Seal, Oil, 1.0 x 2.047 x .2755	3
24	726-0324	Clamp, Hose	1
25	731-1480	Vent, Plastic	1
26	731-1481	Cap, Plastic Vent	1
27	732-0925	Spring, Torsion	1
28	735-0277A	Grommet, Rubber, .75 x 1.063	1
29	735-0279	Grommet, Rubber, .362 x .56	1
30	736-0371	Washer, Flat, .343 x .88 x .062	1
31	736-0615	Washer, Thrust, 1.007 x 1.542 x .03	1
32	737-3092	Fitting, Tube	1
33	741-0343	Pin, Brake Actuating	2
34	741-3114	Bearing, Ball (6205-1)	6
35	750-3346	Spacer, Axle, 1.007 x 1.665 x .141	1
36	750-3358	Spacer, Axle, 1.007 x 1.665 x .989	1
37	751-0588-8	Tube, Transmission Breather	1
38	761-0207A	Yoke, Brake	1
39	761-0208	Bracket, Brake Anti Rotation	1
40	761-0215	Disc, Brake	1
41	761-3074	Arm, Brake Actuator	1
42	736-0227	Washer, Flat, .39 x 1.5 x .134	2
	759-3958	Sealant, Loctite Black, 5.3 oz. Tube	1
	737-3120	Drive System Fluid Plus - Quart	5.5
	737-3121	Drive System Fluid Plus - Gallon	AR

# HYDROSTATIC PUMP



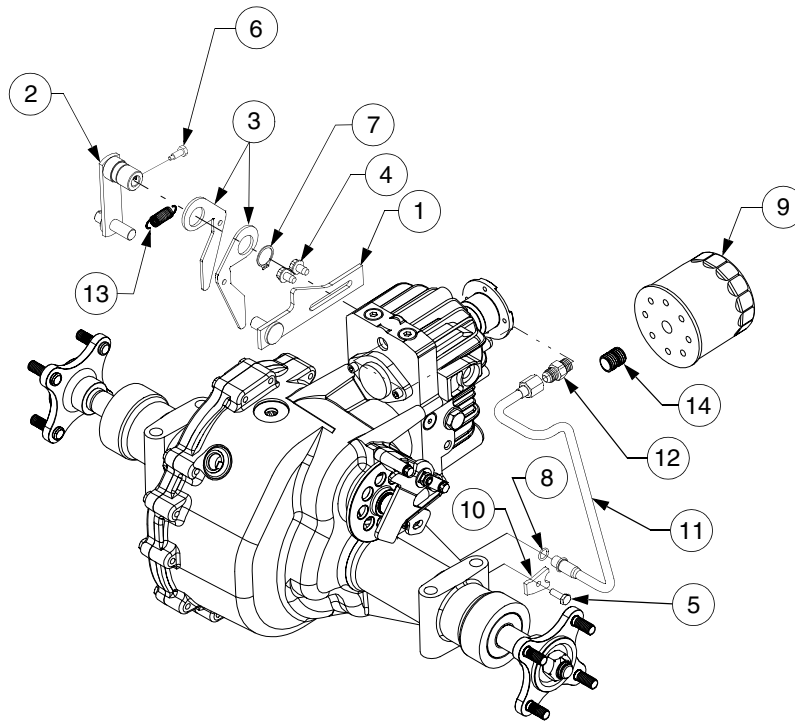
---

## HYDROSTATIC PUMP

REF. NO.	PART NUMBER	DESCRIPTION	QTY.
1	HG-50158	Shaft, Pump (Splined)	1
2	HG-2003016	Ring, Retaining	2
3	HG-2003043	Bearing, Ball	1
4	HG-2003018	Spacer	1
5	HG-9008000-0128	Seal, Lip	1
6	HG-2003052	Ring, Retaining	1
7	HG-2003023	Bearing, Cradle	2
8	HG-9008000-0126	Seal, Lip	1
9	HG-2003005	Arm, Trunnion	1
10	HG-2000015	Guide, Slot	1
11	HG-2513036	Housing Kit	1
12	HG-2003044	Bearing Assembly, Thrust Ball	2
13	HG-51077	Center Section Kit	1
14	HG-2003034	Shaft, Motor	1
15	HG-2003017	Washer, Block Thrust	2
16	HG-2003087	Swash Plate	1
17	HG-70079	Block Assembly	2
18	HG-9004800-2506	Pin	2
19	HG-2003060	Gasket, Center Section	1
20	HG-2510027	Kit, Check Valve	1
21	HG-2510034	Kit, Orificed Check Valve	1
22	HG-2510011	Kit, Charge Relief Valve	1
23	HG-9007314-0808	Screw, Socket Hd	8
24	HG-2003014	Spring, Block	1
25	HG-9004101-1340	O-Ring	1
26	HG-2513027	Kit, Charge Pump	1
27	HG-J1041008	Gerotor Assy	1
28	HG-50095	Screw, Socket Hd	2
29	HG-2513011	Bypass Valve Kit	1
30	HG-9004201-3700	O-Ring	3
31	HG-9005110-5600	Plug w/O-Ring	2

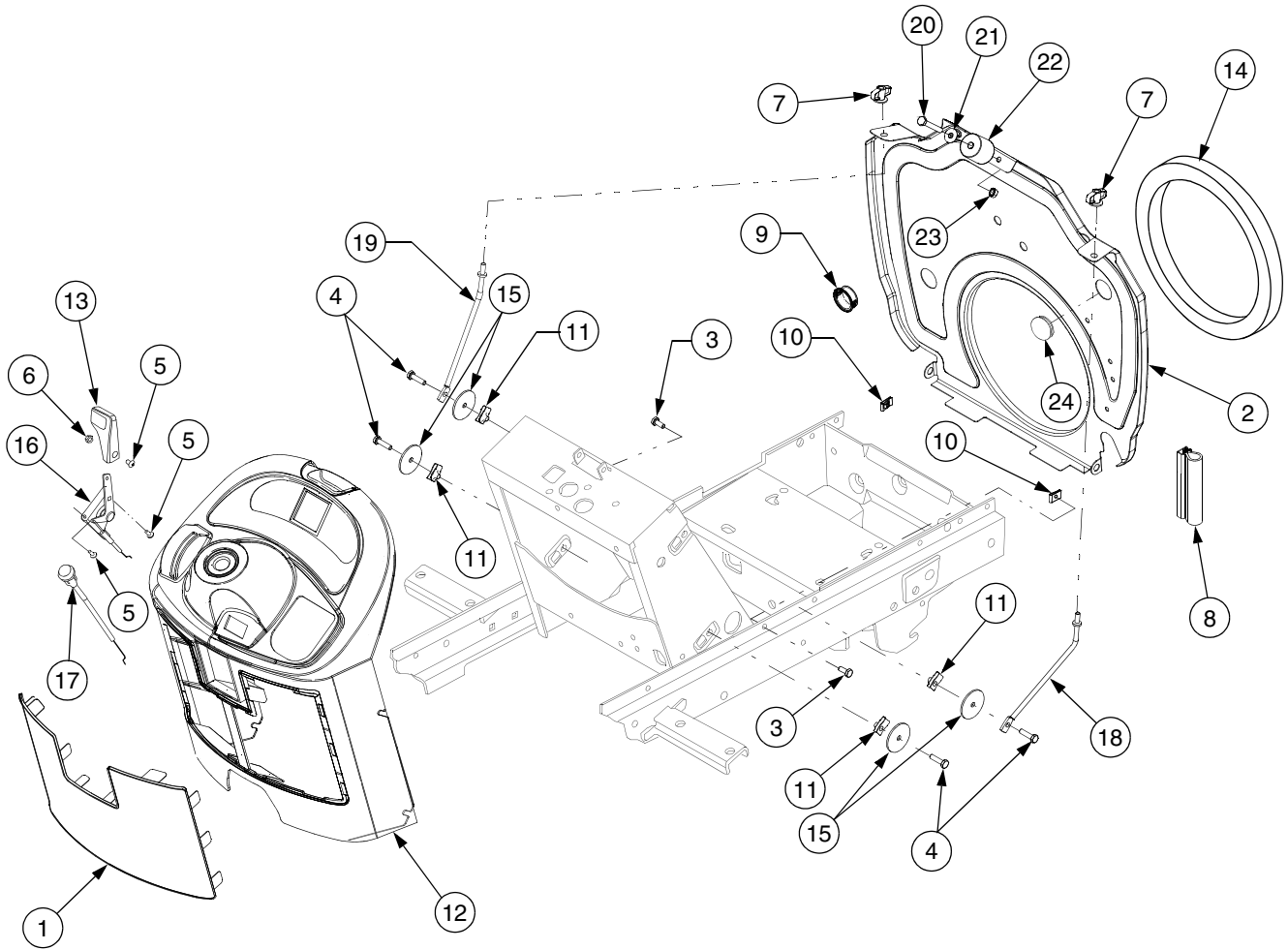
---

## NEUTRAL LINKAGE, HYDRAULIC PICKUP AND RETURN TUBES



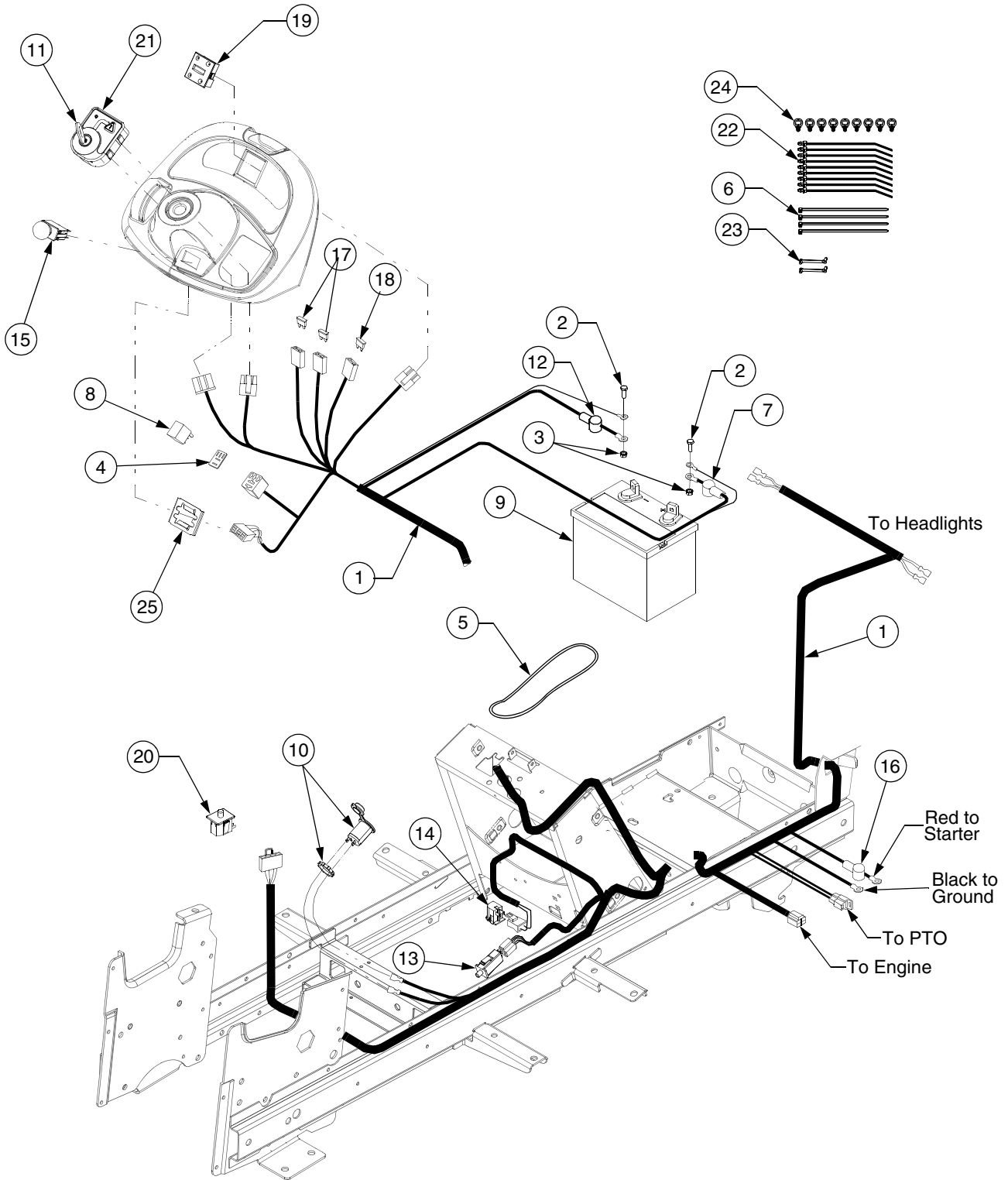
REF. NO.	PART NUMBER	DESCRIPTION	QTY.
1	603-0732	Bracket, Neutral Return	1
2	603-0737	Arm Assembly, Control	1
3	703-2441	Arm, Neutral	2
4	710-0607	Screw, Hex Wash Hd Tapp, 5/16-18 x .50	2
5	710-3015	Screw, Hex Cap, 1/4-20 x .75 GR5	1
6	710-04171	Screw, Special Hex Cap, 5/16-24 x .625	1
7	716-0111	Ring, Snap, .875 Shaft	1
8	721-0459	O-Ring, .426 ID x .566 OD x .07	1
9	723-3014	Filter, Oil	1
10	726-0295	Clamp, Tube, .50	1
11	727-0636	Tube, Hydro Pickup	1
12	727-3002	Fitting, Hydraulic	1
13	732-3119	Spring, Extension	1
14	737-3022	Nipple, Oil Filter	1

## BULKHEAD, DASH PANEL AND ENGINE CONTROLS



REF. NO.	PART NUMBER	DESCRIPTION	QTY.	REF. NO.	PART NUMBER	DESCRIPTION	QTY.
1	703-2557	Screen, Intake Dash	1	13	731-3161	Knob, Throttle	1
2	703-3108C	Bulkhead, Lower	1	14	723-3062	Seal Ring, Foam	1
3	710-0751	Screw, Hex Cap, 1/4-20 x .625	2	15	736-3128	Washer, Flat, .285 x 1.75 x .10	4
4	710-0597	Screw, Hex Cap, 1/4-20 x 1.0	2	16	746-3049	Control, Throttle	1
5	710-3217	Screw, Cross Rec Trus, #8-32 x .38	3	17	746-3050A	Control, Choke	1
6	712-0142	Nut, #8-32	1	18	747-3226	Rod, RH Mounting	1
7	712-0397	Nut, Wing w/Bell Washer 1/4-20	2	19	747-3227	Rod, LH Mounting	1
8	720-3024-36	Seal, Push On Trim	28in	20	710-0136	Screw, Hex Cap, 1/4-20 x 1.75 GR5	1
9	723-3042	Bushing, Snap, 7/8 ID	1	21	736-0342	Washer, Flat, .283 x .75 x .030	1
10	726-3048	Nut, U-Type Speed, 1/4-20	2	22	731-3232	Roller, Hood Latch	1
11	726-3054	Nut, U-Clip, 1/4-20	4	23	712-0271	Nut, Hex Sems, 1/4-20	1
12	731-05038 777122458	Panel, Dash Graphic, Instrument Panel Inlay	1 1	24	720-3025	Plug, Button	1

## BATTERY, ELECTRICAL COMPONENTS AND SWITCHES



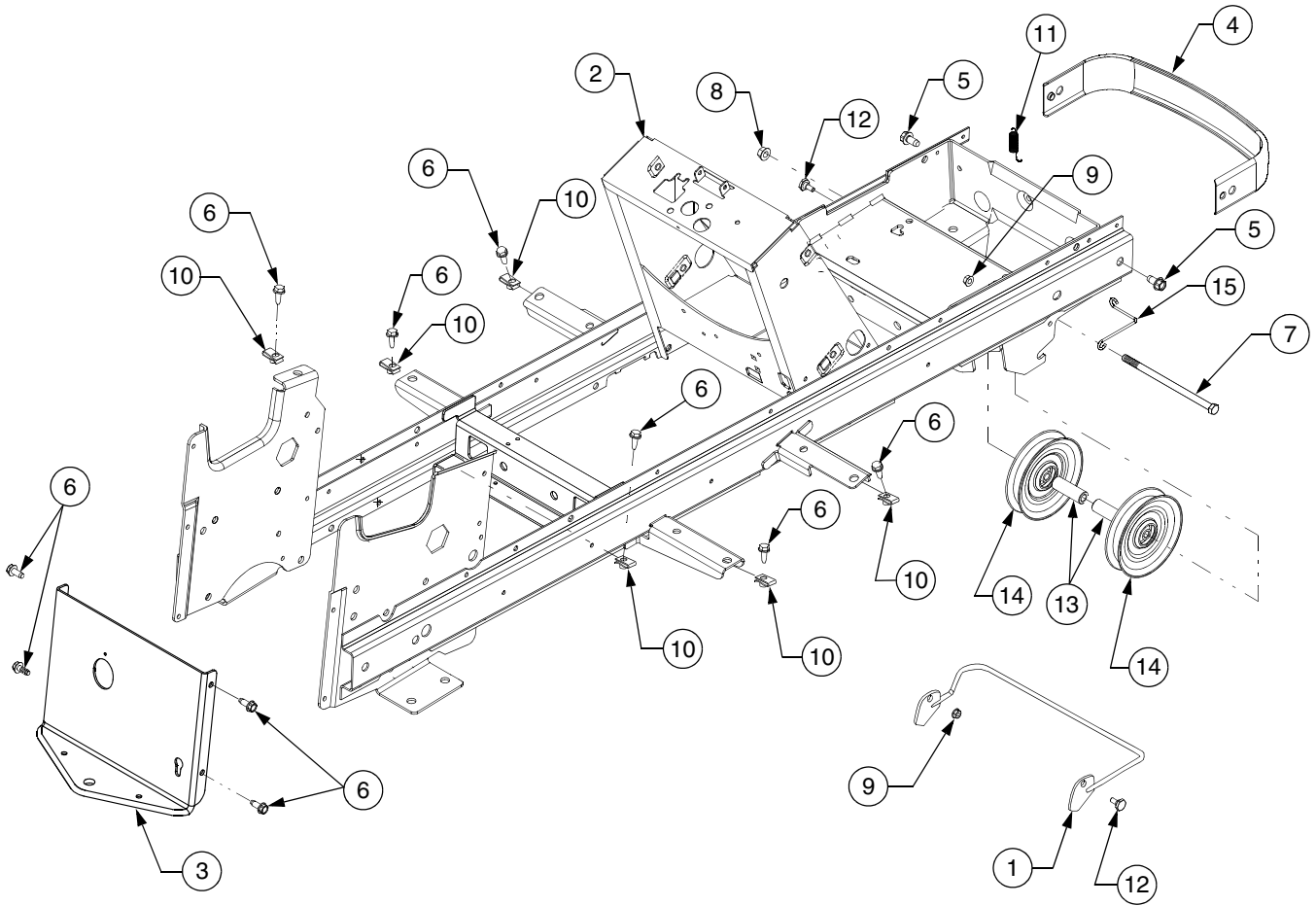


---

**BATTERY, ELECTRICAL COMPONENTS AND SWITCHES**

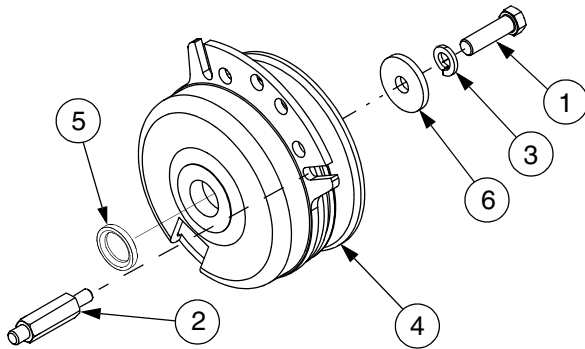
<b>REF. NO.</b>	<b>PART NUMBER</b>	<b>DESCRIPTION</b>	<b>QTY.</b>
1	629-04111	Wire Harness, Main	1
2	710-3015	Screw, Hex, 1/4-20 x .75 GR5	2
3	712-0271	Sems Nut	2
4	721-0342	Gasket, Silicone	1
5	723-04016	Strap, Battery Retainer	1
6	725-0157	Tie, Self-Clinch Cable	4
7	725-0340	Cover, Terminal Black	1
8	725-1648	Relay	1
9	925-1707D	Battery	1
10	725-2003	Receptacle, Power 12V	1
11	725-2054	Key, Ignition	2
12	725-3007A	Cover, Terminal Red	1
13	725-3164A	Switch, Interlock (Brake)	1
14	725-3167	Switch, Snap Mount (Reverse)	1
15	725-3233	Switch, PTO	1
16	725-3237	Cover, Terminal Red	1
17	725-3243	Fuse, 25 Amp	2
18	725-04008	Fuse, 5 Amp	1
19	725-04036A	Meter, Indicator / Hour	1
20	725-04040	Switch, Snap Mount (Seat)	1
21	725-04231	Switch, Key/Module	1
22	726-0154	Tie, Pushmount	9
23	726-0161	Clip, Wire	2
24	726-3055	Clip, Cable	9
25	783-0462	Bracket, PTO Switch Retainer	1

## FRAME AND DRAWBAR



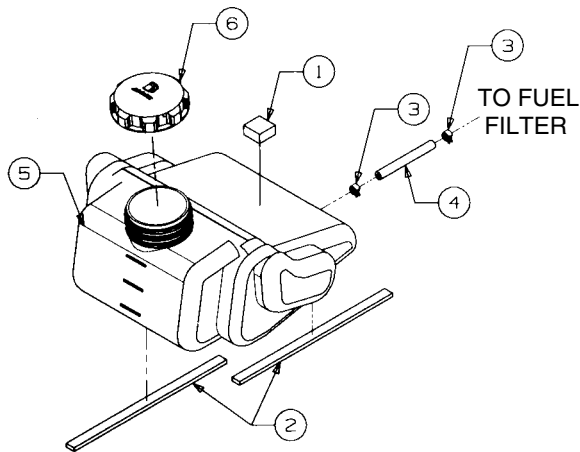
REF. NO.	PART NUMBER	DESCRIPTION	QTY.
1	603-04250	Rod, Quick Attach	1
2	603-04232	Frame	1
3	703-3453	Drawbar	1
	777I20773	Graphic, Transmission Release Lever	1
	777S30265	Graphic, Transmission Oil	1
4	703-05626	Bumper	1
5	710-0623	Screw, Hex Wsh Hd Tapp 3/8-16 x .75	2
6	710-1260A	Screw, Hex Wsh Hd Tap 5/16-18 x .75	10
7	710-3261	Screw, Hex Cap, 3/8-16 x 7.0	1
8	712-0431	Nut, Hex Flange Lock, 3/8-16	1
9	712-3027	Nut, Hex Flange Lock, 1/4-20	2
10	726-0211	U-Nut, 5/16-18	6
11	732-3002	Spring, Latch	1
12	738-0255	Bolt, Shoulder	2
13	750-04198	Spacer, Idler, .411 x .720 x 3.67	2
14	756-3045	Pulley, Idler	2
15	732-0970	Belt Guide	1

## PTO CLUTCH



REF. NO.	PART NUMBER	DESCRIPTION	QTY.
1	710-0757	Screw, Hex Cap, 7/16-20 x 1.5 GR5	1
2	711-1083	Stud, Clutch Stop	1
3	736-0171	Washer, Lock, 3/8	1
4	717-04180	Clutch Assy, PTO	1
5	750-3356	Spacer	1
6	736-3082A	Washer, Flat, .445 x 1.5 x 1.72 Hdn	1

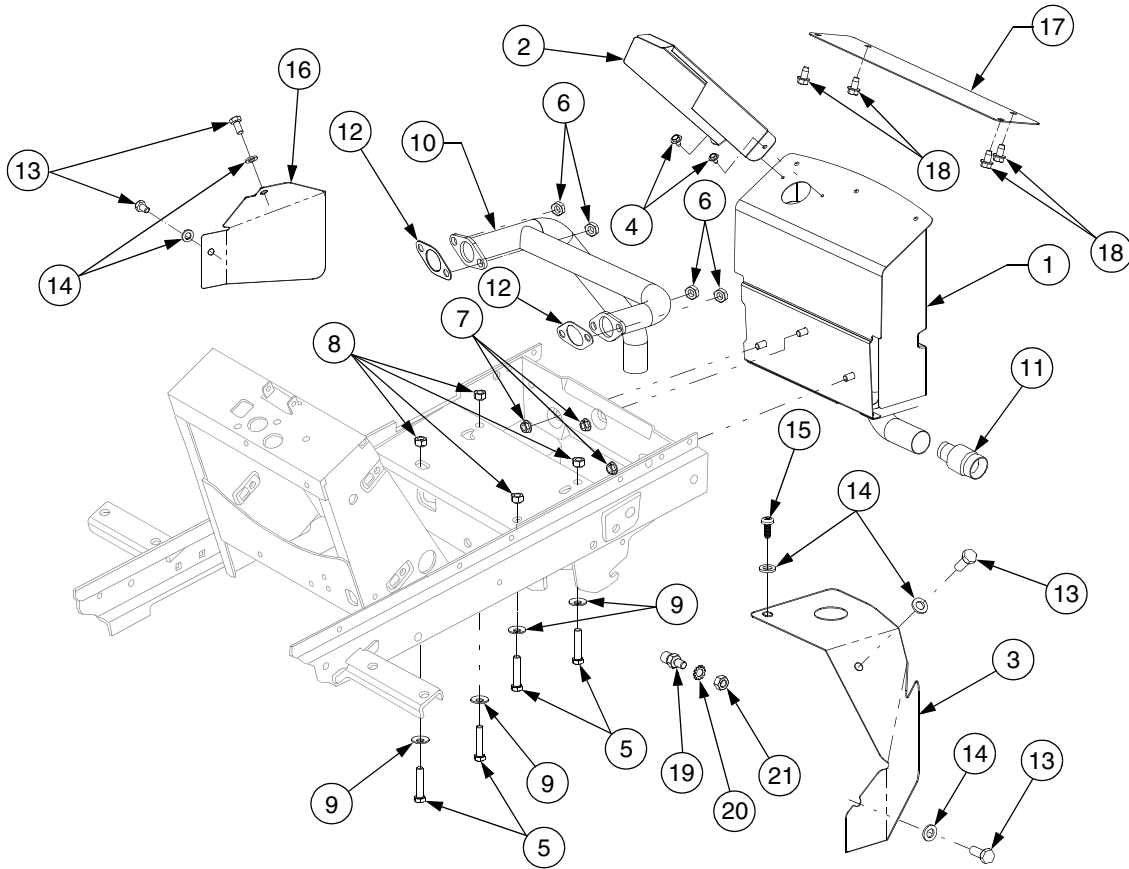
## FUEL TANK



REF. NO.	PART NUMBER	DESCRIPTION	QTY.
1	722-3020	Foam, 1.25 Sq x .62 Thk	AR
2	722-3022	Tape, Foam, .625 Wide x .25 Thk	AR
3	726-0205	Clamp, Hose	2
4	759-3330	Line, Fuel, 72" (Shipped In 10ft Length)	1
5	751-3112B	Tank, Fuel	1
6	751-3124B	Cap, Fuel	1
†	723-3066-24	Insulator, Foam Fuel Line	1

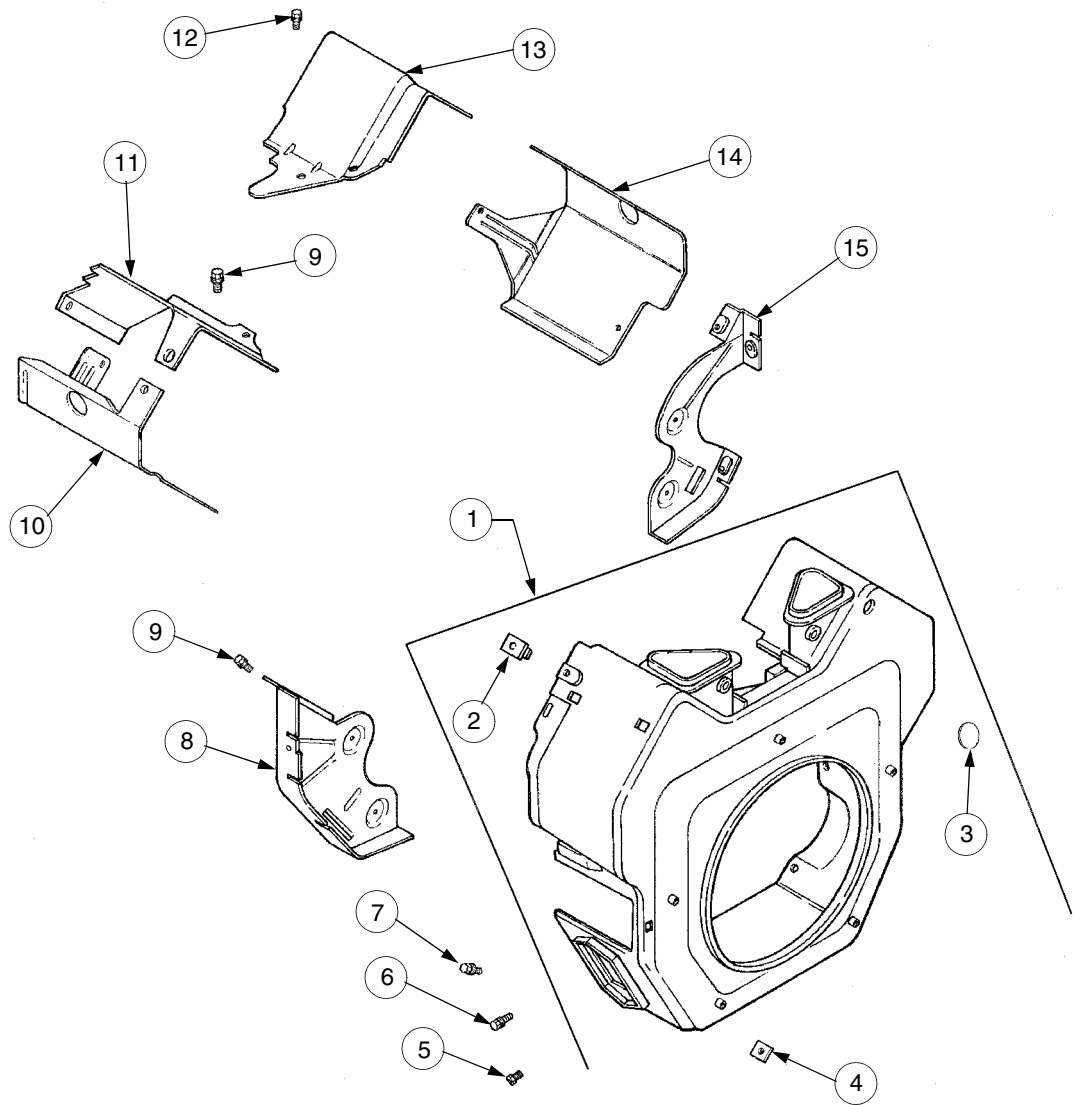
† Not Shown

## ENGINE MOUNTING AND MUFFLER



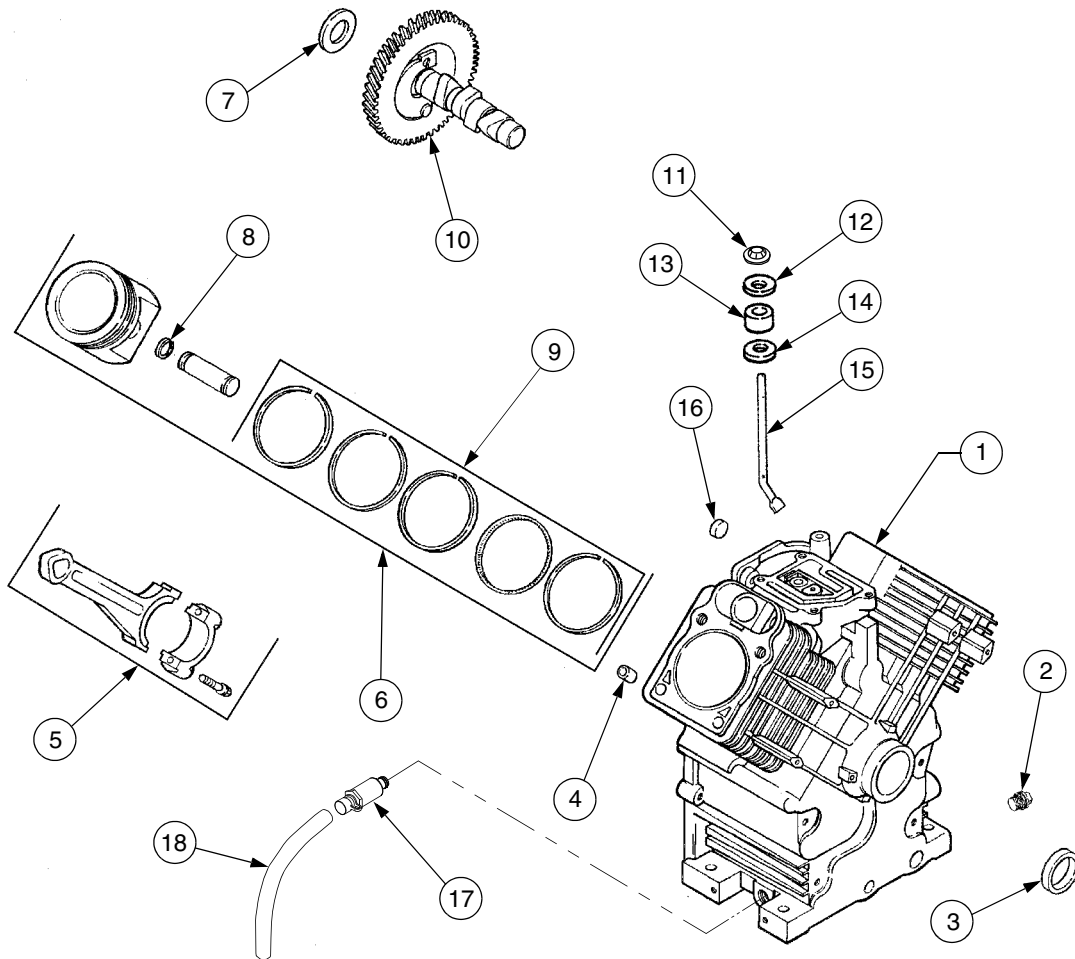
REF. NO.	PART NUMBER	DESCRIPTION	QTY.
1	651-3001	Muffler Assembly	1
2	703-3099A	Shield, Muffler Tube	1
3	703-2632	Baffle, RH Heat	1
4	710-1268	Screw, Hex Wsh Hd Tap, #10-16 x .38	2
5	710-0539	Bolt, Eng Mount, 3/8-24 x 1.75 GR5	4
6	KH-M-0841080	Nut, Hex Flange	4
7	712-3004A	Nut, Hex Flange Lock, 5/16-18	3
8	712-3054	Nut, Hex Lock, 3/8-24	4
9	736-0105	Washer, Bell, .380 x .88 x .062	4
10	751-10026	Tube, Exhaust	1
11	759-3744	Arrestor, Spark	1
12	KH-24-041-02	Gasket, Exhaust	2
13	710-3209	Screw, Hex Cap, M6 x 1 x 10	4
14	736-0142	Washer, Flat, .281 x .5 x .06	5
15	710-0351	Screw, Truss Hd Tapp, #10 x .5	1
16	703-2631	Baffle, LH Heat	1
17	703-05474	Deflector, Heat	1
18	710-0599	Screw, Hex Wsh Hd Tap, 1/4-20 x .5	4
19	711-1094	Stud, Gound	1
20	712-3010	Nut, Hex, 5/16 - 18 GR5	1
21	736-0607	Wash, Ext. Tooth Lock, 5/16	1

## BLOWER HOUSING AND BAFFLES



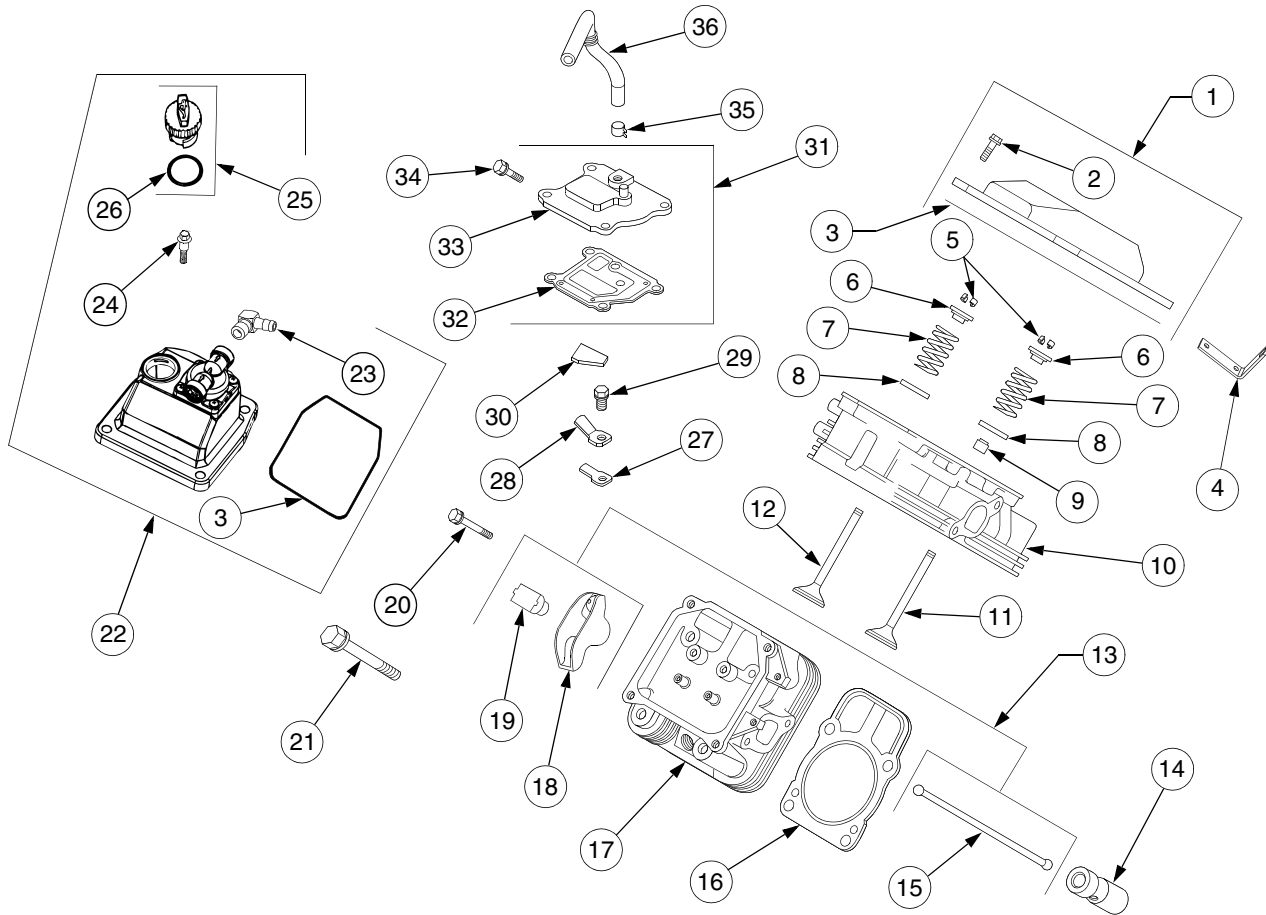
REF. NO.	PART NUMBER	DESCRIPTION	QTY.
1	KH-24-027-175-S	Housing, Blower (Incl. Ref #2-4)	1
2	KH-24-100-02	Nut, Plastic	2
3	KH-25-139-16	Plug, Button, 9/16	1
4	KH-24-100-01	Nut, Plastic	3
5	KH-M-0551016	Screw, Hex Flange, M5 x 0.8 x 16	1
6	KH-M-545016-S	Screw, Hex Flange, M5 x 0.8 x 16	3
7	KH-M-0545020	Screw, Hex Flange, M5 x 0.8 x 20	4
8	KH-24-146-16-S	Plate, Backing - #2 Side	1
9	KH-M-0645016	Screw, Hex Flange, M6 x 1.0 x 16	6
10	KH-24-063-20	Baffle, Cylinder Barrel - #2 Side	1
11	KH-24-063-70-S	Baffle, Valley - #2 Side	1
12	KH-M-0545010	Screw, Hex Flange, M5 x 0.8 x 10	2
13	KH-24-063-59-S	Baffle, Valley - #1 Side	1
14	KH-24-063-58-S	Baffle, Cylinder Barrel - #1 Side	1
15	KH-24-146-20-S	Plate, Backing - #1 Side	1

## CRANKCASE



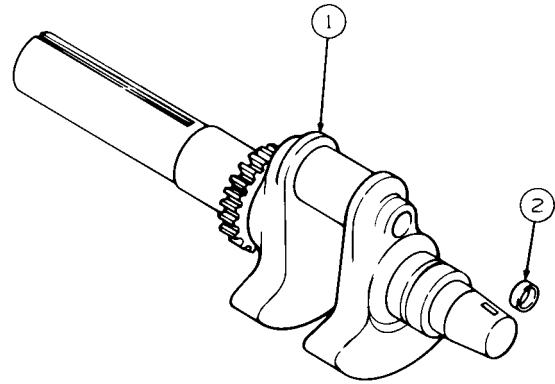
REF. NO.	PART NUMBER	DESCRIPTION	QTY.	REF. NO.	PART NUMBER	DESCRIPTION	QTY.
	KH-64638	Complete Engine	1	8	KH-24-018-01	Retainer, Piston Pin	4
	KH-24-522-180	Short Block	1	9	KH-24-108-11-S	Ring Set, Std., .08	2
1	KH-24-782-15	Crankcase, (Use Miniblock)	1		KH-24-108-12-S	Ring Set, .010 / .25mm	2
2	KH-25-139-57-S	Plug, Hex Hd, 3/8	1		KH-24-108-13-S	Ring Set, .020 / .50mm	2
3	KH-24-032-01	Seal, Front Oil	1	10	KH-24-012-10-S	Camshaft Assembly	1
4	KH-24-380-13-S	Pin, Locating Dowel	6	11	KH-24-018-09	Ring, Retainer	1
5	KH-24-067-13	Rod, Connecting, Std	2	12	KH-M-931010	Washer, Nylon	1
	KH-24-067-14	Rod, Connection, .010 / .25mm	2	13	KH-28-032-09	Seal, Governor Cross Shaft	1
6	KH-24-874-17-S	Piston w/Ring Set, Std	2	14	KH-24-468-15	Washer, Plain	1
	KH-24-874-18-S	Piston w/Ring Set, .010 / .25mm	2	15	KH-24-144-38	Shaft, Governor Cross	1
	KH-24-874-19-S	Piston w/Ring Set, .020 / .50mm	2	16	KH-52-139-09	Plug, Cup	1
	KH-24-874-14-S	Piston w/Ring Set, .08mm	2	17	751-3140	Drain, Oil	1
7	KH-12-422-09	Shim, Camshaft, .0320 (Red)	AR		751-3142	Cap	1
	KH-12-422-13	Shim, Camshaft, .0400 (Black)	AR	18	751-3141-12	Hose, Oil Drain	1
	KH-12-422-07	Shim, Camshaft, .0280 (White)	AR		KH-24-755-107-S	Gasket Set	1
	KH-12-422-08	Shim, Camshaft, .0300 (Blue)	AR				
	KH-12-422-10	Shim, Camshaft, .0340 (Yellow)	AR				
	KH-12-422-11	Shim, Camshaft, .0360 (Green)	AR				
	KH-12-422-12	Shim, Camshaft, .0380 (Gray)	AR				

## CYLINDER HEAD, VALVES AND BREATHER



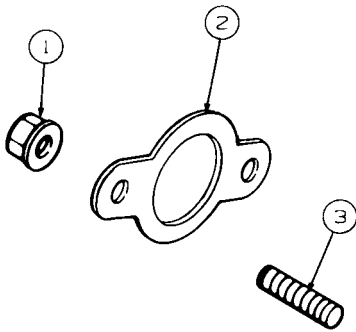
REF. NO.	PART NUMBER	DESCRIPTION	QTY.	REF. NO.	PART NUMBER	DESCRIPTION	QTY.
1	KH-24-755-141-S	Kit, Valve Cover (Includes 2-3)	1	18	KH-25-186-01	Arm, Rocker	4
2	KH-M-651030-S	Screw, Hex Flng, M6 x1.0 x 30	4	19	KH-24-599-01	Pivot, Rocker Arm	4
3	KH-24-153-28-S	O-Ring, Valve Cover	2	20	KH-M-640034-S	Screw, Hex Flng, M6 x 1.0 x 34	4
4	KH-24-445-01	Strap, Lifting	1	21	KH-12-086-16	Screw, Hex Flng, M10 x 1.5 x 90	8
5	KH-12-755-03	Kit, Retainer	4	22	KH-24-559-05-S	Kit, Fuel Pump Valve Cover	1
6	KH-12-173-01	Cap, Valve Spring	4	23	KH-24-294-11-S	Fitting, 90°	2
7	KH-24-089-02	Spring, Valve	4	24	KH-24-086-32	Screw, Shoulder	4
8	KH-235011	Retainer, Spring	4	25	KH-24-227-02	Cap Assembly, Oil Fill (Incl. 26)	1
9	KH-66-032-05	Seal, Valve Stem	2	26	KH-24-153-09	O-Ring	1
10	KH-24-318-68-S	Head Assembly, #1 Cylinder	1	27	KH-24-402-03	Reed, Breather	1
11	KH-24-017-01	Valve, Intake Std	2	28	KH-66-018-04-S	Retainer, Breather Reed	1
	KH-24-017-02	Valve, Intake, .25mm	2	29	KH-M-0545010	Screw, Hex Flng, M5 x 0.8 x 10	1
12	KH-24-016-01	Valve, Exhaust Std	2	30	KH-24-050-01	Filter, Breather	1
	KH-24-016-02	Valve, Exhaust, .25mm	2	31	KH-24-033-01	Kit, Breather (Includes 32-34)	1
13	KH-24-755-66	Kit, Valve Train (Incl. 15,18,19)	1	32	KH-24-041-51-S	Gasket, Breather	1
14	KH-25-351-01	Lifter, Valve	4	33	KH-24-096-86-S	Cover, Breather	1
15	KH-24-411-05	Rod, Push	4	34	KH-M-0645020	Screw, Hex Flng M6 x 1.0 x 20	4
16	KH-24-841-01-S	Kit, Cyl. Hd. Gasket (Includes 21)	2	35	KH-25-237-14-S	Clamp, Breather	1
17	KH-24-318-71-S	Head Assembly, #2 Cylinder	1	36	KH-24-326-26	Hose, Breather	1

## CRANKSHAFT



REF. NO.	PART NUMBER	DESCRIPTION	QTY.
1	KH-24-014-06	Crankshaft (Incl. Ref #2)	1
2	KH-52-139-09	Plug, Cup	1

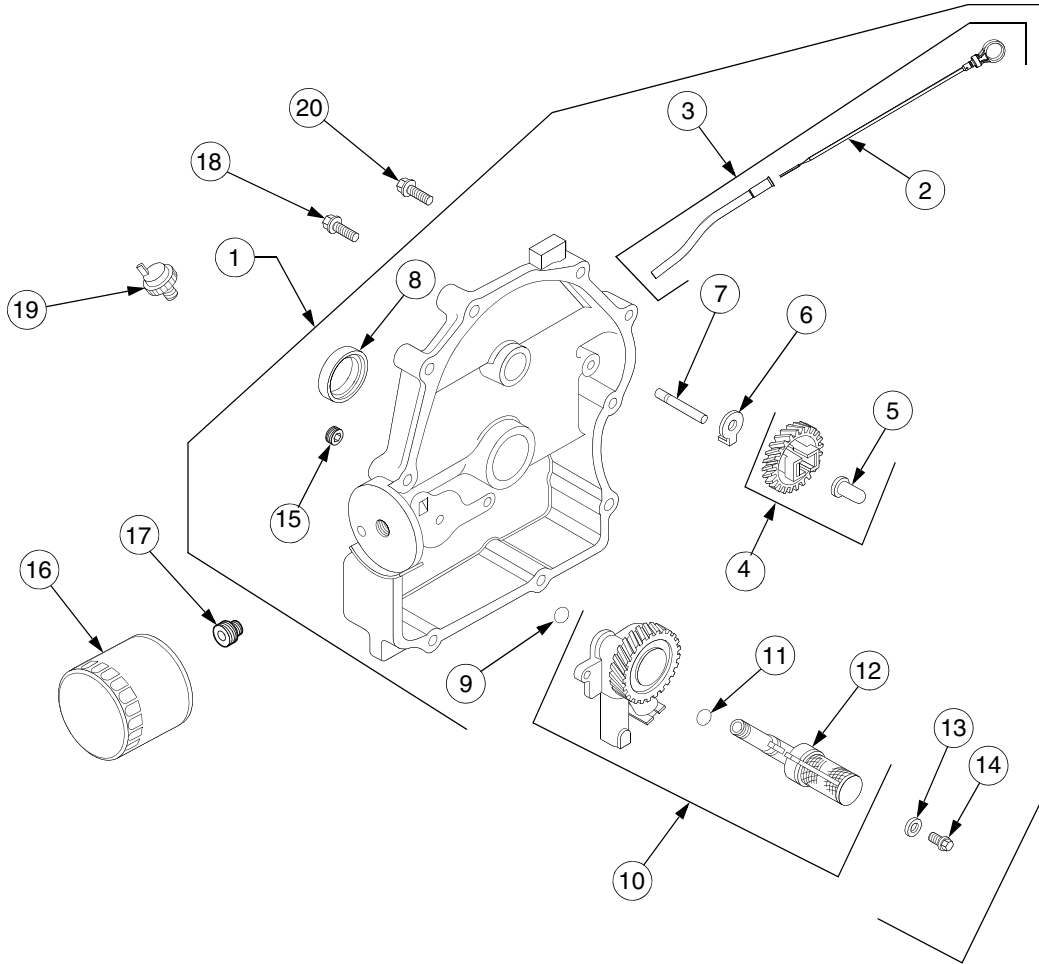
## EXHAUST



REF. NO.	PART NUMBER	DESCRIPTION	QTY.
1	712-3086	Nut, Muffler Mounting, M8 x 1.25	4
2	721-0377	Gasket, Exhaust	2
3	KH-25-072-04	Stud, Exhaust, M8 x 1.25 x 33	4

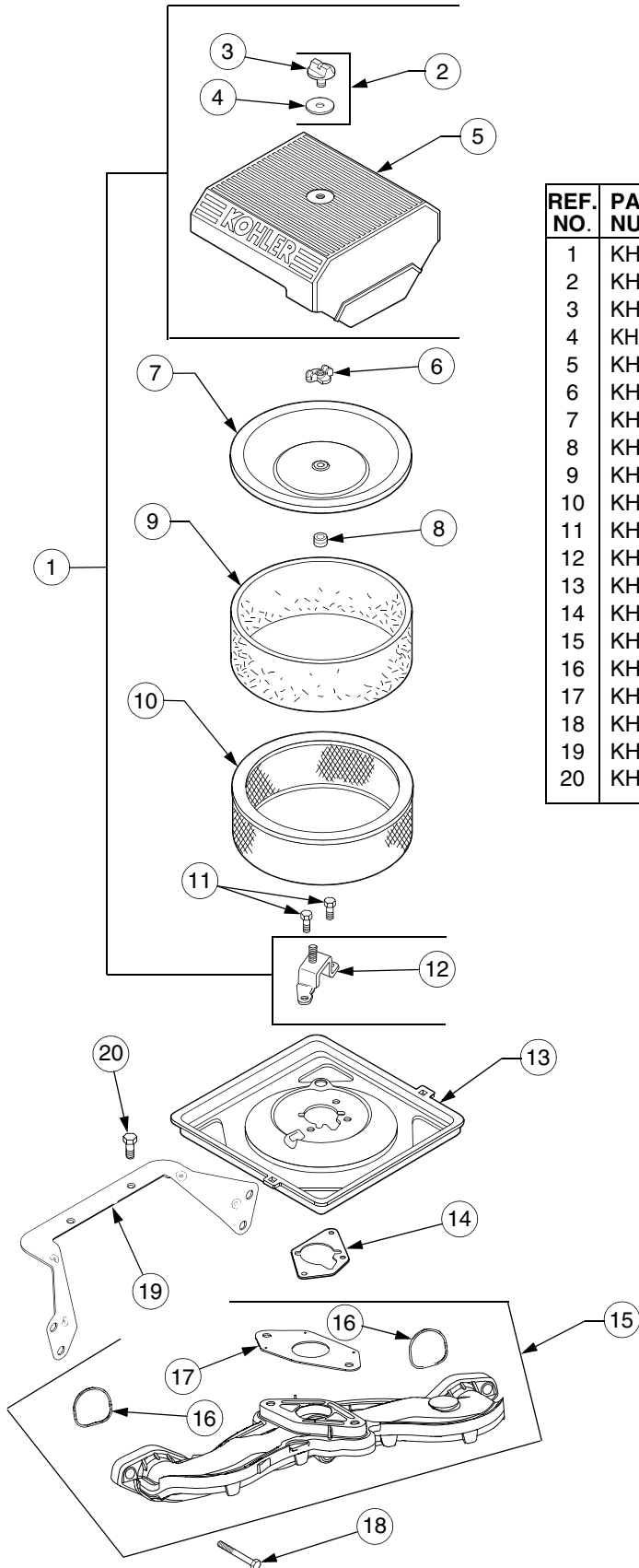


## OIL PAN AND LUBRICATION



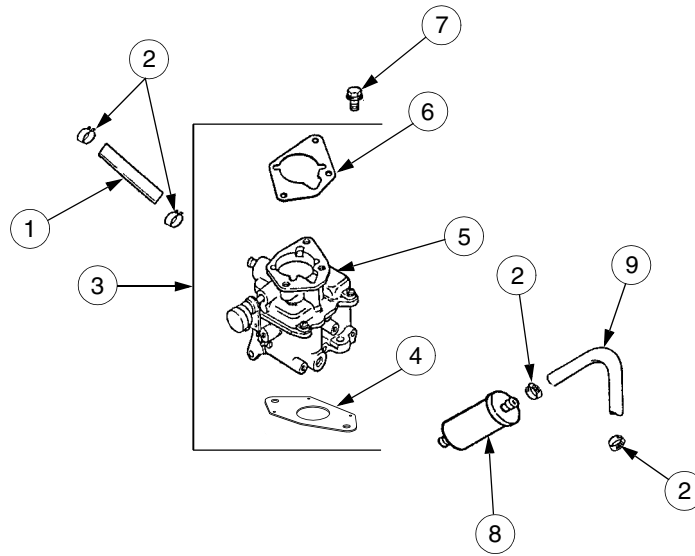
REF. NO.	PART NUMBER	DESCRIPTION	QTY.
1	KH-24-009-83-S	Plate, Closure Assembly ..... (Includes 2-15)	1
2	KH-24-038-10-S	Dipstick .....	1
3	KH-24-755-121-S	Tube, Dipstick (Includes 2) .....	1
4	KH-24-043-12	Kit, Governor Gear (Includes 5) ..	1
5	KH-12-380-01	Pin, Governor Regulating .....	1
6	KH-24-448-01-S	Tab, Locking .....	1
7	KH-12-144-02	Shaft, Governor Gear .....	1
8	KH-52-032-08	Seal, Oil (PTO End) .....	1
9	KH-24-153-08	O-Ring .....	1
10	KH-24-393-37-S	Oil Pump Assembly .....	1
		(Includes 11,12)	
11	KH-24-153-01	O-Ring, Oil Pick-Up .....	1
12	KH-24-381-04	Pick-Up, Oil .....	1
13	KH-M-0631005	Washer, Plain .....	2
14	KH-M-0645025	Screw, Hex Flange M6 x 1 x 25 ..	2
15	KH-25-139-60-S	Plug, Pipe 1/8" .....	2
16	KH-12-050-08	Filter, Oil .....	1
17	KH-24-136-01	Nipple, Oil Filter .....	1
18	KH-24-086-16	Screw, Hex Flange M8 x 1.25 x 45	9
19	KH-25-099-24	Switch, Pressure .....	1
20	KH-24-086-17	Screw, Hex Flange M8 x 1.25 x 45	1

## AIR INTAKE AND FILTRATION



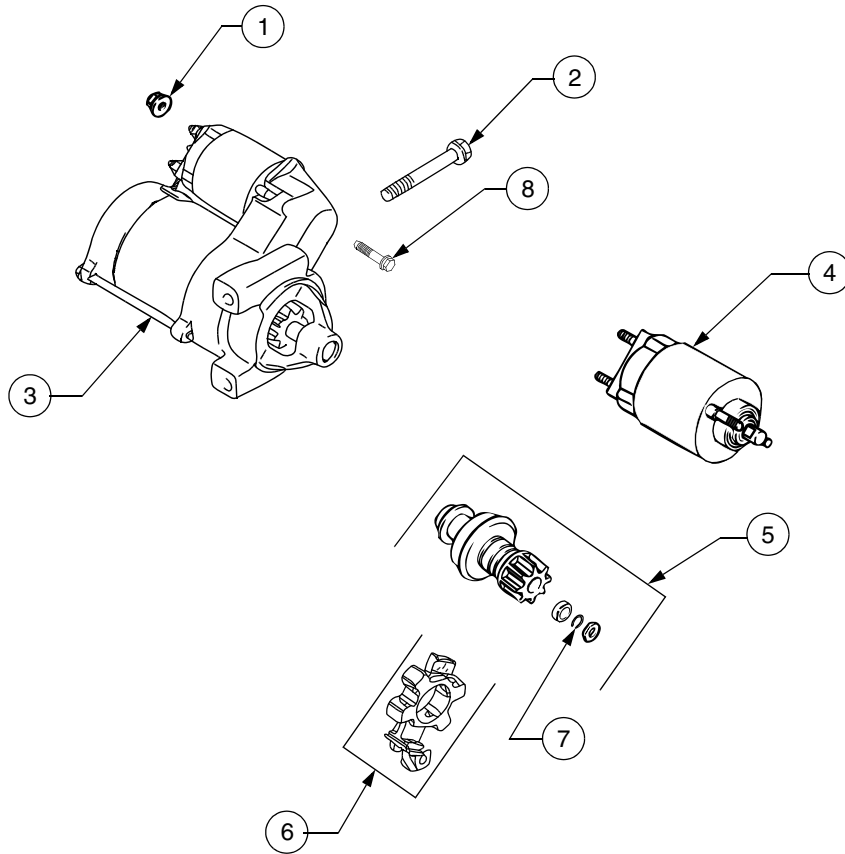
REF. NO.	PART NUMBER	DESCRIPTION	QTY.
1	KH-24-743-08	Kit, Air Cleaner Cover (Incl 2-5, 12)....	1
2	KH-54-755-01	Kit, Knob w/Seal (Incl. Ref #3,4) .....	1
3	KH-20-341-01-S	Knob, Cover .....	1
4	KH-24-153-20-S	Seal, Air Cleaner Cover Knob .....	1
5	KH-24-096-69-S	Cover, Air Cleaner .....	1
6	KH-12-100-01	Wing Nut .....	1
7	KH-24-096-01	Cover, Inner Air Cleaner .....	1
8	KH-24-032-03	Seal, Inner Air Cleaner .....	1
9	KH-24-083-02	Precleaner, Element .....	1
10	KH-47-083-03	Element, Air Cleaner .....	1
11	KH-24-086-53-S	Screw, Hex Flange, M6 x 1.0 x16 .....	3
12	KH-24-126-21	Bracket, Air Cleaner Base .....	1
13	KH-24-094-24-S	Base, Air Cleaner .....	1
14	KH-24-041-06	Gasket, Air Cleaner Base .....	1
15	KH-24-164-54-S	Manifold, Intake (Includes 16,17)	1
16	KH-24-153-27-S	O-Ring, Intake Manifold .....	2
17	KH-24-041-53-S	Gasket, Carburetor .....	1
18	KH-M-0651040-S	Screw, Hex Flange, M6 x 1.0 x 40 .....	4
19	KH-24-126-130-S	Bracket, Air Cleaner Base .....	1
20	KH-M-0545010	Screw, Hex Flng, M5 x 0.8 x 10 .....	2

## FUEL SYSTEM



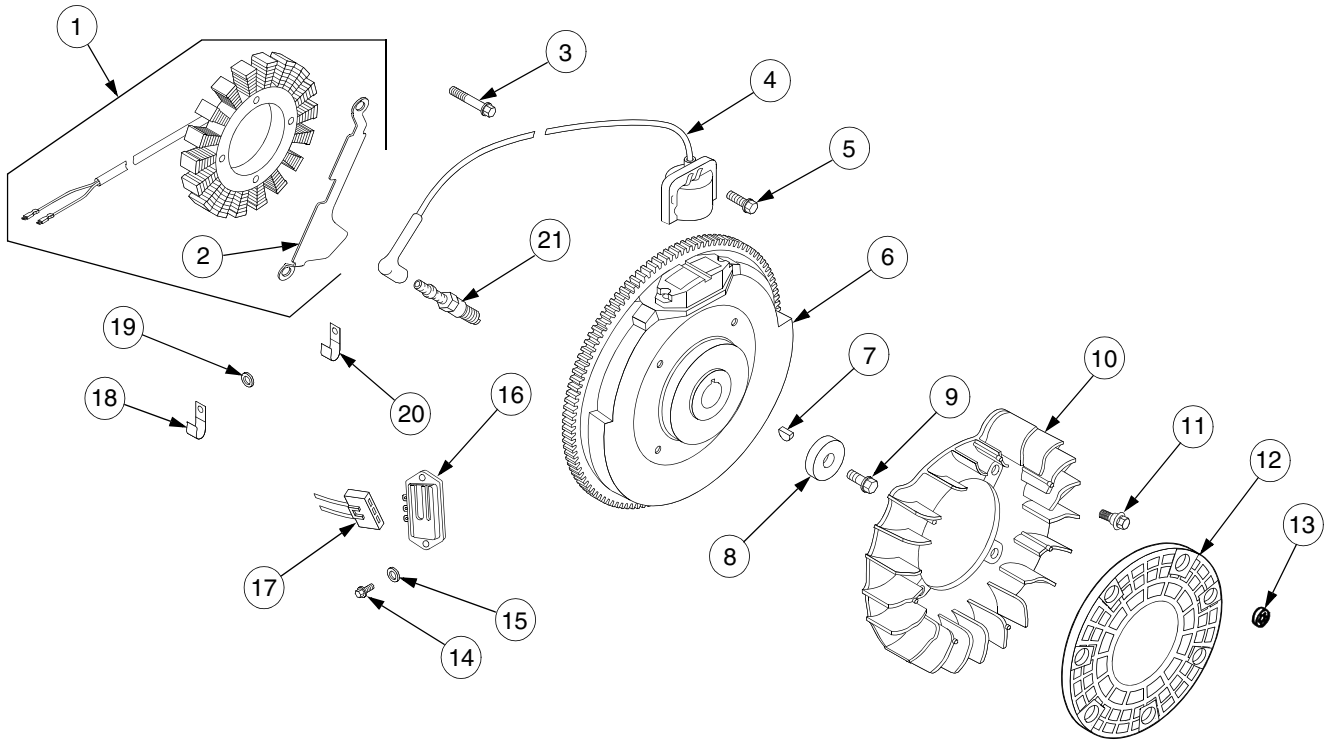
REF. NO.	PART NUMBER	DESCRIPTION	QTY.
1	KH-52-353-20	Line, Fuel 10"	2
2	KH-25-237-14-S	Clamp, Hose	4
3	KH-24-853-32	Kit, Carburetor w/Gasket (Includes 4-6)	1
4	KH-24-041-53-S	Gasket, Carburetor	1
5		Carburetor Assembly Not available separately	1
6	KH-24-041-06	Gasket, Air Cleaner Base	1
7	KH-M-651030-S	Screw, Hex Flange, M6 x 1.0 x 30	2
8	KH-24-050-02	Filter, Fuel	1
9	KH-24-353-12	Line, Fuel 11"	1
		<b>Not Illustrated</b>	
	723-3066-14	Insulator, Foam Fuel Line	1
	KH-24-518-24-S	Lead, Ground	1
	KH-24-757-01	Kit, Solenoid — Includes Solenoid Screw [qty. 2], O-Ring , O-Ring , O-Ring , Solenoid Assembly & Solenoid Seat.	1
	KH-24-757-02	Kit, Float Repair — Includes Carbu- retor Body Gasket, Float Screw, Float Assembly and Float Shaft.	1
	KH-24-757-03	Kit, Carburetor Repair — Includes Carburetor Gasket; Carburetor Body Screw; Idle Needle Spring; U-Ring; Slow Jet O-Ring; Main Jet Screw O-Ring; Solenoid O-Rings; Inlet Needle Valve Clip; Idle Nee- dle and Inlet Needle Valve.	1
	KH-24-757-07	Kit, Choke Repair — Includes Choke Plate Screws; Choke Spring; Choke Lever; Choke Shaft; Choke Plate; Choke Bush- ings; and Choke Lever Cap.	1
	KH-24-755-125-S	Kit, High Altitude	1

## ELECTRIC START



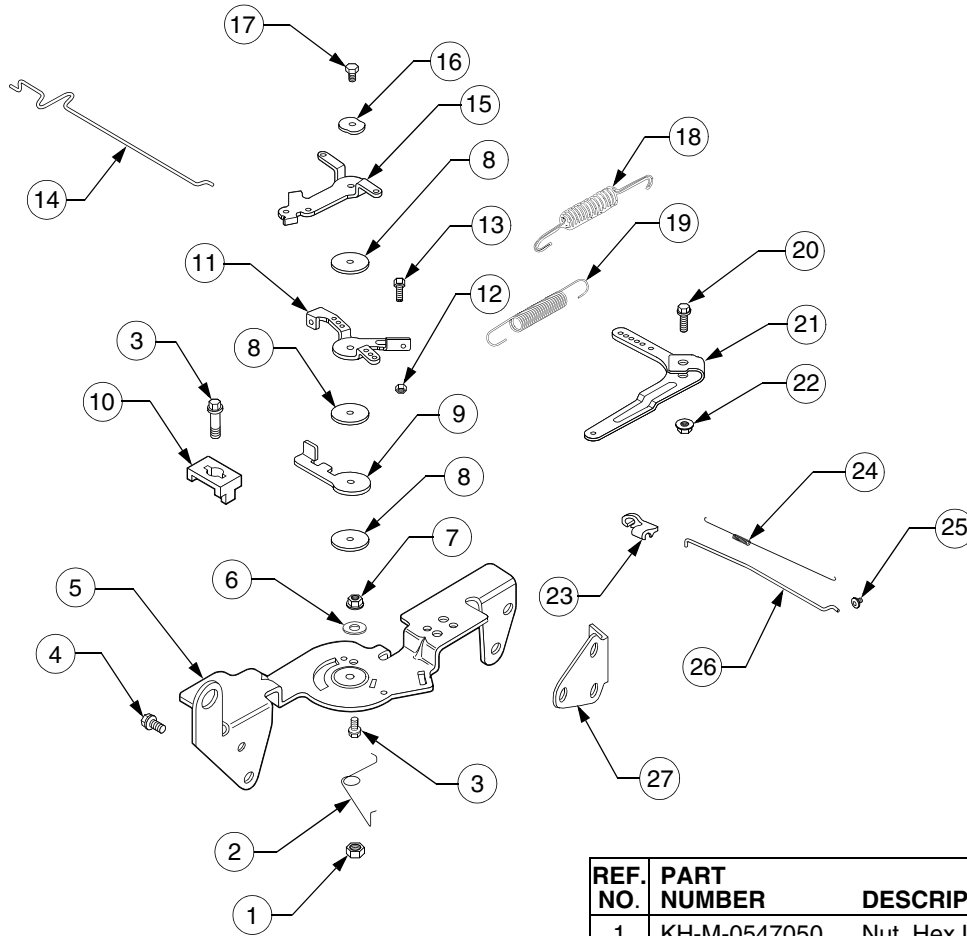
REF. NO.	PART NUMBER	DESCRIPTION	QTY.
1	KH-M-0841080	Nut, Hex Flange M8 x 1.25"	1
2	KH-M-839080	Screw, Hex Flange M8 x 1.25 x 80	2
3	KH-25-098-09-S	Starter, Solenoid Shift Assembly . (Includes 4-8)	1
4	KH-25-435-04-S	Kit, Solenoid	1
5	KH-25-755-33-S	Kit, Pinion Drive (Includes 6)	1
6	KH-25-221-01-S	Kit, Brush	1
7	KH-25-141-05-S	Ring, Retainer	1
8	KH-25-086-113-S	Screw, External Torx Hd.	3

## IGNITION, ELECTRICAL AND FLYWHEEL



REF. NO.	PART NUMBER	DESCRIPTION	QTY.
1	KH-54-755-09	Stator Kit, 15 Amp (Incl. Ref #22)	1
2	KH-24-126-139-S	Bracket, Stator Wire	1
3	KH-M-0548025	Screw, Stator Mtg. M5 x .8 x 25	2
4	KH-24-584-01-S	Module, Ignition	2
5	KH-M-545020-S	Screw, Module M5 x .8 x 20	4
6	KH-24-025-04	Flywheel Assembly	1
7	KH-X-42-15	Key	1
8	KH-12-468-03	Washer, Flywheel Mtg. Screw	1
9	KH-12-086-14	Screw, Flywheel Mtg, M10x1.5 x 46	1
10	KH-24-157-01	Fan	1
11	KH-25-086-47	Bolt, Shoulder	4
12	KH-24-162-02	Screen, Grass	1
13	KH-24-018-03	Retainer	3
14	KH-24-086-18	Screw Phillips Hd., #11-16 x .875	2
15	KH-X-25-92	Washer, Plain	2
16	KH-41-403-09-S	Regulator - Rectifier	1
17	KH-236602	Connector, Regulator-Rectifier	1
18	KH-235173	Clip, Cable	1
19	KH-X-25-63	Washer, Plain 1/4"	1
20	KH-48-154-02	Clip, Cable	1
21	759-3336	Spark Plug	2
	KH-24-176-08	Harness, Wire	1
	KH-24-126-137-S	Bracket, Ground Strap	1
	KH-25-086-91-S	Screw, Tapping	2
	KH-24-454-03-S	Tie, Wire	2
	KH-25-468-07-S	Washer, Flat	1

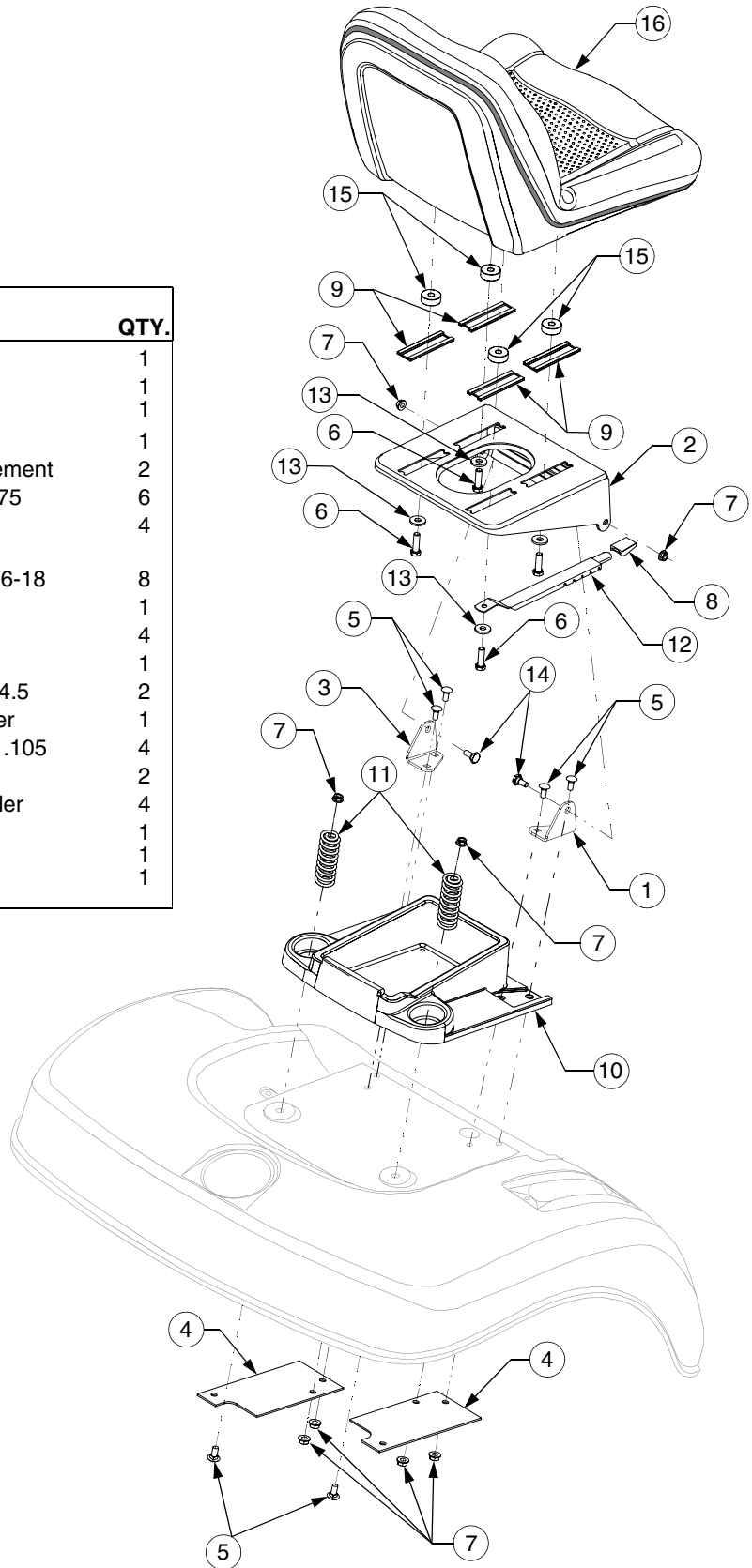
## ENGINE CONTROLS



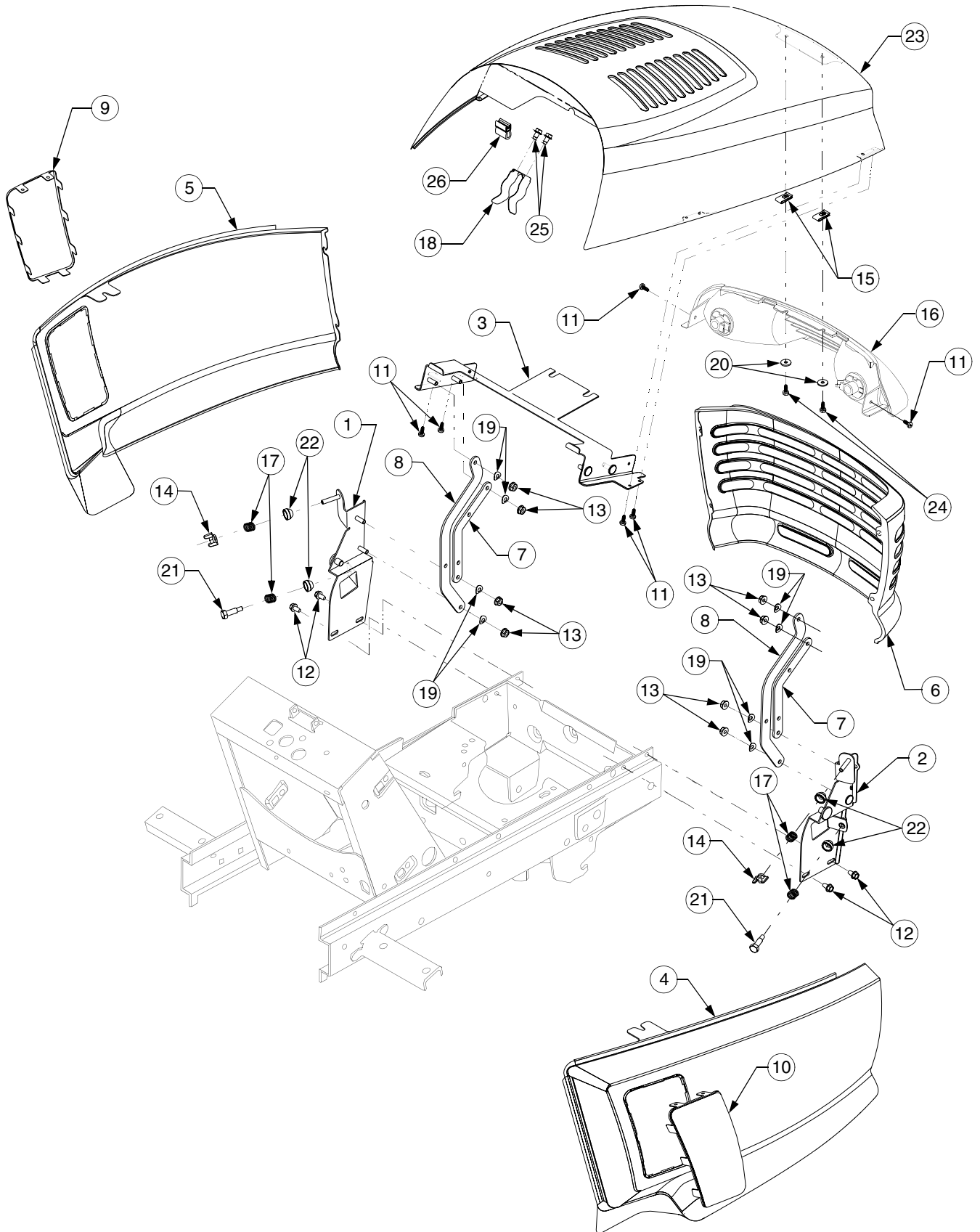
REF. NO.	PART NUMBER	DESCRIPTION	QTY.
1	KH-M-0547050	Nut, Hex Lock M5 x 0.8 .....	1
2	KH-24-089-03	Spring, Choke Return .....	1
3	KH-M-545016-S	Screw, Hex Flange M5 x 0.8 x 16	3
4	KH-M-645016-S	Screw, Hex Flange M6 x 1.0 x 16	4
5	KH-24-126-56	Bracket, Control .....	1
6	KH-X-20-1-S	Washer, Lock .....	1
7	KH-M-541050-S	Nut, Hex Flange .....	1
8	KH-24-468-01	Washer, Plain 5.5mm .....	3
9	KH-24-090-07	Lever, Throttle Actuator .....	1
10	KH-12-237-01	Clamp, Cable .....	2
11	KH-24-090-13	Lever, Throttle Control .....	1
12	KH-M-446030-S	Nut, Hex M4 x 0.7 .....	1
13	KH-M-401030-S	Screw, Hex Cap M4 x 0.7 x30 ....	1
14	KH-24-079-21-S	Linkage, Choke .....	1
15	KH-24-090-05	Lever, Choke .....	1
16	KH-41-468-03	Washer, Spring 1/4" .....	1
17	KH-M-0545020	Screw, Hex Flange M5 x 0.8 x 20	1
18	KH-24-089-51-S	Spring, Throttle Limiter .....	1
19	KH-24-089-48-S	Spring, Governor .....	1
20	KH-24-211-03-S	Screw, Round Hd. Square Neck	1
21	KH-24-090-33-S	Lever, Governor .....	1
22	KH-M-0641060	Nut, Hex Flange M6 x 1.0 .....	1
23	KH-25-158-08	Bushing, Linkage Retaining .....	1
24	KH-24-089-01	Spring, Linkage .....	1
25	KH-25-158-11	Bushing, Linkage Retaining .....	1
26	KH-24-079-01	Linkage, Throttle .....	1
27	KH-24-126-04	Bracket, Support	2

## SEAT AND SUPPORT

REF. NO.	PART NUMBER	DESCRIPTION	QTY.
1	703-05576	Bracket, RH Seat Pivot	1
2	703-2395B 777120310	Seat, Base Graphic, Seat Adjuster	1
3	703-05555	Bracket, LH Seat Pivot	1
4	703-2628	Bracket, Fender Reinforcement	2
5	710-0451	Bolt, Carriage, 5/16-18 x .75	6
6	710-3120	Screw, Hx Cap Lock, 3/8-16 x 1.5 GR5	4
7	712-04054	Nut, Hex Flange Lock, 5/16-18	8
8	720-0426	Knob, Seat Adjuster	1
9	731-3154	Slide, Seat	4
10	731-3162	Tray, Tool	1
11	732-04251	Spring, Comp, 1.28 OD x 4.5	2
12	732-04100	Index Spring, Seat Adjuster	1
13	736-3052	Washer, Flat, .406 x 1.0 x .105	4
14	738-0140	Bolt, Shoulder	2
15	738-04013A	Spacer, Seat Slide Shoulder	4
16	757-04030 777D06883 777D01782	Seat, High Back Graphic, Seat Back Graphic, Made in USA	1 1 1



# GRILLE, HOOD AND SIDE PANELS

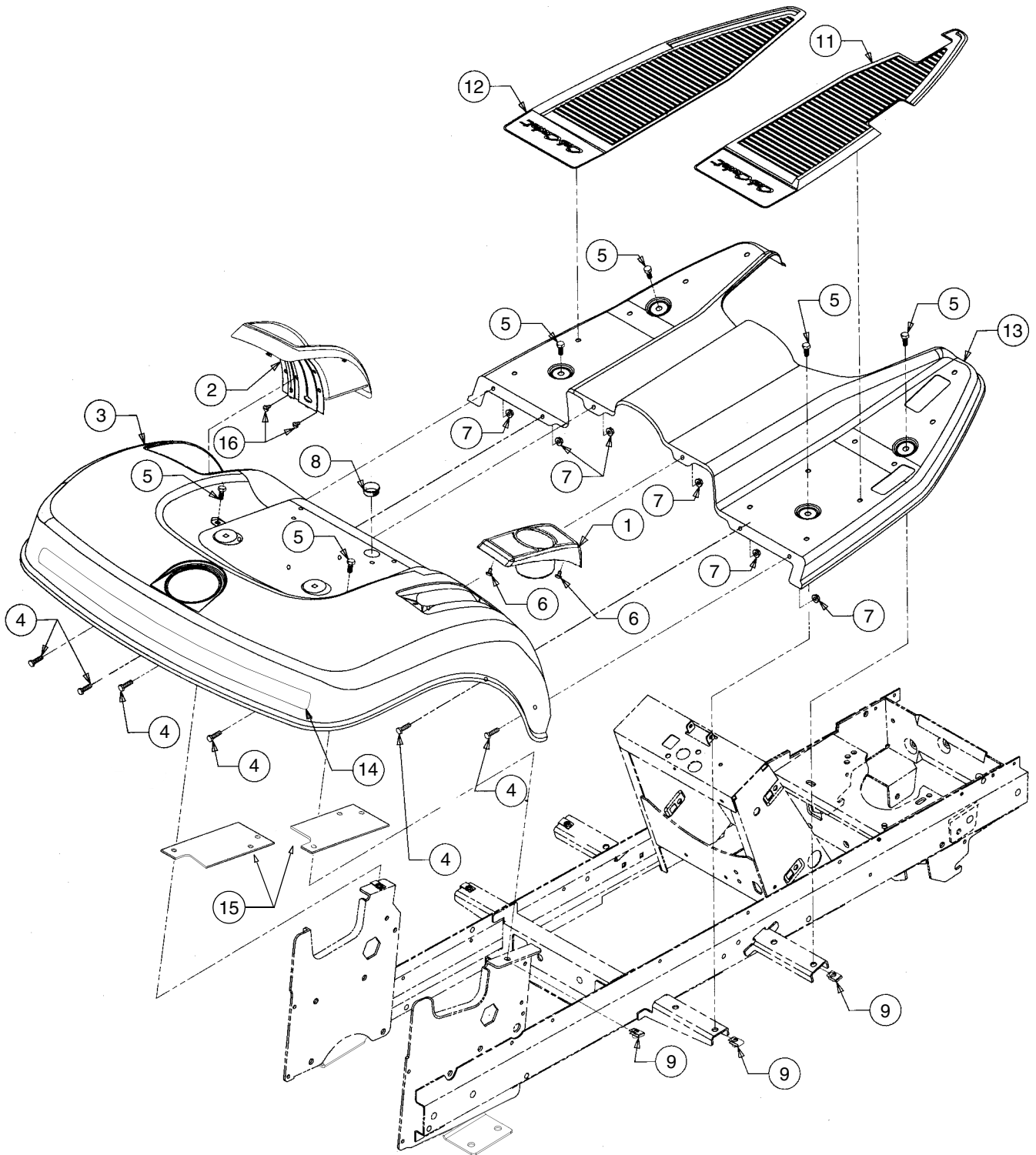




**GRILLE, HOOD AND SIDE PANELS**

<b>REF. NO.</b>	<b>PART NUMBER</b>	<b>DESCRIPTION</b>	<b>QTY.</b>
1	603-0211	Bracket, Grille LH	1
2	603-0212	Bracket, Grille RH	1
3	603-04191	Bracket, Upper Hood	1
4	703-2396	Panel, RH Side	1
	777D08639	Graphic, GT 2544	1
	777X40079	Strip, Protective	1
5	703-2397	Panel, LH Side	1
	777D08639	Graphic, GT 2544	1
	777X40079	Strip, Protective	1
6	703-2398	Grille	1
	777I20314	Graphic, Warning HOT	1
7	703-2465	Link, Short Hood	2
8	703-2466A	Link, Long Hood	2
9	703-2495	Screen, LH Panel	1
10	703-2496	Screen, RH Panel	1
11	710-0351	Screw, Truss Mach Tapp, #10 x .50	6
12	710-0599	Screw, Hex Wash Hd Tapp, 1/4 x .50	4
13	712-3027	Nut, Hex Flange Lock, 1/4-20	8
14	712-0397	Nut, Wing, 1/4-20	2
15	726-0139	Nut, U-Type Speed, #10	2
16	625-04001A	Headlight Assy (Includes Lamp and Socket)	1
	725-0963	Lamp, 12V	2
	725-1649	Socket, Lamp	2
	777X41348	Reflector, Headlight	1
17	732-0334	Spring, Compression, .50 OD x .50	4
18	732-1178	Spring, Hood Latch	1
19	736-0175	Washer, Spring, .265 x .562 x .025	8
20	736-0400	Washer, Flat, .218 x .62 x .063	2
21	738-3141	Bolt, Shoulder, .31 Dia x .75 Lg	2
22	748-3055	Bushing, Tapered	4
23	959-3747B	Hood, Series 2000	1
	777D08229	Graphic, Hood - RH	1
	777D08230	Graphic, Hood - LH	1
24	710-0436	Screw, Hex Tapp, 10-16 x .625	2
25	710-1005	Screw, Hex Wash Hd Tapp, 1/4-14 x .5	2
26	723-3061-19	Seal, Heat Baffle	34in

# FENDER AND RUNNING BOARD



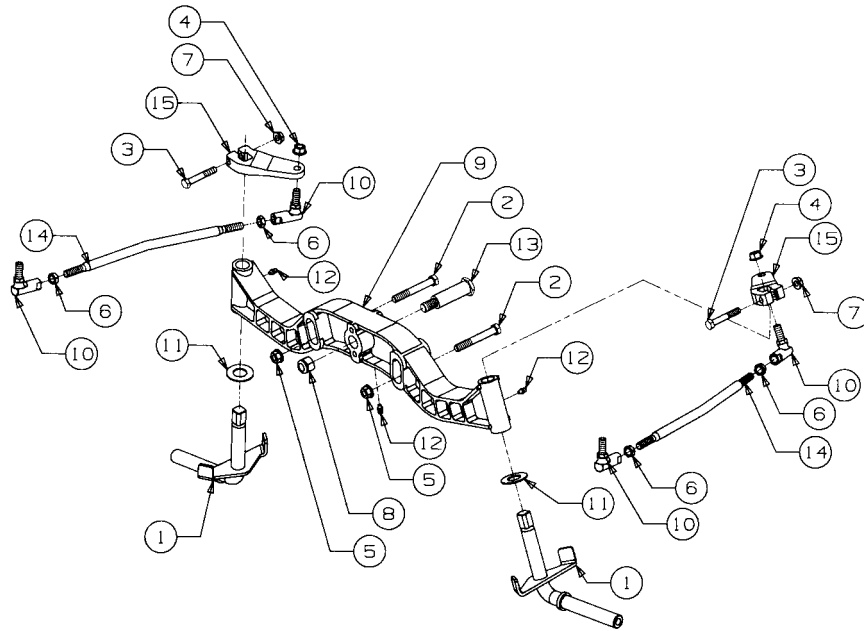
---

**FENDER AND RUNNING BOARD**

<b>REF. NO.</b>	<b>PART NUMBER</b>	<b>DESCRIPTION</b>	<b>QTY.</b>
1	731-3212A	Cup Holder	1
2	631-3002	Cover, Implement Lift	1
3	703-05570	Fender	1
	777D08642	Graphic, LH Reflector	1
	777D08643	Graphic, RH Reflector	1
4	710-0751	Screw, Hex Cap, 1/4-20 x .62 GR5	6
5	710-1260A	Screw, Hex Wash Hd Tapp 5/16-18 x .750	6
6	710-1268	Screw, Hex Tapp, #10 x .38 Lg	2
7	712-3027	Nut, Hex Flange Lock, 1/4-20	6
8	723-3042	Bushing, Snap, 7/8 ID	1
9	726-0211	U-Nut, 5/16-18	6
11	735-3046A	Pad, RH Foot	1
12	735-3047	Pad, LH Foot	1
13	703-2279	Running Board w/Graphic	1
	777S30170	Graphic, Warning	1
	777S32494	Graphic, Danger	1
14	777D08321	Graphic, Rear Fender	1
15	703-2628	Bracket, Fender Reinforcement	2
16	710-0224	Screw, Hex Tapp, #10-16 x .5 Lg.	4

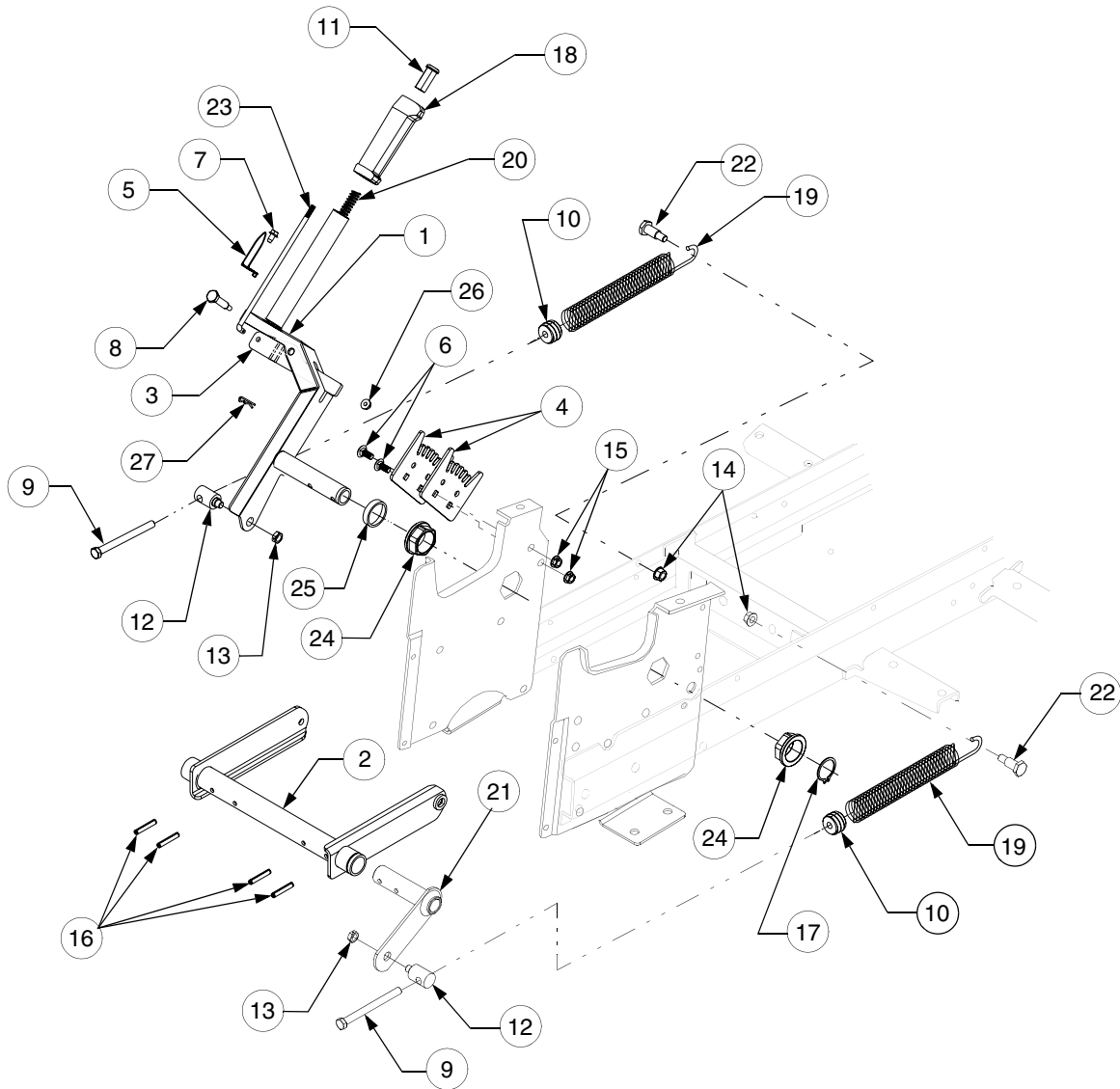
---

## FRONT AXLE AND CONNECTIONS



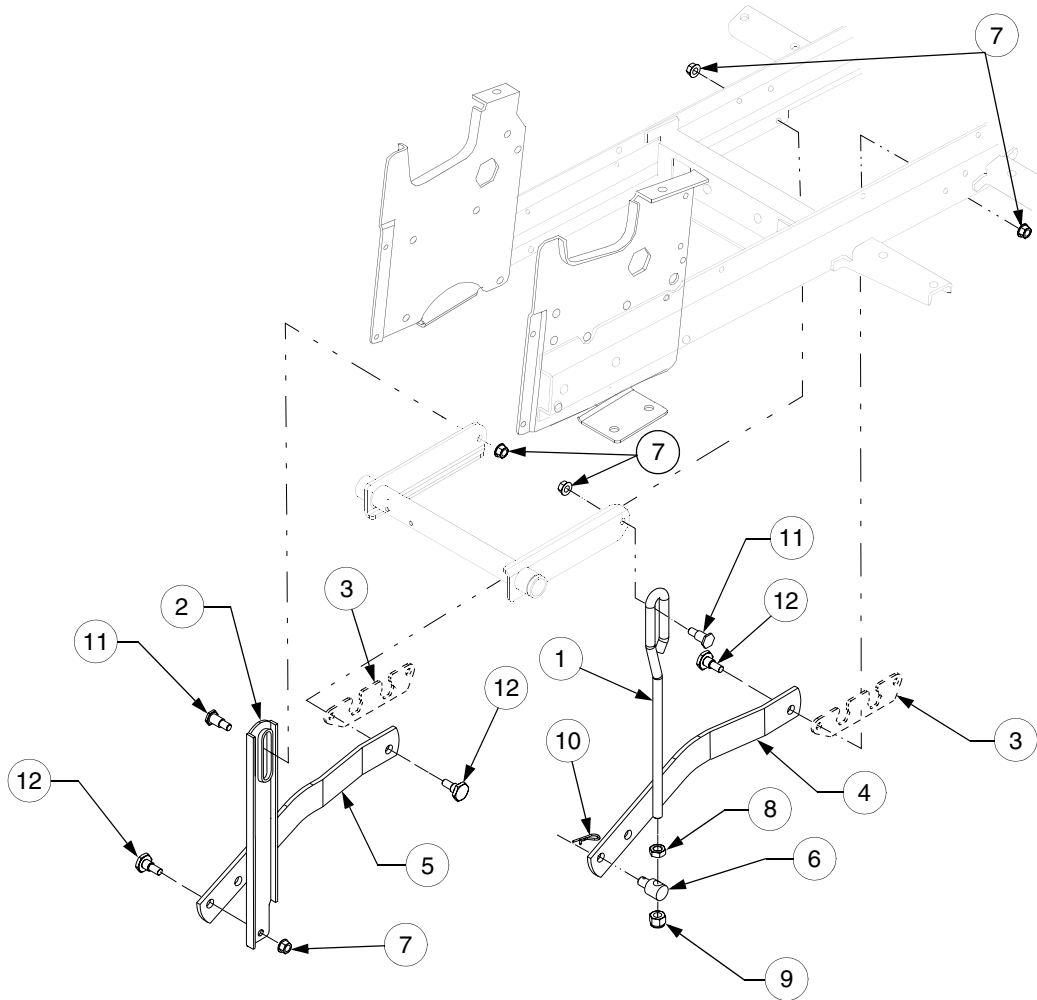
REF. NO.	PART NUMBER	DESCRIPTION	QTY.
1	603-0066	Knuckle Assembly, Steering	2
2	710-3066	Screw, Hex Cap, 3/8-16 x 2.75 GR8	2
3	710-3103	Screw, Hex Cap, 5/16-18 x 2 GR5	2
4	712-3054	Nut, Hex Lock, 3/8-24 GR5	2
5	712-0431	Nut, Hex Flanged Lock, 3/8-16	2
6	712-0711	Nut, Hex Jam, 3/8-24 GR2	4
7	712-3004A	Nut, Hex Flange Top Lock, 5/16-18	2
8	712-3083	Nut, Hex Top Nylon Lock, 1/2-13	1
9	719-3095	Axle, Front Pivot	1
10	723-0156	Joint, Ball, 3/8-24	4
11	736-0188	Washer, Flat, .760 x 1.49 x .06 Thk.	2
12	737-3000	Fitting, Lube, 3/16 Drive Type	3
13	738-3110	Bolt, Pivot Shoulder, 3/4 Dia x 2.23	1
14	747-3171	Rod, Tie	2
15	748-3049	Arm, Steering	2

### IMPLEMENT LIFT HANDLE



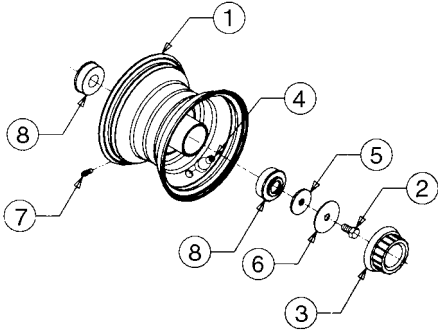
REF. NO.	PART NUMBER	DESCRIPTION	QTY.	REF. NO.	PART NUMBER	DESCRIPTION	QTY.
1	603-04141	Handle Assembly, Lift	1	14	712-0431	Nut, Hex Flanged Lock, 3/8-16	2
2	603-04140	Shaft Assembly, Lift	1	15	712-3004A	Nut, Hex Flanged Top Lock, 5/16-18	2
3	703-05247	Fork, Lift	1	16	715-0114	Pin, Spiral Spring, 1/4 Dia x 1.5	4
4	703-2239A	Bracket, Lift Index	2	17	716-0116	Ring, Snap, 1.25 Dia Shaft	1
5	703-2558	Indicator, Lift Height	1	18	731-3158	Grip, Lift Handle	1
6	710-0451	Bolt, Carriage, 5/16-18 x .75	2	19	732-3093	Spring, Extension	2
7	710-0599	Screw, Hex Wash Tapp, 1/4 x .5	1	20	732-3097	Spring, Compression	1
8	738-0560	Screw, Shoulder, .374 x 1.375	1	21	603-04139	Arm, Lift Assist RH	1
9	710-3279	Screw, Hex Cap, 3/8-16 x 4.25 GR5	2	22	738-0145	Bolt, Shoulder	2
10	711-0635	Insert, Spring	2	23	747-3175A	Rod, Index	1
11	711-0642A	Button, Handle	1	24	748-3051	Bearing, Hex Flange, 1.25 ID	2
12	711-3350	Ferrule, Adjustment	2	25	750-3131	Spacer, 1.28 ID x 1.5 OD x .335 Lg	1
13	712-0262	Nut, Hex Center Lock, Jam, 3/8-24	2	26	712-3027	Nut, Hex Flange Lock, 1/4-20	1
				27	714-0104	Pin, Internal Cotter	1

## IMPLEMENT LIFT HANGER



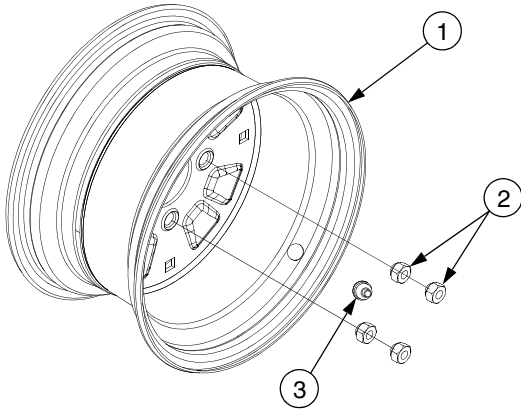
REF. NO.	PART NUMBER	DESCRIPTION	QTY.
1	747-04196	Rod, Lift Link	1
2	703-2234	Bracket, LH Hanger	1
3	703-2804	Plate, Bearing Mounting	2
4	703-2832	Link, RH Lift	1
5	703-2833	Link, LH Lift	1
6	711-3319	Ferrule, Adjustment	1
7	712-0431	Nut, Hex Flange Lock, 3/8-16	5
8	712-3048	Nut, Hex Jam, 1/2-13 GR5	1
9	712-3083	Nut, Hex Insert Lock, 1/2-13	1
10	714-0145	Pin, Internal Cotter	1
11	738-0430	Bolt, Shoulder	2
12	738-0507B	Bolt, Shoulder	3

## FRONT WHEEL



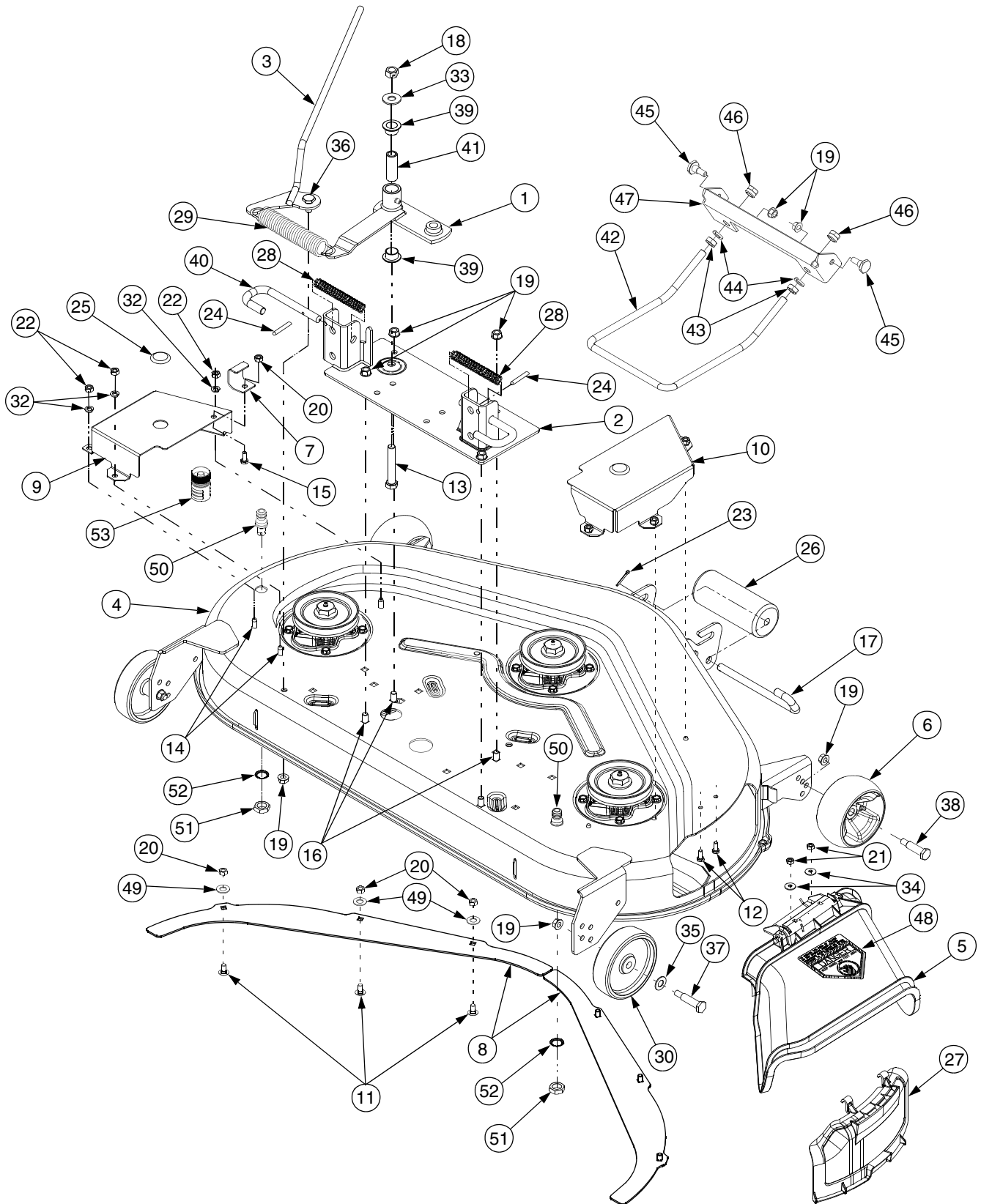
REF. NO.	PART NUMBER	DESCRIPTION	QTY.
	734-3187	Tire, Cub Tread, 16 x 6.5 x 8	2
1	634-3016	Rim Assy, Front	2
2	710-3119	Bolt, Hex Patch, 3/8-16 x .75 GR5	2
3	731-3020	Cap, Hub	2
4	734-0255	Valve, Tubeless Air	2
5	736-3039	Washer, Flat, .406 x 1.5 x .110	2
6	736-3040	Washer, Flat, .406 x 1.92 x .06	2
7	737-0224	Fitting, Grease	2
8	741-3032	Bearing, Ball	4

## REAR WHEEL



REF. NO.	PART NUMBER	DESCRIPTION	QTY.
	734-3190	Tire, Cub Tread, 23 x 9.5 x 12	2
1	634-3189	Rim Assy, Rear	2
2	712-3050	Nut, Lug, 7/16-14	8
3	734-0255	Valve, Tubeless Air	2

# 44" DECK ASSEMBLY

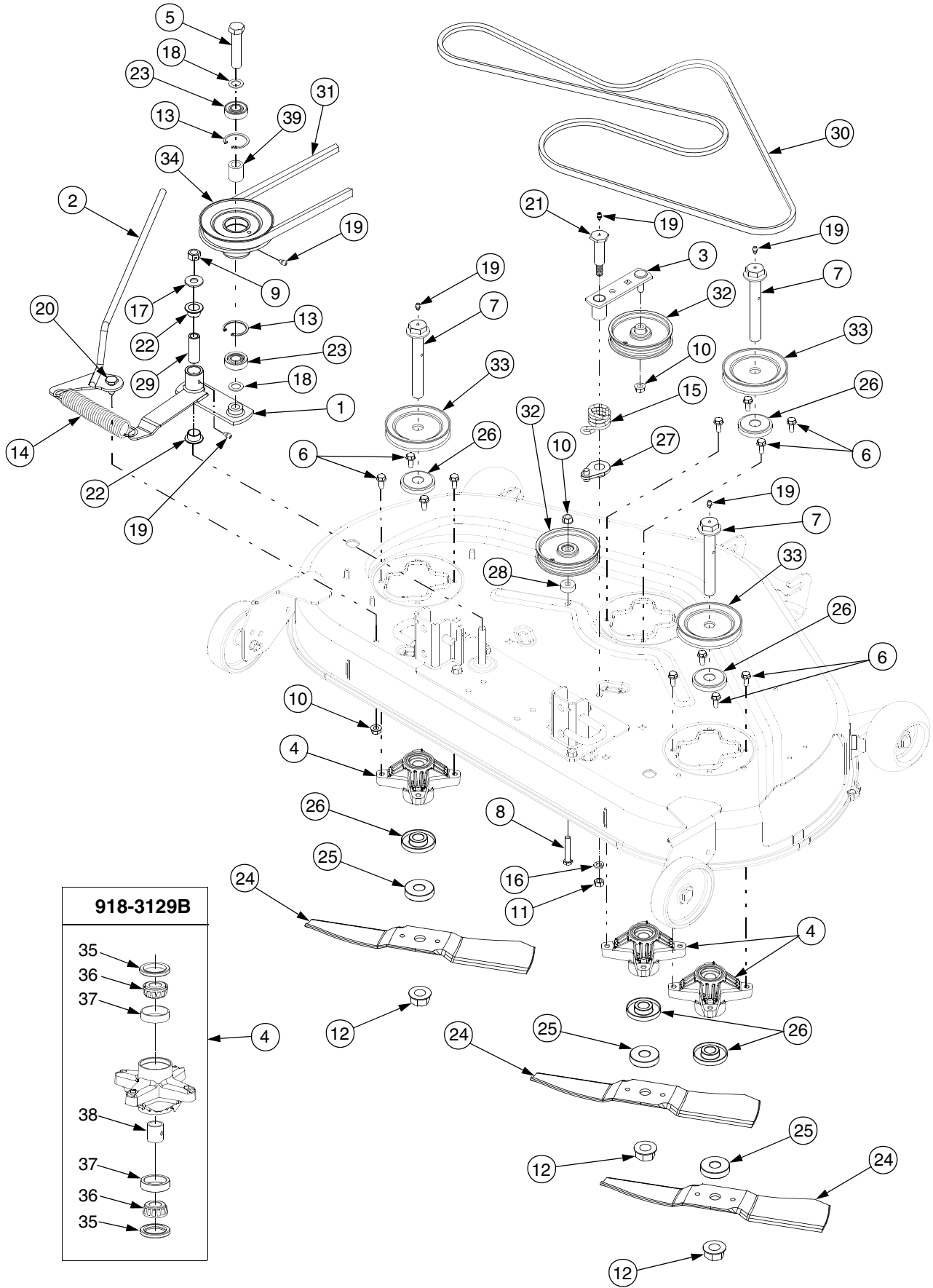




### 44" DECK ASSEMBLY

REF. NO.	PART NUMBER	DESCRIPTION	QTY.
1	603-0857	Idler Assembly	1
2	603-0183A	Plate Assy, Mounting	1
3	603-04113	Handle, Tension	2
4	603-04269	Deck Housing Assembly	1
	777S30014	Graphic, Warning	1
	777S30018	Graphic, Deck Safety	1
	777S30503	Graphic, Deck Safety	1
	777I20847	Graphic, Belt Routing	1
5	631-0094	Chute Assembly, Discharge	1
6	634-04188	Wheel, Deck w/Fitting	2
7	703-2559	Bracket, Stop	1
8	703-3359	Baffle, Skirt	2
9	703-3742	Belt Cover, LH	1
10	703-3743	Belt Cover, RH	1
11	710-0260A	Bolt, Carriage, 5/16-18 x .62	6
12	710-0751	Screw, Hex Cap, 1/4-20 x .62	2
13	710-1010	Screw, Hex Cap, 1/2-20 x 3.0	1
14	710-1611B	Screw, Self Tap, 5/16-18 x .75	6
15	710-3008	Screw, Hex Cap, 5/16-18 x .75	1
16	710-3178	Bolt, Carriage, 3/8-16 x .75 GR5	4
17	711-3314	Pin, Roller, 1/2 Dia x 7.31	1
18	712-0239	Nut, Hex Lock, 1/2-20	1
19	712-0431	Nut, Flange Lock, 3/8-16	11
20	712-3004A	Nut, Flange Lock, 5/16-18	7
21	712-3006	Nut, Hex, 1/4-20 GR5	2
22	712-3010	Nut, Hex, 5/16-18, GR5	6
23	714-0115	Pin, Cotter, 1/8 Dia x 1	1
24	715-3003	Pin, Spiral Spring, 3/16 Dia x .75	2
25	726-3045	Button Plug	2
26	731-3005	Front Roller	1
27	731-3316	Plug, Mulch	1
28	732-3127	Spring, Comp, .66 OD x 1.8	2
29	732-0861	Spring, Ext, .162 Dia x 1.25 OD	1
30	734-0973	Wheel, Deck, 5.0 x 1.38	2
32	736-0119	Washer, Lock, 5/16	6
33	736-0179	Washer, Flat, 1/2 x 1.25 x .10	1
34	736-0270	Washer, Bell, .265 x .75 x .062	2
35	736-0272	Washer, Flat, .510 x 1 x .060	2
36	738-0143	Bolt, Shoulder, .498 Dia x .340	1
37	738-0533	Screw, Shoulder, .498 x 1.635	2
38	738-0373	Bolt, Shoulder	2
39	741-0338	Bearing, Flange, 3/4 ID x .52 LG	2
40	747-3188	Pin, Mower Support	2
41	750-3136	Spacer, .5 OD x .75 x 2.07 Lg	1
42	747-3172B	Rod, Front Lift	1
43	712-3048	Nut, Hex Jam, 1/2-13 GR5	2
44	736-0921	Washer, Lock, 1/2	2
45	738-0507B	Bolt, Shoulder, .50 Dia. x .494 Lg	2
46	712-3083	Nut, Hex Insert Lock, 1/2-13	2
47	703-2248	Bracket, Front Lift	1
48	777S30284	Graphic, Danger	1
49	736-0226	Washer, Flat, .474 x .88 x .064	6
50	737-04003B	Nozzle, Deck Wash	2
51	712-0641	Nut, Hex M16-1.5	2
52	736-0760	Washer, Lock	2
53	721-04041	Adapter, Water Nozzle	1

### 44" DECK DRIVE & SPINDLE ASSEMBLY



---

### 44" DECK DRIVE & SPINDLE ASSEMBLY

REF. NO.	PART NUMBER	DESCRIPTION	QTY.
1	603-0857	Idler Assembly	1
2	603-04113	Handle, Tension	2
3	703-0118	Idler Arm Assembly	1
4	918-3129B	Spindle Assembly — Includes Ref. Nos. 35, 36, 37 and 38	3
5	710-0923	Screw, Hex Cap, 5/8-18 x 3.0	1
6	710-1260A	Screw, Hex Wash Ld, 5/16-18 x .75	12
7	710-1852	Bolt, Spindle, 3/4-16 x 5.37	3
8	710-3144	Screw, Hex Cap, 3/8-16 x 2.0 GR5	1
9	712-0239	Nut, Hex Lock, 1/2-20	1
10	712-0431	Nut, Flange Lock, 3/8-16	3
11	712-3019	Nut, Hex, 7/16-14, GR2	1
12	712-3078	Nut, Hex Flange, 3/4-16	3
13	716-3020	Snap Ring, Internal	2
14	732-0861	Spring, Ext, .162 Dia x 1.25 OD	1
15	732-3067	Torsion Spring, Idler, 1.10 ID x 1.3	1
16	736-0171	Washer, Lock, 7/16	1
17	736-0179	Washer, Flat, 1/2 x 1.25 x .10	1
18	736-0237	Washer, Flat, .65 x 1.25 x .075	2
19	737-3000	Fitting, Lube, 3/16 Drive	6
20	738-0143	Bolt, Shoulder, .498 Dia x .340	1
21	738-3172	Screw, Shldr, .68 x 2.11, 7/16-14	1
22	741-0338	Bearing, Flange, 3/4 ID x .52 LG	2
23	741-1122	Bearing, Ball	2
24	759-3939	Blade, Mower, 15.94	3
25	748-3020	Spacer, Blade	3
26	748-3065	Spacer, Deck Spindle	6
27	748-3100	Retainer, Spring	1
28	750-3119	Spacer, .406 ID x 1.00 OD x .38	1
29	750-3136	Spacer, .5 OD x .75 x 2.07 Lg	1
30	754-3039	V-Belt, 1/2 x 103.0 Lg	1
31	754-04041	V-Belt, B sect x 111.2 Lg	1
32	756-3005	Pulley, Flat w/Flanges	2
33	756-3089	Pulley, V-Type, 4.0 Dia	3
34	756-3115	Pulley, Double Lube Fitting NOT included.	1
35	721-3018A	Seal, Oil, 1.25 x 1.874 x .25	6
36	741-04089	Bearing, Cone	6
37	741-04091	Cup, Bearing	6
38	750-04409	Spacer, Bearing	2
39	750-3132	Spacer, .88 x .635 x 1.25	1

---