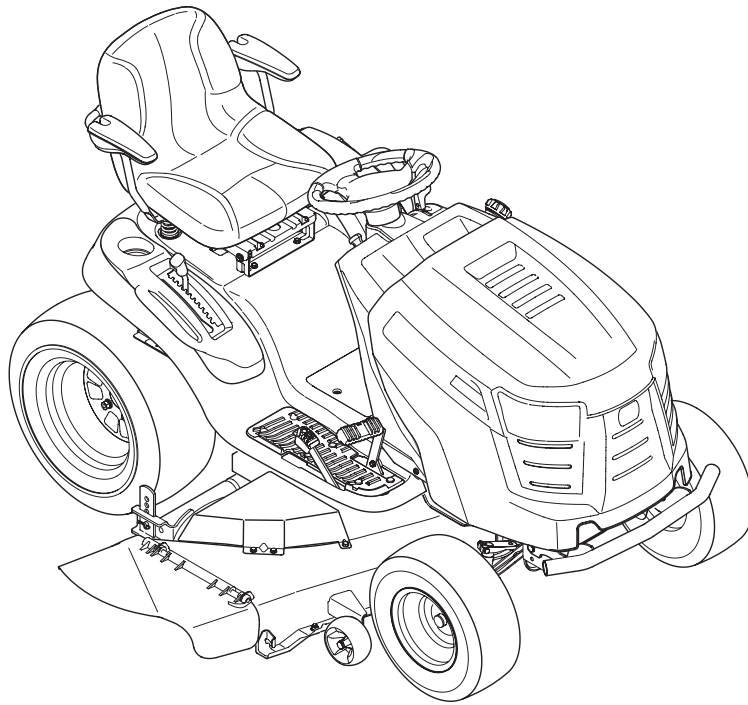


---

# *Cub Cadet*<sup>®</sup>

## ILLUSTRATED PARTS MANUAL



### Hydrostatic Garden Tractor — GTX1054

---

CUB CADET LLC, P.O. BOX 361131 CLEVELAND, OHIO 44136-0019

---

# To The Owner

Thank you for purchasing a Cub Cadet Garden Tractor. It was carefully engineered to provide excellent performance when properly operated and maintained.

All information in this manual is relative to the most recent product information available at the time of printing. Please be aware that this Illustrated Part's Manual may cover a range of product specifications for various models.

Components listed and/or illustrated in this manual may not be applicable to all models. We reserve the right to change product specifications, designs and equipment without notice and without incurring obligation.

Throughout this manual, all references to *right* (RH) and *left* (LH) are observed from the operating position.

## Table of Contents

<b>Axle, Front</b> .....	<b>4</b>	<b>Hood</b> .....	<b>10</b>
<b>Battery</b> .....	<b>6</b>	<b>Deck Lift Handle/Linkage</b> .....	<b>8</b>
<b>Head Lamps</b> .....	<b>10</b>	<b>Labels</b> .....	<b>21</b>
<b>Mower Deck</b> .....	<b>14</b>	<b>Meter, Systems Indicator</b> .....	<b>10</b>
<b>Pedal Controls</b> .....	<b>12</b>	<b>Muffler</b> .....	<b>16</b>
<b>Dash Panel</b> .....	<b>10</b>	<b>PTO</b> .....	<b>6</b>
<b>Drive System</b> .....	<b>12</b>	<b>Seat</b> .....	<b>8</b>
<b>Electrical Schematic</b> .....	<b>17</b>	<b>Solenoid</b> .....	<b>6</b>
<b>Engine Accessories</b> .....	<b>16</b>	<b>Steering</b> .....	<b>4</b>
<b>Engine, Kohler SV740</b> .....	<b>22</b>	<b>Switches, Interlock</b> .....	<b>6</b>
<b>Fender</b> .....	<b>8</b>	<b>Throttle Control</b> .....	<b>10</b>
<b>Frame</b> .....	<b>6</b>	<b>Transmission, Hydrostatic</b> .....	<b>18</b>
<b>Fuel Tank</b> .....	<b>10</b>	<b>Wheels, Front &amp; Rear</b> .....	<b>3</b>

## Record Product Information

To ease in ordering replacement parts, please locate the model plate on the equipment and record the information in the provided area to the right. You can locate the model plate by looking beneath the seat.

### MODEL NUMBER

--	--	--	--	--	--	--	--	--	--	--

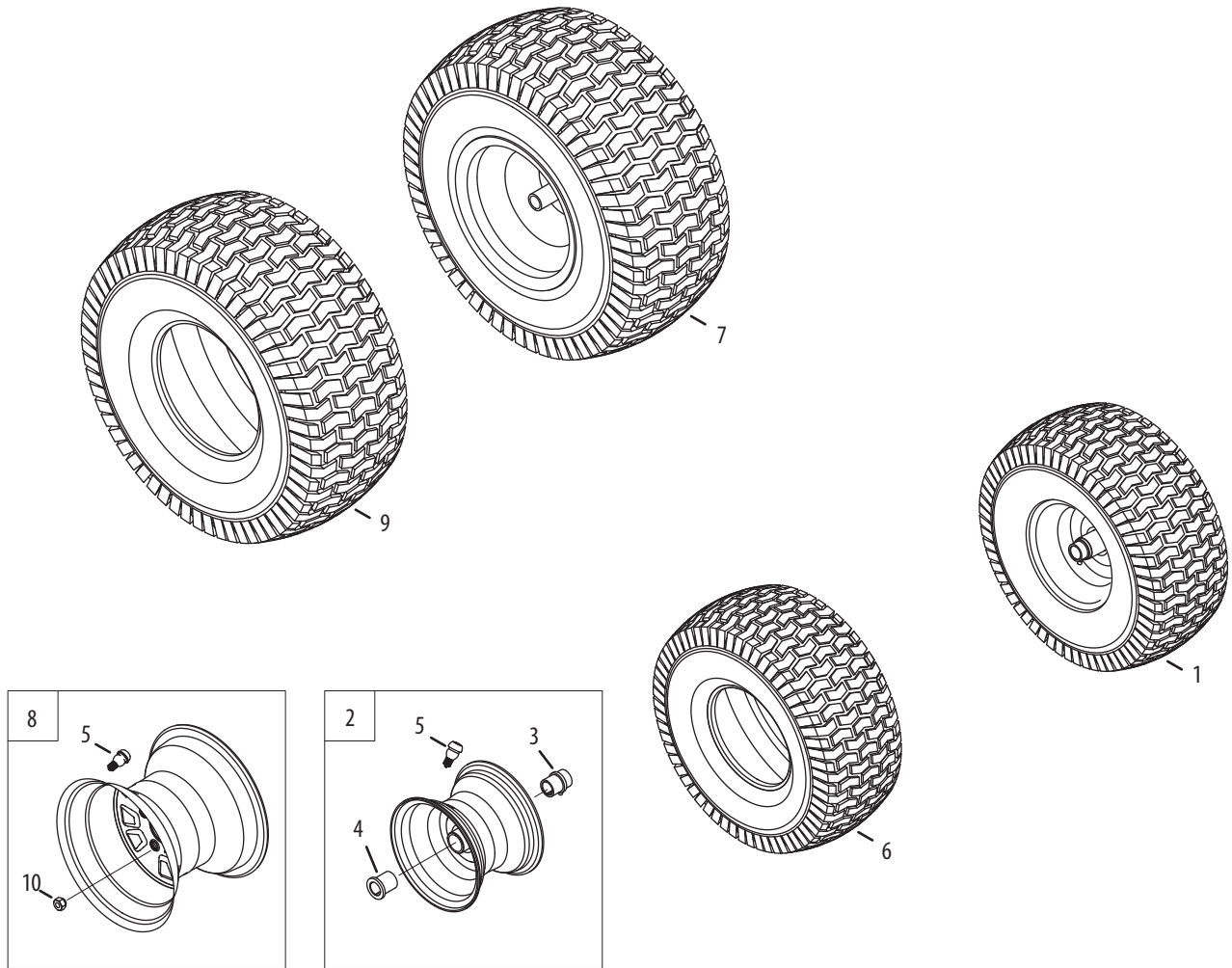
### SERIAL NUMBER

--	--	--	--	--	--	--	--	--	--	--

## Painted Parts

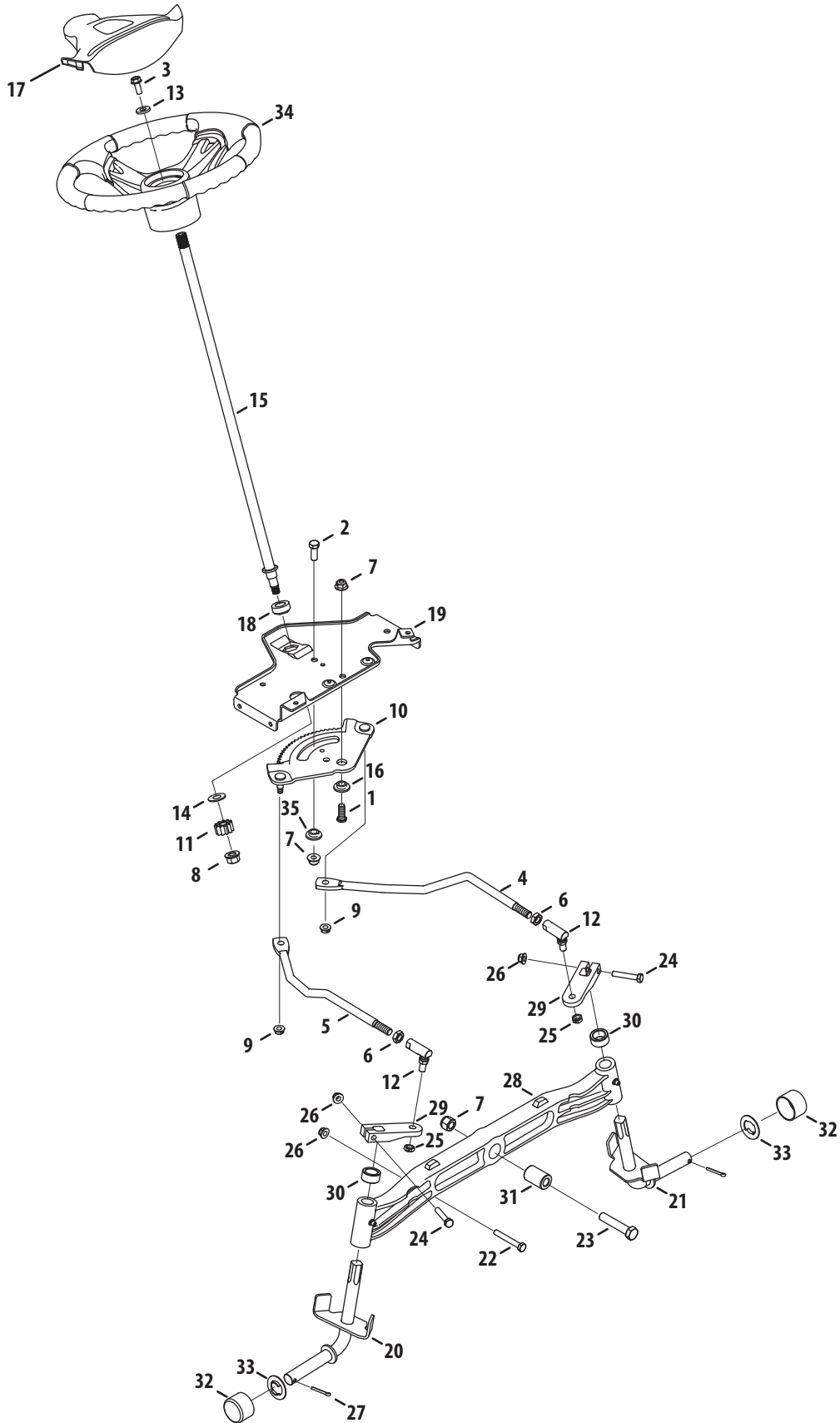
When ordering painted service parts, a four digit color suffix must be added to the part number (e.g. 783-XXXX-0637). Please refer to the table below for current color codes:

0637	Black	0685	Blue (Cub Cadet)
4021	Yellow (Cub Cadet)	0691	Black Jack (Cub Cadet Commercial)
0499	Beige (Cub Cadet)		



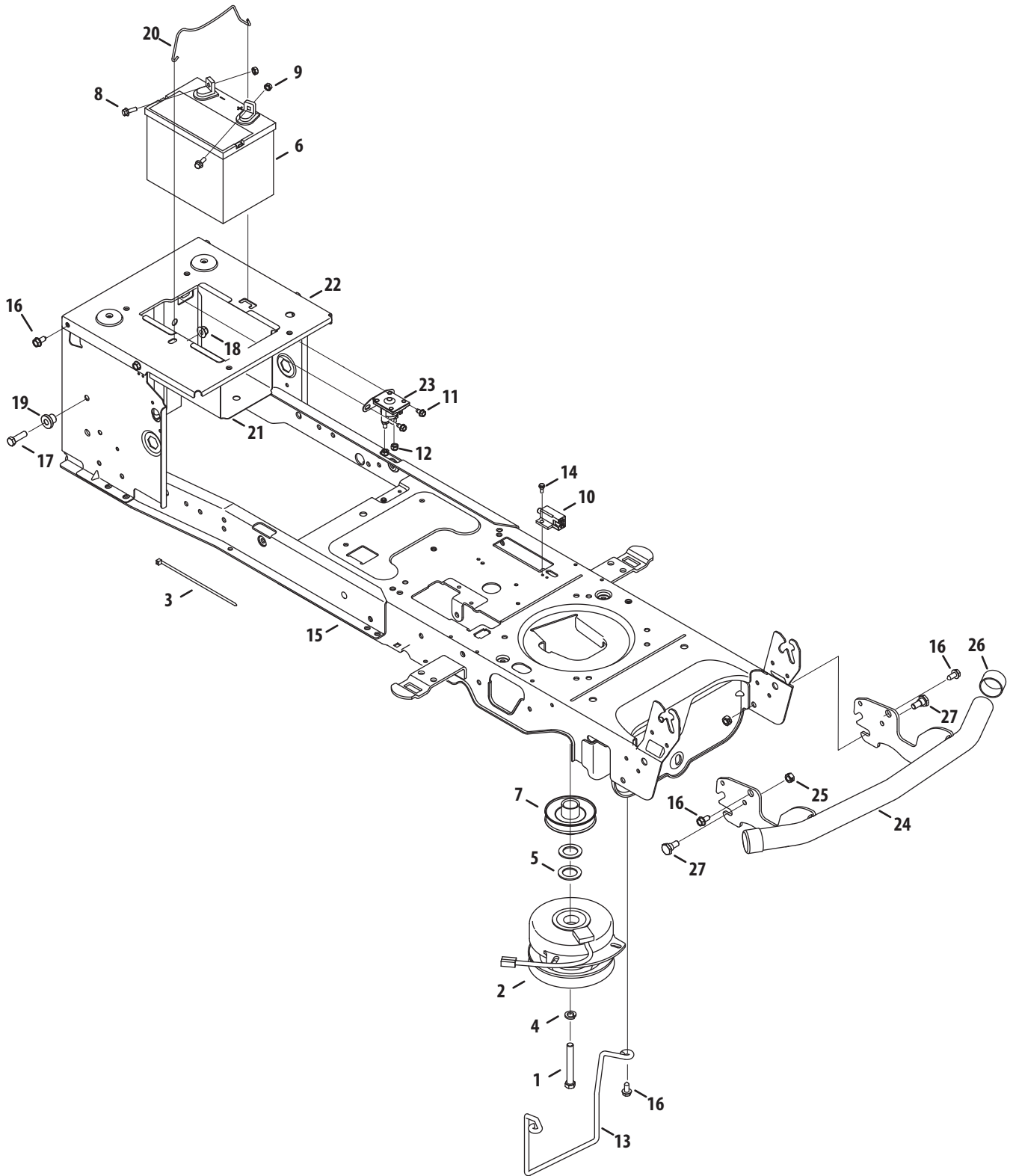
Ref.	Part Number	Description
1.	—	Wheel Ass'y, Complete, 16 x 6 x 5.8
2.	934-04082	Rim Ass'y, 8.0 x 5.3, Plastic Bearings
3.	741-0990B	Bearing, Flange, .760 ID w/ Fitting
4.	741-0516B	Bearing, Flange, .760 x 1.00 x 1.20
5.	934-0255	Valve, Tubeless Air
6.	734-1727	Tire, 16 x 6.5 x 8 Sq Shoulder
7.	—	Wheel, Complete, 23 x 10.5 x 12
8.	634-04238	Rim Ass'y, 12.0 x 7.0
9.	734-04147-0901	Tire, 23 x 10.5 x 12 Sq Shoulder
10.	712-3050	Nut, Lug, 7/16-14

# Steering



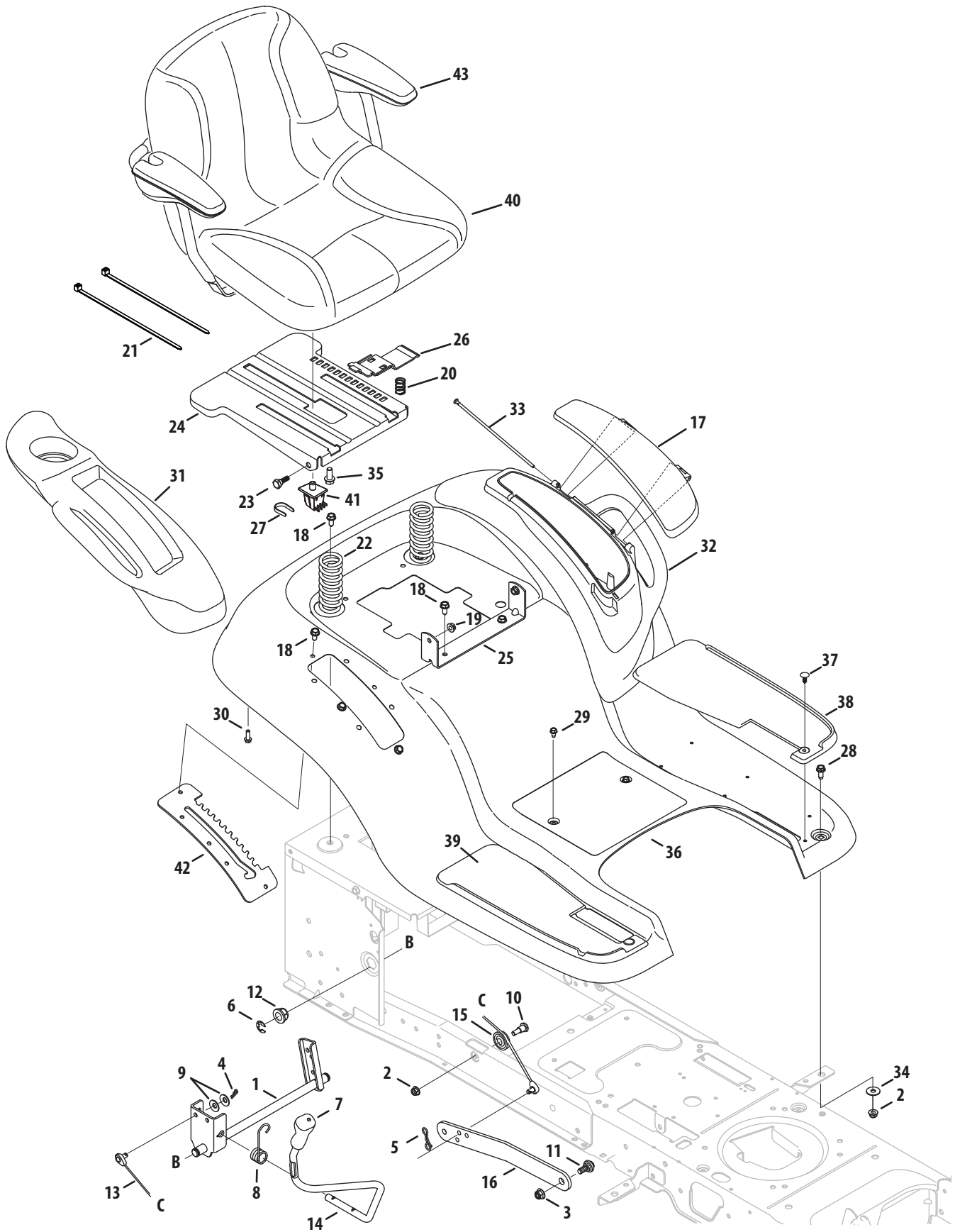
Ref.	Part Number	Description
1.	710-04095	Hex Screw, 3/8-16, 1.00, Gr5, Spec
2.	710-0514	Hex Screw, 3/8-16, 1.00, Gr5, Std
3.	710-0650	Hex Screw, 5/16-18, .875, Gr5, Lock
4.	711-04998	Link, Drag LH
5.	711-04999	Link, Drag RH
6.	912-0240	Nut, Jam, 7/16-20, Gr2
7.	712-04065	Nut, Flange Lock, 3/8-16, Grf,
8.	712-0459	Nut, Flange Lock, 7/16-20, Grb, Lock
9.	712-3004A	Nut, Flange Lock, 5/16-18, Gr5, Sd Lk
10.	717-1550F	Gear, Steering, 11/90 Ratio
11.	717-1554	Gear, Pinion, Steering
12.	923-0448A	Ball Joint, 7/16-20, Lock
13.	936-3004	Washer, Flat, .406 x .875 x .105
14.	736-3084	Washer, Flat, .51 x 1.12 x .06
15.	738-04262	Shaft, Steering, .625 OD x 25, Cub
16.	738-04363	Spacer, Shoulder, .385x 1.25 x .3025
17.	731-04532B	Cover, Steering Wheel, Cub Cadet
18.	741-04237B	Bearing, Flange, Hex 5/8 Pm
19.	783-06043	Bracket, Support, Steering
20.	638-04040	Axle Ass'y, RH .750 Dia.
21.	638-04041	Axle Ass'y, LH .750 Dia.
22.	710-0395	Hex Screw, 5/16-18, 2.25, Gr5, Std
23.	710-0859	Hex Screw, 3/8-16, 2.50, Gr5, Std
24.	710-3180	Hex Screw, 5/16-18, 1.75, Gr5, Std
25.	912-0214	Nut, Hex Lock, 3/8-24, Grb
26.	712-04063	Nut, Flange Lock, 5/16-18, Grf
27.	714-0162	Pin, Cotter, 5/32, 1.25
28.	719-04413A	Axle, Pivot Bar, Cast
29.	748-04065	Steering, Block
30.	748-04068	Spacer, .71 ID x .125 OD x .56
31.	750-05280	Spacer, .385 x 1.00 x 1.5075
32.	731-05674	Cap, Bumper
33.	736-04228A	Washer, Flat, .350 x 1.559 x .062
34.	631-04008A	Wheel, Steering, 3 Spoke, Softgrip
35.	738-04364B	Spacer, .38 x 1.375, Spec

# Frame, Electrical and PTO



Ref.	Part Number	Description
1.	710-04379A	Hex Screw, 7/16-20, 3.50, Gr5, Lock
2.	917-1774C	Clutch, Electric PTO
3.	725-0157	Cable, Tie, 3/16 X .05 X 7.4
4.	736-0171	Washer, Lock, 7/16 , Regular Duty
5.	736-0277	Washer, Flat, 1.031 X1.620 X.095
6.	925-1707D	Battery
7.	756-0978B	Engine Pulley, Electric PTO
8.	710-04666	Hex Flange Screw, 1/4-20, .75, Gr5
9.	712-0271	Nut, Sems, 1/4-20
10.	725-04363	Switch, Interlock
11.	710-0653	Screw, Self-tapping, 1/4-20, 0.375
12.	712-04064	Nut, Flange Lock, 1/4-20, Nylon
13.	747-05195	Rod, Keeper
14.	738-04237A	Screw, Shoulder, #10-32, .50
15.	683-04469A	Frame Assembly, Lower
16.	710-04484	Screw, Self-tapping, 5/16-18, .750
17.	710-3005	Hex Screw, 3/8-16, 1.25, Gr5, Std
18.	712-04065	Nut, Flange Lock, 3/8-16, Nylon
19.	738-04058	Spacer, Shoulder, .38 X 1.0 X .70
20.	747-04121A	Rod, Battery
21.	783-0349	Tray, Battery
22.	783-06089	Bracket, Frame, Seat
23.	725-04439	Solenoid, 12V, 100 Amp, 4 term
24.	683-04219B	Bumper Assembly, Universal
25.	912-3000	Nut, Hex Lock, 3/8-16, GrB
26.	731-05674	Cap, Bumper
27.	738-0143	Bolt, Shoulder, .496 x .336, 3/8-16
—	925-04093	Harness Assembly, Main

# Seat, Fender and Lift





## Seat, Fender and Lift

Ref.	Part Number	Description	Ref.	Part Number	Description
1.	683-04301	Shaft Ass'y, Lift	23.	938-0296	Screw, Shoulder, .437 x .268, 5/16-18
2.	712-04063	Nut, Flange Lock, 5/16-18, Grf	24.	783-06049	Bracket, Mounting, Seat
3.	712-04065	Nut, Flange Lock, 3/8-16, Grf	25.	783-06088	Bracket, Pivot, Seat
4.	914-0104	Pin, Cotter, .072 Dia. x 1.13	26.	783-06050	Lever, Seat Adjustment
5.	714-04040	Pin, Cotter, Bow-Tie 72	27.	783-06448	Clip, Retaining, Switch
6.	716-0106A	Ring, E Type, .625 Dia. Shaft	28.	710-1260A	Hex Screw, 5/16-18, .75, Gr5, Std
7.	720-04139A	Grip, Handle, Cub, .50 ID	29.	710-0599	Screw, Self-tapping, 1/4-20, 0.500,
8.	732-0874	Spring, Torsion	30.	710-0895	Screw, HL, 1/4-15, 0.750,
9.	736-0105	Washer, Spring, .401 x .870 x .063	31.	731-06700	Cover, Fender, RH
10.	738-0138A	Screw, Shoulder, .437 x .470, 5/16-18	32.	731-06676	Cover, Fender, LH
11.	938-0380	Bolt, Shoulder, .50, 3/8-16	33.	747-05039	Pin, Door
12.	941-0225	Bearing, Hex Flange	34.	736-3078	Washer, Flat .344 x 1.00 x .063
13.	746-0968	Cable, Lift, 16.16	35.	710-04482	Hex Flange Screw, 3/8/16, .875, Gr5
14.	747-04962A	Handle, Lift,	36.	783-06118	Fender, Cub Hydro
15.	756-04331	Pulley, Roller, Cable	37.	726-3046	Clip, Ratchet, .250 Dia
16.	783-05546A	Link, Lift	38.	735-04137	Pad, Foot, LH
17.	731-06584	Door, Cover, Fender	39.	735-04139	Pad, Foot, RH
18.	710-04484	Screw, Self-tapping, 5/16-18, .750,	40.	757-04132	Seat, High Back Cloth w/o Arm Rest
19.	712-3004A	Nut, Flange Lock, 5/16-18, Gr5, Sd Lk	41.	925-05013	Switch, Seat
20.	732-04563	Spring, Compr', .68 x 1.065 x .055	42.	783-06181	Bracket, Lift
21.	725-0157	Cable, Tie, 3/16 x .05 x 7.4	43.	757-04073	Arm Rest Kit
22.	732-04561	Spring, Comprs, 1.71 x 3.735 x .238			

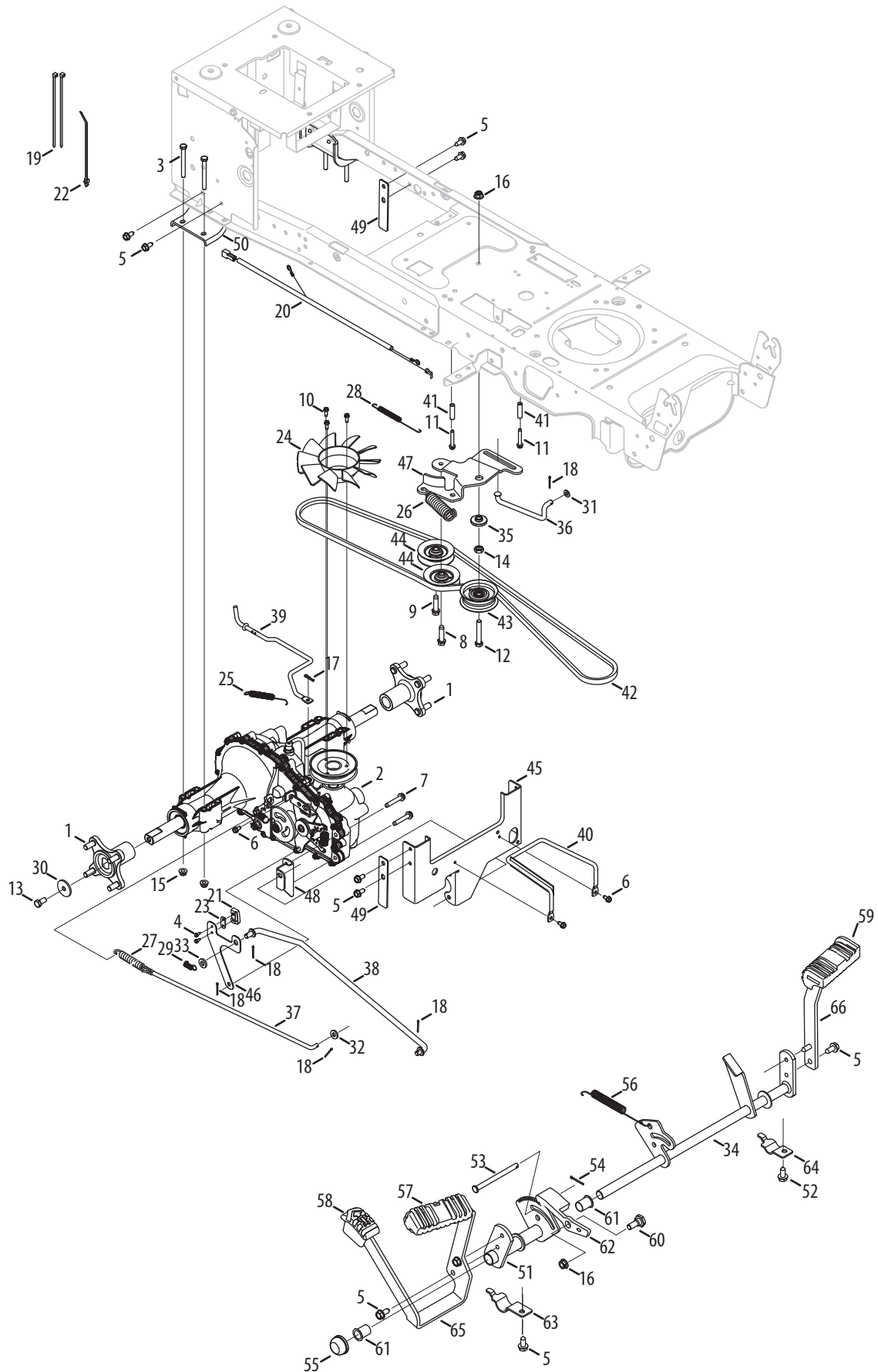


## Fuel Tank, Hood and Dash

Ref.	Part Number	Description
1.	710-04484	Screw, Self-tapping, 5/16-18, .750
2.	710-0599	Screw, Self-tapping, 1/4-20, 0.500
3.	710-0895	Screw, HL, 1/4-15, 0.750
4.	710-1017	Screw, Ab, 1/4-14, 0.625,
5.	710-1611B	Screw, Self-tapping, 5/16-18, 0.750,
6.	710-1652	Screw, Self-tapping, 1/4-20 x .625
7.	710-3217	Screw, Mach, #8-32, 0.375
8.	712-0142	Nut, Hex, #8-32
9.	714-04040	Pin, Cotter, Bow-Tie 72
10.	726-3046	Clip, Ratchet, .250 Dia
11.	731-05447A	Lever, Dash, Cruise/Brake
12.	731-06593	Knob, Throttle
13.	931-06554	Dash Panel, A-Style
14.	735-0271A	Bumper, .62 Dia X .3
15.	735-04076	Net
16.	747-05009A	Rod, Control, Latch Cub
17.	747-1196	Rod, Lever, Bent
18.	783-06098	Support, Dash, Plate LH
19.	783-06099	Support, Dash, Plate RH
20.	925-1649	Socket, Lamp
21.	710-05108	Screw, 1/4 Dia, .750
22.	926-0154	Tie, Cable, Push Mount 7.5 Lg
23.	931-04322	Grille Ass'y (Incl. 26, 27, 32 & 33)
24.	931-06542	Scoop, Hood, RH A-Style
25.	931-06543	Scoop, Hood, LH A-Style
26.	931-06558	Lens, Hood, RH A-Style
27.	931-06559	Lens, Hood, LH A-Style
28.	931-06634	Hood, A-Style
29.	936-0222	Washer, Lock, 1/4, External

Ref.	Part Number	Description
30.	936-3020	Washer, Flat, .271, .630, .065
31.	738-04091A	Screw, Shoulder, .43x.29, 5/16-18
32.	777X44055	Reflector, Cub A Style, LH
33.	777X44056	Reflector, Cub A Style, RH
34.	783-06114	Bracket, Pivot, Hood A-Style
35.	751-10879	Tank, Fuel, 3.75 Gal.
	751-10906	Tank, Fuel, 3.30 Gal. (CA)
36.	710-1652	Screw, Self-tapping, 1/4-20, .625
	710-0642	Screw, Self-tapping, 1/4-20, .75 (CA)
37.	747-05040A	Rod, Support, Fuel Tank
38.	951-10589	Canister, Carbon, 5 Gallon (CA)
39.	951-10590	Filter, Vent, Canister (CA)
40.	951-10610	Bracket, Adapter, Canister (CA)
41.	751-10749	Hose, Fuel, Low Perm, 3/16 Wht (CA)
42.	751-10750-28	Hose, Fuel, Low Perm, 7/32 Yel (CA)
43.	751-10441	Valve, Rollover Grommet (CA)
44.	735-04081	Grommet, Rubber, 23.0 ID (CA)
45.	751-0603A	Cap, Fuel
	951-10947	Cap, Fuel (CA)
46.	925-2054A	Key, Ignition
47.	735-04170	Gasket, Fuel Tank
48.	925-0963	Lamp, 12v
49.	731-1999	Plug, Choke
50.	925-04227B	Module Switch, Ignition
51.	946-04556	Cable, Throttle/Choke, 38"
52.	925-04022B	Meter, Indicator
53.	725-04258	Switch, Electric PTO, Yellow
54.	732-04580	Spring, Extension, .500 Dia x 2.733

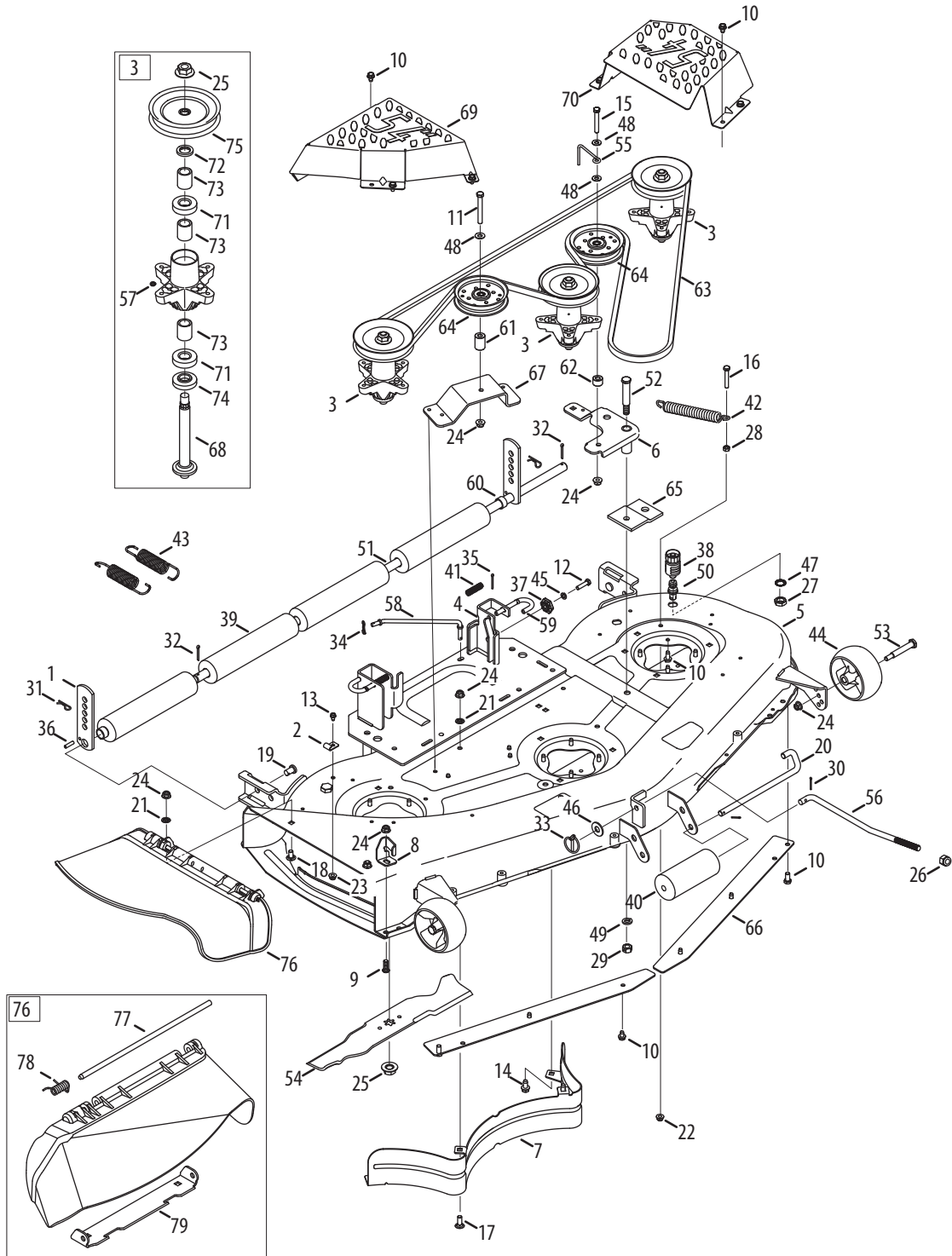
# Drive System



Ref.	Part Number	Description
1.	918-04317	Wheel Assembly Hub
2.	918-04917	Transmission
3.	710-0189	Hex Screw, 5/16-18:3.00
4.	710-0227	Screw, #8-18:0.500
5.	710-04484	Taptite Screw, 5/16-18:.750
6.	710-0599	Taptite Screw, 1/4-20:0.500
7.	710-0909A	Taptite Screw, 5/16-18:1.750
8.	710-1007	Taptite Sems Screw, 3/8-16:1.500
9.	710-1008	Taptite Sems Screw, 3/8-16:1.875
10.	710-1189	Screw, #12-24:0.625
11.	710-1325	Taptite Screw, 1/4-20:1.625
12.	710-3011	Hex Screw, 3/8-16:2.25
13.	710-3119	Hex Screw, 3/8-16:.750
14.	912-0240	Jam Nut, 7/16-20
15.	712-04063	Flangelock Nut, 5/16-18
16.	712-04065	Flangelock Nut, 3/8-16
17.	914-0104	Cotter Pin, .072 DIA. x 1.13 LG
18.	914-0111	Cotter Pin, 3/32:1.0
19.	725-0157	Cable Tie, 3/16 x .05 x 7.4
20.	725-04791A	Jumper Harness
21.	725-1644	Short Spring Switch
22.	926-0154	Push Mount Cable Tie 7.5 LG
23.	926-0320	Insulator Nut Plate
24.	931-1449A	Blade Fan
25.	732-04528	Extension Spring, .50 DIA x 5.0 LG
26.	732-04624	Extension Spring, 1.00 DIA x 4.75
27.	732-0716D	Extension Spring, .59 OD x 4.00 LG
28.	732-0932	Extension Spring, .38 DIA x 5.6
29.	732-3118	Extension Spring, .375 OD x 1.44 LG
30.	936-0227	Flat Washer, .390 x 1.500 x .134
31.	936-0264	Flat Washer, .330 x .630 x .0635
32.	936-3008	Flat Washer, .344 x .750 x .120
33.	736-3010	Flat Washer, .407 x .812 x .135

Ref.	Part Number	Description
34.	647-04152B	Brake Control Assembly
35.	738-04420	Shoulder Spacer, 1.375 x .380 x .183
36.	747-04957A	Footpedal Bypass Transmission Rod
37.	747-05124	Brake Rod
38.	747-05125A	Control Rod
39.	747-05130	Disengage Rod
40.	747-05181	Belt Keeper, 5/16
41.	750-04456	Spacer, 260 x .372 x 1.420 LG
42.	954-04244A	V Belt, 4L x 77.0
43.	756-04224	Flat Idler Pulley, 2.75 OD
44.	756-04325	V Idler Pulley, 3.06
45.	783-05443A	Torque Bracket
46.	783-05841	Switch Bracket
47.	783-06027A	Center Idler Bracket
48.	783-06501A	Deck Bracket
49.	783-06503	Plate Bracket
50.	783-0693A	Axle Bracket
51.	683-04571	Hydro Pedal Bracket Assembly
52.	710-0604A	Taptite Screw, 5/16-18:0.625
53.	711-05068	Clevis Pin, 5/16 x 3.985
54.	714-04040	Bow-Tie Cotter Pin
55.	726-0214	Push Cap
56.	732-04587	Extension Spring, .63 DIA x 4.95 LG
57.	735-04118A	Pad, Pedal, Forward
58.	735-04135	Pad, Pedal, Reverse
59.	735-04136	Pad, Pedal, Brake
60.	938-0380	Shoulder Bolt, .500 x .270:3/8-16
61.	741-0495	Flange Bearing, .630 ID x .695 OD x .60
62.	748-04203	Cruise Latch
63.	783-05914	Pedal Support Bracket
64.	783-05940	Pedal Support Bracket, 5/8
65.	783-06059	Bracket, Pedal, Drive Hydro
66.	783-06103A	Brake Pedal Bracket

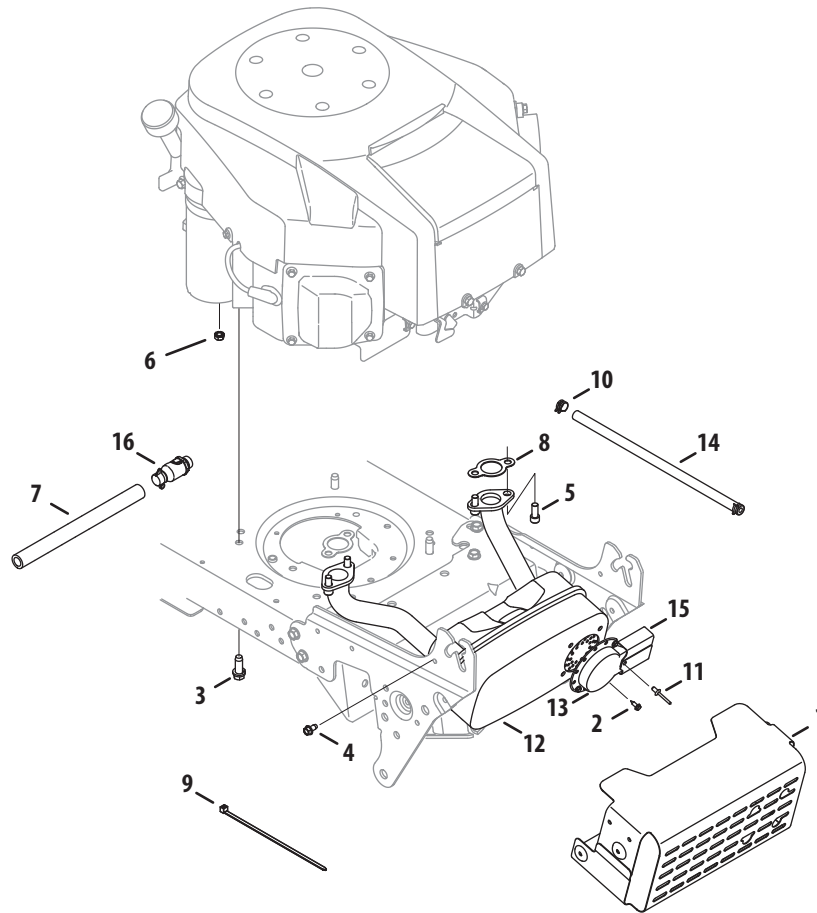
# 54-inch Deck



## 54-inch Deck

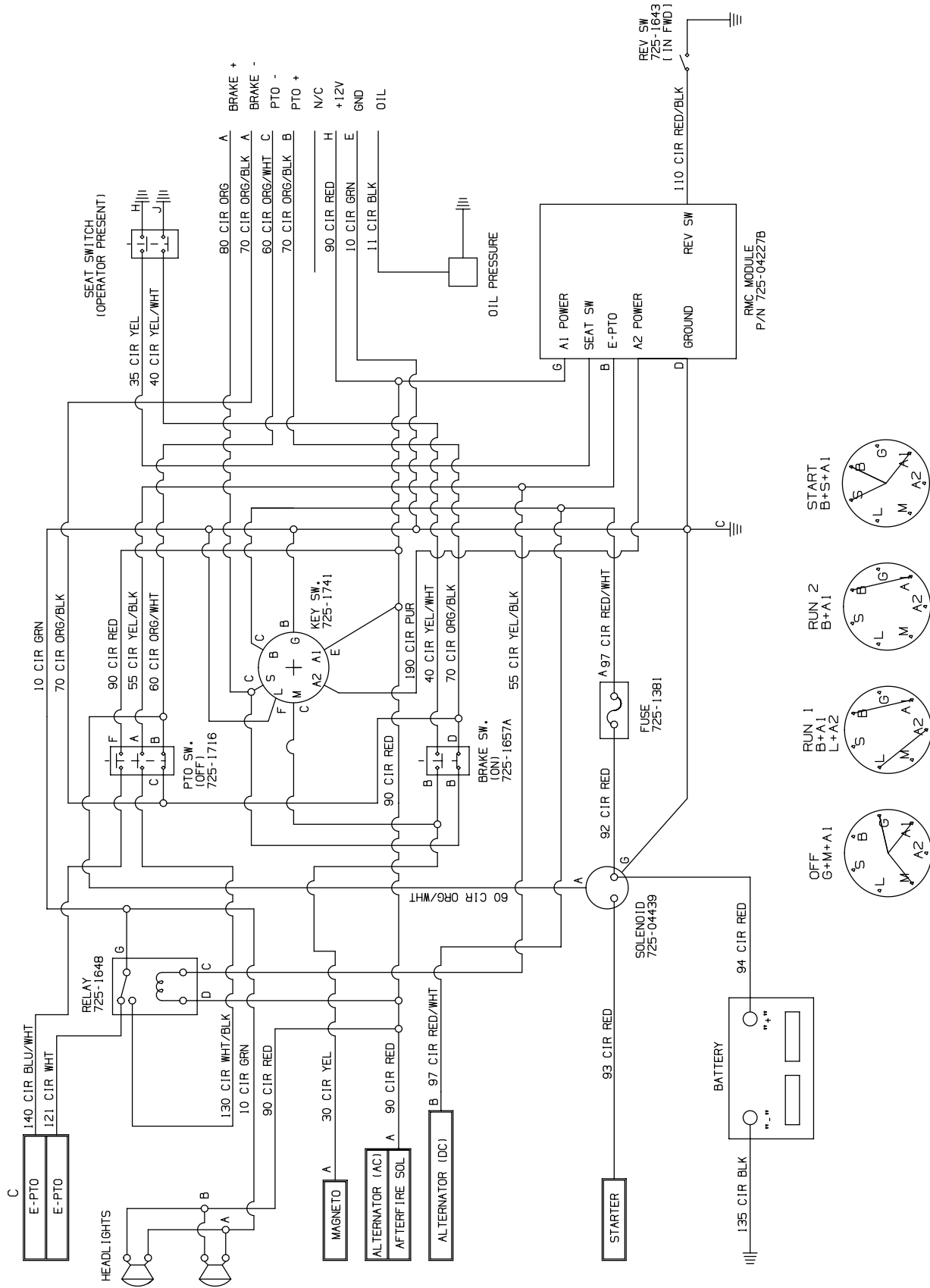
Ref.	Part Number	Description	Ref.	Part Number	Description
1.	12650	Height Adjust Bracket	41.	732-04652	Compression Spring, .535 OD x 1.751 LG
2.	96606	Retainer Hook Bracket	42.	732-04692	Extension Spring, .85 OD x 5.915 LG
3.	918-0671D	Spindle Assembly	43.	732-0934	Extension Spring, 1.15 OD x 5.99 LG
4.	683-0254B	Deck Hanger Bracket Assembly	44.	734-04155	Deck Wheel
5.	983-04585	Deck Assembly	45.	936-0119	Lock Washer, 5/16
6.	683-0459	Idler Assembly	46.	936-0179	Flat Washer, .531 x 1.25 x .100
7.	703-2093	Inner Baffle	47.	736-0225	Lock Washer, 5/8
8.	703-3279	Deflector Chute Stop	48.	936-0300	Flat Washer, .406 x .875 x .059
9.	710-04095	Hex Screw, 3/8-16:1.00	49.	936-0921	Lock Washer, 1/2
10.	710-04484	Taptite Screw, 5/16-18:.750	50.	737-04003D	Deck Water Nozzle
11.	710-0521	Hex Screw, 3/8-16:3.00	51.	738-0295	Shaft, .750 x .4712
12.	710-0528	Hex Screw, 5/16-18:1.25	52.	738-1229A	Shield Screw, .625 x 2.50:1/2-13
13.	710-0597	Hex Screw, 1/4-20:1.00	53.	938-3056	Shoulder Bolt, .496 x 2.50:3/8-16
14.	710-0623	Taptite Screw, 3/8-16:0.750	54.	942-0677B	Blade
15.	710-0859	Hex Screw, 3/8-16:2.50	55.	747-04938	Belt Keeper Rod
16.	710-3103	Hex Screw, 5/16-18:2.00	56.	747-05141A	Deck Lift Rod
17.	710-3168	Carriage Bolt, 3/8-16:1.00	57.	937-3000	Lube Fitting
18.	710-3178	Carriage Bolt, 3/8-16:0.75	58.	747-05284	Deck Sway Rod
19.	911-0332	Clevis Pin, .50 DIA x .78 LG	59.	747-1116	Deck Release Handle Rod
20.	911-3314	Roller Pin, 1/2 DIA x 7.31 LG	60.	950-0212	Spacer, .82 ID x 1.00 OD x .53
21.	712-0229	Push Nut, 3/8	61.	750-04597	Spacer, .380 x .900 x 1.313
22.	712-04063	Flangelock Nut, 5/16-18	62.	750-0933	Spacer, .385 ID x .88 x .64
23.	712-04064	Flangelock Nut, 1/4-20	63.	954-04083	V Belt
24.	712-04065	Flangelock Nut, 3/8-16	64.	756-04129B	Idler Pulley, 4.25"DIA
25.	712-0417A	Flange Nut, 5/8-18	65.	783-04013A	Pulley Stabilizer Bracket
26.	712-04243	Flexlock Nut, 1/2-13	66.	783-04690B	Deck Skirt
27.	912-0641	Hex Nut, M16-1.5 DIN 936	67.	783-04726	Stationary Idler Bracket
28.	912-3010	Hex Nut, 5/16-18	68.	738-1197	Spindle Shaft, 6.95 LG
29.	712-3022	Hexlock Nut, Counterlock, 1/2-13	69.	783-1470A	RH Spindle Cover
30.	914-0111	Cotter Pin, 3/32:1.0	70.	783-1471	LH Spindle Cover
31.	914-0145	Click Pin, .092 x 1.64 LG	71.	941-0919	Ball Bearing, .787 ID x 1.85 OD x .551
32.	714-0162	Cotter Pin, 5/32:1.25	72.	748-0160A	Spacer, .790 ID x 1.25 OD x .175
33.	753-04070	Lynch Pin, .1875	73.	750-1000	Spacer, .80 x 1.10 x 1.322 LG
34.	714-04040	Bow Tie Cotter Pin	74.	750-1349A	Spacer, .79 x 1.82 x .55 LG
35.	914-0470	Cotter Pin, 1/8 x 1.25	75.	756-04216	Deck Pulley
36.	715-0108	Spring Pin, 1/4 DIA x 1.00 LG	76.	631-04070A	Chute Assembly
37.	917-04074	Deck Gear	77.	711-04565	Hinge Pin
38.	921-04041	Water Nozzle Adaptor	78.	732-04372	Torsion Spring, .44 ID x 2.0
39.	731-0335	Deck Roller	79.	783-05030	Chute Bracket
40.	731-05679	Front Roller			

## Engine Accessories

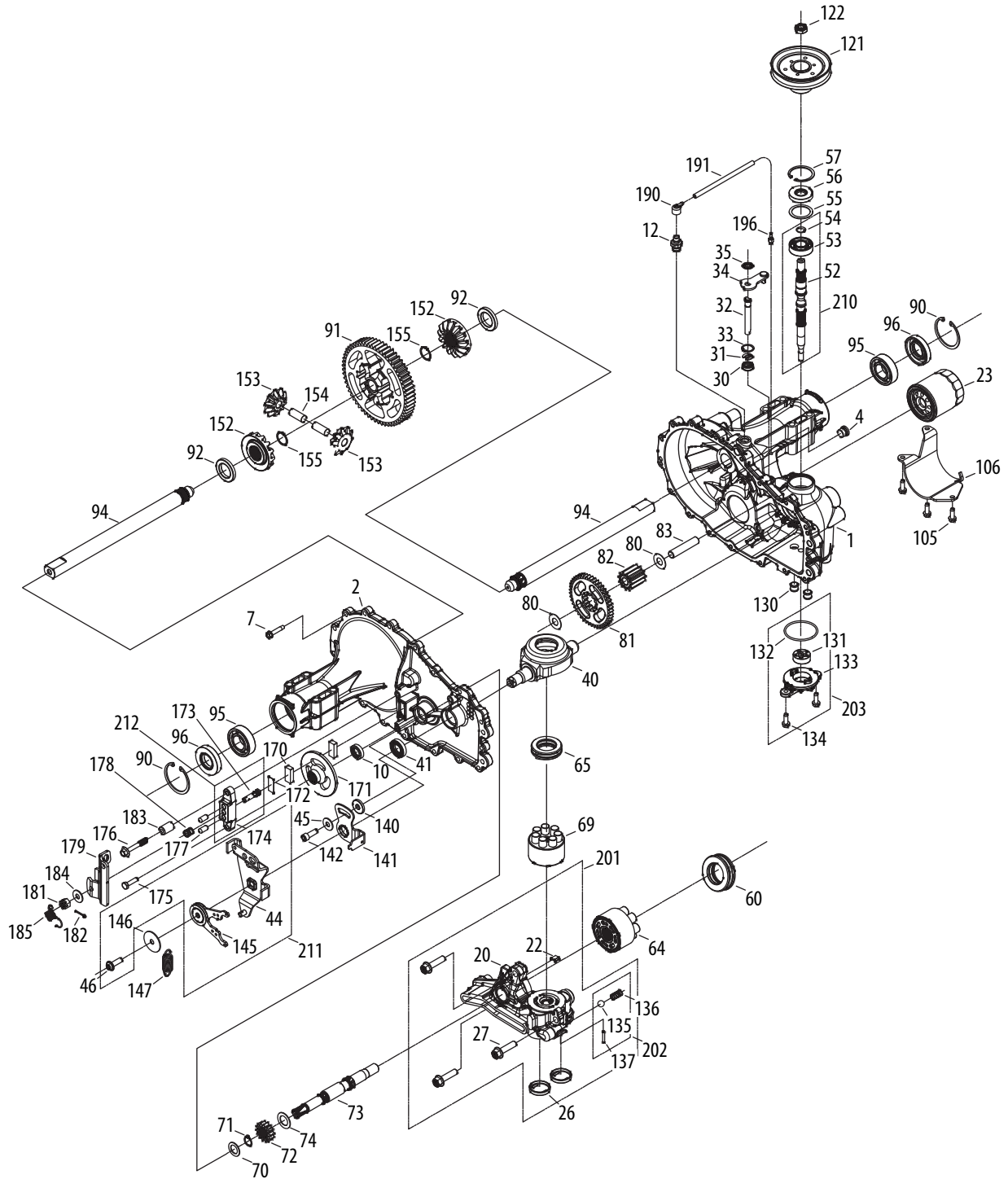


Ref.	Part Number	Description
1.	683-04549	Shield Ass'y, Muffler
2.	710-0227	Screw, Ab, #8-18, 0.500,
3.	710-04683	Screw, Self-tapping, 3/8-16, 1.000,
4.	710-0599	Screw, Self-tapping, 1/4-20, 0.500,
5.	710-1314A	Screw, Socket Head, 5/16-18, .750
6.	712-0271	Nut, Sems, 1/4-20
7.	751-3141-14	Hose, Extension, Oil Drain
8.	721-0377A	Gasket, Exhaust
9.	725-0157	Cable, Tie, 3/16 x .05 x 7.4
10.	726-0205	Clamp, Hose, .490 Dia.
11.	728-04000	Rivet, Pop, .188 Dia x .300
12.	751-10528A	Muffler, Kohler Twin
13.	751-0564B	Deflector, Muffler
14.	751-10349	Hose, Fuel, Low Permeation, 1/4
15.	751-10353	Deflector, Muffler, Long
16.	951-10517A	Drain, Oil





# Hydro-Gear Transmission



# Hydro-Gear Transmission

Ref. No.	Part No.	Description
1	HG-71629	Kit, Housing, Main Housing, Main Pin, Standard Headless Bushing, .624 x .719 x .562 Bushing, .865 x .985 x .790 Bearing, Flange 1.0 x 1.376 x .99
2	HG-71630	Kit, Housing, Side Housing, Side Bushing, .624 x .729 x .562 Bushing, .865 x .985 x .790 Bearing, Flange 1.0 x 1.376 x .99
4	HG-9005110-5600	Plug, 9/16-18 (Metal)
7	HG-51190	HFHCS 1/4-20 x 1.25
10	HG-44761	Seal, Lip .625 x 1.0
12	HG-52558	Assembly, Fitting, Metal
13	HG-50928	Gasket Material (Not Shown)
22	HG-51448	Plate, Bypass
23	HG-52114	Filter, Oil
26	HG-52162	Seal, Plug 1.250 x .250
27	HG-52137	HFHCS 3/8-16 x 1.5 (Patch)
30	HG-51626	Seal, Lip .375 x .75 x .25
31	HG-51628	Ring, Retaining .375 External
32	HG-52136	Rod, Bypass
33	HG-51627	Ring, Retaining .750 Internal
34	HG-51910	Arm, Bypass
35	HG-51630	Ring, Retaining .375 Internal
40	HG-51048	Trunnion, Swashplate
41	HG-51140	Seal, Lip 18 x 32 x 7
45	HG-44130	Washer, .24 x .88 x .05
46	HG-51812	TWHCS 5.16-24 x 1.00 (Patch)
55	HG-50951	Washer, 1.23 x 1.56 x .04
56	HG-51161	Seal, Lip 17 x 40 x 17
57	HG-50329	Ring, Retaining 1.575 Internal
60	HG-51462	Bearing, Thrust
64	HG-70735	Assembly, Cylinder Block, 16cc
65	HG-50551	Bearing, Thrust Ball 30 x 52 x 13
69	HG-70723	Assembly, Block 7 Piston
70	HG-44371	Washer, .63 x 1.0 x .05
71	HG-44145	Ring, Retaining .625 External

Ref. No.	Part No.	Description
72	HG-52109	Gear, 14T
73	HG-52585	Shaft, Motor
74	HG-51069	Washer, .72 x 1.16 x .04
80	HG-50132	Washer, .5 x 1.0 x .03
81	HG-52110	Gear, 45T
82	HG-52583	Gear, 11T
83	HG-51083	Pin, Jackshaft
90	HG-50859	Ring, Retaining 2.06 Internal
91	HG-52577	Gear, 60T
92	HG-51939	Spacer, 1.04 x 1.65 x .22
94	HG-52564	Shaft, Axle 1.00 x 13.37, DD
95	HG-50771	Bearing, Ball 1.0 x 52 x 15
96	HG-50772	Seal, Lip 25 x 52 x 10 TC (Gray)
105	HG-50752	HFHCS 1/4-20 x .75
106	HG-52247	Guard, Filter, LH
121	HG-51585	Pulley, 4.0"
122	HG-51244	Hex Lock Nut 1/2-20 (Nylon Insert)
123	HG-51076	Screw Hex 1/4-20 x .875
130	HG-52157	Tube, Connecting
140	HG-52527	Spacer, .320 x 1.005 x .179
141	HG-52921	Assembly, RTN, Neutral Arm
142	HG-51616	SHCS 5/16-24 x 1 Patch
146	HG-51950	Washer, .343 x 1.500 x .062
147	HG-51605	Spring, Extension RTN - 44 LBS
152	HG-52599	Gear, Bevel 14T Spline ID
153	HG-52600	Gear, Bevel 10T
154	HG-52608	Pin, .499 x 1.20
155	HG-52531	Ring, Spiral Retaining - 87
170	HG-44132	Puck, Brake
171	HG-52582	Rotor, Brake
172	HG-44134	Plate, Puck
175	HG-44433	Bolt, Hex Head 1/4-20 x 1 w/ Patch
176	HG-51146	Bolt, Hex Head 1/4-20 x 2 w/ Patch
177	HG-44127	Pin, Brk .31 x .73 Plated
178	HG-50919	Spring, Comp Brake Anti-Drag
179	HG-50911	Arm, Brake
181	HG-44142	Nut, Castle 5/16-24 PL
182	HG-44101	Pin, Cotter 3/32 x 3/4
183	HG-23711	Spacer, .26 x .57 x .87

# Hydro-Gear Transmission

Ref. No.	Part No.	Description
184	HG-44130	Washer, .27 x .88 x .12
185	HG-50884	Spring, Brake Arm Bias
190	HG-51687	Cap, Barbed
191	HG-52474	Hose, .28 x .15 x 10.00
196	HG-52922	Fitting, Barbed
200	HG-71632	Kit, Seal (Not Shown)
006		Pin, Standard Headless
010		Seal, Lip .625 x 1.0
026		Seal, Plug 1.250 x .250
030		Seal, Lip .375 x .75 x .25
031		Ring, Ret .375 External
033		Ring, Ret .750 Internal
035		Ring, Ret .375 External
041		Seal, Lip 18 x 32 x 7
046		TWHCS 5.16-24 x 1.00 (Patch)
054		Ring, Ret Wire .561 ID
056		Seal, Lip 17 x 40 x 7
057		Ring, Ret 1.575 Internal
071		Ring, Ret .625 x External
090		Ring, Ret .206 Internal
096		Seal, Lip 25 x 52 x 10 TC (Gray)
130		Tube, Connecting
132		O-Ring - 137, .103 x 2.050
155		Ring, Sprial Ret .875
201	HG-71639	Kit, Center Section, LH, CHRG
020	HG-52910	Center Section, LH, CHRG
022	HG-51448	Plate, Bypass
024	HG-50564	Check Plug
025	HG-50564	Check Plug
026	HG-52162	Seal, Plug 1.250 x .250
027	HG-52137	HFHCS 3/8-16 x 1.5 (Patch)
028	HG-2003071	Brg, Jrnl
135	HG-9001214-4400	Ball, Steel 7/16"
136	HG-51157	Spring, Relief .42 x .75
137	HG-51805	Pin, Spring .125 x .875
202	HG-71436	Kit, Charge Relief
135	HG-9001214-4400	Ball, Steel 7/16"
136	HG-51157	Spring, Relief .42 x .75
137	HG-51805	Pin, Spring .125 x .875

Ref. No.	Part No.	Description
203	HG-71411	Kit, Charge
131	HG-50273	Gerorter Assembly (1.9cc/REV)
132	HG-52250	O-Ring - 137, .103 x 2.050
133	HG-52688	Cover, Charge Pump
134	HG-52768	Screw, Pan Head 1/4-20 x .75
210	HG-71442	Kit, Input Shaft
052	HG-52155	Shaft, Input
053	HG-50315	Brg, Ball 17 x 40 x 12 Open 6203
054	HG-2000022	Ring, Ret Wire .561 ID
211	HG-71827	Kit, RTN Bidirectional
044	HG-52904	Arm, Control
046	HG-51812	Screw 5/16-24 x 1.00 (Patch)
145	HG-52914	Assembly, RTN Bidirectional
212	HG-70633	Kit, Brake-Yoke
173	HG-44138	Bolt, Square Head
174	HG-50879	Brake Yoke

777D13983



777S3233

**⚠ DANGER**  
**ROTATING BLADES CAUSE SERIOUS INJURY OR DEATH**  
 • DO NOT MOW WHEN CHILDREN OR OTHERS ARE AROUND  
 • NEVER CARRY CHILDREN EVEN WITH BLADE(S) OFF.  
 • LOOK DOWN AND BEHIND BEFORE AND WHILE BACKING.  
 • MOWING IN REVERSE IS NOT RECOMMENDED.

**⚠ WARNING**  
**TO AVOID SERIOUS INJURY OR DEATH**  
 • GO UP AND DOWN SLOPES, NOT ACROSS.  
 • AVOID SUDDEN TURNS.  
 • DO NOT OPERATE THE UNIT WHERE IT COULD SLIP OR TIP.  
 • IF MACHINE STOPS GOING UPHILL, STOP BLADE(S) AND BACK DOWNHILL SLOWLY.  
 • KEEP SAFETY DEVICES (GUARDS, SHIELDS, AND SWITCHES, ETC.) IN PLACE AND WORKING.  
 • REMOVE OBJECTS THAT COULD BE THROWN BY THE BLADE(S).  
 • KNOW LOCATION AND FUNCTION OF ALL CONTROLS.  
 • BE SURE BLADE(S) AND ENGINE ARE STOPPED BEFORE PLACING HANDS OR FEET NEAR BLADE(S).  
 • BEFORE LEAVING OPERATOR'S POSITION, DISENGAGE BLADE(S), ENGAGE PARKING BRAKE, SHUT OFF AND REMOVE KEY.

**READ OPERATOR'S MANUAL**

**⚠ WARNING**  
 Operation Of This Equipment May Create Sparks That Can Start Fires Around Dry Vegetation. A Spark Arrestor May Be Required. The Operator Should Contact Local Fire Agencies For Laws Or Regulations To Fire Prevention Requirements.

**TO START**  
 1. DISENGAGE BLADES/PTO, (POWER TAKE OFF)  
 2. ENGAGE THE TRACTOR'S PARKING BRAKE.  
 3. ACTIVATE THE CHOKE CONTROL.  
 4. TURN KEY TO START ENGINE. AFTER START RELEASE KEY & DEACTIVATE CHOKE BY PLACING THROTTLE TO FAST "RABBIT" POSITION.

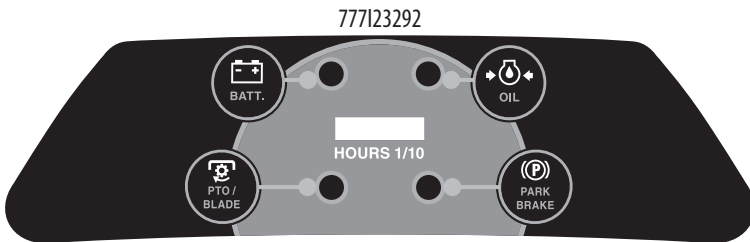
**OPERATING MODES**  
**NORMAL MOWING**  
 YOU MUST DISENGAGE BLADES/PTO, (POWER TAKE OFF) BEFORE TRAVELING IN REVERSE.  
**REVERSE CAUTION MODE**  
 1. TURN KEY TO REVERSE CAUTION MODE POSITION.  
 2. DEPRESS REVERSE PUSH BUTTON. (RED INDICATOR LIGHT "ON") WHEN RED LIGHT IS "ON" MACHINE CAN BE OPERATED IN REVERSE WITH MOWER BLADES ENGAGED.  
 (IMPORTANT: MOWING IN REVERSE IS NOT RECOMMENDED).  
 3. AFTER RESUMING FORWARD OPERATION, RETURN KEY TO "NORMAL MOWING" POSITION.  
**NOTE:** IN BOTH MODES, WHEN OPERATOR LEAVES SEAT, ENGINE WILL STOP UNLESS PARKING BRAKE IS SET AND BLADES ARE DISENGAGED.

**LOWER DASH**

**PARKING BRAKE**  
 DEPRESS BRAKE PEDAL.  
 PUSH PARKING BRAKE LEVER DOWN AND RELEASE PEDAL TO LOCK.

**CRUISE CONTROL**  
 DEPRESS SPEED CONTROL PEDAL TO DESIRED SPEED.  
 PUSH CRUISE CONTROL LEVER DOWN AND RELEASE PEDAL. PRESS BRAKE OR SPEED CONTROL TO RELEASE.

**FOR A LIST OF Optional Attachments, Please Refer To Your Operators Manual.**



777X44160

**MODEL GTX 1054 REPLACEMENT PARTS**

Use only Cub Cadet genuine factory parts

Blades	942-0677B (3)	Oil Filter	KH-12-050-01-S
Lower Drive Belt	954-04244A	Air Filter W/ Pre-Cleaner	KH-32-983-03-S1
Engine To Deck Belt	954-04083	Spark Plug	759-3336
Deck Spindles	918-0671B	Fuel Filter	KH-25-050-22-S1
Ignition Key	925-2054A	Oil Capacity	57.6 oz
Solenoid	725-04439		

www.cubcadet.com



777S33183

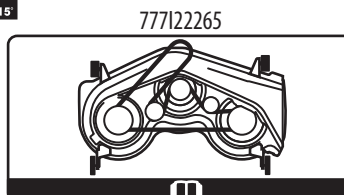
**⚠ DANGER**  
**AVOID SERIOUS INJURY OR DEATH**  
 • KEEP HANDS AND FEET AWAY FROM ROTATING PARTS.  
 • REMOVE OBJECTS THAT CAN BE THROWN BY THE BLADE IN ANY DIRECTION. WEAR SAFETY GLASSES.  
 • DO NOT MOW WHEN CHILDREN OR OTHERS ARE AROUND.  
 • NEVER CARRY CHILDREN EVEN WITH BLADES OFF.  
 • USE EXTRA CAUTION ON SLOPES. DO NOT MOW SLOPES GREATER THAN 15°. MOW ACROSS NOT UP AND DOWN. AVOID SUDDEN TURNS. USE LOW SPEED.  
 READ OPERATOR'S MANUAL. KEEP SAFETY DEVICES IN PLACE AND WORKING.



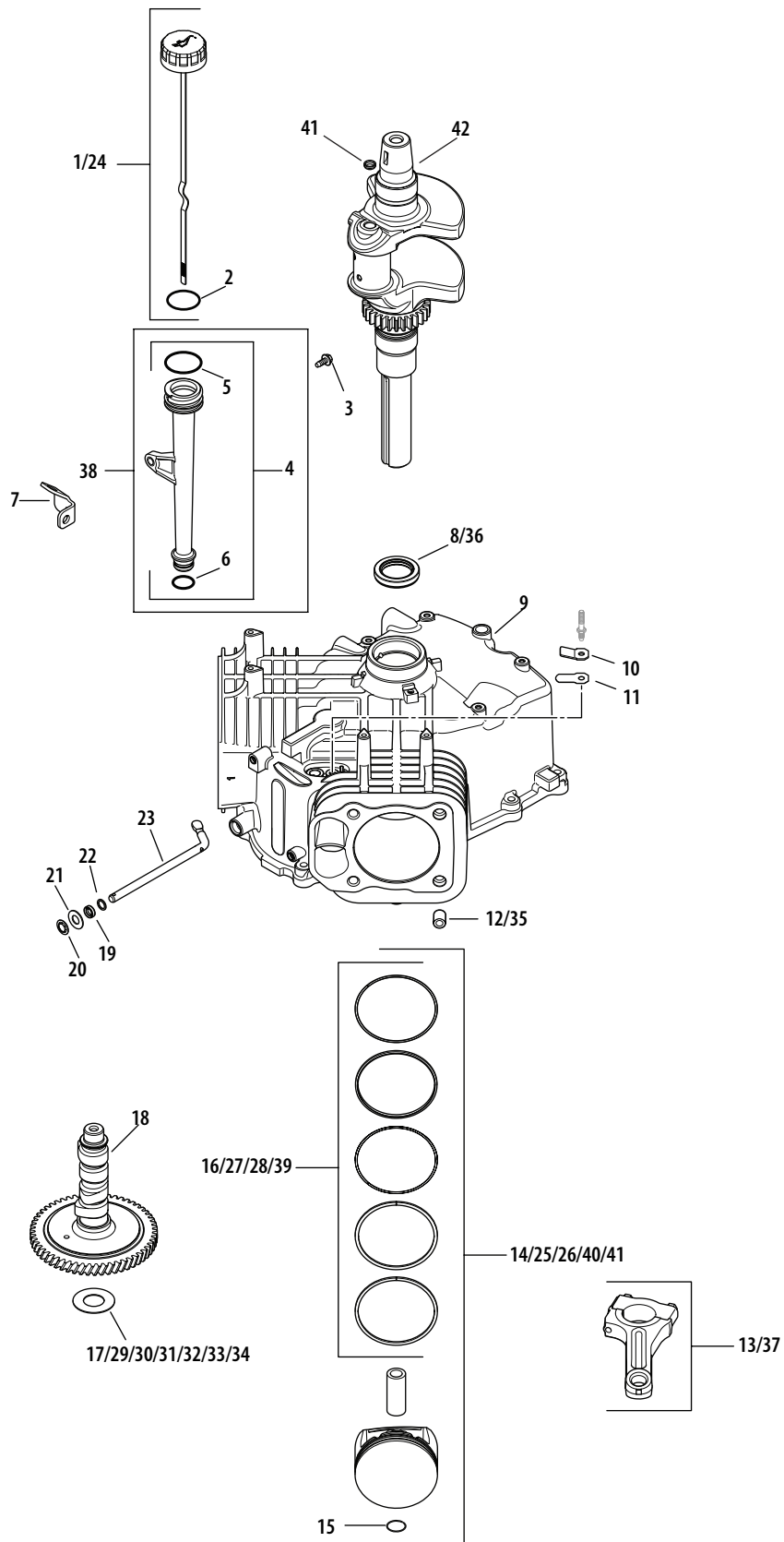
777S30503

**⚠ DANGER**  
 KEEP HANDS AND FEET AWAY. DO NOT OPERATE MOWER UNLESS CHUTE DEFLECTOR OR ENTIRE GRASS CATCHER IS IN ITS PROPER PLACE.

ASSEMBLE CHUTE DEFLECTOR TO THIS UNIT BEFORE OPERATING.



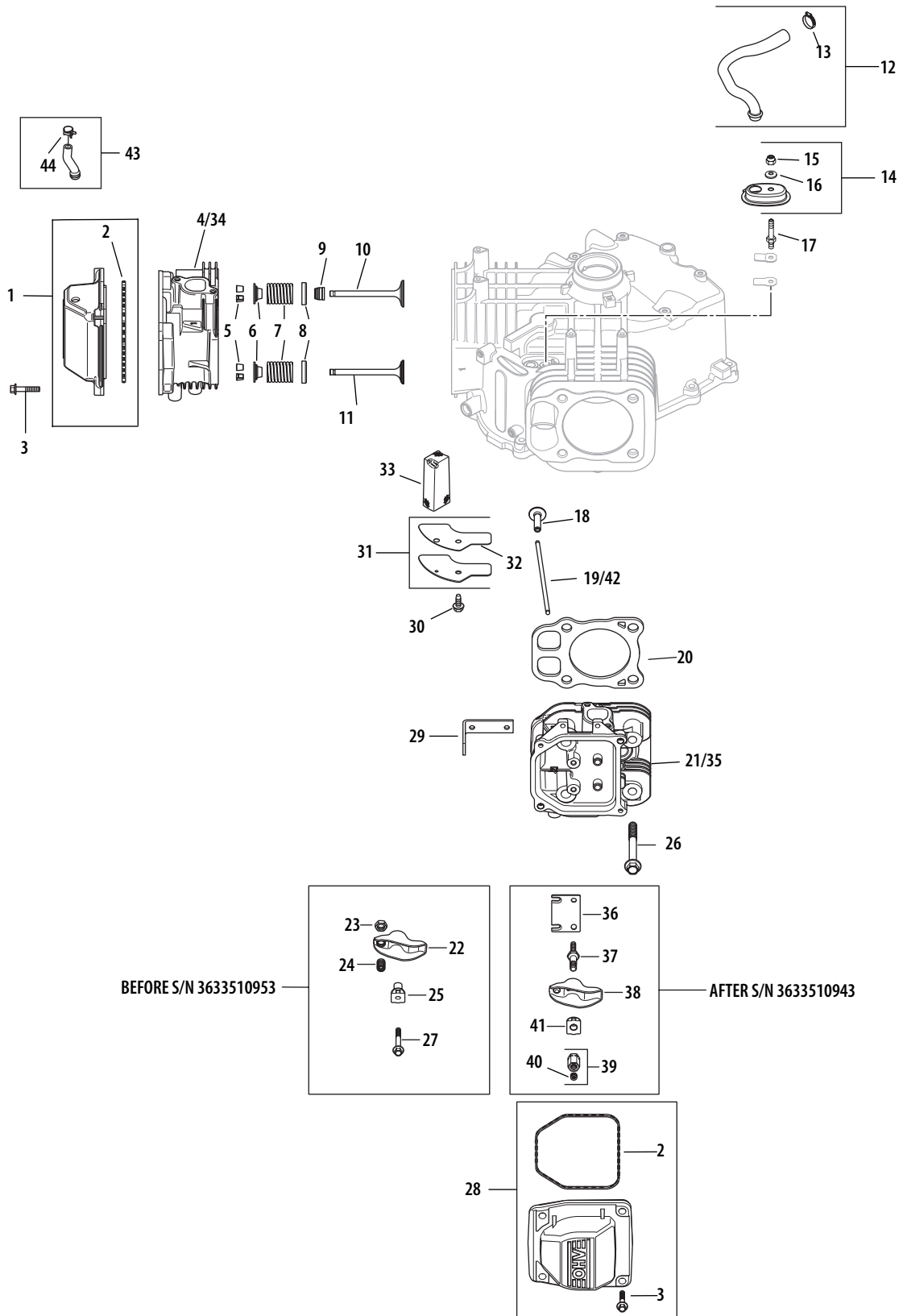
# Kohler SV740-0002 Crankcase and Crankshaft



## Kohler SV740-0002 Crankcase and Crankshaft

Ref.	Part Number	Description
2	KH-25-153-02-S	Dipstick Assembly (Includes 2)
3	KH-M-545013-S	Flg. Thd. Frm. Screw, M5 X 0.8 X 13
7	KH-24-126-19	Oil Fill Tube Bracket
10	KH-24-018-04-S	Breather Reed Retainer
11	KH-12-402-02	Breather Reed
12	KH-24-380-16-S	Locating Pin
14	KH-25-874-01-S	Piston Kit w/ Ring Set (Inc. 15, 16)
15	KH-24-018-01-S	Piston Pin Retainer
17	KH-12-422-07-S	Camshaft Shim (White .028")
18	KH-32-012-01-S	Camshaft Kit (Inc. KH-25-357-14-S)
19	KH-28-032-09-S	Governor Cross Shaft Seal
20	KH-24-018-09-S	Ring Retainer
21	KH-M-931010-S	Flat Washer, 9 Mm
22	KH-24-468-15-S	Flat Washer, 11/32
23	KH-24-144-38-S	Governor Cross Shaft
24	KH-24-038-04-S	Dipstick Assembly (Inc. 2)
25	KH-25-874-03-S	Piston Kit w/ Ring Set (0.25) 83mm
28	KH-24-108-16-S	Ring Set (.25)
29	KH-12-422-08-S	Camshaft Shim (Blue .03")
30	KH-12-422-09-S	Camshaft Shim (Red .032")
31	KH-12-422-10-S	Camshaft Shim (Yellow .034")
32	KH-12-422-11-S	Camshaft Shim (Green .036")
33	KH-12-422-12-S	Camshaft Shim (Gray .038")
34	KH-12-422-13-S	Camshaft Shim (Black .04")
36	KH-24-032-19-S	Oil Seal (Helix Lip)
37	KH-24-067-24-S	Connecting Rod (Std)
38	KH-25-123-07-S	Tube Assembly (Inc. 4-6)
39	KH-24-108-14-S	Ring Set (Std)
40	KH-25-874-01-S	Kit, Piston w/Ring
41	KH-52-139-09-S	Cup Plug
42	KH-32-014-04-S	Crankshaft (Includes 2)
N/A	KH-25-357-14-S	Camshaft Lubricant
N/A	KH-32-522-03	SV710-740 Shortblock
N/A	KH-32-755-01-S	Gasket Set

# Kohler SV740-0002 Head/Valve/Breather

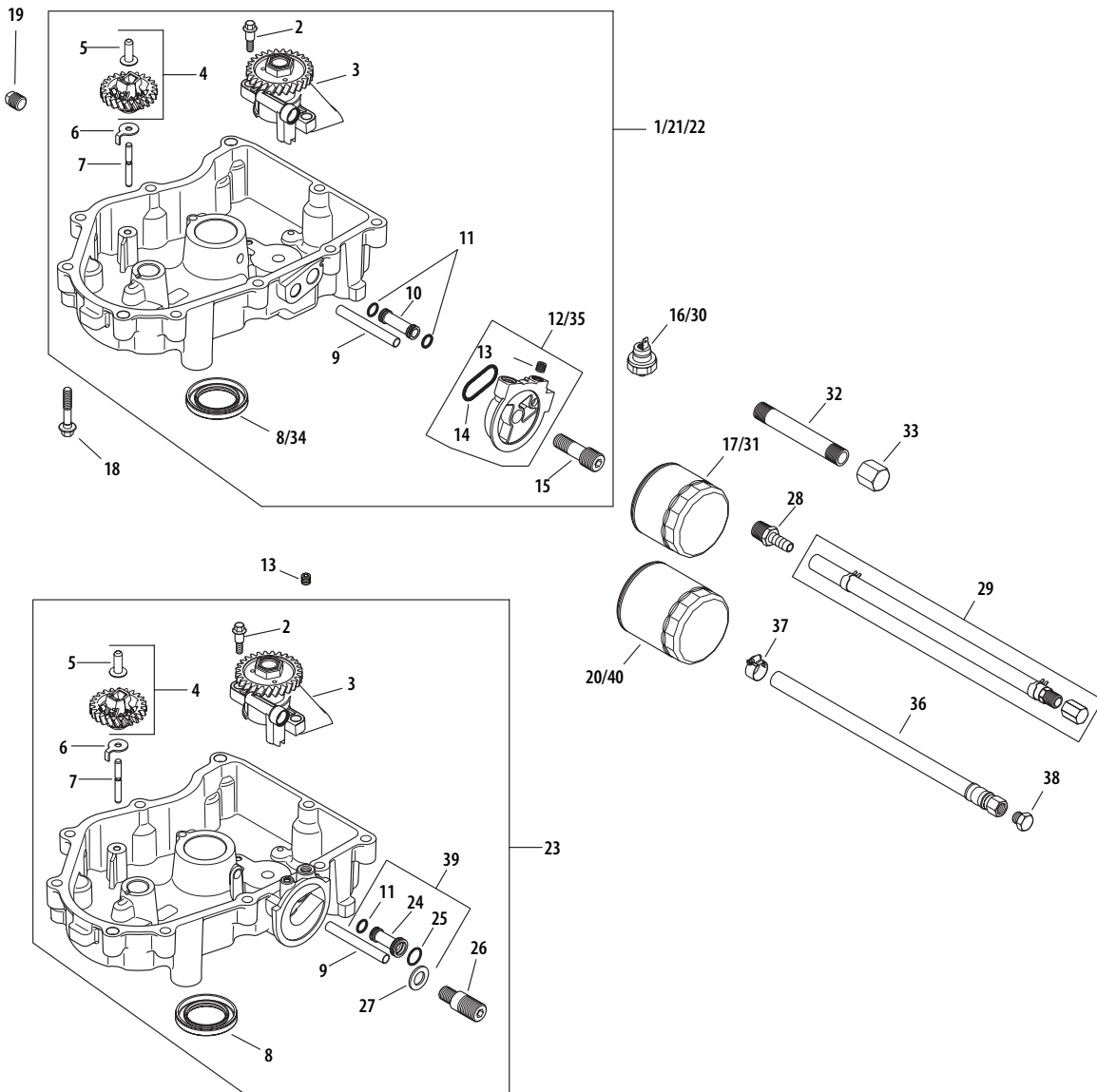




## Kohler SV740-0002 Head/Valve/Breather

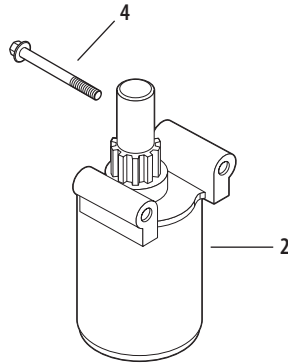
Ref.	Part Number	Description
1	KH-32-096-06-S	Breather Valve Cover Kit (Inc. 2)
2	KH-24-153-30-S	Valve Cover O-Ring
3	KH-M-651030-S	Flg. Screw, M6 X 1.0 X 30
5	KH-12-755-03	Retainer Kit
6	KH-12-173-01	Valve Spring Cap
7	KH-24-089-02	Valve Spring
8	KH-235011-S	Spring Retainer
9	KH-66-032-05-S	Valve Stem Seal
10	KH-24-017-01	Intake Valve (Std)
11	KH-24-016-01	Exhaust Valve (Std)
12	KH-32-326-06-S	Kit, Breather Hose Kit (Inc. 13)
13	KH-25-237-14-S	Hose Clamp, 1/2
14	KH-32-081-02-S	Breather Housing Kit (Inc. 15, 16)
15	KH-M-547050-S	Lock Nut, M 5 X .8
16	KH-32-468-01-S	Sealing Washer
17	KH-32-072-03-S	Breather Cover Stud
18	KH-32-019-02-S	Tappet
20	KH-32-841-01-S	Cylinder Head Gasket Kit (Inc. 26, KH-24-041-49-S And KH-24-153-27-S)
26	KH-12-086-16	Flg. Screw, M 10 X 1.5 X 90
28	KH-24-755-141-S	Breather Valve Cover Kit (Inc. 2 & 3)
29	KH-25-445-01-S	Lifting Strap
30	KH-M-645016-S	Flg. Thd. Frm. Screw, M6 X 1.0 X 16
31	KH-32-096-04-S	Breather Cover Kit (Inc. 32)
33	KH-32-050-01-S	Breather Filter
34	KH-32-318-13-S	#1 Cylinder Head Assembly Kit (Inc. Exhaust Mounting Hardware)
35	KH-32-318-14-S	#2 Cylinder Head Assembly Kit (Inc. Exhaust Mounting Hardware)
36	KH-32-146-09-S	Guide Plate
37	KH-32-072-04-S	Rocker Stud
38	KH-32-186-03-S	Rocker Arm
39	KH-32-100-05-S	Hex Nut Assembly (Includes 39)
40	KH-25-086-168-S	Set Screw
41	KH-25-599-01-S	Rocker Arm Pivot
42	KH-32-411-04-S	Push Rod
43	KH-32-326-07-S	Fuel Pump Hose w/ Clamp Kit (Inc. 44)
44	KH-25-237-01-S	Hose Clamp
N/A	KH-32-755-03-S	Cylinder Head Hardware Kit (Services 1 Head, Quantities Listed Are For Both Heads) (Inc. 5-11, 19, 22, 25 & 34)
N/A	KH-24-153-27-S	Intake Port O-Ring

# Kohler SV740-0002 Oil Pan/Lubrication



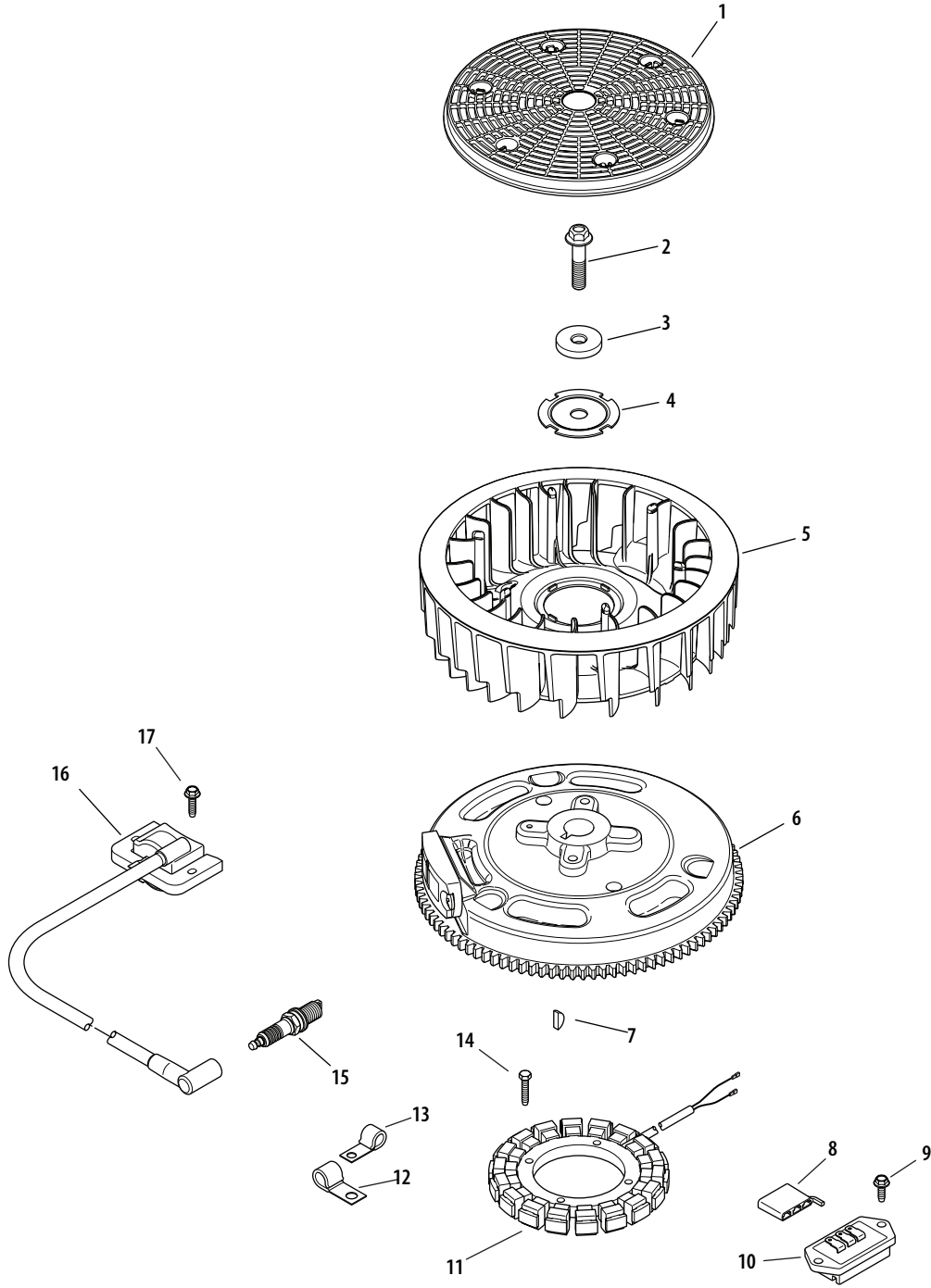
Ref.	Part Number	Description
2	KH-32-086-01-S	Shd. Thd. Frm. Screw, M6 X .0 X 6.5
3	KH-32-393-10-S	Oil Pump Assembly
4	KH-24-043-12	Governor Gear w/ Pin Kit (Inc. 5)
5	KH-12-380-01	Governor Regulating Pin
6	KH-24-448-02-S	Locking Tab
7	KH-12-144-02	Governor Gear Shaft
8	KH-25-032-06-S	Oil Seal
9	KH-32-123-01-S	Oil Feed Tube - Filter To Pan
11	KH-24-153-01	Oil Pick-Up O-Ring
13	KH-25-139-60-S	Plug, Ctsk. Pipe Plug, 1/8

Ref.	Part Number	Description
17	KH-12-050-01-S	Oil Filter
18	KH-24-086-17-S	Flg. Screw, M8 x 1.25 x 45
19	KH-25-139-57-S	Sq. Hd. Pipe Plug, 3/8
23	KH-32-199-14-S	Oil Pan Assembly (Inc. 2-9, 11, 24-27)
24	KH-32-123-06-S	Oil Feed Tube
25	KH-32-153-05-S	O-Ring
26	KH-32-136-05-S	Oil Filter Nipple
27	KH-32-468-02-S	Flat Washer
39	KH-32-123-09-S	Oil Feed Tube Assembly (Includes 11, 24, 25)



Ref.	Part Number	Description
2	KH-32-098-03-S	Starter Assembly
4	KH-M-851080-S	Flg. Screw, M8 X 1.25 X 80

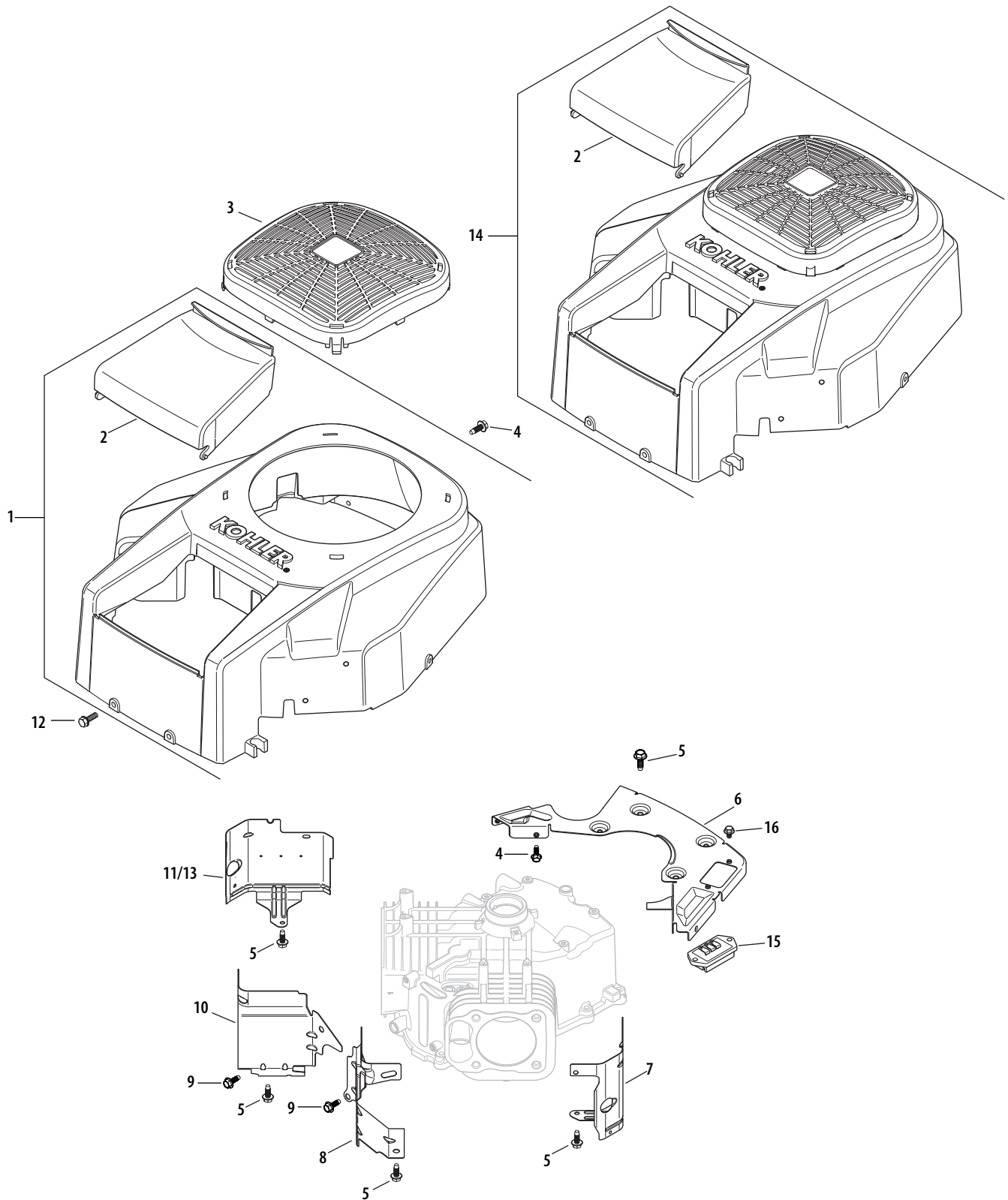
# Kohler SV740-0002 Ignition/Electrical



## Kohler SV740-0002 Ignition/Electrical

Ref.	Part Number	Description
1	KH-32-162-03-S	Grass Screen
2	KH-12-086-14	Flg. Screw, M 10 X 1.5 X 45
3	KH-12-468-03	Flat Washer, 13/32
4	KH-20-146-05-S	Fan Mounting Plate
5	KH-32-157-01-S	15 Amp Stator Kit (Inc. KH-25-452-01-S)
6	KH-32-025-15-S	Flywheel Assembly
7	KH-X-42-15	Key, 3/16 X 5/8
8	KH-25-155-41-S	Connector
11	KH-237878	15 Amp Stator Kit
14	KH-M-548025-S	Thd. Frm. Screw, M5 X 0.8 X 25
15	759-3336	Spark Plug
16	KH-24-584-52-S	Module Ignition Kit
17	KH-M-545020-S	Flg. Thd. Frm. Screw, M5 X .8 X 20
N/A	KH-25-454-03-S	Wire Tie
N/A	KH-25-454-05-S	Tie
N/A	KH-32-176-26-S	Wiring Harness
N/A	KH-25-454-05-S	Tie
N/A	KH-25-452-01-S	Terminal

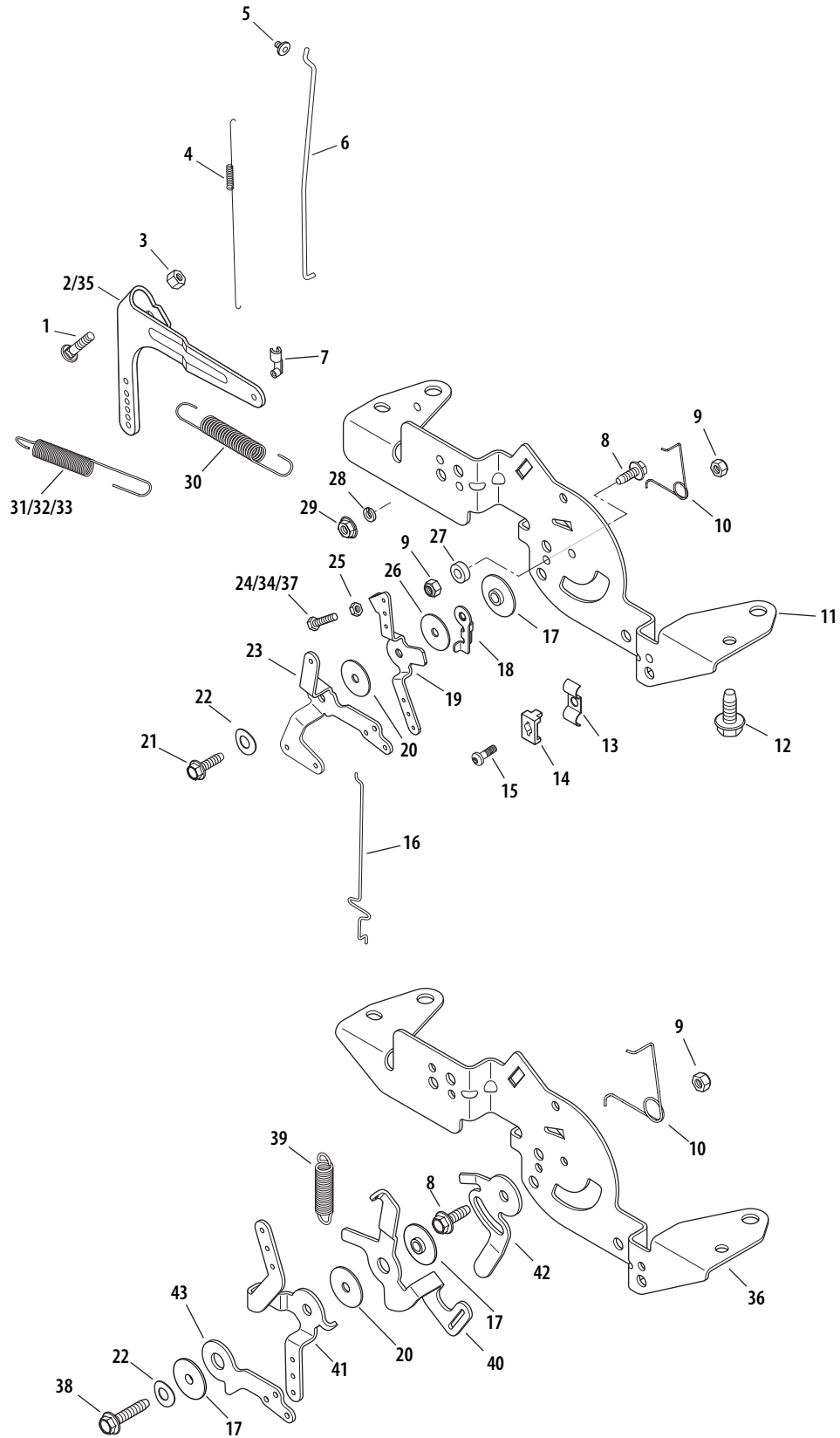
# Kohler SV740-0002 Blower Housing & Baffles



## Kohler SV740-0002 Blower Housing & Baffles

Ref.	Part Number	Description
1	KH-32-027-03-S	Housing Blower Kit (Inc. 2 & KH-41-037-10-S)
2	KH-32-096-08-S	Air Cleaner Cover
4	KH-M-545016-S	Flg. Thd. Frm. Screw, M5 X 0.8 X 16
5	KH-M-645016-S	Flg. Thd. Frm. Screw, M6 X 1.0 X 16
6	KH-32-146-05-S	Backing Plate Kit
7	KH-32-063-12-S	Cyl. Barrel Baffle - #2 Side
8	KH-32-063-02-S	Valley Baffle - #2 Side
9	KH-M-545010	Flg. Thd. Frm. Screw, M5 X .8 X 10
10	KH-32-063-03-S	Valley Baffle - #1 Side
11	KH-32-063-10-S	Cyl. Barrel Baffle - #1 Side
12	KH-24-086-12	Tap Screw, M6 X 1.7 X 18
15	KH-41-403-10-S	Regulator/Rectifier
16	KH-25-086-158-S	Flg. Thd. Frm. Screw, M6 X 1.0 X 10
N/A	KH-41-037-10-S	Service Nameplate

# Kohler SV740-0002 Engine Controls

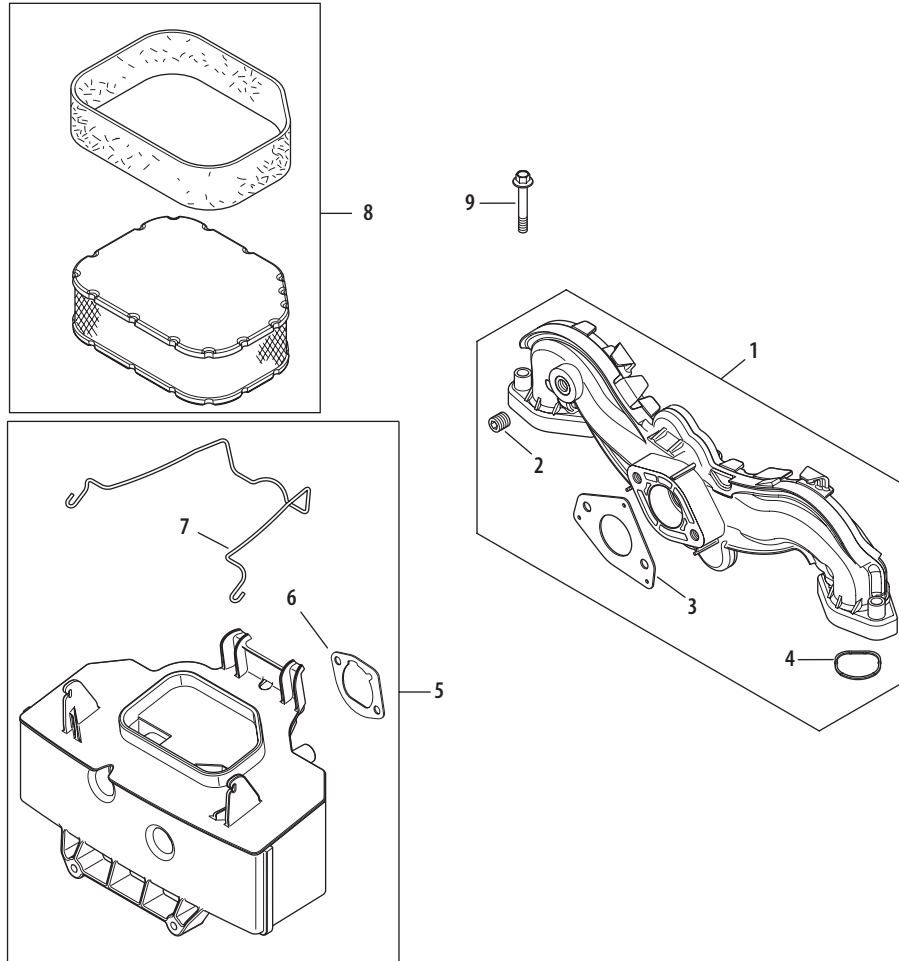




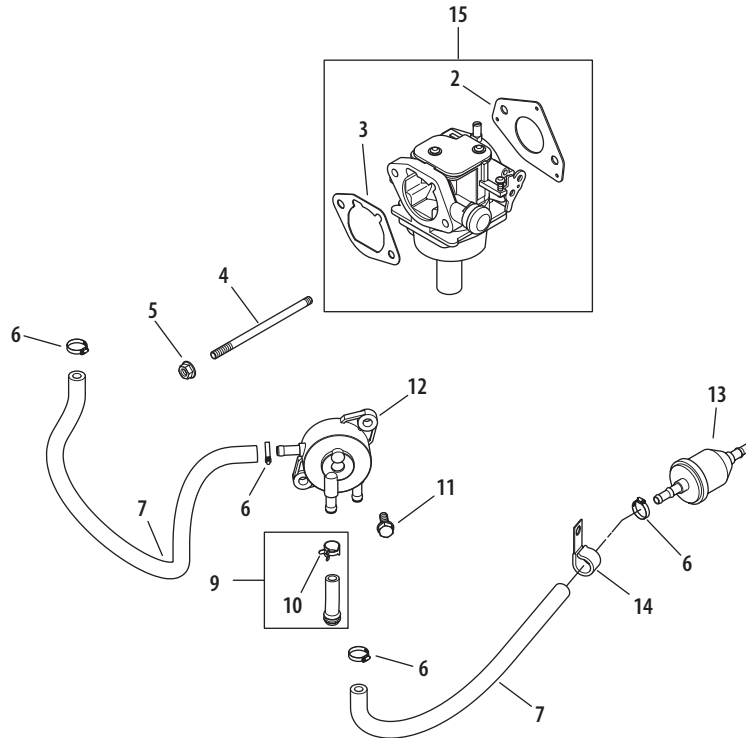
## Kohler SV740-0002 Engine Controls

Ref.	Part Number	Description
1	KH-24-211-03-S	Rd. Hd. Sq. Neck Bolt, M6 X 1.0 X 25
3	KH-M-641060-S	Flg. Nut, M6 X 1.0
4	KH-24-089-01	Linkage Spring
5	KH-25-158-08	Linkage Retaining Bushing
6	KH-24-079-04	Throttle Linkage
7	KH-25-158-11	Throttle Linkage Bushing
8	KH-M-545016-S	Flg. Thd. Frm. Screw, M5 X 0.8 X 16
9	KH-M-547050-S	Lock Nut, M5 X .8
10	KH-24-089-03	Choke Return Spring
12	KH-M-645016-S	Flg. Thd. Frm. Screw, M6 X 1.0 X 16
14	KH-12-237-01	Cable Clamp
15	KH-24-086-43-S	Lbd. Thd. Frm. Screw, M5 X 0.8 X 16
16	KH-24-079-22-S	Choke Linkage
17	KH-24-112-27-S	Control Assembly Spacer
20	KH-24-468-01	Flat Washer. 5.5mm
22	KH-41-468-03	Spring Washer, 1/4
30	KH-24-089-55-S	Governor Spring
33	KH-24-089-18	Governor Spring
35	KH-24-090-51-S	Governor Lever
36	KH-24-126-172-S	Control Bracket
38	KH-25-086-151-S	Thd. Frm. Screw, M5 X 0.8 X 25mm
39	KH-32-089-03-S	Speed Control Spring
40	KH-32-090-07-S	Governor Spring Lever
41	KH-32-090-08-S	Speed Control Lever
42	KH-32-090-09-S	Speed Setting Lever
43	KH-32-090-10-S	Choke Lever

# Kohler SV740-0002 Air Intake/Filtration



Ref.	Part Number	Description
1	KH-24-164-91-S	Intake Manifold Kit (Inc. 2-4)
2	KH-24-041-52-S	Carburetor Gasket
3	KH-24-153-27-S	Intake Port O-Ring
4	KH-25-139-60-S	Ctsk. Pipe Plug, 1/8
5	KH-32-094-04-S	Air Cleaner Base Kit (Inc. 5 & 6)
6	KH-24-041-14	Air Cleaner Base Gasket
7	KH-32-344-02-S	Air Cleaner Element Latch
8	KH-32-883-03-S1	Air Filter Element / Pre-Cleaner
9	KH-M-651040-S	Flg. Screw, M6 X 1.0 X 40
N/A	KH-24-757-45-S	Solenoid Valve Repair Kit (Inc. 2 & 3)
N/A	KH-24-757-46-S	Repair Overhaul Kit (Inc. 2 & 3)



Ref.	Part Number	Description
2	KH-24-041-52-S	Carburetor Gasket
3	KH-24-041-14	Air Cleaner Base Gasket
4	KH-M-629105-S	Stud, M6 X 1.0 X 106
5	KH-M-641060-S	Flg. Nut, M6 X 1.0
6	KH-25-237-14-S	Hose Clamp, 1/2
7	KH-25-111-34-S	Fuel Line
11	KH-24-086-12	Tap Screw, M6 X 1.7 X 18
12	KH-24-393-16	Fuel Pump
13	KH-25-050-22-S1	Fuel Filter

Ref.	Part Number	Description
14	KH-47-154-01-S	Cable Clip
15	KH-32-853-12-S	Carburetor Kit, 19mm (Inc. 2 & 3)
N/A	KH-24-757-36-S	Choke Repair Service Kit (Inc. 2 & 3)
N/A	KH-24-757-38-S	Gasket Repair Service Kit (Inc. 2 & 3)
N/A	KH-24-757-44-S	Float Kit (Inc. 2 & 3)
N/A	KH-24-757-45-S	Solenoid Valve Repair Kit (Inc. 2 & 3)
N/A	KH-24-757-46-S	Repair Overhaul Kit (Inc. 2 & 3)

## Kohler SV740-0002 Miscellaneous

<b>Ref.</b>	<b>Part Number</b>	<b>Description</b>
N/A	Decals	
—	KH-25-113-39-S	Clear Laminate Decal
—	KH-32-113-60-S	Fill Check Decal
—	KH-32-113-09-S	27HP Courage Twin (Bullets) Decal
N/A	KH-32-522-03	SV710-740 Shortblock
N/A	KH-32-755-01-S	Gasket Set

Notes

Lined area for writing notes, consisting of 20 horizontal lines.







To order replacement parts, call the Customer Dealer Referral Line at 1-877-282-8684  
or visit [www.cubcadet.com](http://www.cubcadet.com) to find the nearest Cub Cadet dealer in your area.

---

**CUB CADET LLC, P.O. BOX 361131 CLEVELAND, OHIO 44136-0019**

---