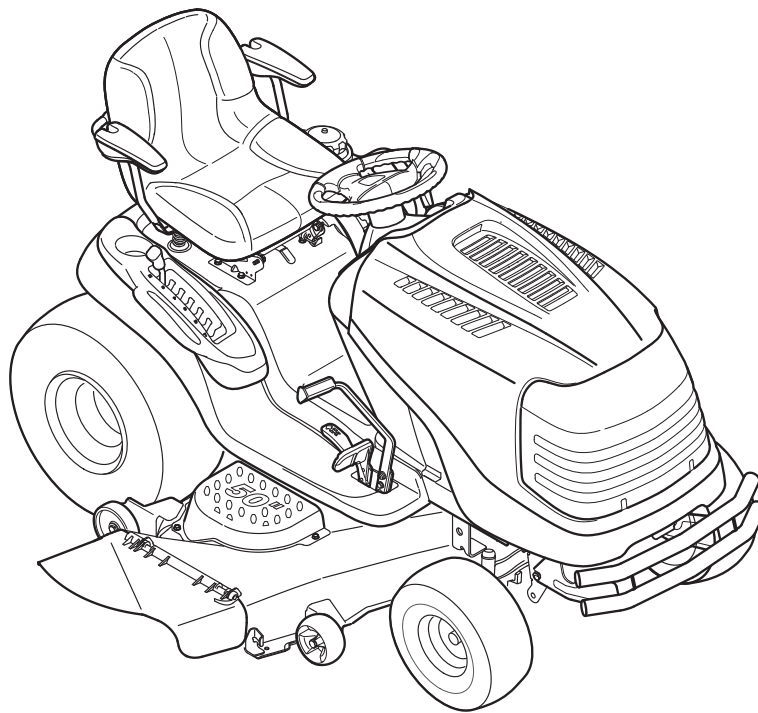

Cub Cadet.

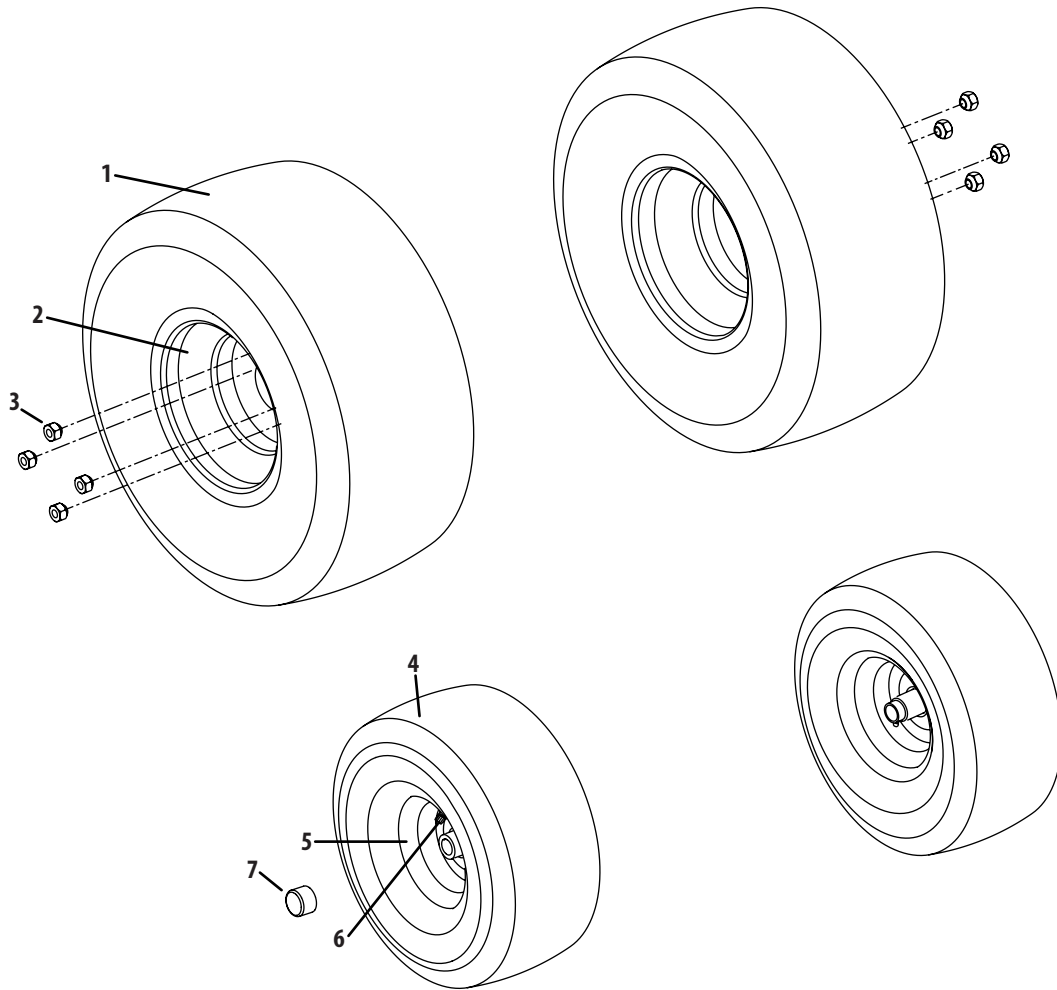
ILLUSTRATED PARTS MANUAL



Hydrostatic Garden Tractor — Model GT1554

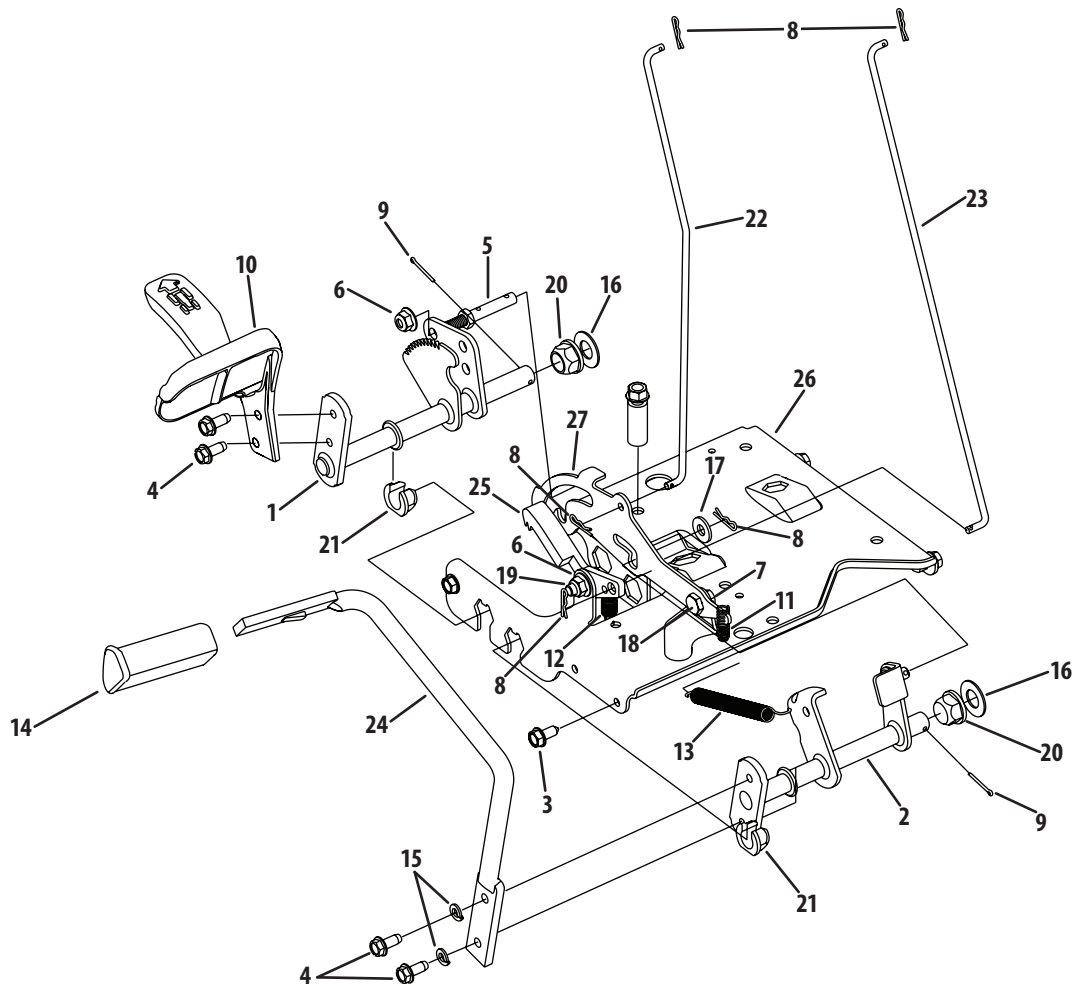
CUB CADET LLC, P.O. BOX 361131 CLEVELAND, OHIO 44136-0019

Wheel Assembly



Ref.	Part Number	Description
1	734-04147-0901	Tire, 23 x 10.5 x 12
2	634-04238-0499	Rim Assembly, 12.0 x 7.0
—	934-0255	Tubeless Air Valve
3	712-3050	Lug Nut, 7/16-14
4	734-04148-0901	Tire, 16 x 7.5 x 8
5	934-04082-0499	Rim Assembly, 8 x 5.38
—	741-0990B	Flange Bearing, .760 ID w/ Grease Ftg.
—	741-0516B	Flange Bearing, .760 x 1.00 x 1.20
6	934-0255	Tubeless Air Valve
7	731-05674	Hub Cap

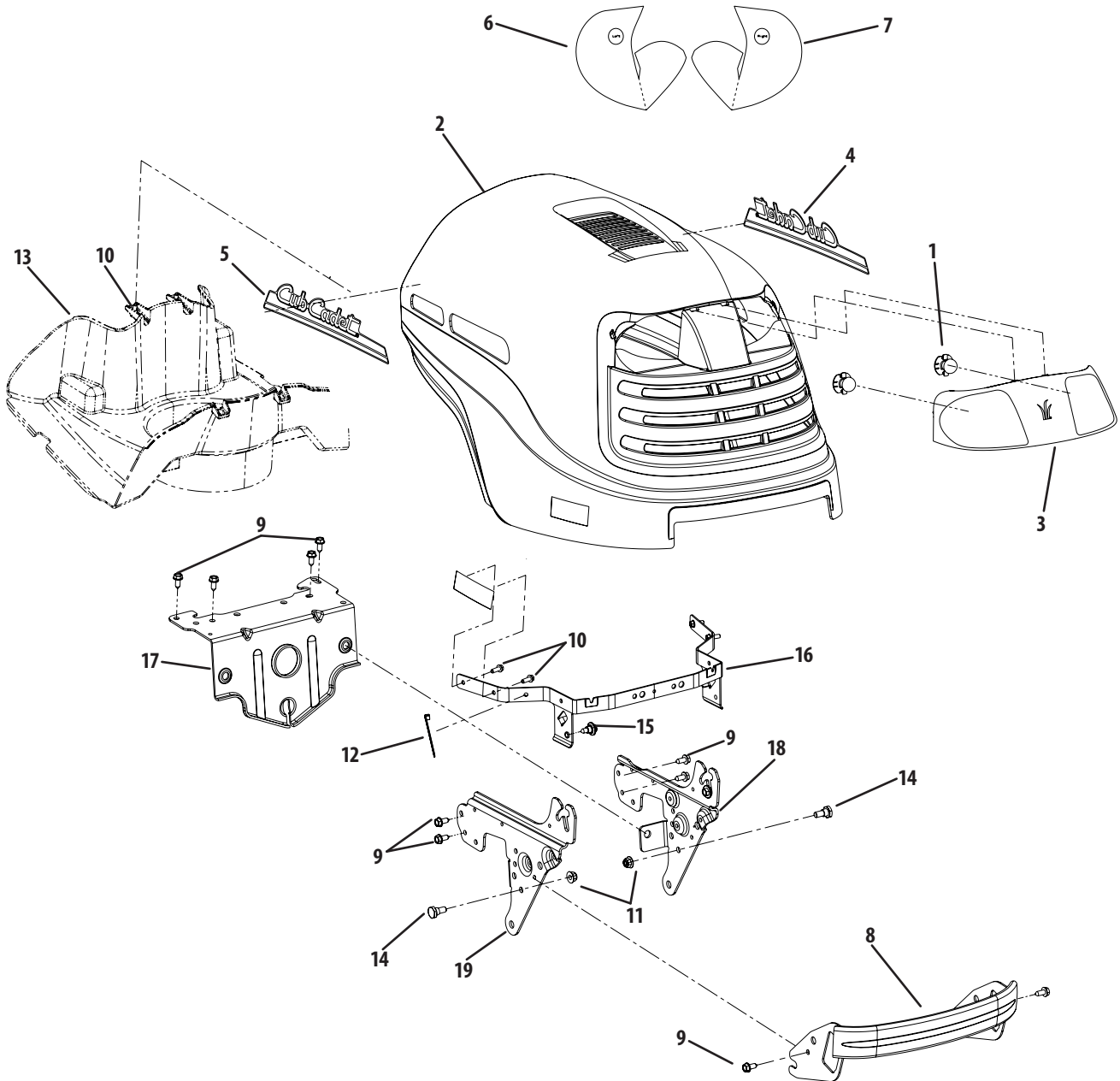
Pedal Assembly



Ref.	Part Number	Description
1	647-0049A-0637	Hydro Control Assembly
2	647-04100-0637	Brake Control Assembly
3	710-04484	Self-Tapping Screw, $\frac{5}{16}$ -18 x 0.75
4	710-1260A	Self-Tapping Screw, $\frac{5}{16}$ -18 x 0.75
5	711-04159B	Pin, $\frac{3}{8}$ -16 x 2.68
6	712-04065	Nylon Lock Nut, $\frac{3}{8}$ -16
7	712-3004A	Flange Lock Nut, $\frac{5}{16}$ -18
8	914-0104	Cotter Pin, .072 x 1.13
9	914-0111	Cotter Pin, $\frac{3}{32}$ x 1.0
10	719-0584B-0637	Hydro Control Pedal
11	732-0335	Compression Spring, .405 x 1.17
12	732-0955	Extension Spring, .50 x 1.41
13	732-0963	Extension Spring, .50 x 6.37
14	735-3049A	Brake Control Pad

Ref.	Part Number	Description
15	936-0119	Lock Washer, $\frac{5}{16}$
16	736-0187	Flat Washer, .64 x 1.24 x .06
17	736-0262	Flat Washer, .385 x .870 x .092
18	938-0155	Shoulder Screw, .437
19	938-0380	Shoulder Screw, $\frac{3}{8}$ -16
20	941-0225	Hex Flange Bearing
21	741-3065B	Hex Flange Bearing, .628
22	747-04093A	Brake Lock Control Rod
23	747-04096	Cruise Control Rod
24	747-04641A-0637	Brake Pedal
25	748-04039C	Cruise Latch
26	783-04612-0637	Steering Support Bracket
27	783-0663E	Hydro Lockout Bracket

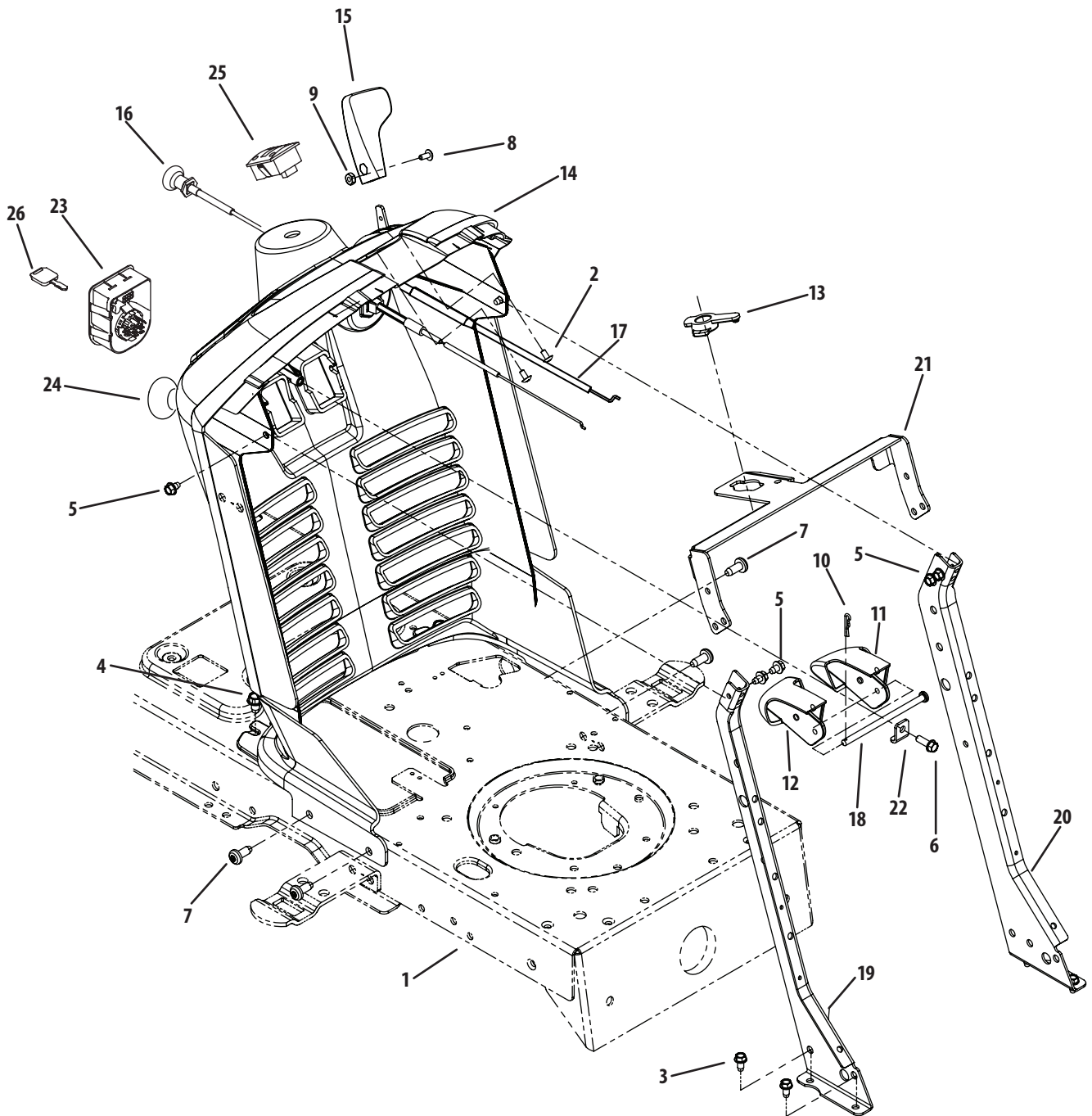
Hood & Grill



Hood & Grill

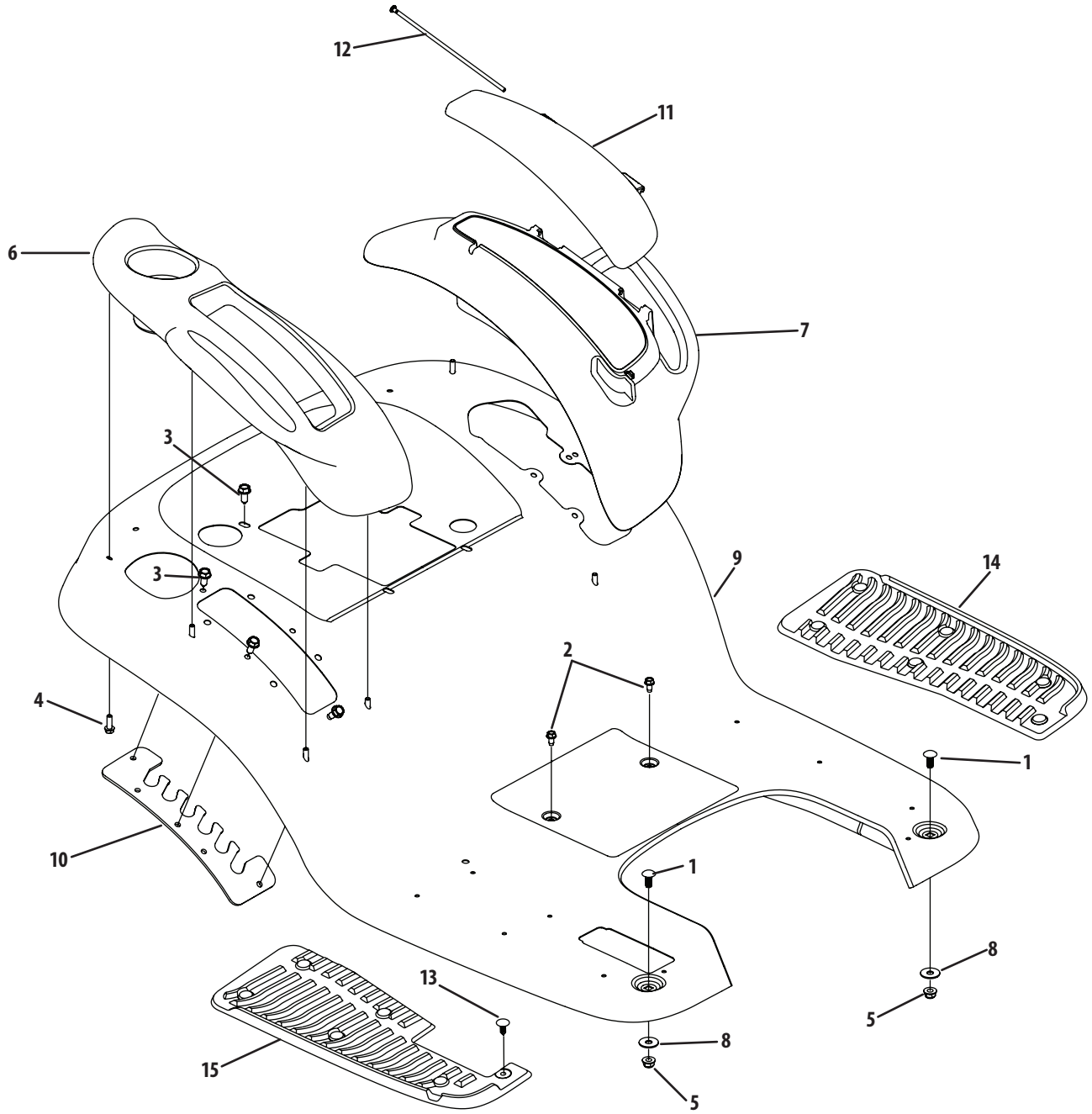
Ref.	Part Number	Description
1	N/A	Socket Assembly
—	925-0963	Miniature Lamp, 12V
—	925-1649	Lamp Socket
2	931-04567A	Hood Cub 1000
3	931-04577	Cub 1000 Headlight Lens
4	777D09701	Cub 1000 Heat Label, LH
5	777D09702	Cub 1000 Heat Label, RH
6	777X41562	Cub 1000 Right Lens Label
7	777X41563	Cub 1000 Left Lens Label
8	683-04238-0637	Bumper Assembly
9	710-04484	Hex Washer Screw, 5/16-18 x .750
10	710-0895	Hex Washer Screw, 1/4-15 x .750
11	712-04065	Flange Lock Nut, 3/8-16
12	725-0157	Cable Tie
13	731-04569A	Hood Plenum
14	738-0143	Shoulder Bolt, 3/8-16 x .496 x .336
15	738-04091A	Shoulder Screw, 5/16-18 x .43 x .29
16	783-04606C-0637	Hood Pivot Bracket
17	783-05326-0637	Pivot Bar Bracket
18	783-05417-0637	Pivot Support Bracket, LH
19	783-05418-0637	Pivot Support Bracket, RH

Dash Assembly



Dash Assembly

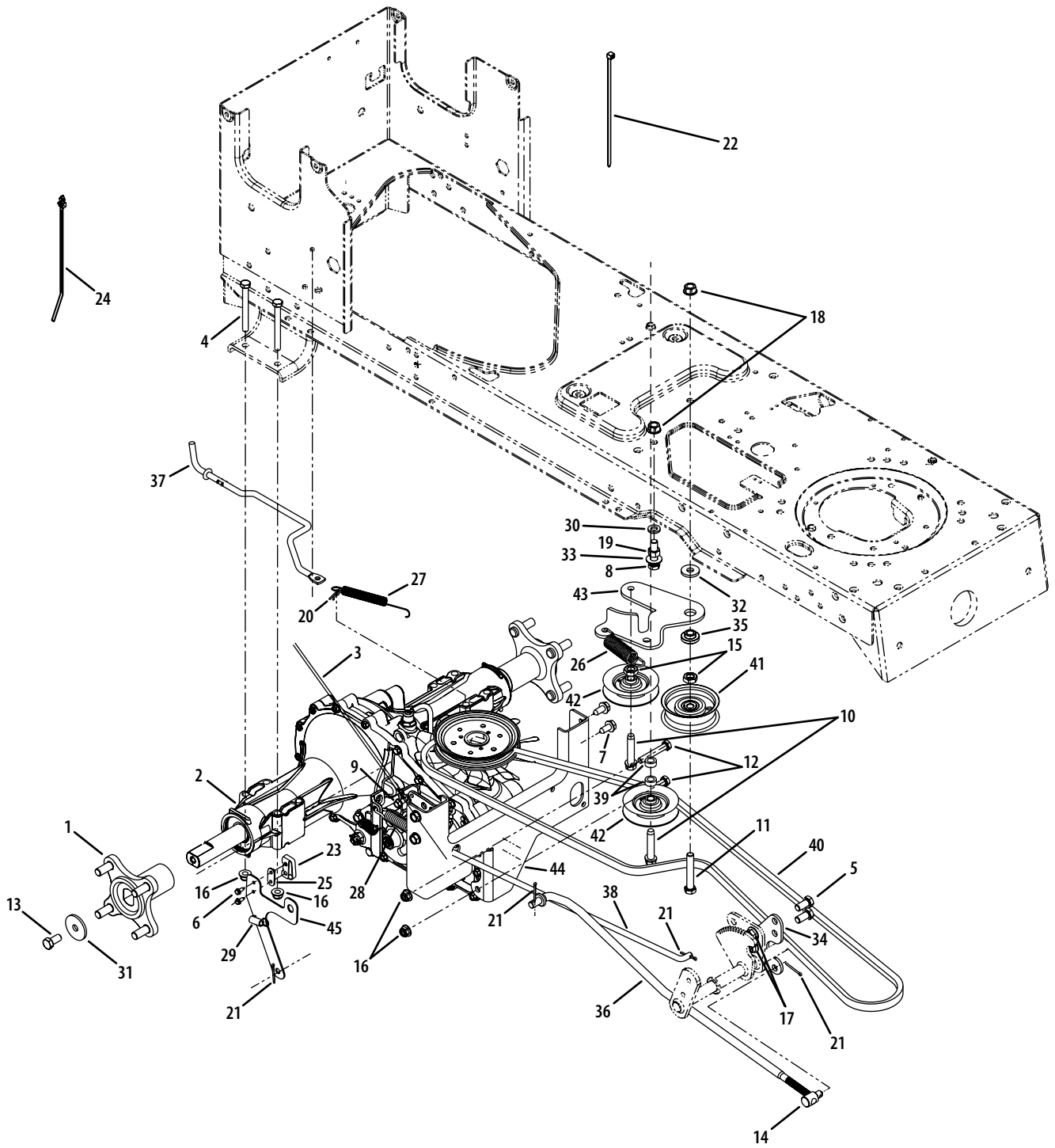
Ref.	Part Number	Description
1	683-04099-0637	Lower Frame Assembly
2	710-0192	Machine Screw, #10-24 x .375
3	710-0599	Hex Washer Screw, ¼-20 x .500
4	710-0607	Hex Washer Screw, ⅝-18 x .500
5	710-0653	Hex Washer Screw, ¼-20 x .375
6	710-0895	Hex Washer Screw, ¼-15 x .750
7	710-1611B	Screw, ⅝-18 x .750
8	710-3217	Machine Screw, #8-32 x .375
9	712-0142	Hex Nut, #8-32
10	914-0104	Cotter Pin, .072 x 1.13
11	731-04293A	Brake Lever
12	731-04294A	Cruise Lever
13	731-05659	Shift Bushing
14	931-06553	Cub Dash
15	931-3161A	Throttle Knob
16	746-0616A	Choke Control
17	746-1087	Throttle Cable
18	747-1323A	Rod, .250 x 4.55
19	783-04285F-0637	RH Dash Support
20	783-04323F-0637	LH Dash Support
21	783-05453A-0637	Dash Support Bracket
22	783-1499-0637	Bracket
23	925-04227B	Key Module Switch
24	725-04258	PTO Switch
25	925-04022B	Hour Indicator Meter
26	925-1745A	Key
NS	751-0658E	Fuel Tank
NS	751-0603A	Fuel Cap
NS	710-04484	Hex Washer Screw, ⅝-18 x .750



Fender

Ref.	Part Number	Description
1	710-0451	Carriage Bolt, 5/16-18 x .750
2	710-0599	Hex Washer Screw, 1/4-20 x .500
3	710-04484	Hex Washer Screw, 5/16-18 x .750
4	710-0895	Hex Washer Screw, 1/4-15 x .750
5	712-04063	Flange Lock Nut, 5/16-18
6	731-06700	Fender Cover, RH
7	731-06676	Fender Cover, LH
8	736-3078	Flat Washer, .344 x 1.0 x .063
9	783-06250-4021	A-Style Fender
10	783-0677B-0637	Lift Adjust Bracket
11	731-06584	Fender Cover Door
12	747-05039	Pod Door Pin
13	726-3046	Ratchet Clip
14	735-0697A	Foot Pad, LH
15	735-0698B	Foot Pad, RH

Drive System

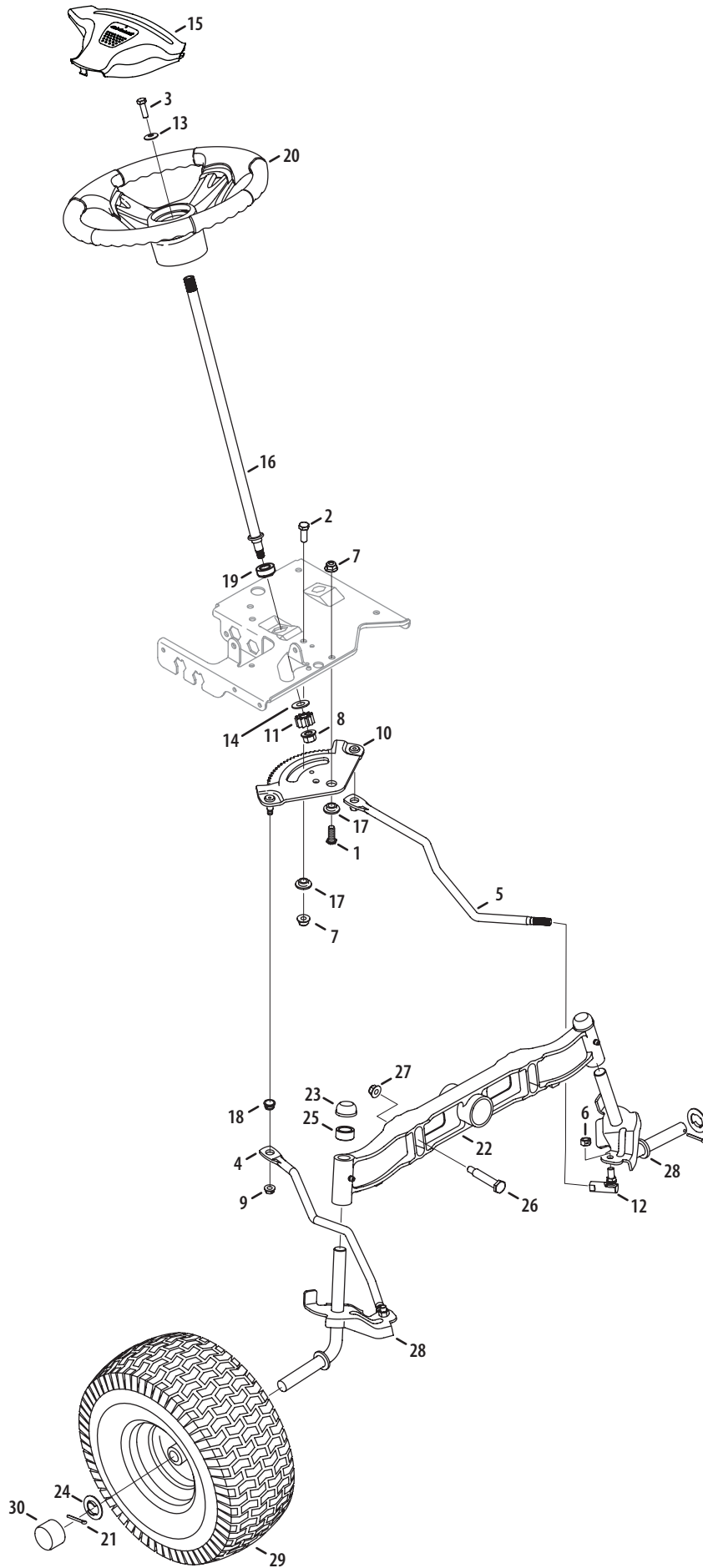


Drive System

Ref.	Part Number	Description
1	918-04317	Hub Assembly
2	918-04468	Transmission, Hydrostatic
3	629-0949B	Wire Harness, Reverse
4	710-0189	Hex Screw, 5/16-18 x 3.00
5	710-0216	Hex Screw, 3/8-16 x .75
6	710-0227	Hex Washer Screw, #8-18 x .5
7	710-04484	Hex Screw, 5/16-18 x .750
8	710-0520	Hex Screw, 3/8-16 x 1.50
9	710-0599	Self-Tapp Screw, 1/4-20 x .5
10	710-1008	Sems Screw, 3/8-16 x 1.875
11	710-3011	Hex Screw, 3/8-16 x 2.25
12	710-3103	Hex Screw, 5/16-18 x 2.00
13	710-3119	Hex Lock Screw, 3/8-16 x .75
14	911-0832	Ferrule, 3/8-24 x .375
15	912-0240	Jam Nut, 7/16-20
16	712-04063	Flange Lock Nut, 5/16-18
17	712-04065	Flange Lock Nut, 3/8-16
18	912-0431	Flange Lock Nut, 3/8-16
19	912-3017	Hex Nut, 3/8-16
20	914-0104	Cotter Pin, .072 x 1.13
21	914-0111	Cotter Pin, 3/32 x 1.0
22	725-0157	Cable Tie, 3/16 x .05 x 7.4
23	725-1644	Short Spring Switch

Ref.	Part Number	Description
24	926-0154	Cable Tie, 7.5
25	926-0320	Insulator Plate
26	732-04323B	Extension Spring, .77 x 3.7
27	732-04528	Extension Spring, .50 x 5.00
28	732-0716D	Extension Spring, .59 x 4.00
29	732-3118	Extension Spring, 3/8 x 1.44
30	936-0169	Lock Washer, 3/8
31	936-0227	Flat Washer, .390 x 1.50 x .134
32	736-0258	Flat Washer, .385 x 1.0 x .135
33	936-0300	Flat Washer, .406 x .875 x .059
34	783-0745-0637	Speed Control Bracket
35	738-0372B	Shoulder Spacer, 1.00 x .38 x .38
36	747-04666	Hydro Control Rod
37	747-04838A	Hydro Disengage Rod
38	747-04873	Brake Rod
39	750-04776	Spacer, .380 x .625 x .265
40	954-0461	V-Belt
41	756-04224	Flat Idler Pulley, 2.75
42	756-04325	Flat Idler Pulley, 3.06
43	783-04442-0637	Idler Bracket
44	783-05443-0637	Torque Bracket
45	783-05841	Actuator Bracket

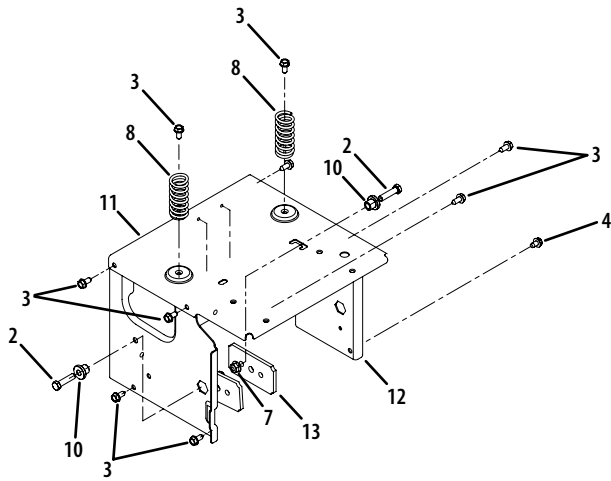
Steering



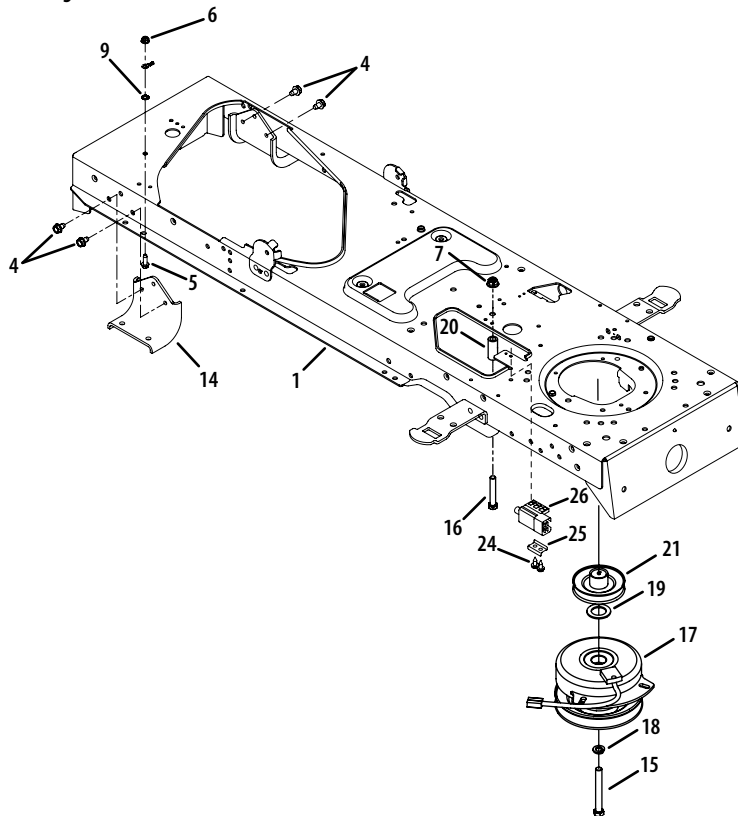
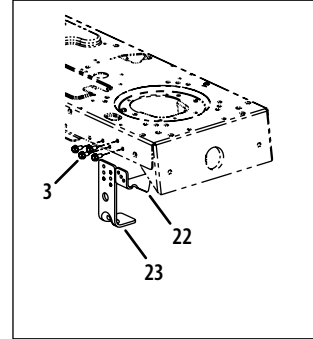
Steering

Ref.	Part Number	Description
1	710-04095	Hex Cap Screw, $\frac{3}{8}$ -16, 1.00
2	710-0514	Hex Cap Screw, $\frac{3}{8}$ x 1.00
3	710-0650	Self-Tapping Screw, $\frac{5}{16}$ -18 x .75
4	711-1408	Drag Link, RH
5	711-1409A	Drag Link, LH
6	912-0214	Hex Nut, $\frac{3}{8}$ -24
7	712-04065	Nylon Lock Nut, $\frac{3}{8}$ -16
8	712-0459	Flange Lock Nut, $\frac{7}{16}$ -20
9	712-3004A	Flange Lock Nut, $\frac{5}{16}$ -18
10	717-1550F	Steering Gear, $\frac{1}{16}$ ø
11	717-1554	Steering Gear Pinion
12	923-0448A	Ball Joint, $\frac{7}{16}$ -20
13	936-3004	Flat Washer, .406 x .875 x .105
14	736-3084	Flat Washer, .510 x 1.120 x .060
15	731-04532B	Steering Wheel Cover
16	738-04262	Steering Shaft, .625 x 25.00
17	738-04154	Shoulder Spacer, 1.00 x .38 x .38
18	941-0475	Plastic Bushing, .380 ID
19	741-04237A	Hex Flange Bearing, $\frac{5}{8}$
20	631-04008A	Steering Wheel
21	714-0162	Cotter Pin, $\frac{5}{32}$ x 1.25
22	719-04177A	Pivot Bar Axle
23	726-0341	Push Cap, .75
24	736-04228A	Flat Washer, .781 x 1.590
25	748-04068	Spacer, .71 x .125 x .56
26	738-04128	Shoulder Bolt, $\frac{3}{8}$ -16 x .500 x 2.38
27	712-04065	Jam Nut, $\frac{3}{8}$ -16
28	638-04003AP	Axle Assembly, LH
	938-04004A	Axle Assembly, RH .750
29	634-04088A	Wheel Assembly (See pg. 3 for breakdown)
30	731-05674	Hub Cap

Frame & Electric PTO Clutch



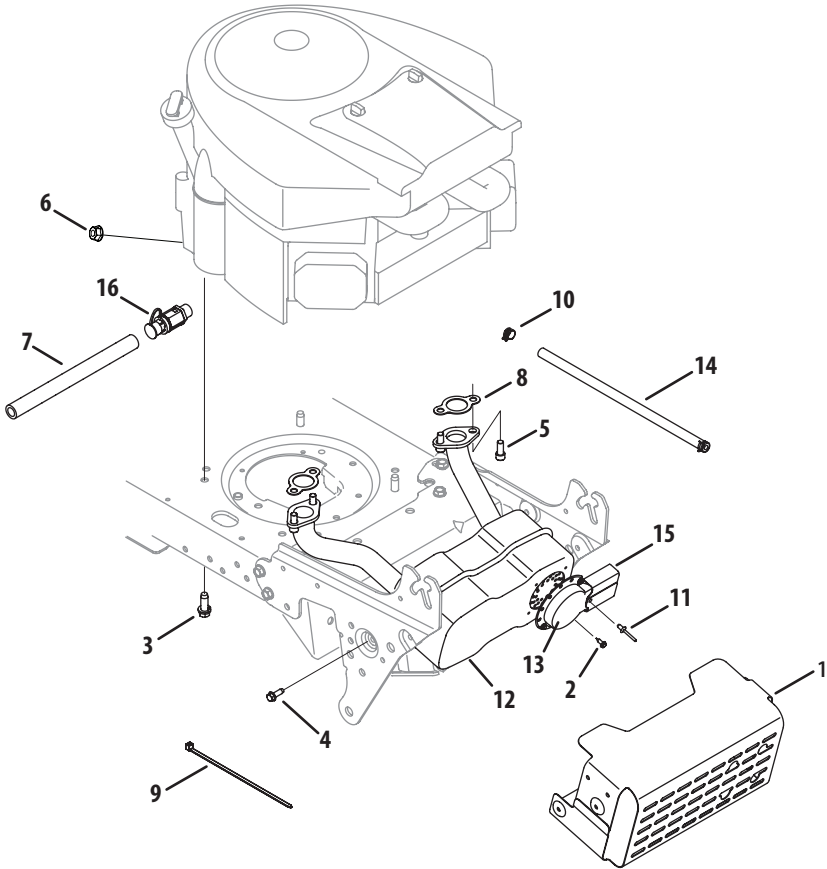
Deck Up-Stop & Clutch Bracket



Frame & Electric PTO Clutch

Ref.	Part Number	Description
1	683-04173B-0637	Lower Frame Assembly
2	710-0520	Hex Screw, $\frac{3}{8}$ -16 x 1.25
3	710-04484	Self-Tapping Screw, $\frac{5}{16}$ -18, 0.75
4	710-0607	Hex Washer Screw, $\frac{5}{16}$ -18 x .5
5	710-0642	Hex Washer Screw, $\frac{1}{4}$ -20 x 0.750
6	712-04064	Nylon Lock Nut, $\frac{1}{4}$ -20
7	712-04065	Nylon Lock Nut, $\frac{3}{8}$ -16
8	732-04561	Comp. Spring, 1.71 x .3735 x 2.38
9	936-0222	Lock Washer, $\frac{1}{4}$
10	738-04058	Shoulder Spacer
11	783-06089-0637	Seat Frame Bracket
12	783-04811C-0637	Upper Frame
13	783-05005-0637	Support Plate
14	783-0693-0637	Axle Bracket
15	710-04379A	Hex Screw, $\frac{7}{16}$ -20 x 3.5
16	710-3011	Screw, $\frac{3}{8}$ -16 x 2.25
17	917-1774C	PTO Clutch
18	936-0171	Lock Washer, $\frac{7}{16}$
19	736-0277	Flat Washer, 1.031 x 1.62 x .095
20	748-0415B	Spacer, $\frac{3}{8}$ x 1.54
21	756-0978B	Electric PTO Engine Pulley
22	783-04419B-0637	Clutch Bracket
23	783-04467-0637	Deck Up-Stop Bracket
24	910-0224	Screw, #10-16, x .500
25	17962	Switch Mounting Plate
26	925-04039	Interlock Switch

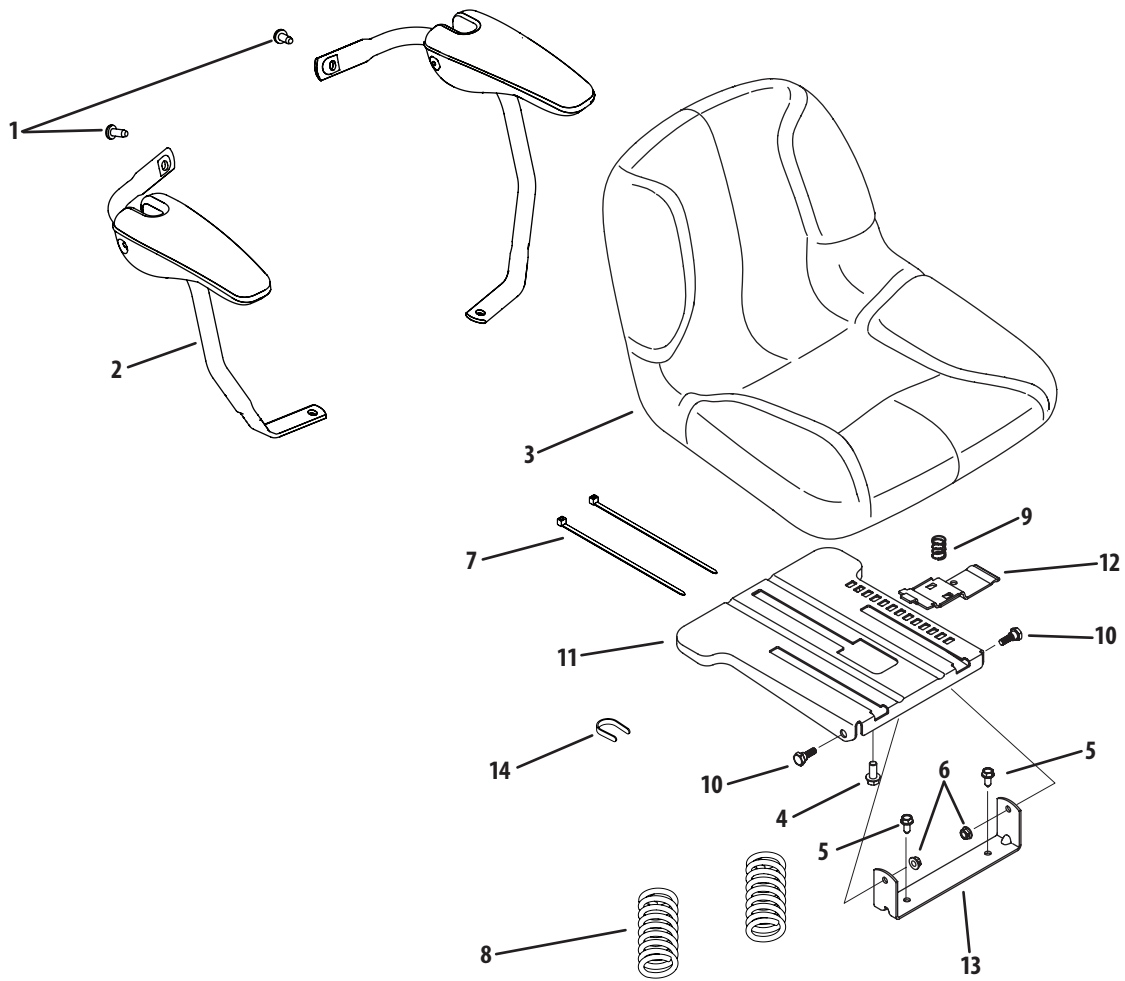
Engine Accessories



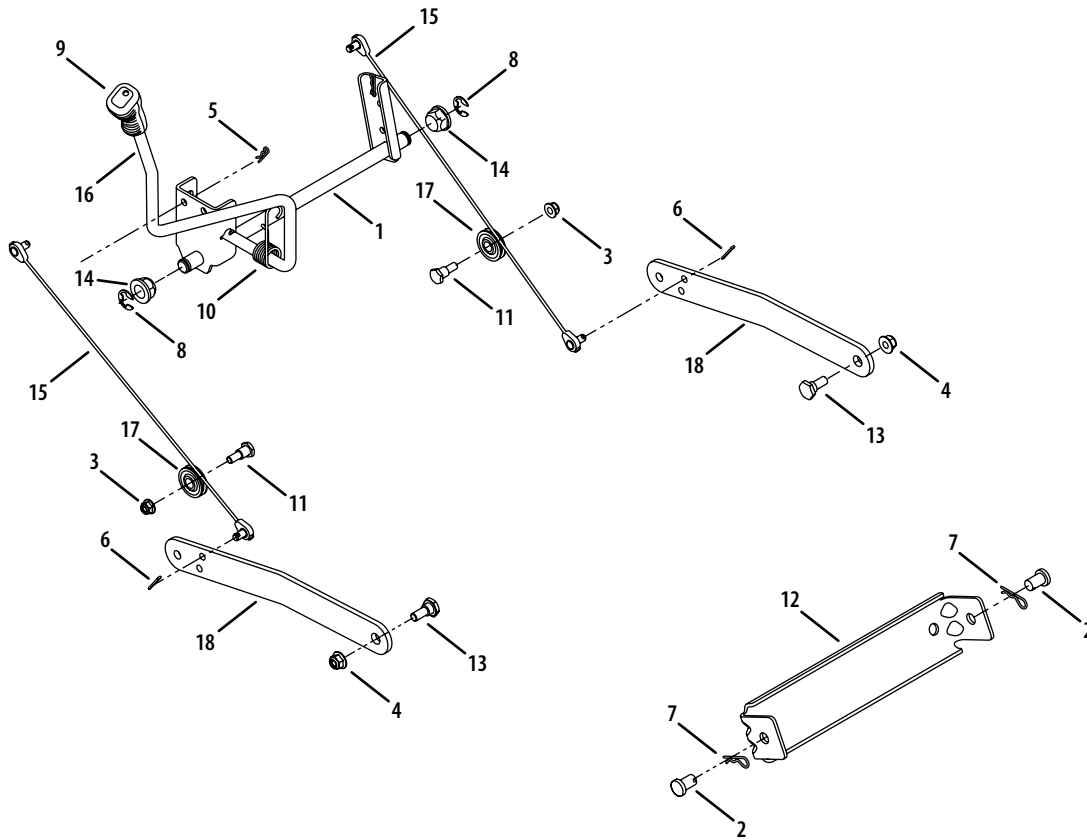
Engine Accessories

Ref.	Part Number	Description
1	683-04549-0637	Muffler Assembly Shield
2	710-0227	AB Screw, #8-18 x 0.5
3	710-04683	TT Screw, 3/8-16 x 1.00
4	710-0642	TT Screw, 1/4-20 x 0.750
5	710-1314A	Screw, 5/16-18 x .750
6	712-0271	Sems Nut, 1/4-20
7	751-3141-14	Oil Drain Extension Hose
8	721-0460	Exhaust Gasket
9	725-0157	Cable Tie
10	726-0205	Hose Clamp
11	728-04000	Pop Rivets, .188 x .300
12	751-10548	Twin Inlet Muffler
13	751-0564B	Muffler Deflector
14	751-10349-28	Fuel Line Hose
15	751-10353	Long Muffler Deflector
16	951-10517A	Oil Drain Valve

Seat



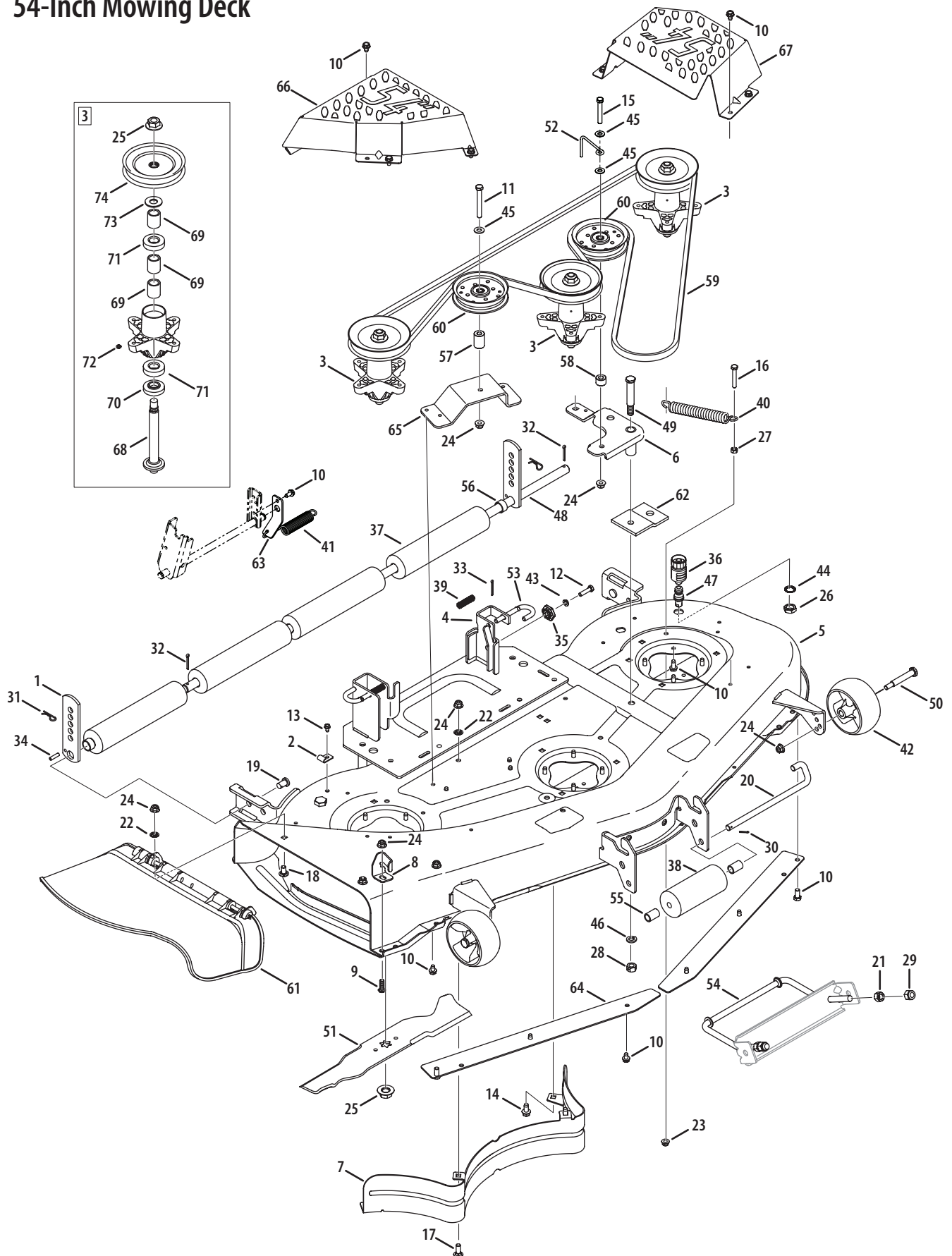
Ref.	Part Number	Description
1	710-1611B	Screw, $\frac{5}{16}$ -18 x .750
2	757-04046	Seat Arm
3	757-04090	Hi-Back Seat
4	710-04482	Hex Flange Screw, $\frac{3}{8}$ -16 x .875
5	710-04484	Hex Washer Screw, $\frac{5}{16}$ -18 x .750
6	712-3004A	Flange Lock Nut, $\frac{5}{16}$ -18
7	725-0157	Cable Tie
8	732-04561	Comp. Spring, 1.71 x 3.735 x .238
9	732-04563	Comp. Spring, .68 x 1.065 x .055
10	938-0296	Shoulder Screw, $\frac{5}{16}$ -18 x .437 x .268
11	783-06049-4021	Seat Mount Bracket
12	783-06050	Seat Adjust Lever
13	783-06088-4021	Seat Pivot Bracket
14	783-06448	Retainer Clip Switch



Ref.	Part Number	Description
1	683-04301-0637	Shaft Assembly, Lift (54" Deck)
2	911-0332	Pin, Clevis, .50 Dia x .78 Lg
3	712-04063	Nut, Nylon Lock, 5/16-18, Gr5
4	712-04065	Nut, Nylon Lock, 3/8-16
5	914-0104	Pin, Cotter, .072 Dia. x 1.13 Lg
6	914-0111	Pin, Cotter, 3/32, 1.0
7	914-04023	Pin, Click, .092 x 1.64 Lg
8	716-0106A	E-ring, .625 Dia. Shaft
9	720-0311	Grip, Handle

Ref.	Part Number	Description
10	732-0874	Spring, Torsion
11	738-0138A	Screw, Hex Cap, 5/16-18x.620 Gr2
12	783-0720C-0637	Bracket, Deck
13	938-0380	Shldr. Screw, 3/8-16
14	941-0225	Bearing, Hex Flange
15	746-0968	Cable, Lift, 16.16 Lg
16	747-04447	Handle, Lift
17	756-1154	Pulley, Roller
18	783-05546-0637	Arm, Lift

54-Inch Mowing Deck



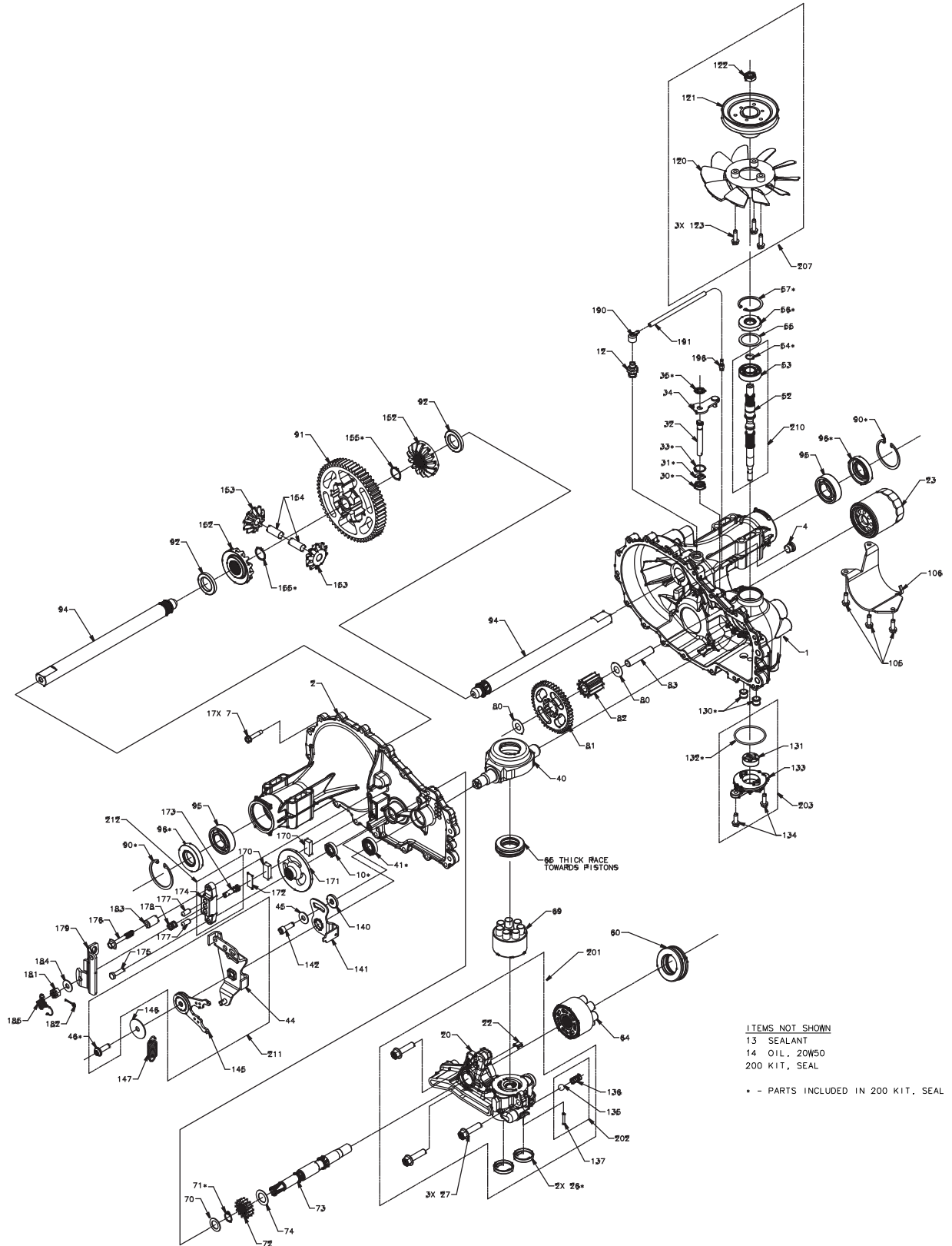
54-Inch Mowing Deck

Ref.	Part Number	Description
1	12650-0637	Height Adjustment Bracket
2	96606	Hook Retainer Bracket
3	918-0671B	Spindle Assembly, 5.39
4	683-0254B-4021	Deck Hanger Bracket Assembly, LH
5	683-04483-4021	Deck Shell Assembly, 54"
6	683-0459-0637	Idler Assembly, 54"
7	703-2093-0637	Baffle
8	703-3279-4021	Chute Stop Assembly
9	710-04095	Hex Screw, 3/8-16 x 1.00
10	710-04484	Self-Tapping Screw, 5/16-18 x 7.50
11	710-0521	Hex Screw, 3/8-16 x 3.00
12	710-0528	Hex Screw, 5/16-18 x 1.25
13	710-0599	Hex Screw, 1/4-20 x 0.500
14	710-0623	Self-Tapping Screw, 3/8-16 x 7.50
15	710-0859	Self-Tapping Screw, 3/8-16 x 2.50
16	710-3103	Self-Tapping Screw, 5/16-18 x 2.000
17	710-3168	Carriage Bolt, 3/8-16 x 1.0
18	710-3178	Short Neck Carriage Bolt
19	911-0332	Clevis Pin, .50 x .78
20	711-1737	Roller Pin, .5 x 10.06
21	912-0206	Hex Lock Nut, 1/2-13
22	712-0229	Push Nut, 3/8
23	712-04063	Flange Lock Nut, 5/16-18
24	712-04065	Flange Lock Nut, 3/8-16
25	712-0417A	Hex Flange Nut, 5/8-18
26	912-0641	Hex Nut, M-16 x 1.5
27	912-3010	Hex Nut, 5/16-18
28	712-3022	Hex Lock Nut, 1/2-13
29	712-3083	Hex Lock Nut, 1/2-13
30	914-0111	Cotter Pin, 3/32 x 1.00
31	914-0145	Click Pin, .092 x 1.64
32	714-0162	Click Pin, 5/32 x 1.25
33	914-0470	Cotter Pin, 1/8 x 1.25
34	715-0108	Spring Pin, 1/4 Dia x 1.00
35	917-04074	Deck Adjustment Gear
36	921-04041	Hose Coupler
37	731-0335	Deck Roller

Ref.	Part Number	Description
38	731-05679	Front Roller
39	932-0306A	Compression Spring, .531 x 1.75
40	732-0459C	Extension Spring, .94 x 6.74
41	732-0971	Extension Spring, Deck Lift Assist
42	734-04155	Deck Wheel, 5"
43	936-0119	Lock Washer, 5/16
44	736-0225	Lock Washer, 5/8
45	936-0300	Flat Washer, .406 x .875 x .059
46	936-0921	Lock Washer, 1/2
47	737-04003D	Water Port
48	738-0295	Shoulder Screw, .750 x .47 x .12
49	738-1229A	Shoulder Screw, 5/8 x 2.50
50	938-3056	Shoulder Screw, 1/2 x 2.50
51	942-0677B	Blade, 18.50"
52	747-04938	Belt Keeper Rod
53	747-1116	Deck Release Handle Rod, .375
54	747-1324	Adjustable Front Deck Rod
55	950-0151	Spacer .550 x .755 x 1.1
56	950-0212	Spacer, .82 x 1.00 x .53
57	750-04597	Spacer, .380 x .90 x 1.313
58	750-0933	Spacer, .385 x .88 x .64
59	954-0642	V-Type Belt
60	756-04129	Idler Pulley, 4.25
61	631-04070A	Chute Deflector Assembly
62	783-04013A-0637	Pulley Stabilizer Bracket
63	783-04462	Lift Bracket
64	783-04690B-0637	Deck Skirt
65	783-04726-0637	Stationary Idler Bracket
66	783-1470A-4021	Spindle Cover, RH
67	783-1471-4021	Spindle Cover, LH
68	738-1197	Spindle Shaft, 6.95
69	750-1000	Spacer, .800 x 1.10 x 1.322
70	750-1349A	Spacer, 79 x 1.84 x .55
71	941-0919	Ball Bearing, .787 x 1.85 x .551
72	937-3000	Lube Fitting, 3/16
73	748-0160A	Spacer, .790 x 1.25 x .175
74	756-04216	Pulley, 5.39

Notes

Hydrostatic Transmission



ITEMS NOT SHOWN

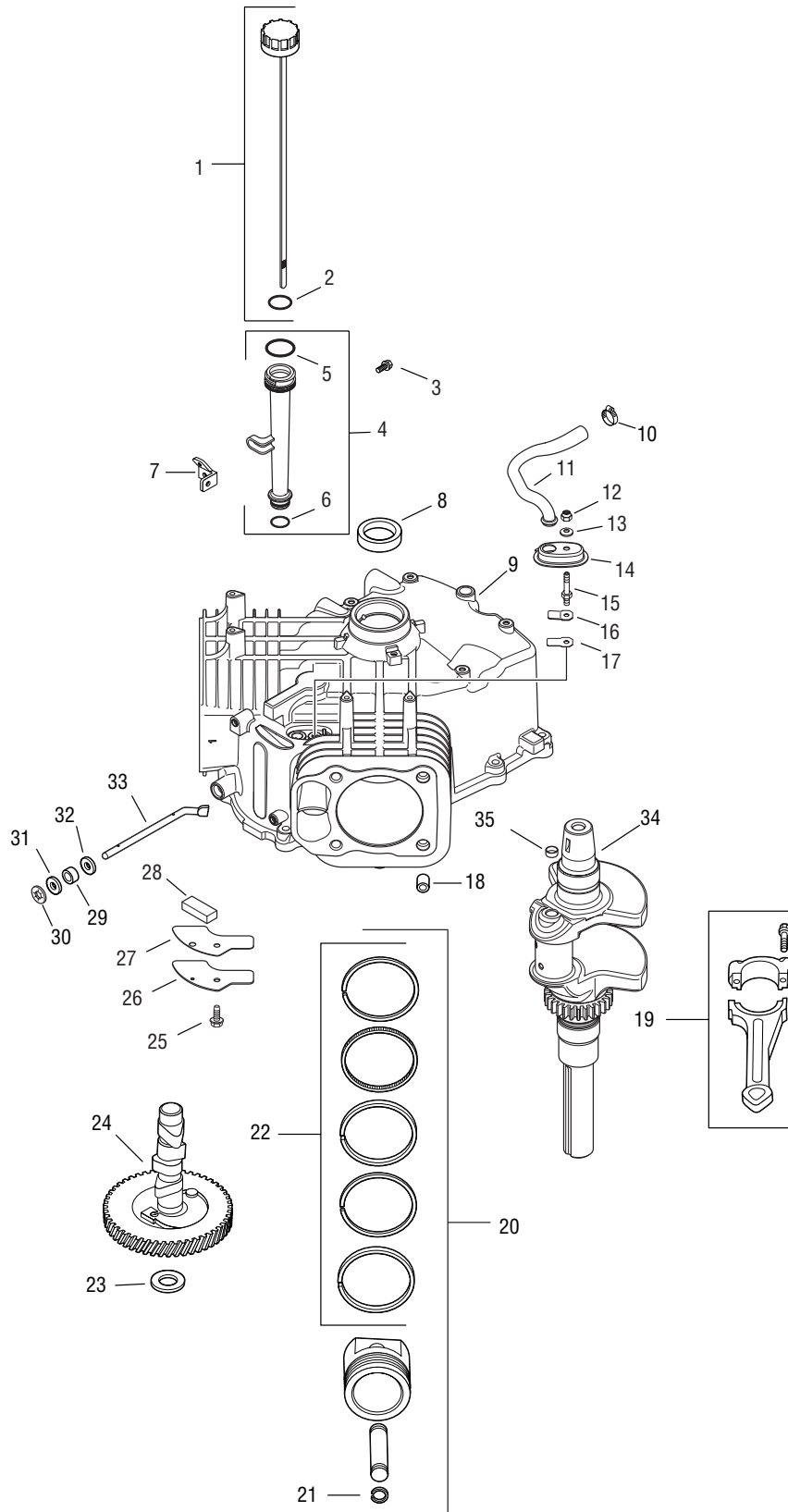
- 13 SEALANT
- 14 OIL, 20W50
- 200 KIT, SEAL

* - PARTS INCLUDED IN 200 KIT, SEAL

ITEM	COMPONENT	DESCRIPTION	QTY	ITEM	COMPONENT	DESCRIPTION	QTY
1	71629	KIT, HOUSING, MAIN	1	171	52582	ROTOR, BRAKE	1
		HOUSING, MAIN	1	172	44134	PLATE, PUCK	1
		PIN, STANDARD HEADLESS	2	175	44433	BOLT, HEX HEAD 1/4-20 X 1 W/PATCH	1
		BUSHING, .624 X .719 X .562	1	176	51146	BOLT, HEX HEAD 1/4-20 X 2 W/PATCH	1
		BUSHING, .865 X .985 X .790	1	177	44127	PIN, BRK .31 X .73 PLATED	2
		BEARING, FLANGE 1.0 X 1.376 X .99	1	178	50919	SPRING, COMP BRAKE ANTI-DRAG	1
2	71630	KIT, HOUSING, SIDE	1	179	50911	ARM, BRAKE	1
		HOUSING, SIDE	1	181	44142	NUT, CASTLE 5/16-24 PL	1
		BUSHING, .624 X .729 X .562	1	182	44101	PIN, COTTER 3/32 X 3/4	1
		BUSHING, .865 X .985 X .790	1	183	23711	SPACER, .26 X .57 X .87	1
		BEARING, FLANGE 1.0 X 1.376 X .99	1	184	44130	WASHER, .27 X .88 X .12	1
4	9005110-5600	PLUG 9/16-18 (METAL)	1	185	50884	SPRING, BRAKE ARM BIAS	1
7	51190	HFHCS 1/4-20 X 1.25	17	190	51687	CAP, BARBED	1
10	44761	SEAL, LIP .625 X 1.0	1	191	52474	HOSE, .28 X .15 X 10.00	1
12	52558	ASSEMBLY, FITTING, METAL	1	196	52922	FITTING, BARBED	1
13	50928	GASKET MATERIAL (LOCTITE 5900)	1	200	71632	KIT, SEAL	1
14		OIL, 20W50	.739 gal	006		PIN, STANDARD HEADLESS	2
22	51448	PLATE, BYPASS	1	(010)		SEAL, LIP .625 X 1.0	1
23	52114	FILTER, OIL	1	(026)		SEAL, PLUG 1.250 X .250	2
26	52162	SEAL, PLUG 1.250 X .250	2	(030)		SEAL, LIP .375 X .75 X .25	1
27	52137	HFHCS 3/8-16 X 1.5 (PATCH)	3	(031)		RING, RET .375 EXTERNAL	1
30	51626	SEAL, LIP .375 X .75 X .25	1	(033)		RING, RET .750 INTERNAL	1
31	51628	RING, RETAINING .375 EXTERNAL	1	(035)		RING, RET .375 EXTERNAL	1
32	52136	ROD, BYPASS	1	(041)		SEAL, LIP 18 X 32 X 7	1
33	51627	RING, RETAINING .750 INTERNAL	1	(046)		TWHCS 5/16-24 X 1.00 (PATCH)	1
34	51910	ARM, BYPASS	1	054		RING, RET WIRE .561 ID	1
35	51630	RING, RETAINING .375 EXTERNAL	1	(056)		SEAL, LIP 17 X 40 X 7	1
40	51048	TRUNNION, SWASHPLATE	1	(057)		RING, RET 1.575 INTERNAL	1
41	51140	SEAL, LIP 18 X 32 X 7	1	(071)		RING, RET .625 EXTERNAL	1
45	44130	WASHER, .24 X .88 X .06	1	(090)		RING, RET 2.06 INTERNAL	2
46	51812	TWHCS 5.16-24 X 1.00 (PATCH)	1	(096)		SEAL, LIP 25 X 52 X 10 TC (GRAY)	2
55	50951	WASHER, 1.23 X 1.56 X .04	1	(130)		TUBE, CONNECTING	2
56	51161	SEAL, LIP 17 X 40 X 7	1	132		O-RING - 137, .103 X 2.050	1
57	50329	RING, RETAINING 1.575 INTERNAL	1	(155)		RING, SPIRAL RET .875	2
60	51462	BEARING, THRUST	1	201	71639	KIT, CENTER SECTION, LH, CHRQ	1
64	70735	ASSEMBLY, CYLINDER BLOCK, 16cc	1	020	52910	CENTER SECTION, LH, CHRQ	1
65	50551	BEARING, THRUST BALL 30 X 52 X 13	1	(022)	51448	PLATE, BYPASS	1
69	70723	ASSEMBLY, BLOCK 7 PISTON	1	024	50564	CHECK PLUG	1
70	44371	WASHER, .63 X 1.0 X .05	1	025	50564	CHECK PLUG	1
71	44145	RING, RETAINING .625 EXTERNAL	1	(026)	52162	SEAL, PLUG 1.250 X .250	2
72	52109	GEAR, 14T	1	(027)	52137	HFHCS 3/8-16X1.5 (PATCH)	3
73	52585	SHAFT, MOTOR	1	028	2003071	BRG, JRNL	1
74	51069	WASHER, .72 X 1.16 X .04	1	135	9001214-4400	BALL, STEEL 7/16"	1
80	50132	WASHER, .5 X 1.0 X .03	2	136	51157	SPRING, RELIEF .42 X .75	1
81	52110	GEAR, 45T	1	137	51805	PIN, SPRING .125 X .875	1
82	52583	GEAR, 11T	1	202	71436	KIT, CHARGE RELIEF	1
83	51083	PIN, JACKSHAFT	1	(135)	9001214-4400	BALL, STEEL 7/16"	1
90	50859	RING, RETAINING 2.06 INTERNAL	2	(136)	51157	SPRING, RELIEF .42 X .75	1
91	52577	GEAR, 60T	1	(137)	51805	PIN, SPRING .125 X .875	1
92	51939	SPACER, 1.04 X 1.65 X .22	2	203	71411	KIT, CHARGE	1
94	52564	SHAFT, AXLE 1.00 X 13.37, DD	2	131	50273	GERORTER ASSEMBLY (1.9cc/REV)	1
95	50771	BEARING, BALL 1.0 X 52 X 15	2	132	52250	O-RING - 137, .103 X 2.050	1
96	50772	SEAL, LIP 25 X 52 X 10 TC (GRAY)	2	133	52688	COVER, CHARGE PUMP	1
105	50752	HFHCS 1/4-20 X .75	3	134	52768	SCREW, PAN HEAD 1/4-20 X .75	2
106	52247	GUARD, FILTER, LH	1	207	71713	KIT, FAN/PULLEY	1
120	52955	FAN 7.0 (10 BLADE)	1	(120)	52955	FAN, 7.0 IN 10 BLADE	1
121	51585	PULLEY	1	(121)	51585	PULLEY, 4.0 IN	1
122	51244	HEX LOCK NUT 1/2-20 (NYLON INSERT)	1	(122)	51244	NUT, HEX LOCK 1/2-20 (NYLON INSERT)	1
123	51076	SCREW HEX 1/4-20 X .875	3	(123)	51076	SCREW, HEX WASHER 1/4-20 X .875	3
130	52157	TUBE, CONNECTING	2	210	71442	KIT, INPUT SHAFT	1
140	52527	SPACER, .320 X 1.005 X .179	1	052	52155	SHAFT, INPUT	1
141	52921	ASSEMBLY, RTN, NEUTRAL ARM	1	053	50315	BRG, BALL 17 X 40 X 12 OPEN 6203	1
142	51616	SHCS 5/16-24 X 1 PATCH	1	054	2000022	RING, RET WIRE .561 ID	1
146	51950	WASHER, .343 X 1.500 X .062	1	211	71827	KIT, RTN BIDIRECTIONAL	1
147	51605	SPRING, EXTENSION RTN - 44 LBS	1	044	52904	ARM, CONTROL	1
152	52599	GEAR, BEVEL 14T SPLINE ID	2	(046)	51812	SCREW 5/16-24 X 1.00 (PATCH)	1
153	52600	GEAR, BEVEL 10T	2	145	52914	ASSEMBLY, RTN BIDIRECTIONAL	1
154	52608	PIN, .499 X 1.20	2	212	70633	KIT, BRAKE-YOKE	1
155	52531	RING, SPIRAL RETAINING - 87	2	173	44138	BOLT, SQUARE HEAD	1
170	44132	PUCK, BRAKE	2	174	50879	BRAKE YOKE	1

NOTE: Include a HG- prefix when ordering replacement transmission parts (i.e. HG-70467).

Kohler SV740-0010 Crankcase

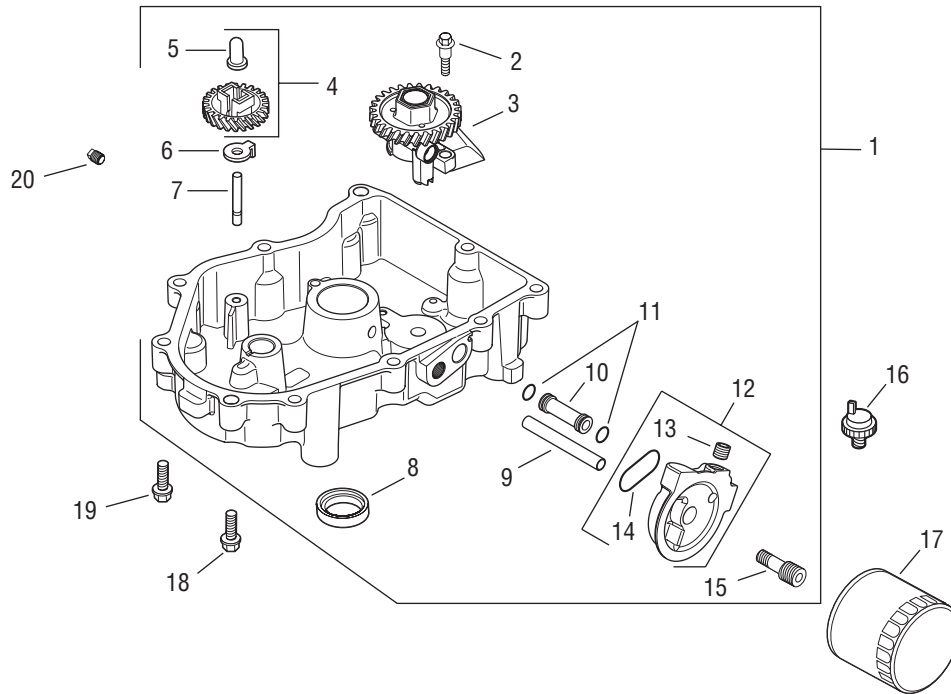


Kohler SV740-0010 Crankcase

Ref.	Part Number	Description
1	KH-32-038-01-S	Dipstick Kit (Inc. 2)
2	KH-12-153-03	O-Ring
3	KH-M-545016-S	Hex Flange Screw, M5 x 0.8 x 16
4	KH-25-123-07-S	Oil Fill Tube (Inc. 5 & 6)
5	KH-12-153-02-S	Upper Oil Fill Tube O-Ring
6	KH-12-153-01-S	Lower Oil Fill Tube O-Ring
7	KH-24-126-19	Oil Fill Tube Bracket
8	KH-24-032-19-S	Oil Seal
9	N/A	Crankcase (Use: Mini-block KH-32-782-01)
10	KH-25-237-14-S	Hose Clamp
11	KH-32-326-04-S	Breather Hose
12	KH-M-547050-S	Hex Lock Nut, M5 x 0.8
13	KH-32-468-01-S	Sealing Washer
14	KH-32-081-02-S	Breather Housing
15	KH-32-072-02-S	Breather Cover Stud
16	KH-24-018-04-S	Breather Reed Retainer
17	KH-24-402-05-S	Breather Reed
18	KH-24-380-16-S	Locating Pin
19	KH-24-067-24-S	Connecting Rod (Std.)
20	KH-32-874-06-S	Piston w/ Ring Set (Std.) (Inc. 20 & 21)

Ref.	Part Number	Description
—	N/A	Piston w/ Ring Set (.25)
21	KH-24-018-01-S	Piston Pin Retainer
22	KH-24-108-05-S	Ring Set (Std.)
—	KH-24-108-06-S	Ring Set (.25)
23	KH-12-422-10-S	Camshaft Shim (Yellow)
—	KH-12-422-09-S	Camshaft Shim (Red)
—	KH-12-422-13-S	Camshaft Shim (Black)
—	KH-12-422-07-S	Camshaft Shim (White)
—	KH-12-422-08-S	Camshaft Shim (Blue)
—	KH-12-422-11-S	Camshaft Shim (Green)
—	KH-12-422-12-S	Camshaft Shim (Gray)
24	KH-32-012-01-S	Camshaft Kit
25	KH-M-645016-S	Hex Flange Screw, M6 x 1.0 x 16
26	KH-32-096-04-S	Breather Cover
27	KH-32-041-01-S	Breather Cover Gasket
28	KH-32-050-01-S	Breather Filter
29	KH-28-032-09-S	Governor Cross Shaft Seal
30	KH-24-018-09-S	Retainer Ring
31	KH-M-931010-S	Washer, 8 mm
32	KH-24-468-15-S	Flat Washer, ¼
33	KH-24-144-38-S	Governor Cross Shaft

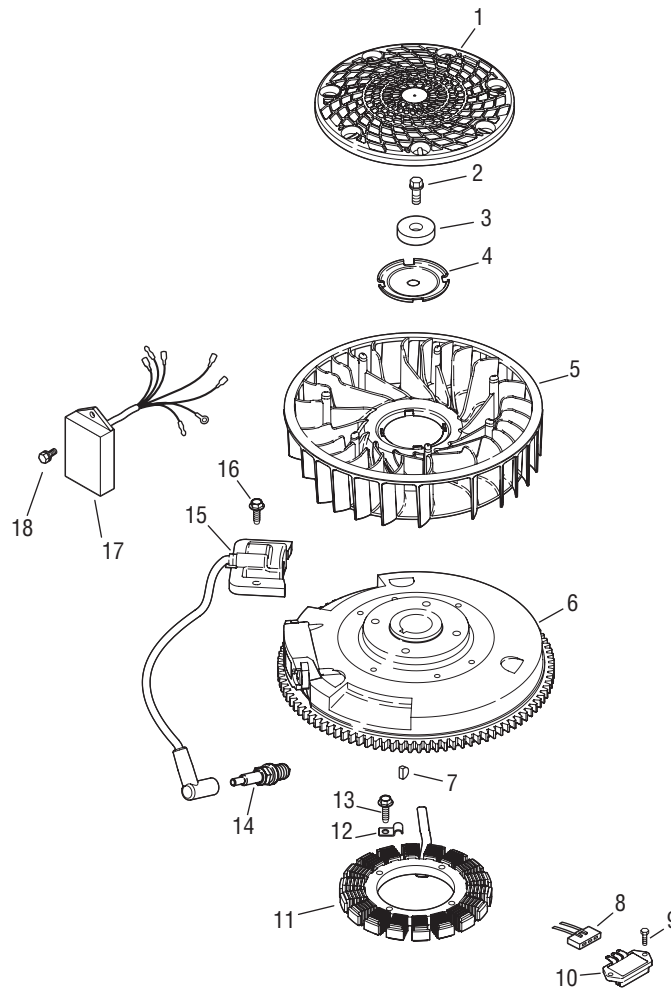
Kohler SV740-0010 Oil Pan & Lubrication



Ref.	Part Number	Description
1	KH-32-199-07-S	Oil Pan Assembly (Inc. 2-15)
2	KH-32-086-01-S	Hex Flange Screw
3	KH-32-393-10-S	Oil Pump Assembly
4	KH-24-043-12	Governor Gear Kit w/ Pin (Inc. 5)
5	KH-12-380-01	Governor Regulating Pin
6	KH-24-448-02-S	Locking Lab
7	KH-12-144-02	Governor Gear Shaft
8	KH-25-032-06-S	Oil Seal (PTO End)
9	KH-32-123-01-S	Oil Feed Tube — Filter To Oil Pan
10	KH-32-123-03-S	Oil Feed Tube — Oil Pan To Filter

Ref.	Part Number	Description
11	KH-24-153-01	O-Ring
12	KH-32-029-16-S	Oil Filter Adapter (Inc. 13 & 14)
13	KH-25-139-60-S	Hex Ctsk. Plug, 1/8
14	KH-32-153-02-S	Oil Filter Adapter O-Ring
15	KH-32-136-03-S	Oil Filter Nipple
16	KH-25-099-27-S	Pressure Switch
17	KH-52-050-02-S	Oil Filter
18	KH-24-086-17-S	Hex Flange Screw, M8 x 1.25 x 45
19	KH-24-086-17-S	Hex Flange Screw, M8 x 1.25 x 45
20	KH-25-139-57-S	Sq. Hd. Solid Plug, 3/8

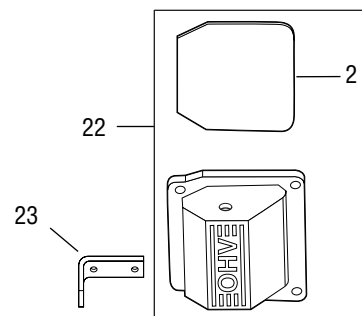
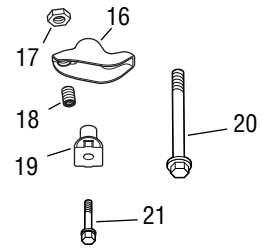
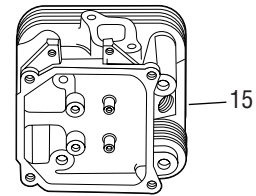
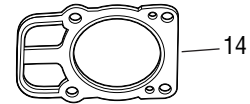
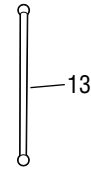
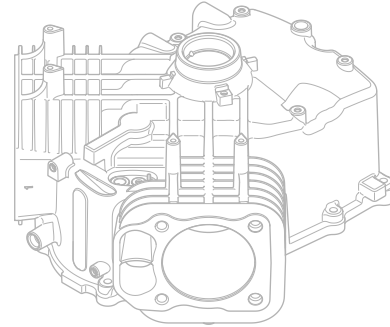
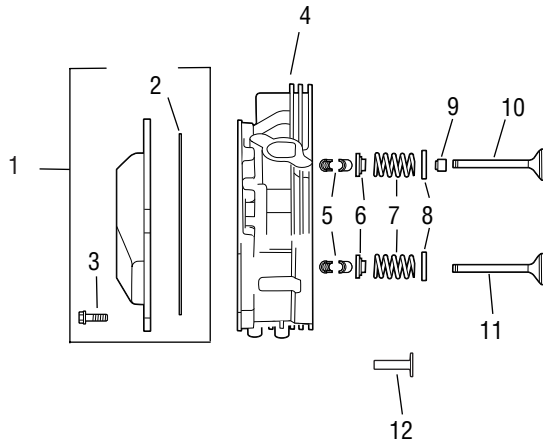
Kohler SV740-0010 Ignition & Electrical



Ref.	Part Number	Description
1	KH-32-162-03-S	Grass Screen
2	KH-12-086-14	Hex Flange Screw, M10 x 1.5 x 45
3	KH-12-468-03	Washer, 3/8
4	KH-20-146-05-S	Fan Mounting Plate
5	KH-32-157-01-S	Fan
6	KH-32-025-15-S	Flywheel
7	KH-X-42-15	Key
8	KH-41-403-09	Rectifier — Regulator
9	KH-25-155-41-S	Connector (3 Contact)
10	KH-M-551016-S	Hex Flange Screw, M5 x 0.8 x 16

Ref.	Part Number	Description
11	N/A	15 Amp Stator Kit
12	KH-47-154-01-S	Cable Clip
13	KH-M-548025-S	Hex Screw, M5 x 0.8 x 25
14	759-3336	Spark Plug
15	KH-24-584-36-S	Ignition Module
16	KH-M-545020-S	Hex Flange Screw, M5 x 0.8 x 20
17	KH-24-755-162-S	Speed Advance Module
18	KH-M-448010	Hex Flange Screw, M4 x 0.7 x 10
—	KH-32-176-05-S	Wiring Harness
—	KH-25-454-03-S	Wire Tie

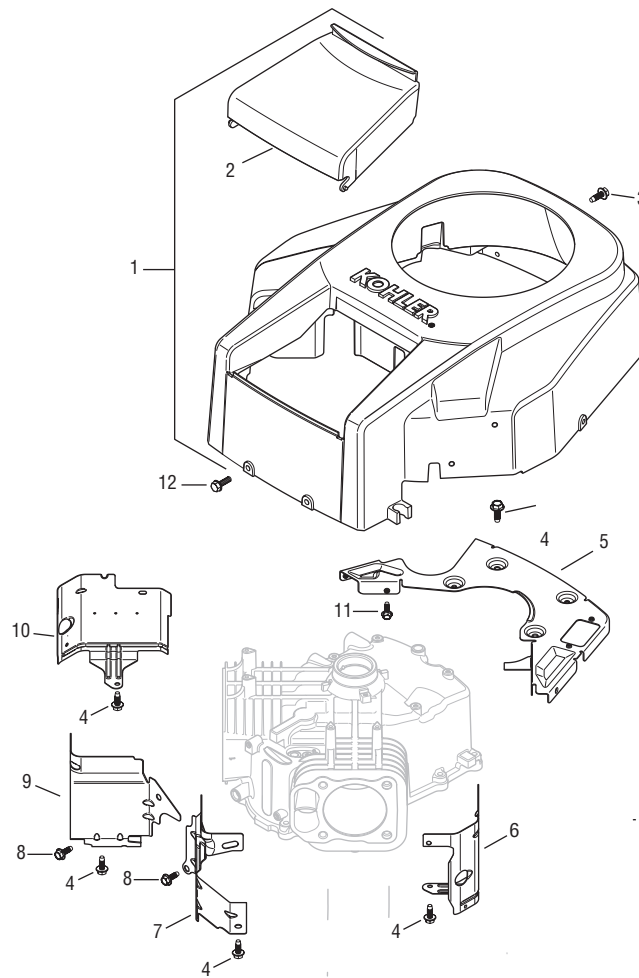
Kohler SV740-0010 Head, Valve & Breather



Kohler SV740-0010 Head, Valve & Breather

Ref.	Part Number	Description
1	KH-24-755-141-S	Valve Cover Kit (Inc. 2 & 3)
2	KH-24-153-30-S	O-Ring
3	KH-M-651030-S	Hex Flange Screw, M6 x 1.0 x 30
4	KH-32-318-01-S	#1 Cylinder Head Assembly
5	KH-12-755-03	Retainer Kit
6	KH-12-173-01	Valve Spring Cap
7	KH-24-089-02	Valve Spring
8	KH-235011-S	Spring Retainer
9	KH-66-032-05-S	Valve Stem Seal
10	KH-24-017-01	Intake Valve (Std.)
—	KH-24-017-02	Intake Valve (.25)
11	KH-24-016-01	Exhaust Valve (Std.)
—	KH-24-016-02	Exhaust Valve (.25)
12	KH-32-019-01-S	Tappet
13	KH-32-411-02-S	Push Rod
14	KH-24-841-03-S	Cylinder Head Gasket Kit (Inc. Head Mounting Hardware & KH-24-041-49-S & KH-24-153-27-S)
15	KH-32-318-02-S	#2 Cylinder Head Assembly
16	KH-32-186-02-S	Rocker Arm
17	KH-32-100-04-S	Hex Nut, M10 x 0.75
18	KH-32-086-03-S	Set Screw
19	KH-24-599-02-S	Rocker Arm Pivot
20	KH-12-086-16	Hex Flange Screw, M10 x 1.5 x 90
21	KH-32-086-04-S	Hex Flange Screw, M6 x 1.0 x 45
22	KH-32-096-06-S	Valve Cover Kit — Breather (Inc. 2)
23	KH-24-445-01	Lifting Strap
NS	KH-24-041-49-S	Exhaust Gasket
NS	KH-24-153-27-S	Intake Port O-Ring

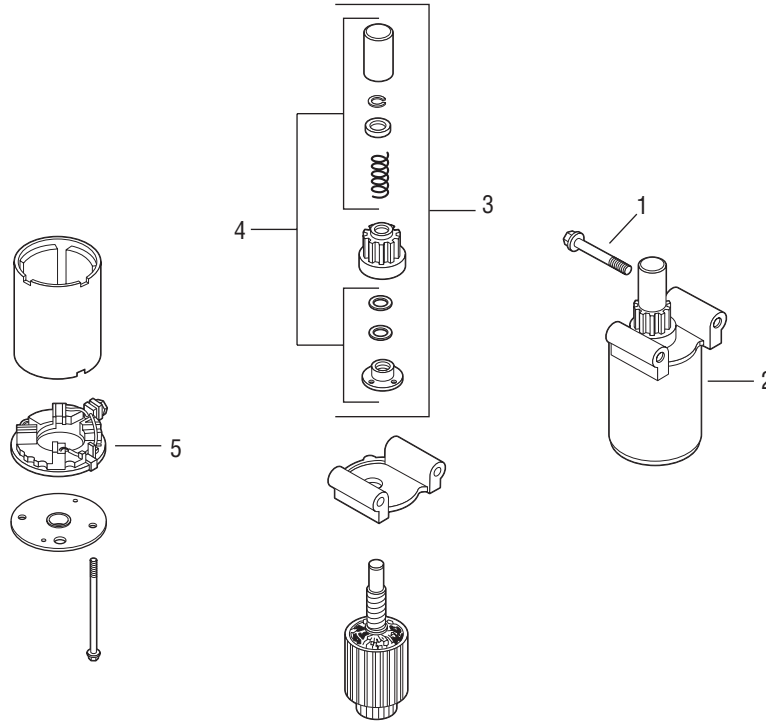
Kohler SV740-0010 Blower Housing & Baffles



Ref.	Part Number	Description
1	KH-32-027-03-S	Blower Housing (Inc. 2 & KH-41-037-10-S)
2	KH-32-096-08-S	Air Cleaner Cover
3	KH-M-545016-S	Hex Flange Screw, M5 x 0.8 x 16
4	KH-M-645016-S	Hex Flange Screw, M6 x 1.0 x 16
5	KH-32-146-05-S	Backing w/ Rectifier Plate — Regulator Opening
6	KH-32-063-05-S	Cylinder Barrel Baffle — #2 Side

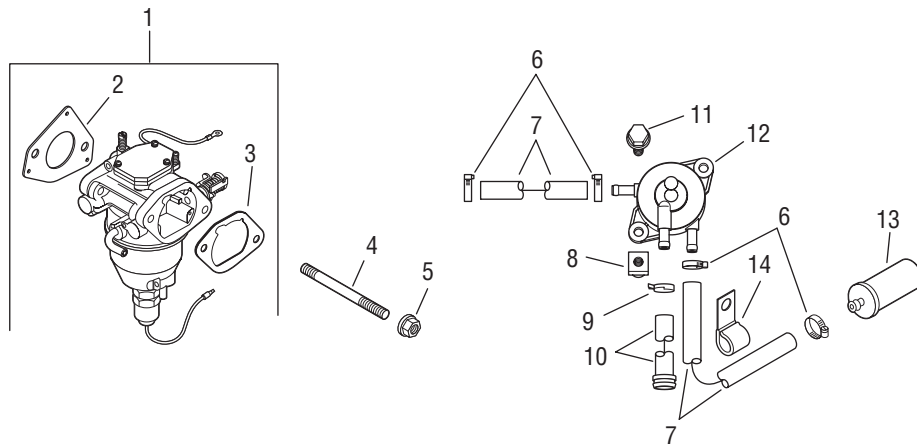
Ref.	Part Number	Description
7	KH-32-063-02-S	Valley Baffle — #2 Side
8	KH-M-545010	Hex Flange Screw, M5 x 0.8 x 10
9	KH-32-063-03-S	Valley Baffle — #1 Side
10	KH-32-063-04-S	Cylinder Barrel Baffle — #1 Side
11	KH-M-545020-S	Hex Flange Screw, M5 x 0.8 x 20
12	KH-24-086-12	Hex Cap Screw, M6 x 1.7 x 18
—	KH-41-037-10-S	Service Nameplate

Kohler SV740-0010 Starting System



Ref.	Part Number	Description
1	KH-M-851080-S	Hex Flange Screw, M8 x 1.25 x 70
2	KH-32-098-01-S	Starter Assembly (Inc. 3-5)
3	KH-12-755-39-S	Drive Kit
4	KH-12-755-38-S	Drive Parts Kit
5	KH-12-243-04-S	End Cap Commutator

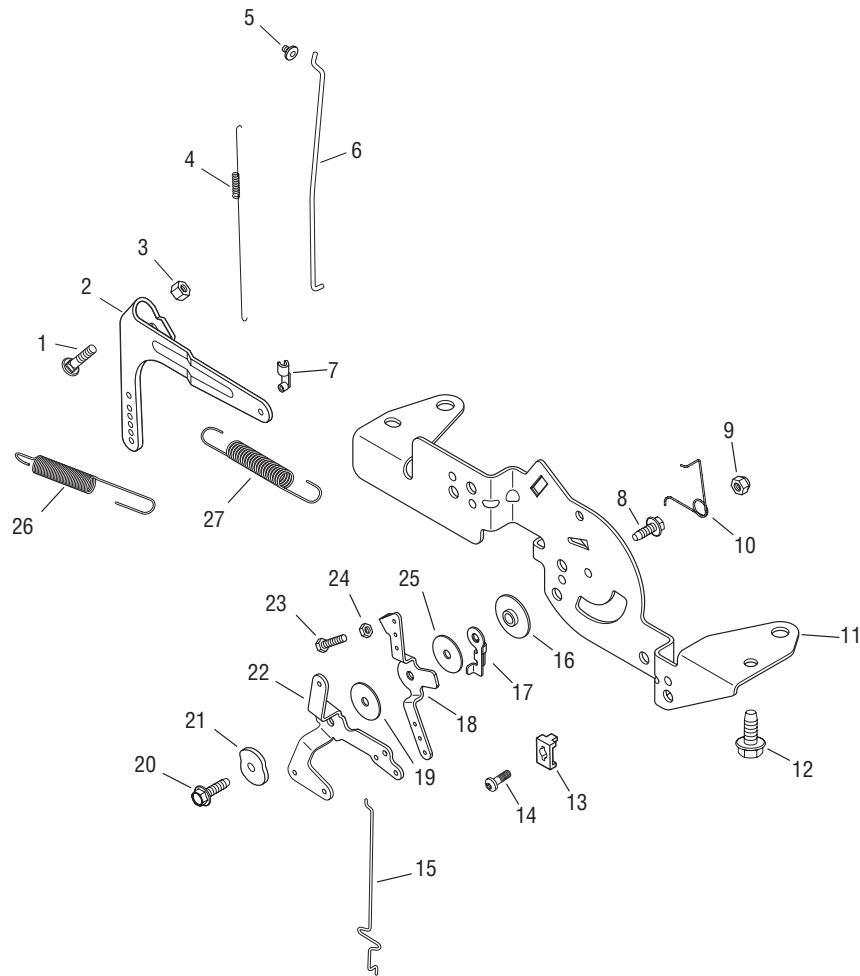
Kohler SV740-0010 Fuel System



Ref.	Part Number	Description
1	KH-32-853-12-S	Carburetor Kit w/ Gaskets (Inc. 2 & 3)
2	KH-24-041-52-S	Carburetor Gasket
3	KH-24-041-14	Air Cleaner Base Gasket
4	KH-M-629105-S	Carburetor Stud
5	KH-M-641060-S	Hex Flange Nut, M6 x 1.0
6	KH-25-237-14-S	Hose Clamp
7	KH-25-111-34-S	Fuel Line, 24
8	KH-24-100-01	Plastic Nut
9	KH-25-237-01-S	Hose Clamp
10	KH-32-326-07-S	Fuel Pump Hose

Ref.	Part Number	Description
11	KH-24-086-12	Hex Cap Screw, M6 x 1.7 x 18
12	KH-24-393-16	Pulse Fuel Pump
13	KH-25-050-22-S1	Fuel Filter
14	KH-47-154-01-S	Cable Clip
NS	KH-24-757-36-S	Service Choke Repair Kit
NS	KH-24-757-38-S	Service Gasket Repair Kit
NS	KH-24-757-44-S	Float Kit w/ Gaskets
NS	KH-24-757-45-S	Solenoid Valve Kit w/ Gaskets
NS	KH-24-757-46-S	Overhaul Kit w/ Gaskets

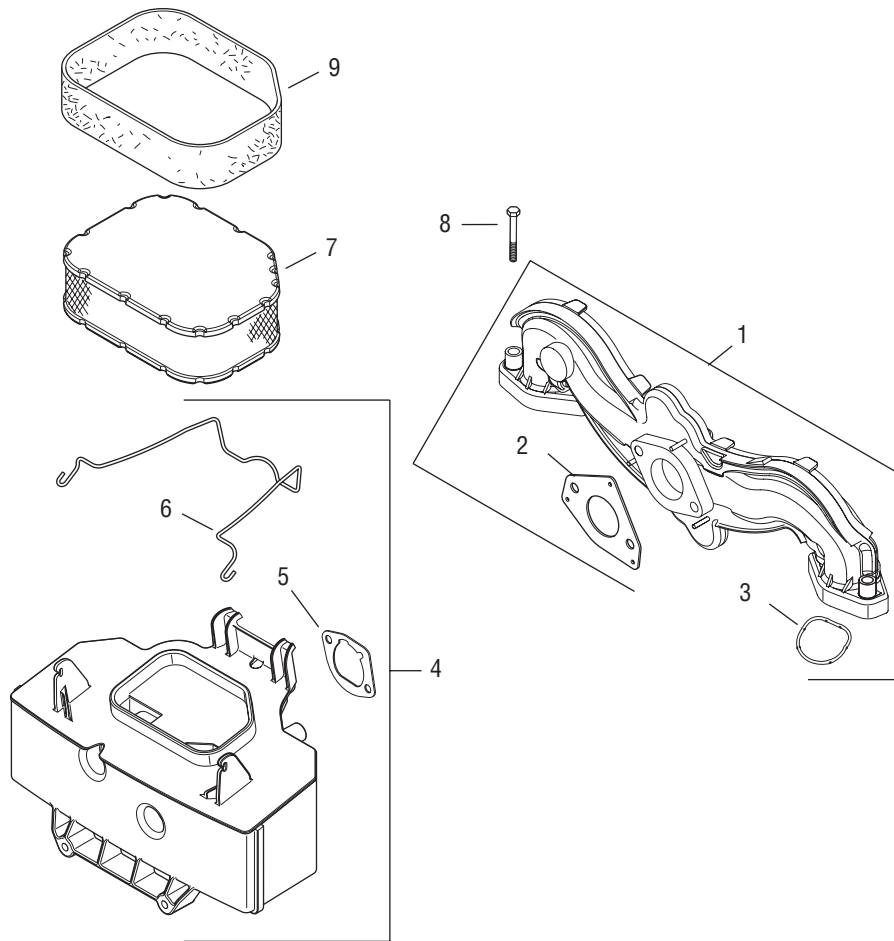
Kohler SV740-0010 Engine Controls



Ref.	Part Number	Description
1	KH-24-211-03-S	Round Head Square Neck Bolt
2	KH-24-090-51-S	Governor Lever
3	KH-M-641060-S	Hex Flange Nut, M6 x 1.0
4	KH-24-089-01	Linkage Spring
5	KH-25-158-08	Linkage Retaining Bushing
6	KH-24-079-04	Throttle Linkage
7	KH-25-158-11	Throttle Linkage Bushing
8	KH-M-545016-S	Hex Flange Screw, M5 x 0.8 x 16
9	KH-M-547050-S	Hex Lock Nut, M5 x 0.8
10	KH-24-089-03	Choke Return Spring
11	KH-24-126-161-S	Control Bracket
12	KH-M-645016-S	Hex Flange Screw, M6 x 1.0 x 16
13	KH-47-237-02	Dual Conduit Clamp
14	KH-24-086-43-S	Thread Forming Screw

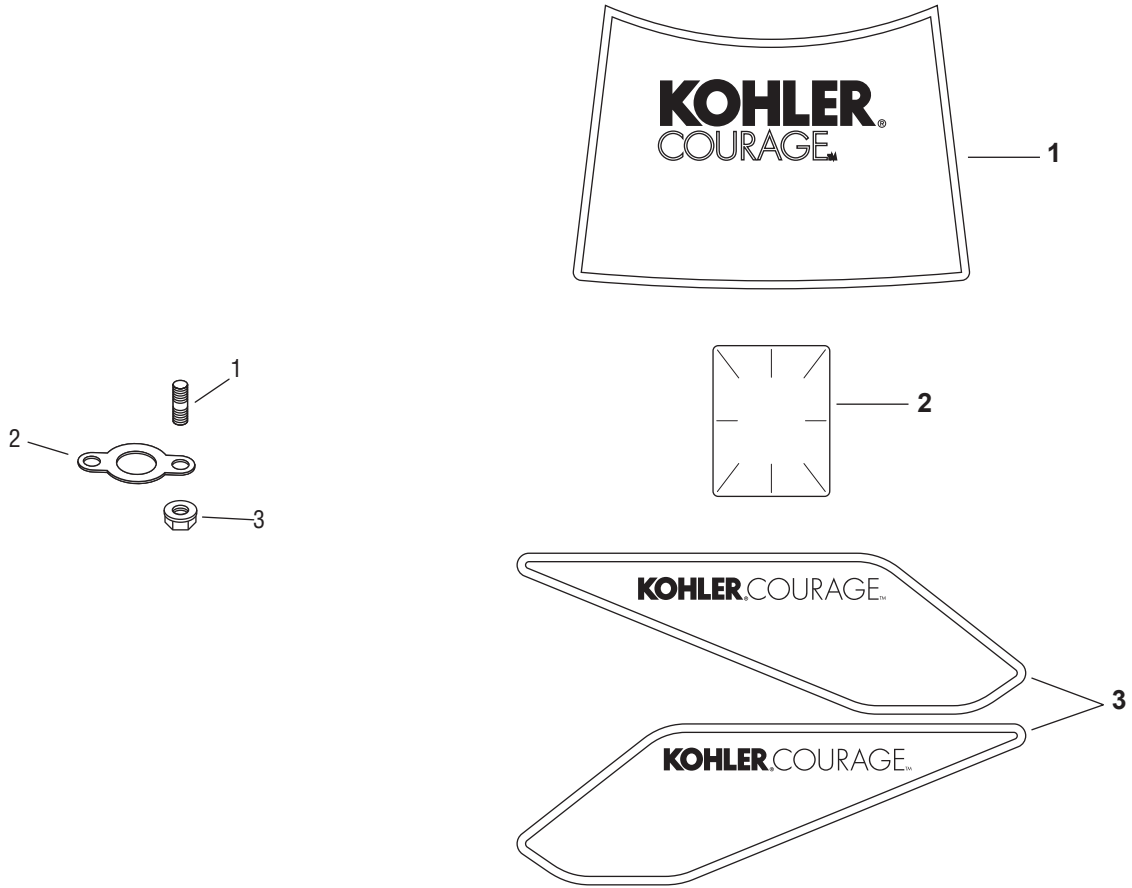
Ref.	Part Number	Description
15	KH-24-079-22-S	Choke Linkage
16	KH-24-112-27-S	Control Assembly Spacer
17	KH-24-090-47-S	Throttle Actuator Lever
18	KH-24-090-13	Throttle Control Lever
19	KH-24-468-01	Washer, 5.5 mm
20	KH-M-545020-S	Hex Flange Screw, M5 x 0.8 x 20
21	KH-41-468-03	Spring Washer, ¼
22	KH-24-090-05	Choke Lever
23	KH-M-403025	Hex Cap Screw, M4 x 0.7 x 25
24	KH-M-446030-S	Hex Nut, M4 x 0.7
25	KH-24-468-20-S	Washer
26	KH-24-089-25-S	Governor Spring
27	KH-24-089-55-S	Governor Spring

Kohler SV740-0010 Air Intake & Filtration



Ref.	Part Number	Description
1	KH-24-164-51-S	Intake Manifold (Inc. 2 & 3)
2	KH-24-041-52-S	Carburetor Gasket
3	KH-24-153-27-S	Intake Port O-Ring
4	KH-32-094-04-S	Air Cleaner Base (Inc. 5 & 6)
5	KH-24-041-14	Air Cleaner Base Gasket
6	KH-32-344-02-S	Air Cleaner Element Latch
7	KH-32-083-03-S1	Air Cleaner Element
8	KH-M-651040-S	Hex Flange Screw, M6 x 1.0 x 40
9	KH-32-083-03-S1	Element Pre-Cleaner

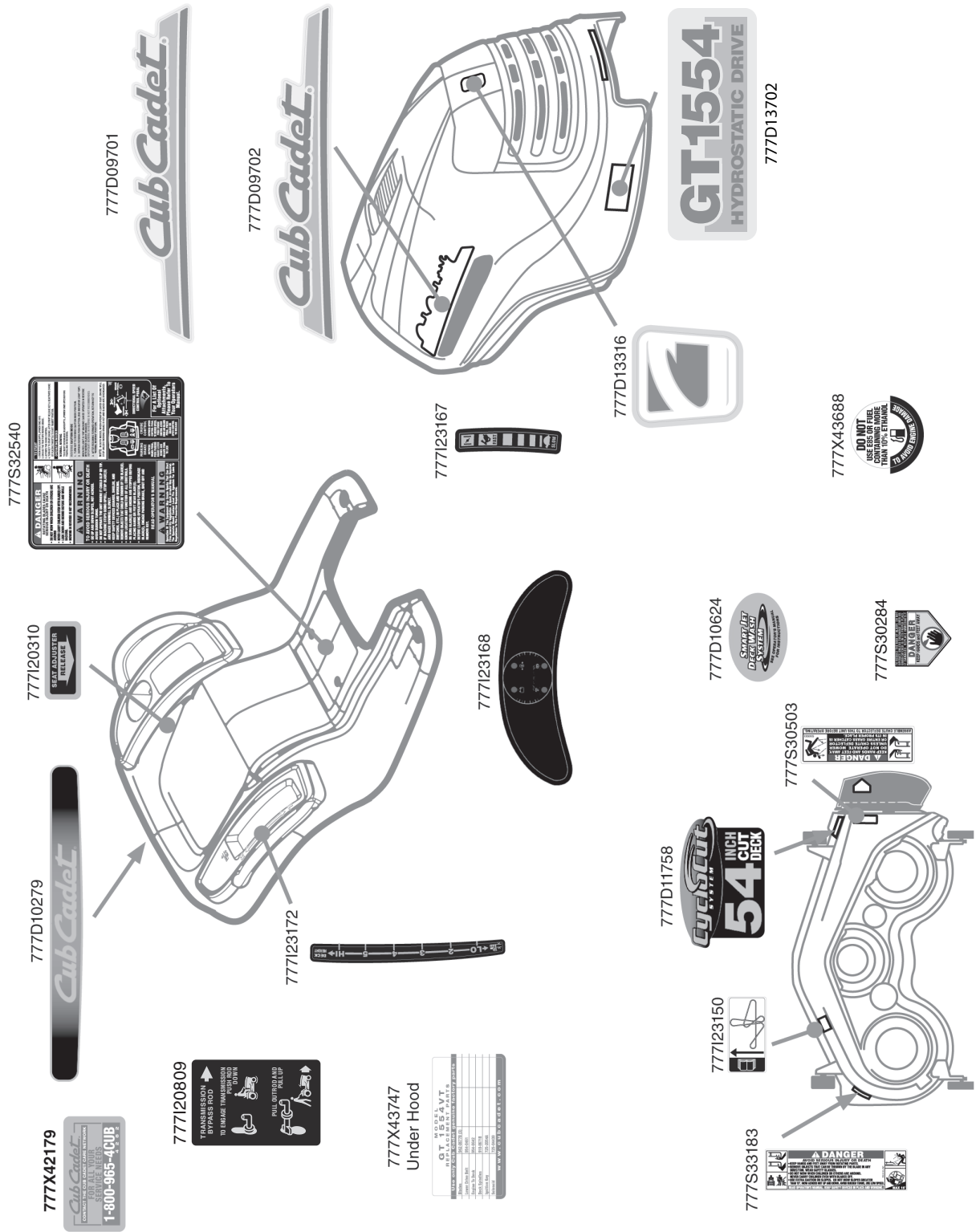
Kohler SV740-0010 Exhaust, Labels & Miscellaneous



Artwork is representative and actual labels may vary.

Ref.	Part Number	Description
1	KH-25-072-04	Stud, M8 x 1.25 x 33
2	KH-24-041-49-S	Exhaust Manifold Gasket
3	712-3086	Hex Flange Nut, M8 x 1.25

Ref.	Part Number	Description
1	KH-32-113-19-S	27 HP Decal
2	KH-25-113-39-S	Clear Laminate Decal
3	KH-32-113-20-S	MTD/CUB Decal (2-pc Wing Set)
NS	KH-32-522-01	Short Block
NS	KH-32-782-01	Mini-block
NS	KH-32-755-01-S	Overhaul Kit





To order replacement parts, call a Customer Support Representative at (800) 965-4CUB.
Locate your nearest Cub Cadet dealer at (877) 282-8684
or visit www.cubcadet.com to find the nearest Cub Cadet dealer in your area.

CUB CADET LLC, P.O. BOX 361131 CLEVELAND, OHIO 44136-0019
