

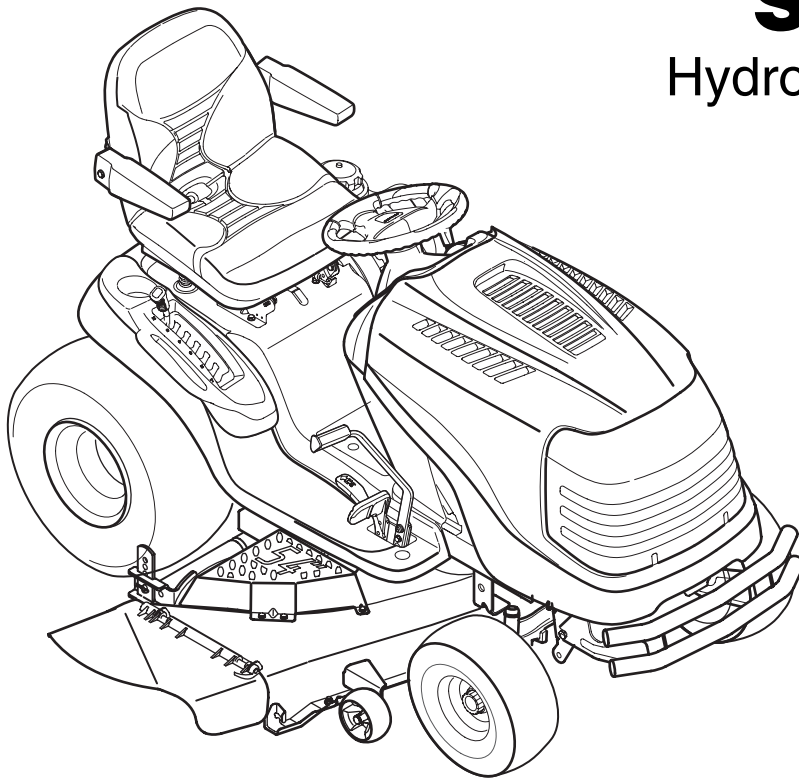
# *Cub Cadet*<sup>®</sup>

## Parts Manual

### **SERIES 1500**

Hydrostatic Garden Tractor

Model GT1554



**CUB CADET LLC, P.O. BOX 361131 CLEVELAND, OHIO 44136-0019**

PRINTED IN U.S.A.

FORM NO. 769-01669E  
02/23/2007

# SERIES 1500 HYDROSTATIC GARDEN TRACTORS

## TABLE OF CONTENTS

DESCRIPTION	PAGE	DESCRIPTION	PAGE
Axle, Front .....	6	Engine Accessories .....	24
Battery .....	18	Fender .....	10
Brake Pedal .....	14	Frame .....	8
Deck, 54-inch.....	20	Fuel Tank .....	10
Dash Panel .....	18	Head Lamp .....	16
Drive System .....	4	Hood .....	16
Electrical Schematic .....	37	Lift Linkage .....	11
Engine		Muffler .....	24
Air Intake/Filtration.....	24	PTO .....	13
Blower Housing & Baffles .....	25	Seat .....	12
Crankcase .....	26	Steering .....	6
Cylinder Head.....	28	Transmission, Hydrostatic .....	22
Engine Controls .....	30	Wheels, Front & Rear .....	3
Exhaust.....	28		
Fuel System.....	32		
Ignition / Electrical .....	33		
Oil Pan / Lubrication .....	34		
Starting System .....	35		

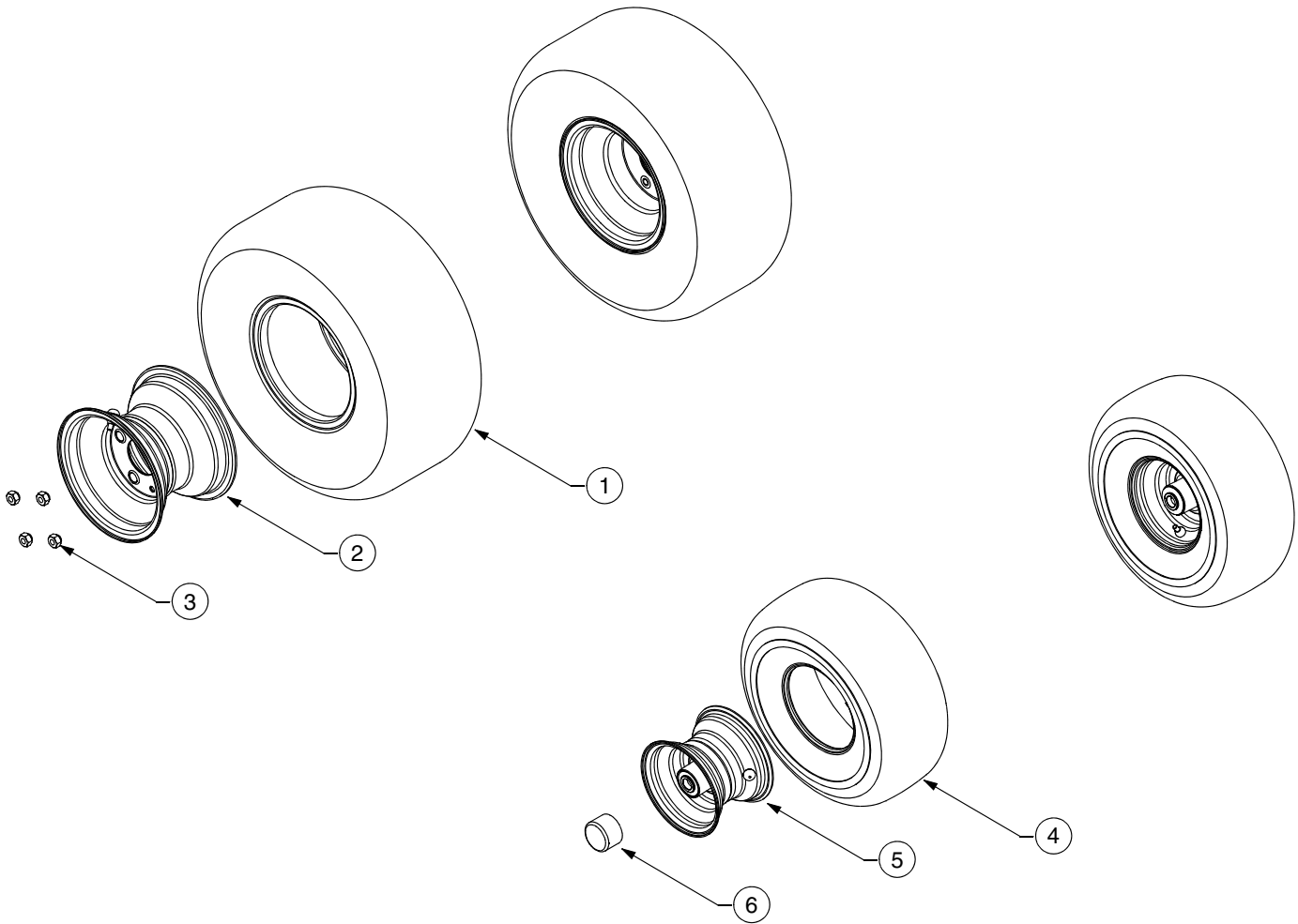
**NOTE,** For **painted parts**, please refer to the list of color codes below. Please add the applicable color code, wherever needed, to the part number to order a replacement part. For instance, if a part, numbered 700-xxxx, is painted Cub Yellow, the part number to order would be 700-xxxx-0716.

Cub Yellow: 0716

Cub Beige: 0499

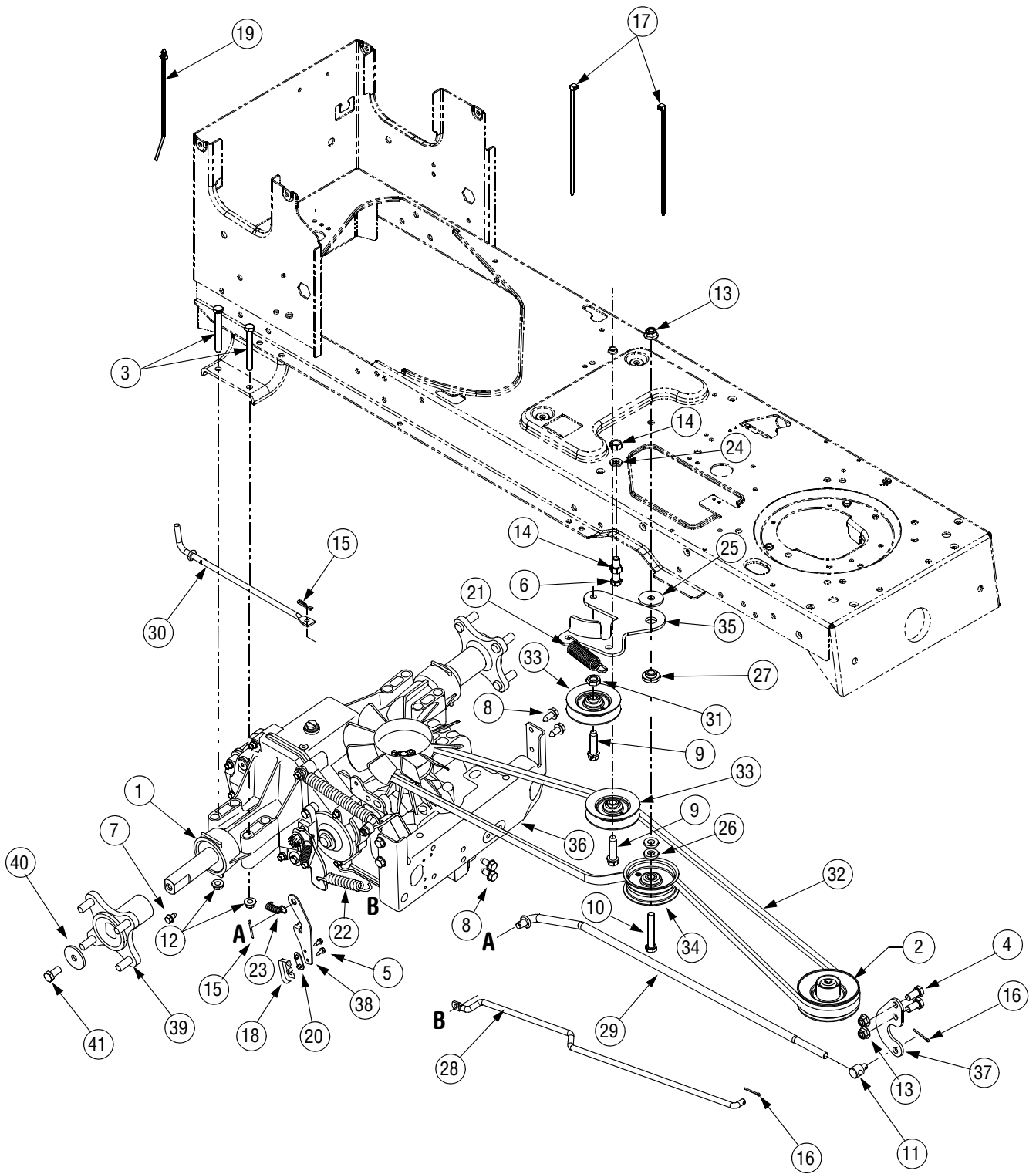
Powder Black: 0637

## WHEELS



REF. NO.	PART NUMBER	DESCRIPTION	QTY.
1	734-04147	Tire, Turf, 23 x 10.5 x 12	2
2	634-04238	Rim Assembly, 12 x 7 (4-Lug)	2
	734-0255	Valve, Tubeless Air	2
3	712-3050	Lug Nut, 7/16-14	8
4	734-04148	Tire, Turf, 16 x 7.5 x 8	2
5	634-04082	Rim Assembly, 8 x 5.3 (Includes Flange Bearings and Valve)	2
	741-04137	Bearing, Flange	4
	734-0255	Valve, Tubeless Air	2
6	731-05674	Hub Cap	2

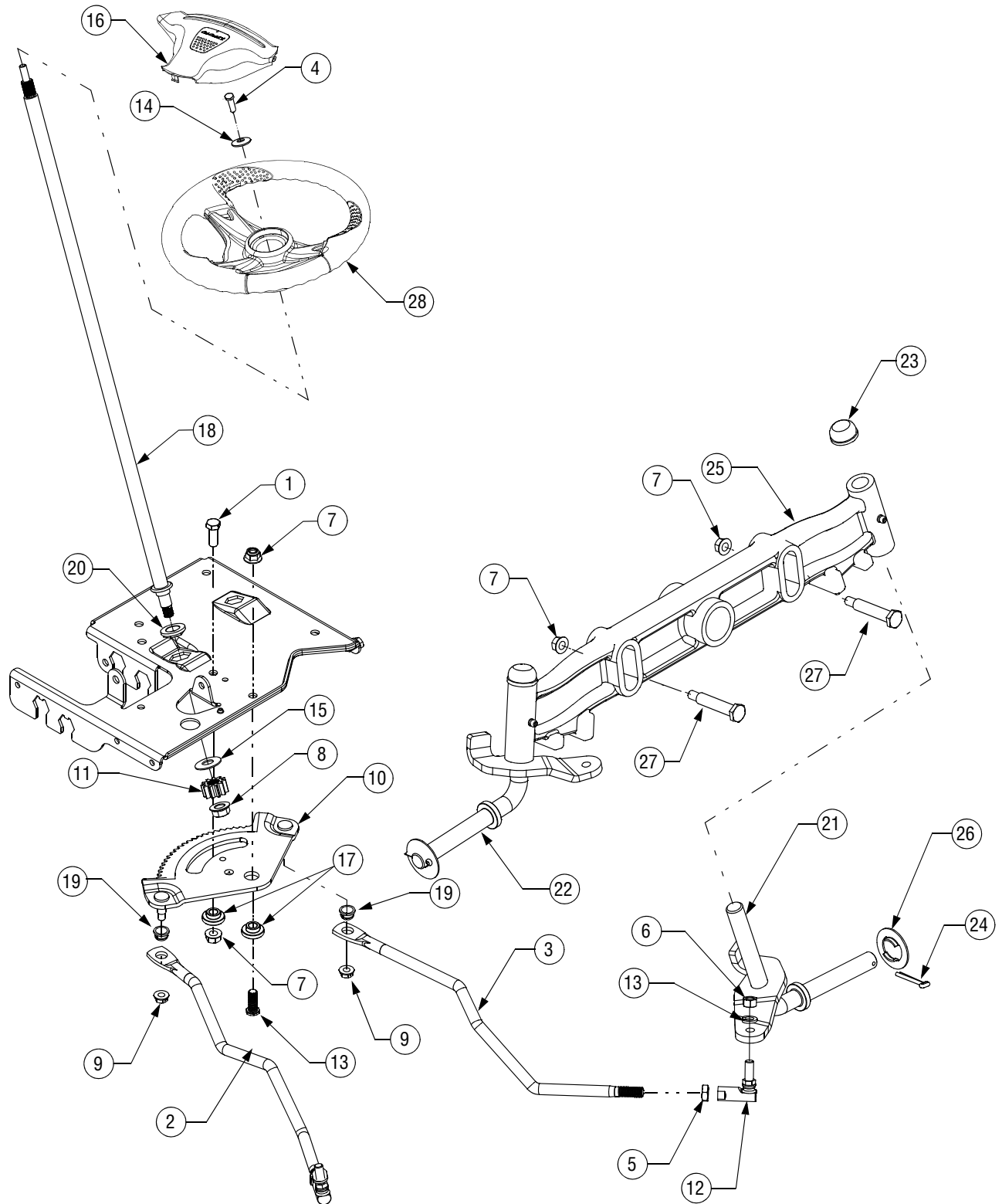
# DRIVE SYSTEM



## DRIVE SYSTEM

REF. NO.	PART NUMBER	DESCRIPTION	QTY.
1	618-04329	Transmission, Hydrostatic	1
2	756-0978B	Engine Pulley	1
3	710-0176	Screw, Hex Cap, 5/16-18 x 2.75 Gr5	4
4	710-0216	Screw, Hex Cap, 3/8-16 x .75 Gr5	2
5	710-0227	Screw, Hex Wash Hd Tapp, #8-18 x .5	2
6	710-0344	Hex Cap Screw, 3/8-16 x 1.5, Gr5	1
7	710-0599	Screw, Self-Tapp, 1/4-20 x .5	1
8	710-0726	Screw, Self-Tapp, 5/16-12 x .75	6
8	710-1007	Screw, Self-Tapp, 3/8-16 x 1.5	2
10	710-3011	Hex Cap Screw, 3/8-16 x 2.25, Gr5	1
11	711-0832	Ferrule, 3/8-24 x .375 Dia	1
12	712-3004A	Nut, Flange Insert Lock, 5/16-18 Gr5	4
13	712-04065	Nut, Flange Insert Lock, 3/8-16 GrF	3
14	712-3017	Nut, Hex, 3/8-16, GR5	2
15	714-0104	Pin, Cotter, .072 Dia. x 1.13	2
16	714-0111	Pin, Cotter, 3/32, 1.0	2
17	725-0157	Cable, Tie, 3/16 x .05 x 7.4	2
18	725-1644	Switch, Spring, Short	1
19	726-0154	Tie, Cable, Push Mount 7.5	1
20	726-0320	Plate, Insulator Nut	1
21	732-04323B	Spring, Extension, .77 Dia x 3.7 Lg	1
22	732-0716C	Spring, Extension, .59 OD x 4.00 Lg	1
23	732-3118	Spring, Extension, 3/8 OD x 1.44 Lg	1
24	736-0169	Washer, Lock, 3/8, Regular Duty	1
25	736-0320	Washer, Flat, .38 x 1.38 x .125	1
26	736-3010	Washer, Flat, .407 x .812 x .135	1
27	738-0372B	Spacer, Shoulder, 1.00 x .38 x .38	1
28	747-04140	Rod, Brake	1
29	747-1119	Rod, Hydro Control	1
30	747-1121A	Rod, Hydro Disengage	1
31	712-0240	Jam Nut, 7/16-20	1
32	754-0349	Belt, V-Type	1
33	756-04209	Pulley, Idler, V-Type x 3.06 Dia	2
34	756-04224	Pulley, Idler, Flat 2.75 OD	1
35	783-04442	Bracket, Idler	1
36	783-0667B	Bracket, Transmission Torque	1
37	783-0745	Bracket, Speed Control	1
38	783-0782	Bracket, Actuator	1
39	618-04317	Hub Assembly	2
40	736-0227	Washer, Flat, .390 x 1.5 x .134	2
41	710-3119	Screw, Hex Cap Lock, 3/8-16 x .75 Gr5	2
—	629-04143	Wire Harness, Reverse	1

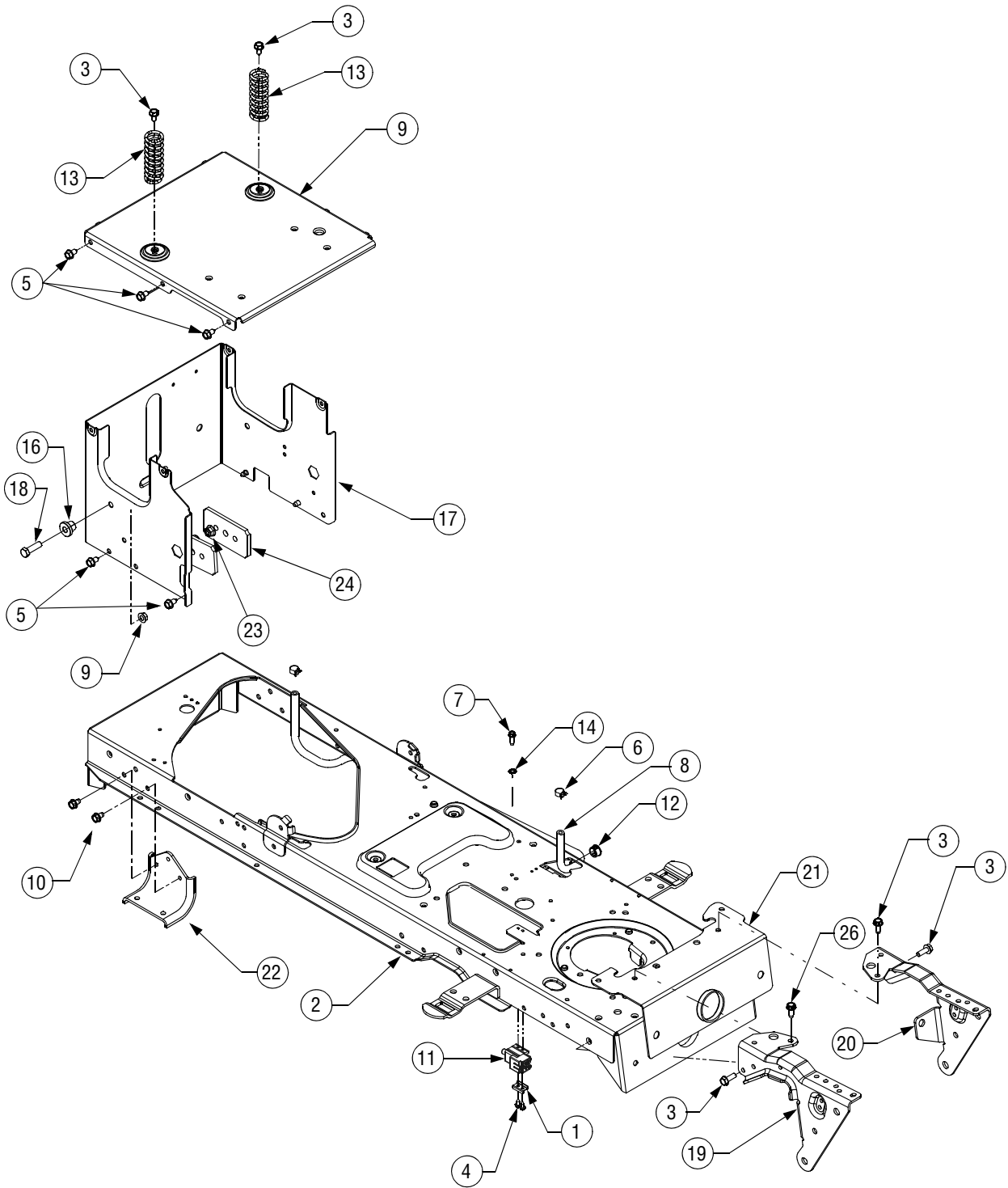
# STEERING



## STEERING

REF. NO.	PART NUMBER	DESCRIPTION	QTY.
1	710-0514	Hex Cap Screw, 3/8-16, 1.00, Gr5, Std	1
2	711-1408	Link, Drag, RH	1
3	711-1409A	Link, Drag, LH	1
4	710-1260	Self-tapping Screw, 5/16-18 x .75	1
5	712-0240	Nut, Jam, 7/16-20, Gr2	2
6	712-0214	Nut, Hex, 3/8-24, Gr5	2
7	712-04065	Nut, Nylon Lock, 3/8-16	4
8	712-0459	Nut, Flange Lock, 7/16-20	1
9	712-3004A	Nut, Flange Lock, 5/16-18	2
10	717-1550E	Gear, Steering, 11/90 Ratio	1
11	717-1554	Gear, Pinion, Steering	1
12	723-0448A	Ball Joint, 7/16-20	2
13	710-04095	Hex Cap Screw, 3/8-16, 1.00	1
14	736-3004	Washer, Flat, .406 x .875 x .105	1
15	736-3084	Washer, Flat, .510 x 1.120 x .060	1
16	731-04532A	Cover, Steering Wheel	1
17	738-04154	Spacer, Shoulder, 1.00 x .38 x .38	2
18	738-04075	Shaft, Steering, .625 OD x 25.00 Lg	1
19	741-0475	Bushing, Plastic, .380 ID	2
20	741-0656A	Bearing, Hex Flange, 5/8	1
21	638-04003A	Axle Ass'y, LH .750 Dia.	1
22	638-04004A	Axle Ass'y, RH .750 Dia.	1
23	726-0341	Push Cap, .75	2
24	714-04039	Pin, Cotter, 5/32, 1.25	2
25	719-04105	Axle, Pivot, Cast .750 Dia	1
26	736-0866	Washer, Flat, .755 x 1.92 x .060	2
27	738-1011A	Screw, Shoulder, .500 x 2.230, 3/8-16	2
28	631-04008A	Wheel, Steering, Three Spoke	1

# FRAME

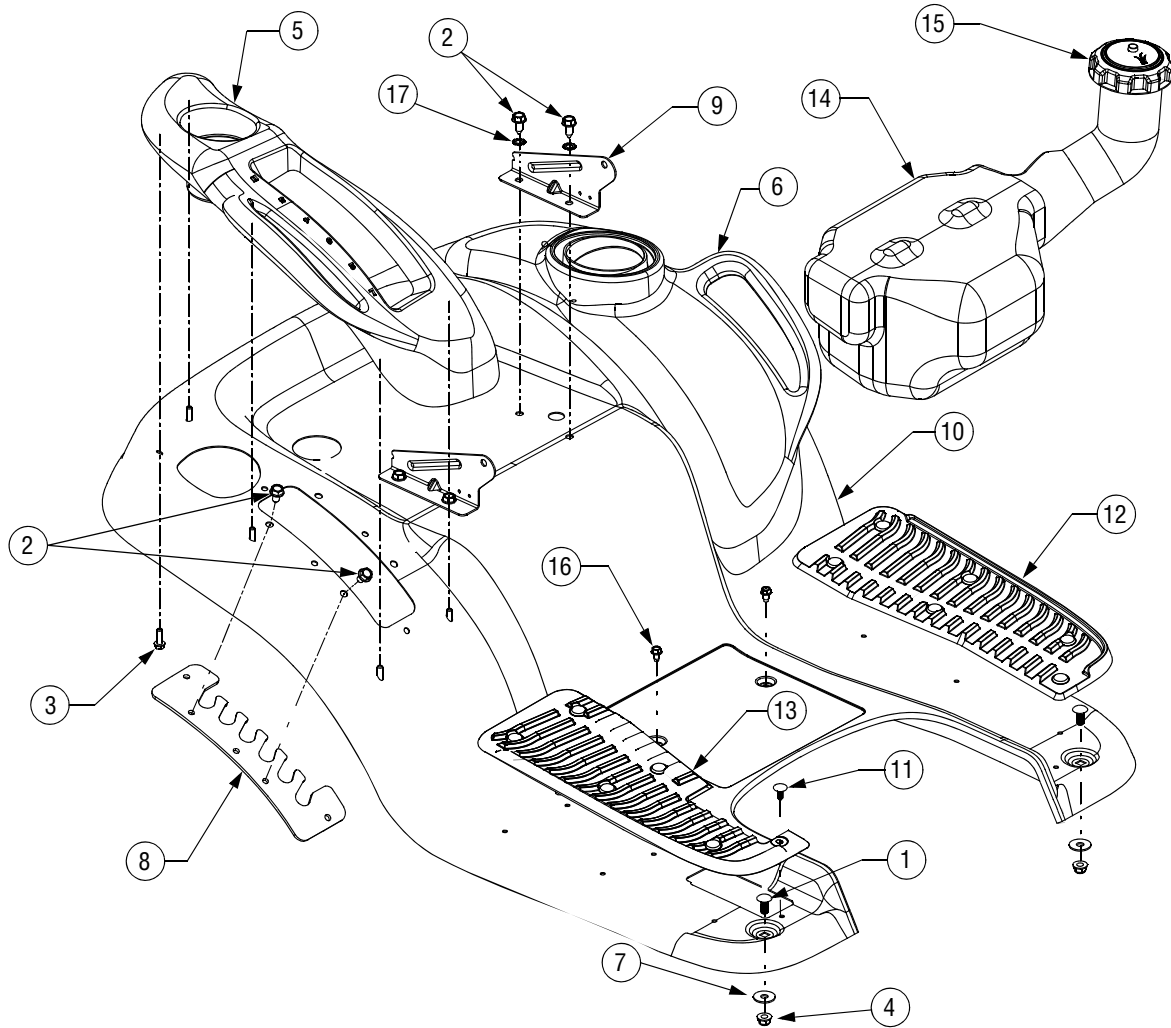




## FRAME

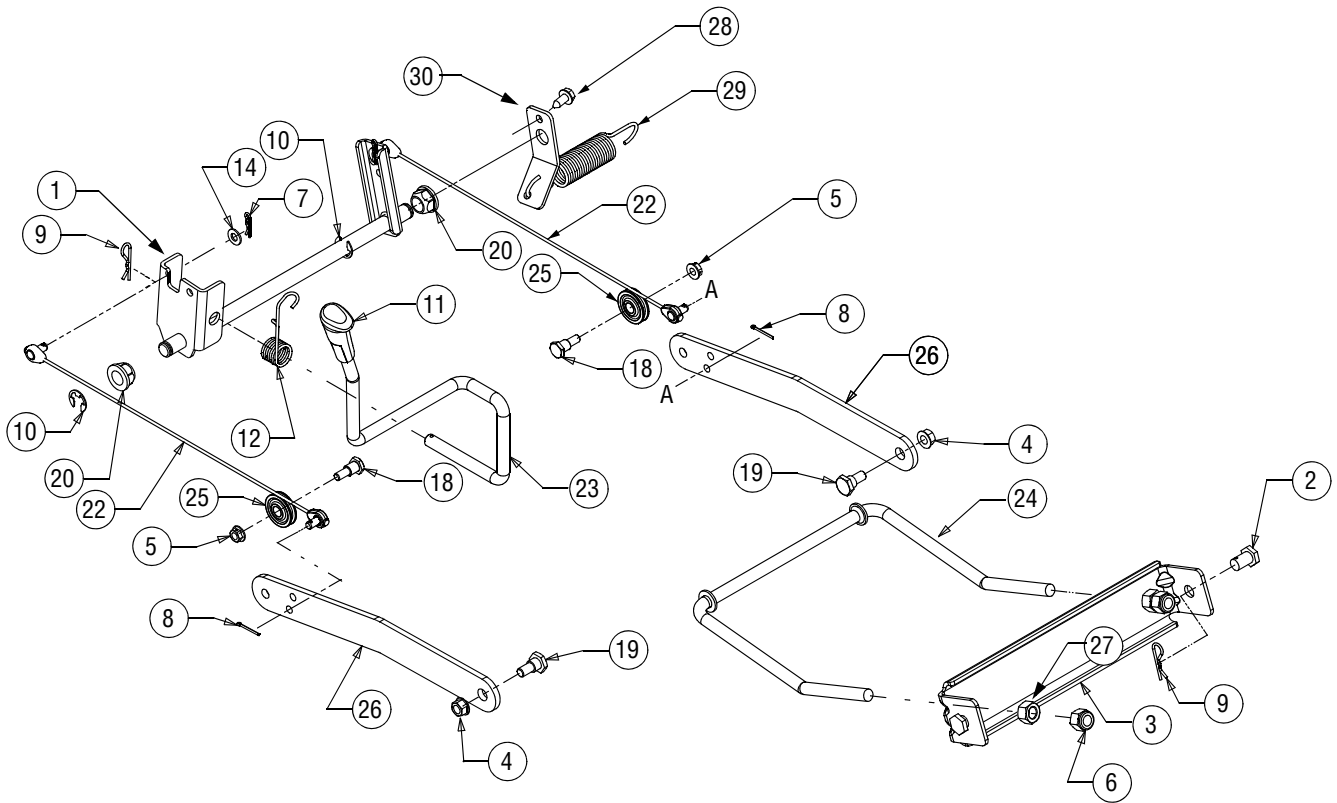
REF. NO.	PART NUMBER	DESCRIPTION	QTY.
1	17962	Plate, Switch	1
2	683-04173	Frame Assembly, Lower	1
3	710-1260A	Screw, Self-tapping, 5/16-12, 0.75	6
4	710-0224	Screw, Hex Wash. Hd. Tapp, 10-16 x .5	2
5	710-0604A	Screw, Self-tapping, 5/16-18, 0.625	5
6	726-0205	Clamp, Hose, .490 Dia.	2
7	710-1652	Screw, Hex Wash. 1/4-20 x 0.625	1
8	751-10349	Fuel Line, Low Permeation, 29"	1
9	783-04746	Bracket, Frame, Seat	1
10	710-0607	Screw, Hex Wash. Tapp, 5/16-18 x .5	1
11	725-04039	Switch, Interlock	1
12	741-04092	Snap Bushing	1
13	732-04035	Spring, Compression, 1.28 OD x 3.125	2
14	736-0222	Washer, Lock, Ext 1/4	2
16	738-04058	Shoulder Spacer	2
17	783-04808D	GT Frame, Upper	1
18	710-3005	Hex Screw 3/8-16 x 1.25	2
19	783-0726E	Bracket, Pivot, Support RH	1
20	783-0727D	Bracket, Pivot, Support LH	1
21	783-0728B	Bracket, Pivot, Bar	1
22	783-0693	Bracket, Axle	2
23	712-04065	Nut, Flange Lock, 3/8-16	2
24	783-05005	Plate, Support	2

## FENDER & FUEL TANK



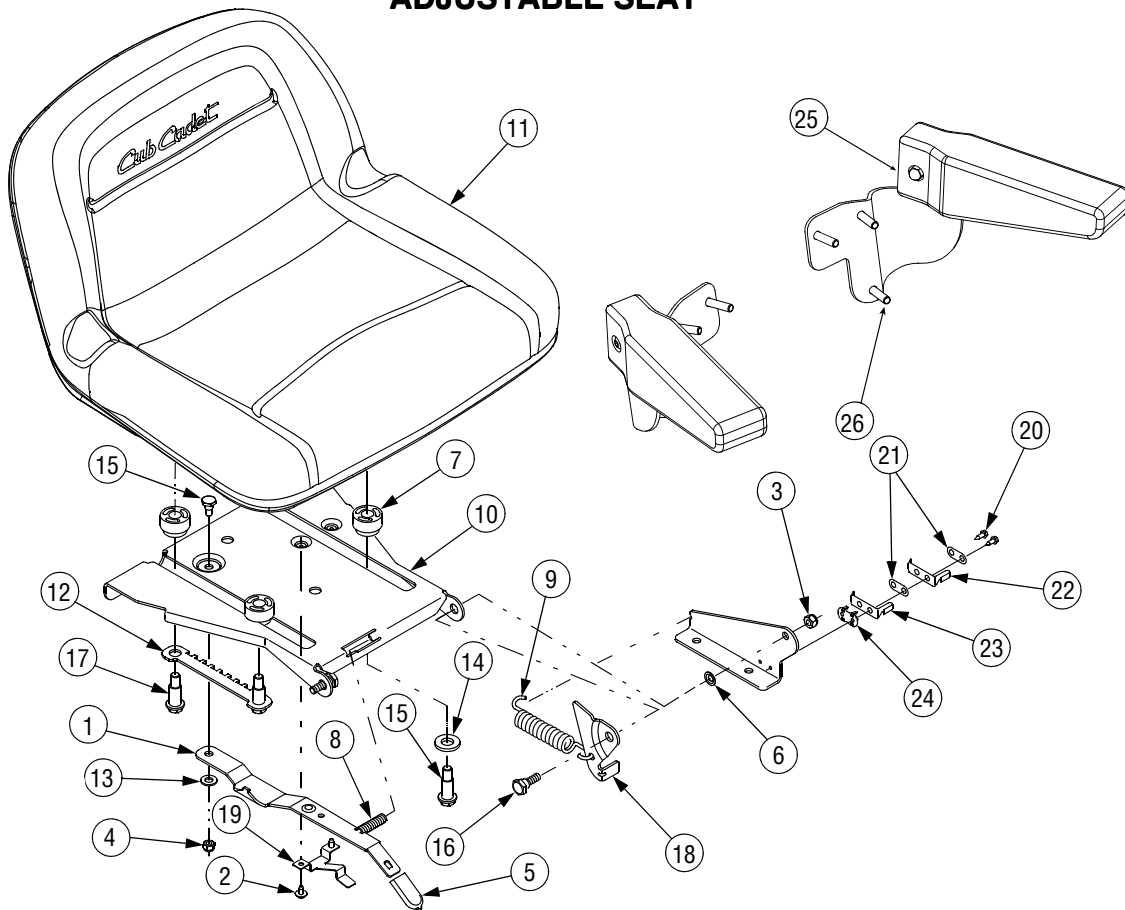
REF. NO.	PART NUMBER	DESCRIPTION	QTY.
1	710-0451	Screw, Carriage, 5/16-18 x .75	2
2	710-0726	Screw, 5/16-12, 0.75	8
3	710-0895	Screw, 1/4-15, 0.750	9
4	712-04063	Nut, Nylon Lock, 5/16-18	2
5	731-2616A	Cover, Fender, RH	1
6	731-2617	Cover, Fender, LH	1
7	736-3078	Washer, Flat, .349 x 1.00 x .063	2
8	783-0677B	Bracket, Lift, Adjustment	1
9	783-1489A	Bracket, Seat, Mount	2
10	783-04477	Fender	1
11	726-3046	Clip, Ratchet, .250 Dia	12
12	735-0697A	Pad, Foot, LH	1
13	735-0698B	Pad, Foot, RH	1
14	751-0819B	Tank, Fuel	1
15	751-3124B	Cap, Fuel	1
16	710-0599	Screw, Self-tapping, 1/4-20, 0.500	2
17	736-0607	Washer, Lock, 5/16 External Tooth	2

## LIFT ASSEMBLY



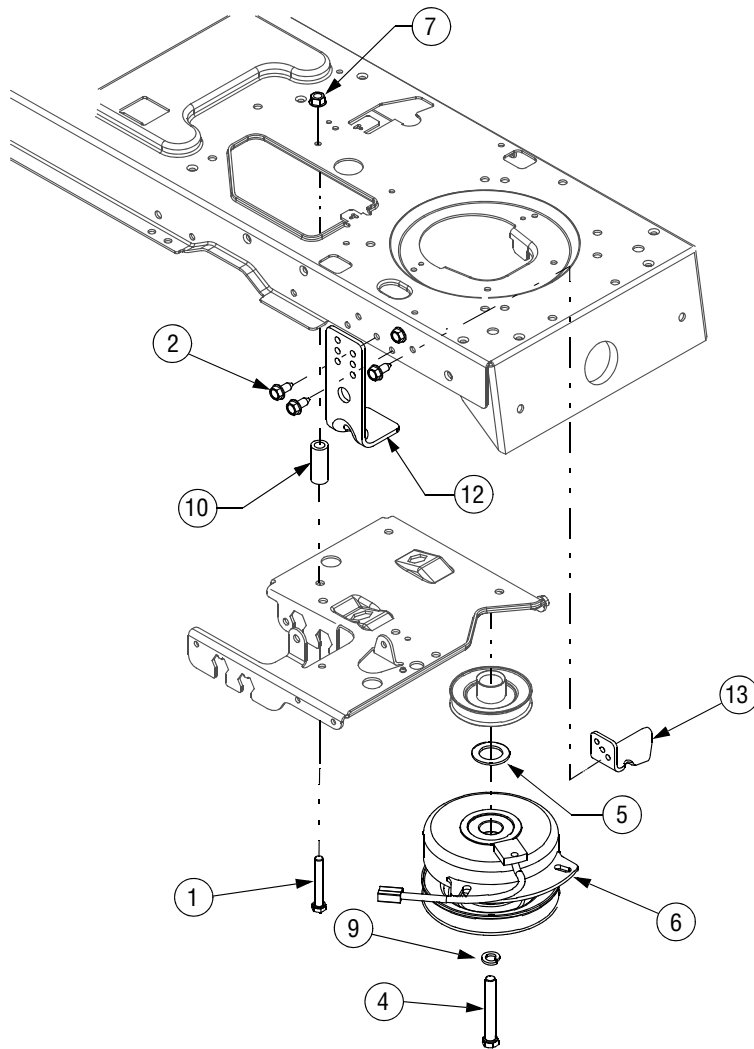
REF. NO.	PART NUMBER	DESCRIPTION	QTY.
1	683-04301	Shaft Assembly, Lift	1
2	711-0332	Pin, Clevis, .50 Dia x .78 Lg	2
3	783-0720A	Bracket, Deck	1
4	712-04065	Nut, Nylon Lock, 3/8-16	2
5	712-04063	Nut, Nylon Lock, 5/16-18, Gr5	2
6	712-3083	Nut, Hex Lock, 1/2-13, Gr8, Nylon	2
7	714-0104	Pin, Cotter, .072 Dia. x 1.13 Lg	2
8	714-0111	Pin, Cotter, 3/32, 1.0	2
9	714-04023	Pin, Click, .092 x 1.64 Lg	2
10	716-0106A	E-ring, .625 Dia. Shaft	2
11	720-0311	Grip, Handle	1
12	732-0874	Spring, Torsion	1
18	738-0138A	Screw, Shoulder, 5/16-18x.620 Gr2	2
19	738-0143	Shoulder Screw, 3/8-16	2
20	741-0225	Bearing, Hex Flange	2
22	746-0968	Cable, Lift, 16.16 Lg	2
23	747-04447	Handle, Lift	1
24	747-1324	Rod, Deck .5" Dia.	1
25	756-1154	Pulley, Roller	2
26	783-05546	Arm, Lift	2
27	712-0206	Nut, Hex, 1/2-13	2
28	710-0726	Screw, Self-tapping, 5/16-12, 0.75	1
29	732-0791	Spring, 1.01 x 6.5	1
30	783-04462	Bracket, Lift	1

## ADJUSTABLE SEAT



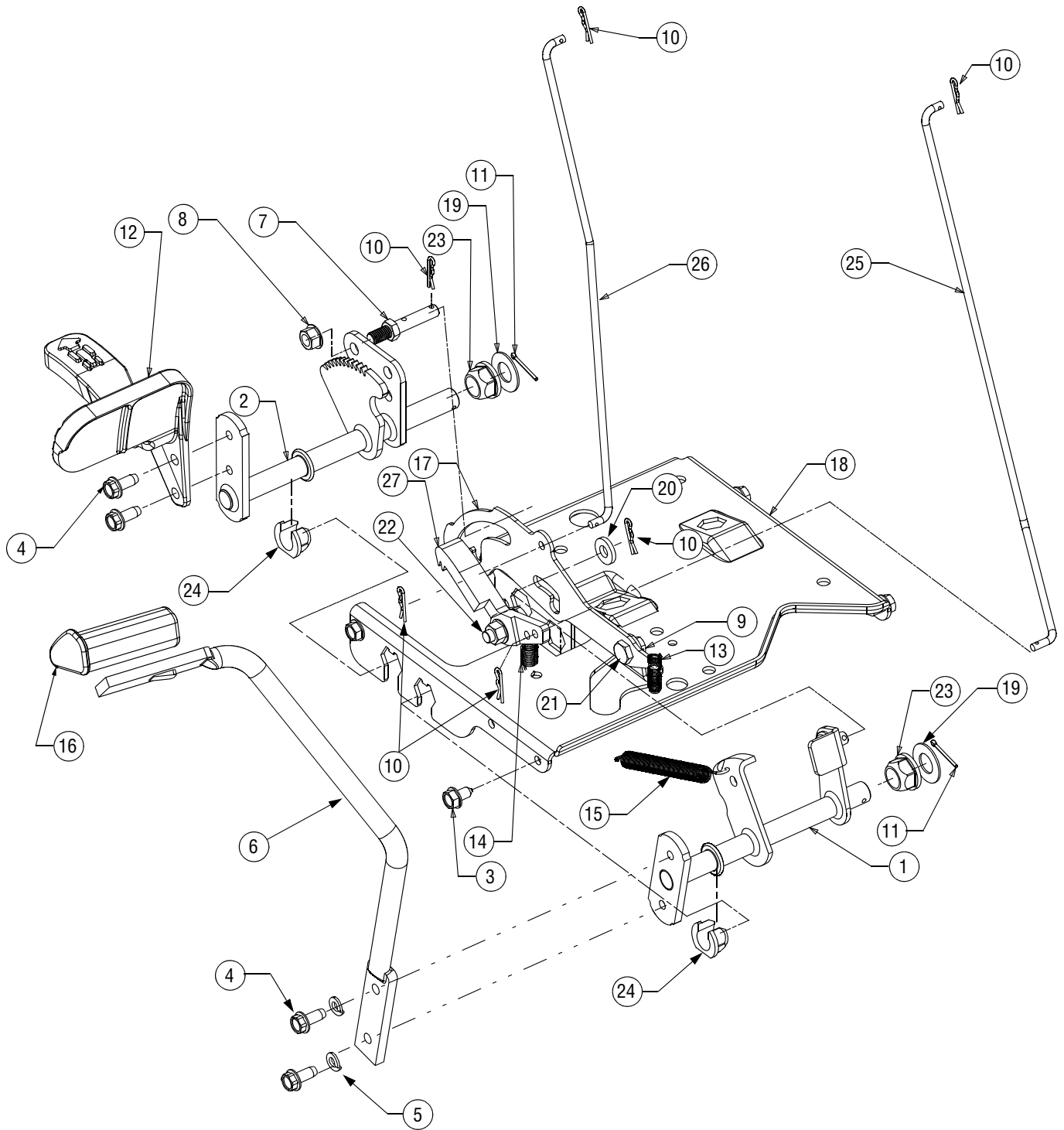
REF. NO.	PART NUMBER	DESCRIPTION	QTY.
1	783-0739A	Lever, Seat, Adjustment	1
2	710-1268	Screw, #10-16, 0.375	2
3	712-04063	Nut, Nylon Lock, 5/16-18, Gr5	2
4	712-04064	Nut, Nylon Lock, 1/4-20 GrF	1
5	720-0433	Grip, Seat, Adjustment (Yellow)	1
6	726-0201	Nut, Speed, .3125 ID	2
7	731-04074	Spacer, Seat, Adjustment	4
8	732-0499	Spring, Compression .41 x 1.50	1
9	732-1184	Spring, Extension, .80 Dia x 4.6	1
10	783-0738D	Bracket, Seat Pivot	1
11	757-04035	Seat, <i>Cub Cadet</i> , High Back	1
12	783-0753	Selector, Seat, Adjustment	1
13	736-0204	Washer, Flat, .344 x .620 x .033	1
14	736-3019	Washer, Flat, .531 x 1.062 x .134	2
15	738-0137A	Screw, Shlder, .340 x .285, 1/4-20	1
16	738-0296	Shoulder, Screw .437 x .286 Lg	2
17	738-0966A	Screw, Shoulder, .50 x.925, 3/8-16	4
18	783-0209D	LH Bracket, Seat Lift	1
	17239D	RH Bracket, Seat Lift	1
19	783-0611	Stop, Seat, Adjustment	1
20	710-0227	Screw, #8-18 x .50	2
21	726-0279	Plate, Insulator	2
22	725-1303	Spring Switch, Outer	1
23	725-1439	Spring Switch, Inner	1
24	726-0278	Plate, Insulator Boss	1
25	757-04039	Armrests (Includes two armrests)	1
26	710-1260A	Screw, 5/16-18, .75	6

## POWER TAKE-OFF (PTO) SYSTEM



REF. NO.	PART NUMBER	DESCRIPTION	QTY.
1	710-3011	Screw, 3/8-16 x 2.25 GR5	1
2	710-0726	Screw, 5/16-12, .75	3
3	710-1260A	Screw, 5/16-18, .75	1
4	710-04379A	Screw, Hex Cap, 7/16-20 x 3.50 GR5	1
5	736-0277	Washer, Flat, 1.031 x 1.62 x .095	1
6	717-1774B	Clutch, PTO	1
7	712-04065	Nut, Hex. Nylon Lock, 3/8-16	1
8	736-0171	Washer, Lock, 7/16, Regular Duty	1
9	736-0171	Washer, Lock, 7/16	1
10	748-0415B	Spacer, 3/8 x 1.54	1
11	736-0277	Washer, Flat, 1.031 x 1.62 x .095	1
12	783-04467	Deck Stop	1
13	783-04419B	Bracket, Clutch	1

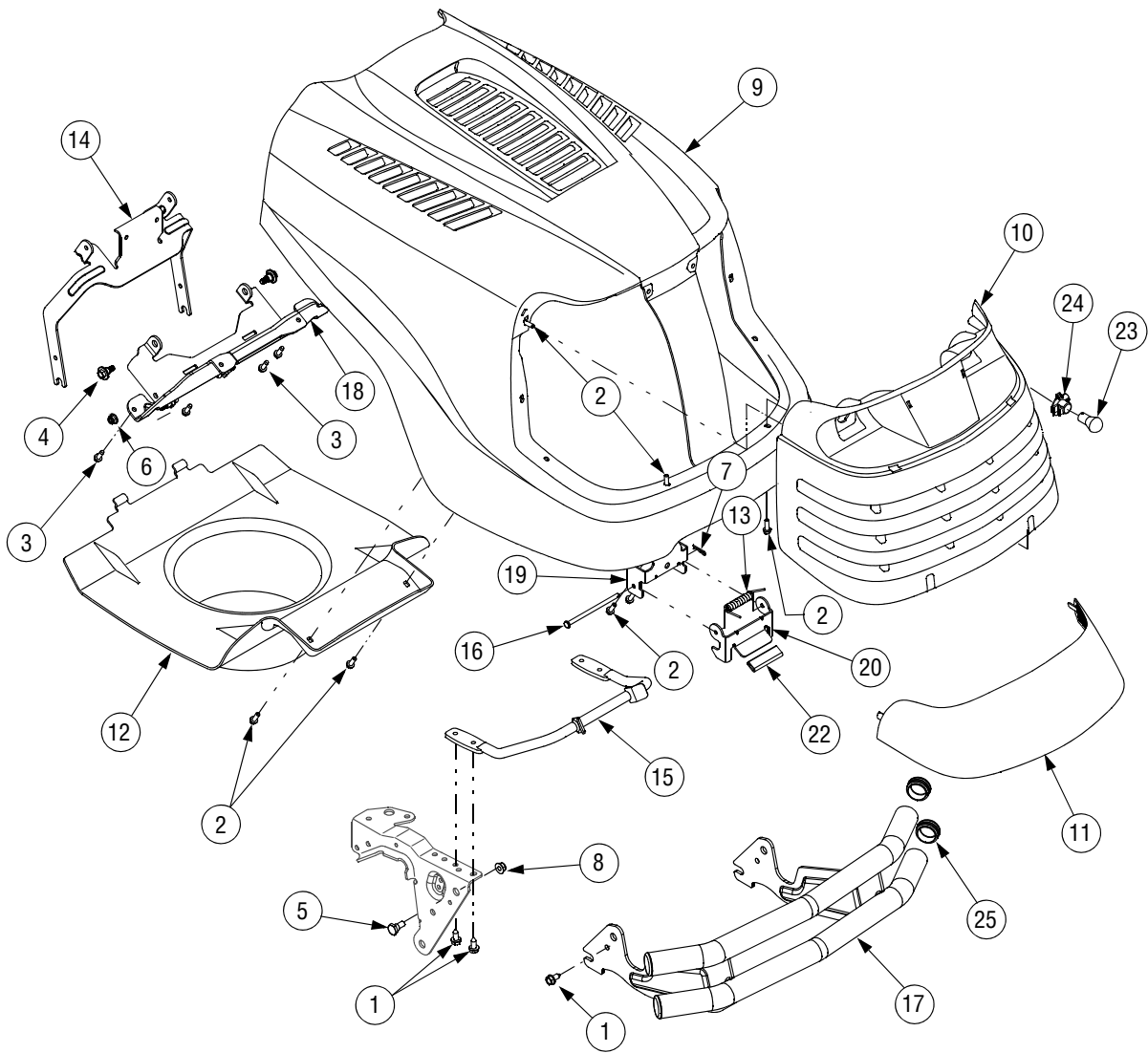
# PEDAL ASSEMBLY



## PEDAL ASSEMBLY

REF. NO.	PART NUMBER	DESCRIPTION	QTY.
1	647-04100	Control Assembly, Brake	1
2	647-0049A	Control Assembly, Hydro	1
3	710-0726	Screw, Self-tapping, 5/16-12, 0.75	4
4	710-1260A	Screw, Self-tapping, 5/16-18, 0.75	1
5	736-0119	Washer, Lock, 5/16	1
6	783-04641	Pedal, Brake	1
7	711-04159B	Pin, 3/8-16, 3/8 x 2.68	1
8	712-04065	Nut, Nylon Lock, 3/8-16	2
9	712-3004A	Nut, Flange Lock, 5/16-18, Gr5	1
10	714-0104	Pin, Cotter, .072 Dia. x 1.13 Lg	5
11	714-0111	Pin, Cotter, 3/32, 1.0	2
12	719-0584B	Pedal, Hydro Control	1
13	732-0335	Spring, Compression, .405 x 1.17	1
14	732-0955	Spring, Extension, .50 OD x 1.41 Lg	1
15	732-0963	Spring, Extension, .50 Dia x 6.37 Lg	1
16	735-3049A	Pad, Brake, Control	1
17	783-0663E	Bracket, Lockout, Hydro	1
18	783-04612	Bracket, Support, Stearing	1
19	736-0187	Washer, Flat .64 x 1.24 x .06	2
20	736-0262	Washer, Flat, .385 x .870 x .092	1
21	738-0155	Shoulder, Screw .437	1
22	738-0380	Shoulder, Screw 3/8-16	1
23	741-0225	Bearing, Hex Flange	2
24	741-3065B	Bearing, Hex Flange, .628 ID, Split	2
25	747-04096	Rod, Control, Cruise	1
26	747-04093A	Rod, Control, Brake Lock	1
27	748-04039C	Latch, Cruise	1

# HOOD & GRILLE

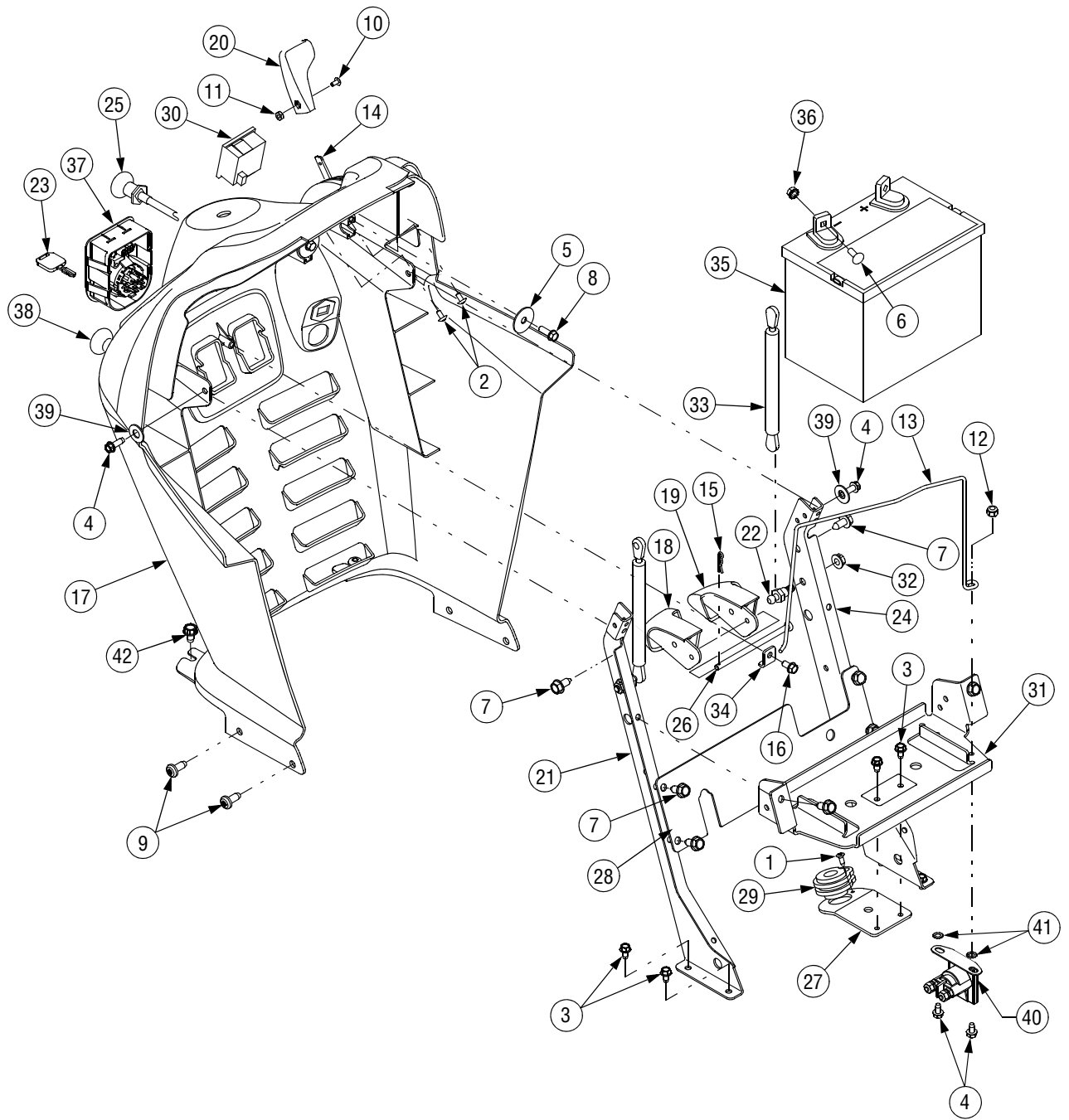




## HOOD & GRILLE

REF. NO.	PART NUMBER	DESCRIPTION	QTY.
1	710-0726	Screw, 5/16-12 x.750	2
2	710-0895	Screw, 1/4-15 x.750	8
3	710-0642	Screw, Self Tapp, 1/4-20 x.750	6
4	738-04091	Screw, Shoulder, 5/16-18	2
5	738-0143	Bolt, Shoulder, 3/8-16	2
6	712-04063	Nut, Flange Lock, 5/16-18	2
7	714-0104	Pin, Cotter,.072 Dia. x 1.13	1
8	712-04065	Nut, Nylon Lock, 3/8-16	2
9	731-05053B	Hood	1
10	731-05103	Grill	1
11	731-05111	Lens	1
12	731-05129	Hood Plenum	1
13	732-04281A	Latch Spring	1
14	783-05028	Hood Pivot Rod	1
15	747-04494	Hood Latch Rod	1
16	747-1323A	Rod,.250 Dia. x 4.55	1
17	683-04218	Bumper	1
18	783-05029	Hood Hinge Bracket	1
19	783-04848	Latch Plate	1
20	783-04717A	Latch Pivot Bracket	1
21	710-0607	Screw, 5/16-18 x.50	4
22	731-05291	Vinyl Strip, 2.5"	1
23	725-0963	Miniature Lamp, 12V	2
24	725-1649	Lamp Socket	2
25	731-05368	Cap, Bumper	4
—	629-04142A	Headlight Harness	1

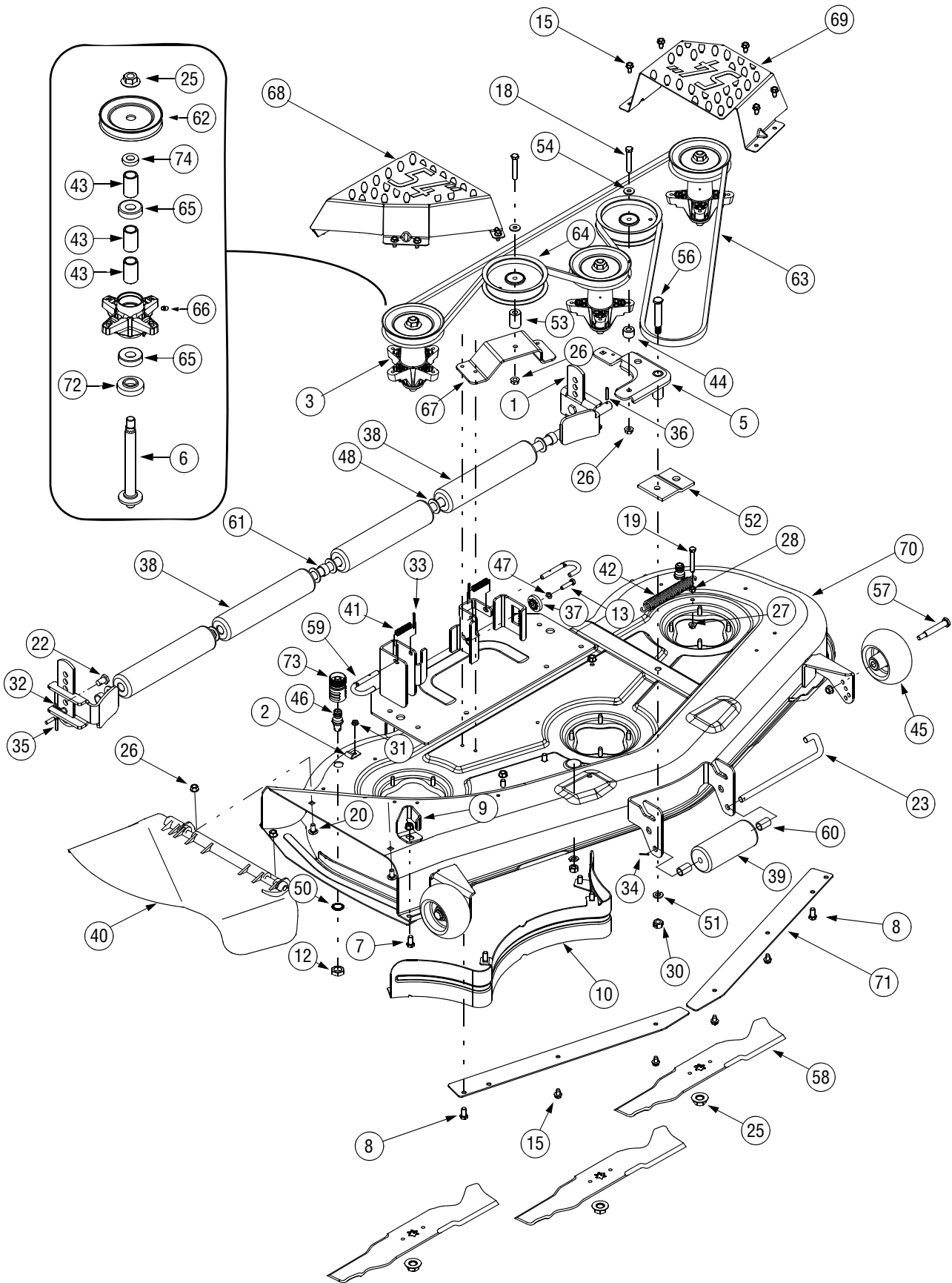
# DASH PANEL



## DASH PANEL

REF. NO.	PART NUMBER	DESCRIPTION	QTY.
1	710-0351	Screw, #10-18 x.5	1
2	710-0192	Screw, #10-24 x.375	2
3	710-0599	Screw, Self-tapping, 1/4-20, 0.500	6
4	710-0642	Screw, Hex. 1/4-20 x.75	3
5	736-0362	Flat Washer,.330 x 1.25 x.06	2
6	710-04666	Screw, Hex Flange, 1/4-20,.75,	1
7	710-0726	Screw, Hex, 5/16-12 x.75	12
8	710-0895	Screw, 1/4-15, 0.750	2
9	710-1611B	Screw, Torx Hd. Tapp. 5/16-18 x.75	4
10	710-3217	Screw, Machine, #8-32, 0.375, Trus Phillips	1
11	712-0142	Nut, 8-32	1
12	712-0324	Nut, Nylon Lock, 1/4-20	1
13	747-04215	Hold-down Rod, Battery	1
14	746-04352	Control, Throttle, 38.0	1
15	714-0104	Internal Cotter Pin,.072 x 1.13	1
16	710-04187	Screw, 1/4-15 x.50	1
17	731-05077B	Dash	1
18	731-04294A	Lever, Dash, Cruise	1
19	731-04293A	Lever, Dash, Brake	1
20	731-3161A	Knob, Throttle Control	1
21	683-04232	Dash Support, RH	1
22	710-04471	Ball Screw, 5/16-18 x.48	2
23	725-2054	Ignition Key, Plastic	2
24	683-04231	Dash Support, LH	1
25	746-04120	Control, Choke	1
26	747-1323A	Rod,.250 Dia x 4.25	1
27	783-04475	Bracket, Steering Support	1
28	783-04506C	Plate, Dash Support	1
29	741-0587	Steering Column Bearing	1
30	725-04022A	Monitor, Systems Indicator / Hour Meter	1
31	783-1447C	Bracket, Support, Battery	1
32	712-3004A	Flange Lock Nut,5/16-18	2
33	727-04142	Gas Spring Cylinder, 3.62 Stroke	2
34	783-1499	Bracket, Rod, Dash	1
35	725-1750A	Battery, 235 CCA	1
36	712-0271	Nut, Sems, 1/4-20	1
37	725-04227	Switch Module, Ignition	1
38	725-04175	Switch, PTO, Yellow	1
39	736-0173	Flat Washer,.28 x.74 x.063	2
40	725-1426A	Solenoid, 12V, 100 Amp	1
41	736-0222	Washer, External Lock, 1/4	2
42	710-0607	Screw, Hex, 5/16-12 x .50	2
—	725-2003	Power Receptacle, 12 V	1
—	725-04405	Wire Harness	1

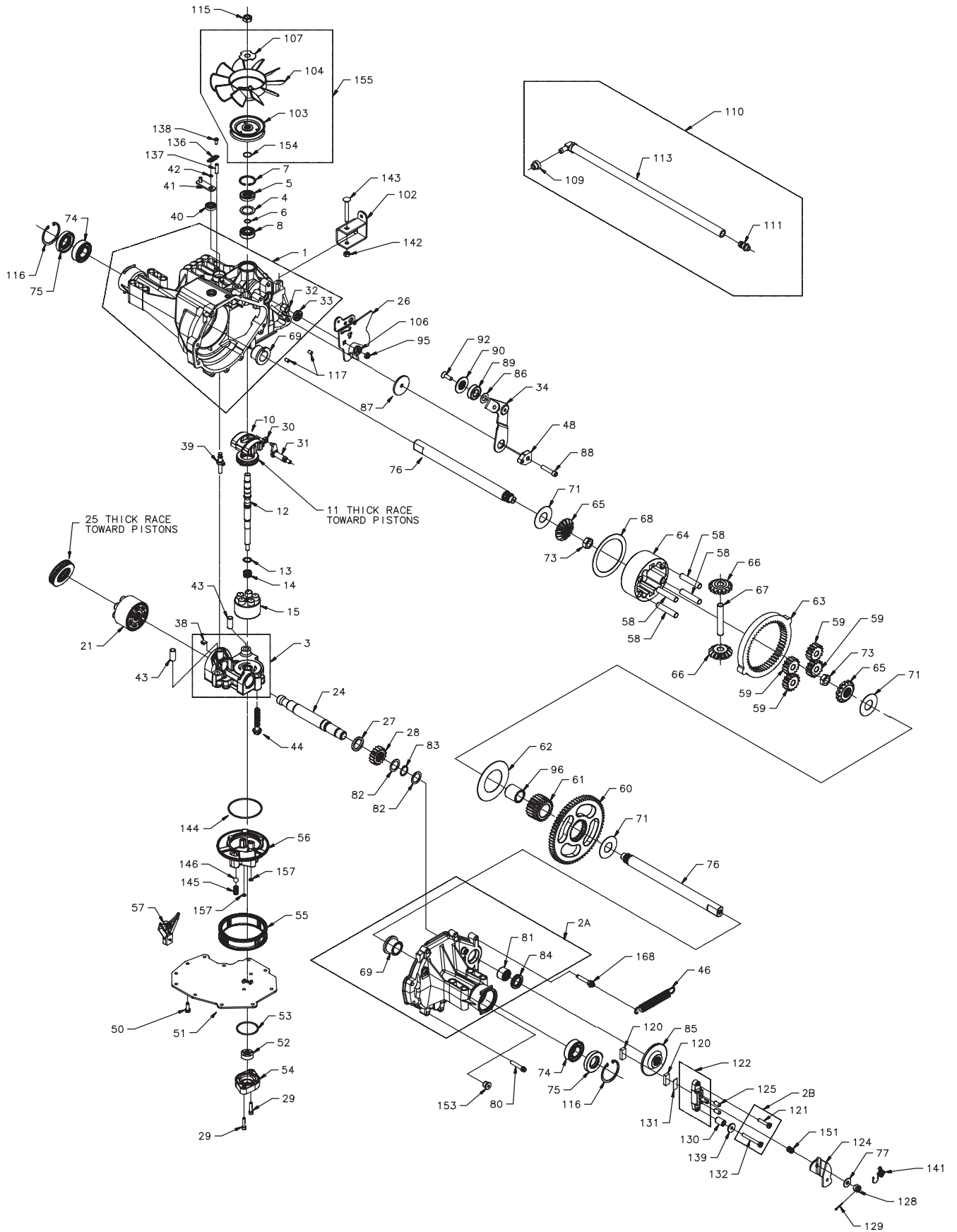
# 54-INCH MOWER DECK



## 54-INCH MOWER DECK

REF. NO.	PART NO.	DESCRIPTION	REF. NO.	PART NO.	DESCRIPTION
1	12650	Bracket, Adjustment, Height	38	731-0335	Roller, Deck
2	16606	Bracket, Hook, Retainer	39	731-3005	Front Roller
3	618-0671B	Spindle Assembly, Pulley, 5.39 Dia.	40	631-04070	Deflector Assembly, Chute
4	683-0254B	Bracket Assembly, Deck, Hanger LH	41	732-0306	Spring, Compression, .406 x .531 x 1.75
5	683-0459	Idler Assembly, 54"	42	732-0459C	Spring, Extension, .94 Dia x 6.74
6	738-1197	Shaft, Spindle, 6.95	43	750-1000	Spacer, .800 x 1.10 x 1.322
7	710-04095	Hex Screw, 3/8-16, 1.00	44	750-0933	Spacer, .385 x .88 x .64
8	710-0216	Hex Screw, 3/8-16, .75	45	734-04155	Deck Wheel, 5" Dia.
9	703-3279	Stop Assembly, Chute	46	737-04003C	Water Port
10	703-2093	Baffle	47	736-0119	Washer, Lock, 5/16, Regular Duty
11	703-2392	Bracket	48	736-0134	Flat Washer, .812 ID x 1.38 OD x .1
12	712-0641	Hex Nut, M-16 x 1.5	49	736-0171	Washer, Lock, 7/16, Regular Duty
13	710-0528	Hex Screw, 5/16-18, 1.25, Gr5,	50	736-0225	Lock Washer, 5/8
14	710-0602	Screw, Self-tapping, 5/16-18, 1.000	51	736-0921	Washer, Lock, 1/2, Regular Duty
15	710-0607	Screw, Self-tapping, 5/16-18, 0.50	52	783-04013A	Pulley Stabilizer Bracket
16	710-0751	Hex Screw, 1/4-20, .620, Gr5,	53	750-04597	Spacer, .380 x .90 x 1.313
17	710-1644	Screw, Carriage, 3/8-16, Gr5, 5.00	54	736-3072	Washer, Flat .38 ID x .93 OD x .110
18	710-3011	Hex Screw, 3/8-16, 2.25, Gr5,	55	738-0295	Shoulder Screw, .750 x .47.12
19	710-3073	Hex Screw, 5/16-18, 2.25, Gr5,	56	738-1229	Shoulder Screw, 5/8 Dia x 2.50
20	710-3168	Bolt, Carriage, 3/8-16 x 1.0	57	738-3056	Shoulder Screw, 1/2 Dia x 2.50
21	710-3178	Short Neck Carriage Bolt 3/8-16 x .75	58	742-0677A	Blade, 18.50"
22	711-0332	Pin, Clevis, .50 Dia x .78	59	747-1116	Deck Release Handle Rod, .375 Dia
23	711-1737	Pin, Roller, .5" Dia x 10.06 .	60	750-0151	Spacer .550 ID x .755 OD x 1.1
24	711-1762	Pin, Hinge, Dia .375 x 14.06	61	750-0212	Spacer, .82 ID x 1.00 OD x .53
25	712-0417A	Nut, Hex Flange, 5/8-18	62	756-04216	Pulley, 5.39"
26	712-04065	Nut, Flange Lock, 3/8-16	63	754-0642	Belt, V-Type, B Section
27	712-04063	Nut, Flange Lock, 5/16-18, Gr5	64	756-04129	Pulley, Idler, 4.25 Dia.
28	712-3010	Nut, Hex, 5/16-18, Gr5	65	741-0919	Ball Bearing, .787 x 1.85 x .551
29	712-3019	Nut, Hex, 7/16-14, Gr2	66	737-3000	Lube Fitting, 3/16
30	712-3022	Nut, Hex Lock, 1/2-13	67	783-04726	Bracket, Stationary Idler
31	712-3027	Lock Nut, 1/4-20, Hex Flange	68	783-1470A	Cover, Spindle RH
32	714-0145	Pin, Click, .092 x 1.64	69	783-1471	Cover, Spindle LH
33	714-0470	Pin, Cotter, 1/8 x 1.25	70	683-04113A	Deck Shell Assembly, 54"
34	714-3004	Pin, Cotter, 3/32 x 1.25	71	783-04690A	Skirt, Deck
35	715-0108	Pin, Sprg, 1/4 Dia x 1.00	72	750-1349A	Spacer, 79 x 1.84 x .55
36	715-0246	Pin, Spring, 3/16 x 1.25	73	721-04041	Hose Coupler
37	717-04074	Adjustment, Deck, Gear	74	748-0160A	Spacer, .790 x 1.25 x .175

# HYDROSTATIC TRANSMISSION

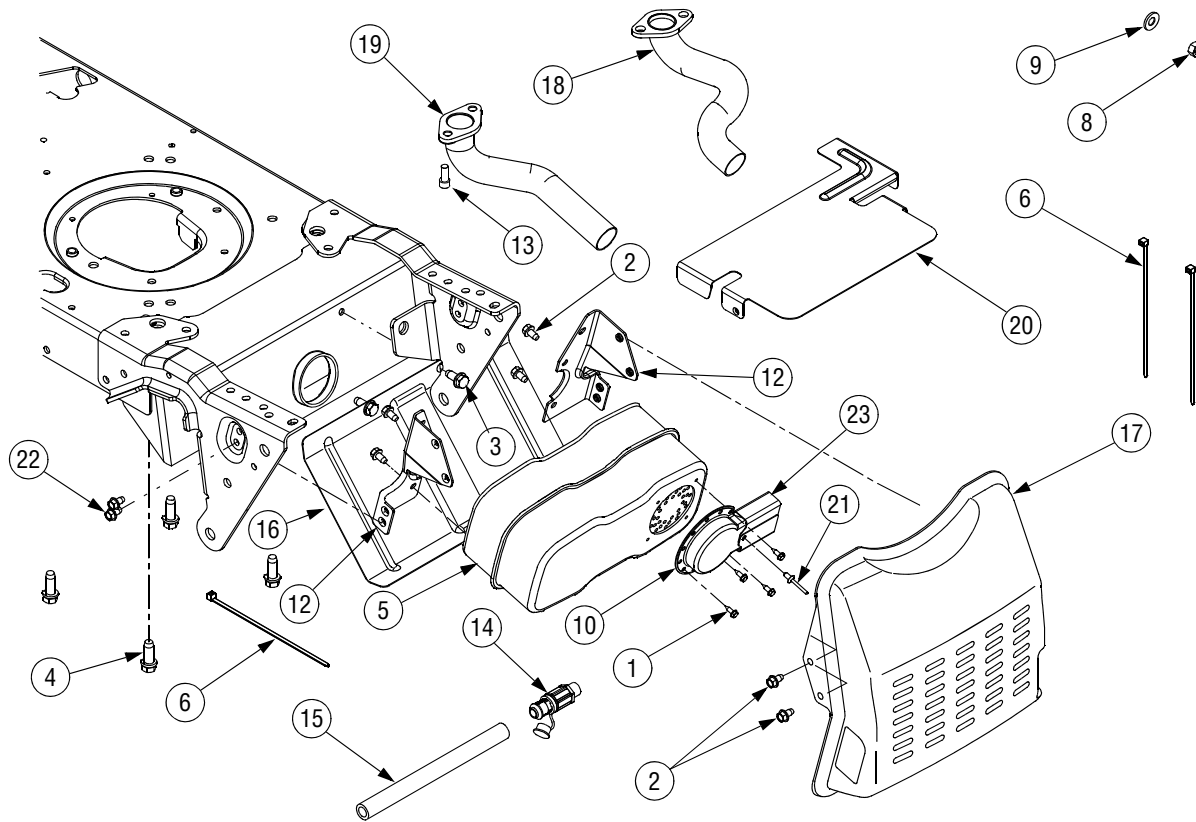


## HYDROSTATIC TRANSMISSION

ITEM#	PART #	QTY	DESCRIPTION	ITEM#	PART #	QTY	DESCRIPTION
1	70297	1	ASSEMBLY, MAIN HOUSING	67	50766	1	SHAFT, DIFFERENTIAL
		1	HOUSING, MAIN	68	50767	1	WASHER, THRUST 3.46 X 4.39 X .05
		1	SEAL, LIP 12 X 25 X 7	69	50768	2	BEARING, FLANGE 1.0 X 1.376 X .99
		1	BEARING, FLANGE 1.0 X 1.376 X .99	71	50788	3	WASHER 1.0 X 2.25 X .04
		1	BEARING, TRUNNION	73	50791	2	NUT, HEX 5/8-18 W/ PATCH
		2	BEARING, CRADLE	74	50771	2	BEARING, BALL 25.4 X 52 X 15
2A	71120	1	ASSEMBLY, RIGHT HAND HOUSING	75	50772	2	SEAL, LIP 1.0 X 2.049 X .375
		1	HOUSING, RIGHT HAND	76	52339	2	SHAFT, AXLE 1 X 12.69 (DD)
		1	BEARING, FLANGE 1.0 X 1.376 X .99	77	44130	1	WASHER .34 X .88 X .06
		1	NEEDLE BEARING .875 X 1.125 X 1.5	79	50928	10.1oz	SEALANT
		1	SEAL, LIP .875 X 1.375 X .250	80	50868	8	SCREW, TORX HD 5/16-18 X 1.5
2B	71139	1	KIT, BRAKE BOLT	81	44752	1	BEARING, NEEDLE .875 X 1.125 X 1.5
		1	BOLT, HEX HD 1/4-20 X 1.25 W/PATCH	82	50777	2	WASHER, FLAT .88 X 1.25 X .04
		1	BOLT, HEX HD 1/4-20 X 2.25 W/PATCH	83	50775	1	RING, RETAINING
3	70683	1	ASSEMBLY, CENTER SECTION	84	50773	1	SEAL, LIP .875 X 1.375 X .250
		1	CENTER SECTION	85	50779	1	DISK, BRAKE
		1	BEARING, JOURNAL .50 X .59 X .50	86	50132	1	WASHER, .51 X 1.0 X .03
		1	BEARING, .90 X 1.0 X .75	87	50836	1	SPACER, .32 X 1.96 X .15
		1	PLATE, BYPASS	88	50837	1	SCREW, SOCKET HD CAP 5/16-24 X 1.5
		2	CHECK PLUG ASSEMBLY, .027 BLEED	89	44147	1	BEARING, BALL .62 X 1.38 X .44
4	2003018	1	SPACER, .98 X 1.37 X .04	90	51200	1	SPACER, LOCATING
5	9008000-0128	1	SEAL, LIP 15 X 35 X 7	92	50870	1	SCREW, COUNTERSUNK 5/16-18 X 1.0
6	2003016	1	RING, RETAINING	95	50108	1	NUT, HEX LOCK 5/16-24
7	2003052	1	RING, RETAINING	96	50866	1	BUSHING, SLEEVE 1.0 X 1.3 X 1.34
8	2003043	1	BEARING, BALL .59 X 1.38 X .43	97		121.6oz	OIL, 20W50
10	2003087	1	SWASHPLATE, VARIABLE	102	50813	1	BRACKET, TORQUE
11	50551	1	BEARING, THRUST 30 X 52 X 13	103	50818	1	PULLEY, 3.6 IN
12	50795	1	SHAFT, INPUT (STD CHARGE)	104	51862	1	FAN, 7.0 IN (10 BLADE)
13	2003017	1	WASHER, THRUST .59 X .79 X .04	106	51604	1	SPACER, TRUNNION
14	2003014	1	SPRING, BLOCK	107	51523	1	WASHER, OD SLOTTED 53 X 1.63 X .06
15	70331	1	ASSEMBLY, BLOCK	109	50133	1	BUSHING, VENT (RUBBER)
		1	BLOCK, CYLINDER	110	70302	1	KIT, FITTING
		5	PISTON			1	BUSHING, VENT (RUBBER)
		5	SPRING, COMPRESSION			1	ASSEMBLY, CAP-VENT
		5	WASHER, THRUST			1	KIT, 90° FITTING & HOSE ASS'Y
21	70082	1	ASSEMBLY, BLOCK	111	70109	1	ASSEMBLT, CAP-VENT
		1	BLOCK, CYLINDER			1	CAP, VENT
		7	PISTON			1	VENT, PLASTIC
		7	SPRING, COMPRESSION	113	70301	1	KIT, 90° FITTING & HOSE ASS'Y
		7	WASHER, THRUST			1	FITTING, 90° METAL VENT
24	50662	1	SHAFT, MOTOR			1	CLAMP, PINCH
25	50552	1	BEARING, THRUST 42 X 68 X 16			1	HOSE, 0.5 X 20
26	51125	1	ARM, CONTROL	115	44133	1	NUT, HEX 1/2-20 W/ PATCH
27	50774	1	SPACER, 1.03 X 1.38 X .184	116	50859	2	RING, RETAINING
28	50661	1	GEAR, 16T PINION	117	9004800-2506	2	PIN, STANDARD HEADLESS
29	50975	2	SCREW, CAP M6 X 1 X 25	120	44132	2	PUCK, BRAKE
30	2000015	1	GUIDE, SLOT	121	51927	1	BOLT, HEX HD 1/4-20 X 1.25 W/PATCH
31	50807	1	ARM, TRUNNION TAPERED SQUARE	122	70633	1	ASSEMBLY, BRAKE YOKE
32	2003009	1	BEARING, TRUNNION	124	50936	1	ARM, BRAKE
33	9008000-0126	1	SEAL, LIP 12 X 25 X 7	125	44127	2	PIN, BRAKE ACTUATING
34	51127	1	ARM, RETURN	128	44142	1	NUT, CASTLE 5/16-24
38	70680	1	KIT, BYPASS PLATE	129	44101	1	PIN, COTTER 3/32 X 3/4
39	2003555	1	ACTUATOR, BYPASS	130	23711	1	SPACER, .26 X .57 X .87
40	45074	1	SEAL, LIP 10 X 25 X 7	131	44134	1	PLATE, PUCK
41	50270	1	ARM, BYPASS	132	51928	1	BOLT, HEX HD 1/4-20 X 2.25 W/PATCH
42	44870	1	RING, RETAINING	136	50384	1	SPRING, BYPASS 1.33 IN EXTENSION
43	50002	2	PIN, HOLLOW .39 X .50 X 1.12	137	50882	1	PIN, SPRING .26 X 1
44	50016	3	SCREW, HEX FLANGE 3/8-24 X 2.5	138	50653	1	BOLT, SELF TAPPING 10-32 X .5
46	51153	1	SPRING, 5 IN RETURN (MEDIUM)	139	44278	1	WASHER, .27 X .88 X .12
48	51097	1	PUCK, ADJUSTING	141	50884	1	SPRING, BRAKE ARM BIAS
50	50752	11	SCREW, HEX FLANGE 1/4-20 X .75	142	43064	1	NUT, HEX LOCK 5/16-18
51	50972	1	COVER, LOWER W/ 2 KIDNEYS	143	50886	1	BOLT, 5/16-18 X 2.5
52	50273	1	GEROTOR	144	50974	1	O-RING, 2.987 X 3.09
53	9004101-1340	1	O-RING, 1.862 X 2.068	145	51157	1	SPRING, RELIEF
54	50260	1	HOUSING, CHARGE PUMP	146	9001214-4400	1	BALL, 7/16 IN
55	70538	1	KIT, FILTER	151	50919	1	SPRING, COMP. BRAKE ANTI-Drag
		2	GASKET, 4.24 X 4.40 X .10	153	9005110-5600	1	PLUG, 9/16-18 (METAL)
		1	FILTER, STD CHARGE	154	50920	1	RING, RETAINING
56	51156	1	MANIFOLD, CHARGE	155	70311	1	KIT, FAN/PULLEY
57	50796	1	RETAINER, MOTOR BEARING			1	NUT, HEX 1/2-20 W/ PATCH
58	50776	4	PIN, CARRIER			1	WASHER, O.D SLOTTED .53 X 1.63 X .06
59	50763	4	GEAR, 15T PLANET			1	FAN 7.0 IN (10 BLADE)
60	50646	1	GEAR, 67T SPUR			1	PULLEY, 3.6 IN
61	50645	1	GEAR, 21T SUN			1	RING, RETAINING
62	50769	1	WASHER, THRUST 2.32 X 4.10 X .05	157	50977	2	O-RING, .239 X .379
63	50764	1	GEAR, 51T RING	168	51151	1	SCREW, TORX HD SHOULDERED 5/16-18 X 1.81
64	50765	1	CARRIER, PLANETARY	203	70492	1	KIT, SEAL & O-RING
65	50647	2	GEAR, 14T MITER (SPLINED)			1	SEAL, LIP 15 X 35 X 7
66	50648	2	GEAR, 14T MITER (UNSPLINED)			1	SEAL, LIP 12 X 25 X 7
						1	SEAL, LIP 10 X 25 X 7
						1	O-RING, 1.862 X 2.068
						2	SEAL, LIP 1.0 X 2.049 X .375
						1	SEAL, LIP .875 X 1.375 X .250
						1	PIN, SPRING .26 X 1
						1	KIT, MANIFOLD O-RING
						2	O-RING, .239 X .379

NOTE: Include a HG- prefix when ordering replacement transmission parts (i.e. HG-70467).

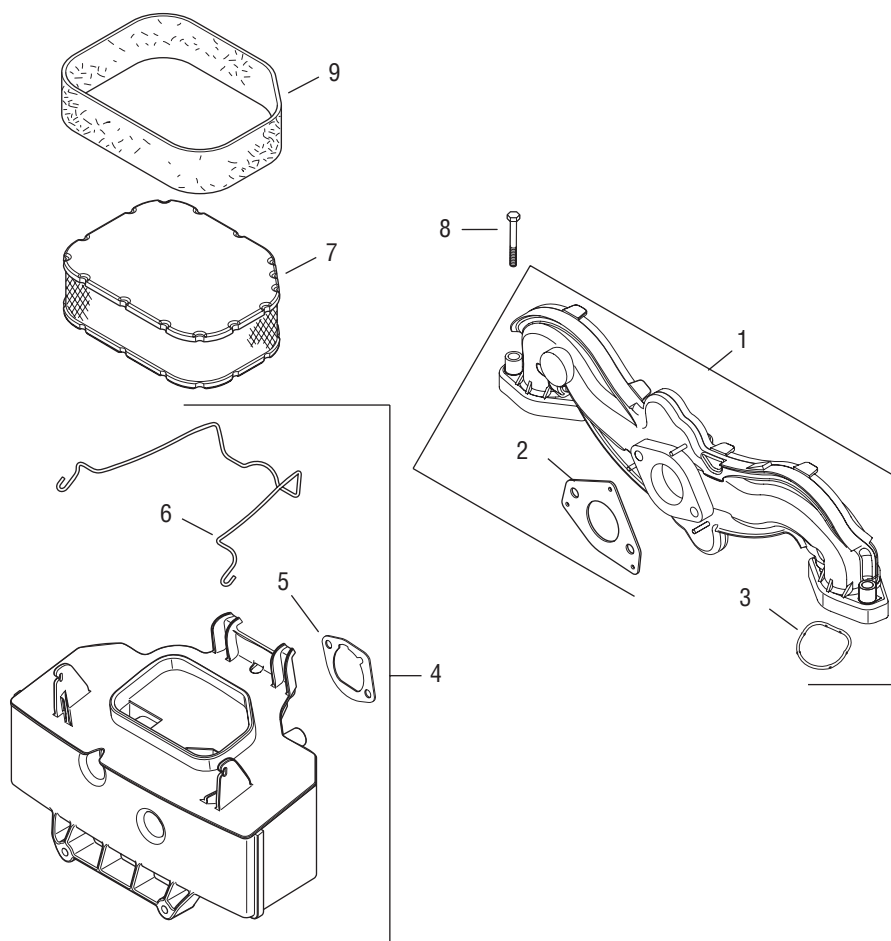
## ENGINE ACCESSORIES



REF. NO.	PART NUMBER	DESCRIPTION	QTY.
1	710-0227	Screw, #8-18, 0.500	4
2	710-0599	Screw, Hex, 1/4-20, 0.500	8
3	710-0604A	Screw, Hex, 5/16-18 x .625	2
4	710-1315	Screw, Hex, 3/8-16 x 1.25	4
5	751-0805	Muffler, Dual Inlet	1
6	725-0157	Cable, Tie, 3/16 x .05 x 7.4	2
7	712-3004A	Nut, Flange Lock, 5/16-18	2
8	712-3005	Hex Flange Nut, 3/8-16	1
9	736-0300	Lock Washer, .406 x .875 x .059	1
10	751-0564A	Deflector, Muffler	1
11	783-04573	Muffler Bracket, LH	1
12	783-04574	Muffler Bracket, RH	1
13	710-1314A	Screw, 5/16-18, 0.75	4
14	751-10517	Drain, Oil	1
15	751-3141	Extension Hose, Oil Drain	1
16	783-05410	Heat Shield, Lower	1
17	783-04256	Shield, Muffler	1
18	751-10007	Pipe, Exhaust, LH	1
19	751-10006	Pipe, Exhaust, RH	1
20	783-04783	Heat Shield, Upper	1
21	728-04000	Rivet, Pop, .188 x .325	1
22	710-0642	Screw, Hex, 1/4-20, 0.750	4
23	751-10353	Extension, Deflector	1

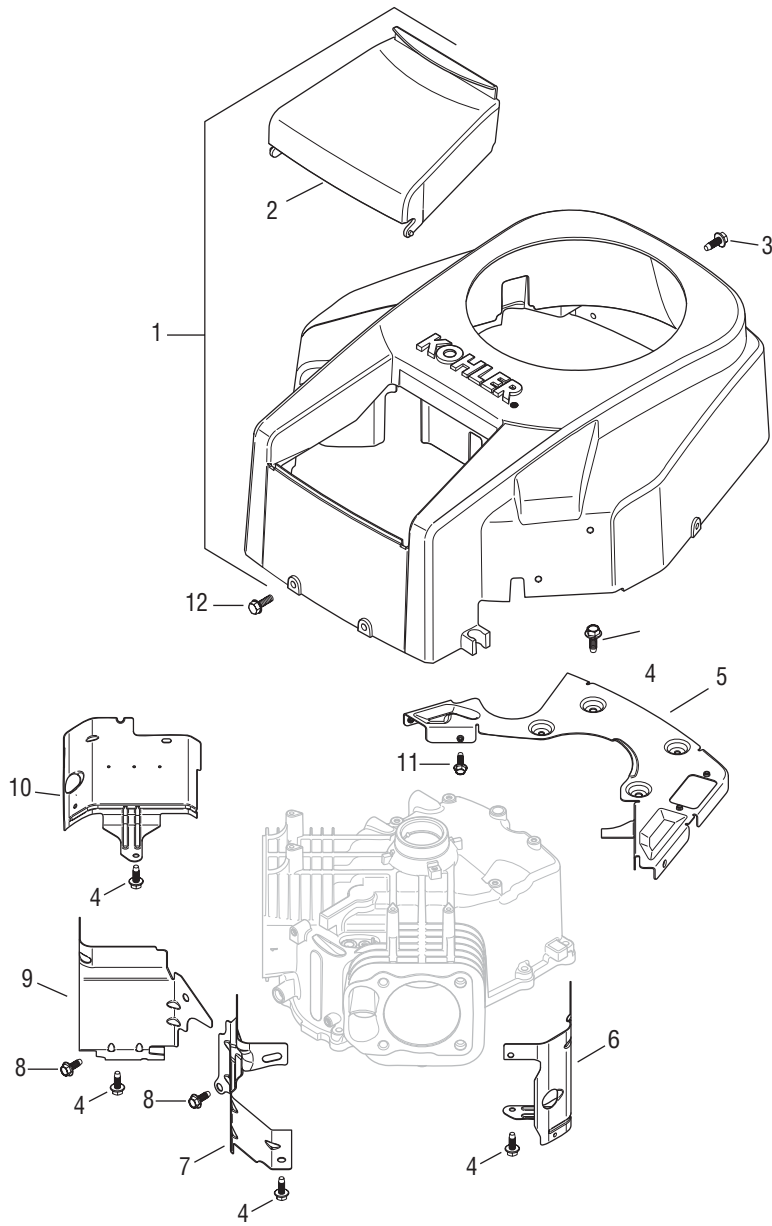


## ENGINE — AIR INTAKE/FILTRATION



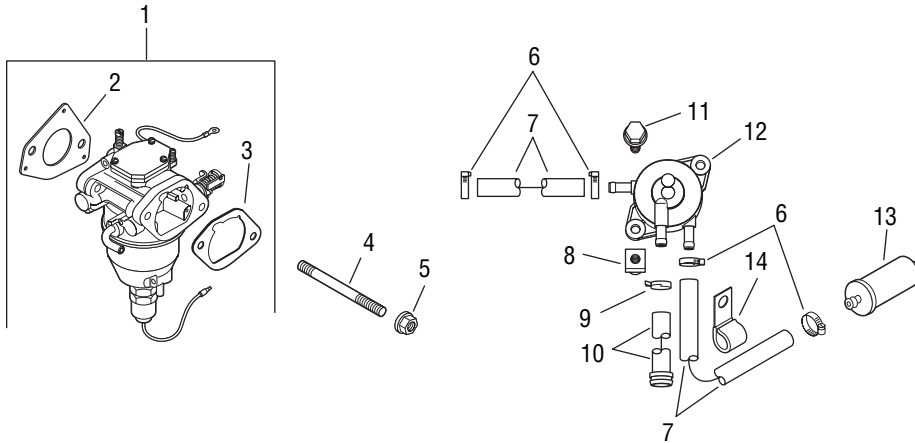
REF. NO.	PART NUMBER	DESCRIPTION	QTY.
1	KH-24-164-51-S	Manifold, intake (Includes 2,3)	1
2	KH-24-041-52-S	Gasket, carburetor	1
3	KH-24-153-27-S	O-Ring, intake port	2
4	KH-32-094-03-S	Base, air cleaner (Includes 5,6)	1
5	KH-24-041-14	Gasket, air cleaner base	1
6	KH-32-344-02-S	Latch, air cleaner element	1
7	KH-32-083-03-S	Element, air cleaner	1
8	KH-M-651040-S	Screw, hex. flange M6x1.0x40	4
9	KH-32-083-05-S	Pre-cleaner, element	1

## ENGINE— BLOWER HOUSING & BAFFLES



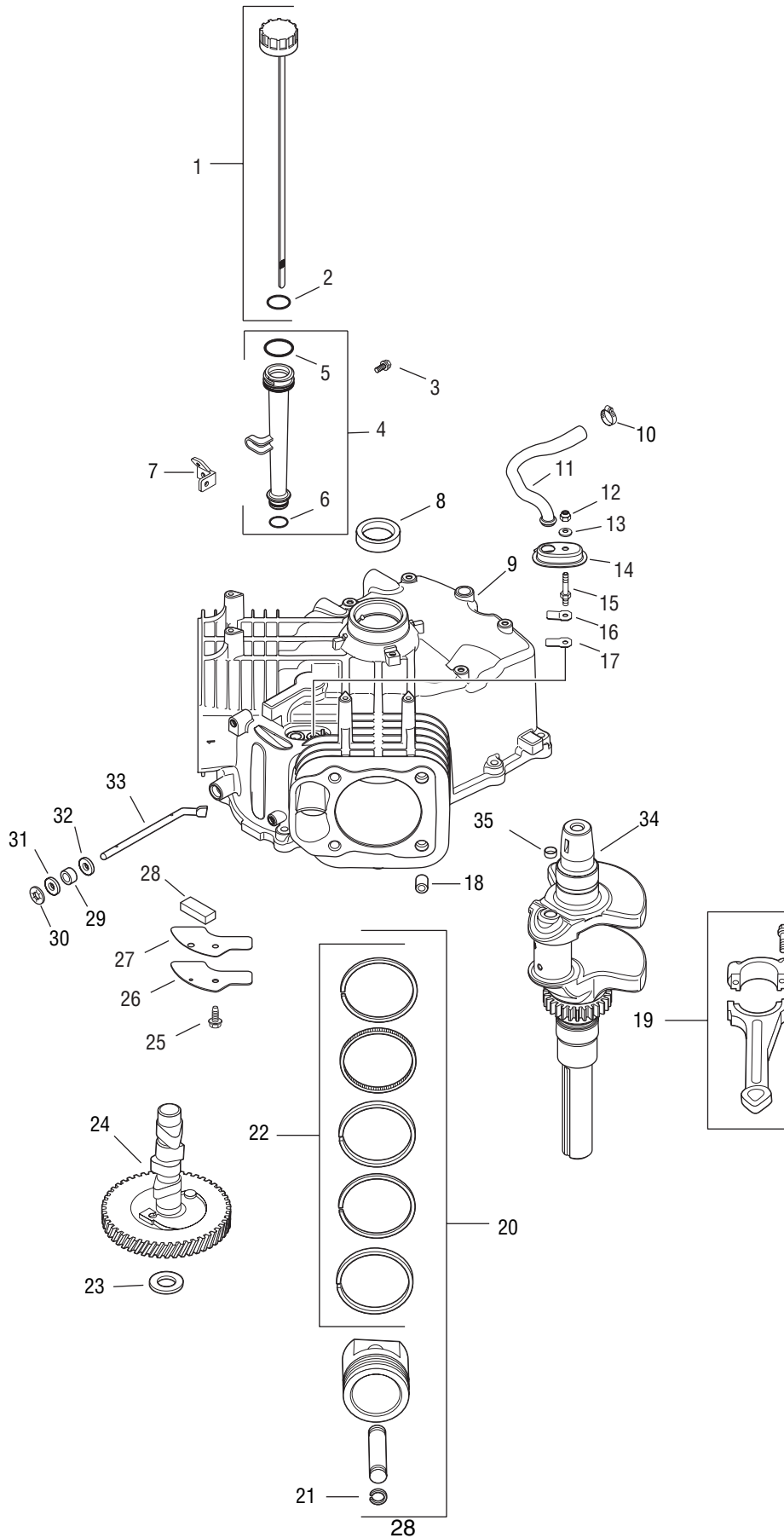
REF. NO.	PART NUMBER	DESCRIPTION	QTY.
1	KH-32 027 03-S	Housing, blower (Includes 2, KH-41-037-10-S)	1
2	KH-32 096 08-S	Cover, air cleaner	1
3	KH-M-545016-S	Screw, hex. flange M5x0.8x16	4
4	KH-M-645016-S	Screw, hex. flange M6x1.0x16	8
5	KH-32 146 05-S	Plate, backing w/rectifier-regulator opening	1
6	KH-32 063 05-S	Baffle, cylinder barrel - #2 side	1
7	KH-32 063 02-S	Baffle, valley - #2 side	1
8	KH-M-0545010	Screw, hex. flange M5x0.8x10	4
9	KH-32 063 03-S	Baffle, valley - #1 side	1
10	KH-32 063 04-S	Baffle, cylinder barrel-#1 side	1
11	KH-M-545020-S	Screw, hex. flange M5x0.8x20	2
12	KH-24 086 12	Screw, hex. cap M6x1.7x18	2

## ENGINE — FUEL SYSTEM



REF. NO.	PART NUMBER	DESCRIPTION	QTY.
1	KH-32-853-04-S	Kit, carburetor w/gaskets (Includes 2,3)	1
2	KH-24-041-52-S	Gasket, carburetor	1
3	KH-24-041-14	Gasket, air cleaner base	1
4	KH-M-629105-S	Stud, carburetor	2
5	KH-M-641060-S	Nut, hex. flange M6x1.0	2
6	KH-25-237-14-S	Clamp, hose	4
7	KH-25-111-34-S	Line, fuel (Fuel line comes in lengths of 24" - Cut to needed length for carburetor connections.)	2
8	KH-24-100-01	Nut, plastic	2
9	KH-25-237-01-S	Clamp, hose	1
10	KH-32-326-02-S	Hose, fuel pump	1
11	KH-24-086-12	Screw, hex. cap M6x1.7x18	2
12	KH-24-393-16	Pump, pulse fuel	1
13	KH-25-050-22-S	Filter, fuel	1
14	KH-47-154-01-S	Clip, cable	1
		<b>NOT ILLUSTRATED</b>	
	KH-24-757-36-S	Kit, service choke repair	1
	KH-24-757-38-S	Kit, service gasket repair	1
	KH-24-757-44-S	Kit, float w/gaskets	1
	KH-24-757-45-S	Kit, solenoid valve w/gaskets	1
	KH-24-757-46-S	Kit, overhaul w/gaskets	1

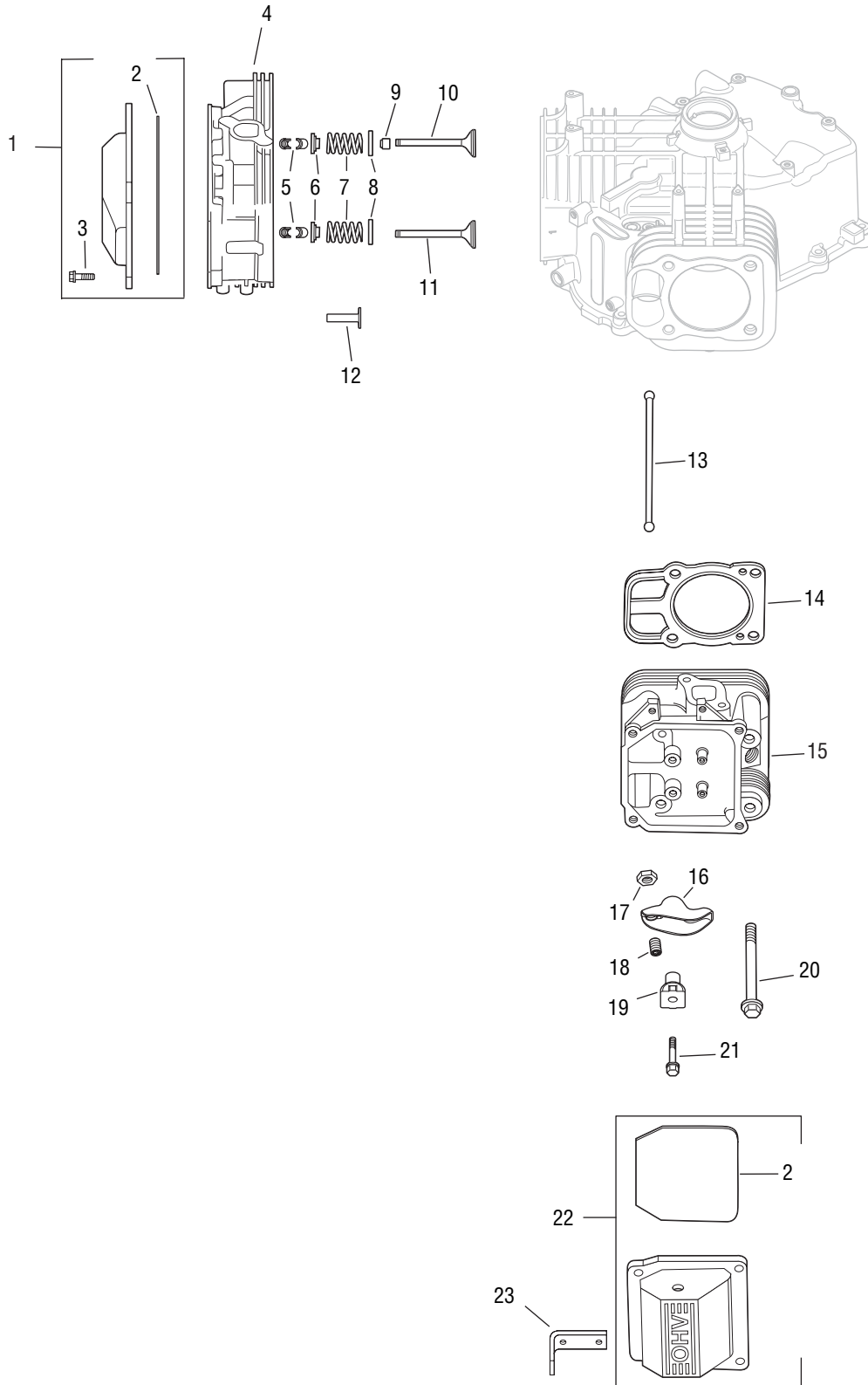
# ENGINE—CRANKCASE



## ENGINE— CRANKCASE

REF. NO.	PART NUMBER	DESCRIPTION	QTY.
1	KH-32-038-01-S	Kit, dipstick (Includes 2)	1
2	KH-12-153-03	O-Ring	1
3	KH-M-545016-S	Screw, hex. flange thread forming	1
4	KH-12-123-04	Tube, oil fill (Includes 5,6)	1
5	KH-12-153-02-S	O-Ring, upper oil fill tube	1
6	KH-12-153-01-S	O-Ring, lower oil fill tube	1
7	KH-24-126-19	Bracket, oil fill tube	1
8	KH-24-032-01-S	Seal, oil	1
9		Crankcase (USE: Miniblock KH-32-782-01)	1
10	KH-25-237-14-S	Clamp, hose	1
11	KH-32-326-04-S	Hose, breather	1
12	KH-M-547050-S	Nut, hex. lock M5x0.8	1
13	KH-32-468-01-S	Washer, sealing	1
14	KH-32-081-02-S	Housing, breather	1
15	KH-32-072-02-S	Stud, breather cover	2
16	KH-24-018-04	Retainer, breather reed	2
17	KH-24-402-05-S	Reed, breather	2
18	KH-24-380-16-S	Pin, locating	6
19	KH-24-067-13-S	Connecting Rod (Std.)	2
20	KH-32-874-06-S	Piston w/Ring Set (Std.) (Includes 20,21)	2
21	TBD	Piston w/Ring Set (.25)	2
21	KH-24-018-01	Retainer, piston pin	4
22	KH-24-108-05-S	Ring Set (Std.)	2
22	KH-24-108-06-S	Ring Set (.25)	2
23	KH-12-422-10	Shim, camshaft (yellow)	A.R.
23	KH-12-422-09	Shim, camshaft (red)	A.R.
23	KH-12-422-13	Shim, camshaft (black)	A.R.
23	KH-12-422-07	Shim, camshaft (white)	A.R.
23	KH-12-422-08	Shim, camshaft (blue)	A.R.
23	KH-12-422-11	Shim, camshaft (green)	A.R.
23	KH-12-422-12	Shim, camshaft (gray)	A.R.
24	KH-32-012-01-S	Kit, camshaft	1
25	KH-M-645016-S	Screw, hex. flange thread forming	1
26	KH-32-096-04-S	Cover, breather	1
27	KH-32-041-01-S	Gasket, breather cover	1
28	KH-32-050-01-S	Filter, breather	1
29	KH-28-032-09-S	Seal, governor cross shaft	1
30	KH-24-018-09-S	Ring, retainer	1
31	KH-M-931010-S	Washer, plain 8 mm	1
32	KH-24-468-15-S	Washer, flat 1/4"	1
33	KH-24-144-38-S	Shaft, governor cross	1
34	KH-32-014-02-S	Crankshaft (Includes 2)	1
35	KH-52-139-09	Plug, cup	1

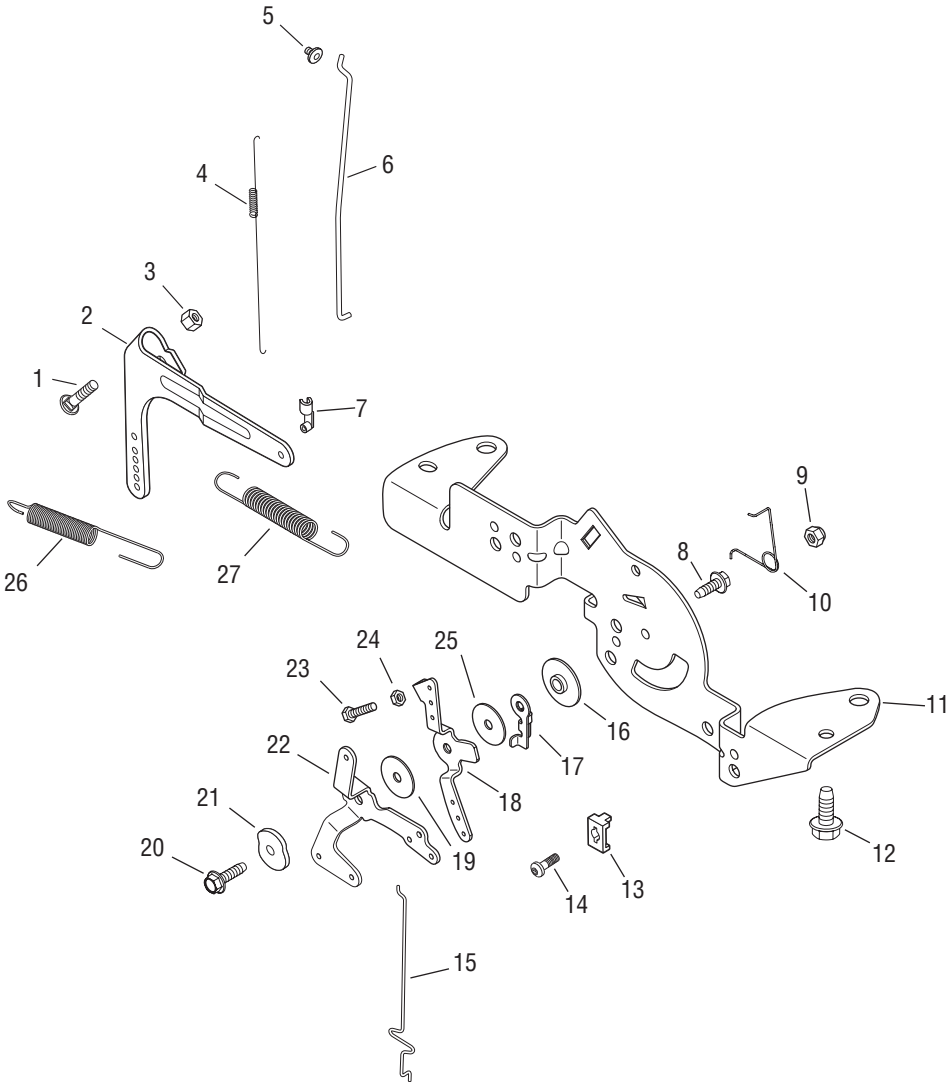
# ENGINE—CYLINDER HEAD



## ENGINE— CYLINDER HEAD

REF. NO.	PART NUMBER	DESCRIPTION	QTY.
1	KH-24-755-141-S	Kit, valve cover - plain (Includes 2,3)	1
2	KH-24-153-28-S	O-Ring	1
3	KH-M-651030-S	Screw, hex. flange M6x1.0x30	4
4	KH-32-318-01-S	Head assembly, #1 cylinder	1
5	KH-12-755-03	Kit, retainer	4
6	KH-12-173-01	Cap, valve spring	2
7	KH-24-089-02	Spring, valve	2
8	KH-235011-S	Retainer, spring	2
9	KH-66-032-05-S	Seal, valve stem	1
10	KH-24-017-01	Valve, intake (Std.)	1
	KH-24-017-02	Valve, intake (.25)	1
11	KH-24-016-01	Valve, exhaust (Std.)	1
	KH-24-016-02	Valve, exhaust (.25)	1
12	KH-32-019-01-S	Tappet	4
13	KH-32-411-02-S	Rod, push	2
14	KH-24-841-03-S	Kit, cylinder head gasket (Includes head mounting hardware & KH-24-041-49-S, KH-24-153-27-S)	2
15	KH-32-318-02-S	Head assembly, #2 cylinder	1
16	KH-32-186-02-S	Arm, rocker	2
17	KH-32-100-04-S	Nut, hex. M10x0.75	4
18	KH-32-086-03-S	Screw, set	4
19	KH-32-599-02-S	Pivot, rocker arm	2
20	KH-12-086-16	Screw, hex. flange M10x1.5x90	4
21	KH-32-086-04-S	Screw, hex. flange M6x1.0x45	4
22	KH-32-096-06-S	Kit, valve cover - breather (Includes 2)	1
23	KH-24-445-01	Strap, lifting	1
24	KH-25-072-04	Stud, M8x1.25x33	4
25	KH-24-041-49-S	Gasket, exhaust manifold	1
26	KH-M-841080	Nut, hex. flange M8x1.25	4

**ENGINE— ENGINE CONTROLS**

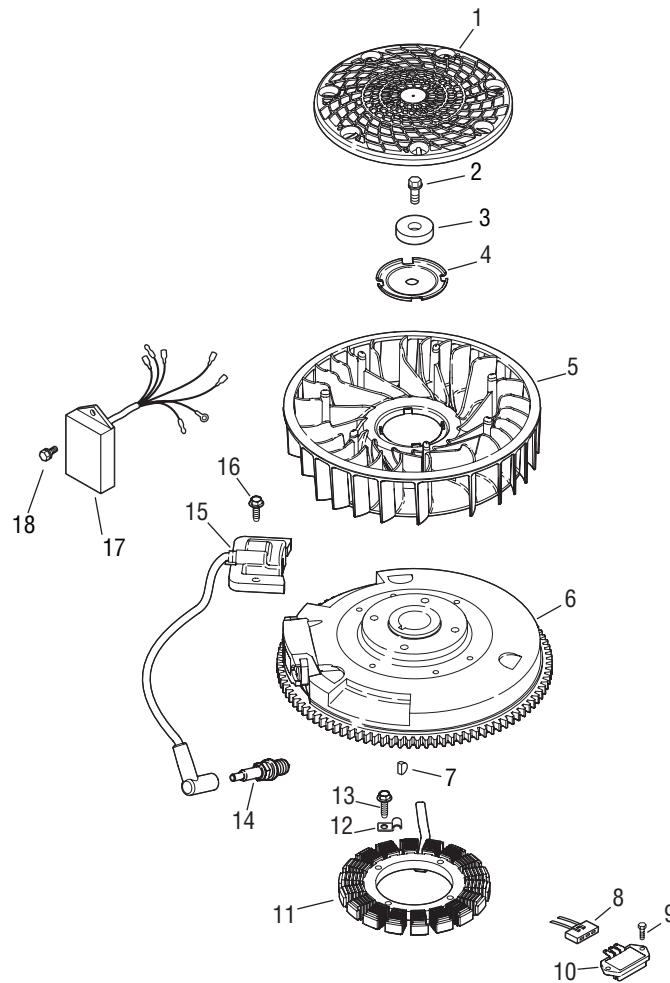




## ENGINE— ENGINE CONTROLS

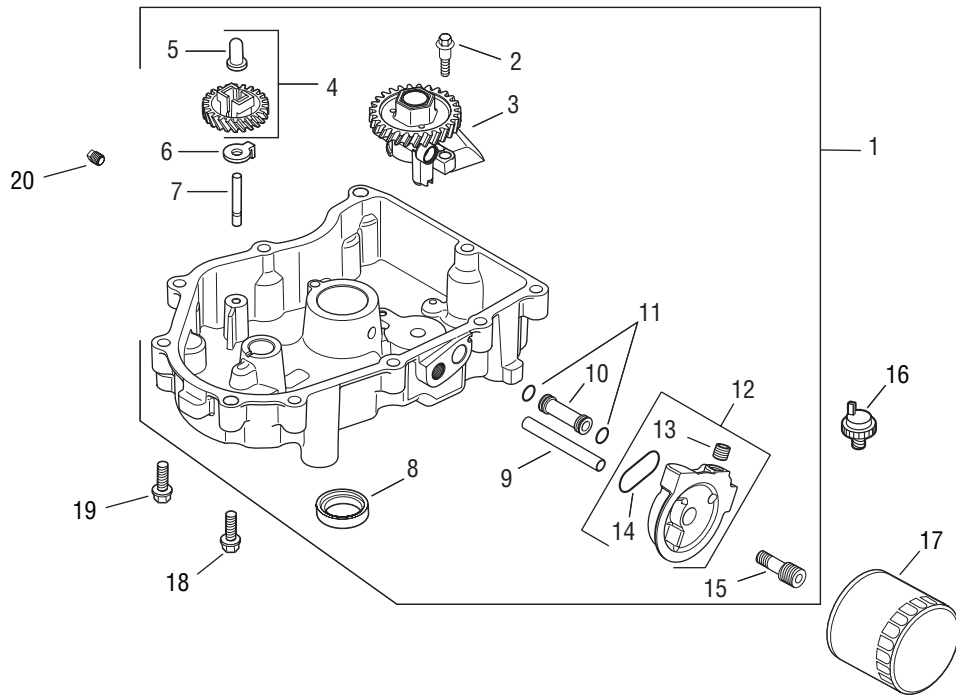
REF. NO.	PART NUMBER	DESCRIPTION	QTY.
1	KH-24-211-03-S	Bolt, round head square neck	1
2	KH-24-090-33-S	Lever, governor	1
3	KH-M-641060-S	Nut, hex. flange M6x1.0	1
4	KH-24-089-01	Spring, linkage	1
5	KH-25-158-08	Bushing, linkage retaining	1
6	KH-24-079-04	Linkage, throttle	1
7	KH-25-158-11	Bushing, throttle linkage	1
8	KH-M-545016-S	Screw, hex. flange M5x0.8x16	1
9	KH-M-547050-S	Nut, hex. lock M5x0.8	1
10	KH-24-089-03	Spring, choke return	1
11	KH-24-126-161-S	Bracket, control	1
12	KH-M-645016-S	Screw, hex. flange M6x1.0x16	4
13	KH-47-237-02	Clamp, dual conduit	1
14	KH-24-086-43-S	Screw, thread forming	1
15	KH-24-079-22-S	Linkage, choke	1
16	KH-24-112-27-S	Spacer, control assembly	1
17	KH-24-090-47-S	Lever, throttle actuator	1
18	KH-24-090-13	Lever, throttle control	1
19	KH-24-468-01	Washer, plain 5.5 mm	1
20	KH-M-545020-S	Screw, hex. flange M5x0.8x20	1
21	KH-41-468-03	Washer, spring 1/4"	1
22	KH-24-090-05	Lever, choke	1
23	KH-M-403025	Screw, hex. head cap M4x0.7x25	1
24	KH-M-446030-S	Nut, hex. M4x0.7	1
25	KH-24-468-20-S	Washer, plain	1
26	KH-24-089-25-S	Spring, governor	1
27	KH-24-089-55-S	Spring, governor	1

## ENGINE — IGNITION / ELECTRICAL



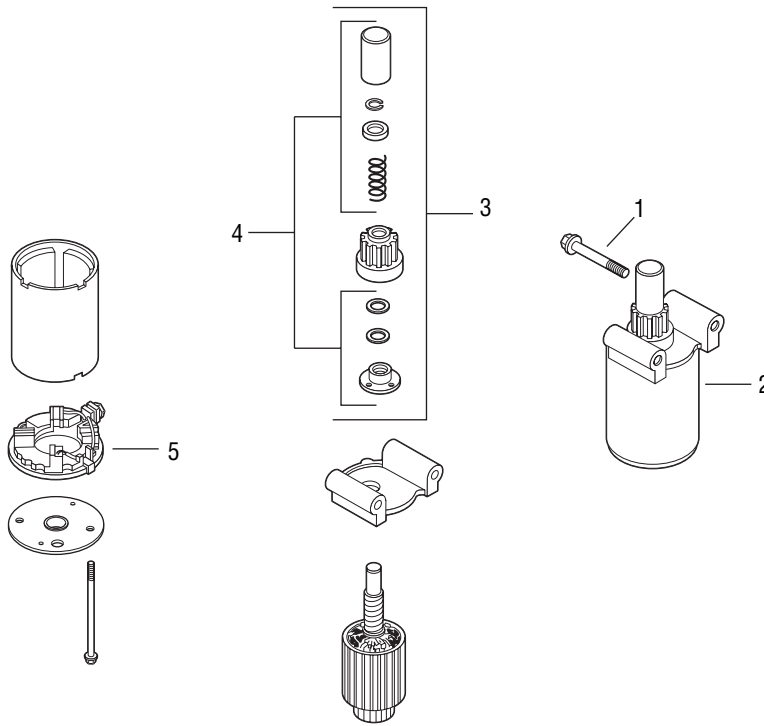
REF. NO.	PART NUMBER	DESCRIPTION	QTY.
1	KH-32 162 03-S	Screen, grass	1
2	KH-12 086 14	Screw, hex. flange M10x1.5x45	1
3	KH-12 468 03	Washer, plain 3/8"	1
4	KH-20 146 02-S	Plate, fan mounting	1
5	KH-32 157 01-S	Fan	1
6	KH-32 025 05-S	Flywheel	1
7	KH-X-42-15	Key	1
8	KH-41 403 09	Rectifier-regulator	1
9	KH-236602-S	Connector (3 contact)	1
10	KH-M-551016-S	Screw, heavy hex. flange M5x0.8x16	2
11	TBD	Kit, 15 amp stator	1
12	KH-47 154 01-S	Clip, cable	1
13	KH-M-548025-S	Screw, hex. head thread forming M5x0.8x25	2
14	759-3336	Spark plug	2
	KH-24 584 36-S	Module, ignition	2
16	KH-M-545020-S	Screw, hex. flange thread forming M5x0.8x20	4
17	KH-24 584 31-S	Module, speed advance	1
18	KH-M-448010	Screw, hex. flange thread forming	2

## ENGINE — OIL PAN / LUBRICATION



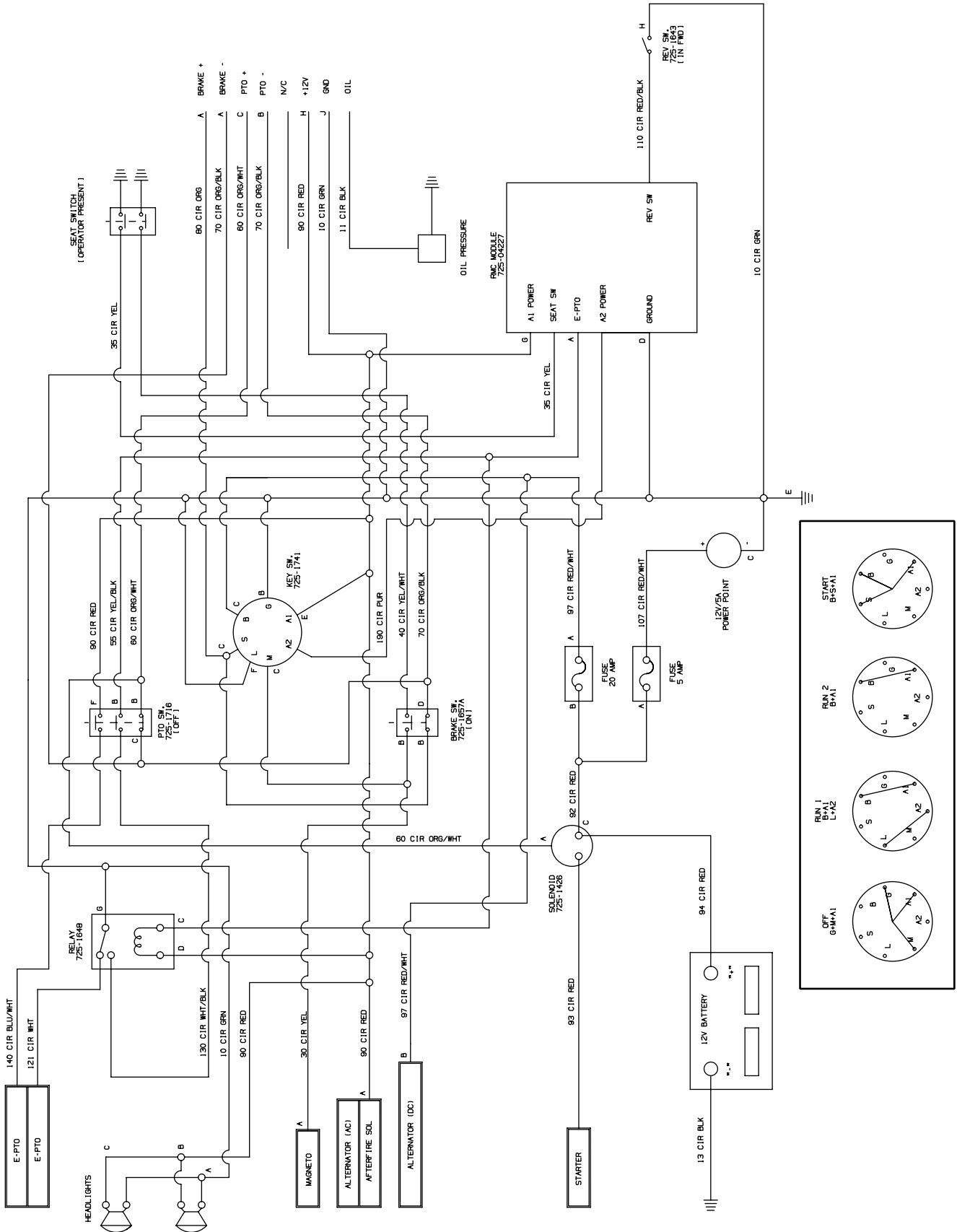
REF. NO.	PART NUMBER	DESCRIPTION	QTY.
1	KH-32-199-02-S	Pan assembly, oil (Includes 2-15)	1
2	KH-32-086-01-S	Screw, hex. flange tapp shoulder	2
3	KH-32-393-08-S	Oil pump assembly	1
4	KH-24-043-12	Kit, governor gear w/pin (Includes 5)	1
5	KH-12-380-01	Pin, governor regulating	1
6	KH-24-448-02-S	Tab, locking	1
7	KH-12-144-02	Shaft, governor gear	1
8	KH-52-032-08-S	Seal, oil (PTO end)	1
9	KH-32-123-01-S	Tube, oil feed - filter to oil pan	1
10	KH-32-123-03-S	Tube, oil feed - oil pan to filter	1
11	KH-24-153-01	O-Ring	2
12	KH-32-029-10-S	Adapter, oil filter (Includes 13,14)	1
13	KH-25-139-60-S	Plug, hex. ctsk. 1/8"	1
14	KH-32-153-02-S	O-Ring, oil filter adapter	1
15	KH-32-136-03-S	Nipple, oil filter	1
16	KH-25-099-24-S	Switch, pressure	1
17	KH-52-050-02	Filter, oil	1
18	KH-24-086-17-S	Screw, hex. flange M8x1.25x45	1
19	KH-24-086-16-S	Screw, hex. flange M8x1.25x45	9
20	KH-25-139-57-S	Plug, sq. hd. solid 3/8"	1

## ENGINE — STARTING SYSTEM



REF. NO.	PART NUMBER	DESCRIPTION	QTY.
1	KH-M-839080-S	Screw, hex. flange M8x1.25x70	2
2	KH-32-098-01-S	Starter assembly (Includes 3-5)	1
3	KH-12-755-39-S	Kit, drive	1
4	KH-12-755-38-S	Kit, drive parts	1
5	KH-12-243-04-S	Commutator, end cap	1

# ELECTRICAL SCHEMATIC



## NOTES

## NOTES

**CUB CADET LLC, P.O. BOX 361131 CLEVELAND, OHIO 44136-0019**