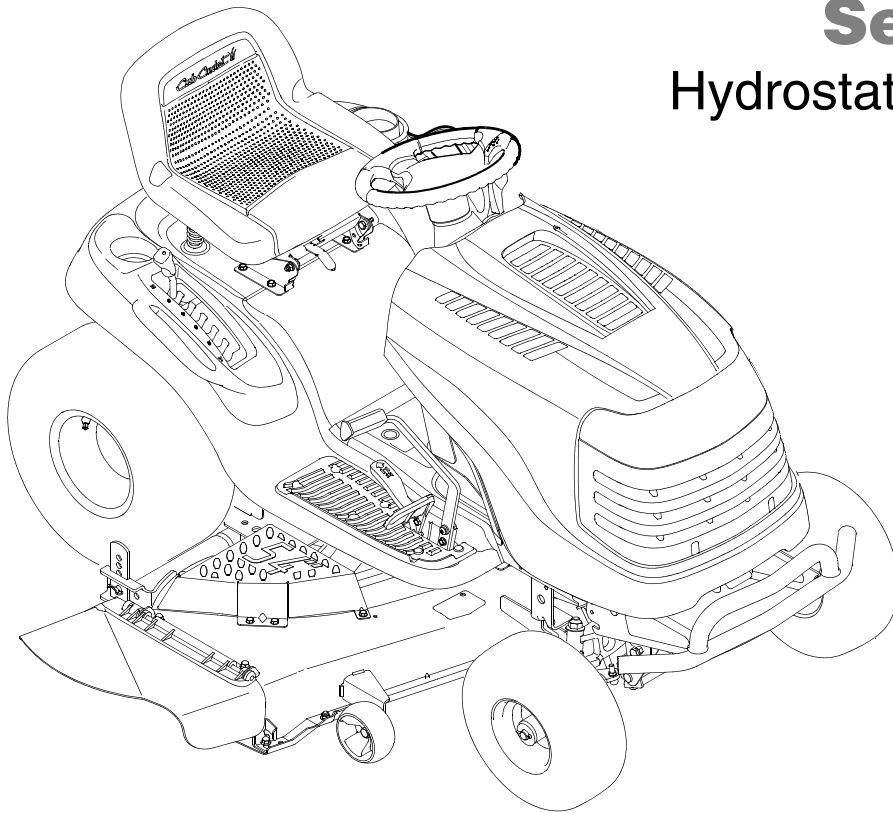


# *Cub Cadet*

## Parts Manual

**Series 1500**  
Hydrostatic Garden Tractor  
Model GT1554



**CUB CADET LLC, P.O. BOX 361131 CLEVELAND, OHIO 44136-0019**

PRINTED IN U.S.A.

FORM NO. 769-01669B  
(3/05)

---

## MODELS GT1554

### TABLE OF CONTENTS

DESCRIPTION	PAGE	DESCRIPTION	PAGE
Axle, Front .....	6	Fender .....	10
Battery .....	16	Frame .....	8
Brake Pedal .....	12	Fuel Tank .....	10
Head Lamp .....	18	Grille .....	18
Mower Deck, 54-inch .....	22	Hood .....	18
Pedal Controls .....	12	Deck Lift Handle/Linkage .....	11
Dash Panel .....	16	Muffler .....	15
Drive System .....	4	PTO Clutch .....	20
Electrical Sysytem .....	21	Seat .....	14
Engine Accessories .....	15	Steering .....	6
Engine		Transmission, Hydrostatic .....	24
Crankcase; Crankshaft; Pistons	26	Wheels, Front & Rear .....	3
Head; Valves; Breather	28		
Oil Pan; Lubrication	30		
Ignition; Electrical	31		
Blower Housing	32		
Starter	33		
Carburetor; Fuel System	34		
Air Intake; Filtration	35		
Engine Controls	36		

---

**NOTE,** For **painted parts**, please refer to the list of color codes below. Please add the applicable color code, wherever needed, to the part number to order a replacement part. For instance, if a part, numbered 700-xxxx, is painted Cub Yellow, the part number to order would be 700-xxxx-0716.

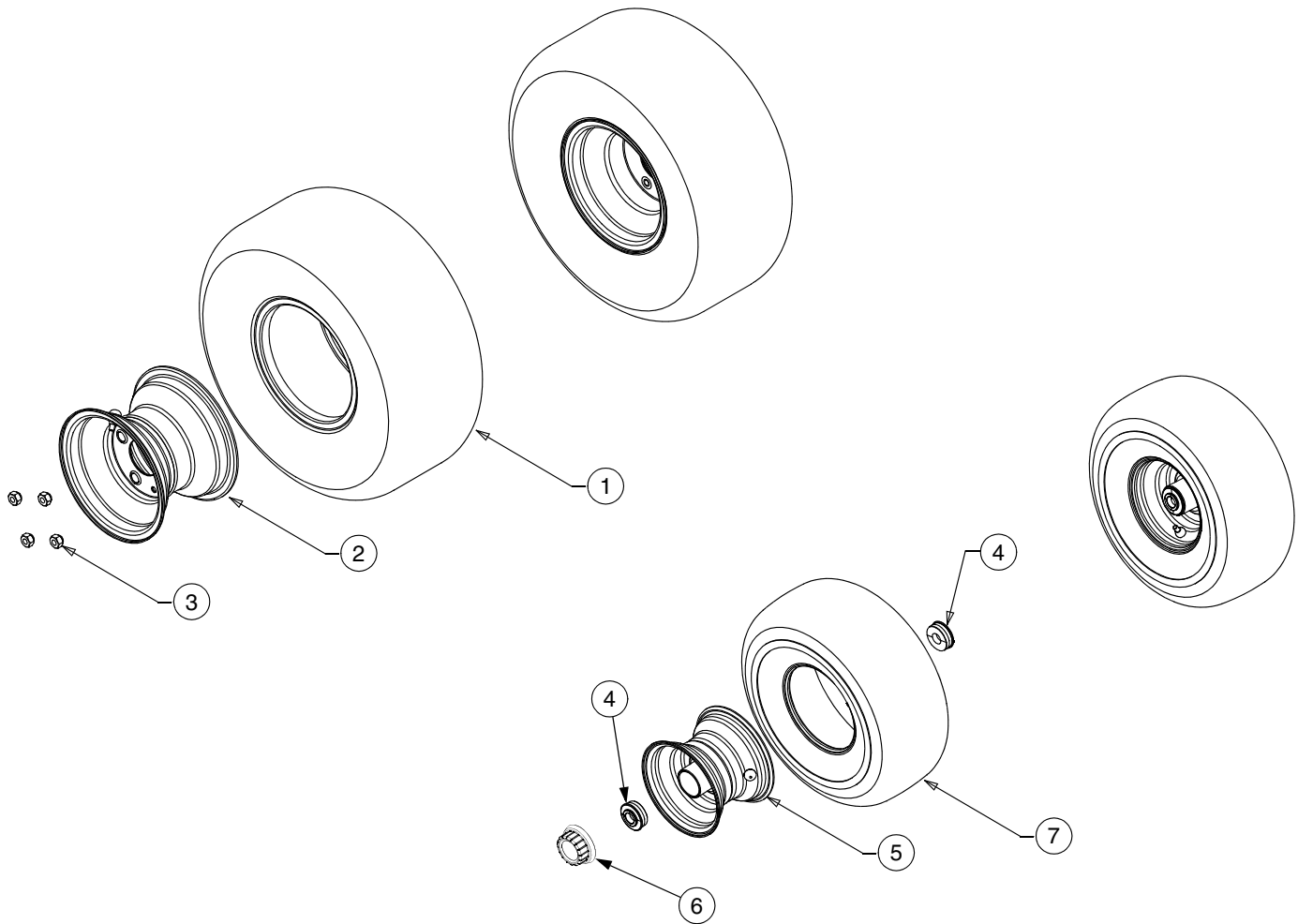
Cub Yellow: 0716

Cub Beige: 0499

Powder Black: 0637

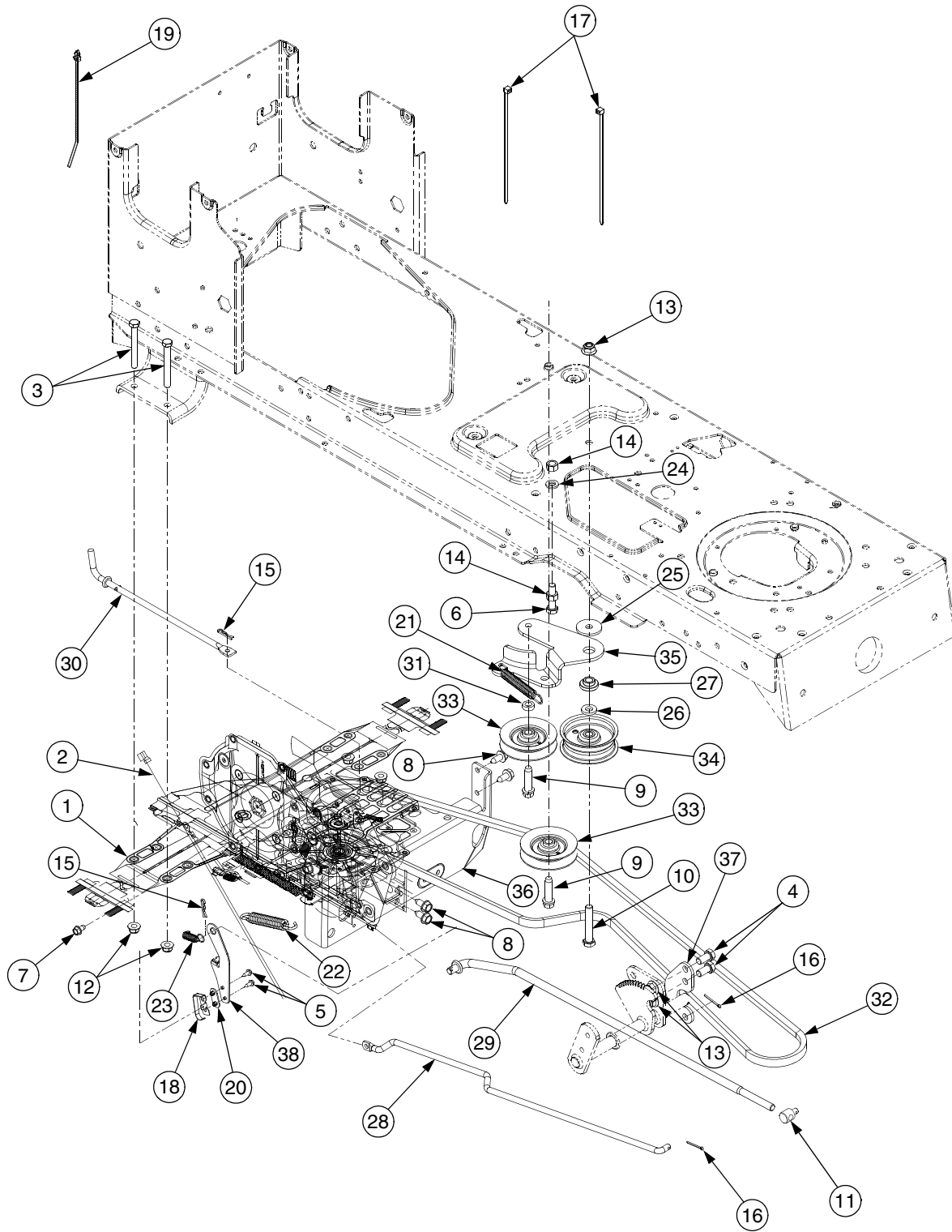
---

## WHEELS



REF. NO.	PART NUMBER	DESCRIPTION	QTY.
1	734-04147	Tire, Turf, <i>Cub Cadet</i> 23 x 10.5 x 12	2
2	634-3178	Rim Assembly, 12.0 x 7.0 (4-Lug)	2
3	712-3050	Lug Nut, 7/16-14	8
4	741-04137	Bearing, Ball, .75 ID x 1.75 OD	4
5	634-04090A	Rim Assembly, Bead Lock, 8 x 5.38 Includes 734-0255 & 741-04137 (2)	2
6	731-3020	Hub Cap	2
7	734-04148	Tire, Turf, <i>Cub Cadet</i> 16 x 7.5 x 8	2
—	737-0224	Gease Fitting	2
—	734-0255	Valve, Tubeless Air	4

# DRIVE SYSTEM

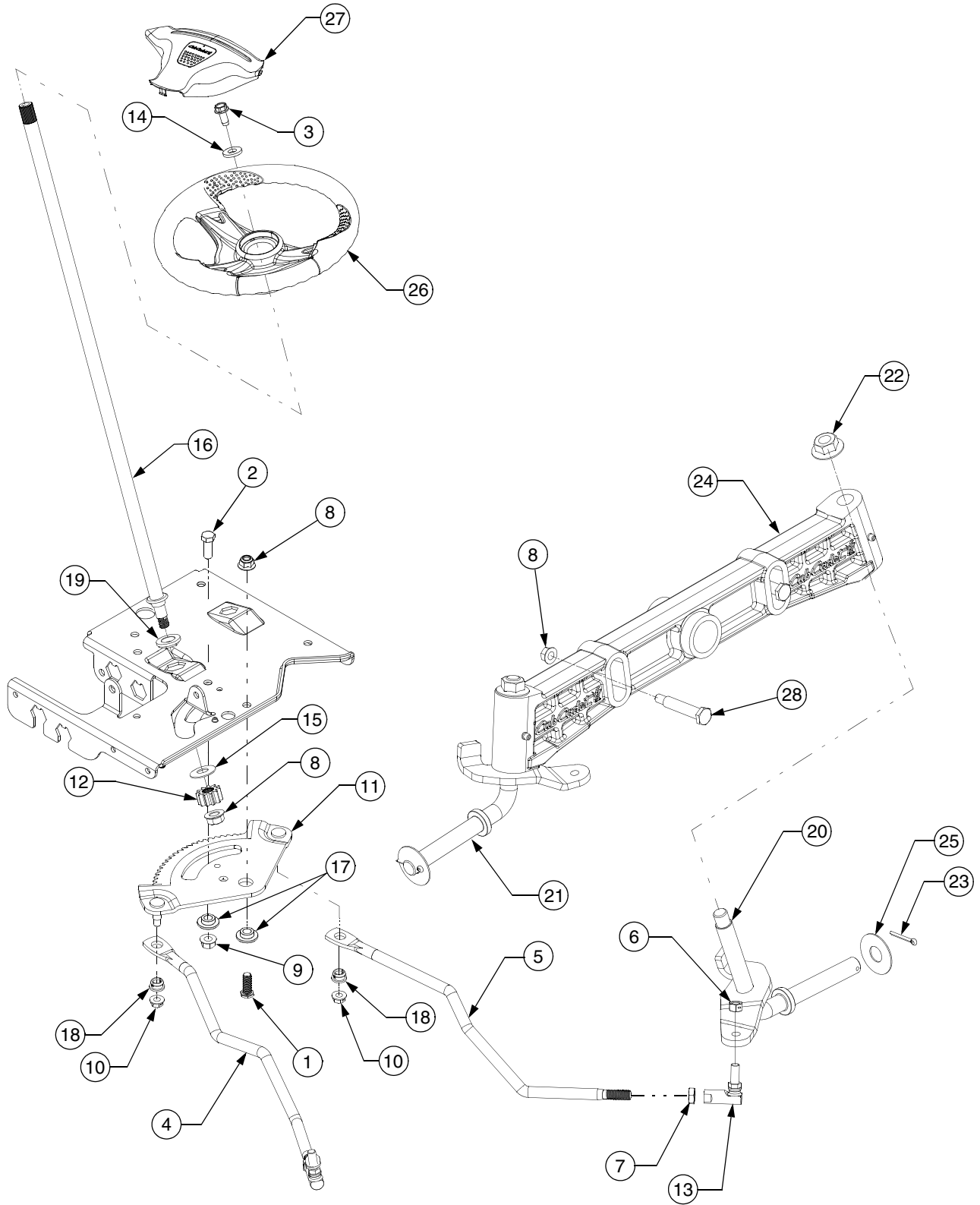




## DRIVE SYSTEM

REF. NO.	PART NUMBER	DESCRIPTION	QTY.
1	618-0379	Transmission, Hydro	1
2	629-04143	Harness, Rev	1
3	710-0176	Screw, Hex Cap, 5/16-18 x 2.75 GR5	4
4	710-0216	Screw, Hex Cap, 3/8-16 x .75 GR5	2
5	710-0227	Screw, Hex Wash Hd Tapp, #8-18 x .5	2
6	710-0344	Hex Cap Screw, 3/8-16 x 1.5, GR5	1
7	710-0599	Screw, Hx Wash Hd Tapp, 1/4-20 x .5	1
8	710-0726	Screw, Hx Wash Hd Tapp, 5/16-12 x .75	6
9	710-1007	Screw, Hx Wash Hd Sems Tapp 3/8-16 x 1.5	2
10	710-3011	Hex Cap Screw, 3/8-16 x 2.25, Gr5	1
11	711-0832	Ferrule, 3/8-24 x .375 Dia	1
12	712-3004A	Nut, Flange Insert Lock, 5/16-18 Gr5	4
13	712-04065	Nut, Flange Insert Lock, 3/8-16 GrF	3
14	712-3017	Nut, Hex, 3/8-16, GR5	2
15	714-0104	Pin, Cotter, .072 Dia. x 1.13 Lg	2
16	714-0111	Pin, Cotter, 3/32, 1.0	2
17	725-0157	Cable, Tie, 3/16 x .05 x 7.4	2
18	725-1644	Switch, Spring, Short	1
19	726-0154	Tie, Cable, Push Mount 7.5 Lg	1
20	726-0320	Plate, Insulator Nut	1
21	732-0429A	Spring, Extension, .50 Dia x 3.97 Lg	1
22	732-0716	Spring, Extension, .59 OD x 4.00 Lg	1
23	732-3118	Spring, Extension, 3/8 OD x 1.44 Lg	1
24	736-0169	Washer, Lock, 3/8, Regular Duty	1
25	736-0320	Washer, Flat, .38 x 1.38 x .125	1
26	736-3010	Washer, Flat, .407 x .812 x .135 Hdn	1
27	738-0372B	Spacer, Shoulder, 1.00 x .38 x .38	1
28	747-04140	Rod, Brake, LT	1
29	747-1119	Rod, Hydro Control	1
30	747-1121	Rod, Hydro Disengage	1
31	750-0535	Spacer, .376 ID x .625 OD x .22	1
32	754-0349	Belt, V Type A, 79.10 Lg	1
33	756-0116A	Pulley, Idler, V Type x 3.06 Dia	2
34	756-0981B	Pulley, Idler, Flat 2.75 OD	1
35	783-04442	Bracket, Idler	1
36	783-0667B	Bracket, Transmission Torq	1
37	783-0745	Bracket, Speed Control	1
38	783-0782	Bracket, Actuator	1

# STEERING



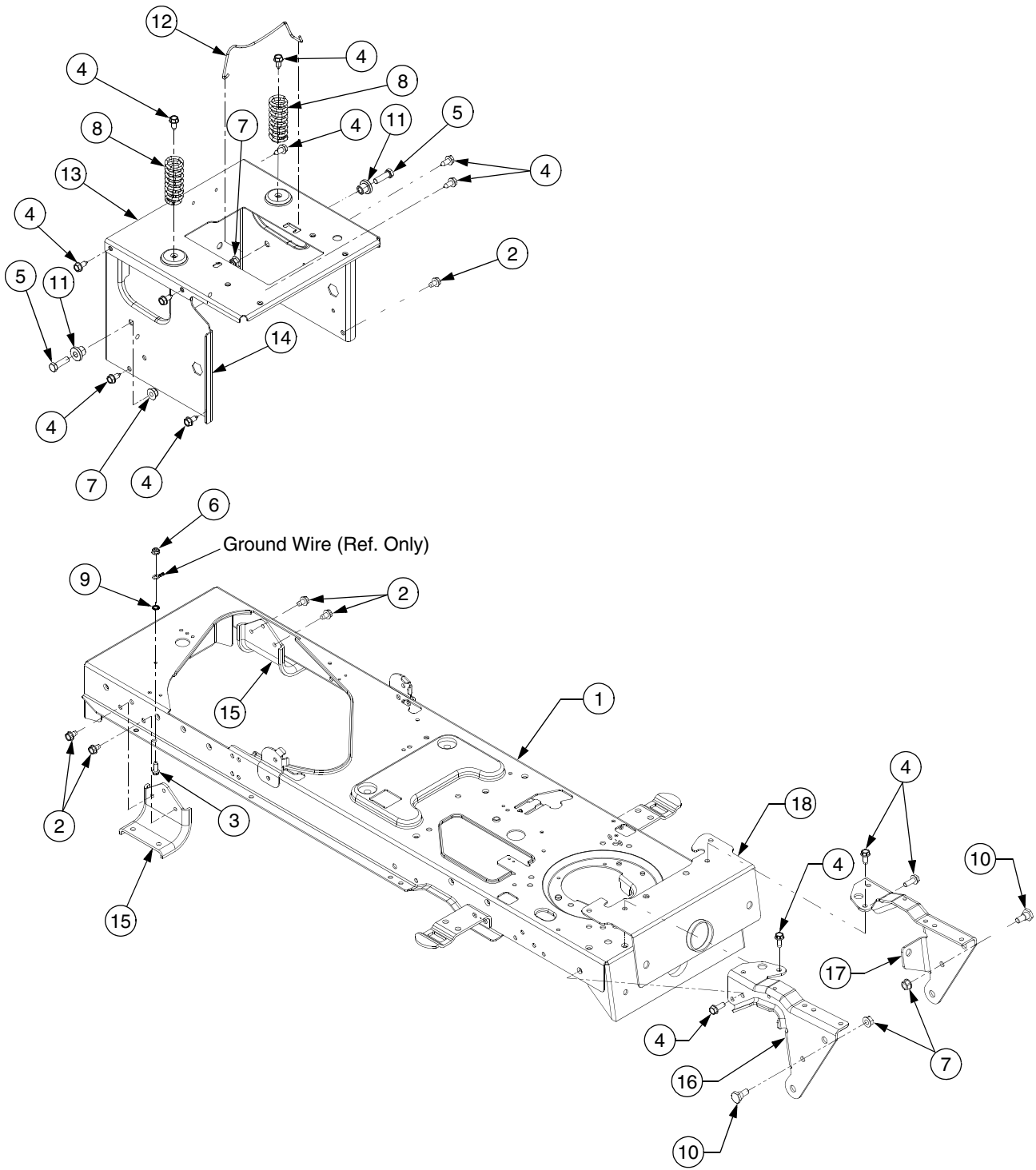
---

## STEERING

REF. NO.	PART NUMBER	DESCRIPTION	QTY.
1	710-04095	Screw, Spec. Hex Cap, 3/8-16 x 1.0 GR5	1
2	710-0514	Hex Cap Screw, 3/8-16, 1.00, Gr5, Std	1
3	710-1260A	Screw, Hex Wash Hd. Tapp, 5/16-18 x .75	1
4	711-1408	Link, Drag, RH	1
5	711-1409A	Link, Drag, LH	1
6	712-0214	Nut, Hex Lock, 3/8-24 GRB	2
7	712-0240	Nut, Jam, 7/16-20, Gr2	2
8	712-04065	Nut, Flange Insert Lock, 3/8-16	4
9	712-0459	Nut, Flange Lock, 7/16-20	1
10	712-3004A	Nut, Flange Lock, 5/16-18	2
11	717-1550E	Gear, Steering, 11/90 Ratio	1
	737-3007	Grease, Alvania Ep 2	1
12	717-1554	Gear, Pinion, Steering	1
13	723-0448A	Ball Joint, 7/16-20 Lock	2
14	736-3004	Washer, Flat, .406 x .875 x .105	1
15	736-3084	Washer, Flat, .510 x 1.120 x .060 HT	1
16	738-04075	Shaft, Steering, .625 OD x 25.00 Lg	1
17	738-04154	Spacer, Shoulder, .38 x 1.00 x .31	2
18	741-0475	Bushing, Plastic, .380 ID	2
19	741-0656A	Bearing, Hex Flange	1
20	683-04101	Axle Assembly, LH .750 Dia	1
21	683-04102	Axle Assembly, RH .750 Dia	1
22	712-0417A	Nut, Hex, Flange, 5/8-18	2
23	714-04039	Pin, Cot, 5/32, 1.25	2
24	719-04105	Axle, Pivot, Cast	1
25	736-0866	Washer, Flat, .755 x 1.92 x .060	2
26	631-04008	Wheel, Steering, Soft Grip, Three Spoke	1
27	731-04532	Cover, Steering Wheel	1
28	738-1011A	Screw, Shoulder, .500 x 2.230, 3/8-16	2

---

# FRAME



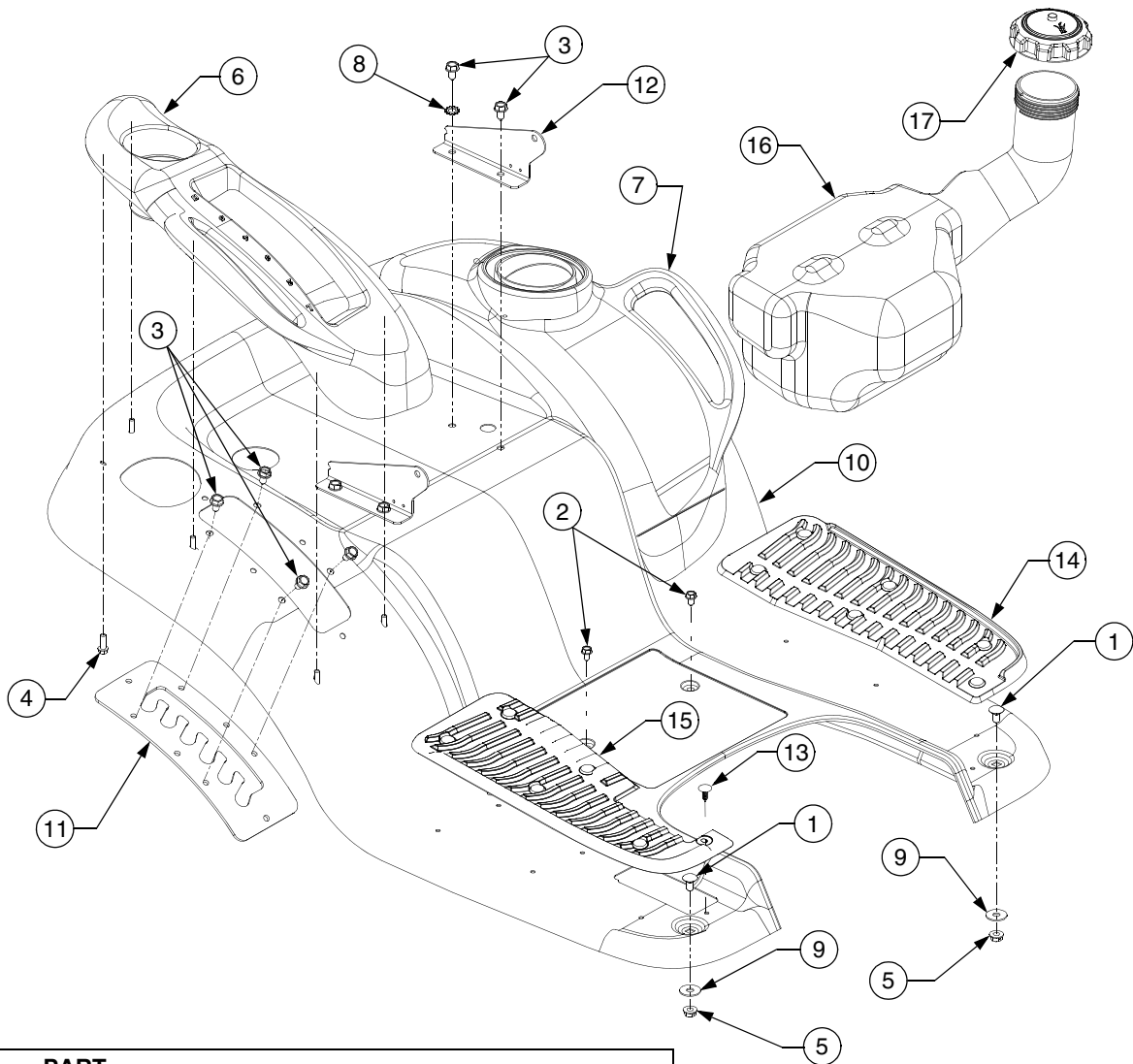
---

**FRAME**

<b>REF. NO.</b>	<b>PART NUMBER</b>	<b>DESCRIPTION</b>	<b>QTY.</b>
1	683-04173	Frame Assembly, Lower	1
	777I22240	Graphic, Bypass Rod	1
2	710-0607	Screw, Hex Wash. Hd. Tapp, 5/16-18 x .5	5
3	710-0642	Screw, Hex Wash. Hd. Tapp, 1/4-20 x .75	1
4	710-0726	Screw, Hex Wash. Hd. Tapp, 5/16-12 x .75	13
5	710-3005	Screw, Hex Cap, 3/8-16 x 1.25 GR5	2
6	712-04064	Nut, Flange Insert Lock, 1/4-20 GRF	1
7	712-04065	Nut, Flange Insert Lock, 3/8-16 GRF	4
8	732-04035	Spring, Compression, 1.28 OD x 3.125 Lg	2
9	736-0222	Washer, Lock, Ext 1/4	1
10	738-0143	Shoulder Screw, 3/8-16	2
11	738-04058	Spacer, Shoulder, .38 x 1.0 x .70	2
12	747-04121A	Rod, Battery Holddown	1
13	783-04329A	Bracket, Seat Frame	1
14	783-04710	Frame, Upper	1
	777I22241	Graphic, Fuel	1
15	783-0693	Bracket, Axle	1
16	783-0726D	Bracket, Pivot, Support RH	1
17	783-0727C	Bracket, Pivot, Support LH	1
18	783-0728	Bracket, Pivot, Bar	1

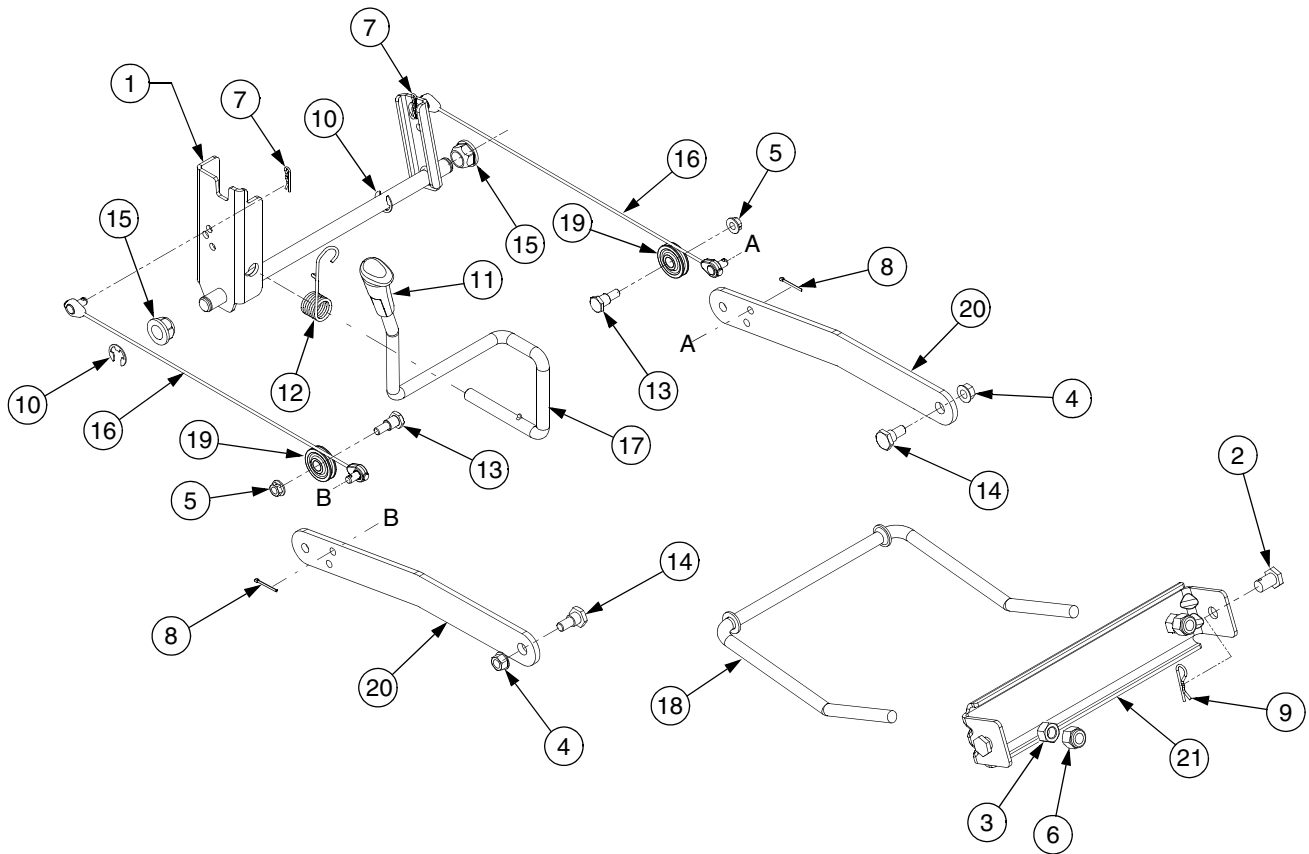
---

## FENDER & FUEL TANK



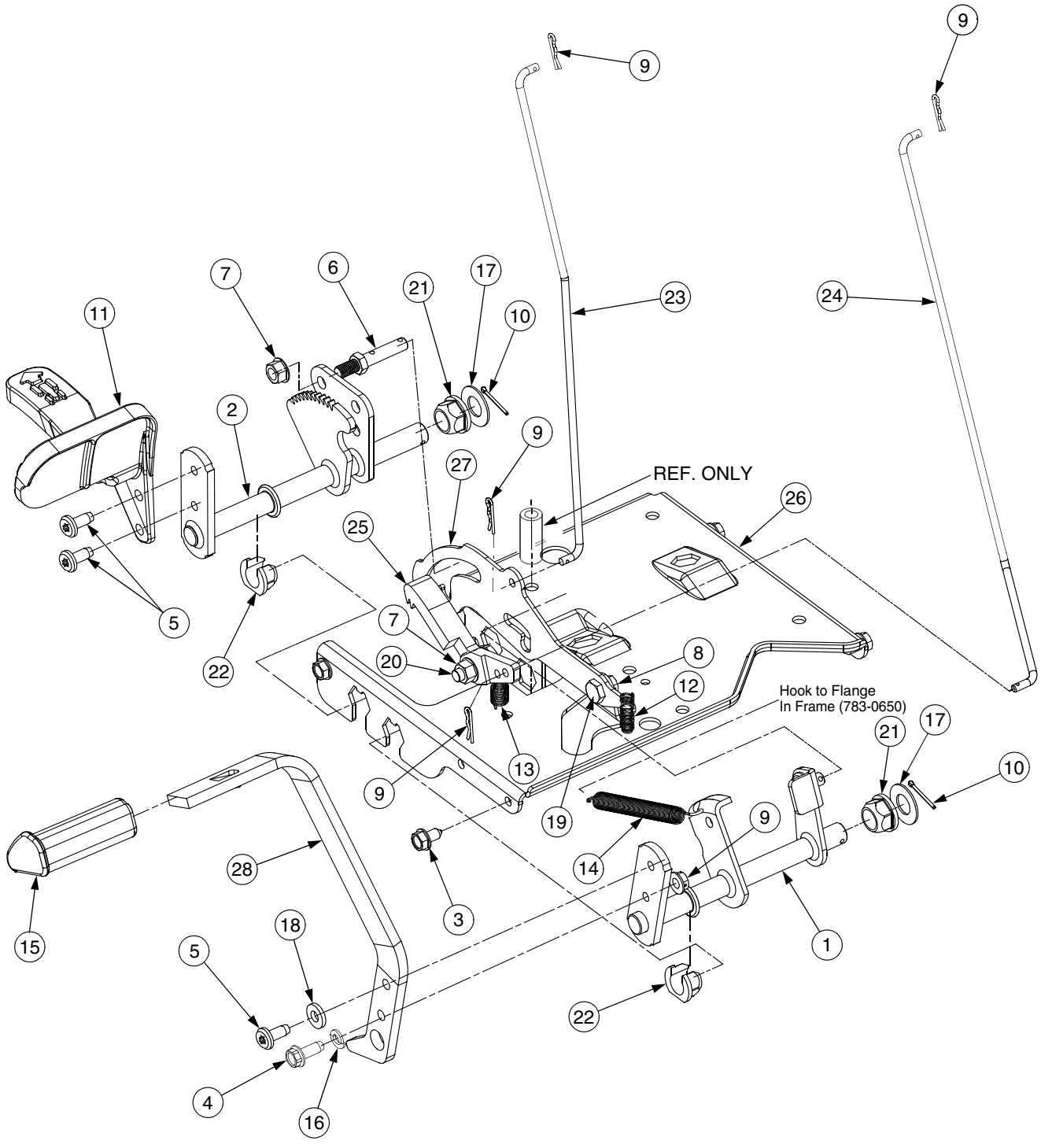
REF. NO.	PART NUMBER	DESCRIPTION	QTY.
1	710-0451	Bolt, Carriage, 5/16-18 x .75 Lg	2
2	710-0599	Screw, Hex Wash Hd Tap, 1/4-20 x .5	2
3	710-0726	Screw, Hex Wash Hd Tap, 5/16-12, 0.75	8
4	710-0895	Screw, 1/4-15, 0.750	6
5	712-04063	Nut, Flange Insert Lock, 5/16-18 GRF	2
6	731-2616A	Cover, Fender, RH	1
7	731-2617	Cover, Fender, LH	1
8	736-0607	Washer, External Tooth Lock, 5/16	1
9	736-3078	Washer, Flat, .349 x 1.00 x .063	2
10	783-04398A	Fender	1
	777D08309	Graphic, Rear of Fender	1
	777S32484	Graphic, Warning/Instruction	1
11	783-0677	Bracket, Lift, Adjustment	1
12	783-1489A	Bracket, Seat, Mount	2
13	726-3046	Clip, Ratchet, .250 Dia	12
14	735-0697A	Pad, Foot, LH	1
15	735-0698B	Pad, Foot, RH	1
16	751-0819B	Tank, Fuel	1
17	751-3124B	Cap, Fuel	1

## LIFT ASSEMBLY



REF. NO.	PART NUMBER	DESCRIPTION	QTY.
1	683-04118	Shaft Assembly, Lift	1
2	711-0332	Pin, Clevis, .50 Dia x .78 Lg	2
3	712-0206	Nut, Hex, 1/2-13, Gr5	2
4	712-04065	Nut, Flange Insert Lock, 3/8-16 GrF	2
5	712-04063	Nut, Flange Insert Lock, 5/16-18, GrF	2
6	712-3083	Nut, Hex Lock, 1/2-13, Gr8, Nylon	2
7	714-0104	Pin, Cotter, .072 Dia. x 1.13 Lg	2
8	714-0111	Pin, Cotter, 3/32, 1.0	2
9	714-04023	Pin, Internal Cotter, .080 x 1.56 Lg	2
10	716-0106A	E-ring, .625 Dia. Shaft	2
11	720-0311	Grip, Handle	1
12	732-0874	Spring, Torsion	1
13	738-0138A	Screw, Hex Cap, 5/16-18x.620 Gr2	2
14	738-0380	Shoulder Screw, .5 x .27:3/8-16	2
15	741-0225	Bearing, Hex Flange	2
16	746-0968	Cable, Lift, 16.16 Lg	2
17	747-04155	Handle, Lift	1
18	747-1324	Rod, Deck, Front Adjustment .5" Dia	1
19	756-1154	Pulley, Roller	2
20	783-0678A	Lift, Arm	2
21	783-0720A	Bracket, Adjustment, Front Deck Rod	1

# PEDAL ASSEMBLY





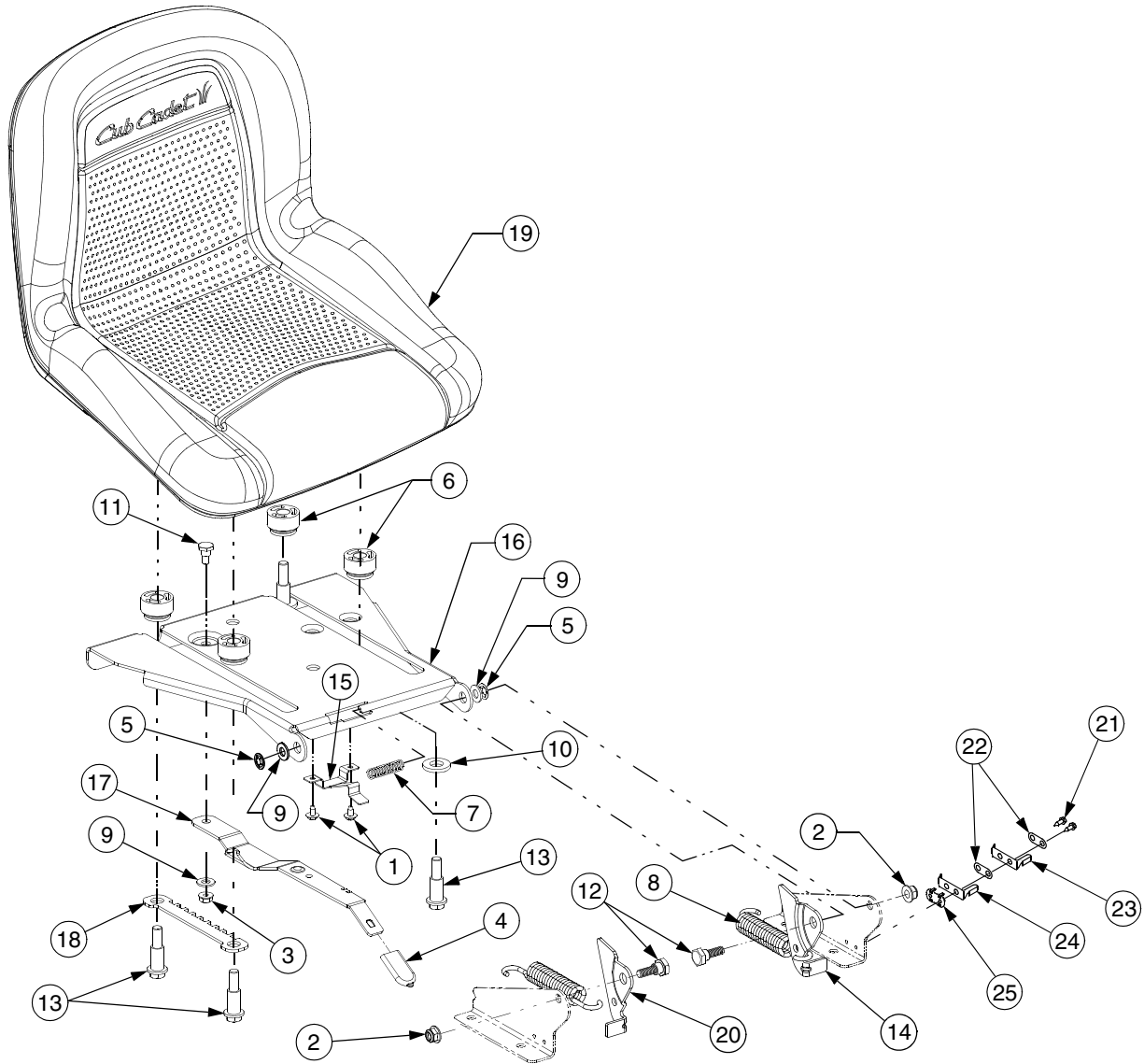
---

## PEDAL ASSEMBLY

REF. NO.	PART NUMBER	DESCRIPTION	QTY.
1	647-0031B	Control Assembly, Brake	1
2	647-0049A	Control Assembly, Hydro	1
3	710-0726	Screw, Self-tapping, 5/16-12, 0.75	4
4	710-0650	Screw, Self-tapping, 5/16-18, 0.875	1
5	710-1611B	Screw, Torx Hd. Tapp. 5/16-18 x .75	3
6	711-04159B	Pin, 3/8-16, x 2.68 Lg	1
7	712-04065	Nut, Flange Insert Lock, 3/8-16	2
8	712-3004A	Nut, Flange Lock, 5/16-18, Gr5	2
9	714-0104	Pin, Cotter, .072 Dia. x 1.13 Lg	4
10	714-0111	Pin, Cotter, 3/32, 1.0	2
11	719-0584A	Pedal, Control	1
12	732-0335	Spring, Compression, .405 x 1.17	1
13	732-0955	Spring, Extension, .50 OD x 1.41 Lg	1
14	732-0963	Spring, Extension, .50 Dia x 6.37 Lg	1
15	735-3049	Pad, Brake, Control	1
16	736-0119	Washer, Lock, 5/16	1
17	736-0187	Washer, Flat .64 ID x 1.24 x .06	2
18	736-3008	Washer, Flat, .344 x .750 x .120	1
19	738-0155	Shoulder, Screw .437 x 1.62 Lg	1
20	738-0380	Screw, Shoulder, .50 x .27:3/8-16	1
21	741-0225	Bearing, Hex Flange	2
22	741-3065B	Bearing, Hex Flange, .628 ID, Split	2
23	747-04093	Rod, Control, Brake Lock	1
24	747-04096	Rod, Control, Cruise	1
25	748-04039B	Latch, Cruise	1
26	783-04612	Bracket, Support, Steering	1
27	783-0663E	Bracket, Lockout, Hydro	1
28	783-0773A	Pedal, Brake	1

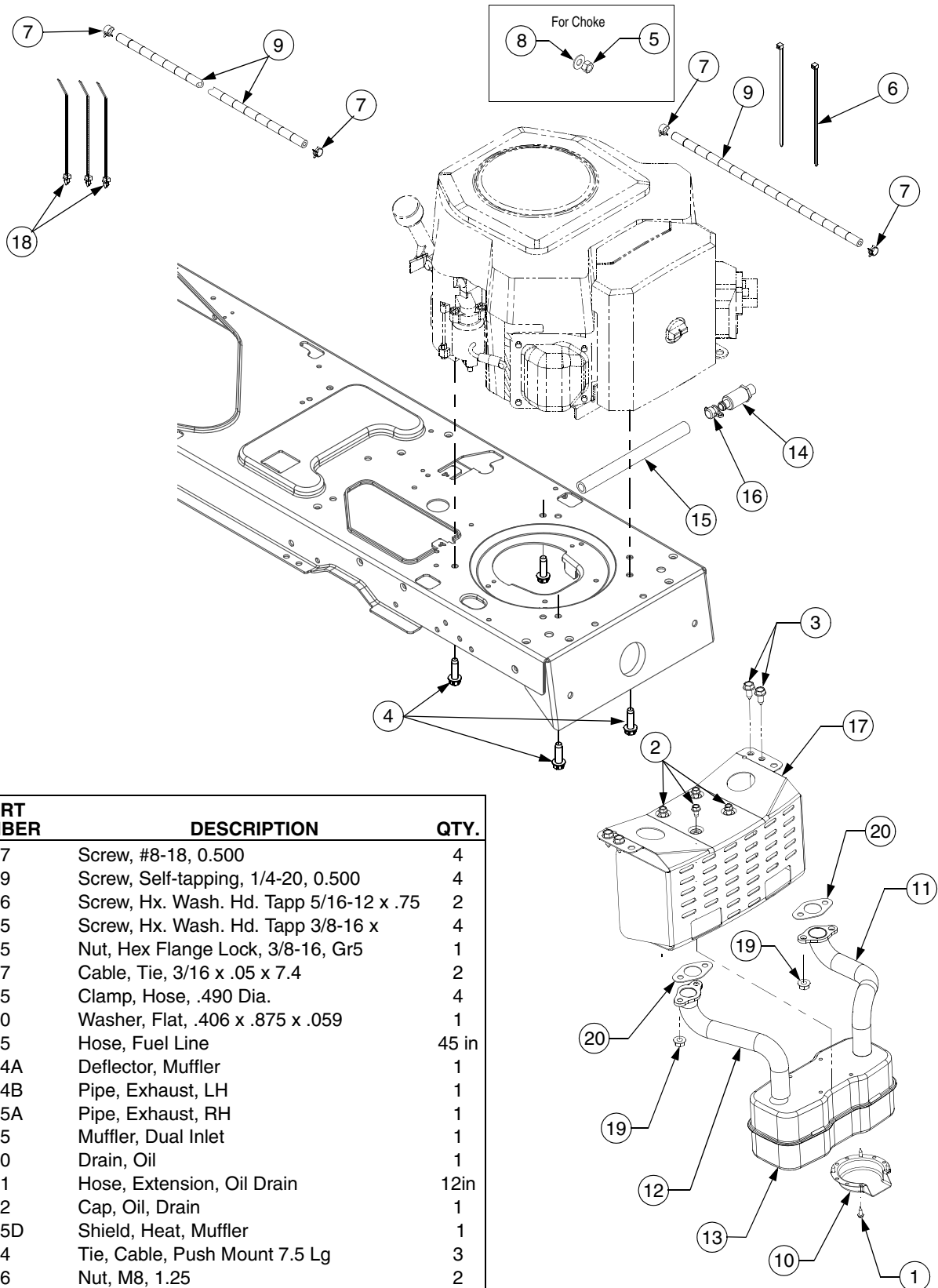
---

## ADJUSTABLE SEAT



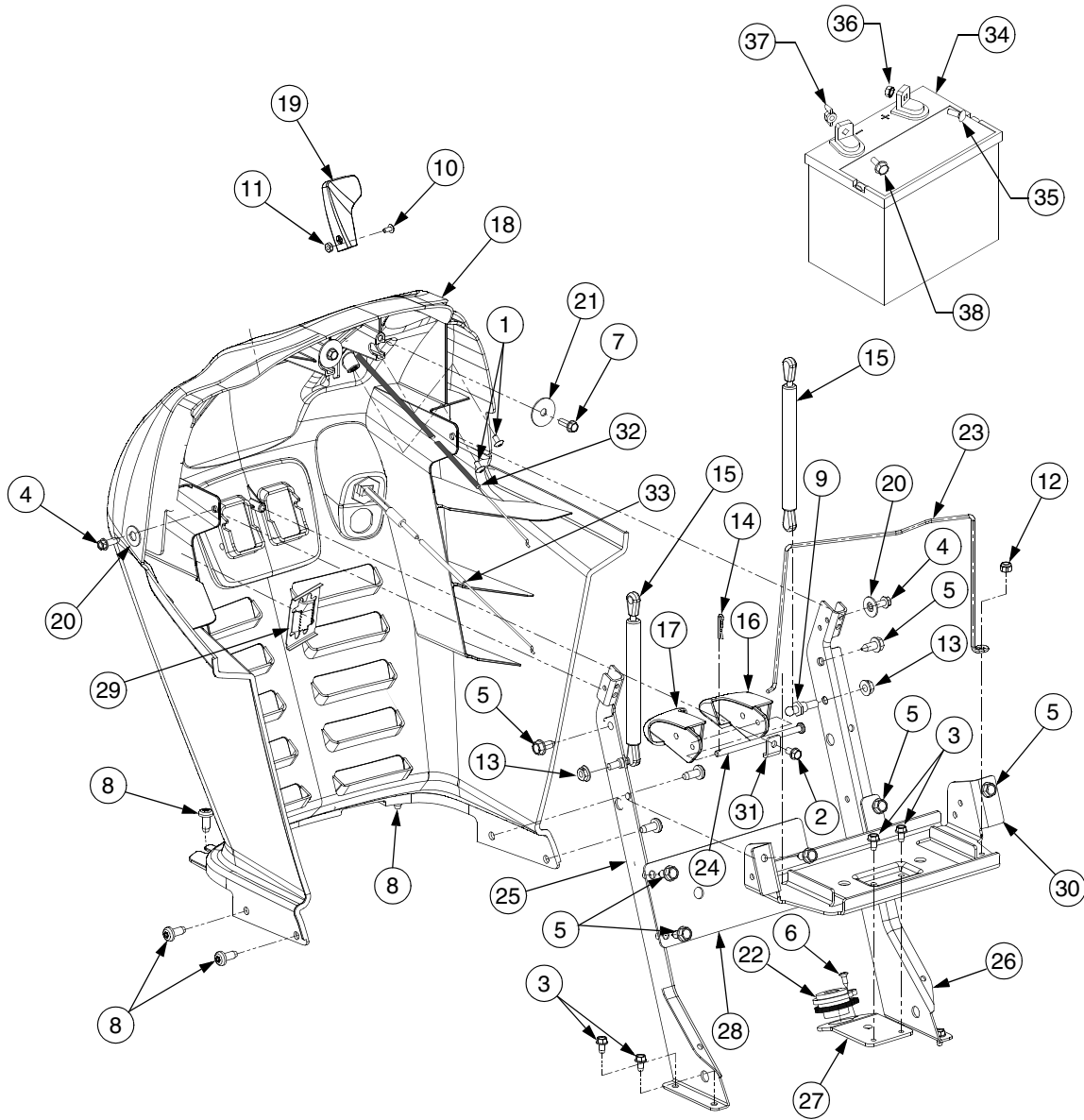
REF. NO.	PART NUMBER	DESCRIPTION	QTY.	REF. NO.	PART NUMBER	DESCRIPTION	QTY.
1	710-1268	Screw Hex Wash Hd., #10-16, 0.375	2	14	783-0209D	Bracket, Seat Lift	1
2	712-04063	Nut, Flange Insert Lock, 5/16-18,	2	15	783-0611	Stop, Seat, Adjustment	1
3	712-3027	Nut, Flange Lock, 1/4-20	1	16	783-0738B	Bracket, Pivot, Seat	1
4	720-0433	Grip, Seat Adjustment (Yellow)	1	17	783-0739A	Lever, Seat, Adjustment	1
5	726-0201	Nut, Speed, .3125 ID	2	18	783-0753	Selector, Seat, Adjustment	1
6	731-04074	Spacer, Seat, Adjustment	4	19	757-04035	Seat, Mid-back, V-1480	1
7	732-0499	Spring, Compression .41 OD x 1.50	1		777D06883	Graphic, Made in USA	1
8	732-1185	Spring, Extension, .815 Dia x 4.77	2		777D01782	Graphic, Cub Cadet	1
9	736-0275	Washer, Flat, .344 x .688 x .065	3	20	17239D	Bracket, Seat Lift	1
10	736-3019	Washer, Flat, .531 x 1.062 x .134	2	21	710-0227	Screw, #8-18 x.50	2
11	738-0137A	Screw, Shoulder, .340 x .285, 1/4-20	1	22	726-0279	Plate, Insulator	2
12	738-0296	Shoulder, Screw .437 x .286 Lg	2	23	725-1303	Spring Switch, Outer	1
13	738-0966A	Screw, Shoulder, .50 x.93	4	24	725-1439	Spring Switch, Inner	1
				25	726-0278	Plate, Insulator Boss	1

## ENGINE ACCESSORIES



REF. NO.	PART NUMBER	DESCRIPTION	QTY.
1	710-0227	Screw, #8-18, 0.500	4
2	710-0599	Screw, Self-tapping, 1/4-20, 0.500	4
3	710-0726	Screw, Hx. Wash. Hd. Tapp 5/16-12 x .75	2
4	710-1315	Screw, Hx. Wash. Hd. Tapp 3/8-16 x	4
5	712-3005	Nut, Hex Flange Lock, 3/8-16, Gr5	1
6	725-0157	Cable, Tie, 3/16 x .05 x 7.4	2
7	726-0205	Clamp, Hose, .490 Dia.	4
8	736-0300	Washer, Flat, .406 x .875 x .059	1
9	751-0535	Hose, Fuel Line	45 in
10	751-0564A	Deflector, Muffler	1
11	751-0644B	Pipe, Exhaust, LH	1
12	751-0645A	Pipe, Exhaust, RH	1
13	751-0805	Muffler, Dual Inlet	1
14	751-3140	Drain, Oil	1
15	751-3141	Hose, Extension, Oil Drain	12in
16	751-3142	Cap, Oil, Drain	1
17	783-0615D	Shield, Heat, Muffler	1
18	726-0154	Tie, Cable, Push Mount 7.5 Lg	3
19	712-3086	Nut, M8, 1.25	2
20	KH-24-041-02	Gasket, Exhaust	2

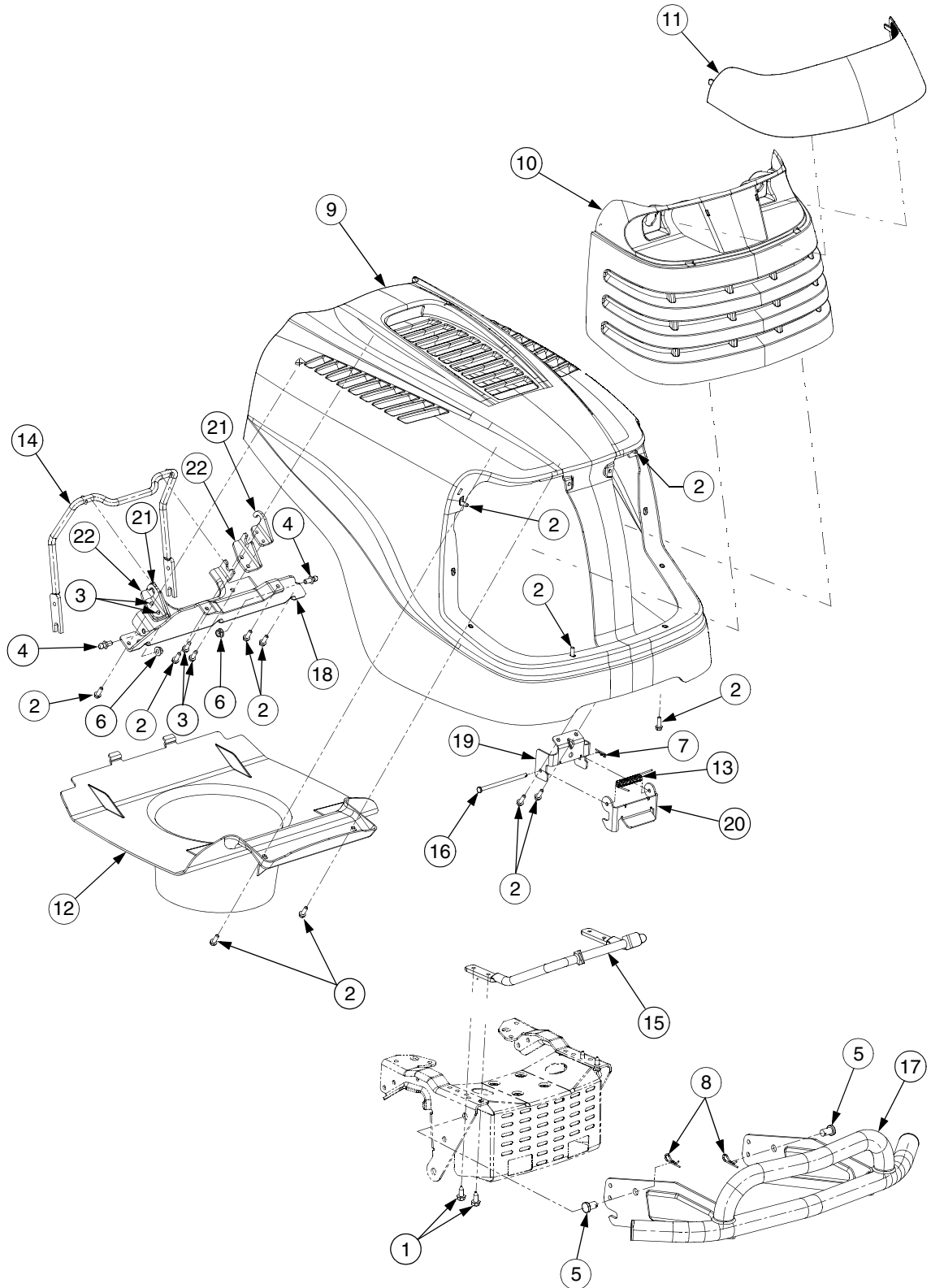
# DASH PANEL



## DASH PANEL

REF. NO.	PART NUMBER	DESCRIPTION	QTY.
1	710-0192	Screw, #10-24 X .375	2
2	710-04187	Screw, Hx. Wash Hd. 1/4-15 x .5	1
3	710-0599	Screw, Self-tapping, 1/4-20, 0.500	6
4	710-0642	Screw, Hx. Wash. Hd, Tapp. 1/4-20 x .75	2
5	710-0726	Screw, Hx. Wash. Hd, Tapp, 5/16-12 x .75	8
6	710-0837	Screw, Oval Cntrsnk, #10-16 x .625	1
7	710-0895	Screw, 1/4-15, 0.750	2
8	710-1611B	Screw, Torx Hd. Tapp. 5/16-18 x .75	6
9	710-04471	Screw, Ball, 5/16-18	2
10	710-3217	Screw, Truss Mach., #8-32 x .375	1
11	712-0142	Nut, Hex, #8-32 GrA	1
12	712-0324	Nut, Hex Insert Lock, 1/4-20 GR8	1
13	712-3004A	Nut, Hex Flange Lock, 5/16-18 GR5	2
14	714-0104	Internal Cotter Pin, .072 x 1.13	1
15	727-3194	Cylinder, Gas	2
16	731-04293A	Lever, Dash, Brake	1
17	731-04294A	Lever, Dash, Cruise	1
18	731-05077	Dash	1
	777122459	Graphic, Dash Insert	1
19	731-3161	Knob, Throttle Control	1
20	736-0300	Washer, Flat, .406 x .875 x .059	2
21	736-0362	Washer, Flat, .33 x 1.25 x .06 HT	2
22	741-0587	Bearing, Steering Column	1
23	747-04215	Strap, Batter	1
24	747-1323A	Rod, .25 x 4.55	1
25	783-04285B	Plate, Dash Support RH	1
26	783-04323B	Plate, Dash Support, LH	1
27	783-04475	Bracket, Steering Support	1
28	783-04506A	Plate, Dash Support	1
29	783-0462	Bracket, PTO Switch Retainer	1
30	783-1447A	Bracket, Support, Battery	1
31	783-1499	Bracket, Rod, Dash	1
32	746-1100	Cable, Throttle, 38.0 Lg	1
33	746-04120	Cable, Choke, 40.5 Lg.	1
34	925-1707D	Battery, 235 CCA, Dry	1
35	710-0703	Screw, Carriage, 1/4-20, .75,	1
36	712-0271	Nut, Hex, 1/4-20, Sems	1
37	712-3087	Nut, Wing, 1/4-20	1
38	738-1132	Screw, Shoulder, 1/4-20, .25 x .15	1

# HOOD & GRILLE



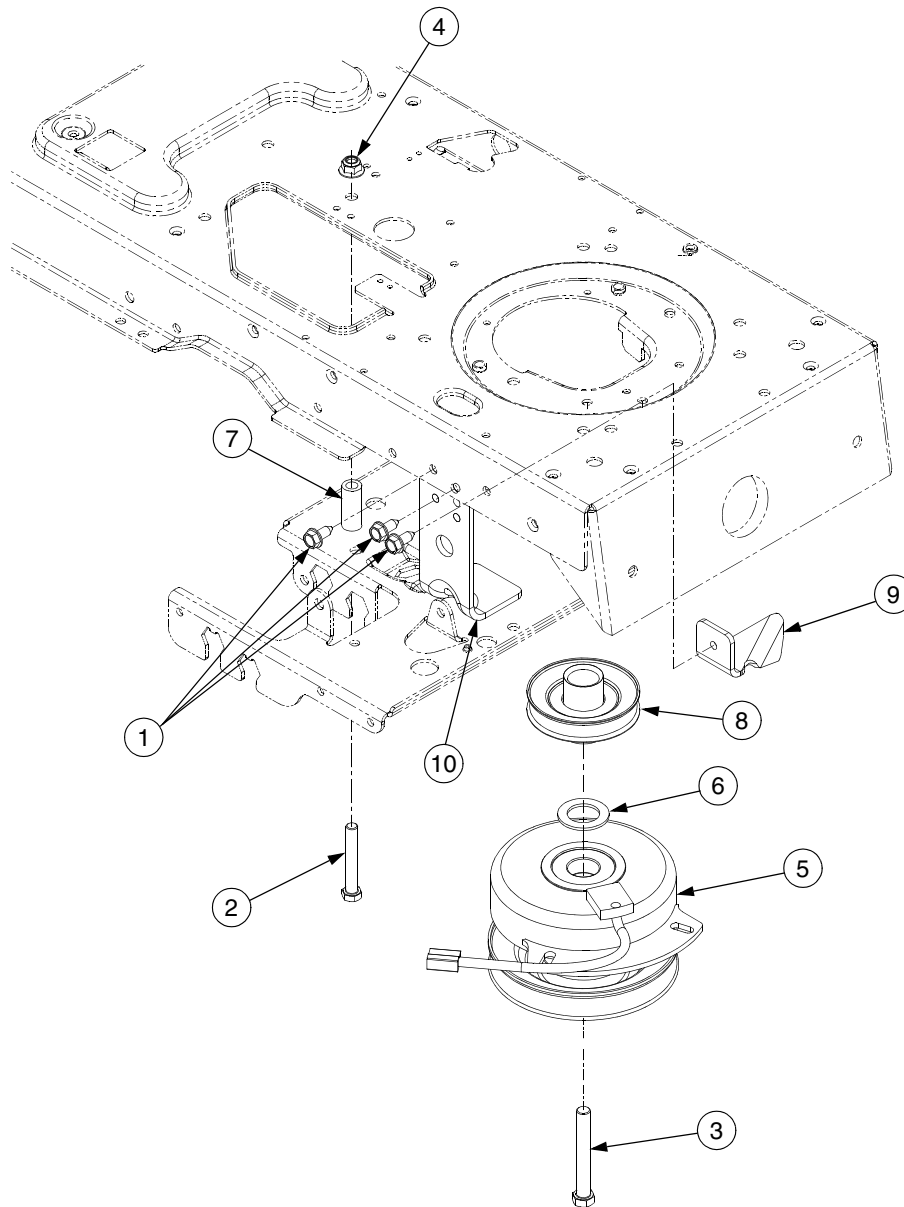
---

## HOOD & GRILLE

REF. NO.	PART NUMBER	DESCRIPTION	QTY.
1	710-0726	Screw, Hx Wash. Hd Tapp, 5/16-12 x .75	4
2	710-0895	Screw, Hx Wash. Hd Tapp, 1/4-15 x .75	12
3	710-1276	Screw, Hx Wash. Hd Tapp, 1/4-20 x .75	4
4	710-3170	Screw, Ball, 5/16-18	2
5	711-0332	Pin, Clevis, .5 x .78	2
6	712-3004A	Nut, Flange Lock, 5/16-18 GR5	2
7	714-0104	Pin, Internal Cotter	1
8	714-0145	Pin, Internal Cotter	2
9	731-05053	Hood	1
	777D07558	Graphic, Cub Cadet RH	1
	777D07559	Graphic, Cub Cadet LH	1
	777D08736	Graphic, GT1554 LH	1
	777D08737	Graphic, GT1554 RH	1
10	731-05103	Grill	1
	725-0963	Miniature Lamp, 12 V	2
	725-1649	Lamp Socket	2
11	731-05111	Lens, Hood	1
12	731-05129	Plenum, Hood	1
13	732-04281	Spring, Latch, Hood	1
14	747-04354	Rod, Hood Pivot	1
15	747-04368	Rod, Hood Latch	1
16	747-1323A	Rod, .25 x 4.55	1
17	749-04207	Bumper, Front	1
18	783-04662	Bracket, Hood Hinge	1
19	783-04714	Plate, Latch	1
20	783-04717	Bracket, Latch Pivot	1
21	783-04724	Bracket, Upper Pivot	2
22	783-04725	Bracket, Hood Pivot	2

---

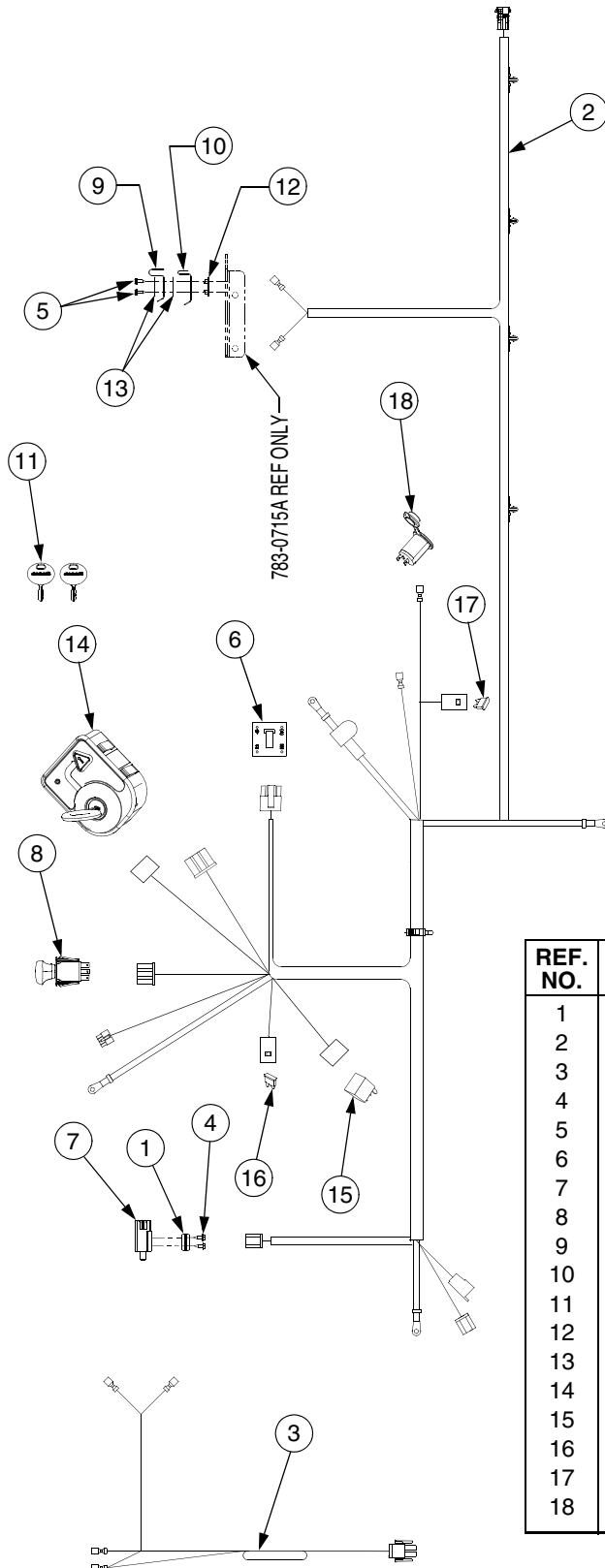
## POWER TAKE-OFF (PTO) SYSTEM



REF. NO.	PART NUMBER	DESCRIPTION	QTY.
1	710-0726	Screw, Hex Wash Hd Tapp, 5/16-12 x .75	3
2	710-0859	Screw, Hex Cap, 3/8-16 x 2.5 GR5	1
3	710-3157A	Screw, Hex Lock, 7/16-20 x 3.25 GR5	1
4	712-04065	Nut, Flange Insert Lock, 3/8-16 GrF	1
5	717-1774B	Clutch, Electric PTO	1
6	736-0277	Washer, Flat 1.031 x 1.62 x .095	1
7	748-0415B	Spacer, 3/8 x .635 x 1.54	1
8	756-0978A	Pulley,	1
9	783-04419A	Bracket, Clutch	1
10	783-04467	Bracket, Deck Up Stop	1

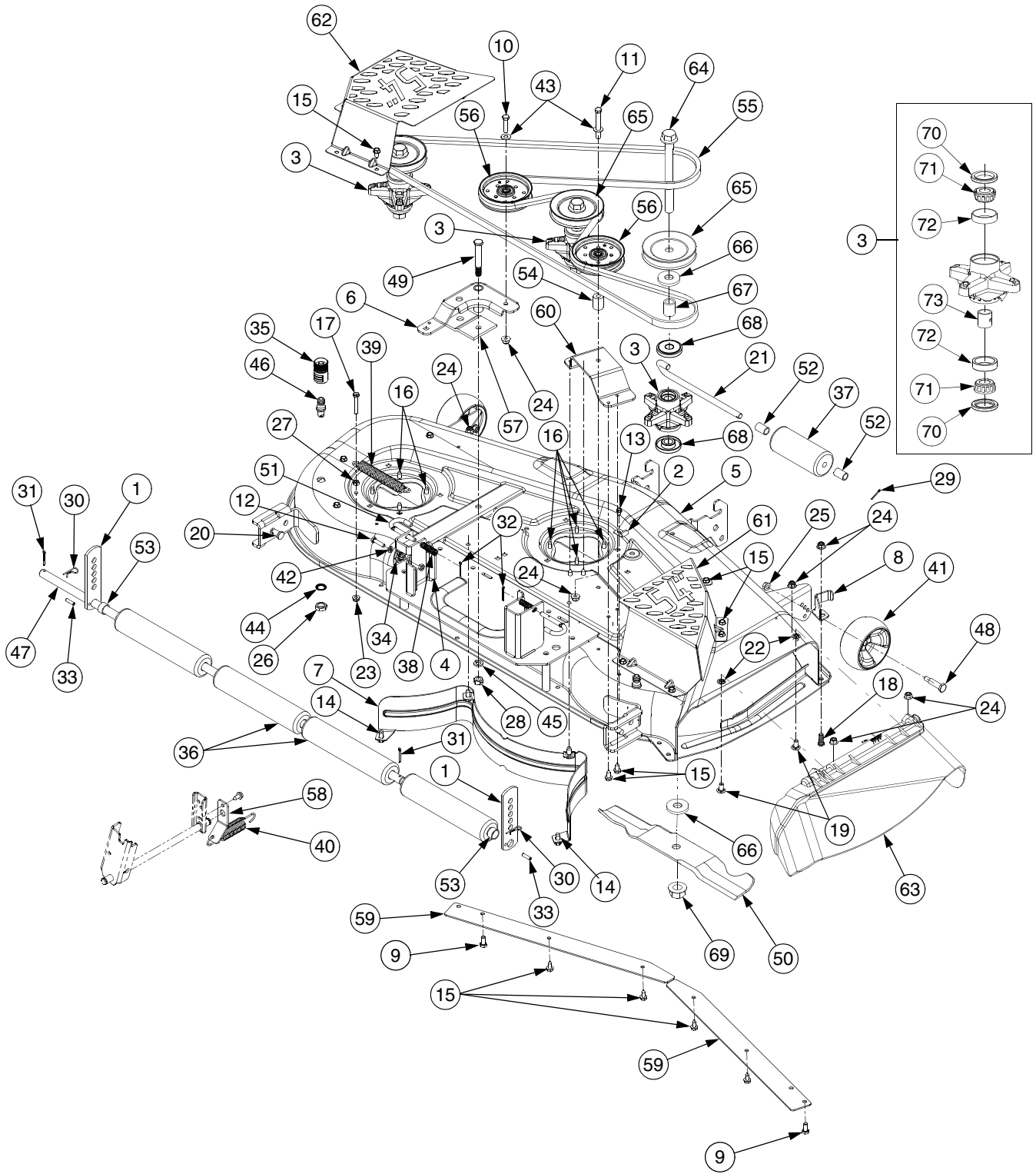


## ELECTRICAL SYSTEM



REF. NO.	PART NUMBER	DESCRIPTION	QTY.
1	17962	Plate, Switch	1
2	629-04139	Harness Assembly	1
3	629-04142	Harness Assembly, Headlight	1
4	710-0224	Screw, Hx. Wash. Hd. Tapp, 10-16 x .5	2
5	710-0227	Screw, Hx. Wash. Hd. Tapp, 8-18 x .5	2
6	725-04022	Indicator/ Meter Hour	1
7	725-04039	Switch, Interlock	1
8	725-04175	Switch, Electric PTO, Yellow Knob	1
9	725-1303	Switch, Outer Seat Spring	1
10	725-1439	Switch, Inner Seat Spring	1
11	725-2054	Key, Switch, Plastic	2
12	726-0278	Plate, Insulator Boss	1
13	726-0279	Plate, Insulator	2
14	725-04227	Switch, Key/Module	1
15	725-1648	Relay	1
16	725-1381	Fuse, 20 Amp	1
17	725-04008	Fuse, 5 Amp	1
18	725-2003	Receptacle, Power 12V	1

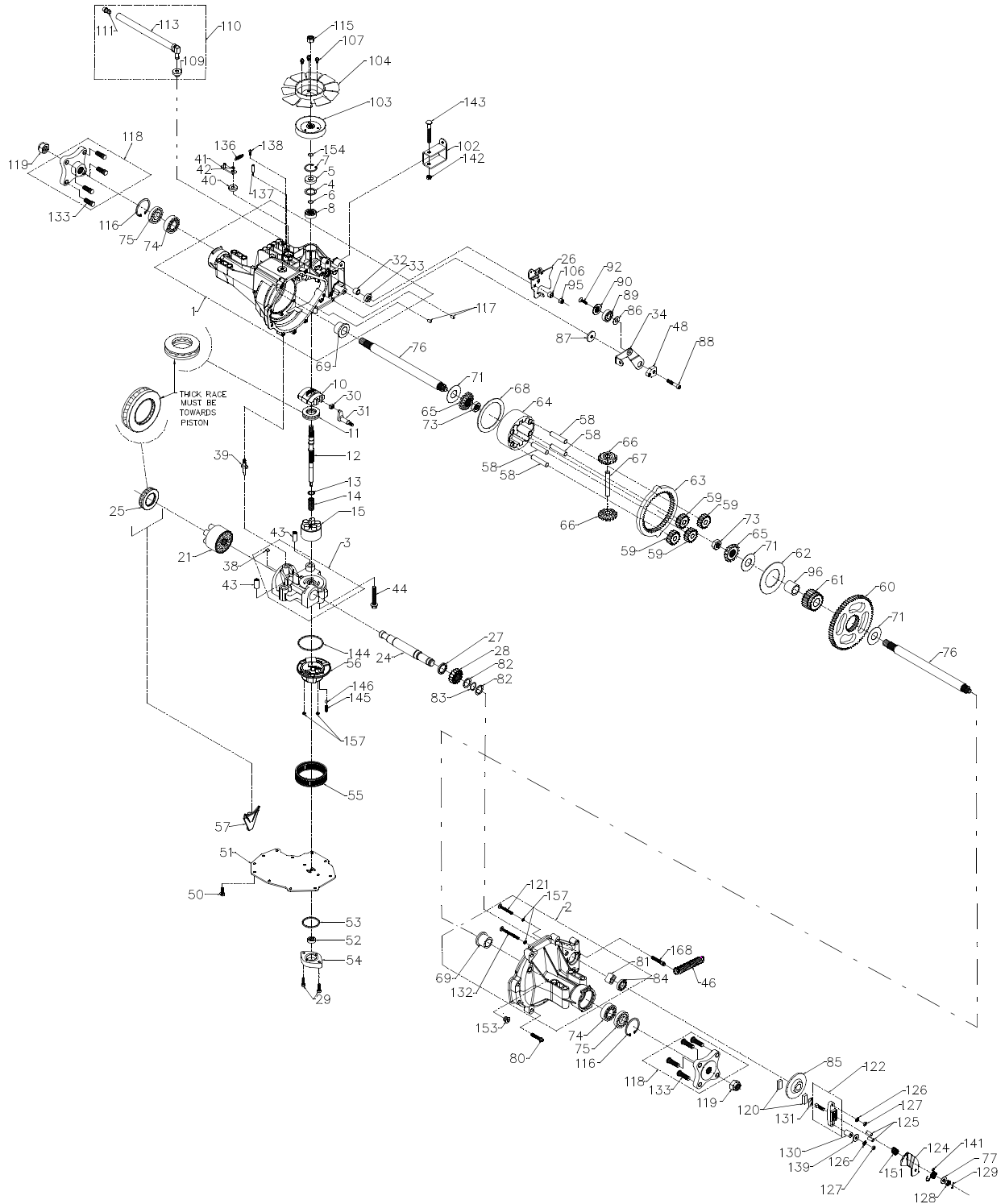
### 54 INCH MOWER DECK



**54 INCH MOWER DECK**

REF. NO.	PART NUMBER	DESCRIPTION	QTY.	REF. NO.	PART NUMBER	DESCRIPTION	QTY.
1	12650	Bracket, Height Adjustment	22	36	731-0335	Roller, Deck	4
2	16606	Bracket, Hook, Retainer	1	37	731-3005	Front Roller	1
3	918-04217	Housing Ass'y., Spindle	3	38	732-0306A	Spring, Compression, .531 x 1.75 Lg	2
	737-3000	Fitting, Lube, 3/16 Drive	3	39	732-0459B	Spring, Extension, .94 x 6.74	1
4	683-0254B	Bracket, Deck Hanger, LH	1	40	732-0934	Spring, Extension, 1.15 x 5.99	1
5	683-04113A	Deck Housing Ass'y.	1	41	734-04039	Wheel, Gauge	2
	777S30015	Graphic, Danger	1	42	736-0119	Washer, Lock, 5/16, Regular Duty	1
	777S30503	Graphic, Danger	1	43	736-0300	Washer, Flat, 0406 x .875 x .059	2
	777I22265	Graphic, Belt Routing	1	44	736-0760	Washer, Lock	2
	777D08336	Graphic, Deck Wash	1	45	736-0921	Washer, Lock , 1/2	1
	777D07875	Graphic, 54 Inch	1	46	737-04003B	Nozzle, Deck Wash	2
6	683-0459	Arm, Idler	1	47	738-0295	Shaft, .75 x 47.12	1
7	703-2093	Baffle, Rear Inner	1	48	738-0373	Shoulder Screw, .498 x 1.53:3/8-16	2
8	703-3279	Bracket, Chute Stop	1	49	738-1229A	Shoulder Screw, .625 x 2.5:1/2-13	1
9	710-0216	Screw, Hex Cap, 3/8-16 x .75 GR5	2	50	759-3820	Blade, Hi-Lift Mower, 18.5	3
10	710-0520	Screw, Hex Cap, 3/8-16 x 1.5 GR5	1	51	747-1116	Rod, Handle, Deck Release .375 Dia	2
11	710-0521	Screw, Hex Cap, 3/8-16 x 3.0 GR8	1	52	750-0151	Spacer, .55 x .755 x 1.1	2
12	710-0528	Screw, 5/16-18, 1.25, Gr5	1	53	750-0212	Spacer, .82 x 1.0 x .53	2
13	710-0599	Screw, Hx. Wash. Hd. Tapp 1/4-20 x .5	1	54	750-0748	Spacer, 3/8 x 1.0 x 1.25	1
14	710-0623	Screw, Hx. Wash. Hd. Tapp, 3/8-16 x .75	4	55	754-04083	Belt, V, B Sect 136.0	1
15	710-0726	Screw, Hx. Wash. Hd. Tapp, 5/16-12 x .75	19	56	756-04129	Pulley, Idler, 4.25 Dia.	2
16	710-1260A	Screw, Hex Wash. Hd Tapp 5/16-18 x .75	12	57	783-04013A	Bracket, Pulley Stabilizer	1
17	710-3103	Screw, Hex Cap, 5/16-18 x 2.0 Gr5	1	58	783-04462	Bracket, Lift	1
18	710-04095	Screw, Spec. Hex Cap, 3/8-16 x 1.0	1	59	783-04690	Skirt, Deck	2
19	710-3178	Screw, Carriage, 3/8-16 x .75	2	60	783-04726	Bracket, Idler Pulley	1
20	711-0332	Pin, Clevis, .5 x .78	2	61	783-1470	Cover, Spindle RH	1
21	711-1737	Roller Pin 1/2" x 10.06 Lg	1	62	783-1471	Cover, Spindle LH	1
22	712-0229	Nut, Push, 3/8	2	63	631-04070	Chute Assembly	1
23	712-04063	Nut, Flange Insert Lock, 5/16-18, GrF	1		711-1762	Pin, Hinge, .375 Dia x 14.06	1
24	712-04065	Nut, Flange Insert Lock, 3/8-16, GrF	7		732-3070	Spring, Torsion	1
25	712-0431	Nut, Hx. Flange Lock, 3/8-16 GrF	2		783-04470	Bracket, Mounting	1
26	712-0641	Nut, Hex, M16-1.5	2		777S30145	Graphic, Danger	1
27	712-3010	Nut, Hex, 5/16-18 GR5	1	64	710-04224	Bolt, Spindle, 3/4-16 x 7.16	3
28	712-3022	Nut, Hex Lock, 1/2-13 GrB	1	65	756-3096	Pulley, Spindle	3
29	714-0111	Pin, Cotter, 3/32 x 1.0	1	66	748-3101	Spacer, Blade	6
30	714-0145	Pin, Internal Cotter	2	67	750-0952	Spacer, .792 x 1.06 x 1.8	3
31	714-0162	Pin, Cotter, 5/32 x 1.25	2	68	748-3065A	Spacer, Deck Spindle	6
32	714-0470	Pin, Cotter, 1/8 x 1.25	2	69	712-3078	Nut, Hex Flange, 3/4-16	3
33	715-0108	Pin, Spring, 1/4 x 1.0	2	70	721-3018A	Seal, Oil, Single Lip	6
34	717-04074	Gear, Deck Adjustment	1	71	741-04129	Bearing, Cone	6
35	721-04041	Adapter, Water Nozzle	1	72	741-04130	Cup, Bearing	6
				73	750-3190A	Spacer, Bearing, .780 x 1.000 x	3

# HYDROSTATIC TRANSMISSION



## HYDROSTATIC TRANSMISSION

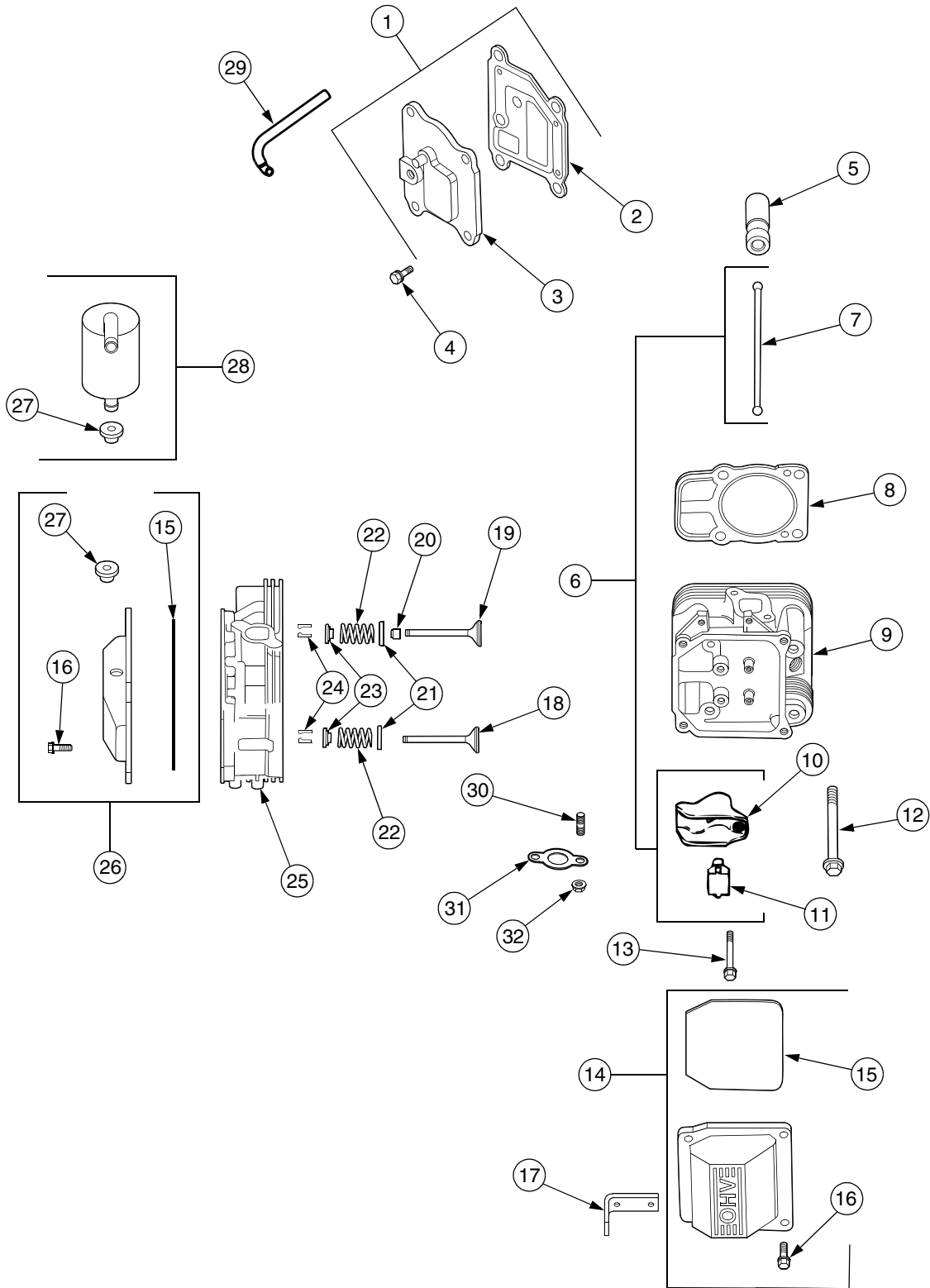
REF. NO.	PART NUMBER	DESCRIPTION	QTY.	REF. NO.	PART NUMBER	DESCRIPTION	QTY.
1	HG-70297	Main Housing, Assembly	1	77	HG-44130	Washer	1
2	HG-70298	Housing, Assembly, RH	1	80	HG-50868	Torx Head Screw, 5/16-18	8
3	HG-70683	Center Section, Assembly	1	81	HG-44752	Needle Bearing	1
4	HG-2003018	Spacer	1	82	HG-50777	Washer	2
5	HG-900800-0128	Seal, Lip	1	83	HG-50775	Retaining Ring	1
6	HG-2003016	Wire Retaining Ring	1	84	HG-50773	Lip Seal	1
7	HG-2003052	Retaining Ring	1	85	HG-50779	Brake Disk	1
8	HG-2003043	Ball Bearing	1	86	HG-50132	Washer, .5 x 1.0 x .03	1
10	HG-2003087	Variable Swashplate	1	87	HG-50836	Washer	1
11	HG-50551	Thrust Bearing	1	88	HG-50837	Screw, 5/16-24 x 1-1/2	1
12	HG-50795	Input Shaft	1	89	HG-44147	Ball Bearing .62 ID x 1.38 x .44	1
13	HG-2003017	Block Thrust Washer	1	90	HG-51200	Spacer, Locating	1
14	HG-2003014	Block Spring	1	92	HG-50870	Countersunk Screw	1
15	HG-70331	10cc Cylinder Block Assembly	1	95	HG-50108	Hex Lock Nut, 5/16-24	1
21	HG-70082	21cc Cylinder Block Assembly	1	96	HG-50866	Sleeve Bearing	1
24	HG-50662	Output (Motor) Shaft	1	102	HG-50813	Torque Bracket	1
25	HG-50552	Thrust Bearing	1	103	HG-50818	Pulley	1
26	HG-51125	Control Arm	1	104	HG-50848	Fan	1
27	HG-50774	Spacer	1	106	HG-50850	Spacer, Trunnion	1
28	HG-50661	16T Pinion Gear	1	107	HG-50851	Screw	3
29	HG-50975	Capscrew, M6 x 1-25	2	109	HG-50133	Bushing, Rubber	1
30	HG-2000015	Slot Guide	1	110	HG-70302	Fitting Kit	1
31	HG-50807	Trunnion Arm	1	111	HG-70109	Cap, Vent Assembly	1
32	HG-2003009	Trunnion Bushing	1	113	HG-70301	Hose/Fitting Assembly	1
33	HG-9008000-0126	Lip Seal	1	115	HG-44133	Hex Nut, 1/2-20	1
34	HG-51127	Return Arm	1	116	HG-50859	Retaining Ring	2
38	HG-70680	Kit, Bypass Plate	1	117	HG-9004800-2506	Std. Hdls. Pin	2
39	HG-2003555	Bypass Actuator	1	118	HG-70276	Hub Assembly	2
40	HG-45074	Lip Seal	1	119	HG-50863	Nut, Hex, 3/4-16	2
41	HG-50270	Bypass Arm	1	120	HG-44132	Puck, Brake	2
42	HG-44870	Retaining Ring	1	121	HG-50874	Rib Neck Bolt, 2"	1
43	HG-50002	Pin	2	122	HG-70633	Yoke, Brake Assembly	1
44	HG-50016	Screw	3	124	HG-50936	Arm, Brake	1
46	HG-51153	Return Spring	1	125	HG-44127	Pin, Brake	2
48	HG-51097	Adjusting Puck	1	126		Lockwasher, 1/4	2
50	HG-50752	Screw, 1/4-20 x .75	11	127		Nut, 1/4-20	2
51	HG-50972	Lower Cover	1	128	HG-44142	Nut, Castle	1
52	HG-50273	Gerotor Assembly	1	129	HG-44101	Cotter Pin	1
53	HG-9004101-1340	Base, Filter	1	130	HG-23711	Spacer	1
54	HG-50260	Gerotor Cover	1	131	HG-44134	Puck Plate	1
55	HG-70538	Kit, Filter	1	132	HG-50865	Rib Neck Bolt, 3"	1
56	HG-51156	Charge Manifold	1	133	HG-50869	Wheel Stud, 7/16-14	8
57	HG-50796	Retainer, Motor Bearing	1	136	HG-50384	Extension Spring	1
58	HG-50776	Pin, Carrier	4	137	HG-50882	Spring Pin	1
59	HG-50763	15T Planet Gear	4	138	HG-50653	Screw	1
60	HG-50646	67T Spur Gear	1	139	HG-44278	Washer, 7/8 x .265 x .125	1
61	HG-50645	21T Sun Gear	1	141	HG-50884	Spring, Brake Arm Bias	1
62	HG-50769	Planet Thrust Plate	1	142		Hex Lock Nut, 5/16-18	1
63	HG-50764	51T Ring Gear	1	143		Bolt, 5/16-18 x 2.5	1
64	HG-50765	Planetary Carrier	1	144	HG-50974	O-Ring	1
65	HG-50647	Miter Gear, Diff. (Splined)	2	145	HG-51157	Spring, Relief	1
66	HG-50648	Miter Gear, Diff.	2	146	HG-9001214-4400	Ball	1
67	HG-50766	Shaft, Differential	1	151	HG-50919	Comp. Spring, Brake Anti-Drag	1
68	HG-50767	Differential Thrust Plate	1	153	HG-9005110-5600	Plug	1
69	HG-50768	Flange Bearing	2	154	HG-50920	Wire Retaining Ring	1
71	HG-50788	Washer, 1.0 x 2.25 x .04	3	157	HG-50977	O-Ring	4
73	HG-50791	Hex Jam Nut, 5/8-18	2	168	HG-51151	Shouldered Torx Hd. Screw, 5/16-18	1
74	HG-50771	Ball Bearing	2		HG-50928	Sealant	1
75	HG-50772	Seal, 1" ID x 2.0472 x .375	2		HG-70492	Kit, Seal	1
76	HG-50825	Shaft, Axle	2			122 Oz. Oil- 20W50	



## ENGINE CRANKCASE

REF. NO.	PART NUMBER	DESCRIPTION	QTY.
	KH-CV740-0026	Complete Engine	1
1	KH-24-014-42	Crankshaft	1
2	KH-52-139-09	Plug, Cup	2
3	KH-24-032-01	Seal, Front Oil	1
4	KH-24-782-23	Crankcase, (Use Miniblock)	1
5	KH-24-294-13	Fitting	1
6	KH-24-380-13-S	Pin, Locating Dowel	6
7	KH-24-067-13	Rod, Connecting, Std	2
	KH-24-067-14	Rod, Connection, .010 / .25mm	2
8	KH-24-874-08-S	Piston w/Ring Set, Std	2
	KH-24-874-20-S	Piston w/Ring Set, .010 / .25mm	2
	KH-24-874-21-S	Piston w/Ring Set, .020 / .50mm	2
	KH-24-874-16-S	Piston w/Ring Set, .08mm	2
9	KH-24-108-04-S	Ring Set, Std., .08	2
10	KH-24-018-01	Retainer, Piston Pin	4
11	KH-12-422-09	Shim, Camshaft, .0320 (Red)	AR
	KH-12-422-13	Shim, Camshaft, .0400 (Black)	AR
	KH-12-422-07	Shim, Camshaft, .0280 (White)	AR
	KH-12-422-08	Shim, Camshaft, .0300 (Blue)	AR
	KH-12-422-10	Shim, Camshaft, .0340 (Yellow)	AR
	KH-12-422-11	Shim, Camshaft, .0360 (Green)	AR
	KH-12-422-12	Shim, Camshaft, .0380 (Gray)	AR
12	KH-24-012-18-S	Camshaft Assembly	1
13	KH-M-0545010	Screw, Hex Flng, M5 x 0.8 x 10	1
14	KH-24-018-04	Retainer, Breather Reed	1
15	KH-24-402-05-S	Reed, Breather	1
16	KH-12-153-01-S	O-Ring	1
17	KH-24-126-19	Bracket, Oil Fill Tube	1
18	KH-12-123-04	Tube, Oil Fill	1
19	KH-M-0545016-S	Screw, Hex Flange, M5 x .8 x 16	1
20	KH-12-153-02-S	O-Ring, Upper Oil Fill Tube	1
21	KH-24-038-04-S	Dipstick Assembly	1
22	KH-24-755-46	Kit, Oil Fill Cap	1
23	KH-25-153-02-S	O-Ring, Dipstick	1
24	KH-24-018-09-S	Ring, Retainer	1
25	KH-M-931010-S	Washer, Nylon	1
26	KH-28-032-09-S	Seal, Governor Cross Shaft	1
27	KH-24-468-15-S	Washer, Plain	1
28	KH-24-144-38-S	Shaft, Governor Cross	1
	KH-24-755-113-S	Gasket Set	1

# HEAD/VALVE/BREATHER





---

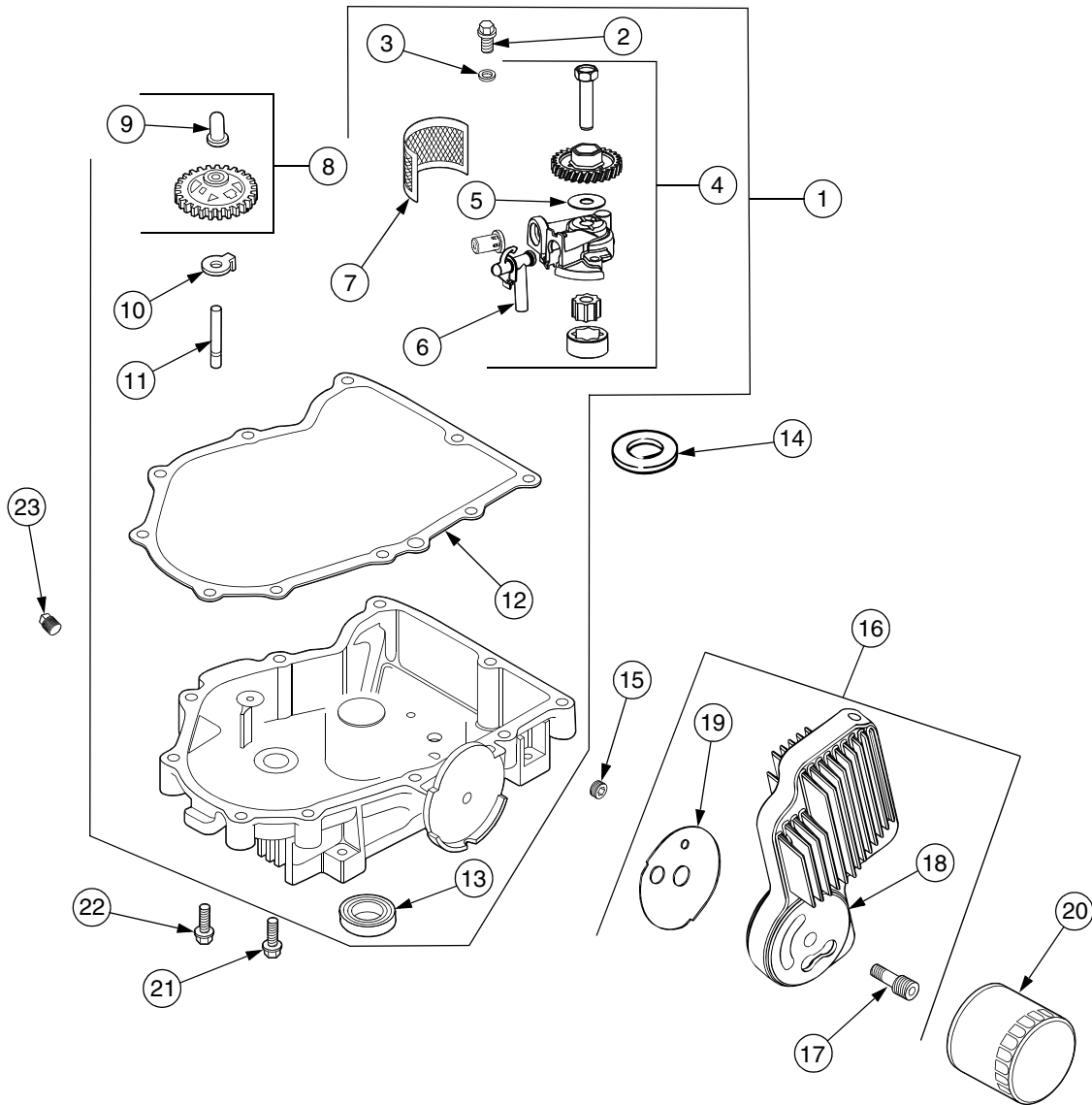
**HEAD/VALVE/BREATHER**

<b>REF. NO.</b>	<b>PART NUMBER</b>	<b>DESCRIPTION</b>	<b>QTY.</b>
1	KH-24-033-03	Kit, Breather Cover	1
2	KH-24-041-51-S	Gasket, Breather	1
3	KH-24-096-87-S	Cover, Breather	1
4	KH-M-645020-S	Screw, Hx Flange, M6-1.0 x 20	4
5	KH-25-351-01	Lifter, Valve	4
6	KH-24-755-66	Kit, Valve Train	1
7	KH-24-411-05	Rod, Push	4
8	KH-24-841-03-S	Kit, Cylinder Hd Gasket (Includes Head Mtg. Hardware)	2
9	KH-24-318-72-S	Head Assembly, #2 Cylinder	1
10	KH-25-186-01	Arm, Rocker	4
11	KH-24-599-01	Pivot, Rocker Arm	4
12	KH-12-086-16	Screw, Hex Flange	8
13	KH-66-086-07-S	Screw, Hex Flange, M6-1.0 x 34	4
14	KH-24-755-141-S	Kit, Valve Cover	1
15	KH-24-153-28-S	O-Ring	1
16	KH-M-651030-S	Screw, Hex Flange, M6-1.0 x 30	4
17	KH-24-445-01	Strap, Lifting	1
18	KH-24-016-01	Valve, Exhaust, Std	2
	KH-24-016-02	Valve, Exhaust, .010 (25mm)	2
19	KH-24-017-01	Valve, Intake, Std.	2
	KH-24-017-02	Valve, Intake, .010 (25mm)	2
20	KH-66-032-05-S	Seal, Valve Stem	2
21	KH-235011-S	Retainer, Spring	4
22	KH-24-089-02	Spring, Valve	4
23	KH-12-173-01	Cap, Valve Spring	4
24	KH-12-755-03	Kit, Retainer	4
25	KH-24-318-69-S	Head, Cylinder, #1	1
26	KH-24-755-142-S	Kit, Valve Cover	1
27	KH-25-313-03-S	Grommet, Rubber	1
28	KH-24-755-57-S	Kit, Breather Separator	1
29	KH-24-326-74-S	Hose, Breather	1
30	KH-25-072-04	Stud, M8-1.25 x 33	4
31	KH-24-041-49-S	Gasket, Exhaust	2
32	KH-M-0841080	Nut, Muffler Mtg., M8-1.25	4
†	KH-24-755-147-S	Kit, Cylinder Head Hardware	1

† NOT SHOWN

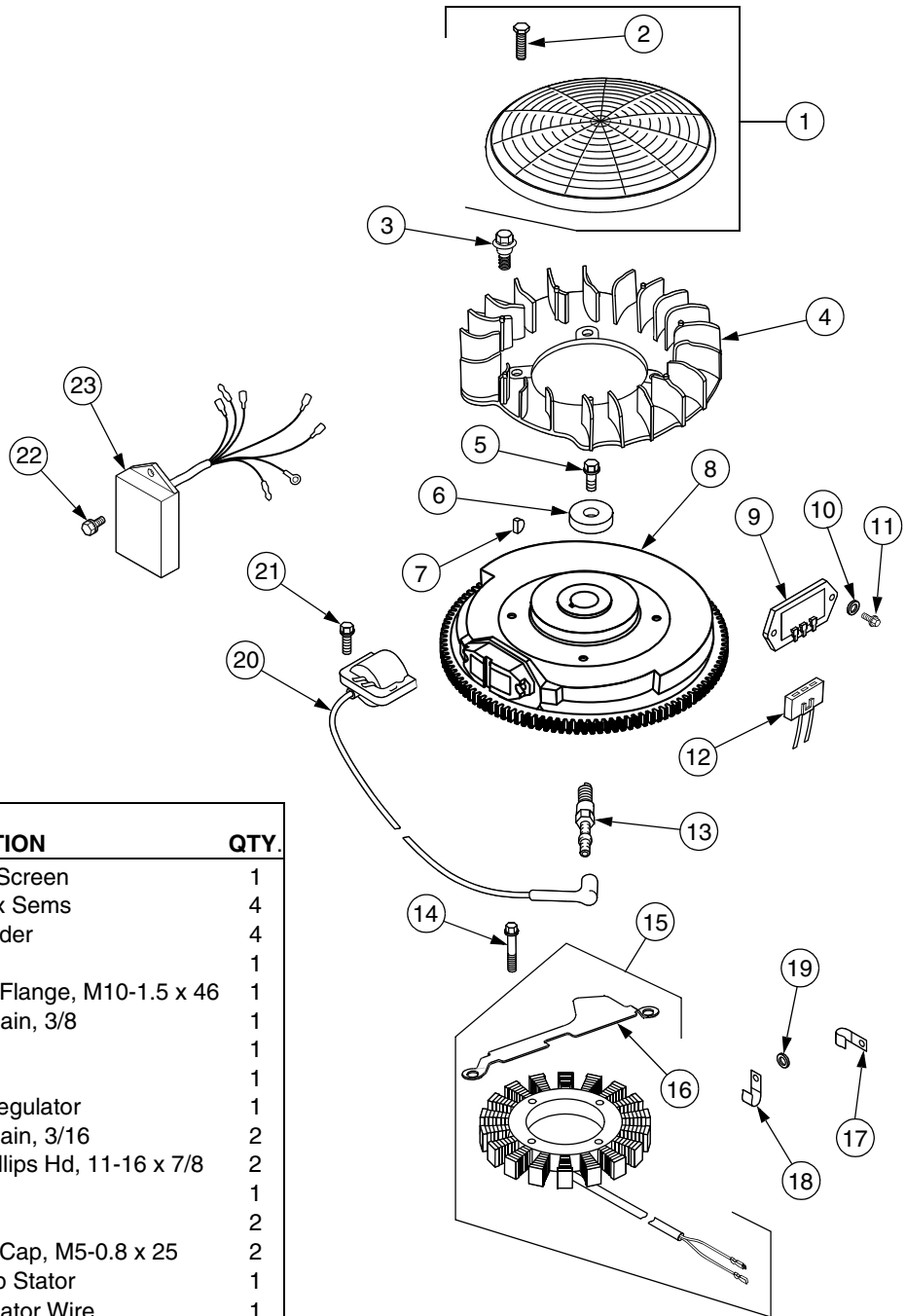
---

### OIL PAN/LUBRICATION



REF. NO.	PART NUMBER	DESCRIPTION	QTY.	REF. NO.	PART NUMBER	DESCRIPTION	QTY.
1	KH-24-199-21-S	Kit, Oil Pan, Includes 2-13	1	13	KH-52-032-08	Seal, Oil	1
2	KH-M-645025-S	Screw, Hx Flange, M6 -1.0 x 25	2	14	KH-24-422-03-S	Shim, Thrust	1
3	KH-M-631005	Washer, 6mm	2	15	KH-25-139-62-S	Plug, 3/8 Hex Ctsk	1
4	KH-24-393-37-S	Oil Pump Ass'y., Includes 5,6	1	16	KH-24-755-52	Kit, Oil Cooler	1
5	KH-24-153-01	O-Ring,	1	17	KH-24-136-05-S	Nipple, Oil Filter	1
6	KH-24-381-11-S	Tube, Oil Pick-up	1	18	KH-24-594-24-S	Cooler, Oil	1
7	KH-24-162-26-S	Screen, Oil	1	19	KH-24-041-29	Gasket, Oil Filter Adapter	1
8	KH-24-043-12	Kit, Governor Gear	1	20	KH-12-050-08	Filter, Oil	1
9	KH-12-380-01	Pin, Governor Regulating	1	21	KH-24-086-16	Screw, Hx Flange, M8-1.25 x 45	9
10	KH-24-448-02-S	Tab, Locking	1	22	KH-24-086-17	Screw, Hx Flange, M8-1.25 x 45	1
11	KH-12-144-02	Shaft, Governor Gear	1	23	KH-25-139-57-S	Plug, Pipe, 3/8	1
12	KH-24-041-54-S	Gasket, Oil Pan	1				

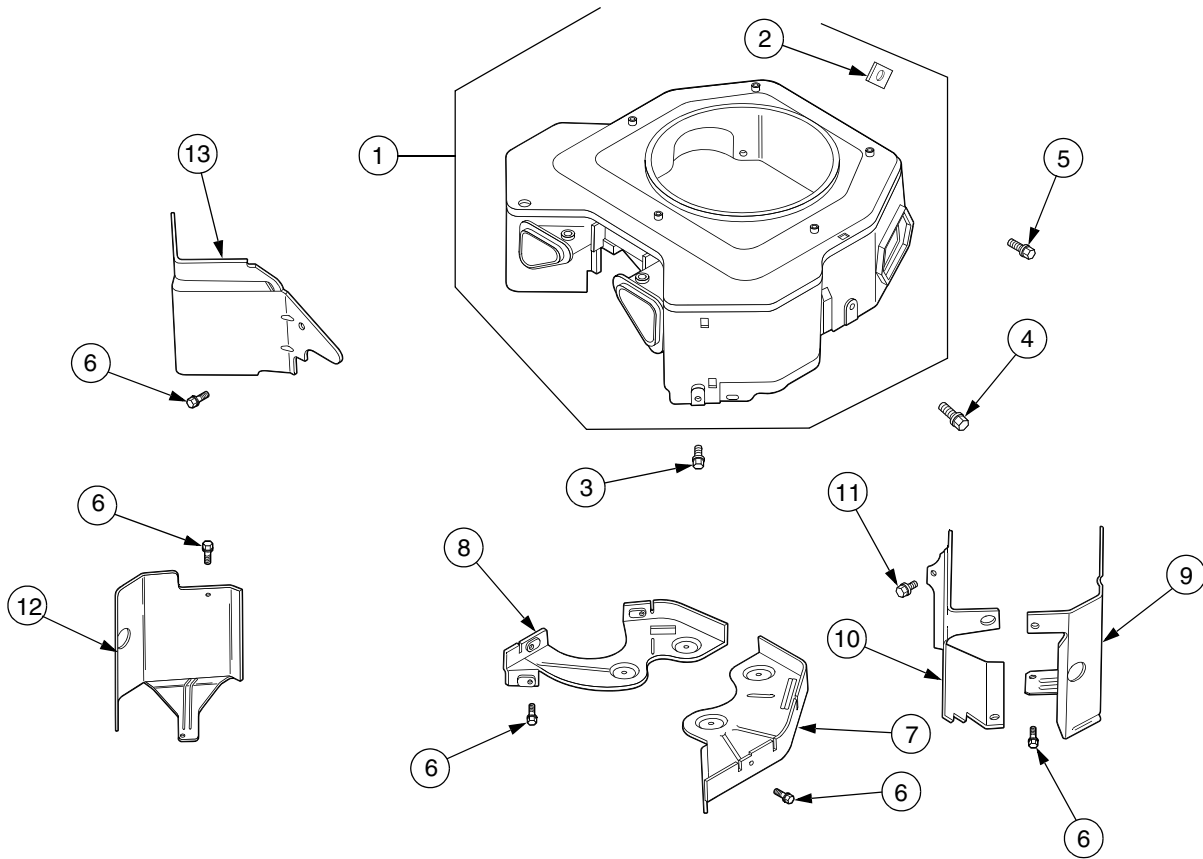
IGNITION/ELECTRICAL



REF. NO.	PART NUMBER	DESCRIPTION	QTY.
1	KH-24-755-79	Kit, Grass Screen	1
2	KH-25-086-117-S	Screw, Hex Sems	4
3	KH-25-086-47	Bolt, Shoulder	4
4	KH-24-157-08-S	Fan	1
5	KH-12-086-14	Screw, Hx Flange, M10-1.5 x 46	1
6	KH-12-468-03	Washer, Plain, 3/8	1
7	KH-X-42-15	Key	1
8	KH-24-025-15-S	Flywheel	1
9	KH-41-403-09	Rectifier-Regulator	1
10	KH-X-25-92	Washer, Plain, 3/16	2
11	KH-24-086-18	Screw, Phillips Hd, 11-16 x 7/8	2
12	KH-236602-S	Connector	1
13	759-3336	Spark Plug	2
14	KH-M-548025-S	Screw, Hx Cap, M5-0.8 x 25	2
15	KH-54-755-09-S	Kit, 15 Amp Stator	1
16	KH-24-126-139-S	Bracket, Stator Wire	1
17	KH-47-154-01	Clip, Cable	2
18	KH-48-154-02	Clip, Cable	1
19	KH-X-25-63	Washer, Plain, 1/4	1
20	KH-24-584-36-S	Module, Ignition	2
21	KH-M-0545020	Screw, Hx Flange, M5-0.8 x 20	4
22	KH-24-584-31-S	Module, Speed Advance	1
23	KH-M-448010	Screw, M4 x 0.7 x 10	2
†	KH-24-176-81-S	Harness, Wire	1
†	KH-24-126-137-S	Bracket, Ground Strap	1
†	KH-25-454-03-S	Tie, Wire	3

† NOT SHOWN

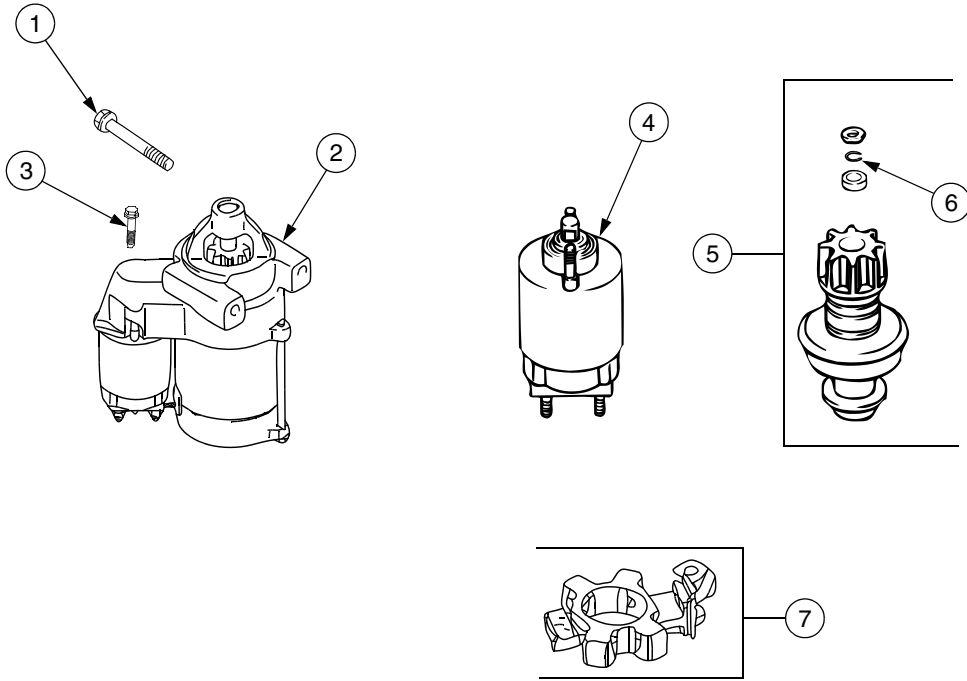
## BLOWER HOUSING



REF. NO.	PART NUMBER	DESCRIPTION	QTY.
1	KH-24-027-114-S	Housing, Blower	1
2	KH-24-100-01	Nut, Plastic	2
3	KH-M-0545020	Screw, Hx Flange, M5-0.8 x 20	4
4	KH-M-545016-S	Screw, Hx Flange, M5-0.8 x 16	2
5	KH-M-551016-S	Screw, Hx Flange, M5-0.8 x 16	1
6	KH-M-645016-S	Screw, Hx Flange, M6-1.0 x 16	6
7	KH-24-146-18-S	Plate, Backing, #2 Side	1
8	KH-24-146-20-S	Plate, Backing, #1 Side	1
9	KH-24-063-39-S	Baffle, Cylinder Barrel, #2 Side	1
10	KH-24-063-69-S	Baffle, Valley, #2 Side	1
11	KH-M-545010	Screw, Hx Flange, M5-0.8 x 10	2
12	KH-24-063-58-S	Baffle, Cylinder Barrel, #1 Side	1
13	KH-24-063-60-S	Baffle Valley, #1 Side	1
†	KH-24-096-85-S	Cover, Blower Housing	1
†	KH-25-086-91-S	Screw, Tapping	1

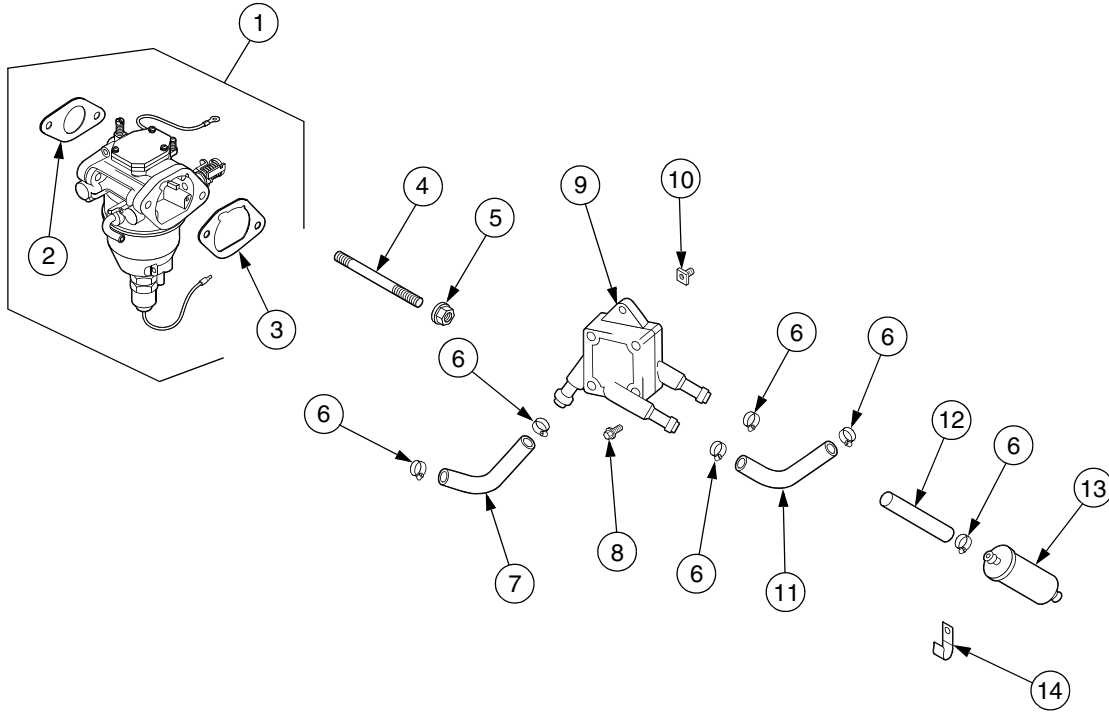
† NOT SHOWN

# STARTER



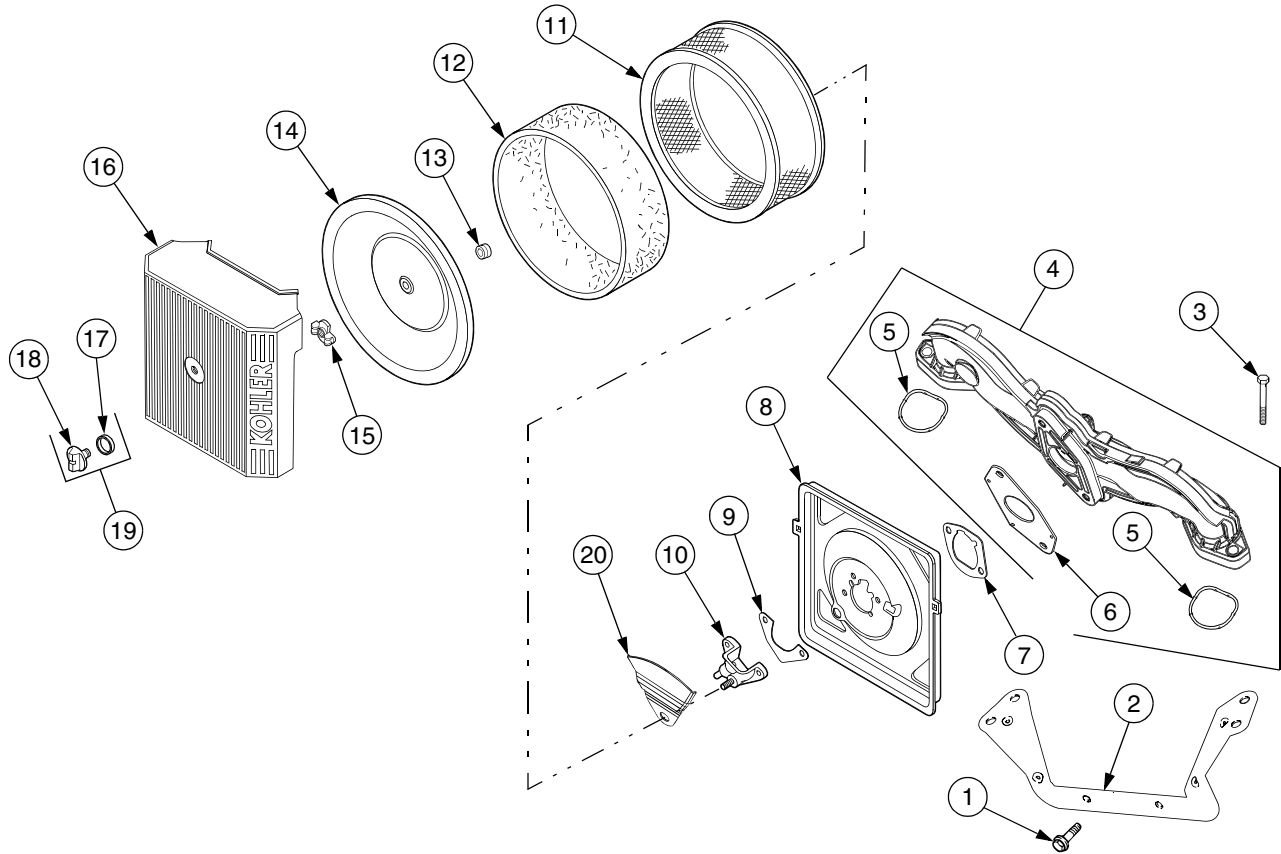
REF. NO.	PART NUMBER	DESCRIPTION	QTY.
1	KH-M-839080-S	Screw, Hx Flange, M8-1.25 x 80	2
2	KH-25-098-09-S	Starter, Solenoid Shift	1
3	KH-25-086-113-S	Screw, Torx Hd	3
4	KH-25-435-05-S	Kit, Solenoid	1
5	KH-25-755-33-S	Kit, Starter Pinion	1
6	KH-25-141-05-S	Ring	1
7	KH-25-221-01-S	Kit, Brush	1

## CARBURETOR/FUEL SYSTEM



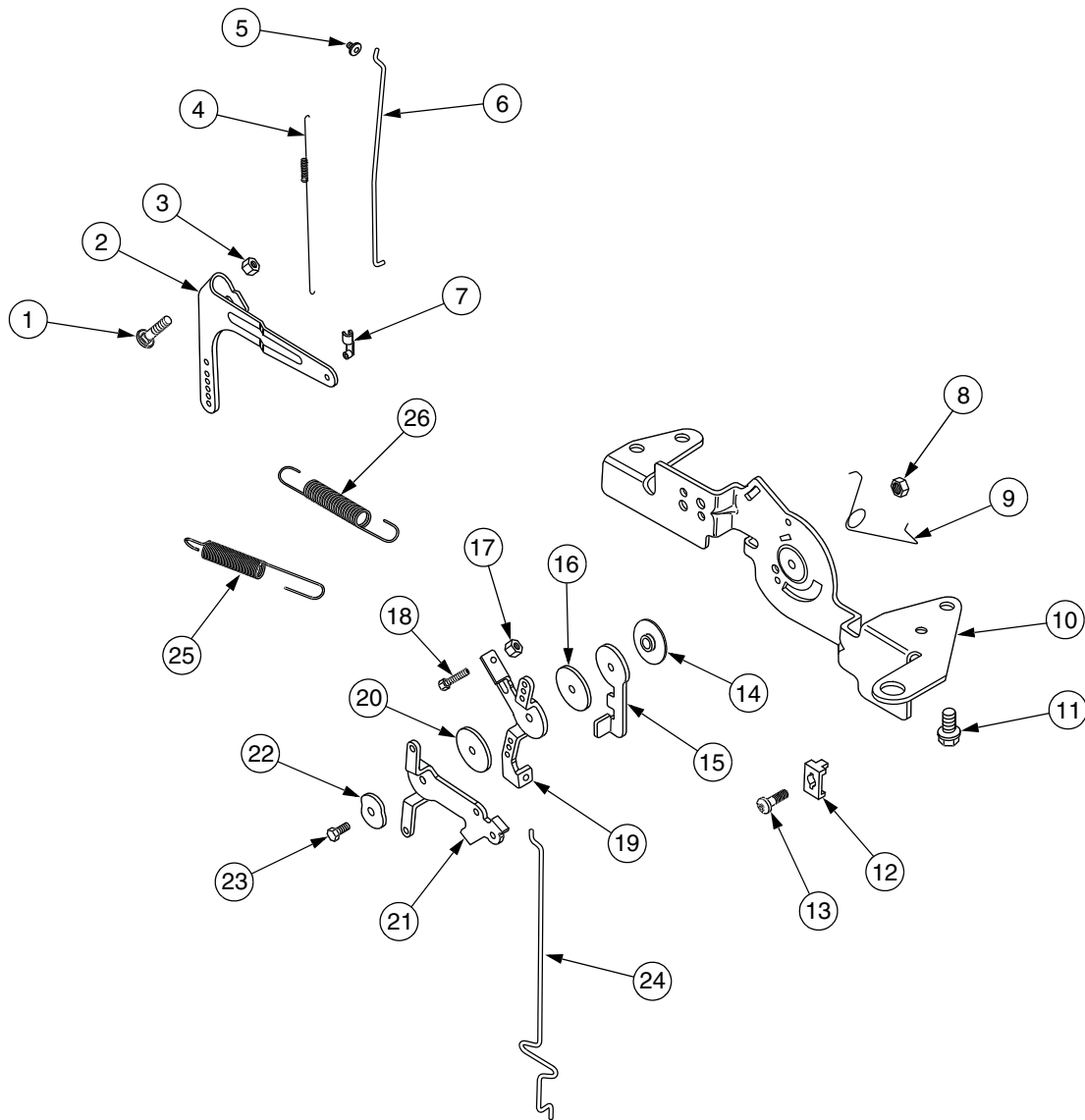
REF. NO.	PART NUMBER	DESCRIPTION	QTY.
1	KH-24-853-102-S	Kit, Carburetor w/Gaskets	1
2	KH-24-041-52-S	Gasket, Carburetor	1
3	KH-24-041-14	Gasket, Air Cleaner Base	1
4	KH-M-629095-S	Stud, Intake Manifold	2
5	KH-M-641060-S	Nut, Hex Flange, M6-1.0	2
6	KH-25-237-14-S	Clamp, Hose	6
7	KH-24-353-12	Line, Fuel, 11"	1
8	KH-24-086-12	Screw, Hex Cap, M6-1.7 x 18	2
9	KH-24-393-16	Pump, Pulse Fuel	1
10	KH-24-100-01	Nut, Plastic	2
11	KH-15-353-04	Line, Fuel, 11-1/2"	1
12	KH-25-353-03-S	Line, Fuel, 13-3/4"	2
13	KH-24-050-10-S	Filter, Fuel	1
14	KH-47-154-01-S	Clip, Cable	1
		<b>NOT SHOWN</b>	
	KH-25-153-05-S	O-Ring, Heavy Duty Air Cleaner	1
	KH-24-234-02-S	Chamber, Float	1
	KH-24-431-01-S	Sleeve, Insulating	1
	KH-24-757-18-S	Kit, Overhaul w/Gaskets	1
	KH-24-757-19	Kit, Choke Repair w/Gaskets	1
	KH-24-757-20	Kit, Gasket	1
	KH-24-757-21-S	Kit, Accelerator Pump, w/Gaskets	1
	KH-24-757-22	Kit, Solenoid, w/Gaskets	1

## AIR INTAKE/FILTRATION



REF. NO.	PART NUMBER	DESCRIPTION	QTY.
1	KH-M-0545010	Screw, Hx Flange, M5-0.8 x 10	2
2	KH-24-126-130-S	Bracket, Air Cleaner Base	1
3	KH-M-651040-S	Screw, Hx Flange, M6-1.0 x 40	4
4	KH-24-164-51-S	Manifold, Intake	1
5	KH-24-153-27-S	O-Ring, Intake Port	2
6	KH-24-041-52-S	Gasket, Intake Manifold	1
7	KH-24-041-14	Gasket, Air Cleaner Base	1
8	KH-24-094-34-S	Base, Air Cleaner	1
9	KH-24-041-13-S	Gasket, Fuel Spit-back Cup	1
10	KH-24-109-25-S	Cup, Spit-back w/Stud	1
11	KH-24-083-03-S	Element, Air Cleaner	1
12	KH-24-083-05-S	Element, Precleaner	1
13	KH-231032	Seal, Breather	1
14	KH-24-096-01	Cover, Inner Air Cleaner	1
15	KH-12-100-01	Nut, Wing	1
16	KH-24-096-67-S	Cover, Air Cleaner	1
17	KH-54-755-01-S	Kit, Knob w/Seal	1
18	KH-24-153-20-S	O-Ring	1
19	KH-25-341-04-S	Knob, Cover	1
20	KH-24-063-51-S	Baffle, Fuel Spit-back	1

## ENGINE CONTROLS



REF. NO.	PART NUMBER	DESCRIPTION	QTY.	REF. NO.	PART NUMBER	DESCRIPTION	QTY.
1	KH-24-211-03-S	Bolt, Round Hd, M6-1.0 x 25	1	14	KH-24-112-27-S	Spacer, Control Assembly	1
2	KH-24-090-33-S	Lever, Governor	1	15	KH-24-090-47-S	Lever, Throttle Actuator	1
3	KH-M-641060-S	Nut, Hex Flange, M6-1.0	1	16	KH-24-468-20-S	Washer, Plain	1
4	KH-24-089-01	Spring, Linkage	1	17	KH-M-446030-S	Nut, Hex M4 x 0.7	1
5	KH-25-158-08	Bushing, Linkage Retaining	1	18	KH-M-403025	Screw, Hex. Hd, M4-0.7 x 25	1
6	KH-24-079-04	Linkage, Throttle	1	19	KH-24-090-13	Lever, Throttle Control	1
7	KH-25-158-11	Bushing, Throttle Linkage	2	20	KH-24-468-01	Washer, Plain	1
8	KH-M-547050-S	Nut, Hex Lock	1	21	KH-24-090-05	Lever, Choke	1
9	KH-24-089-03	Spring, Choke Return	1	22	KH-41-468-03	Washer, Wave	1
10	KH-24-126-56	Bracket, Control	1	23	KH-M-545020-S	Screw, Hx Flange, M5-0.8 x 20	1
11	KH-M-645016-S	Screw, Hex Flange	4	24	KH-24-079-22-S	Linkage, Choke	1
12	KH-47-237-02	Clamp, Bowden	1	25	KH-24-089-55-S	Spring, Governor	1
13	KH-24-086-43-S	Screw, Thread Forming	1	26	KH-24-089-25-S	Spring, Governor	1