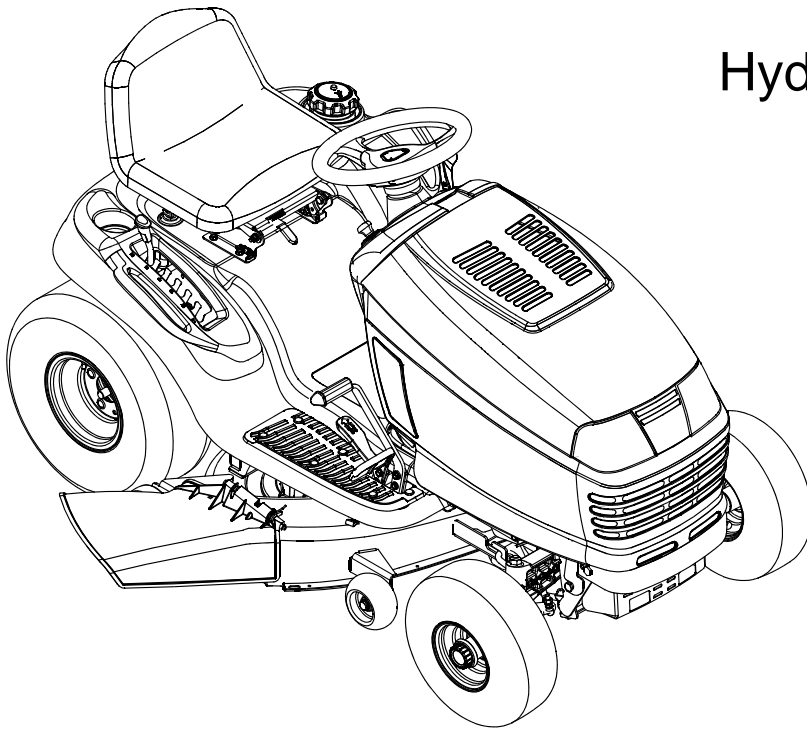


Cub Cadet

Parts Manual

Series 1500
Hydrostatic Lawn Tractor
Models 1525



CUB CADET LLC, P.O. BOX 361131 CLEVELAND, OHIO 44136-0019

PRINTED IN U.S.A.
ECO 13542

FORM NO. 769-00578A
(4/03)

MODELS 1525

TABLE OF CONTENTS

DESCRIPTION	PAGE	DESCRIPTION	PAGE
Axle, Front	6	Engine Accessories	15
Battery	16	Fender	10
Brake Pedal	12	Frame	8
Head Lamp	18	Fuel Tank	10
Mower Deck, 38-inch.....	22	Grille	18
Pedal Controls	12	Hood	18
Dash Panel	16	Deck Lift Handle/Linkage	11
Drive System	4	Muffler	15
Electrical Sysytem	26	PTO Clutch	20
Engine		Seat	14
Air Filter/ Muffler Gasket	37	Side Panels	18
Cooling	33	Steering	6
Carburetor/Intake Manifold	36	Transmission, Hydrostatic	24
Engine Control	35	Wheels, Front & Rear	3
Cylinder/Crankcase	28		
Piston/Crankshaft	30		
Engine Electrical/Ignition	34		
Fuel Pump/Filter	38		
Lubrication	32		
Electric Starter	39		
Valve/Camshaft	31		

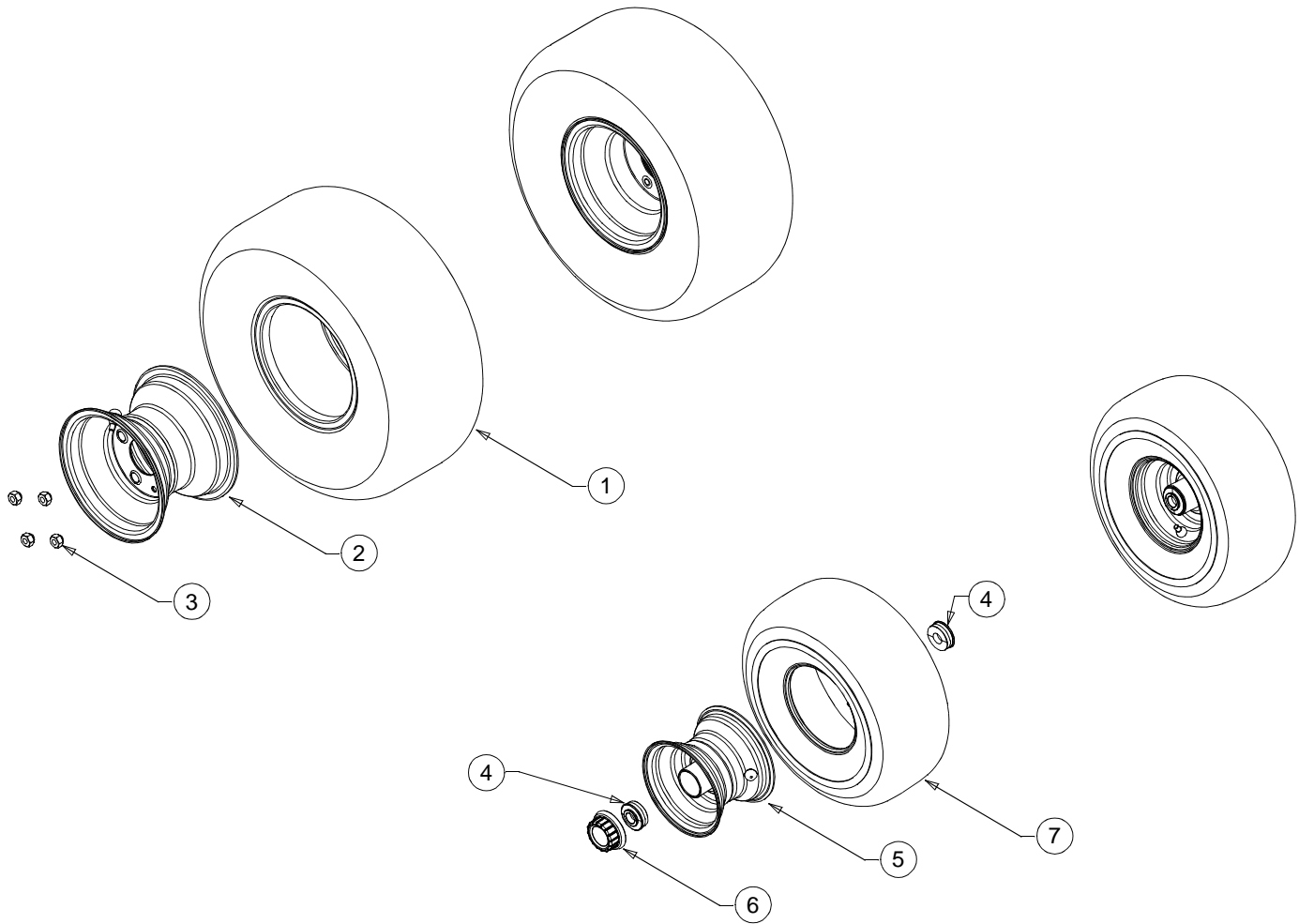
NOTE, For **painted parts**, please refer to the list of color codes below. Please add the applicable color code, wherever needed, to the part number to order a replacement part. For instance, if a part, numbered 700-xxxx, is painted Cub Yellow, the part number to order would be 700-xxxx-0716.

Cub Yellow: 0716

Cub Beige: 0499

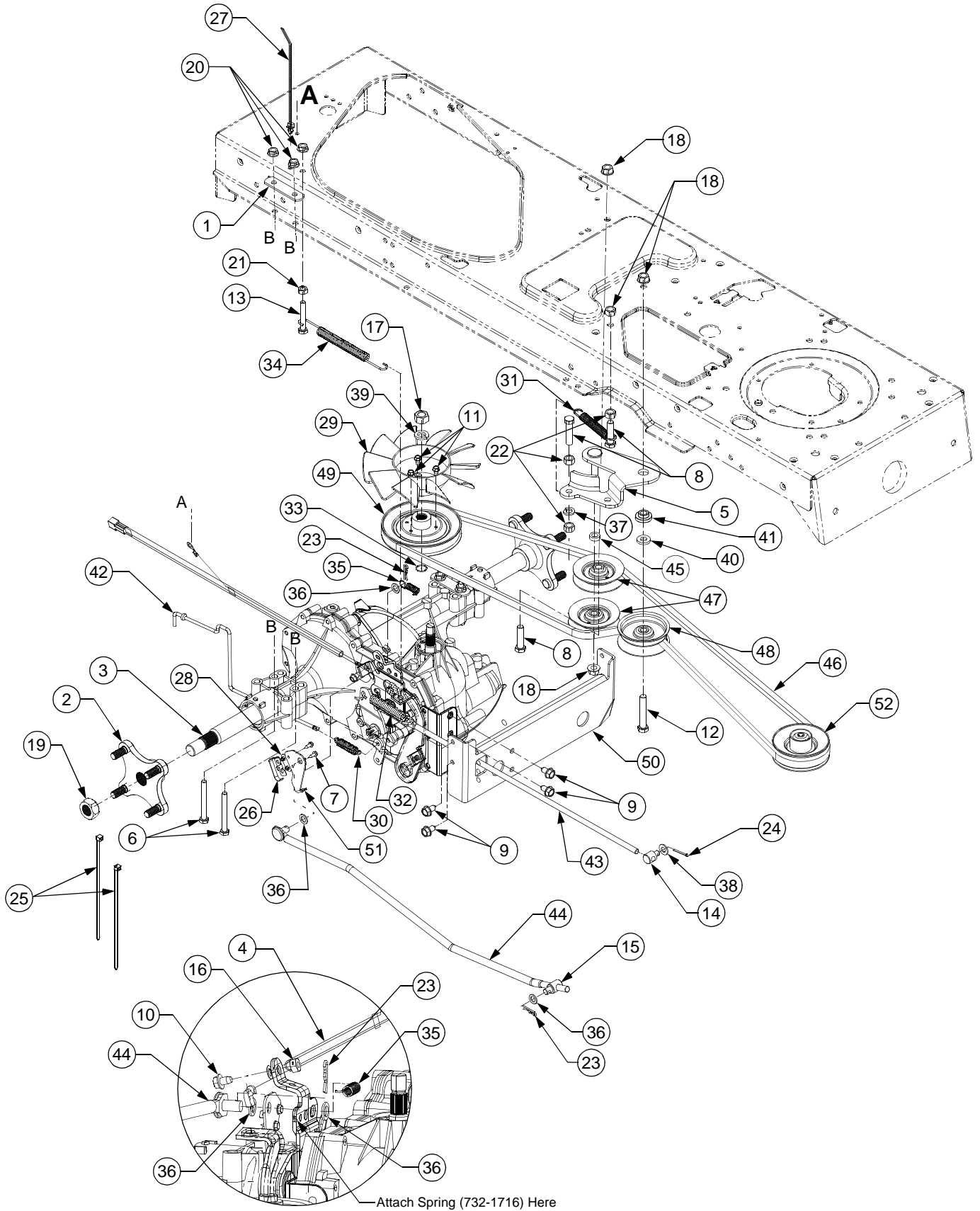
Powder Black: 0637

WHEELS



REF. NO.	PART NUMBER	DESCRIPTION	QTY.
1	734-3189	Tire, Turf, <i>Cub Cadet</i> 20 x 9 x 8	2
2	634-0246A	Rim Assembly, 8.0 x 6.19 (4-Lug)	2
3	712-3050	Lug Nut, 7/16-14	8
4	741-3032	Bearing, Ball, .75 ID x 1.75 OD	4
5	634-3015	Rim Assembly, Bead Lock, 6 x 4.5	2
6	731-3020	Hub Cap	2
7	734-3186	Tire, Turf, <i>Cub Cadet</i> 15 x 6 x 6	2
—	737-0224	Gease Fitting	2
—	734-0255	Valve, Tubeless Air	4

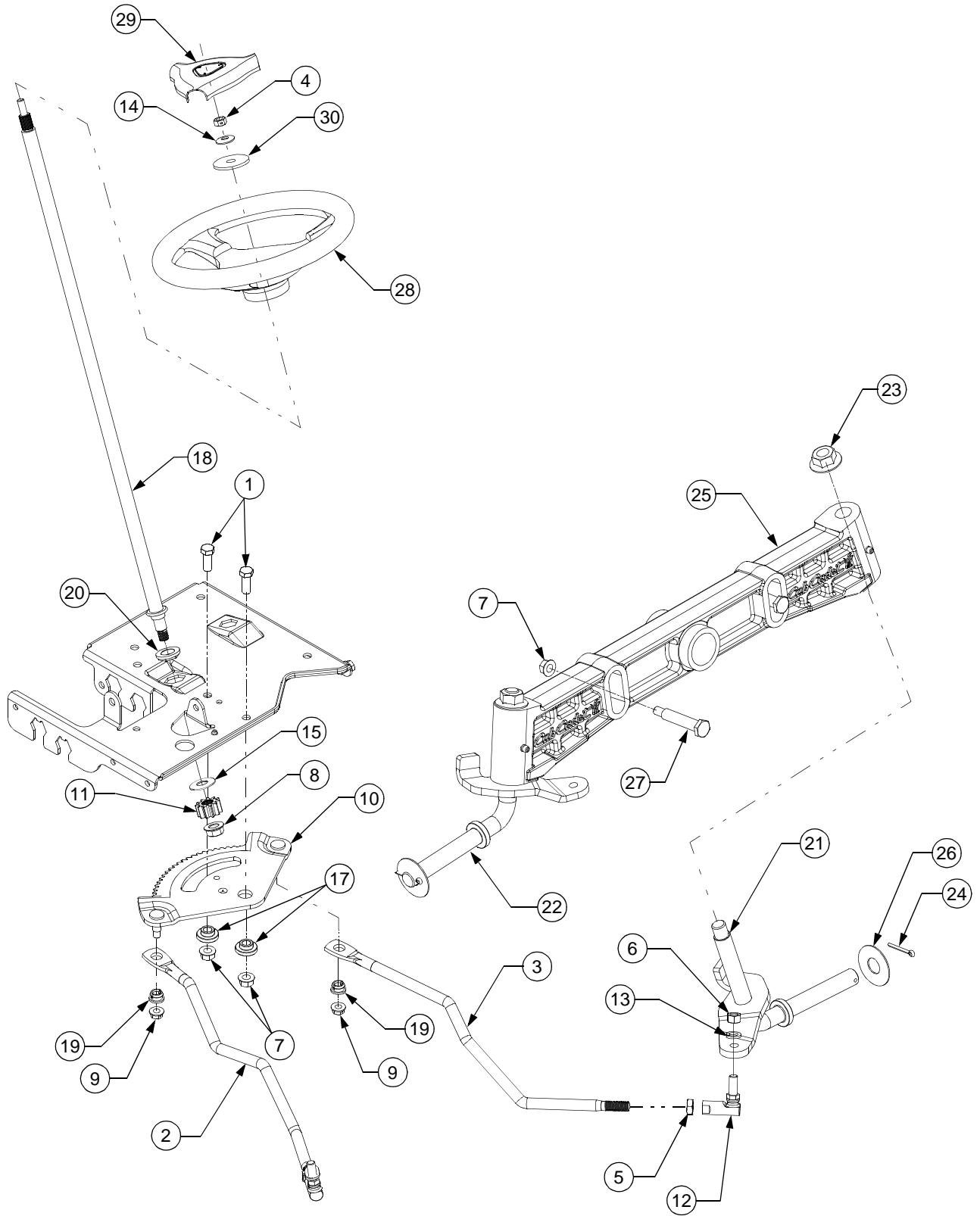
DRIVE SYSTEM



DRIVE SYSTEM

REF. NO.	PART NUMBER	DESCRIPTION	QTY.
1	17840	Bracket, Mounting, Transaxle	2
2	618-0365	Hub Assembly, Wheel	2
3	618-0667	Transmission, Hydrostatic	1
4	629-0949A	Harness Assembly, Ground & Reverse	1
5	683-0251	Bracket Assembly, Idler, Center Dbl	1
6	710-0176	Hex Cap Screw, 5/16-18, 2.75, Gr5	4
7	710-0227	Screw, #8-18, 0.500	2
8	710-0344	Hex Cap Screw, 3/8-16, 1.50, Gr5	3
9	710-0726	Screw, 5/16-12, 0.75	6
10	710-0599	Screw, 1/4-20, 0.5	1
11	710-3007	Screw, #12-24, 0.375	3
12	710-3011	Hex Cap Screw, 3/8-16, 2.25, Gr5	1
13	710-3103	Hex Cap Screw, 5/16-18, 2.00, Gr5	1
14	711-0677	Ferrule, 5/16-18 x .312 Dia	1
15	711-0832	Ferrule, 3/8-24 x .375 Dia	1
16	712-0291	Nut, Hex Lock, 1/4-20	1
17	712-0333	Nut, Hex, 1/2-20, Gr2	1
18	712-0431	Nut, Flange Lock, 3/8-16	4
19	712-1329	Nut, 3/4-16, Grb, Hx	2
20	712-3004A	Nut, Flange Lock, 5/16-18, Gr5	5
21	712-3010	Nut, Hex, 5/16-18, Gr5	1
22	712-3017	Nut, Hex, 3/8-16, Gr8	3
23	714-0104	Pin, Cotter, .072 Dia. x 1.13 Lg	2
24	714-0111	Pin, Cotter, 3/32, 1.0	1
25	725-0157	Cable, Tie, 3/16 x .05 x 7.4	2
26	725-1644	Switch, Spring, Short	1
27	726-0154	Tie, Cable, Push Mount 7.5 Lg	1
28	726-0320	Plate, Insulator Nut	1
29	731-1449A	Fan, Blade, 10"	1
30	732-0209	Spring, .48 OD x 2.03 Extension	1
31	732-0429A	Spring, Extension, .50 Dia x 3.97 Lg	1
32	732-0716	Spring, Extension, .59 OD x 4.00 Lg	1
33	732-0729	Ring, Wire	1
34	732-0994	Spring, Extension, .500 Dia x 7.0 Lg	1
35	732-3118	Spring, Extension, 3/8 OD x 1.44 Lg	1
36	736-0140	Washer, Flat, .385 x .62 x .063	3
37	736-0169	Washer, Lock, 3/8, Regular Duty	1
38	736-0275	Washer, Flat, .344 x .688 x .065	1
39	736-0921	Washer, Lock, 1/2, Regular Duty	1
40	736-3010	Washer, Flat, .407 x .812 x .135 Hdn	1
41	738-0372B	Spacer, Shoulder, 1.00 x .38 x .38	1
42	747-1149	Rod, Hydro Bypass	1
43	747-1150	Rod, Brake, Hydro	1
44	747-1151	Rod, Control, Hydro	1
45	750-0535	Spacer, .376 ID x .625 OD x .22	1
46	754-0640	Belt, V Type, Poly	1
47	756-0116	Pulley, Idler, V Type x 3.06 Dia	2
48	756-0981A	Pulley, Idler, Flat 2.75 OD	1
49	756-1166	Pulley, Input, 5.0 Dia	1
50	783-0810	Bracket, Transmission, Torque Hydro	1
51	783-1019	Bracket, Actuator, Switch	1
52	756-0978A	Pulley, Engine, 3.56 Dia.	1

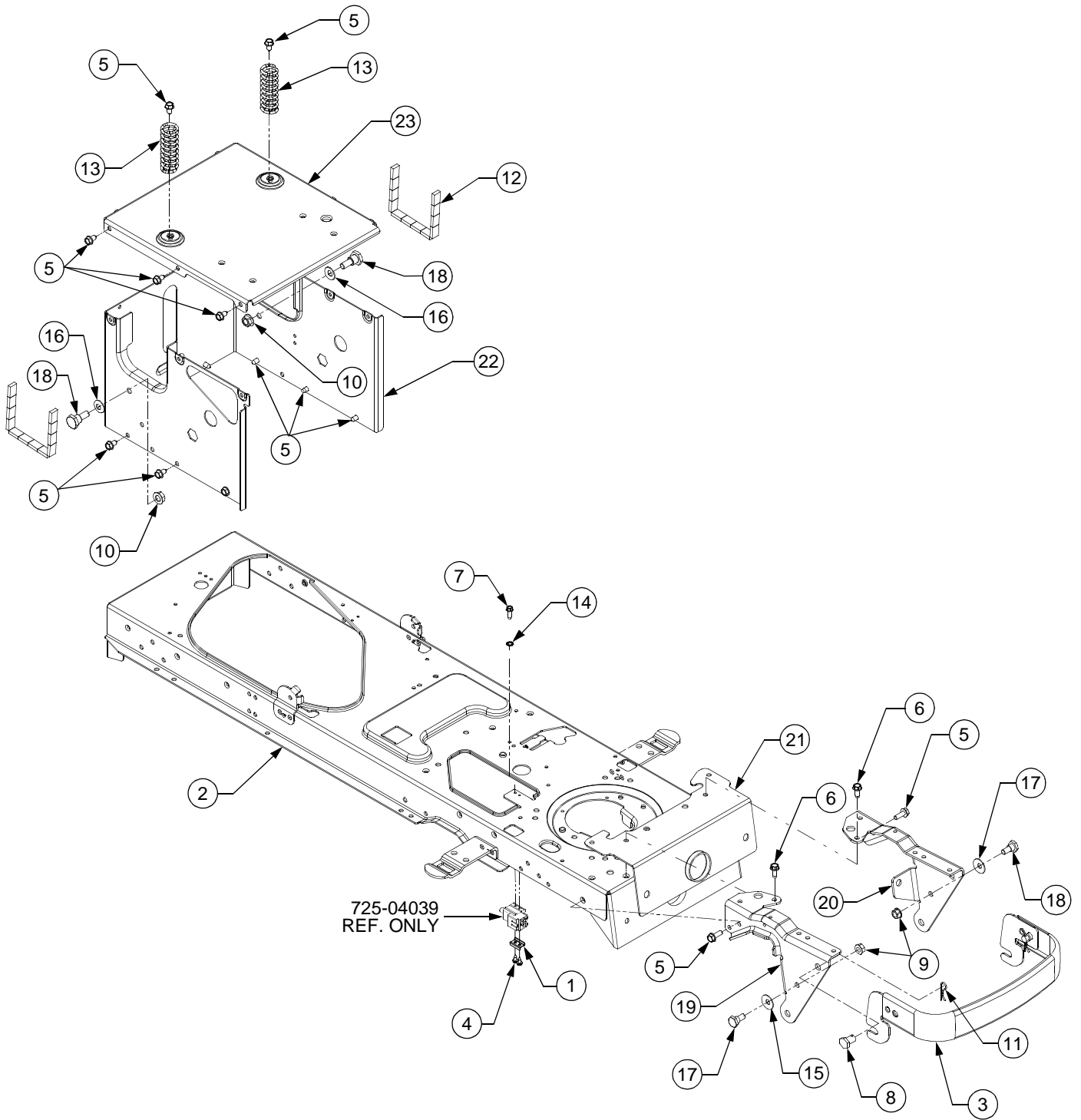
STEERING



STEERING

REF. NO.	PART NUMBER	DESCRIPTION	QTY.
1	710-0514	Hex Cap Screw, 3/8-16, 1.00, Gr5, Std	2
2	711-1408	Link, Drag, RH	1
3	711-1409A	Link, Drag, LH	1
4	712-0237	Nut, Hex Lock, 5/16-24	1
5	712-0240	Nut, Jam, 7/16-20, Gr2	2
6	712-0241	Nut, Hex, 3/8-24, Gr5	2
7	712-0431	Nut, Flange Lock, 3/8-16	4
8	712-0459	Nut, Flange Lock, 7/16-20	1
9	712-3004A	Nut, Flange Lock, 5/16-18	2
10	717-1550D	Gear, Steering, 11/90 Ratio	1
11	717-1554	Gear, Pinion, Steering	1
12	723-0610	Ball Joint, 7/16-20	2
13	736-0169	Washer, Lock, 3/8 , Regular Duty	2
14	736-0242	Washer, Bell, .340 x .872 x .060	1
15	736-3084	Washer, Flat, .510 x 1.120 x .060	1
16	737-3007	Grease, Alvania Ep 2	1
17	738-0372B	Spacer, Shoulder, 1.00 x .38 x .38	2
18	738-1194	Shaft, Steering, .625 OD x 25.00 Lg	1
19	741-0475	Bushing, Plastic, .380 ID	2
20	741-0656	Bearing, Hex Flange, 5/8	1
21	683-0605	Axle Assembly, LH .750 Dia	1
22	683-0606	Axle Assembly, RH .750 Dia	1
23	712-0417A	Nut, Hex, Flange, 5/8-18	2
24	714-0162	Pin, Cot, 5/32, 1.25	2
25	719-0583	Axle, Pivot, Cast .750 Dia	1
26	736-0866	Washer, Flat, .755 x 1.92 x .060	2
27	738-1011	Spacer, Shoulder, .500 x 2.230, 3/8-16	2
28	731-3209	Wheel, Steering, Soft Grip, Three Spoke	1
29	731-3210	Cover, Steering Wheel	1
30	736-04062	Washer, Flat, .344 x 1.5 x .10	1

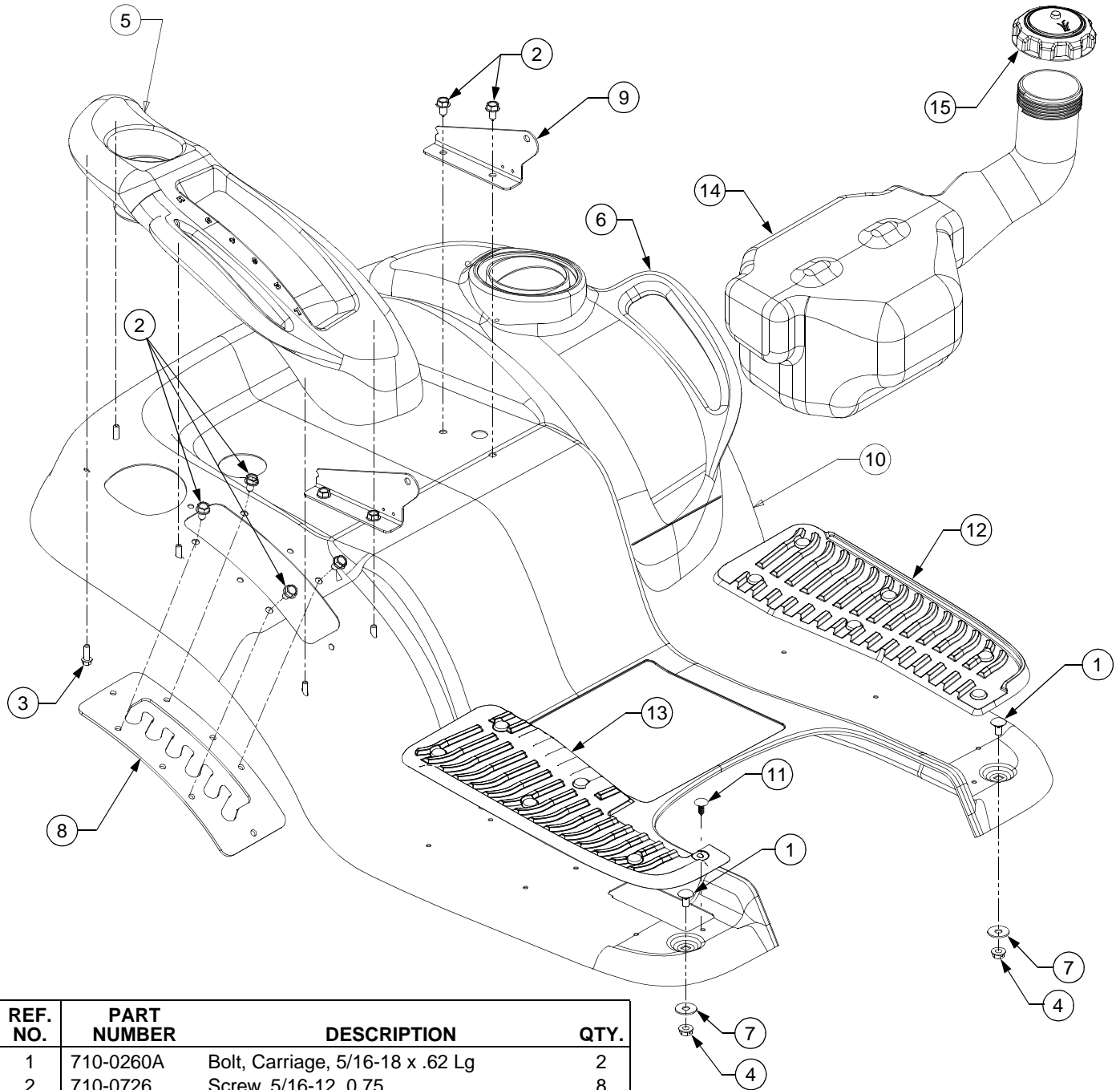
FRAME



FRAME

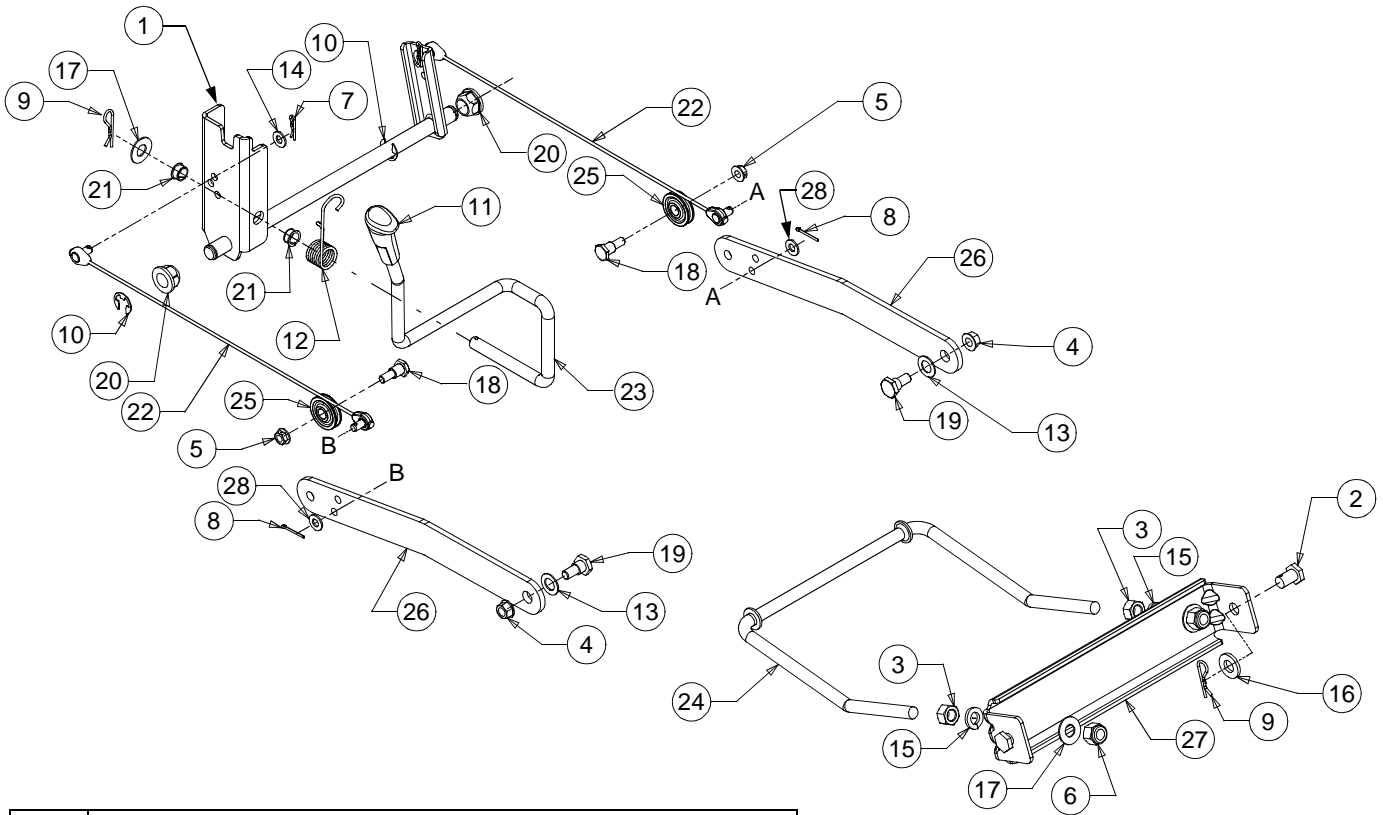
REF. NO.	PART NUMBER	DESCRIPTION	QTY.
1	17962	Plate, Switch	1
2	683-0304A	Frame Assembly, Lower	1
3	683-0612	Bumper Assembly	1
4	710-0224	Screw, Hex Wash. Hd. Tapp, 10-16 x .5	2
5	710-0604A	Screw, Self-tapping, 5/16-18, 0.625	20
6	710-1260A	Screw, 5/16-18, 0.750	2
7	710-1652	Screw, Hex Wash. Hd. Tapp, 1/4-20 x 0.625	1
8	711-0332	Pin, Clevis, .50 Dia x .78 Lg	2
9	712-0431	Nut, Flange Lock, 3/8-16	2
10	712-0459	Nut, Flange Lock, 7/16-20	2
11	714-0145	Pin, Click, .092 x 1.64 Lg	2
12	722-3022	Foam Tape, .625 x .25	18
13	732-04035	Spring, Compression, 1.28 OD x 3.125 Lg	2
14	736-0222	Washer, Lock, Ext 1/4	2
15	736-0331	Washer, Bell, .390 x 1.13 x .062	2
16	736-0407	Washer, Bell .45 x 1.00 x .062	2
17	738-0143	Shoulder Screw, 3/8-16	2
18	738-1020	Shoulder Screw .625 x .500, 7/16-20	2
19	783-0726B	Bracket, Pivot, Support RH	1
20	783-0727A	Bracket, Pivot, Support LH	1
21	783-0728	Bracket, Pivot, Bar	1
22	783-1462	Frame, Upper, Cub 1500	1
23	783-1463	Bracket, Frame, Seat	1

FENDER & FUEL TANK



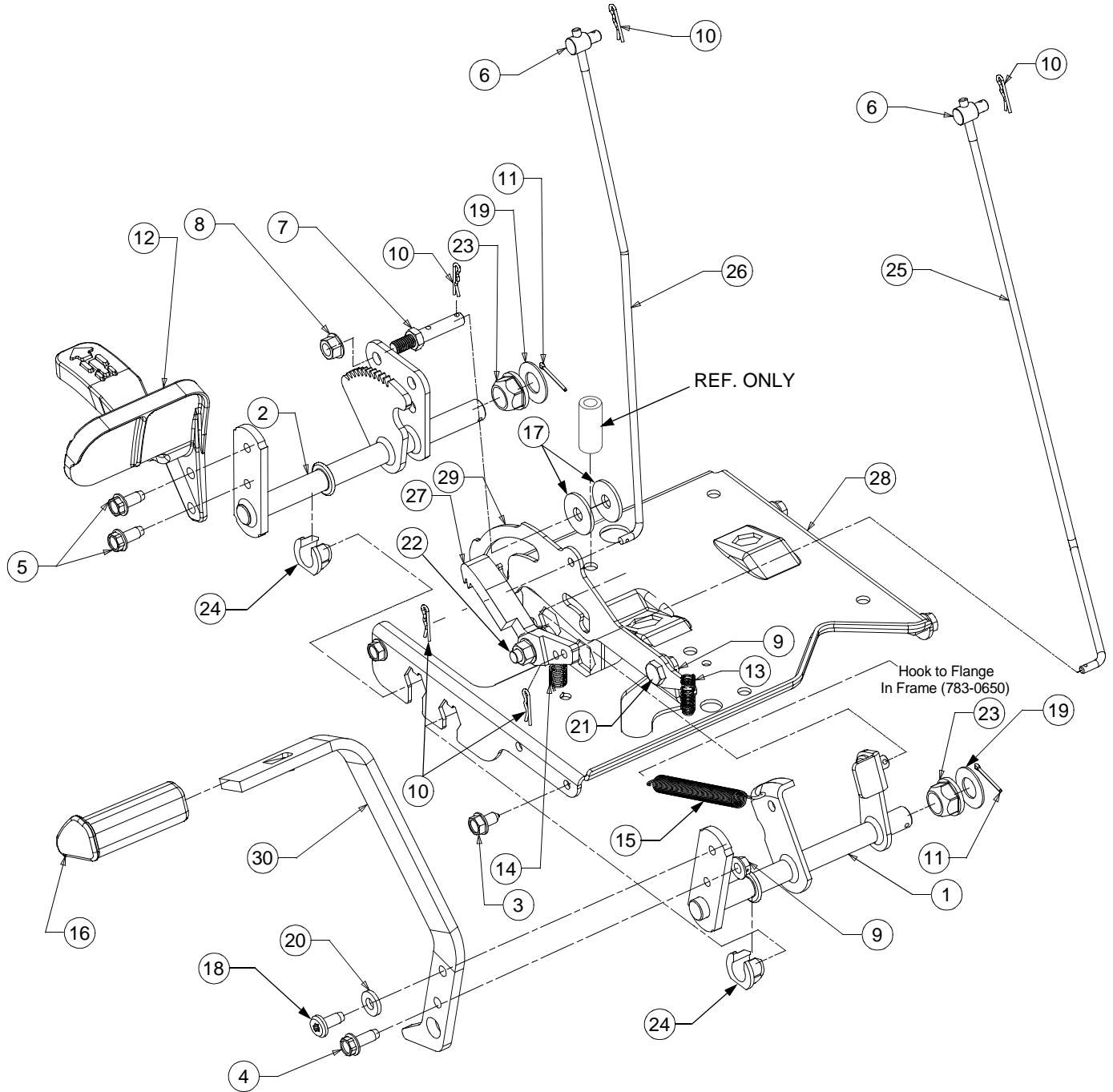
REF. NO.	PART NUMBER	DESCRIPTION	QTY.
1	710-0260A	Bolt, Carriage, 5/16-18 x .62 Lg	2
2	710-0726	Screw, 5/16-12, 0.75	8
3	710-0895	Screw, 1/4-15, 0.750	9
4	712-3004A	Nut, Flange Lock, 5/16-18	2
5	731-2616	Cover, Fender, RH	1
6	731-2617	Cover, Fender, LH	1
7	736-3078	Washer, Flat, .349 x 1.00 x .063	2
8	783-0677	Bracket, Lift, Adjustment	1
9	783-0715B	Bracket, Seat, Mount	2
10	783-1461	Fender	1
11	726-3046	Clip, Ratchet, .250 Dia	12
12	735-0697	Pad, Foot, LH	1
13	735-0698A	Pad, Foot, RH	1
14	751-0819A	Tank, Fuel	1
15	751-3124B	Cap, Fuel	1

LIFT ASSEMBLY



REF. NO.	PART NUMBER	DESCRIPTION	QTY.
1	683-0197B	Shaft Assembly, Lift	1
2	711-0332	Pin, Clevis, .50 Dia x .78 Lg	2
3	712-0206	Nut, Hex, 1/2-13, Gr5	2
4	712-0431	Nut, Flange Lock, 3/8-16	2
5	712-3004A	Nut, Flange Lock, 5/16-18, Gr5	2
6	712-3083	Nut, Hex Lock, 1/2-13, Gr8, Nylon	2
7	714-0104	Pin, Cotter, .072 Dia. x 1.13 Lg	2
8	714-0111	Pin, Cotter, 3/32, 1.0	2
9	714-0145	Pin, Click, .092 x 1.64 Lg	2
10	716-0106	E-ring, .625 Dia. Shaft	2
11	720-0311	Grip, Handle	1
12	732-0874	Spring, Torsion	1
13	736-0160	Washer, Flat, .53 x .93 x .050	2
14	736-0275	Washer, Flat, .344 x .688 x .065	2
15	736-0921	Washer, Lock, 1/2, Regular Duty	2
16	736-3019	Washer, Flat, .531 x 1.062 x .134	2
17	736-3084	Washer, Flat, .510 x 1.120 x .060	3
18	738-0138A	Screw, Hex Cap, 5/16-18x.620 Gr2	2
19	738-0143	Shoulder Screw, 3/8-16	2
20	741-0225	Bearing, Hex Flange	2
21	741-0715	Bearing, Flange, Snap .500 ID	2
22	746-0968	Cable, Lift, 16.16 Lg	2
23	747-1111A	Handle, Lift	1
24	747-1130B	Rod, Deck, Front Adjustment .5" Dia	1
25	756-1154	Pulley, Roller	2
26	783-0678A	Lift, Arm	2
27	783-0720A	Bracket, Adjustment, Front Deck Rod	1
28	736-0204	Washer, Flat, .344 x .62	2

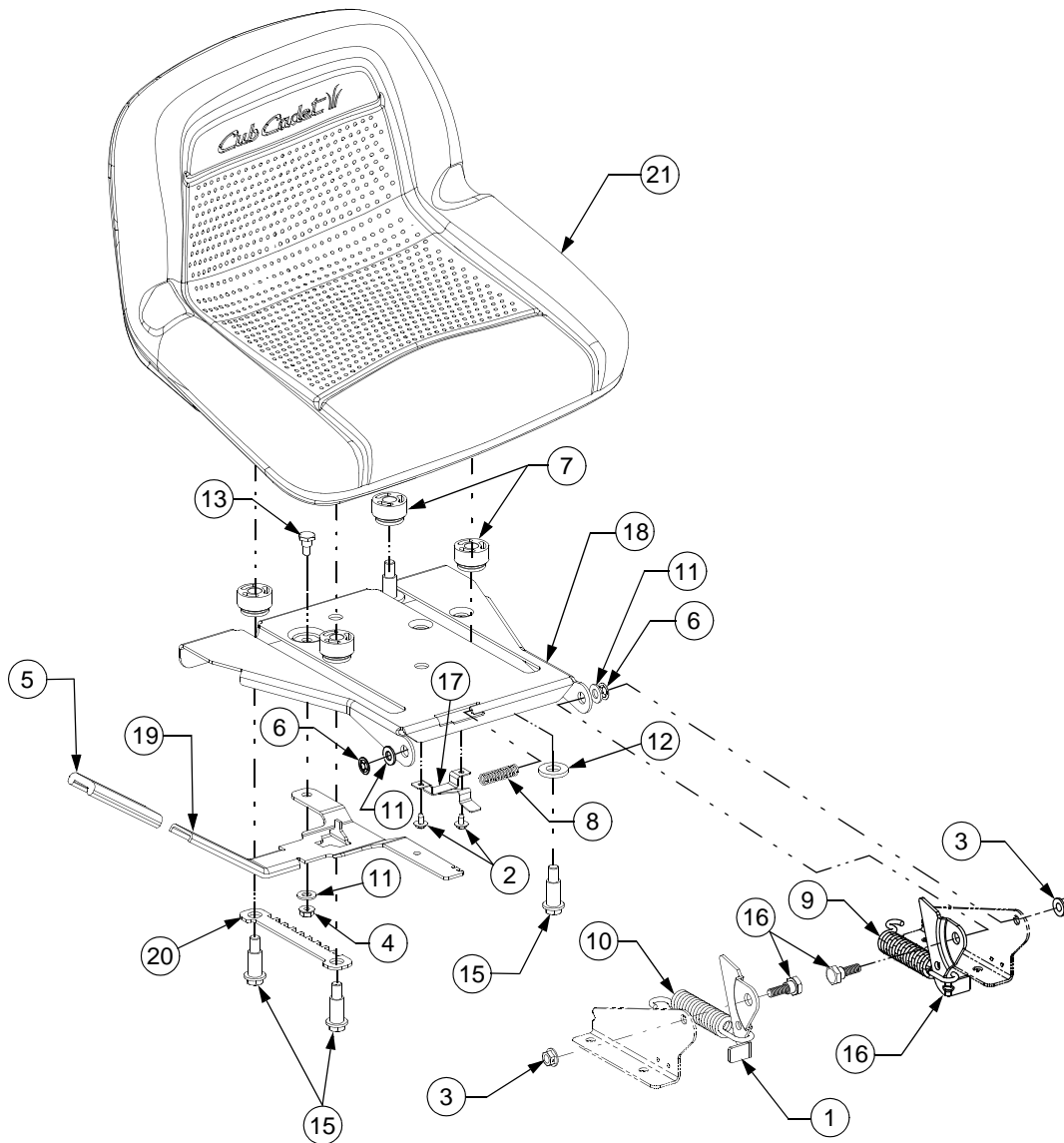
PEDAL ASSEMBLY



PEDAL ASSEMBLY

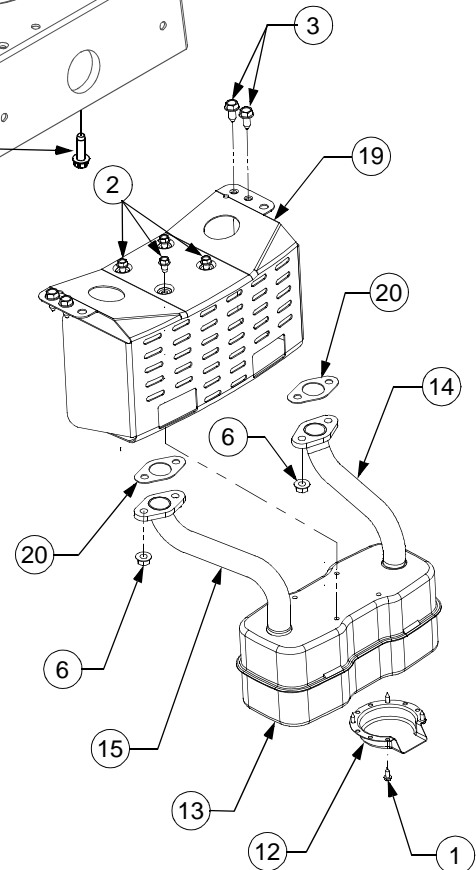
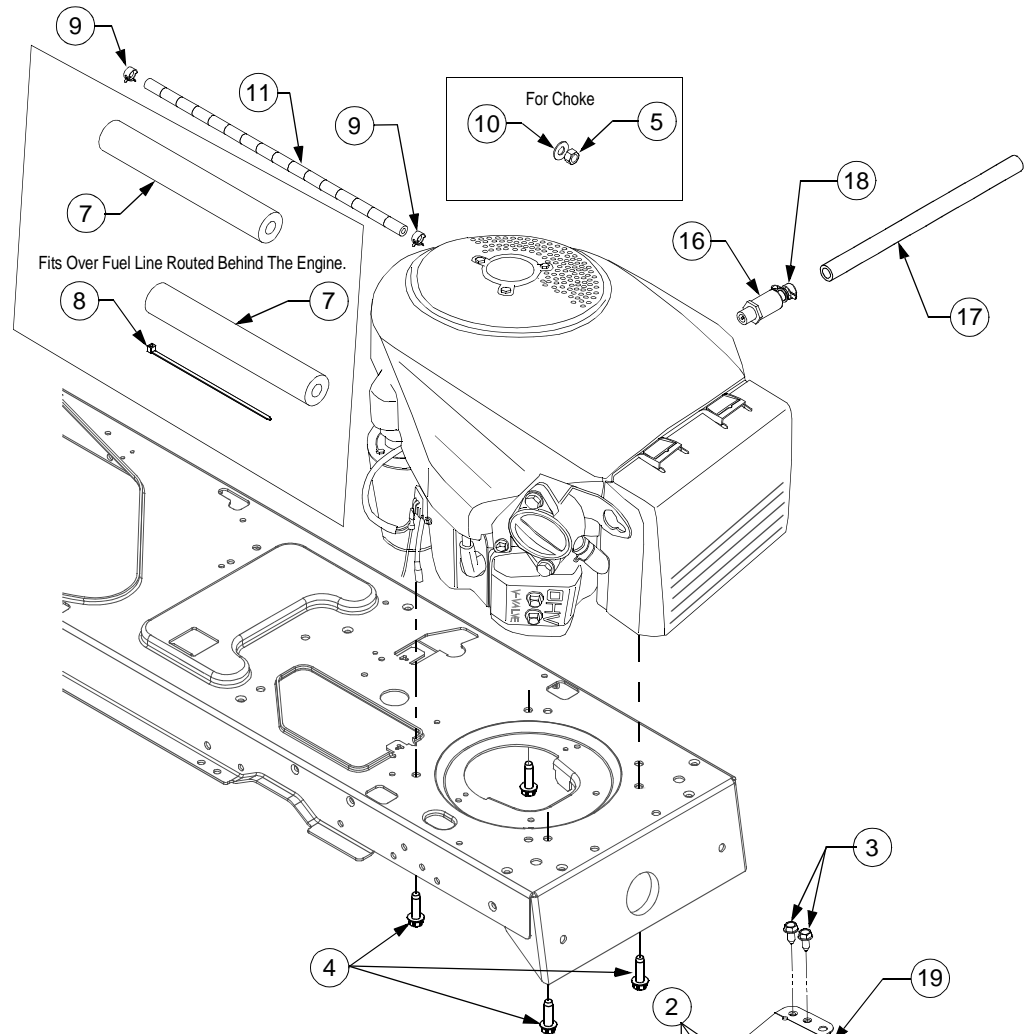
REF. NO.	PART NUMBER	DESCRIPTION	QTY.
1	647-0031B	Control Assembly, Brake	1
2	647-0049	Control Assembly, Hydro	1
3	710-0726	Screw, Self-tapping, 5/16-12, 0.75	4
4	710-0650	Screw, Self-tapping, 5/16-18, 0.875	1
5	710-1260A	Screw, 5/16-18, 0.750	2
6	711-0736	Adjustment Ferrule 1/4-20 x 1.0	2
7	711-1363	Pin, 3/8-16, 3/8 x 2.43 Lg	1
8	712-0431	Nut, Flange Lock, 3/8-16	2
9	712-3004A	Nut, Flange Lock, 5/16-18, Gr5	2
10	714-0104	Pin, Cotter, .072 Dia. x 1.13 Lg	5
11	714-0111	Pin, Cotter, 3/32, 1.0	2
12	719-0584	Pedal, Control	1
13	732-0335	Spring, Compression, .405 x 1.17	1
14	732-0955	Spring, Extension, .50 OD x 1.41 Lg	1
15	732-0963	Spring, Extension, .50 Dia x 6.37 Lg	1
16	735-3049	Pad, Brake, Control	1
17	736-0133	Washer, Flat, .411 x 1.25 x .100	2
18	710-1611B	Screw, Torx Hd. Tapp. 5/16-18 x .75	1
19	736-0187	Washer, Flat .64 ID x 1.24 x .06	2
20	736-3008	Washer, Flat, .344 x .750 x .120	1
21	738-0155	Shoulder, Screw .437 x 1.62 Lg	1
22	738-0507B	Screw, Shoulder, .500 Dia x .434	1
23	741-0225	Bearing, Hex Flange	2
24	741-3065B	Bearing, Hex Flange, .628 ID, Split	2
25	747-1137	Rod, Control, Cruise	1
26	747-1138	Rod, Control, Brake Lock	1
27	748-0413	Latch, Cruise	1
28	783-0653F	Bracket, Support, Stearing	1
29	783-0663C	Bracket, Lockout, Hydro	1
30	783-1469A	Pedal, Brake	1

ADJUSTABLE SEAT



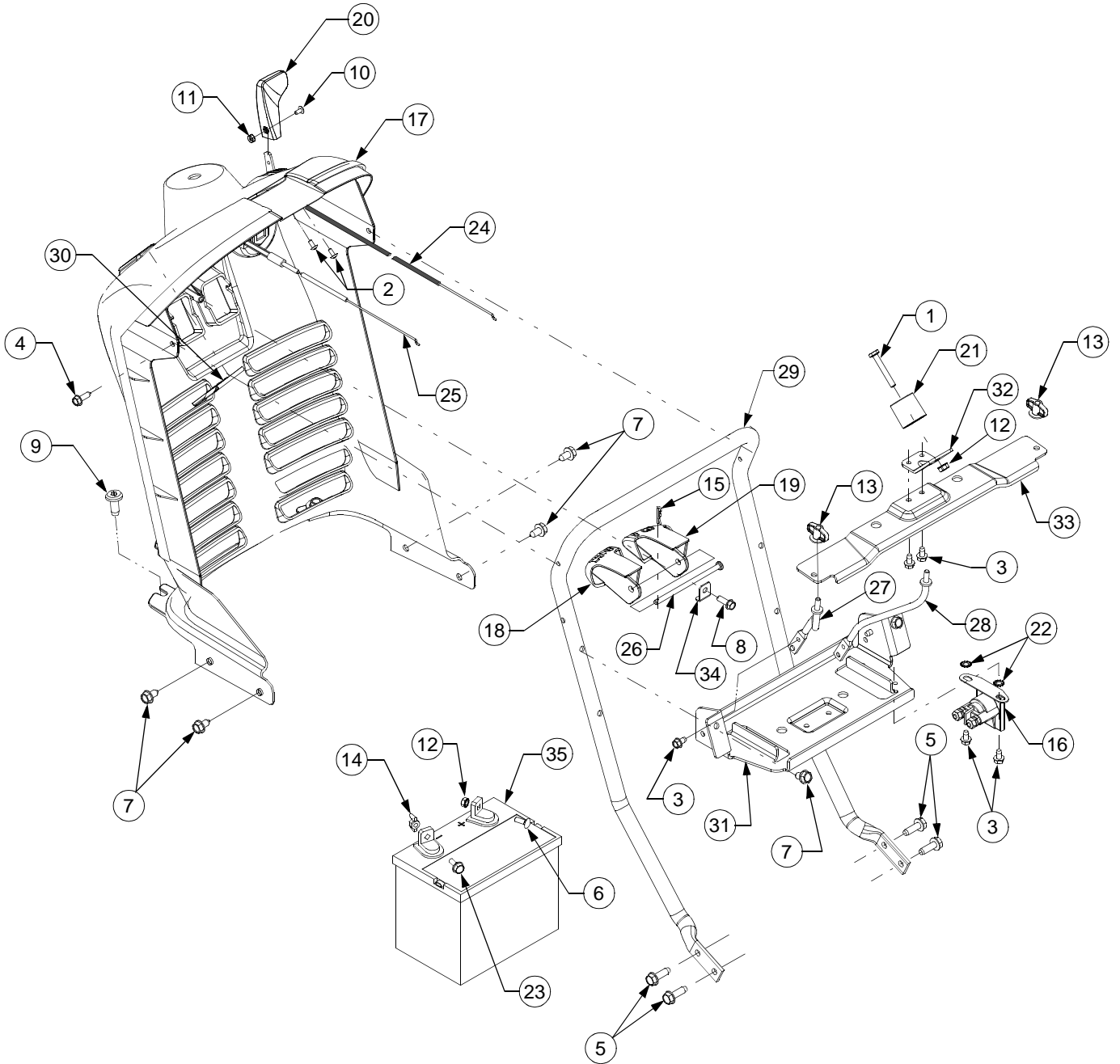
REF. NO.	PART NUMBER	DESCRIPTION	QTY.	REF. NO.	PART NUMBER	DESCRIPTION	QTY.
1	17239C	Bracket, Seat Lift	1	12	736-3019	Washer, Flat, .531 x 1.062 x .134	2
2	710-1268	Screw, #10-16, 0.375	2	13	738-0137A	Screw, Shoulder, .340 x .285, 1/4-20	1
3	712-3004A	Nut, Flange Lock, 5/16-18, Gr5	2	14	738-0296	Shoulder, Screw .437 x .286 Lg	2
4	712-3027	Nut, Flange Lock, 1/4-20	1	15	738-0966	Screw, Shoulder, .50 x.93	4
5	720-04027	Grip, Seat, Side Adjustment (Yellow)	1	16	783-0209C	Bracket, Seat Lift	1
6	726-0201	Nut, Speed, .3125 ID	2	17	783-0611	Stop, Seat, Adjustment	1
7	731-04074	Spacer, Seat, Adjustment	4	18	783-0738A	Bracket, Pivot, Seat	1
8	732-0499	Spring, Compression .41 OD x 1.50	1	19	783-04246	Lever, Seat, Adjustment	1
9	732-1027	Spring, Extension, .80 Dia x 4.2 Lg.	1	20	783-0753	Selector, Seat, Adjustment	1
10	732-1175	Spring, Extension, .815 Dia x 4.4 Lg.	1	21	757-04004	Seat, Mid-back, V-1480	1
11	736-0275	Washer, Flat, .344 x .688 x .065	3		777D06883	Graphic, Made in USA	1
					777D01782	Graphic, Cub Cadet	1

ENGINE ACCESSORIES



REF. NO.	PART NUMBER	DESCRIPTION	QTY.
1	710-0227	Screw, #8-18, 0.500	4
2	710-0599	Screw, Self-tapping, 1/4-20, 0.500	4
3	710-0726	Screw, Hx. Wash. Hd. Tapp 5/16-12 x .75	4
4	710-1315	Screw, Hx. Wash. Hd. Tapp 3/8-16 x	4
5	712-3017	Nut, Hex, 3/8-16, Gr8	1
6	712-3086	Nut, M8, 1.25-6h, Flange	2
7	722-0263	Foam, .625 x 1.50 x 10.0 Lg	2
8	725-0157	Cable, Tie, 3/16 x .05 x 7.4	2
9	726-0205	Clamp, Hose, .490 Dia.	2
10	736-0300	Washer, Flat, .406 x .875 x .059	1
11	751-0535	Hose, Fuel Line	61in
12	751-0564	Deflector, Muffler	1
13	751-0805	Muffler, Dual Inlet	1
14	751-2100	Pipe, Exhaust, LH	1
15	751-2101	Pipe, Exhaust, RH	1
16	751-3140	Drain, Oil	1
17	751-3141	Hose, Extension, Oil Drain	12in
18	751-3142	Cap, Oil, Drain	1
19	783-0615B	Shield, Heat, Muffler	1
20	KM-11060-7021	Gasket, Exhaust	2

DASH PANEL



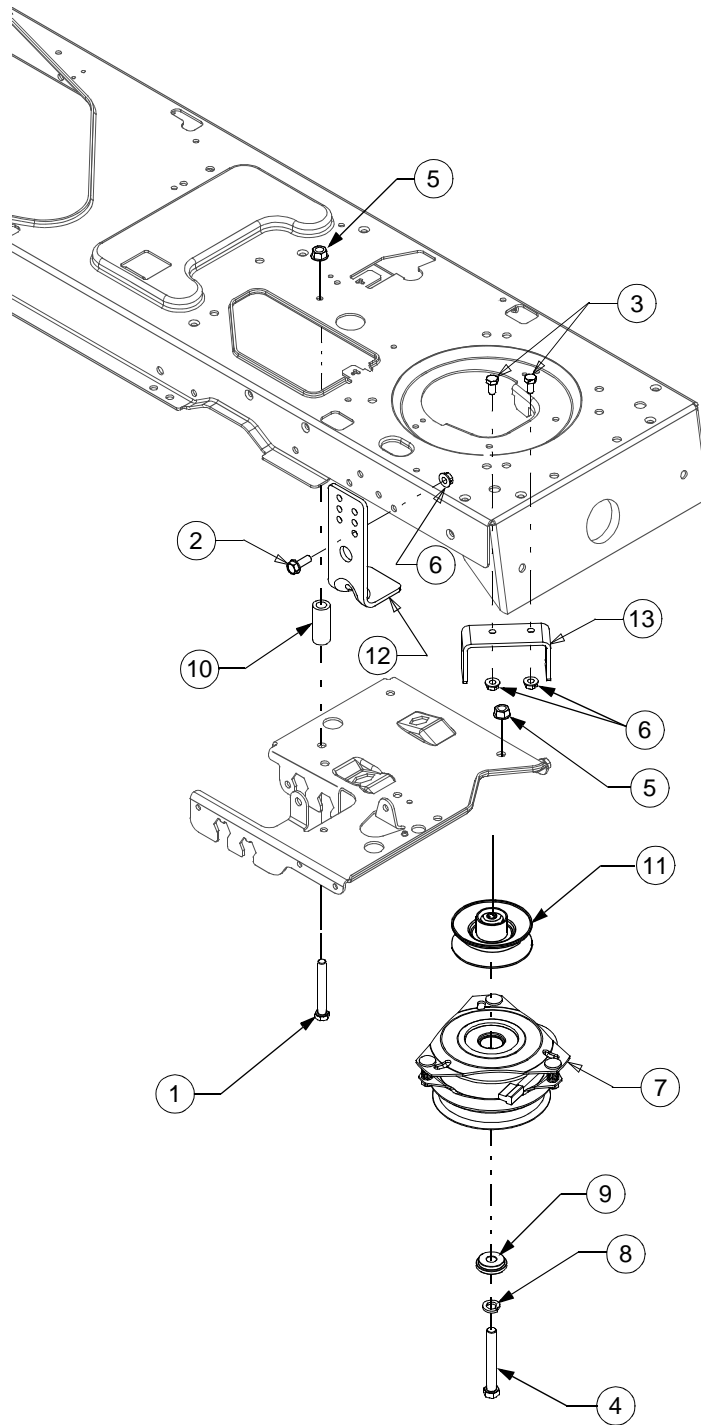
DASH PANEL

REF. NO.	PART NUMBER	DESCRIPTION	QTY.
1	710-0136	Screw, 1/4-20, 1.75, Gr5	1
2	710-0192	Screw, #10-24 X .375	2
3	710-0599	Screw, Self-tapping, 1/4-20, 0.500	6
4	710-0642	Screw, Hx. Wash. Hd, Tapp. 1/4-20 x .75	2
5	710-0650	Screw, Hx. Wash. Hd, Tapp, 5/16-18, .875	4
6	710-0703	Screw, Carriage, 1/4-20, .75,	1
7	710-0726	Screw, Hx. Wash. Hd, Tapp, 5/16-12 x .75	6
8	710-0895	Screw, 1/4-15, 0.750	1
9	710-1611B	Screw, Torx Hd. Tapp. 5/16-18 x .75	2
10	710-3217	Screw, Machine, #8-32, 0.375, Trus Phillips	1
11	712-0142	Nut, 8-32	1
12	712-0271	Nut, Hex, 1/4-20, Sems	2
13	712-0397	Nut, Wing, 1/4-20 w/ Bell Washer	2
14	712-3087	Nut, Wing, 1/4-20	1
15	714-0104	Internal Cotter Pin, .072 x 1.13	1
16	725-1426	Solenoid, 12V, 100 Amp	1
17	731-2615	Dash	1
18	731-2620	Lever, Dash, Cruise	1
19	731-2621	Lever, Dash, Brake	1
20	731-3161	Knob, Throttle Control	1
21	731-3232	Roller, Latch, Hood	1
22	736-0222	Washer, External Lock, 1/4	2
23	738-1132	Screw, Shoulder, 1/4-20, .25 x .15	1
24	746-1100	Cable, Throttle, 38.0 Lg	1
25	746-04057	Cable, Choke, 45.5 Lg.	1
26	747-1323A	Rod, .250 Dia x 4.25 Lg.	1
27	747-2130	Rod, Support, Side Panel RH	1
28	747-2131	Rod, Support, Side Panel LH	1
29	749-04000A	Tube, Dash, Support	1
30	783-0462	Bracket, PTO Switch Retainer	1
31	783-1447	Bracket, Support, Battery	1
32	783-1448	Bracket, Support, Hood Latch	1
33	783-1449	Bracket, Battery, Hold Down	1
34	783-1499	Bracket, Rod, Dash	1
35	925-1707C	Battery, 275 CCA, Dry	1

HOOD & GRILLE

REF. NO.	PART NUMBER	DESCRIPTION	QTY.
1	603-0211A	Bracket Assembly, Grille LH	1
2	603-0212A	Bracket Assembly, Grille RH	1
3	603-04063	Bracket Assembly, Hood	1
4	625-04001	Headlight Assembly, Front	1
	725-0963	Lamp, 12V	2
	725-1649	Socket, Lamp	2
5	703-2396	Side Panel, RH	1
	777D06895	Graphic, 1525	1
	777X40079	Strip, Protective	1
6	703-2397	Side Panel, LH	1
	777D06895	Graphic, 1525	1
	777X40079	Strip, Protective	1
7	703-2398	Grille	1
	777I20314	Graphic, Warning HOT	1
8	703-2465	Link, Hood Front	2
9	703-2466A	Link, Hood, Rear	2
10	703-2495	Screen, LH Side Panel	1
11	703-2496	Screen, RH Side Panel	1
12	710-0599	Screw, Self-tapping, 1/4-20, 0.500	6
13	710-1260A	Screw, Hx Wash. Hd Tapp, 5/16-18 x .75	2
14	710-0436	Screw, Hx Tapp, 10-16 x .625	2
15	710-0456	Screw, Hx Wash. Hd Tapp, 10-16 x .5	2
16	710-0726	Screw, Hx Wash. Hd Tapp, 5/16-12 x .75	2
17	710-0779A	Screw, Truss Phillips Tapp, 10-16 x .5	4
18	712-3027	Nut, Flange Lock, 1/4-20	8
19	712-0397	Nut, Wing, 1/4-20	2
20	726-0139	Nut, Speed, 10z U-type	2
21	731-04237	Plenum, Hood	1
22	732-0334	Spring, Compression, .50 OD x .5 Lg	4
23	732-0855A	Spring, Latch, Hood	1
24	736-0175	Washer, Spring, .265 x .562 x .025	8
25	736-0258	Washer, Flat, .385 x 1.0 x .135	2
26	736-0400	Washer, Flat, .194 x .62 OD x .063	2
27	738-3141	Screw, Shoulder, .31x .75, 1/4-20	2
28	748-3055	Bushing, Tapered, .32 ID x .69 OD	4
29	783-1467	Bracket, Mounting, Grille LH	1
30	783-1468	Bracket, Mounting, Grille RH	1
31	959-3747B	Hood Assembly	1
	777D03263	Graphic, Hood RH	1
	777D03264	Graphic, Hood LH	1

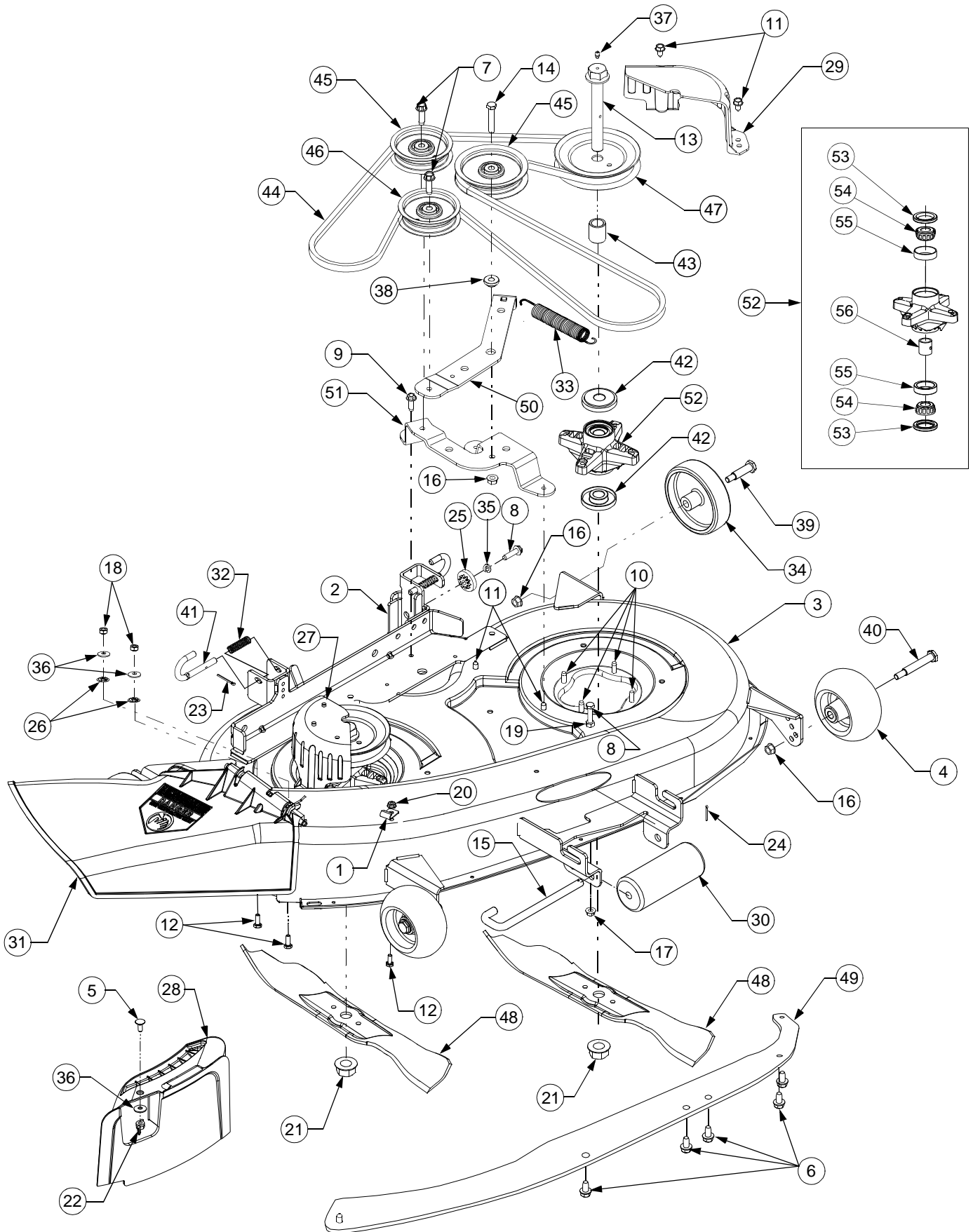
POWER TAKE-OFF (PTO) SYSTEM



POWER TAKE-OFF (PTO) SYSTEM

REF. NO.	PART NUMBER	DESCRIPTION	QTY.
1	710-0859	Screw, 3/8-16 x 2.5 GR5	1
2	710-1238	Screw, 5/16-18, .875 GR5	1
3	710-3025	Screw, 5/16-18, .625 GR5	2
4	710-3157	Screw, Hex Cap, 7/16-20 x 3.25 GR5	1
5	712-0431	Nut, Flange Lock, 3/8-16	2
6	712-3004A	Nut, Flange Lock, 5/16-18	3
7	717-1773	Clutch, Electric PTO, 6" (Model 1515)	1
8	736-0171	Washer, Lock, 7/16, Regular Duty	1
9	738-0785	Spacer, Shoulder, 1.38 x .445 x .36	1
10	748-0415A	Spacer, 3/8 x 1.54	1
11	756-0978A	Pulley, Engine	1
12	783-0891B	Deck Stop	1
13	783-1003	Bracket, Clutch	1

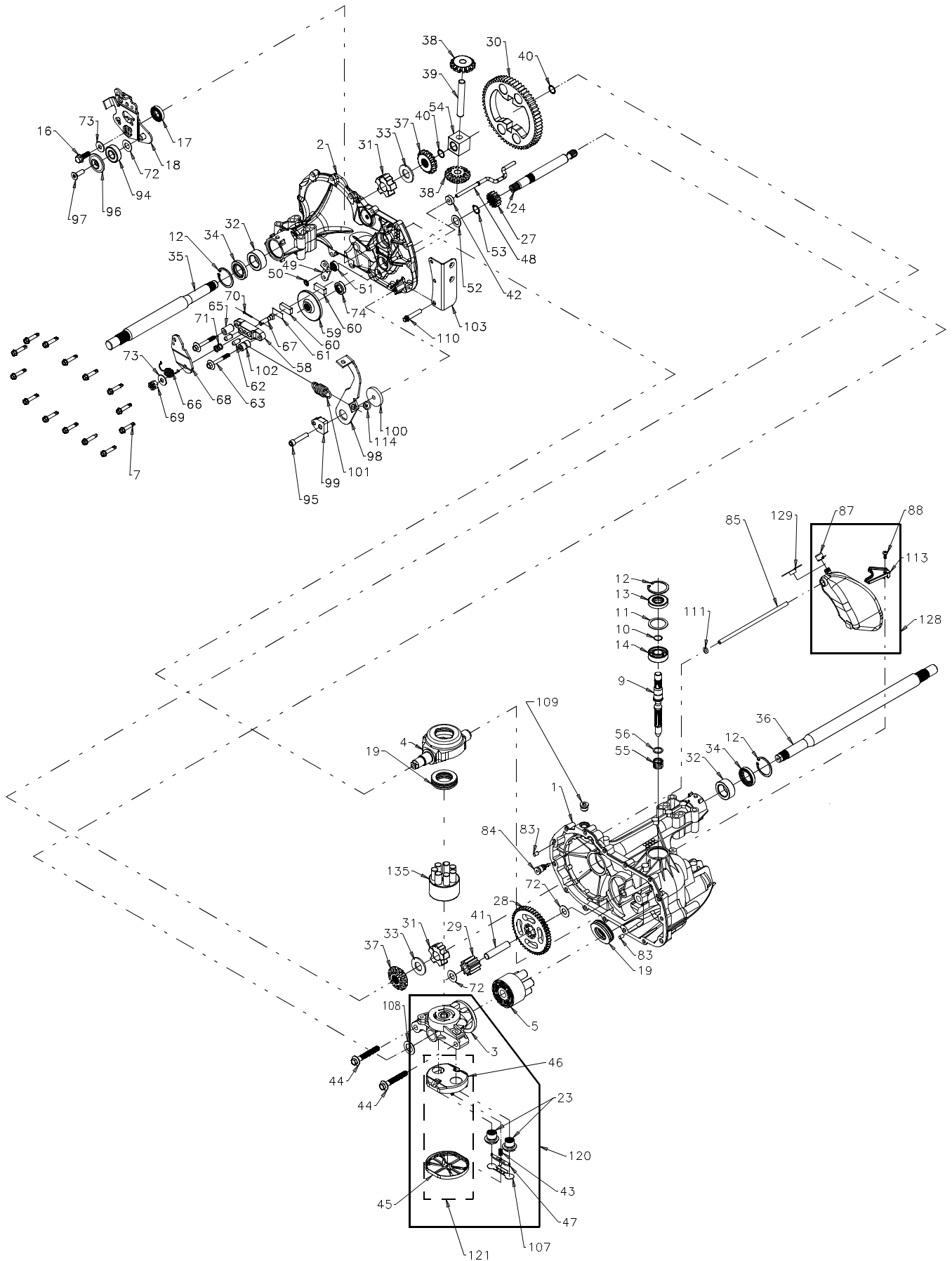
38 INCH MOWER DECK



38 INCH MOWER DECK

REF. NO.	PART NUMBER	DESCRIPTION	QTY.	REF. NO.	PART NUMBER	DESCRIPTION	QTY.
1	16606	Bracket, Hook, Retainer	1	29	731-2609A	Cover, Belt, Deck, LH	1
2	683-0254	Bracket, Deck Hanger LH	1	30	731-3005	Front Roller	1
3	683-0611	Deck Assembly, 38 inch	1	31	731-1032B	Chute Assembly, Side Discharge —	1
4	703-1890	Wheel, Deck, 5.0 OD w/ Fitting	2			Includes the following parts:	
	741-0108	Bearing, Flange	4		703-1693A	Bracket, Mounting	1
	737-0280	Fitting, Lube	2		711-0792	Pin, Hinge	1
5	710-0134	Screw, Carriage, 1/4-20 x .62	1		726-0106	Cap, Push	1
6	710-0599	Screw, Hx. Wash, Hd, Tapp 1/4-20 x .5	6		732-0602A	Spring, Torsion	1
7	710-0502A	Screw, Hx. Wash, Hd, Sems Tapp 3/8-16 x 1.25	2	32	732-0306	Spring, Compression, .406 x .531 x	2
8	710-0528	Screw, 5/16-18, 1.25, Gr5	2	33	732-0556	Spring, Extension .94 x 7.57	1
9	710-0602	Screw, Hx. Wash, Hd, Tapp, 5/16-18 x 1.0	1	34	734-0973	Wheel Deck 5.0 x 1.38	2
10	710-0650	Screw, Hx. Wash, Hd, Tapp, 5/16-18, 0.875	8	35	736-0119	Washer, Lock, 5/16, Regular Duty	1
11	710-0726	Screw, Hx. Wash, Hd, Tapp, 5/61-12 x .75	6	36	736-0270	Washer, Belleville, .265 x .75 x .062	3
12	710-0751	Screw, 1/4-20, .620, Gr5	3	37	737-3000	Fitting, 3/16 Drive Lube	2
13	710-1889	Bolt, Spindle, 3/4-16, 5.85	2	38	738-0372A	Spacer, Shoulder, 1.00 x .38 x .38	1
14	710-3144	Screw, Hx. Cap, 3/8-16, 2.00, Gr5	1	39	738-0373	Shoulder Screw	2
15	711-3314	Roller Pin 1/2" x 7.31 Lg	1	40	738-3056	Shoulder Screw - 1/2 Dia x 2.50 Lg.	2
16	712-0431	Nut, Hx. Flange Lock, 3/8-16	5	41	747-1116	Rod, Handle, Deck Release .375 Dia	2
17	712-3004A	Nut, Hx. Flange Lock, 5/16-18, Gr5	1	42	748-3065	Spacer, Spindle, Deck	4
18	712-3006	Nut, Hex, 1/4-20, Gr5	2	43	750-1000	Spacer, .80 x 1.10 x 1.330	2
19	712-3010	Nut, Hex, 5/16-18, Gr5	1	44	754-0641	Belt, V-Type	1
20	712-3027	Nut, Hx. Flange Lock, 1/4-20	1	45	756-0627B	Pulley, Idler, 3.50 Dia.	2
21	712-3078	Nut, Hx. Flange, 3/4-16	2	46	756-1229	Pulley, Idler, 4.06 Dia. w/ Flange	1
22	712-3087	Nut, Wing, 1/4-20	1	47	756-3106	Pulley, Spindle	2
23	714-0470	Pin, Cotter, 1/8 x 1.25	2	48	759-3829	Blade, 19.38 Lg, 3-in-1	2
24	714-3004	Pin, Cotter, 3/32 x 1.25	1	49	783-1297	Deck Skirt, Mulching	1
25	717-1553B	Adjustment Gear, Deck	1	50	783-1417A	Bracket, Idler, Arm	1
26	726-0233	Nut, Push, .25 ID x .50 OD	2	51	783-1418	Bracket, Idler	1
27	731-2231B	Cover, Belt, Deck	1	52	618-3129A	Spindle Housing Assembly —	2
28	731-2363	Plug, Mulch	1			Includes Ref. Nos. 53 thru 56	
				53	721-3018A	Seal, Oil, Single Lip	4
				54	741-3028	Bearing, Cone	4
				55	741-3029	Cup, Bearing	4
				56	750-3190A	Spacer, Bearing, .780 x 1.000 x	2

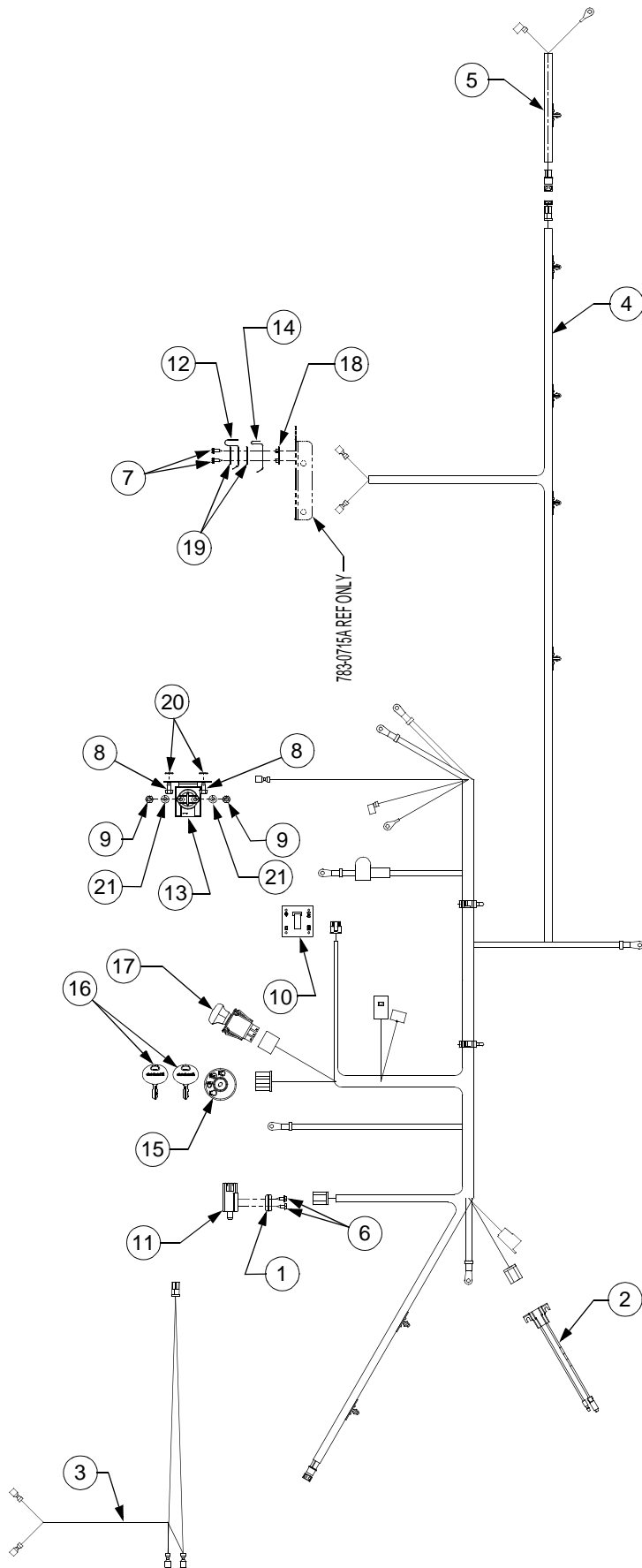
HYDROSTATIC TRANSMISSION



HYDROSTATIC TRANSMISSION

REF. NO.	PART NUMBER	DESCRIPTION	QTY.	REF. NO.	PART NUMBER	DESCRIPTION	QTY.
1	HG-70721	Main Housing, Assembly, Black	1	56	HG-2003017	Washer	1
2	HG-70720	Side Housing, Assembly, Black	1	57	737-3121	20W-50 Oil (Gal)	78.8
3	HG-70724	Center Section, Assembly	1	58	HG-44092	Brake Yoke	1
4	HG-51048	Swashplate, Trunnion Machined	1	59	HG-51072	Rotor, Brake	1
5	HG-70331	Block - Assembly	1	60	HG-44132	Brake Puck	2
6	HG-50928	Sealant	10.5	61	HG-44134	Puck Plate	1
7	HG-51190	Hex Flange Screw 1/4-20 x 1.25	14	62	HG-44127	Brake Actuating Pin	2
9	HG-51062	Shaft, Input	1	63	HG-51146	Bolt, Special Flange, 1/4-20 x 2 w/patch	2
10	HG-2000022	Ring - Retaining	1	65	HG-23711	Spacer	1
11	HG-50951	Spacer	1	66	HG-51345	Spring, Brake Arm Bias	1
12	HG-50329	Ring - Retaining	3	67	HG-44138	Square Head Bolt 5/16-24- Ribbed	1
13	HG-51161	Seal, Lip .67 x 1.58 x .276	1	68	HG-44094	Arm, Brake	1
14	HG-50315	Ball Bearing 17mm x 40mm x 12mm	1	69	HG-44142	Slotted Hex Nut 5/16-24	1
16	HG-51064	Hex Flange Hd. Screw 5/16-24 x 0.75	1	70	HG-44101	Cotter Pin 3/32 x 3/4	1
17	HG-51140	Lip Seal 18 x 32 x 7	1	71	HG-50919	Compression Spring Brake Anti-drag	1
18	HG-51119	Arm, Control	1	72	HG-50132	Washer, Ht .5 ID x 1 OD x .032	3
19	HG-50551	Bearing, 30x52x13 Thrust	2	73	HG-44130	Flat - Washer 11/32 ID x 7/8 OD	2
23	HG-51084	Check Plug Ass'y, .027, Washer	2	74	HG-44761	Oil Seal .625 x 1.0 x.25	1
24	HG-50966	Shaft, Motor	1	83	HG-9004800-2506	Pin, Standard Headless	2
27	HG-51130	Gear - Pinnion, 13t	1	84	HG-51143	Fitting, 5/16 Sae 5/32 Tube	1
28	HG-51129	10t / 48t Gear	1	85	HG-51147	Hose, Expansion Tank	1
29	HG-51043	Gear, 10t Jackshaft	1	87	HG-51251	Cap, Vent	1
30	HG-51044	60t Bull Gear	1	88	HG-50653	Bolt, Self Tapping 10-32 x 1/2	1
31	HG-51088	Sleeve Bearing .75 x 1.750 x .625	2	94	HG-44147	Ball Bearing .62 ID x 1.38 x .44	1
32	HG-51517	Sleeve Bearing 1.00 x 1.575 x .625	2	95	HG-50837	Socket Head Screw, 5/16-24 x 1-1/2	1
33	HG-44875	Washer, 3/4 ID x 1-1/2 OD x .13	2	96	HG-51200	Spacer, Locating	1
34	HG-51518	Lip Seal Axle Seal	2	97	HG-50870	Screw	1
35	HG-51520	Shaft, Axle 1.00 x 11.99 Flange	1	98	HG-51120	Arm, Return	1
36	HG-51521	Shaft, Axle 1.00 x 17.59 Flange	1	99	HG-51097	Puck, Adjusting	1
37	HG-44096	Miter Gear (Splined)	2	100	HG-51122	Washer, .325 OD x 1.60 ID x .150	1
38	HG-44097	Miter Gear 15t (0.5 ID)	2	101	HG-51131	Spring, Extension	1
39	HG-50146	Shaft	1	102	HG-51123	Spacer .560 OD x .260 ID x .870	1
40	HG-44871	Ring, Spiral Retaining	2	103	HG-51223	Bracket, Torque	1
41	HG-51083	Pin, Jackshaft	1	107	HG-51134	Deflector	1
42	HG-51100	Magnet, Ring	1	108	HG-51069	Washer, Shaft .71 x 1.15 x .030	1
43	HG-51136	Spring, Bypass	1	109	HG-9005110-5600	Plug, SAE #6	1
44	HG-50016	Hydro Mounting Screw 3/8-24 x 2.5 Lg	2	110	HG-50868	Torx Head Screw, 5/16-18	1
45	HG-51132	Filter	1	111	HG-51144	O-ring .07 x .301 ID	1
46	HG-51133	Base, Filter	1	113	HG-51179	Bracket, support Expansion Tank	1
47	HG-51091	Actuator, Bypass	1	114	HG-51184	Spring Guide	1
48	HG-51098	Rod, Bypass Actuator	1	116	HG-51196	Silicon Sponge	1
49	HG-51135	Arm, Bypass	1	120	HG-70725	Center Section-Filter-Bypass Ass'y	1
50	HG-51116	Retaining Ring 0.250 External	1	121	HG-70466	Filter Assembly	1
51	HG-51081	Seal, Lip .741 x .250 x .250 Tc	1	122	HG-70722	Seal - O-ring Kit	1
52	HG-44371	Flat Washer, 5/8 ID x 1.0 OD x .05	1	128	HG-70503	Kit, Expansion Tank	1
53	HG-44145	Retaining Ring	1	129	HG-51252	Cap, Expansion Tank Shipping	1
54	HG-51071	Bearing, Center Block	1	135	HG-70723	Block, Assembly 7 Piston	1
55	HG-2003014	Spring - Helical Compression	1				

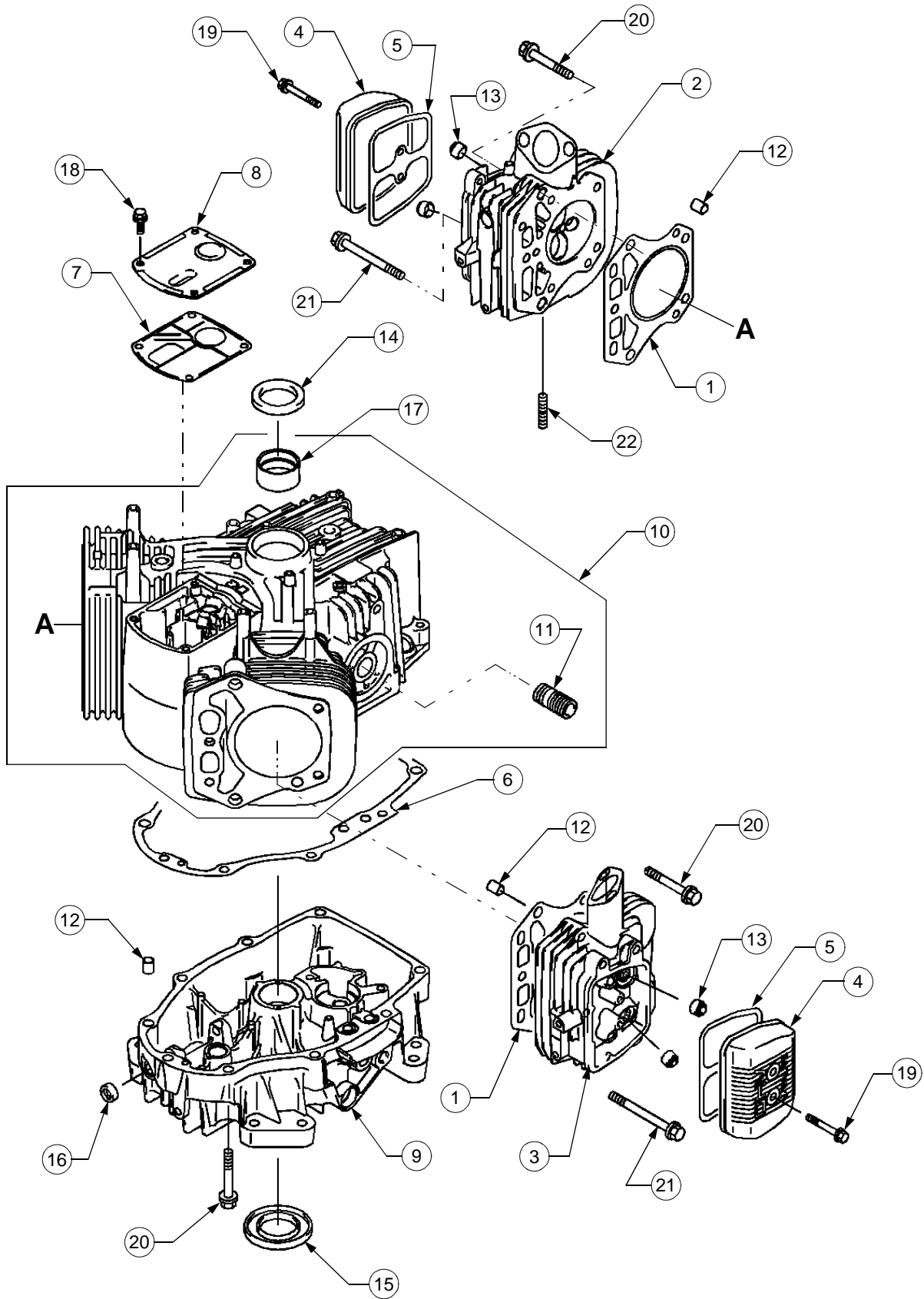
ELECTRICAL SYSTEM



ELECTRICAL SYSTEM

REF. NO.	PART NUMBER	DESCRIPTION	QTY.
1	17962	Plate, Switch	1
2	629-04019	Harness Assembly, Kawasaki	1
3	629-0469B	Harness Assembly, Headlight	1
4	629-1105	Harness Assembly	1
5	629-1106	Harness Assembly, Safety, Reverse	1
6	710-0224	Screw, Hx. Wash. Hd. Tapp, 10-16 x .5	2
7	710-0227	Screw, Hx. Wash. Hd. Tapp, 8-18 x .5	2
8	710-0599	Screw, Hx. Wash. Hd. Tapp, 1/4-20, 0.5	2
9	712-3006	Nut, Hex, 1/4-20, Gr5	2
10	725-04022	Indicator/ Meter Hour	1
11	725-04039	Switch, Interlock	1
12	725-1303	Switch, Outer Seat Spring	1
13	725-1426	Solenoid, Starter, 12V	1
14	725-1439	Switch, Inner Seat Spring	1
15	725-1741	Switch, Key, 4-Position	1
16	725-2054	Key, Switch, Plastic	2
17	725-3233	Switch, Electric PTO, Yellow Knob	1
18	726-0278	Plate, Insulator Boss	1
19	726-0279	Plate, Insulator	2
20	736-0222	Washer, Lock, Ext 1/4	2
21	736-0329	Washer, Lock, 1/4	2

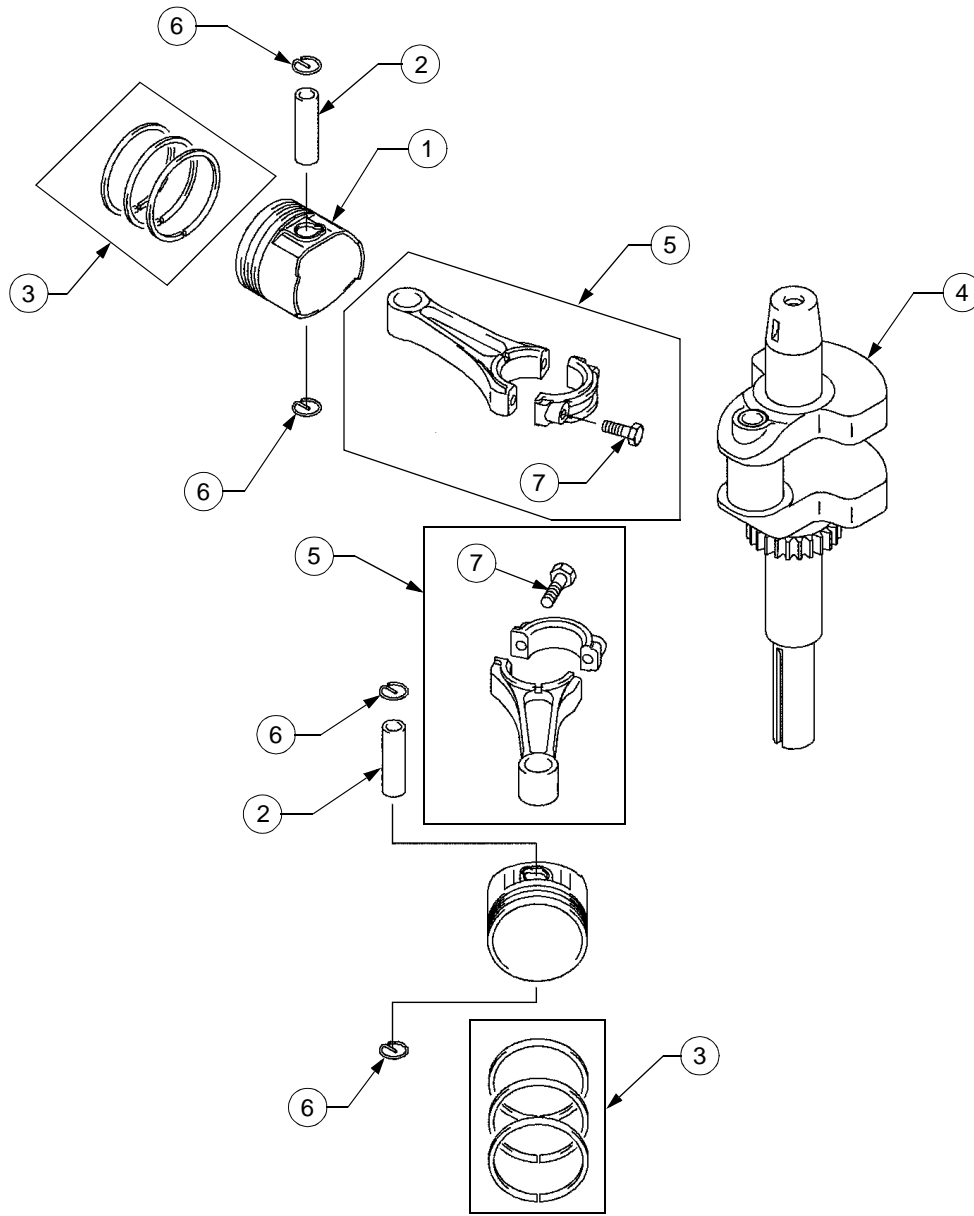
CYLINDER/CRANKCASE



CYLINDER/CRANKCASE

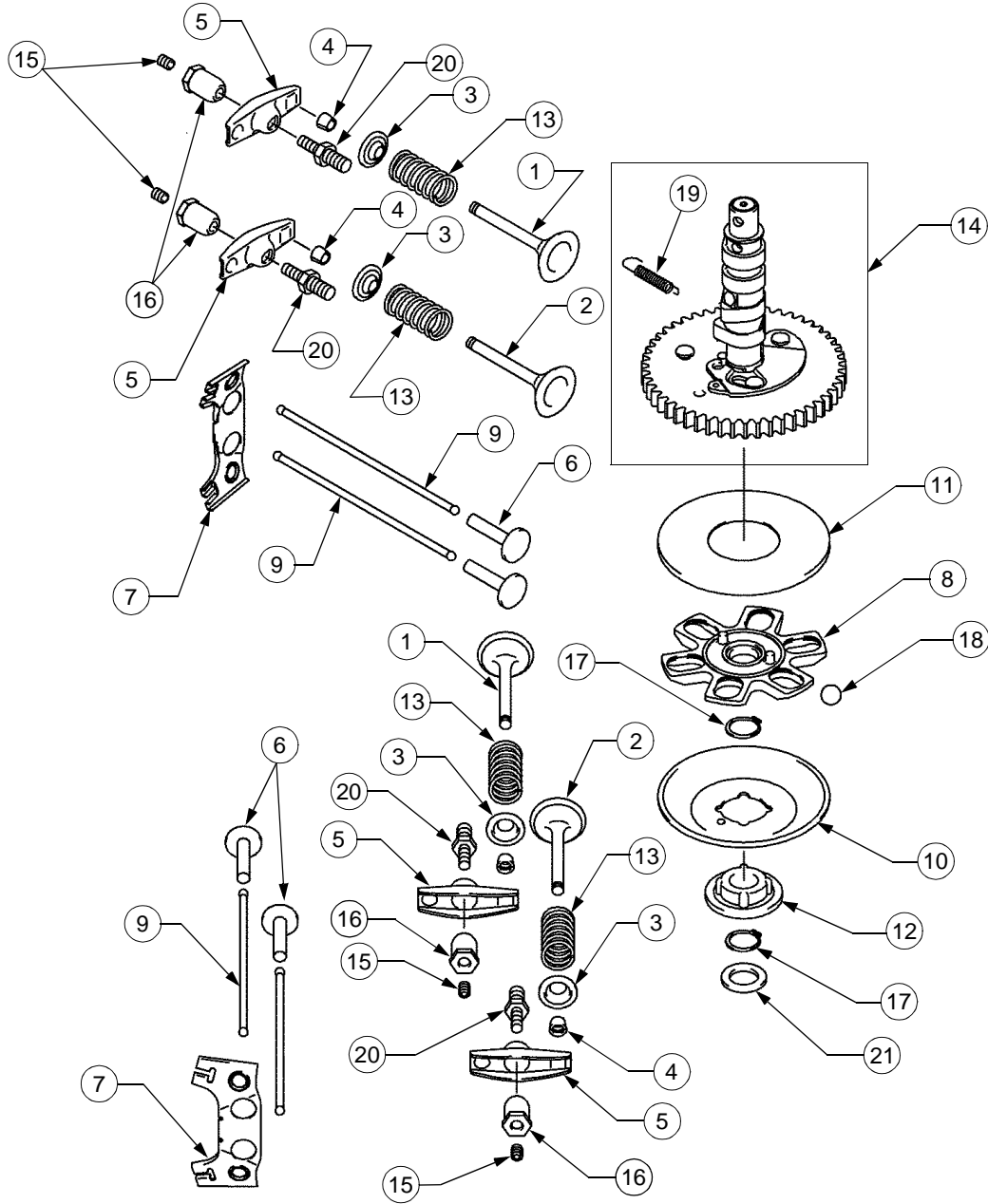
REF. NO.	PART NUMBER	DESCRIPTION	QTY.
1	KM-11004-7008	Gasket, Head	2
2	KM-11008-7010	Head, Cylinder #1 Complete	1
3	KM-11008-7011	Head, Cylinder #2 Complete	1
4	KM-11022-7003	Case, Rocker	2
5	KM-11060-7001	Gasket, Rocker Case	2
6	KM-11061-7007	Gasket, Crankcase Cover	1
7	KM-11061-7008	Gasket, Breather	1
8	KM-14091-7007	Cover	1
9	KM-49015-7009	Cover, Crankcase	1
10	KM-49120-7015	Crankcase, Complete	1
11	KM-59071-2079	Joint	1
12	KM-92043-7001	Pin	6
13	KM-92049-7001	Seal, Oil rvc2 6x11x10.2	4
14	KM-92049-7002	Seal, Oil 35-48-8 Tc	1
15	KM-92049-7004	Seal, Oil 35-62-8 Tc	1
16	KM-92049-7005	Seal, Oil 8x14x5 Hs	1
17	KM-92139-7002	Bushing	1
18	KM-130B0612	Bolt, Flanged	4
19	KM-130B0640	Bolt, Flanged	4
20	KM-130T0850	Bolt, Flanged	17
21	KM-130T0875	Bolt, Flanged	2
22	KM-172G0818	Bolt, Stud	4

PISTON/CRANKSHAFT



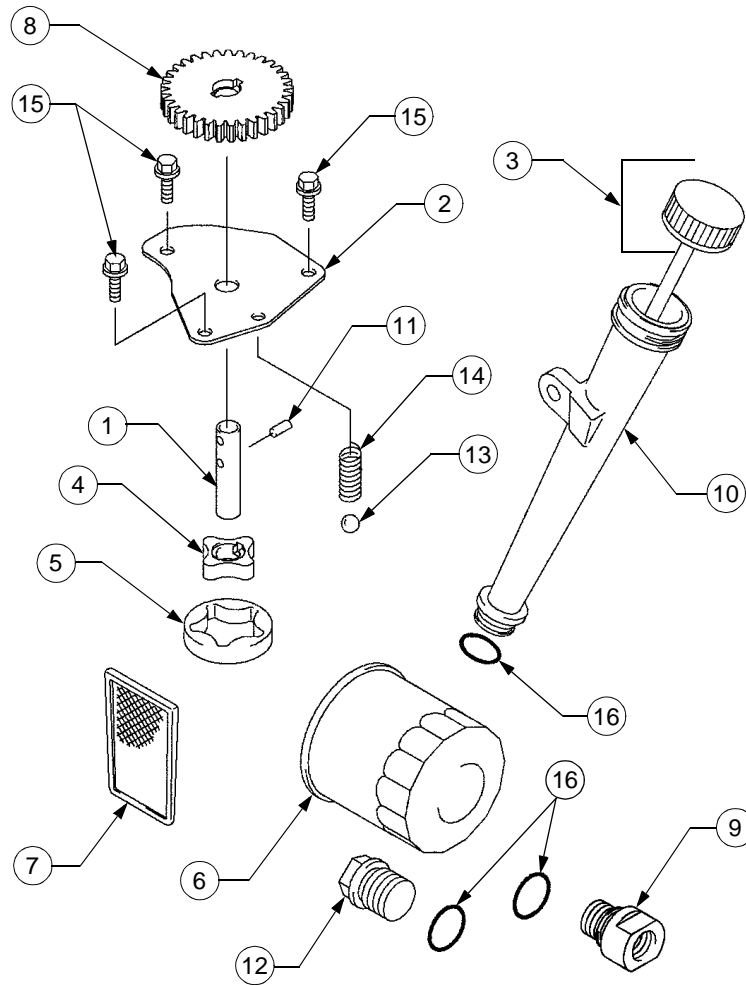
REF. NO.	PART NUMBER	DESCRIPTION	QTY.
1	KM-13001-7009	Piston, Engine	2
	KM-13029-7005	Piston, Engine L,0.50	AR
2	KM-13002-7001	Pin, Piston	2
3	KM-13008-7001	Ring Set, Piston	2
	KM-13025-7003	Ring Set, Piston L,0.50	AR
4	KM-13031-7033	Crankshaft, Comp	1
5	KM-13251-7007	Rod Assy, Connecting	2
	KM-13251-7008	Rod Assy, Connecting,U/S=0.50	2
6	KM-92033-7005	Ring, Snap	4
7	KM-130G0630	Bolt, Flanged	4

VALVE/CAMSHAFT



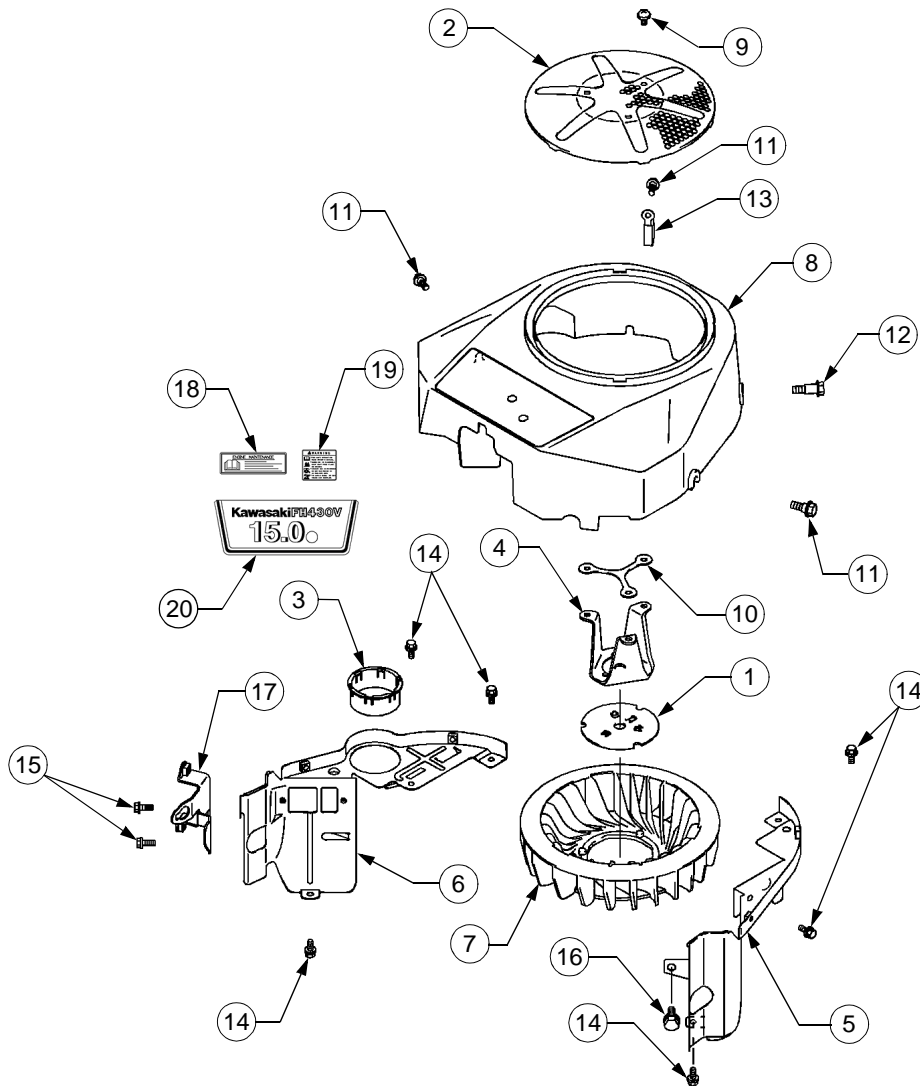
REF. NO.	PART NUMBER	DESCRIPTION	QTY.	REF. NO.	PART NUMBER	DESCRIPTION	QTY.
1	KM-12004-7003	Valve, Intake	2	12	KM-42036-7001	Sleeve	1
2	KM-12005-7003	Valve, Exhaust	2	13	KM-49078-7001	Spring, Engine Valve	4
3	KM-12009-7001	Retainer, Valve Spring	4	14	KM-49118-7009	Camshaft, Comp	1
4	KM-12011-2056	Collet	8	15	KM-92009-2341	Screw	4
5	KM-12016-7001	Arm, Rocker	4	16	KM-92015-2253	Nut	4
6	KM-12032-7001	Tappet	4	17	KM-92033-7001	Ring, Snap	2
7	KM-13070-7001	Guide	2	18	KM-92140-7002	Ball	6
8	KM-13070-7004	Guide	1	19	KM-92145-7001	Spring	1
9	KM-13116-2057	Rod, Push	4	20	KM-92151-7019	Bolt	4
10	KM-13270-7002	Plate	1	21	KM-92200-7001	Washer	1
11	KM-13271-7007	Plate	1				

LUBRICATION



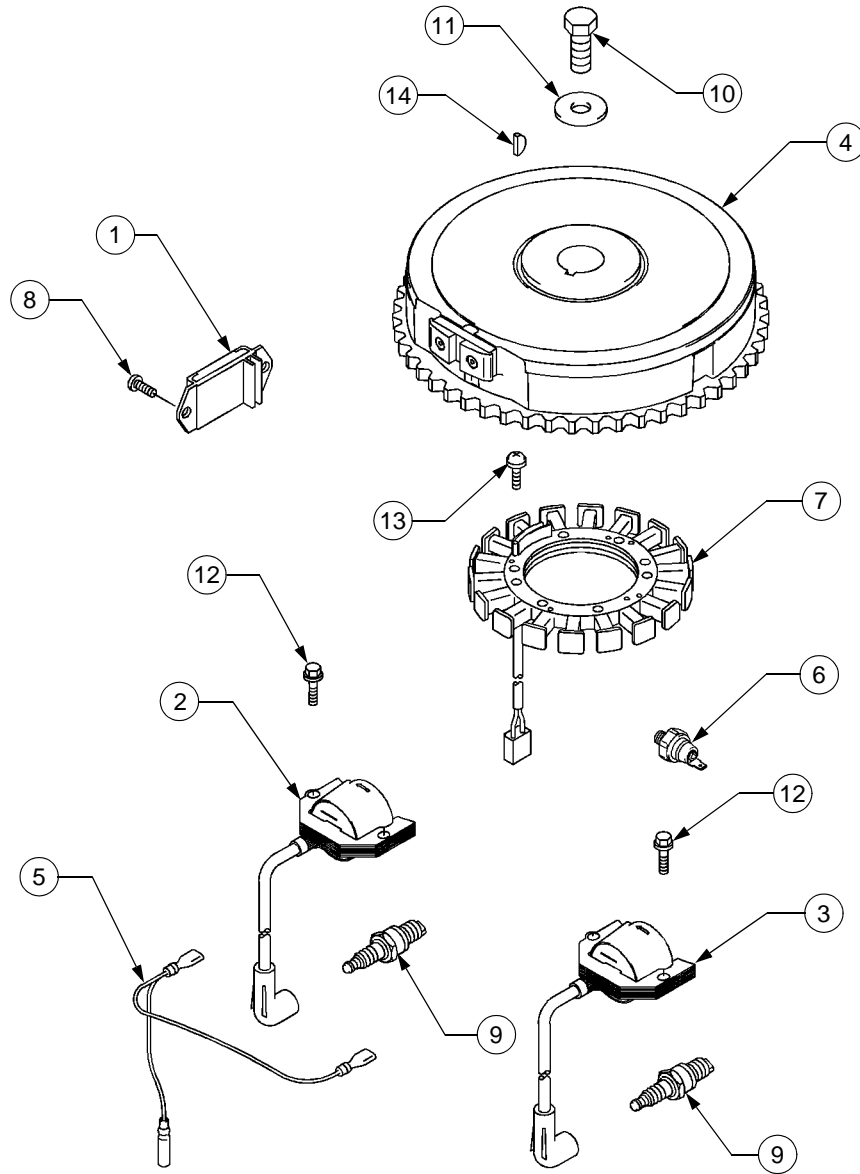
REF. NO.	PART NUMBER	DESCRIPTION	QTY.
1	KM-13107-7009	Shaft	1
2	KM-13271-7017	Plate	1
3	KM-14075-7001	Cap Assy	1
4	KM-16154-2053	Rotor, Pump - In	1
5	KM-16154-2054	Rotor, Pump - Out	1
6	KM-49065-2078	Filter, Oil	1
7	KM-49065-7004	Filter, Oil	1
8	KM-59051-7011	Gear, Spur	1
9	KM-59071-7004	Joint	1
10	KM-59231-7003	Filler	1
11	KM-92043-7003	Pin	2
12	KM-92066-7003	Plug	1
13	KM-92140-7003	Ball	1
14	KM-92145-7002	Spring	1
15	KM-130B0612	Bolt, Flanged	3
16	KM-670D2016	O Ring, 16mm	3

COOLING



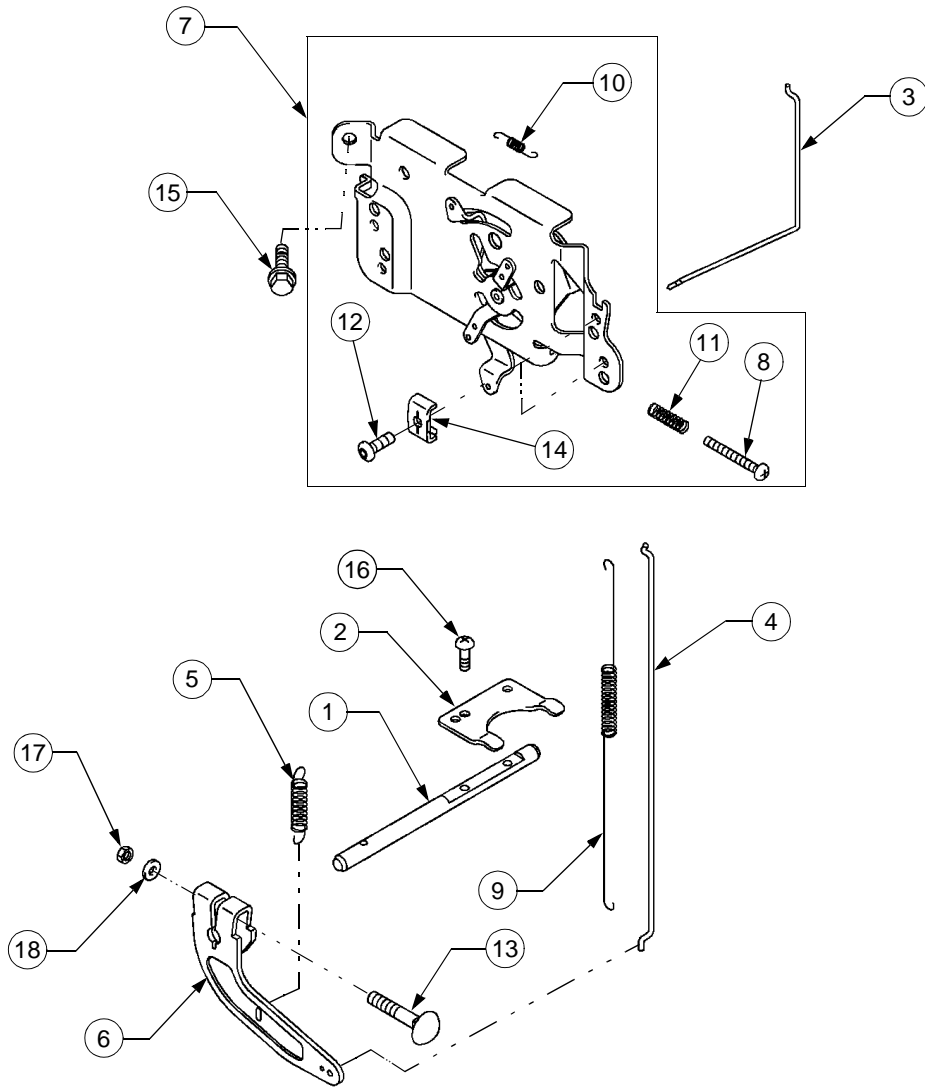
REF. NO.	PART NUMBER	DESCRIPTION	QTY.	REF. NO.	PART NUMBER	DESCRIPTION	QTY.
1	KM-13270-7007	Plate	1	11	KM-92153-7007	Bolt	3
2	KM-14037-7010	Screen	1	12	KM-92153-7008	Bolt	1
3	KM-14091-7008	Cover	1	13	KM-92171-7005	Clamp	1
4	KM-23062-7008	Bracket, Comp	1	14	KM-130B0612	Bolt, Flanged	6
5	KM-49089-7023	Shroud, Engine, #2 Cylinder	1	15	KM-130B0616	Bolt, Flanged	2
6	KM-49089-7025	Shroud, Engine	1	16	KM-130B0816	Bolt, Flanged	1
7	KM-59041-7001	Fan	1	17	KM-23062-7004-9H	Bracket	1
8	KM-59066-7008	Housing, Fan	1	18	KM-56033-7001	Label, Manual	1
9	KM-92009-7008	Screw, 6x10	3	19	KM-56070-7001	Label, Warning	1
10	KM-92026-7007	Spacer	1	20	KM-56080-7016	Label, Brand	1

ENGINE ELECTRICAL/IGNITION



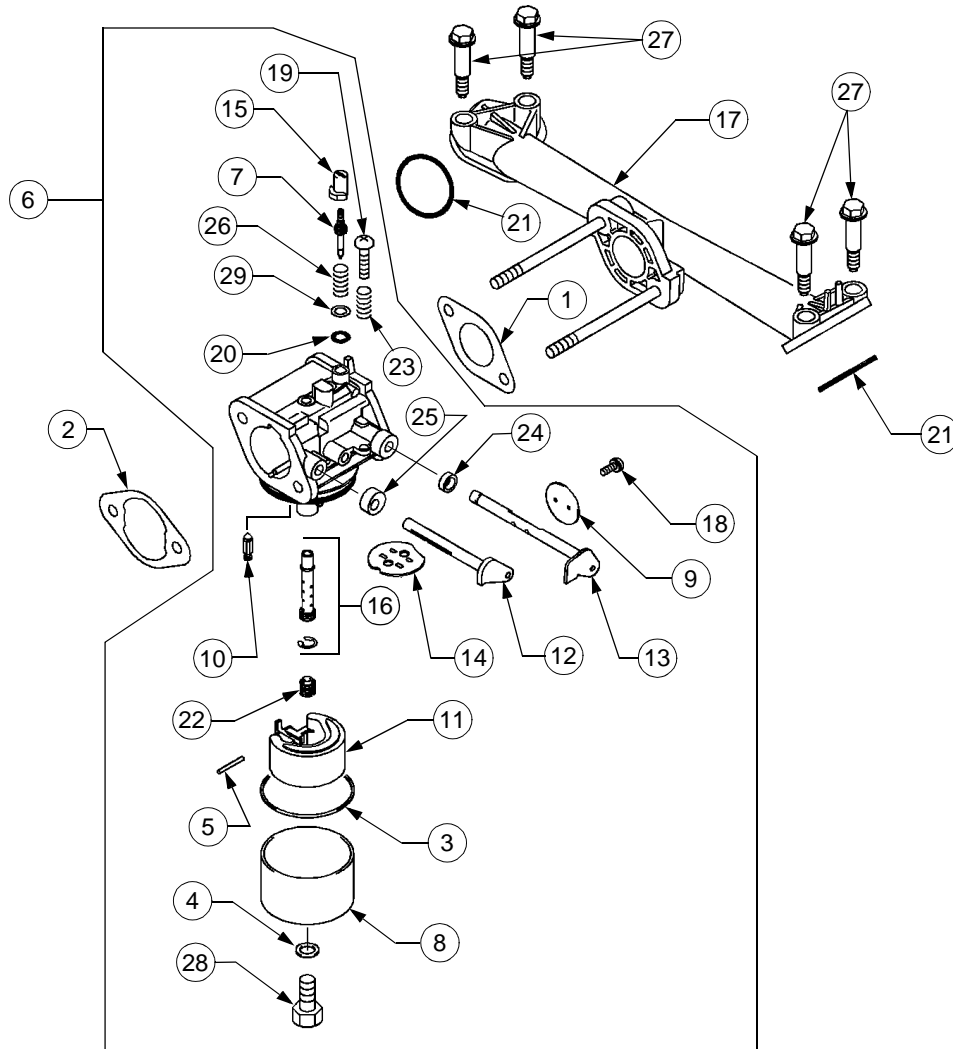
REF. NO.	PART NUMBER	DESCRIPTION	QTY.	REF. NO.	PART NUMBER	DESCRIPTION	QTY.
1	KM-21066-7001	Regulator, Voltage	1	8	KM-92009-2308	Screw	2
2	KM-21171-7007	Coil Assy, Ignition	1	9	KM- 92070-7003	Plug, Spark - RCJ8Y	2
3	KM-21171-7008	Coil Assy, Ignition	1	10	KM-92151-2097	Bolt, 12x30	1
4	KM-21193-7016	Flywheel Assy	1	11	KM-92200-7002	Washer	1
5	KM-26030-7001	Harness	1	12	KM-130B0620	Bolt, Flanged	4
6	KM-27010-7002	Switch, Oil Pressure	1	13	KM-224B0520	Screw, Pan Hd. Cross	4
7	KM-59031-7001	Coil, Charging	1	14	KM-510A5100	Key, Woodruff	1

ENGINE CONTROL



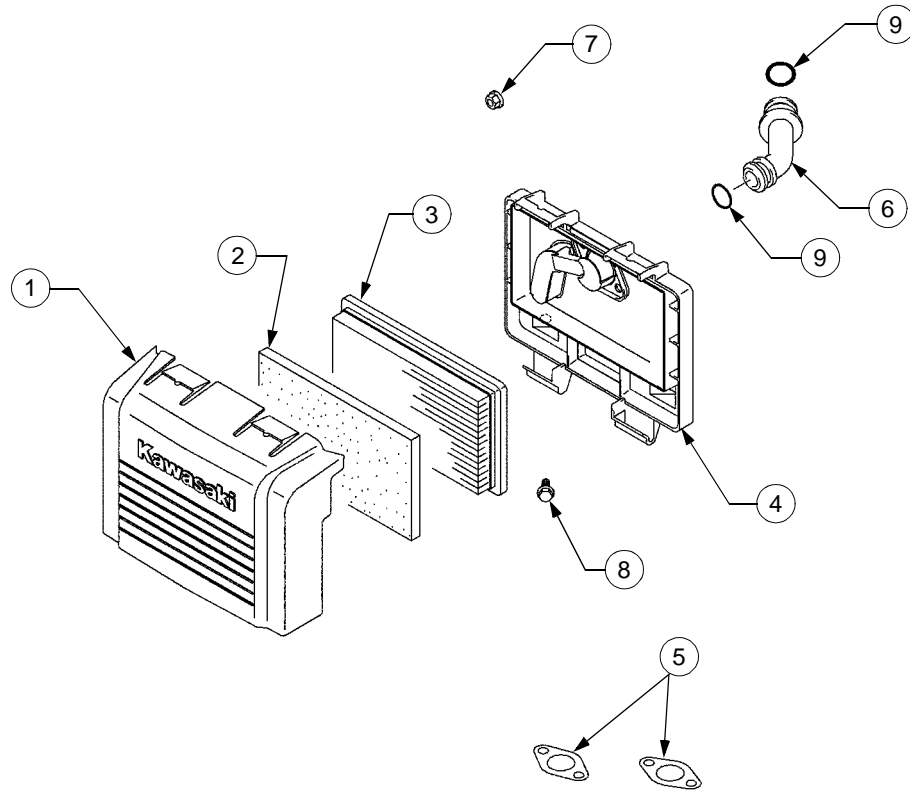
REF. NO.	PART NUMBER	DESCRIPTION	QTY.	REF. NO.	PART NUMBER	DESCRIPTION	QTY.
1	KM-13107-7010	SHaft	1	10	KM-92145-7004	Spring	1
2	KM-13271-7018	Plate	1	11	KM-92145-7005	Spring	1
3	KM-16169-7009	Link, Choke	1	12	KM-92150-2182	Screw, Hx, 5x16	2
4	KM-16171-7007	Link	1	13	KM-92153-7005	Bolt, 6x35	1
5	KM-39129-7003	Spring, Governor	1	14	KM-92170-7001	Clamp	2
6	KM-49103-7004	Arm, Governor	1	15	KM-130B0612	Bolt, Flanged	2
7	KM-49113-7022	Panel, Control Comp	1	16	KM-214B0408	Screw, Pan	2
8	KM-92009-7007	Screw, 4x35	1	17	KM-311B0600	Nut, Hex	1
9	KM-92145-7003	Spring	1	18	KM-411B0600	Washer, Plain	1

CARBURETOR/INTAKE MANIFOLD



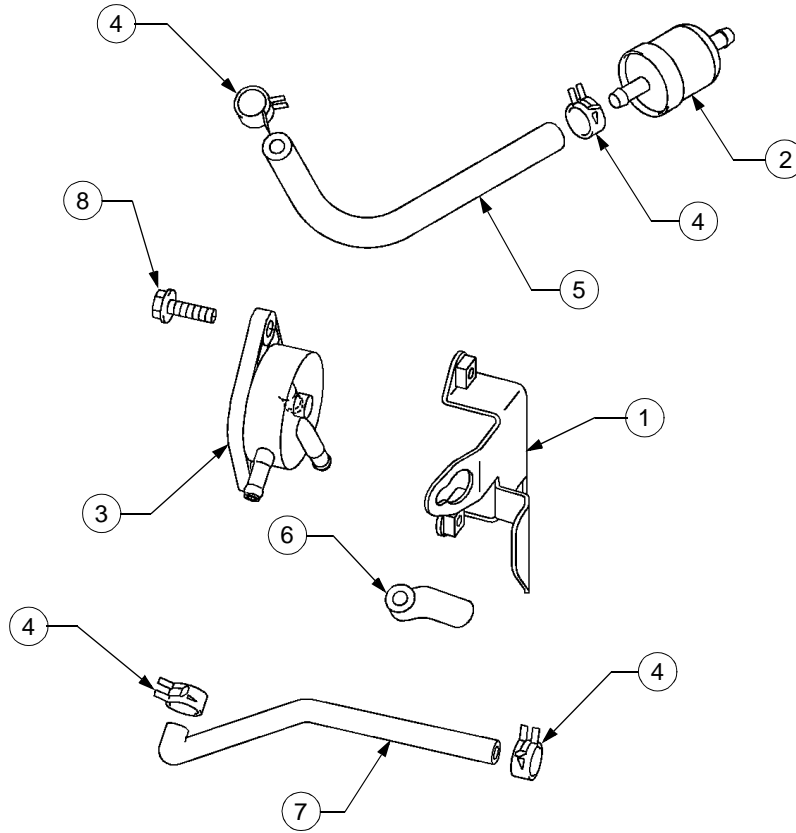
REF. NO.	PART NUMBER	DESCRIPTION	QTY.	REF. NO.	PART NUMBER	DESCRIPTION	QTY.
1	KM-11061-7004	Gasket, Manifold - Carb	1	16	KM-49121-7001	Nozzle, Main	1
2	KM-11061-7005	Gasket, Carb	1	17	KM-59076-7005	Manifold, Intake	1
3	KM-11061-7009	Gasket, Chamber	1	18	KM-92009-2083	Screw	2
4	KM-11061-7010	Gasket	1	19	KM-92009-2349	Screw	1
5	KM-13107-7018	Shaft	1	20	KM-92055-2174	O-Ring	1
6	KM-15003-7047	Carburetor Assy	1	21	KM-92055-7007	O-Ring, Id=31	2
7	KM-16014-7001	Screw, Pilot Air	1	22	KM-92063-7026	Jet, Main, #88	1
8	KM-16020-7003	Chamber, Float	1	23	KM-92081-2234	Spring	1
9	KM-16025-7006	Valve, Throttle	1	24	KM-92093-2100	Seal	1
10	KM-16030-7003	Valve, Float	1	25	KM-92093-7003	Seal	1
11	KM-16031-7002	Float	1	26	KM-92145-7015	Spring	1
12	KM-16041-7016	Shaft, Carburetor Choke	1	27	KM-92153-7009	Bolt	4
13	KM-16041-7018	Shaft, Carburetor Throttle	1	28	KM-92172-7001	Screw	1
14	KM-16186-7002	Valve Assy, Choke	1	29	KM-92200-7014	Washer	1
15	KM-39076-7001	Limiter	1				

AIR FILTER/MUFFLER GASKET



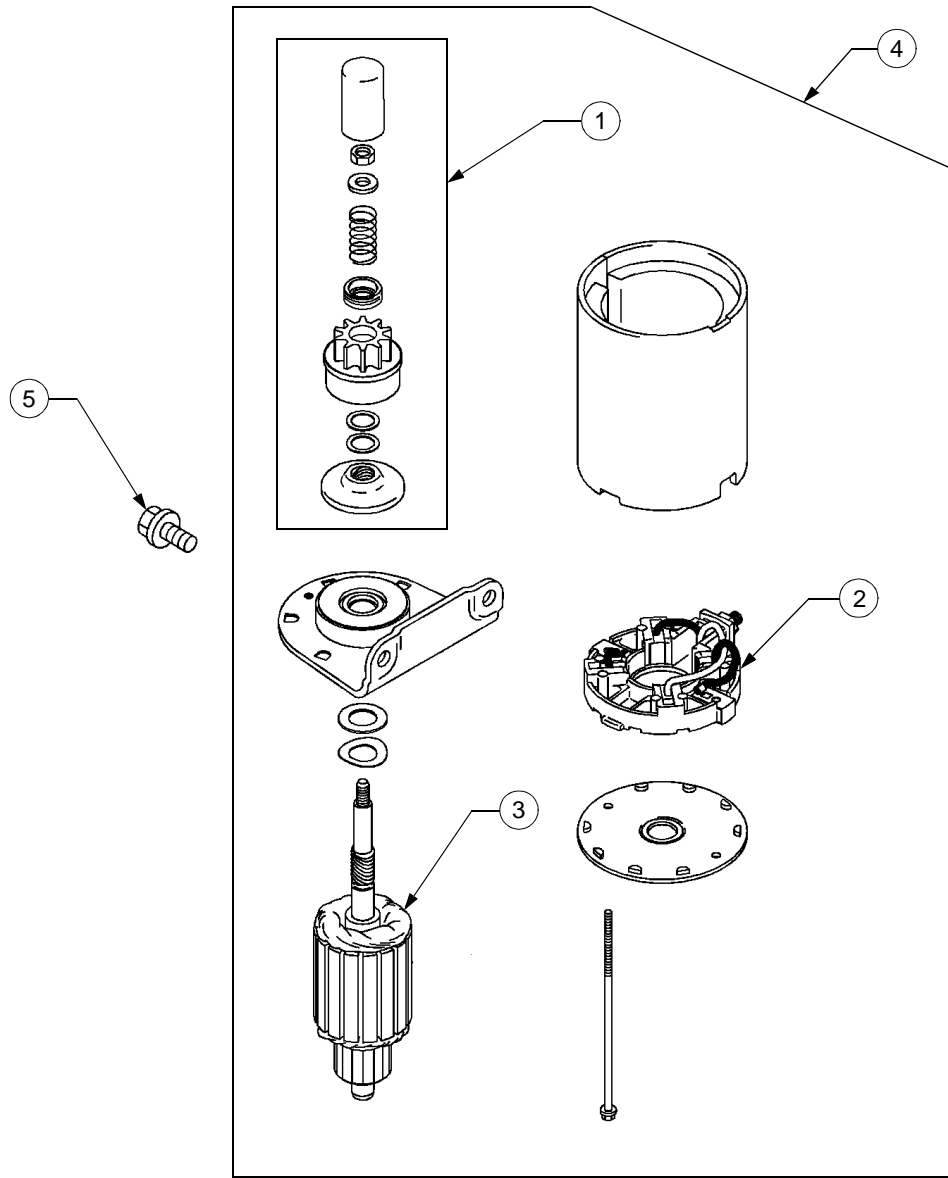
REF. NO.	PART NUMBER	DESCRIPTION	QTY.
1	KM-11011-7009	Case, Air Filter Upper	1
2	KM-11013-7016	Element, Air Filter	1
3	KM-11013-7017	Element, Air Filter	1
4	KM-11038-7004	Case Assy, Air Filter Lower	1
5	KM-11060-7021	Gasket, Muffler	2
6	KM-32153-7007	Pipe, Breather	1
7	KM-92015-1193	Nut	2
8	KM-92153-7007	Bolt	2
9	KM-670B2010	O-Ring,10mm	2

FUEL PUMP/FILTER



REF. NO.	PART NUMBER	DESCRIPTION	QTY.
1	KM-23062-7004-9H	Bracket, Comp	1
2	KM-49019-7001	Filter, Fuel	1
3	KM-49040-7001	Pump, Fuel	1
4	KM-92170-2088	Clamp	4
5	KM-92191-7003	Tube, 6.35x12.7x 160	1
6	KM-92191-7002	Tube	1
7	KM-92191-7004	Tube	1
8	KM-130B0620	Bolt, Flanged	2

ELECTRIC STARTER



REF. NO.	PART NUMBER	DESCRIPTION	QTY.
1	KM-13101-7002	Gear Assy	1
2	KM-21039-7002	Brush	1
3	KM-21080-7003	Armature	1
4	KM-21163-7007	Starter, Electric	1
5	KM-130B0816	Bolt, Flanged	2