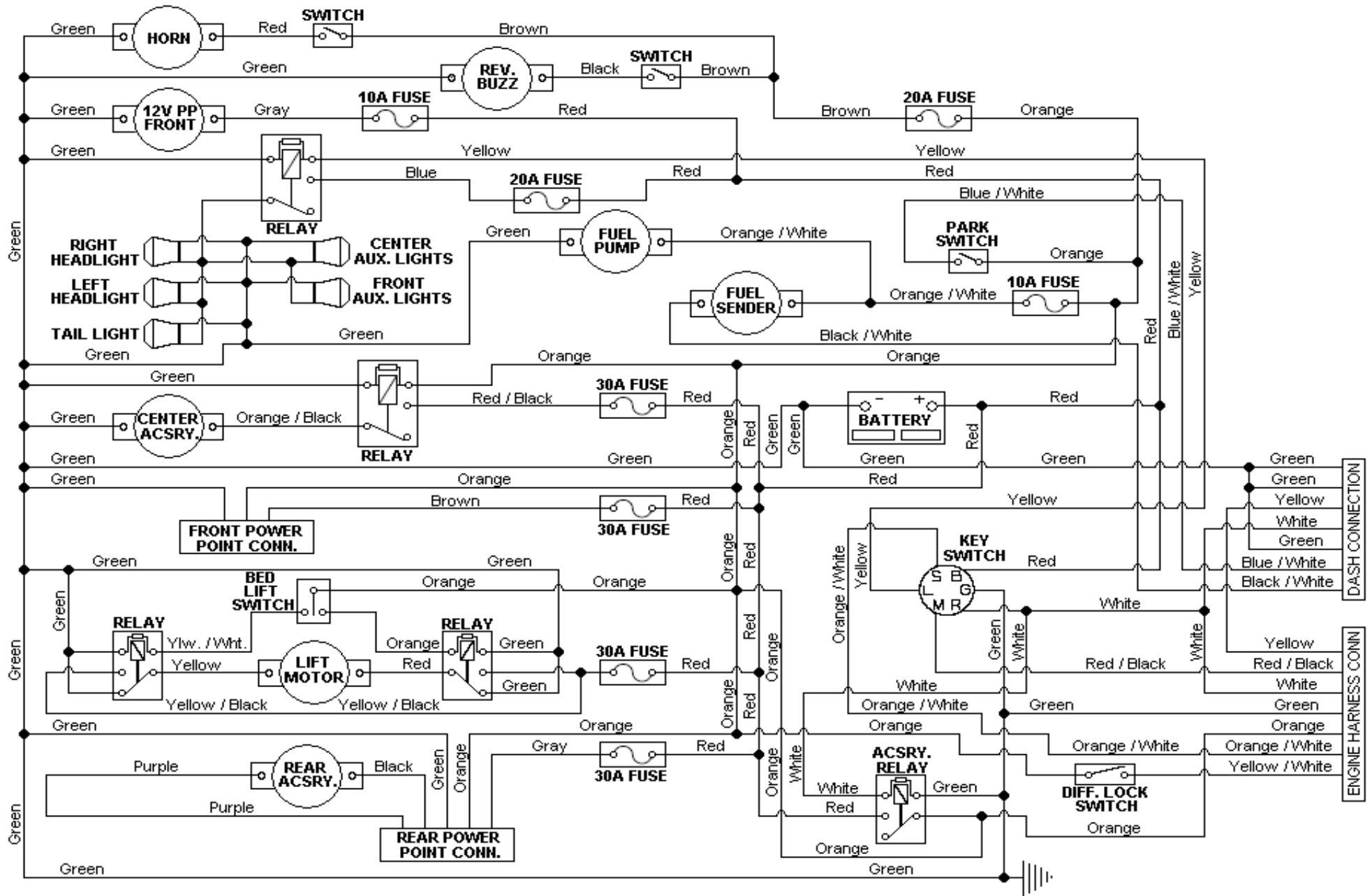
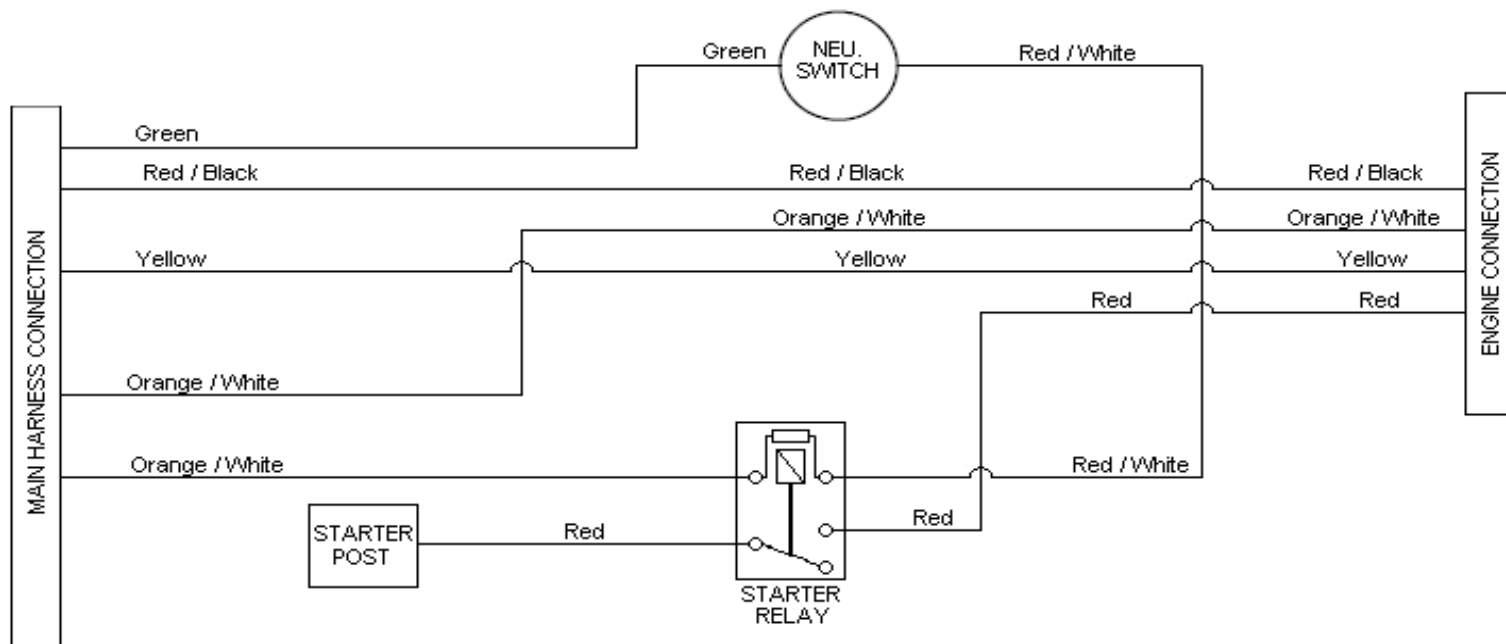


MODEL 4x2 POLY MAIN HARNESS HARNESS NUMBER (725-04172)





**MODEL 4x2 ENGINE HARNESS
HARNESS NUMBER (629-04141)**