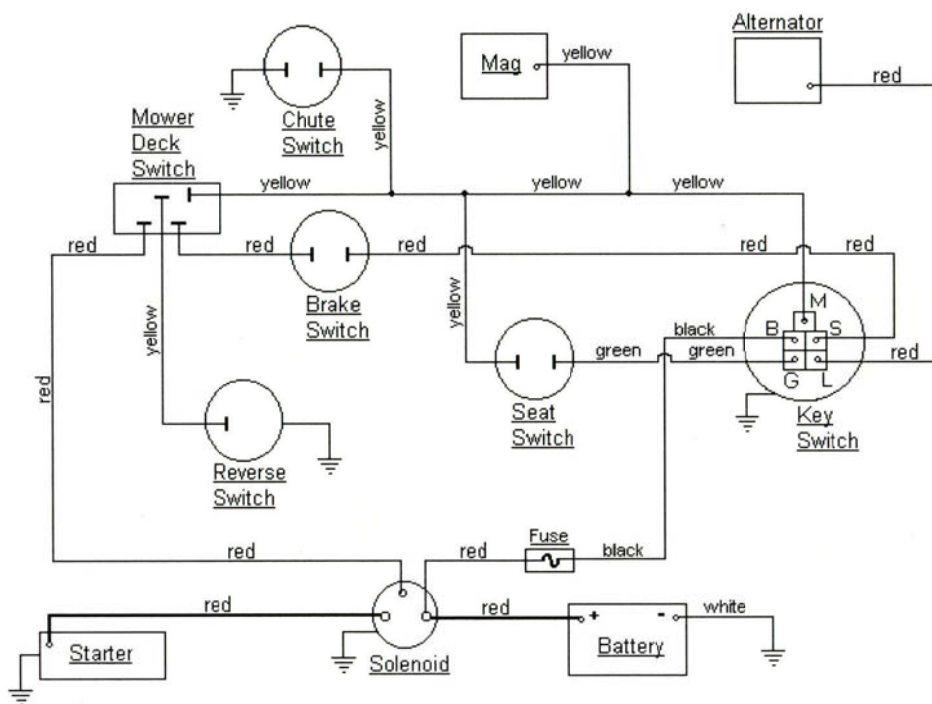


MODEL 1136
(1986)

CUBCADETPARTSNMORE.COM
515-266-7944



KEY SWITCH

OFF	M+G
RUN	B+L
START	B+S