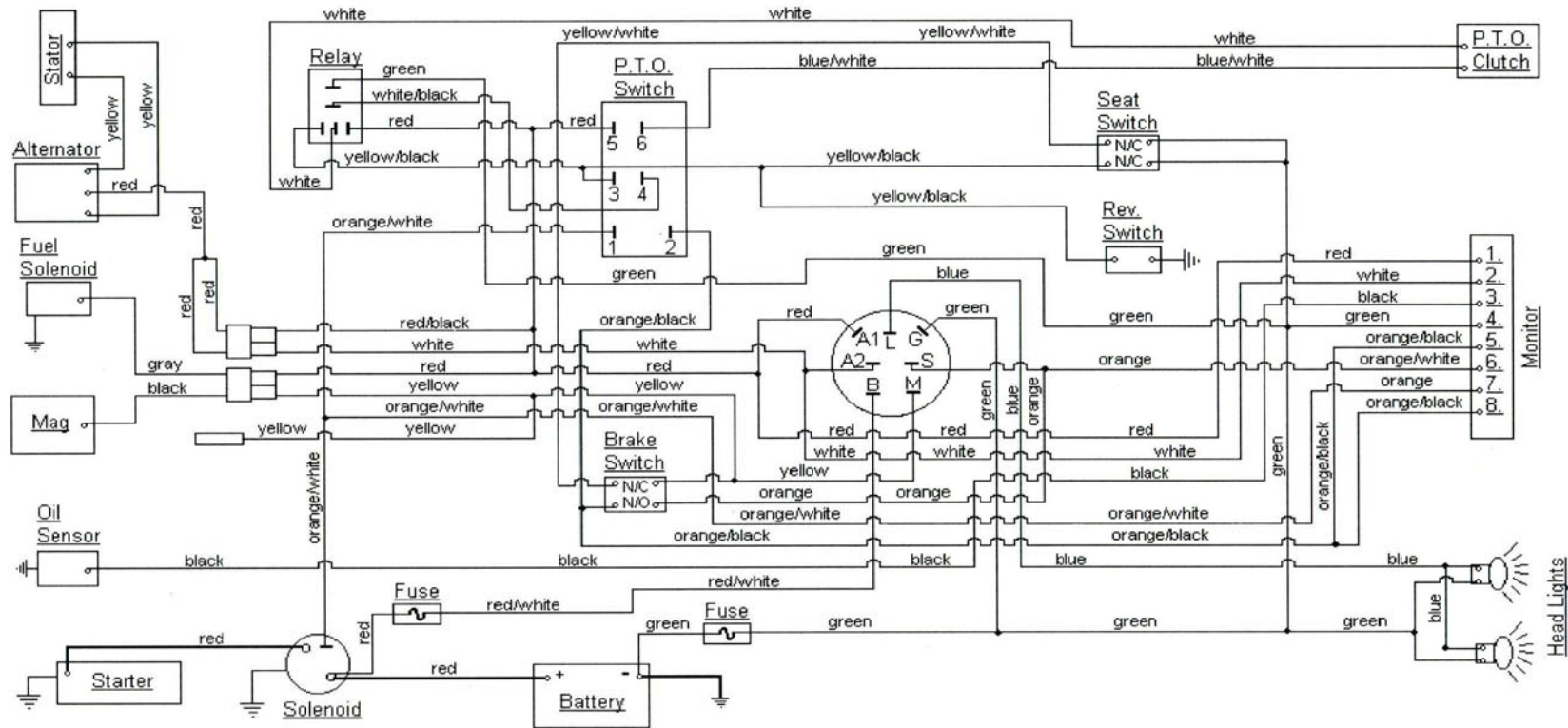


MODEL 1600
HARNESS NUMBER (629-0928)
MONITOR NUMBER (725-1743)

CUBCADETPARTSNMORE.COM
515-266-7944



KEY SWITCH

| | |
|--------------|-------------|
| OFF | M+G+A1 |
| RUN w/LIGHTS | B+A1 / L+A2 |
| RUN | B+A1 |
| START | B+S+A1 |

DASH MONITOR

| | | | |
|----|------------|----|----------|
| 1: | HOUR METER | 5: | BRAKE + |
| 2: | BATTERY | 6: | BRAKE - |
| 3: | LOW OIL | 7: | P.T.O. - |
| 4: | GROUND | 8: | P.T.O. + |