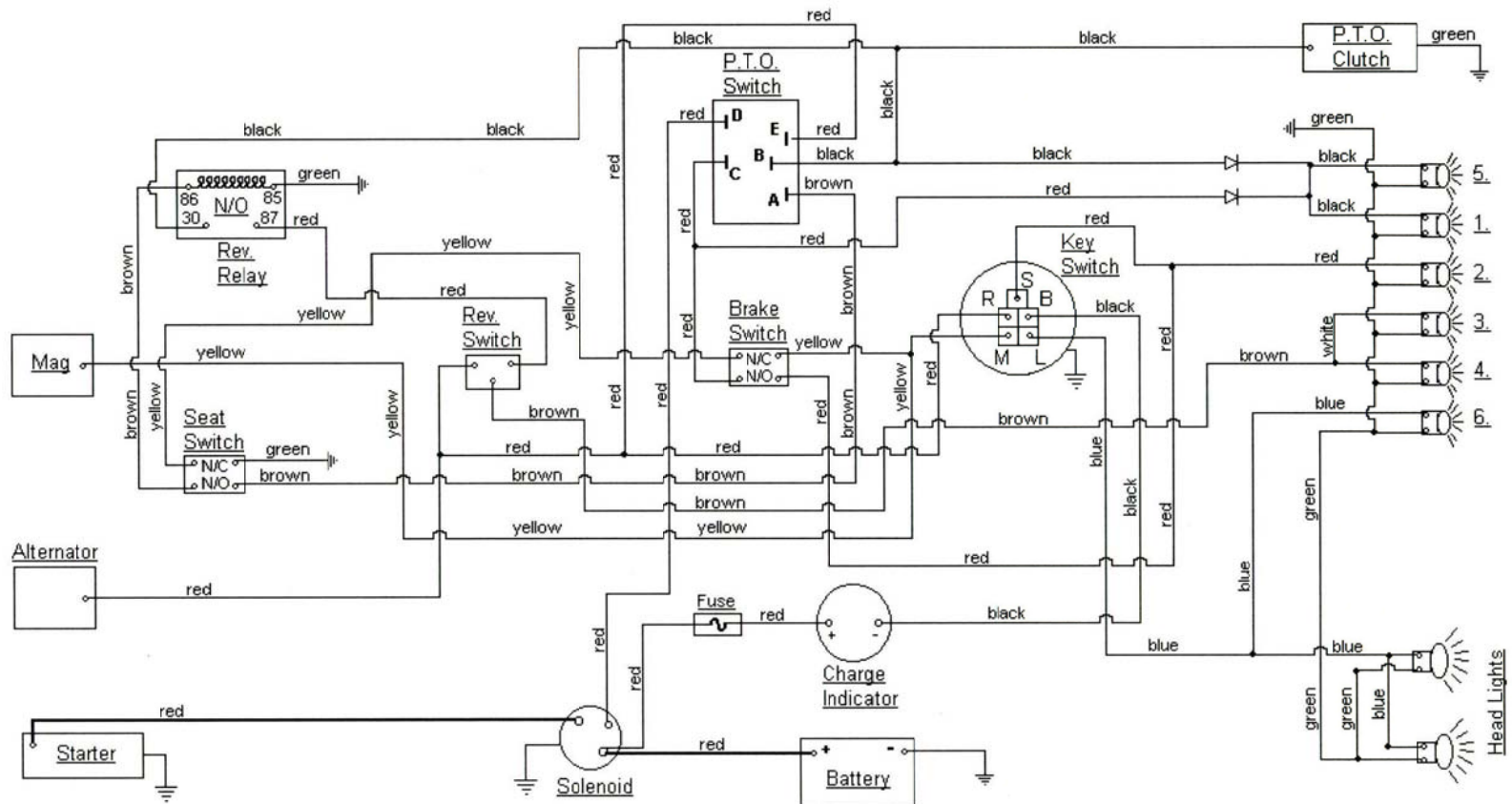


# CUBCADETPARTSNMORE.COM

## 515-266-7944



| PTO SWITCH |       |
|------------|-------|
| OFF        | D+C   |
| ON         | B+A   |
| START      | B+A+E |

| KEY SWITCH   |       |
|--------------|-------|
| OFF          | M+G   |
| RUN w/LIGHTS | B+A+L |
| RUN          | B+A   |
| START        | B+S   |

| DASH LIGHTS           |                           |
|-----------------------|---------------------------|
| 1: P.T.O. ON          | 4: DO NOT ENGAGE P.T.O.   |
| 2: DEPRESS LEFT PEDAL | 5: FULL THROTTLE REQUIRED |
| 3: IN REVERSE GEAR    | 6: FULL THROTTLE REQUIRED |