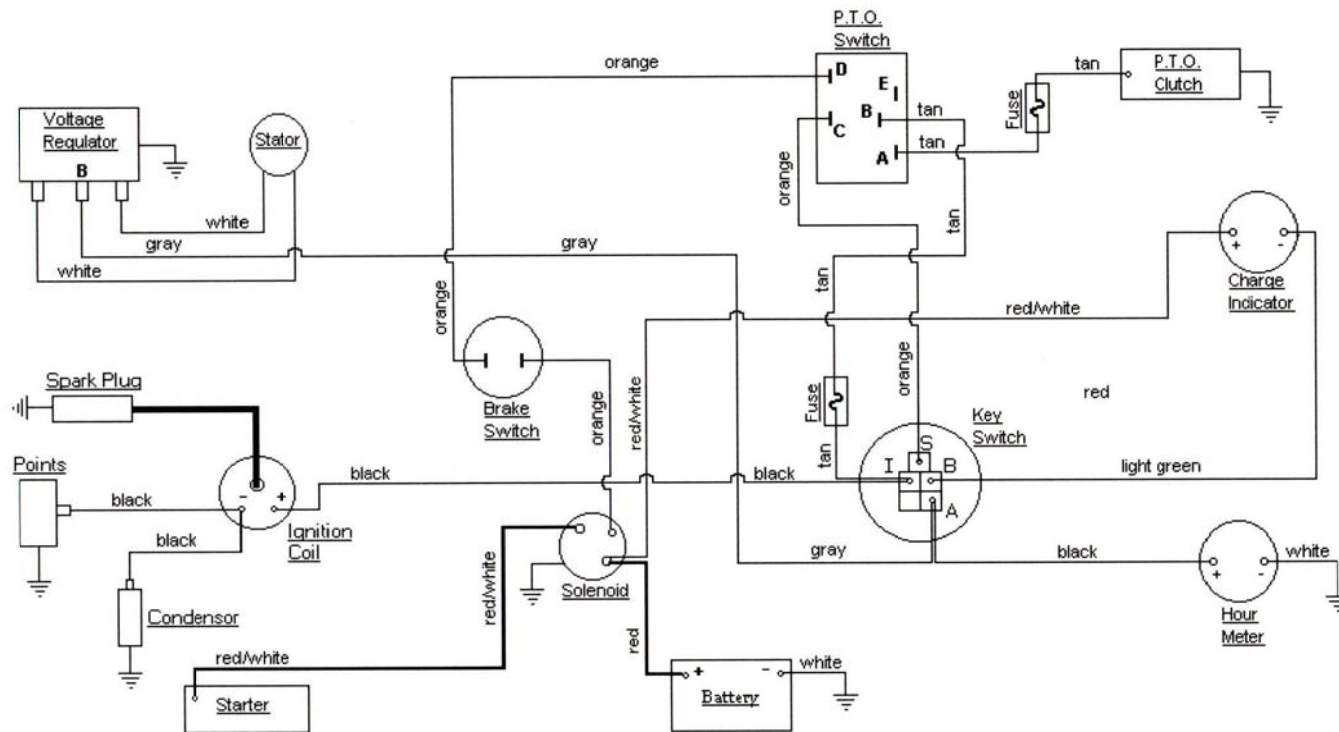


# CUBCADETPARTSNMORE.COM

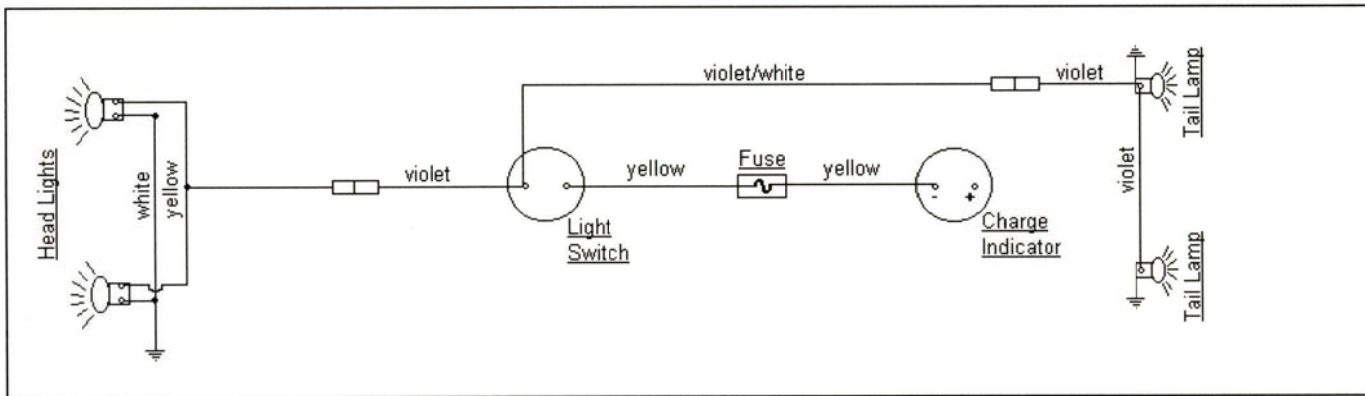
## 515-266-7944



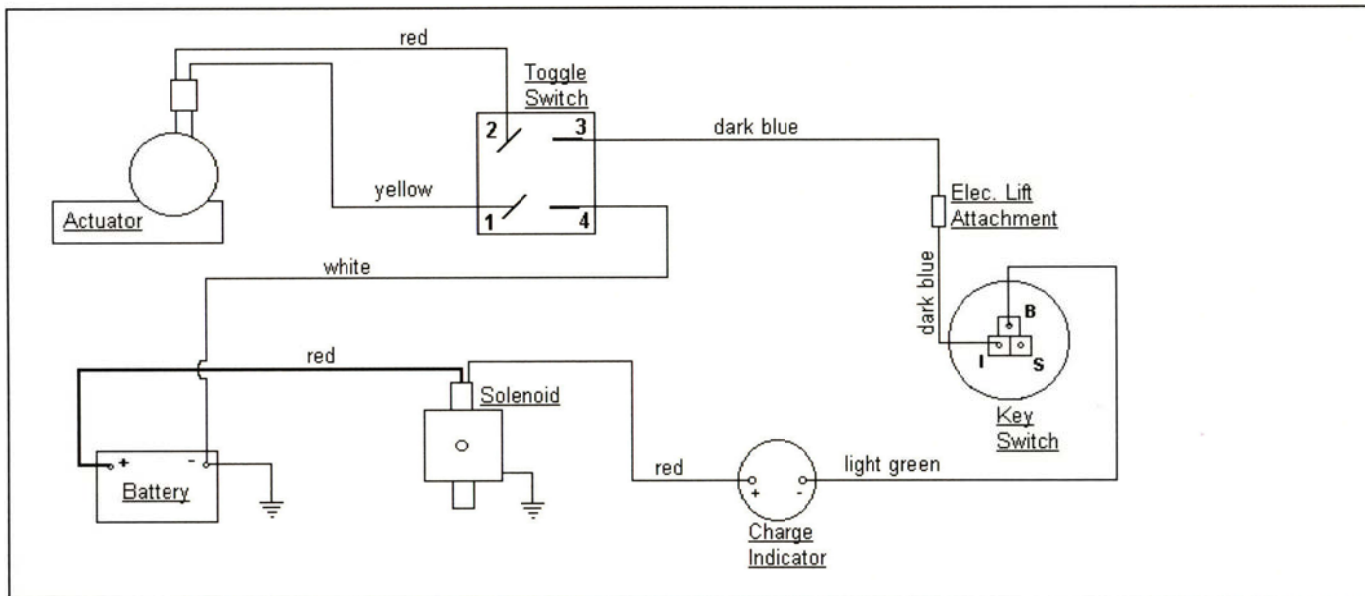
P.T.O. SWITCH	
OFF	B+E, C+D
ON	B+A

KEY SWITCH	
OFF	NONE
RUN	B+I+A
START	B+I+S

**MODEL 800**



Electric Lighting Wiring Diagram.



Electric Lift Wiring Diagram.