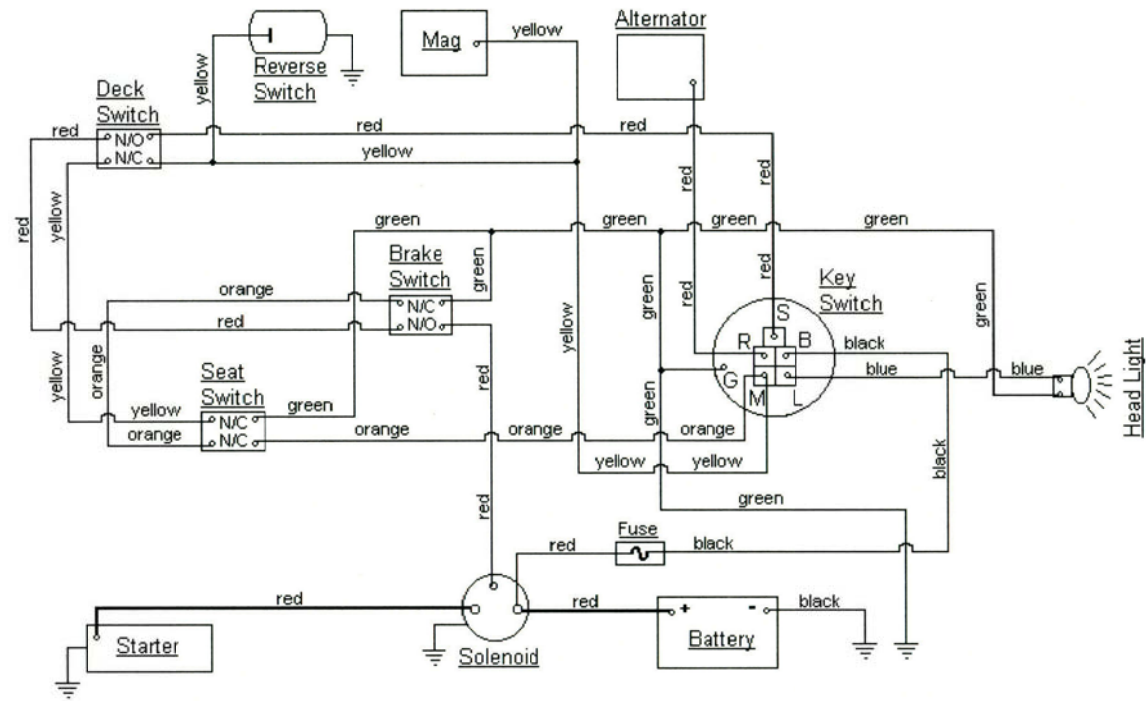


CUBCADETPARTSNMORE.COM

515-266-7944



KEY SWITCH	
OFF	M+G
RUN w/LIGHTS	B+L+R
RUN	B+R
START	B+S

MODEL 800
(1990-1991)