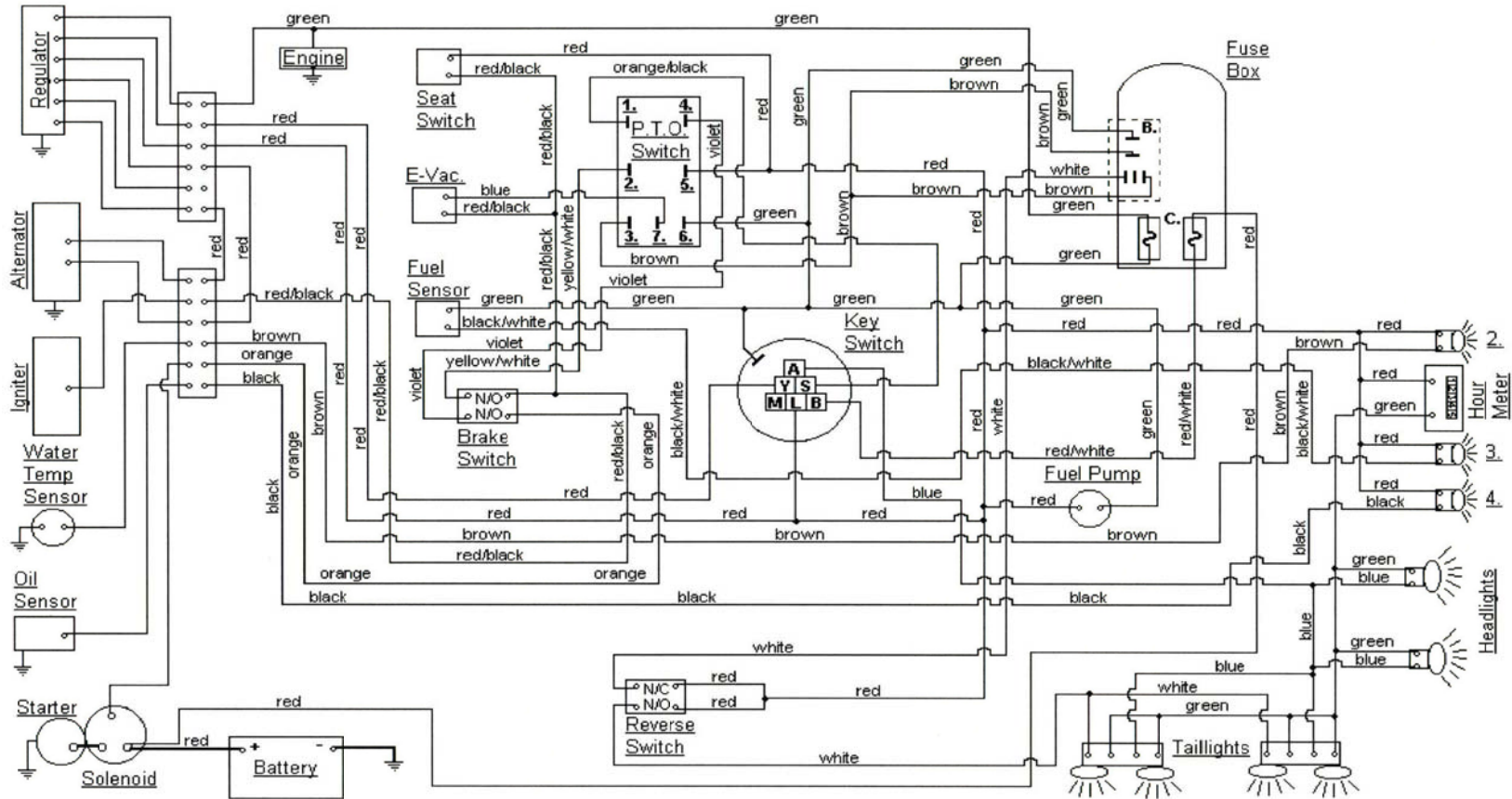


CUBCADETPARTSNMORE.COM

515-266-7944



KEY SWITCH

OFF	M+G
RUN w/LIGHTS	B+A+L+Y
RUN	B+L
START	B+L+S

DASH LIGHTS

2:	WATER TEMP
3:	LOW FUEL
4:	LOW OIL

FUSE BOX

B:	RELAY
C:	FUSES