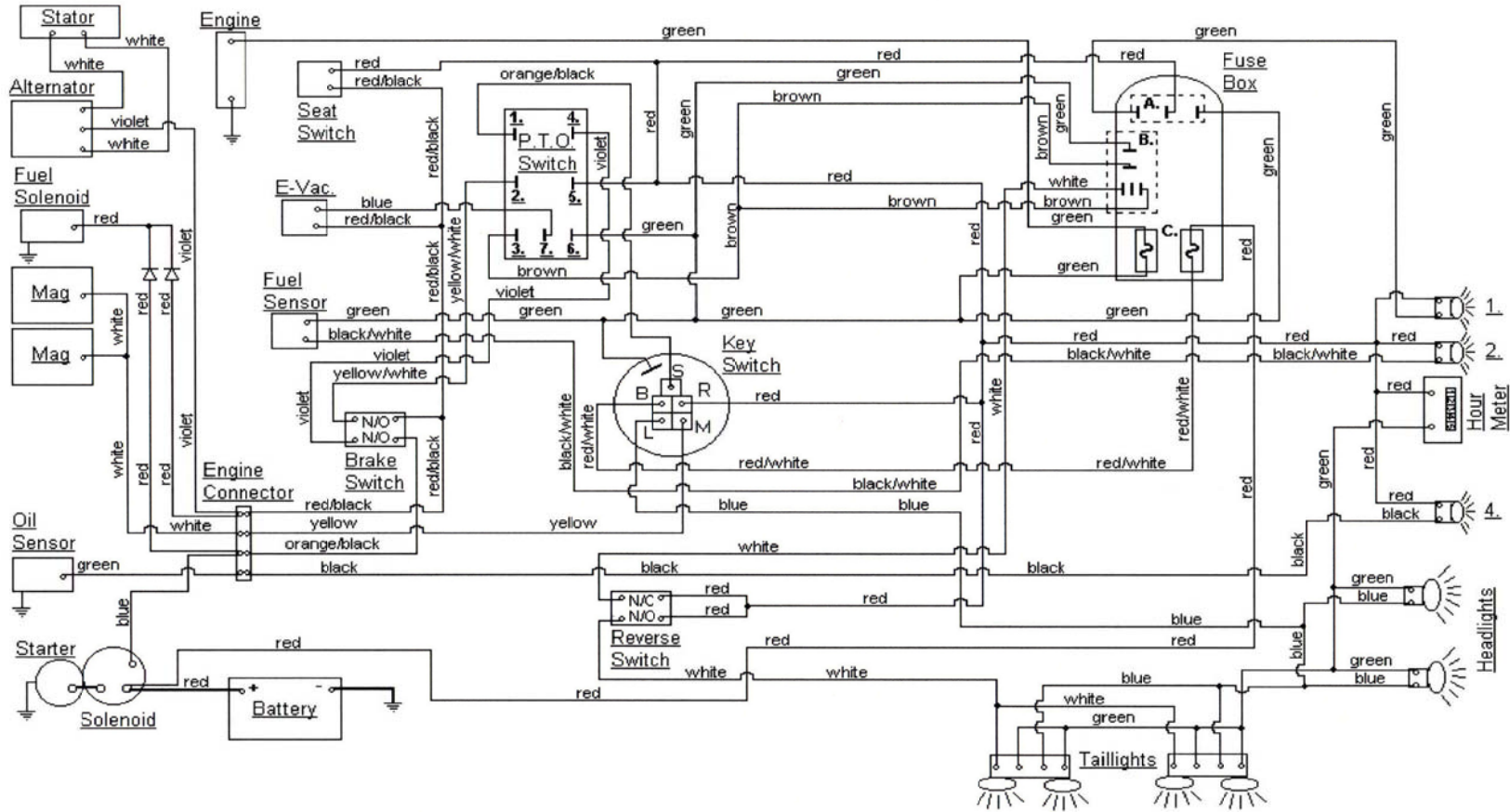


MODEL 3186 (1999)



KEY SWITCH

OFF	M+G
RUN w/LIGHTS	B+L+R
RUN	B+R
START	B+S

DASH LIGHTS

1:	LOW VOLTAGE
2:	LOW FUEL
4:	LOW OIL

FUSE BOX

A:	VOLTAGE SENSOR
B:	RELAY
C:	FUSES