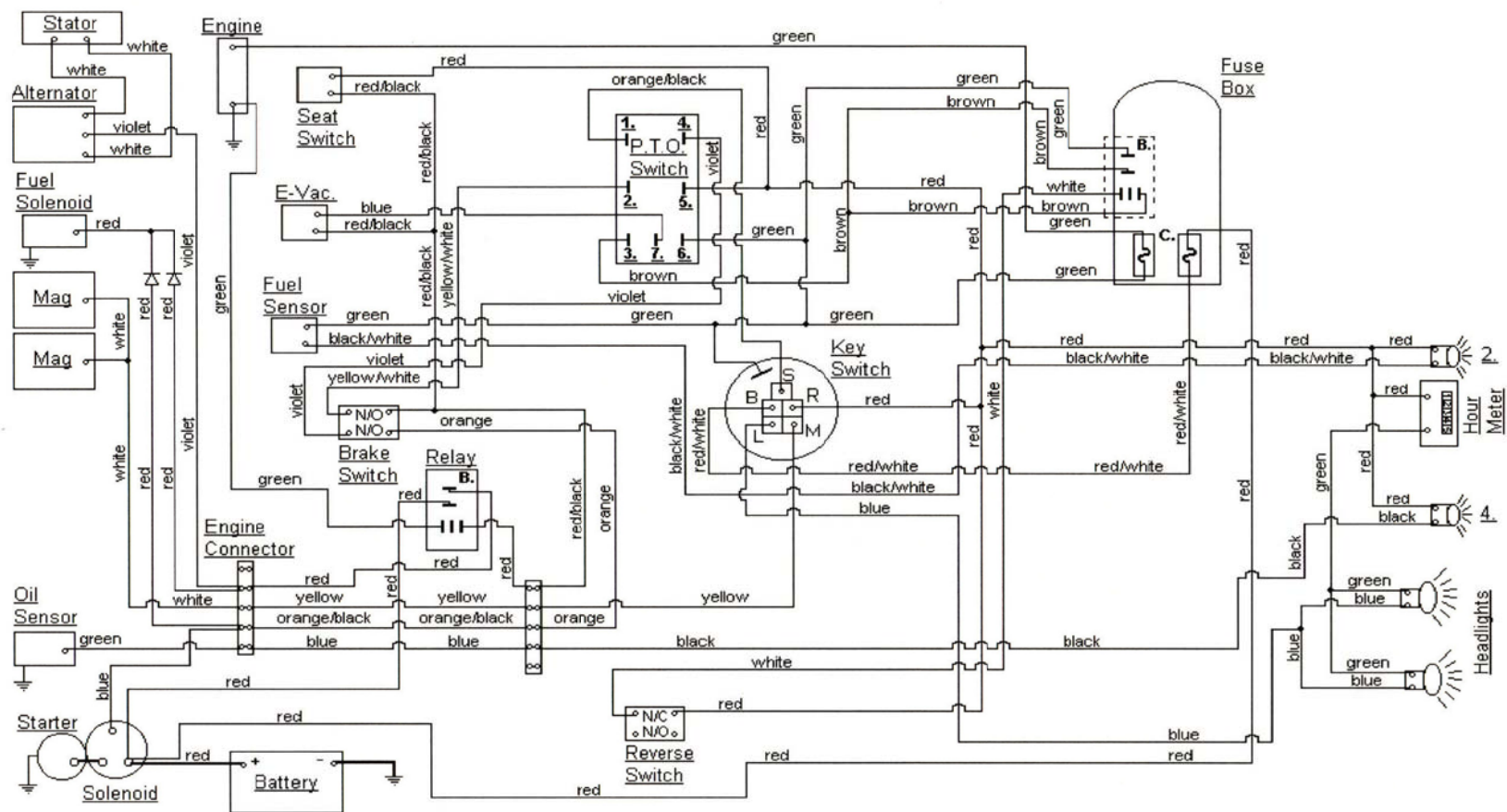


MODEL 3184 (2001)



KEY SWITCH

OFF	M+G
RUN w/LIGHTS	B+L+R
RUN	B+R
START	B+S

DASH LIGHTS

2:	LOW FUEL
4:	LOW OIL

FUSE BOX

B:	RELAY
C:	FUSES